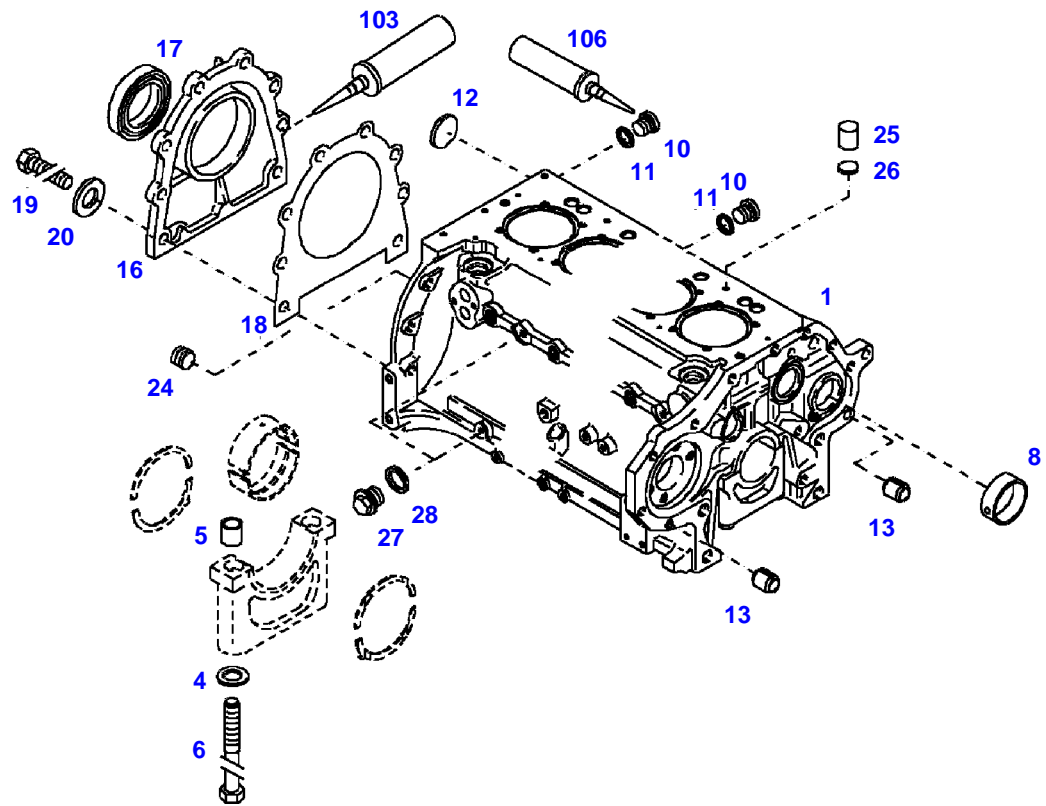


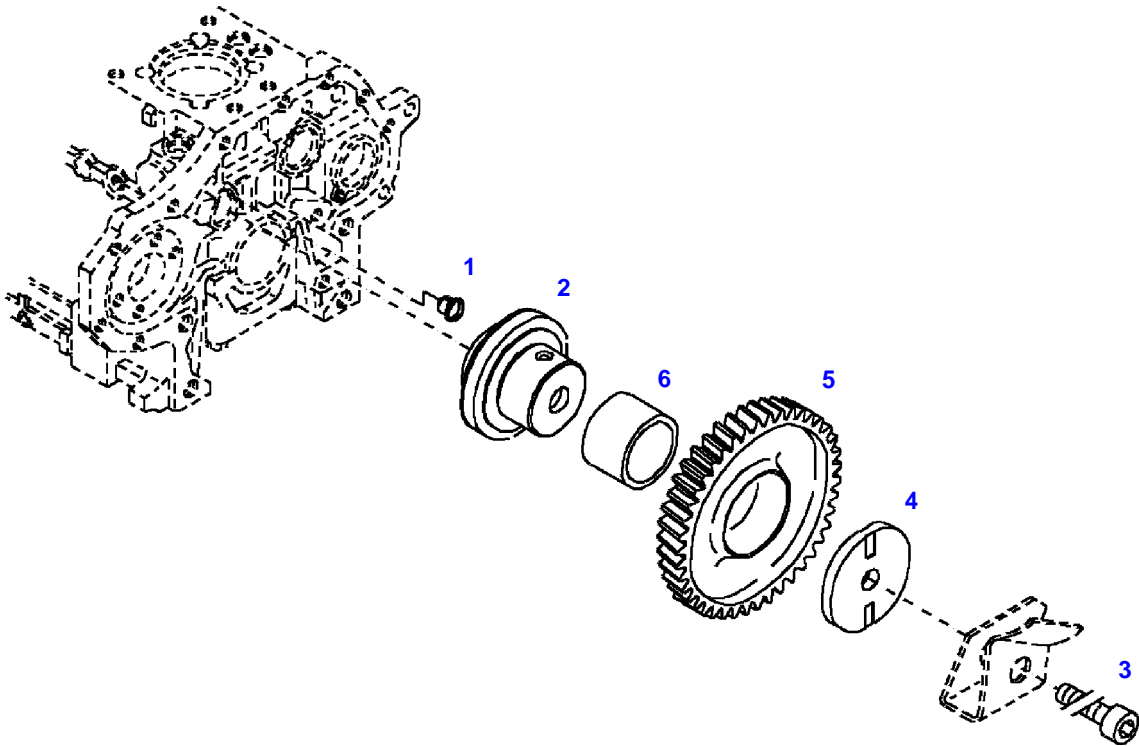
<b>Page Number</b>	<b>Page Title</b>	<b>Page Reference</b>
01-000-TOC	ENGINE, FUEL AND EXHAUST SYSTEM	01-000-TOC
02-000-TOC	AXLES	02-000-TOC
03-000-TOC	STEERING SYSTEM	03-000-TOC
04-000-TOC	DRIVE TRAIN SYSTEM	04-000-TOC
05-000-TOC	COMPRESSED AIR SYSTEM	05-000-TOC
06-000-TOC	HYDRAULIC SYSTEM	06-000-TOC
07-000-TOC	ELECTRICAL SYSTEM	07-000-TOC
08-000-TOC	CAB	08-000-TOC
09-000-TOC	AIR CONDITIONING AND HEATING SYSTEM	09-000-TOC
10-000-TOC	CHASSIS	10-000-TOC
11-000-TOC	WHEELS	11-000-TOC
12-000-TOC	IMPLEMENT LIFT SYSTEM FRONT	12-000-TOC
13-000-TOC	IMPLEMENT LIFT SYSTEM REAR	13-000-TOC
14-000-TOC	FRONT/REAR LOADERS	14-000-TOC
15-000-TOC	ACCESSORIES	15-000-TOC

FENDT 208S (328/00101-99999)  
33510



033510

Item	Part Number	Qty	Description Comments	Technical Specification
	72430037	1	DIESEL ENGINE ENGINE NEW <-- 328/0101 --> 328/0200 <-- 328/1001 --> 328/2047 <-- Z213.202.010.020 ENGINE EXCHANGE <>	
	72436452	1	DIESEL ENGINE ENGINE NEW <-- 328/2048 --> 328/3052 <-- Z213.202.010.030 ENGINE EXCHANGE	F329
	72438711	1	DIESEL ENGINE ENGINE NEW <-- 328/3053 --> 328/3125 <-- Z213.202.010.040 ENGINE EXCHANGE	F329
	72439800	1	DIESEL ENGINE <-- 328/3126	F328
1	72431548	1	CRANKCASE ><4-6,8,10-13,24,27,28	
4	72323682	10	DISC	
5	72344342	10	ADAPTER BUSH	
6	72344343	10	HEXAGONAL HEAD BOLT	
8	72344344	1	BUSH	
10	72427167	5	SCREW	DIN 908 M12 X 1,5-ST-A3
11	72315090	5	SEALING WASHER	DIN 7603 A12X15,5-CU
12	72323690	1	LOCKING DISC	
13	72323573	2	TENSIONER BUSHING	
16	72324099	1	COVER	
17	72425119	1	SHAFT SEAL	
18	72324291	1	SEAL	
19	72315650	8	HEXAGONAL HEAD BOLT	DIN 933 M8 X 20-8.8A3L DIN 125-8,4-ST.A3L
20	72311788	8	DISC	
24	72431459	2	SCREW	
25	72323592	3	PLUG	
26	72323572	3	DISC	
27	72374942	1	PLUG	DIN 7604 CM10X1-ST
28	72315088	1	SEALING WASHER	DIN 7603 A10X13,5-CU TEROST-63S
103	72311273	1	SEALING COMPOUND	
106	72431547	1	SEALING COMPOUND	



033511

---

Fendt

FENDT 208S (328/00101-99999)

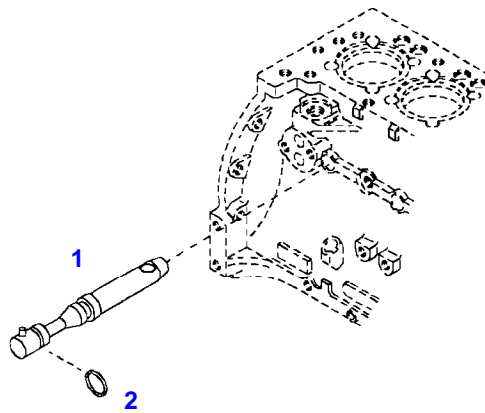
F328000

CRANKCASE

Page01-0002

---

Item	Part Number	Qty	Description Comments
			<b>INTERM. GEAR WHEEL</b>
1	72344346	1	TENSIONER BUSHING
2	72344347	1	PIVOT
3	72324090	1	SOCKET HEAD BOLT
4	72324457	1	DISC
5	72420823	1	INTERMEDIATE GEAR ><6
6	72324455	1	BUSH



040154

---

Fendt

FENDT 208S (328/00101-99999)

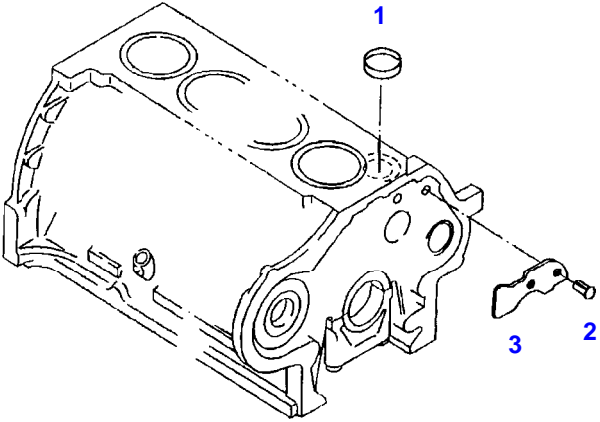
F328000

CRANKCASE

Page01-0003

---

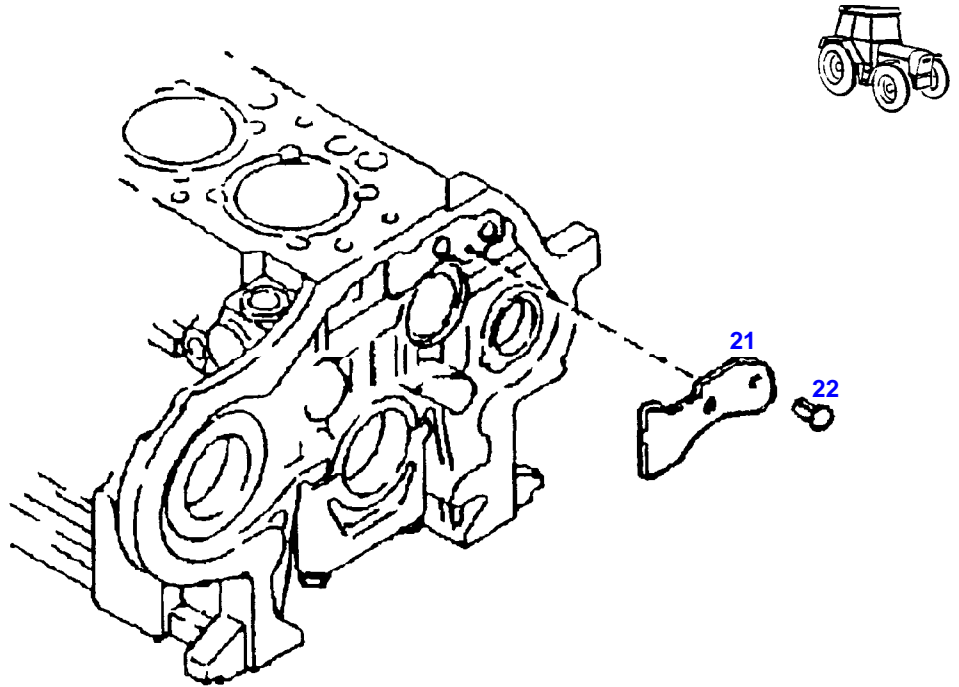
Item	Part Number	Qty	Description Comments
			<b>NOZZLE</b>
1	72324217	4	SPRAY NOZZLE >> 2
2	72323628	4	SEAL



040097



Item	Part Number	Qty	Description Comments	Technical Specification
			LOCKING PLUG <-- 328/0101 --> 328/0200 <-- 328/1001 --> 328/2047	
1	72323653	1	CORE HOLE PLUG	
2	72372707	2	SLOTTED PIN	DIN 1476-6X10-ST
3	72344345	1	BAFFLE	



12459

---

Fendt

FENDT 208S (328/00101-99999)

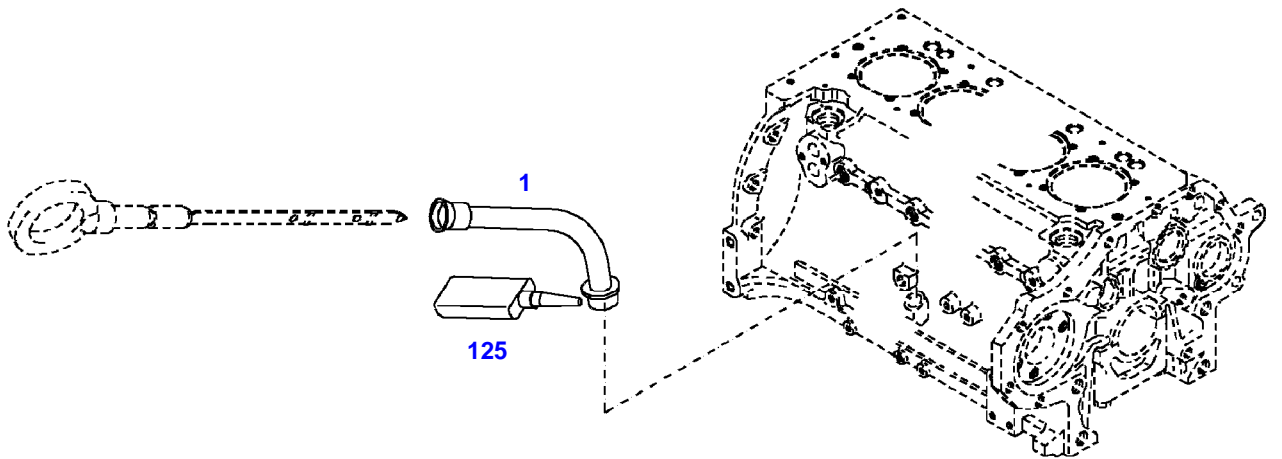
F328000

CRANKCASE

Page01-0005

---

Item	Part Number	Qty	Description Comments	Technical Specification
			<b>BLANKING PARTS</b> <-- 328/2048	
21	72344345	1	BAFFLE	
22	72372707	2	SLOTTED PIN	DIN 1476-6X10-ST



033512

---

Fendt

FENDT 208S (328/00101-99999)

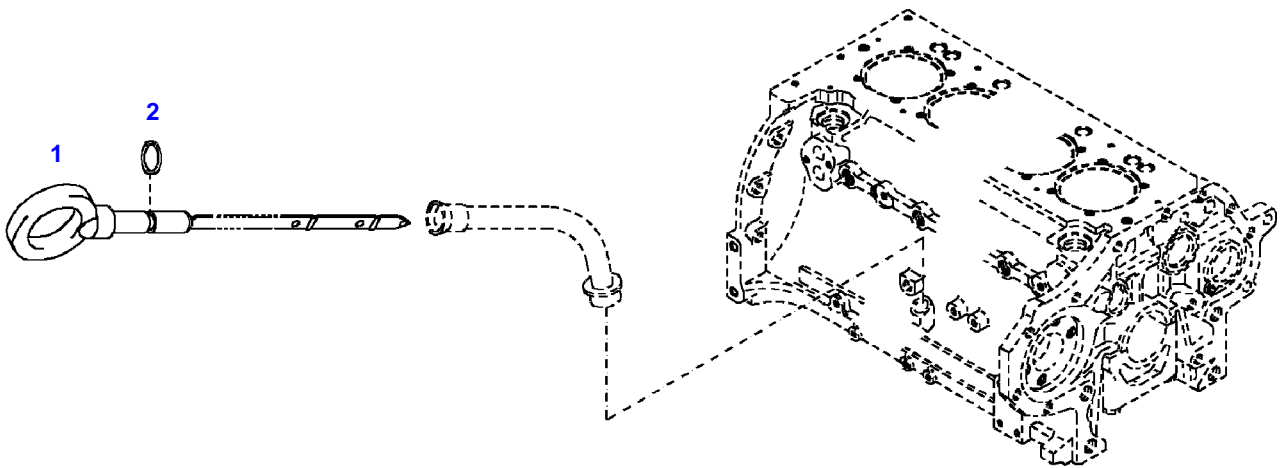
F328000

OIL DIPSTICK

Page01-0006

---

Item	Part Number	Qty	Description Comments
			<b>GUIDE TUBE</b>
1	72428343	1	GUIDE TUBE
125	72415445	1	SAFE.LOCK AGENT



033528

---

Fendt

FENDT 208S (328/00101-99999)

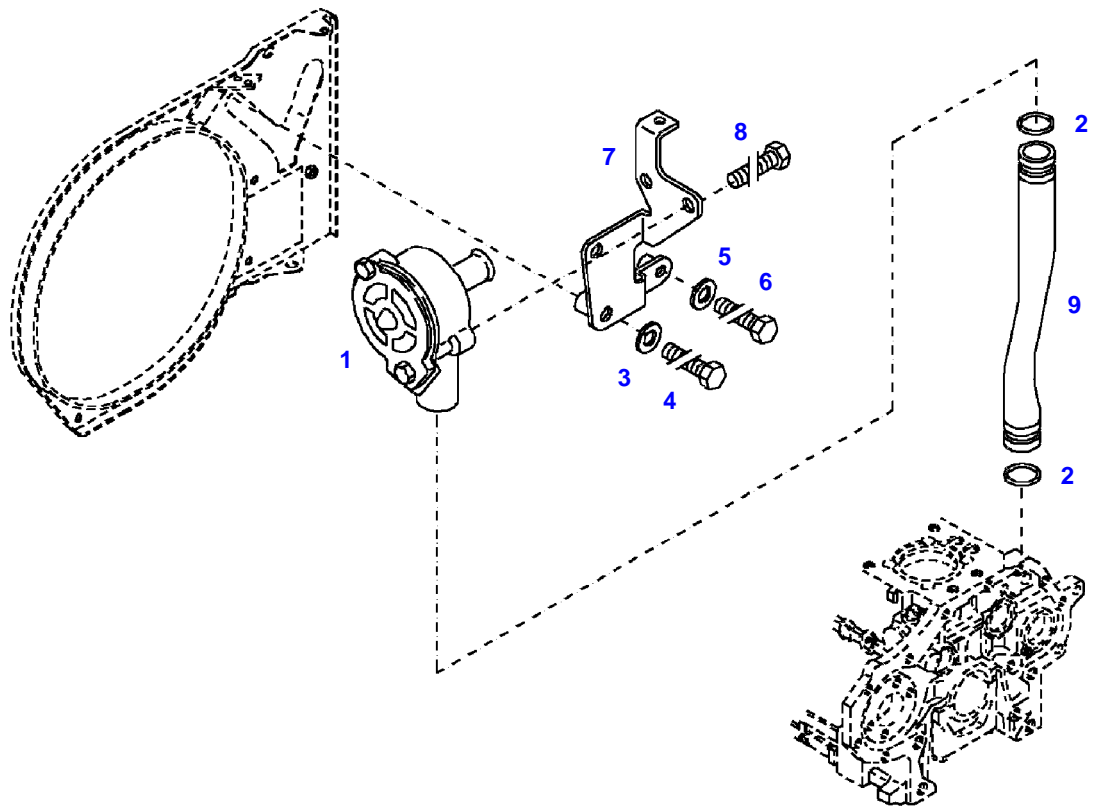
F328000

OIL DIPSTICK

Page01-0007

---

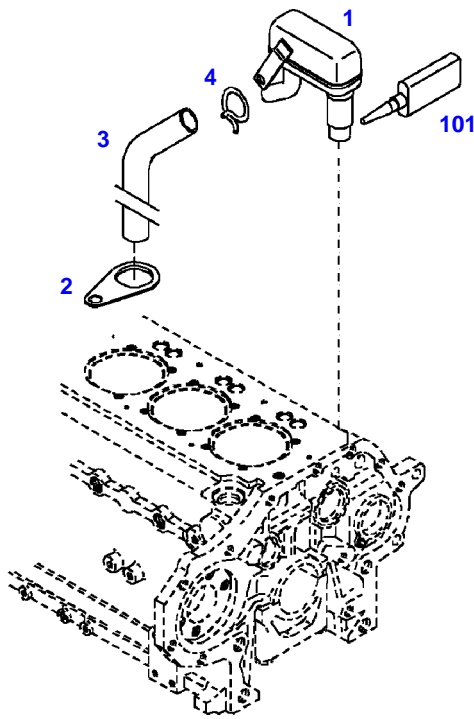
Item	Part Number	Qty	Description Comments
1	72451107	1	DIPSTICK ><2
2	72323559	1	PERMANENT REINFORCEMENT



033513



Item	Part Number	Qty	Description Comments	Technical Specification
			<-- 328/0101 --> 328/0200 <-- 328/1001 --> 328/2047	
1	72615403	1	BLEEDER VALVE	
2	72416005	2	SEAL 24X3MM	
3	72611358	1	DISC	
4	72427710	1	HEXAGONAL HEAD BOLT M8X35	
5	72416026	1	DISC	
6	72427711	1	HEXAGONAL HEAD BOLT M6X30	
7	72431551	1	RETAINER	
8	72315650	2	HEXAGONAL HEAD BOLT	DIN 933 M8 X 20-8.8A3L
9	72431552	1	BREATHER PIPE	



035121

---

Fendt

FENDT 208S (328/00101-99999)

F328000

CRANKCASE BREATHER

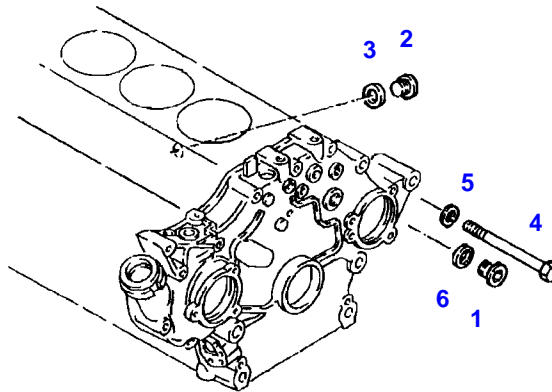
Page01-0009

---

Item	Part Number	Qty	Description Comments
			<-- 328/2048
1	72451208	1	BLEEDER VALVE
2	72426064	1	RETAINING SHEET METAL
3	72451209	1	HOSE
4	72431275	1	CLAMP
101	72431276	1	SEALING COMPOUND

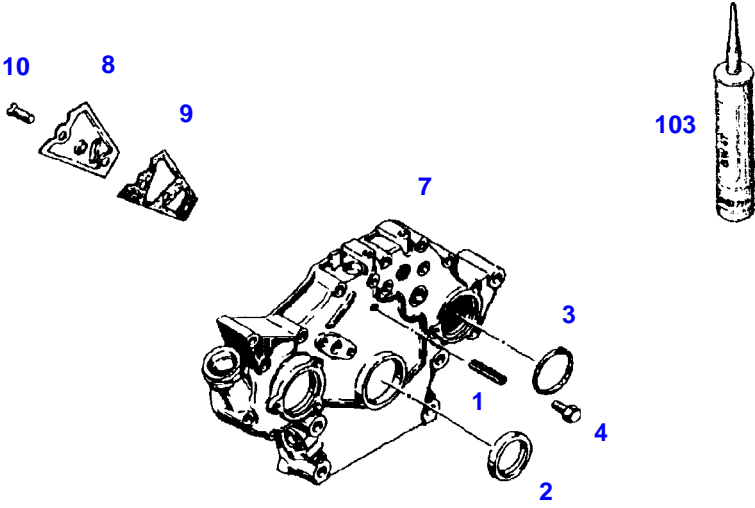
FENDT 208S (328/00101-99999)  
40099

---



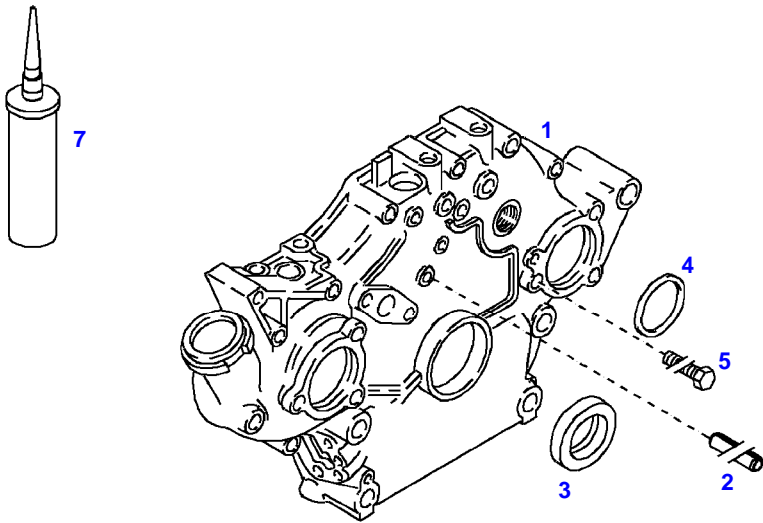
040099

Item	Part Number	Qty	Description Comments	Technical Specification
<b>BLANKING PARTS</b>				
1	72315440	1	PLUG SCREW	DIN 908 M18 X 1,5-ST
2	72427167	1	SCREW	DIN 908 M12 X 1,5-ST-A3
3	72315090	1	SEALING WASHER	DIN 7603 A12X15,5-CU
4	72315534	2	HEXAGONAL HEAD BOLT	DIN 931 M8 X 70-8.8
5	72311788	1	DISC	DIN 125-8,4-ST.A3L
6	72315100	1	SEALING WASHER	DIN 7603 A18X24-CU



040155

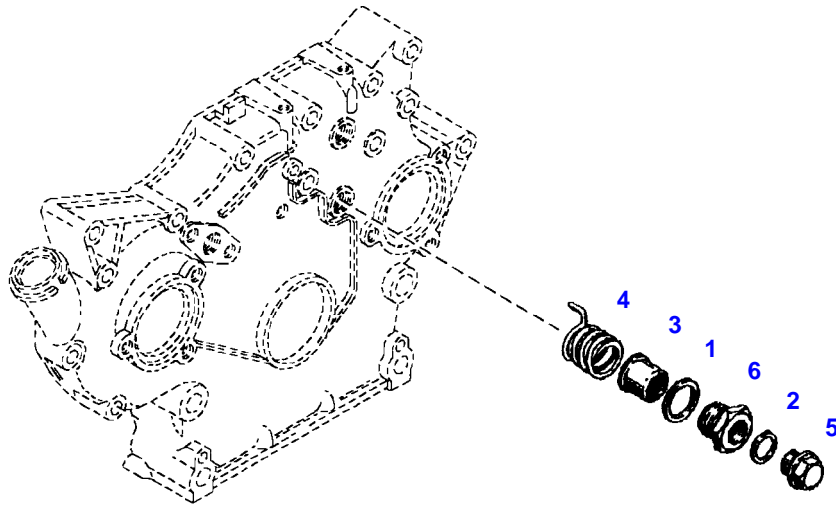
Item	Part Number	Qty	Description Comments	Technical Specification
			<-- 328/0101 --> 328/0200 <-- 328/1001 --> 328/2047	
1	72375153	1	TENSIONING PIN	ISO8752-6X45-A-ST-ZNPHR10F-KOE
2	72317651	1	SHAFT SEAL	
3	72323566	1	PERMANENT REINFORCEMENT	
4	72374417	1	HEXAGONAL HEAD BOLT	DIN 933 M8X8-8.8
7	72431553	1	CRANKCASE END COVER	
8	72416037	1	COVER PANEL	
9	72416038	1	SEAL	
10	72418423	3	THREAD-CUTTING TAPPING SCREW	DIN 7513-FE M6X16-ST
103	72311273	1	SEALING COMPOUND	TEROST-63S



035122



Item	Part Number	Qty	Description Comments	Technical Specification
			<-- 328/2048	
1	72323843	1	COVER	
2	72375153	1	TENSIONING PIN	ISO8752-6X45-A-ST-ZNPHR10F-KOE
3	72317651	1	SHAFT SEAL	
4	72323566	1	PERMANENT REINFORCEMENT	
5	72374417	1	HEXAGONAL HEAD BOLT	DIN 933 M8X8-8.8
7	72311273	1	SEALING COMPOUND	TEROST-63S

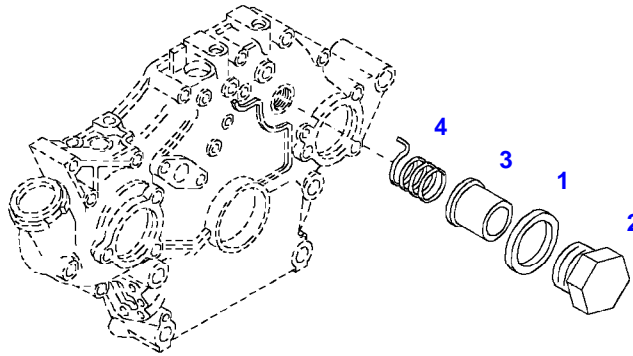


040107

Item	Part Number	Qty	Description Comments	Technical Specification
			<b>BLANKING PARTS</b>	
			<b>ENGINE NUMBER</b>	
			--> 8674078	
1	72376036	1	SEALING WASHER	DIN7603 A24X30-ALU
2	72315099	1	SEALING WASHER	DIN 7603 A18X22-CU
3	72323827	1	START-UP CAP	
4	72324159	1	COMPRESSION SPRING	
5	72315801	1	SCREW	DIN 7604-AM18 X 1,5-ST A3L
6	72324020	1	SCREW	

FENDT 208S (328/00101-99999)  
40416

---



040416

---

Fendt

FENDT 208S (328/00101-99999)

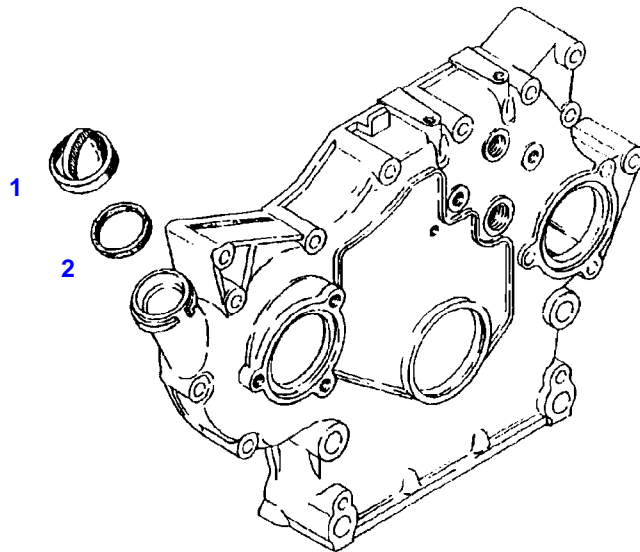
F328000

FRONT COVER

Page01-0014

---

Item	Part Number	Qty	Description Comments	Technical Specification
			<b>BLANKING PARTS</b> <b>ENGINE NUMBER</b> <b>&lt;-- 8674079</b>	
1	72376036	1	SEALING WASHER	DIN7603 A24X30-ALU
2	72323829	1	SCREW	
3	72323827	1	START-UP CAP	
4	72324159	1	COMPRESSION SPRING	



040104

---

Fendt

FENDT 208S (328/00101-99999)

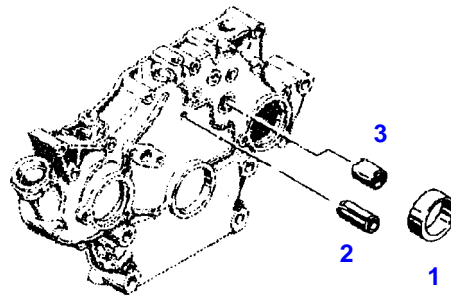
F328000

FRONT COVER

Page01-0015

---

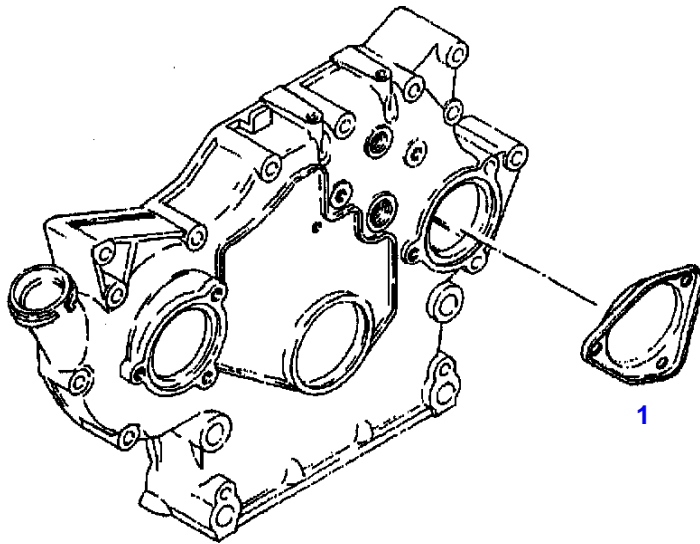
Item	Part Number	Qty	Description Comments
			<b>LOCKING</b>
1	72323709	1	COVER ><2
2	72323708	1	SEALING WASHER



040105



Item	Part Number	Qty	Description Comments	Technical Specification
			CLAMPING PARTS ENGINE NUMBER --> 8701893	
1	72323976	1	RING	
2	72313818	1	TENSIONING PIN	ISO8752-6X20-A-ST-ZNPHR10F-KOE
3	72324243	1	DRIVER	



040106

---

Fendt

FENDT 208S (328/00101-99999)

F328000

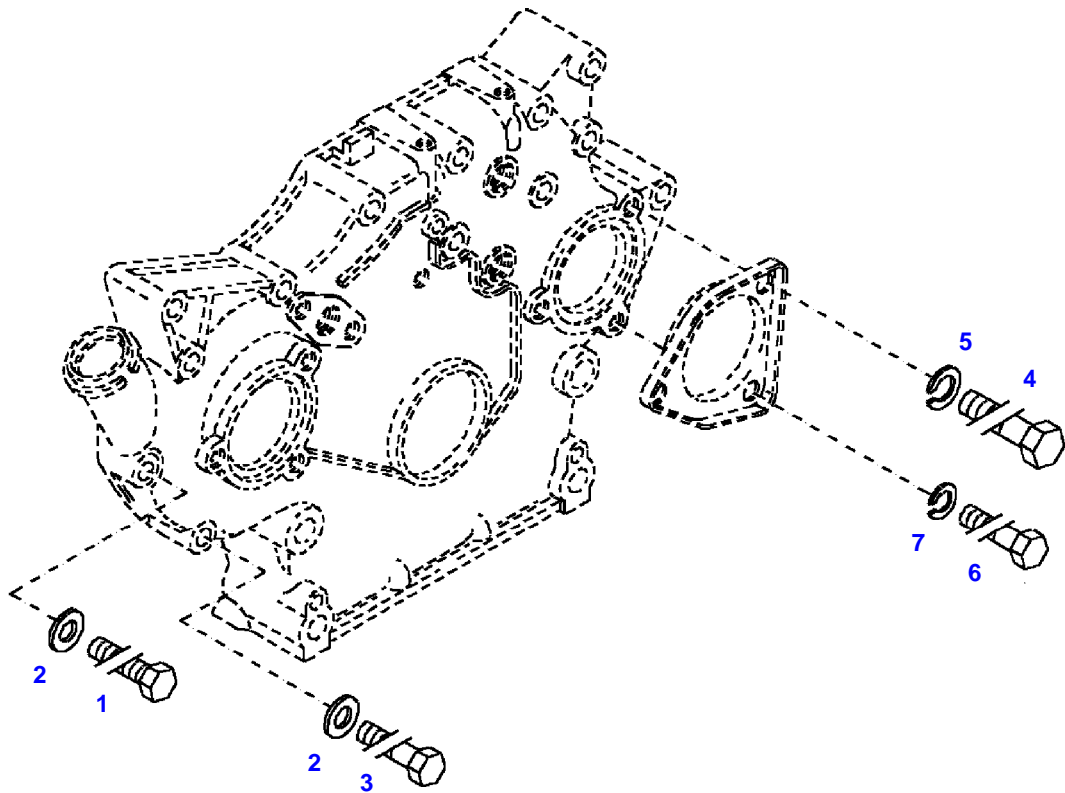
FRONT COVER

Page01-0017

---

Item	Part Number	Qty	Description Comments
			CLAMPING PARTS
1	72324418	1	COVER

033521



Item	Part Number	Qty	Description Comments	Technical Specification
<b>FASTENINGS</b>				
1	72606335	1	HEXAGONAL HEAD BOLT	M8X60
2	72311788	2	DISC	DIN 125-8,4-ST.A3L
3	72315534	1	HEXAGONAL HEAD BOLT	DIN 931 M8 X 70-8.8
4	72374183	1	HEXAGONAL HEAD BOLT	DIN 931 M10X75-8.8
5	72315054	1	SPLIT WASHER	FWN 65208-10-A3L
6	72315537	1	HEXAGONAL HEAD BOLT	DIN 931 M8X85-8.8A3L
7	72315053	1	SPLIT WASHER	FWN 65208-8-A3L

Thank you so much for reading.  
Please click the “Buy Now!”  
button below to download the  
complete manual.



After you pay.

You can download the most  
perfect and complete manual in  
the world immediately.

Our support email:

[ebooklibonline@outlook.com](mailto:ebooklibonline@outlook.com)