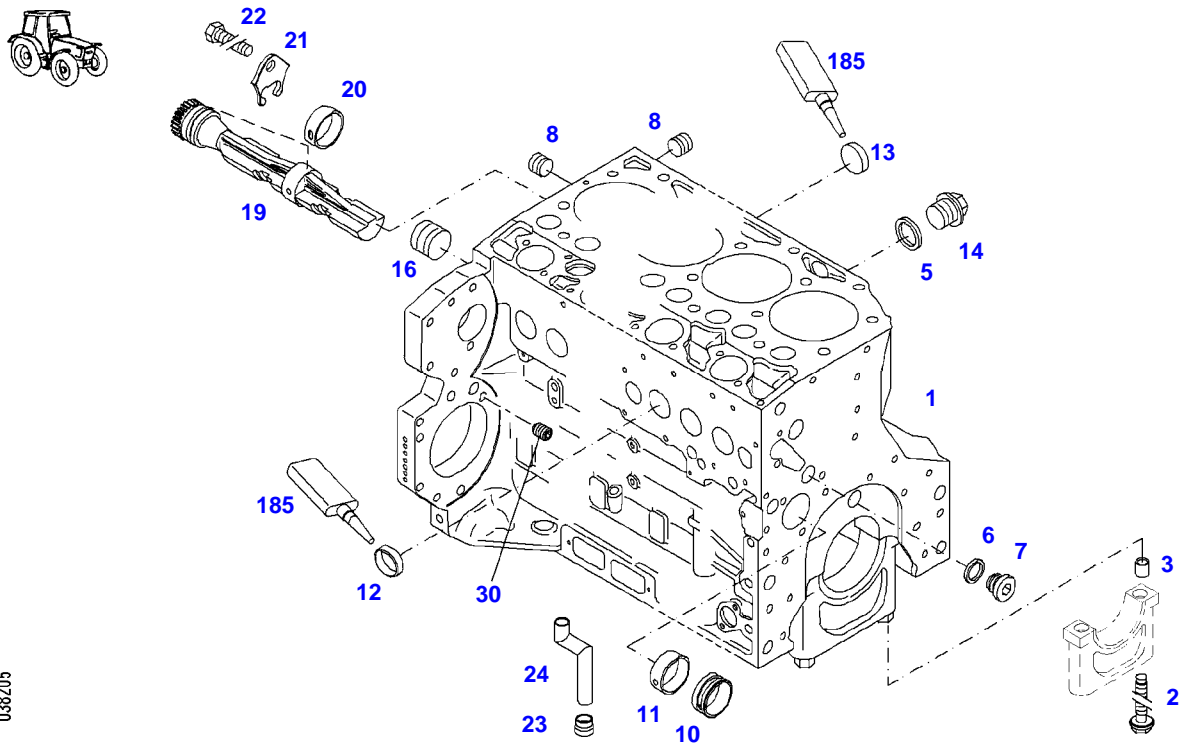


<b>Page Number</b>	<b>Page Title</b>	<b>Page Reference</b>
01-000-TOC	ENGINE, FUEL AND EXHAUST SYSTEM	01-000-TOC
02-000-TOC	AXLES	02-000-TOC
03-000-TOC	STEERING SYSTEM	03-000-TOC
04-000-TOC	DRIVE TRAIN SYSTEM	04-000-TOC
05-000-TOC	COMPRESSED AIR SYSTEM	05-000-TOC
06-000-TOC	HYDRAULIC SYSTEM	06-000-TOC
07-000-TOC	ELECTRICAL SYSTEM	07-000-TOC
08-000-TOC	CAB	08-000-TOC
09-000-TOC	AIR CONDITIONING AND HEATING SYSTEM	09-000-TOC
10-000-TOC	CHASSIS	10-000-TOC
11-000-TOC	WHEELS	11-000-TOC
12-000-TOC	IMPLEMENT LIFT SYSTEM FRONT	12-000-TOC
13-000-TOC	IMPLEMENT LIFT SYSTEM REAR	13-000-TOC
14-000-TOC	FRONT/REAR LOADERS	14-000-TOC
15-000-TOC	ACCESSORIES	15-000-TOC

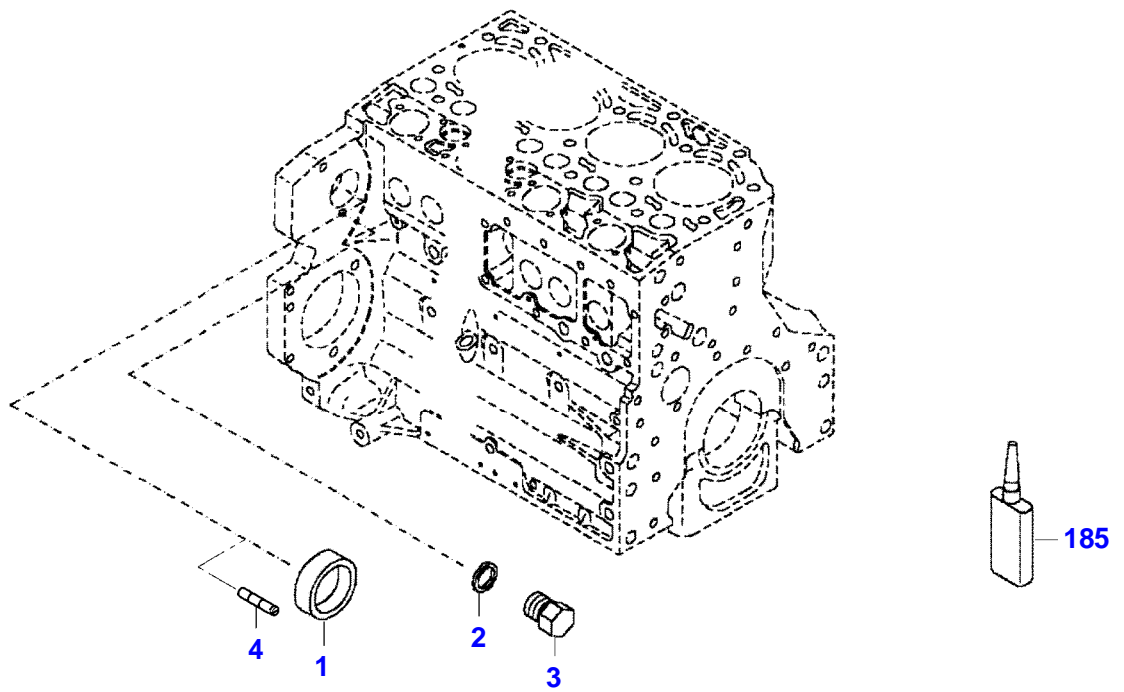
FENDT 311 VARIO (338/00101-99999)  
38205



038205

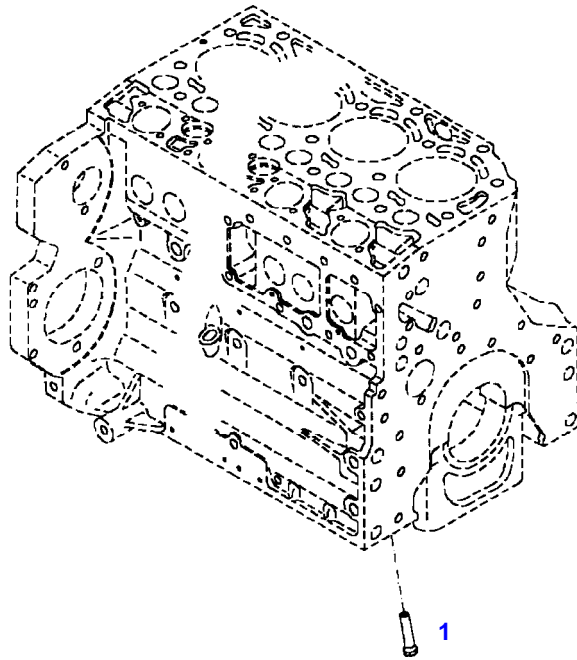
Item	Part Number	Qty	Description Comments	Technical Specification
			<b>ENGINE NUMBER</b> <-- 10401350	
	72437088	1	ENGINE PLEASE ORDER WITH ENGINE NO. ONLY !	TCD2012L044V
	72474243	1	REMANUFACTURED ENGINE ENG.NO. --> 10766783	UNTIL ENGINE NUMBER 10766783
	72609048	1	REMANUFACTURED ENGINE ENG.NO. <-- 10766784	FROM ENGINE NUMBER 10766784
	72604534	1	REMANUFACTURED SHORT BLOCK ENGINE	
1	72439843	1	CRANKCASE ><2,3,5-8,10-14,16,19-24 ENG.NO. --> 11152078	
	72495184	1	CRANKCASE ><2,3,5-8,10-14,16,19-24 ENG.NO. <-- 11152079	
2	72416467	10	HEXAGONAL HEAD BOLT	
3	72344342	10	ADAPTER BUSH	
5	72315095	2	SEALING WASHER	DIN 7603 A14X20-CU
6	72455567	1	SEALING WASHER	DIN 7603 D22X27-CU
7	72455559	1	PLUG SCREW	
8	72429347	2	SCREW	M14X1,5
10	72416469	4	BEARING BUSHING	
11	72416470	1	BEARING BUSHING	
12	72325325	6	CORE HOLE PLUG	
13	72325326	3	CORE HOLE PLUG	
14	72315799	2	PLUG	DIN 7604 AM14X1,5-A3L
16	72431135	1	LOCKING PLUG	
19	72439854	2	GANG SHAFT	
20	72325339	4	BUSH	
21	72415943	2	THRUST WASHER	
22	72423137	2	HEXAGONAL HEAD BOLT M8X16	
23	72420773	1	LOCKING PART	
24	72436713	1	LINE	
30	72313743	1	THREADED PIN	DIN 913 M10X10-45H
185	72381391	1	THREADLOCKER	LOCTITE 243 10ML

FENDT 311 VARIO (338/00101-99999)  
432327-M-1



432327-M-1

Item	Part Number	Qty	Description Comments	Technical Specification
<b>BLANKING PARTS</b>				
1	72627515	1	CORE HOLE PLUG	
2	72315088	2	SEALING WASHER	DIN 7603 A10X13,5-CU
3	72323677	2	PLUG	
4	72631860	2	SLUG	
185	72325403	1	SAFE.LOCK AGENT	



030004

---

Fendt

FENDT 311 VARIO (338/00101-99999)

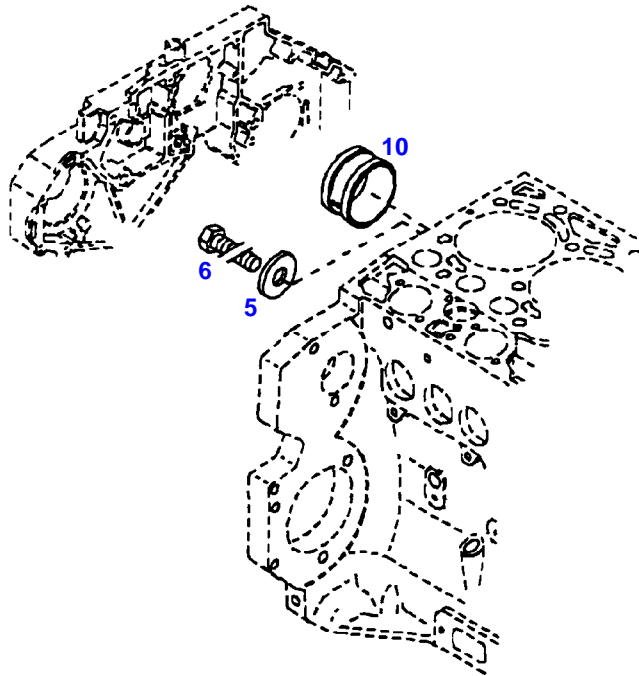
F338000

CRANKCASE

Page01-0004

---

Item	Part Number	Qty	Description Comments
			PISTON COOL.NOZZLE
1	72415140	4	PISTON COOLING JET



12574



---

Fendt

FENDT 311 VARIO (338/00101-99999)

F338000

CRANKCASE

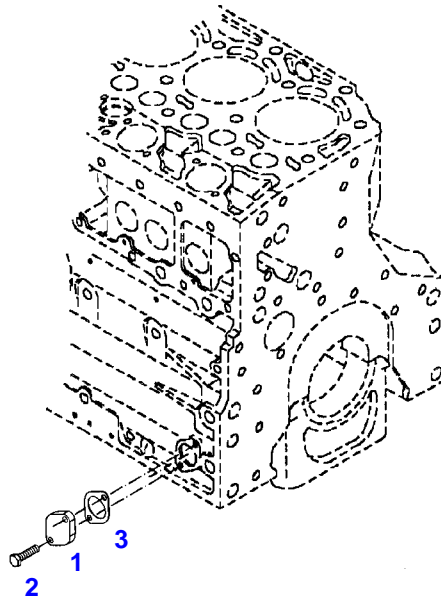
Page01-0005

---

Item	Part Number	Qty	Description Comments
<b>BLANKING PARTS</b>			
5	72415828	1	DISC
6	72426697	1	HEXAGONAL HEAD BOLT
10	72426698	1	BUSH

FENDT 311 VARIO (338/00101-99999)  
31896

---



96810

Fendt

FENDT 311 VARIO (338/00101-99999)

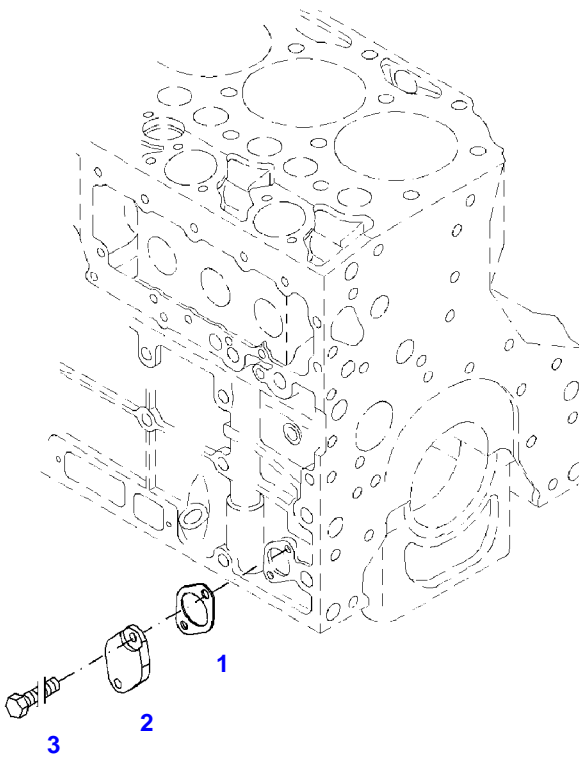
F338000

CRANKCASE

Page01-0006

Item	Part Number	Qty	Description Comments	Technical Specification
			<b>BLANKING PARTS</b> <b>ENGINE NUMBER</b> --> 10418642	
1	72326910	1	COVER NOT NEEDED WITH AIR BRAKE	
2	72415315	2	HEXAGONAL HEAD BOLT NOT NEEDED WITH AIR BRAKE	M8X20
3	72325401	1	SEAL	

FENDT 311 VARIO (338/00101-99999)  
41018

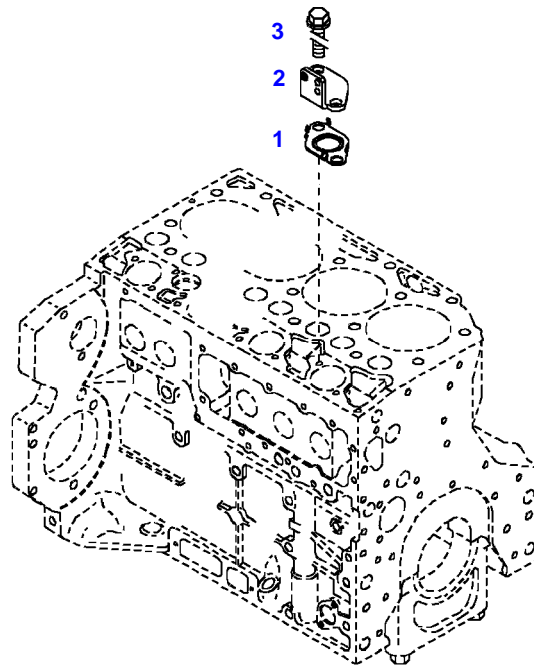


041018

Item	Part Number	Qty	Description Comments	Technical Specification
			<b>BLANKING PARTS</b> <b>ENGINE NUMBER</b> <b>&lt;-- 10418643</b>	
1	72325401	1	SEAL	
2	72439814	1	FLANGE NOT NEEDED WITH AIR BRAKE	
3	72374423	2	HEXAGONAL HEAD BOLT NOT NEEDED WITH AIR BRAKE	DIN 933 M8X20-10.9A4C

FENDT 311 VARIO (338/00101-99999)  
35315

---



035315

---

Fendt

FENDT 311 VARIO (338/00101-99999)

F338000

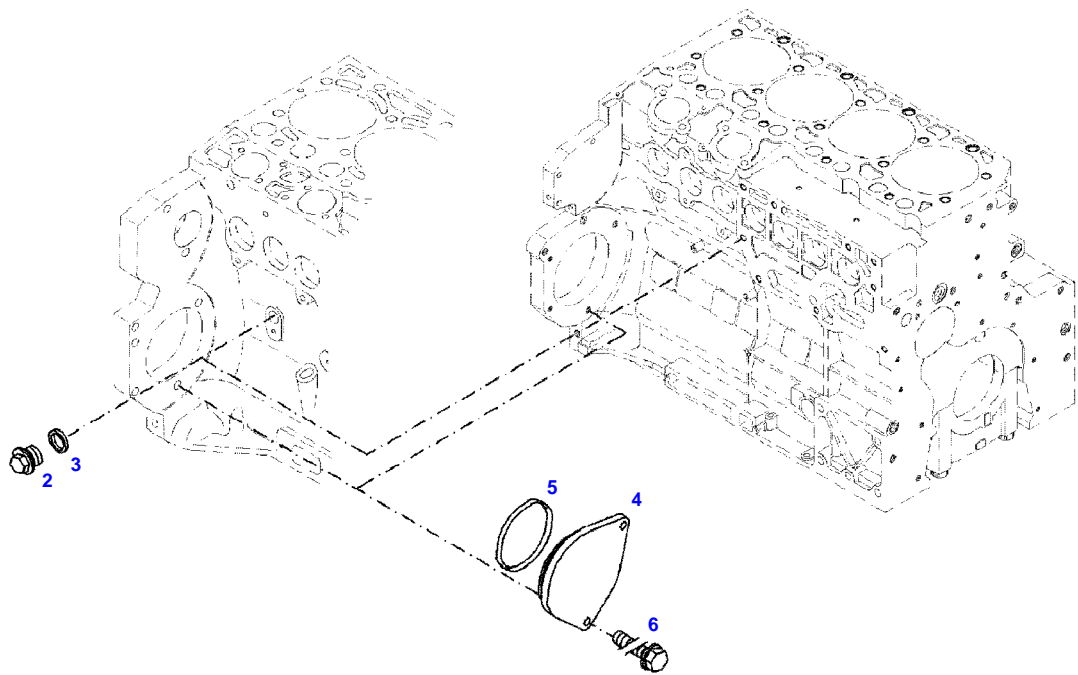
CRANKCASE

Page01-0008

---

Item	Part Number	Qty	Description Comments
<b>BLANKING PARTS</b>			
1	72490265	1	SEAL
2	72436408	1	COVER
3	72415878	2	HEXAGONAL HEAD BOLT M8X16

FENDT 311 VARIO (338/00101-99999)  
F51577



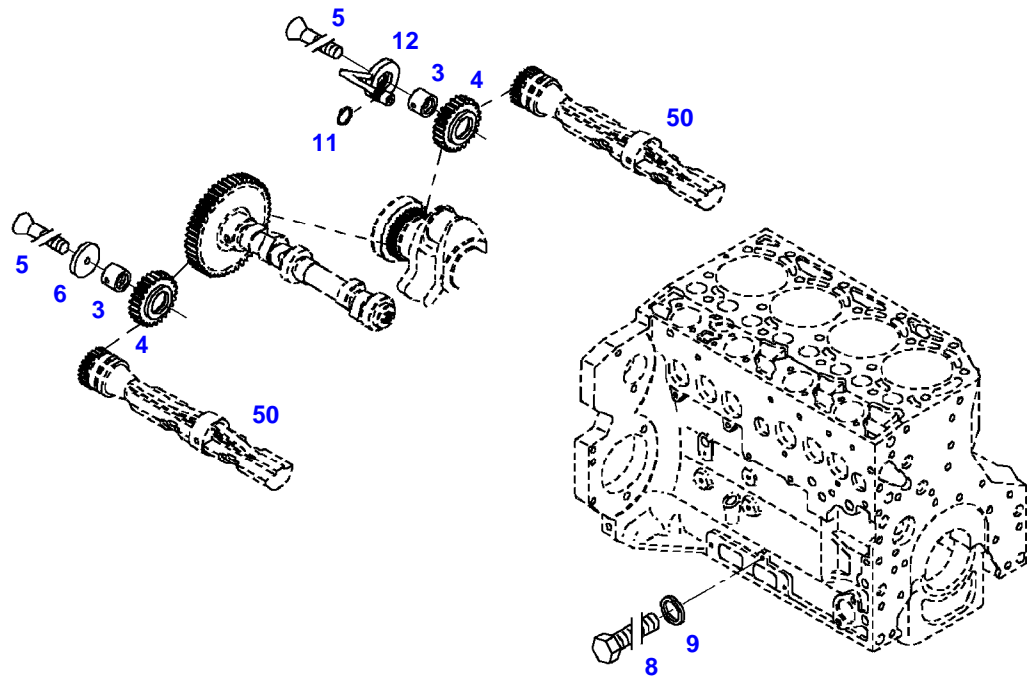
051577





Item	Part Number	Qty	Description Comments	Technical Specification
<b>BLANKING PARTS</b>				
2	72315799	1	PLUG NOT NEEDED WITH AIR BRAKE	DIN 7604 AM14X1,5-A3L
3	72315094	1	SEALING WASHER NOT NEEDED WITH AIR BRAKE	DIN 7603 A14X18-CU
4	72431648	1	COVER NOT NEEDED WITH AIR BRAKE	
5	72416472	1	SEAL 96X4MM NOT NEEDED WITH AIR BRAKE	
6	72438057	2	HEXAGONAL HEAD BOLT NOT NEEDED WITH AIR BRAKE	M10X20

FENDT 311 VARIO (338/00101-99999)  
33867

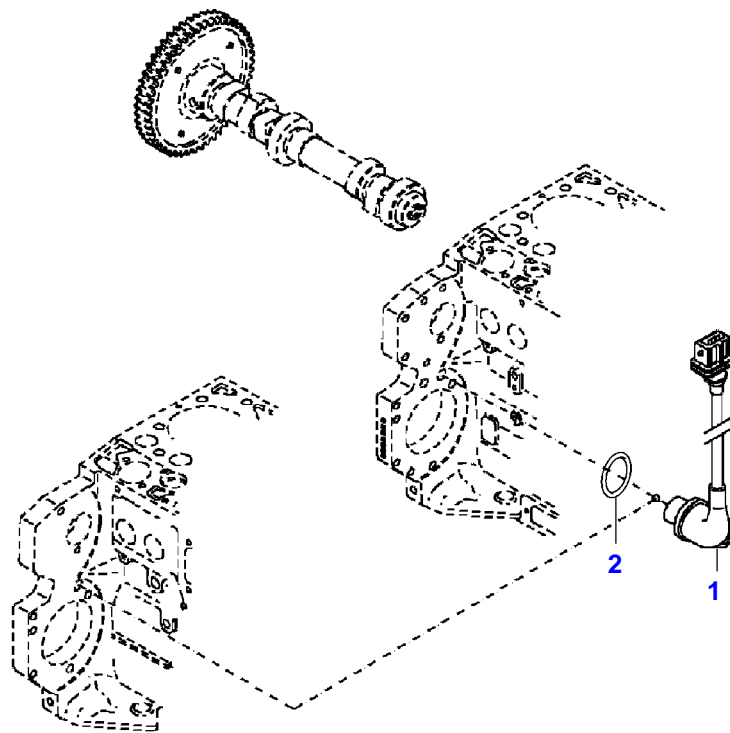


033867

Item	Part Number	Qty	Description Comments	Technical Specification
3	72415940	2	PIVOT	
4	72415941	2	GEAR WHEEL	
5	72423136	2	COUNTERSUNK CAPSCREW M8X45	
6	72415942	1	FIXING SHIM	
8	72315644	2	HEXAGONAL HEAD BOLT	DIN 933 M8X10-8.8A3L
9	72315087	2	SEALING WASHER	DIN 7603 A8X14-CU
11	72423138	1	SEAL 7X1,5MM	
12	72415945	1	PIVOT	
50			SEE CRANKCASE	

FENDT 311 VARIO (338/00101-99999)  
431755-M-1

---



431755-M-1

---

Fendt

FENDT 311 VARIO (338/00101-99999)

F338000

TRANSMITTER

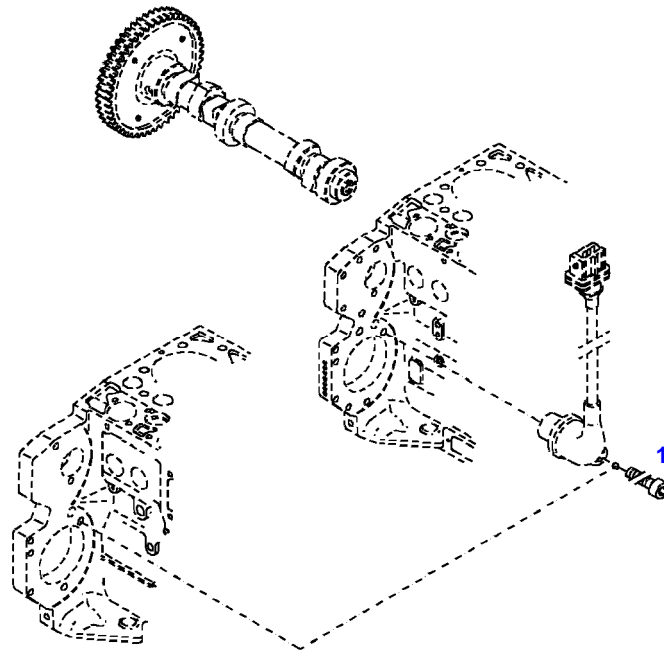
Page01-0011

---

Item	Part Number	Qty	Description Comments
			ENGINE SPEED EDC
1	72626758	1	TRANSMITTER
2	72628348	1	O-RING

FENDT 311 VARIO (338/00101-99999)  
35317

---



035317

Fendt

FENDT 311 VARIO (338/00101-99999)

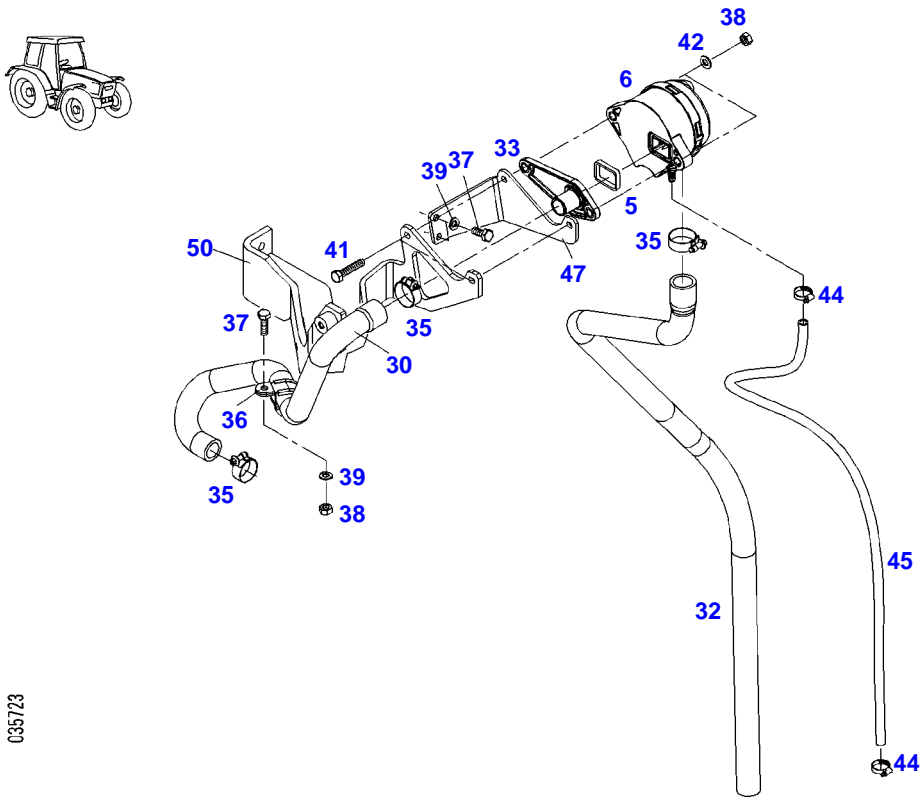
F338000

TRANSMITTER

Page01-0012

Item	Part Number	Qty	Description Comments	Technical Specification
			ENGINE SPEED FASTENINGS	
1	72315460	1	SOCKET HEAD BOLT	DIN 912 M6X16-8.8

FENDT 311 VARIO (338/00101-99999)  
35723

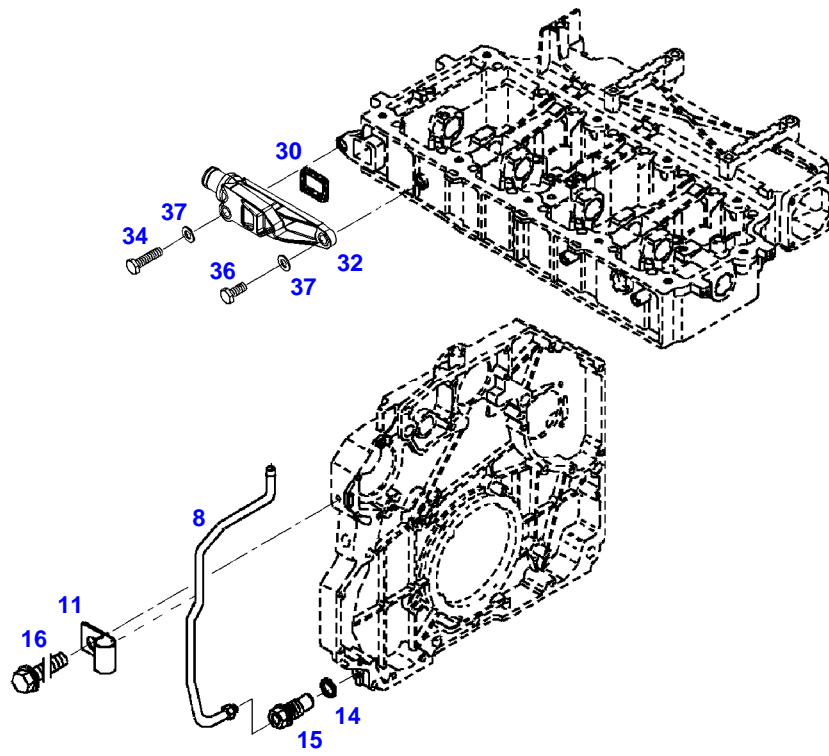


035723



Item	Part Number	Qty	Description Comments	Technical Specification
5	72455795	1	SEAL	
6	72437250	1	BREATHER ><5	
30	72437818	1	HOSE LINE	
32	72437755	1	HOSE	
33	72437633	1	CONNECTING FLANGE	
35	72311167	3	HOSE CLIP	
36	72373546	1	PIPE CLAMP	
37	72315650	3	HEXAGONAL HEAD BOLT	DIN 933 M8 X 20-8.8A3L
38	72313268	3	NUT	DIN 934 M8-8A3L
39	72315053	3	SPLIT WASHER	FWN 65208-8-A3L
41	72315663	2	HEXAGONAL HEAD BOLT	DIN 933 M8X40-8.8A3L
42	72311788	2	DISC	DIN 125-8,4-ST.A3L
44	72438345	2	HOSE CLIP	
45	72450297	1	PRESSURE HOSE 1X 640 MM CUT TO LENGTH	L=800 FWN 66041-M6
47	72439187	1	RETAINER	
50			SEE CHASSIS CONSOLE	

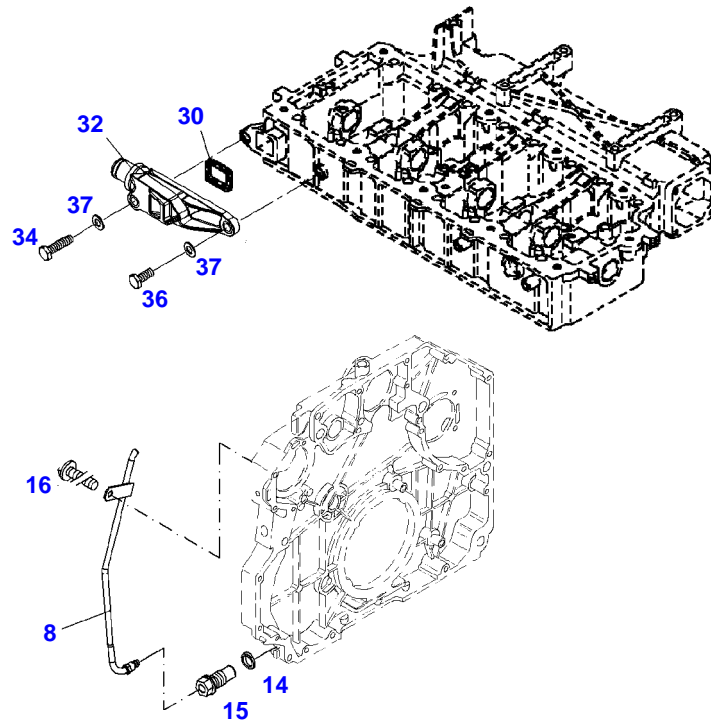
FENDT 311 VARIO (338/00101-99999)  
40924



040924

Item	Part Number	Qty	Description Comments	Technical Specification
			<b>OIL RETURN TUBE ENGINE NUMBER --&gt; 10222380</b>	
8	72438014	1	OIL RETURN LINE	
11	72425772	1	PIPE CLAMP	
14	72315101	1	SEALING WASHER	DIN 7603 A22X27-CU
15	72436504	1	LOCK VALVE	
16	72325300	1	HEXAGONAL HEAD BOLT M6X12	M6X12
30	72455795	1	SEAL	
32	72455520	1	ADAPTER	
34	72315668	1	HEXAGONAL HEAD BOLT	DIN 933 M8X50-8.8A3L
36	72315650	1	HEXAGONAL HEAD BOLT	DIN 933 M8 X 20-8.8A3L
37	72311788	2	DISC	DIN 125-8,4-ST.A3L

FENDT 311 VARIO (338/00101-99999)  
40923

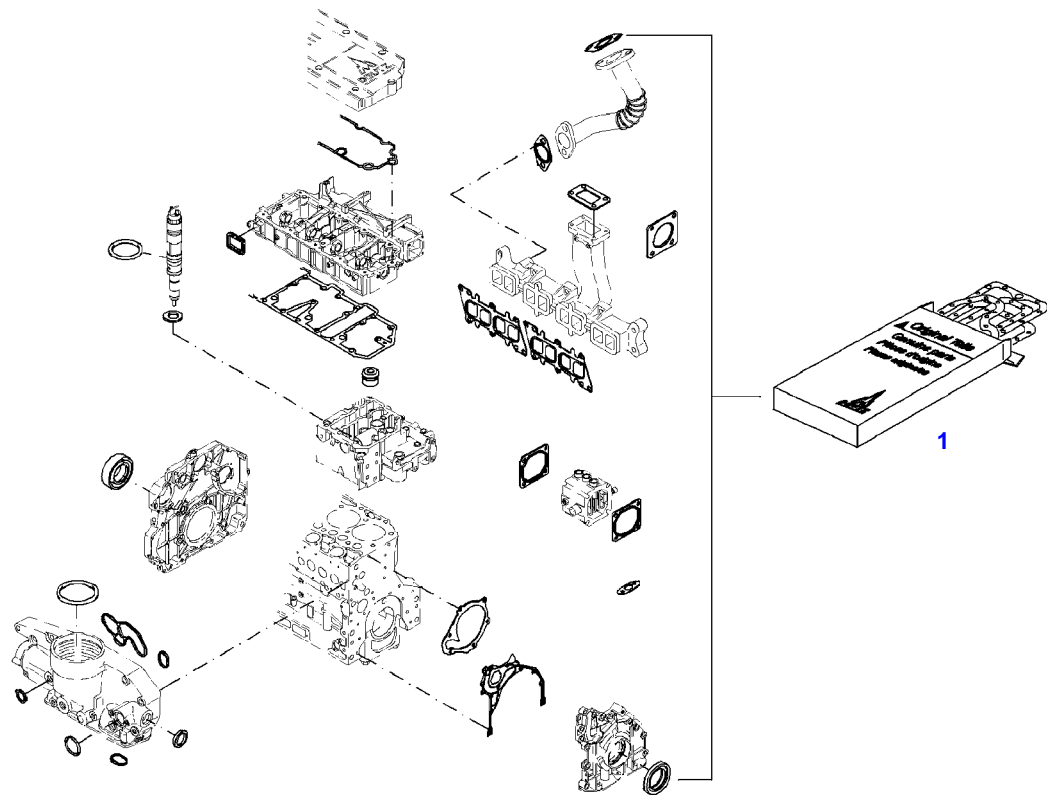


040923

Item	Part Number	Qty	Description Comments	Technical Specification
			OIL RETURN TUBE ENGINE NUMBER <-- 10222381	
8	72438014	1	OIL RETURN LINE	
14	72315101	1	SEALING WASHER	DIN 7603 A22X27-CU
15	72436504	1	LOCK VALVE	
16	72325453	1	HEXAGONAL HEAD BOLT M8X50	
30	72455795	1	SEAL	
32	72455520	1	ADAPTER	
34	72315668	1	HEXAGONAL HEAD BOLT	DIN 933 M8X50-8.8A3L
36	72315650	1	HEXAGONAL HEAD BOLT	DIN 933 M8 X 20-8.8A3L
37	72311788	2	DISC	DIN 125-8,4-ST.A3L

FENDT 311 VARIO (338/00101-99999)  
41307

041307



---

Fendt

FENDT 311 VARIO (338/00101-99999)

F338000

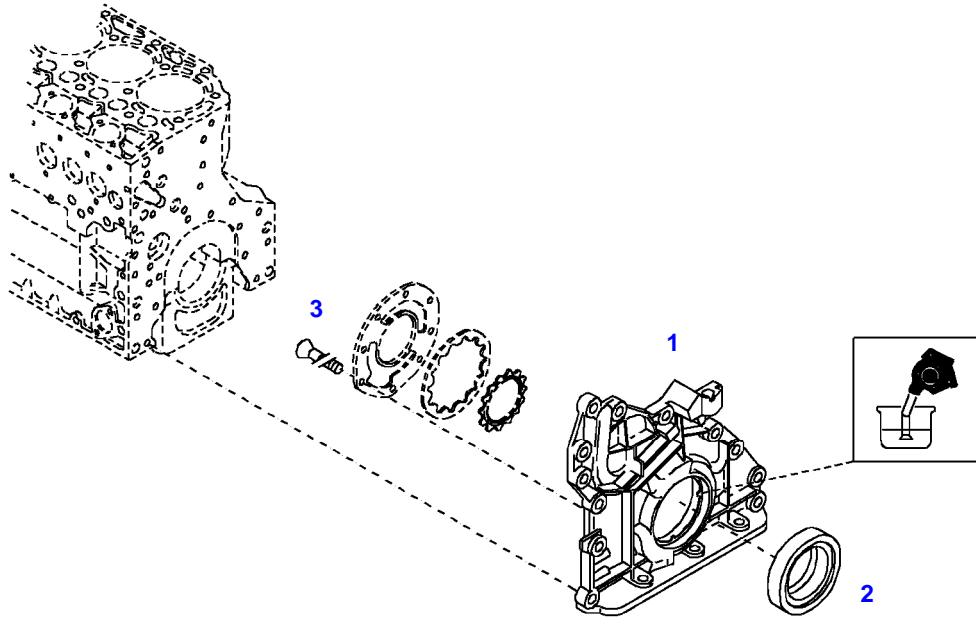
SET OF GASKETS

Page01-0016

---

Item	Part Number	Qty	Description Comments
			<b>ENGINE</b>
1	72487657	1	SEAL KIT WITHOUT CYLINDER HEAD GASKET

FENDT 311 VARIO (338/00101-99999)  
40475



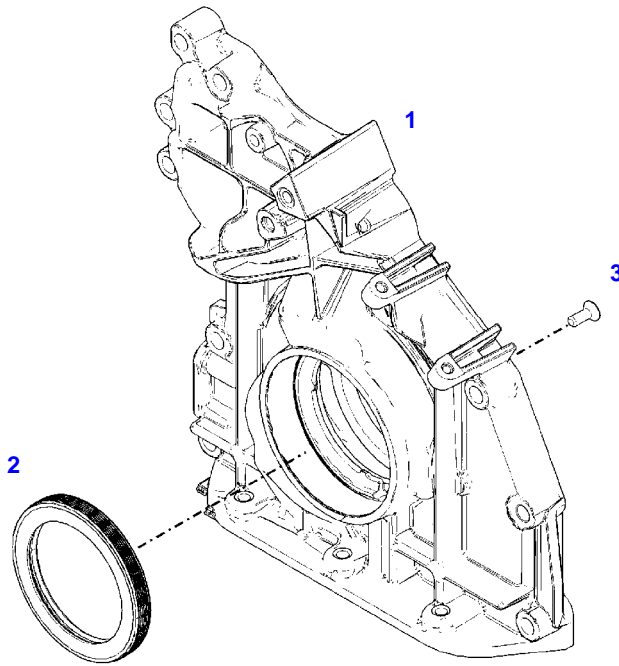
040475



Item	Part Number	Qty	Description Comments
			INTEGRATED OIL PUMP ENGINE NUMBER --> 11017352
1	72492235	1	CRANKCASE END COVER INTEGRATED OIL PUMP ><2,3
2	72479487	1	SHAFT SEAL
3	72416228	8	COUNTERSUNK CAPSCREW M6X16

FENDT 311 VARIO (338/00101-99999)  
41342

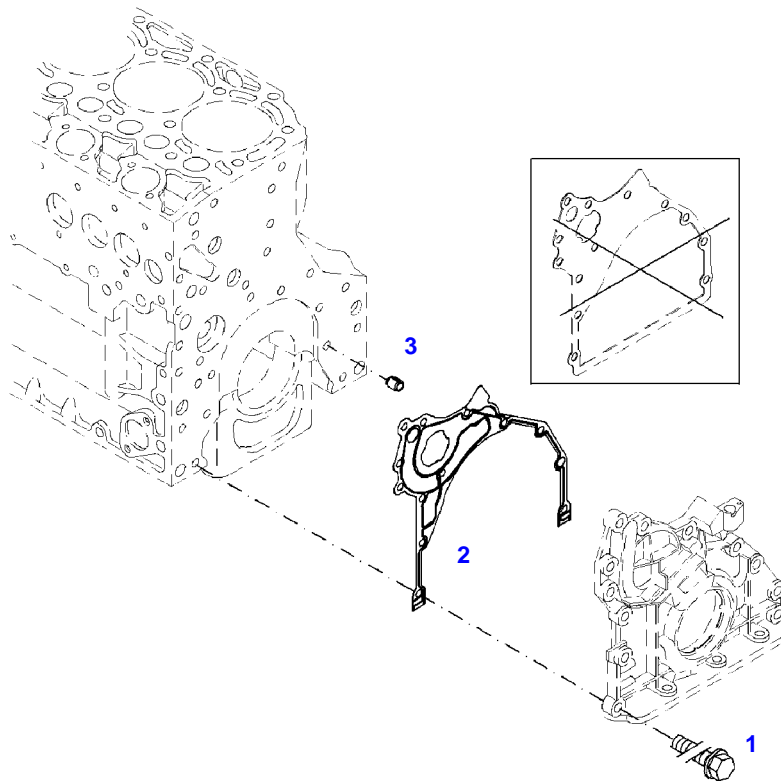
---



041342

Item	Part Number	Qty	Description Comments
			INTEGRATED OIL PUMP ENGINE NUMBER <-- 11017353
1	72630300	1	CRANKCASE END COVER INTEGRATED OIL PUMP ><2,3
2	72479487	1	SHAFT SEAL
3	72416228	8	COUNTERSUNK CAPSCREW M6X16

FENDT 311 VARIO (338/00101-99999)  
41308



041308

Thank you so much for reading.  
Please click the “Buy Now!”  
button below to download the  
complete manual.



After you pay.

You can download the most  
perfect and complete manual in  
the world immediately.

Our support email:

[ebooklibonline@outlook.com](mailto:ebooklibonline@outlook.com)