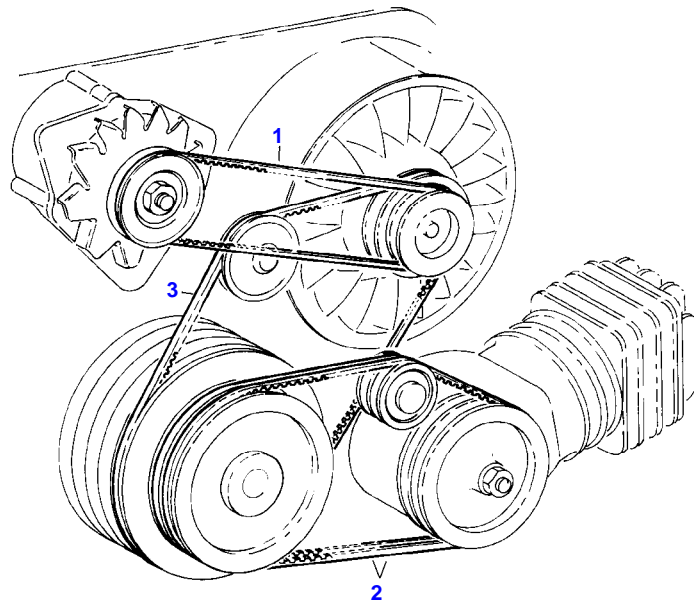


| Page Number | Page Title | Page Reference |
|--------------------|---------------------------------|-----------------------|
| 01-000-TOC | ENGINE, FUEL AND EXHAUST SYSTEM | 01-000-TOC |
| 02-000-TOC | AXLES | 02-000-TOC |
| 03-000-TOC | STEERING SYSTEM | 03-000-TOC |
| 04-000-TOC | DRIVE TRAIN SYSTEM | 04-000-TOC |
| 05-000-TOC | COMPRESSED AIR SYSTEM | 05-000-TOC |
| 06-000-TOC | HYDRAULIC SYSTEM | 06-000-TOC |
| 07-000-TOC | ELECTRICAL SYSTEM | 07-000-TOC |
| 08-000-TOC | CAB | 08-000-TOC |
| 09-000-TOC | CHASSIS | 09-000-TOC |
| 10-000-TOC | WHEELS | 10-000-TOC |
| 11-000-TOC | IMPLEMENT LIFT SYSTEM FRONT | 11-000-TOC |
| 12-000-TOC | IMPLEMENT LIFT SYSTEM REAR | 12-000-TOC |
| 13-000-TOC | FRONT/REAR LOADERS | 13-000-TOC |
| 14-000-TOC | ATTACHMENTS | 14-000-TOC |
| 15-000-TOC | ACCESSORIES | 15-000-TOC |

| Page Number | Page Title | Page Reference |
|-------------|--------------------------------|----------------|
| 01-0001 | V-BELT | 2010 |
| 01-0002 | SPEED CONTROL | 2020 |
| 01-0003 | ENGINE STOP | 2040 |
| 01-0004 | FUEL SYSTEM | 2050 |
| 01-0005 | SHRINK HOSE | 2055 |
| | RAPE SEED OIL METHYLATED ESTER | |
| 01-0006 | AIR FILTER | 2070 |
| 01-0007 | PRE-CLEANER | 2080 |
| 01-0008 | EXHAUST TO BOTTOM | 2090 |
| 01-0009 | EXHAUST UPRIGHT | 2110 |
| 01-0010 | COLD STARTING AID | 2120 |
| 01-0011 | CRANKCASE | 2130 |
| 01-0012 | FRONT COVER | 2140 |
| 01-0013 | BREATHER PIPE | 2145 |
| 01-0014 | TENSION ROLLER | 2150 |
| 01-0015 | CYLINDER | 2160 |
| 01-0016 | CRANKSHAFT | 2170 |
| 01-0017 | PISTON | 2180 |
| 01-0018 | CAMSHAFT | 2190 |
| 01-0019 | VALVE DRIVE | 2200 |
| 01-0020 | OIL PAN | 2210 |
| 01-0021 | OIL PUMP | 2220 |
| 01-0022 | LUBRIC. OIL COOLER | 2230 |
| 01-0023 | OIL FILTER MOUNTING | 2240 |
| 01-0024 | SUPPLY LINES | 2250 |
| 01-0025 | LEAK OIL LINE | 2260 |
| 01-0026 | INJECTION PUMP | 2350 |
| 01-0027 | FUEL PUMP | 2360 |
| 01-0028 | INJECTOR VALVE | 2380 |
| 01-0029 | COOLING AIR BLOWER | 2390 |
| 01-0030 | FAN PANELLING | 2400 |



6603

Fendt

GT 350GT (345/07001-90000)

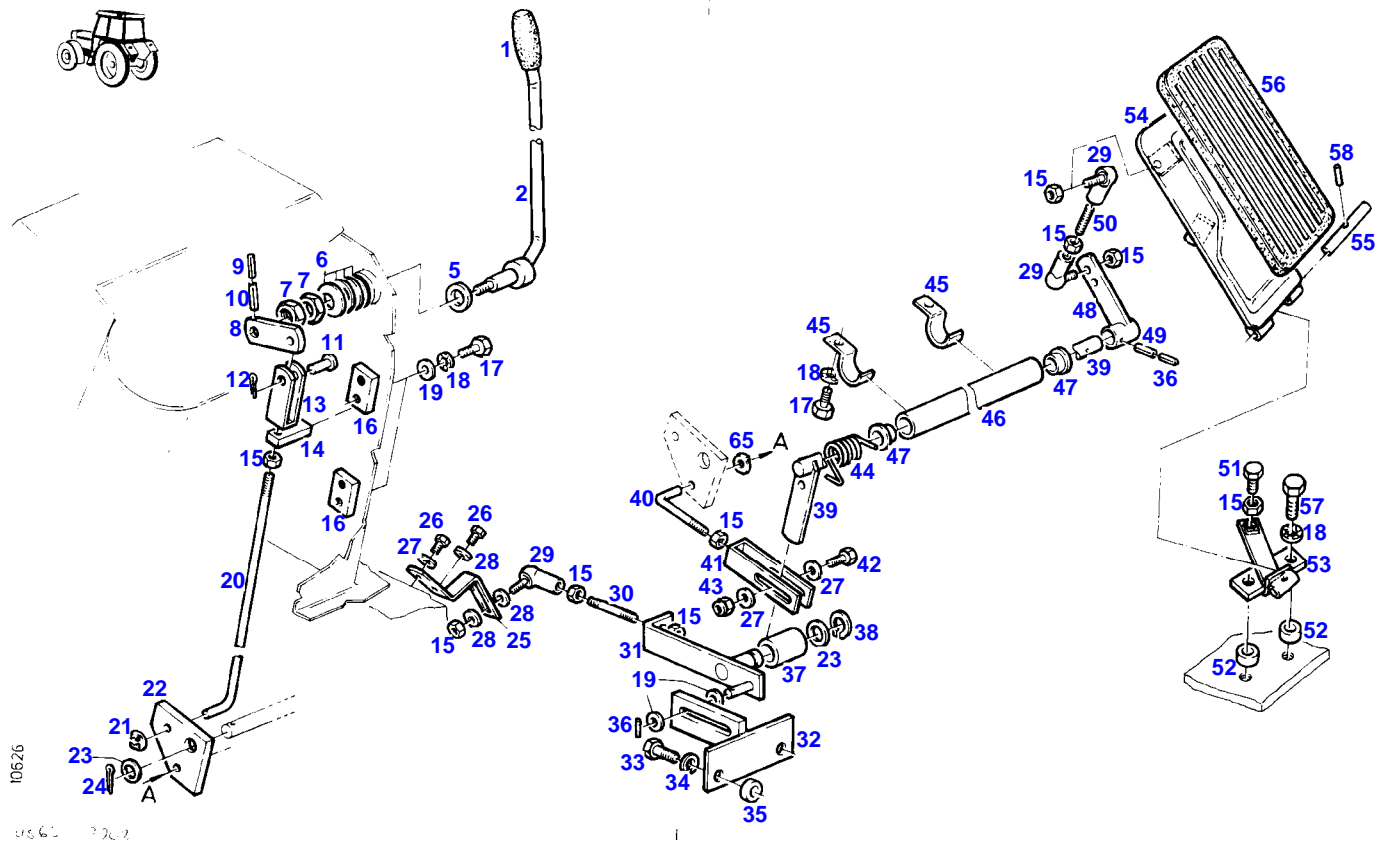
F345001

V-BELT

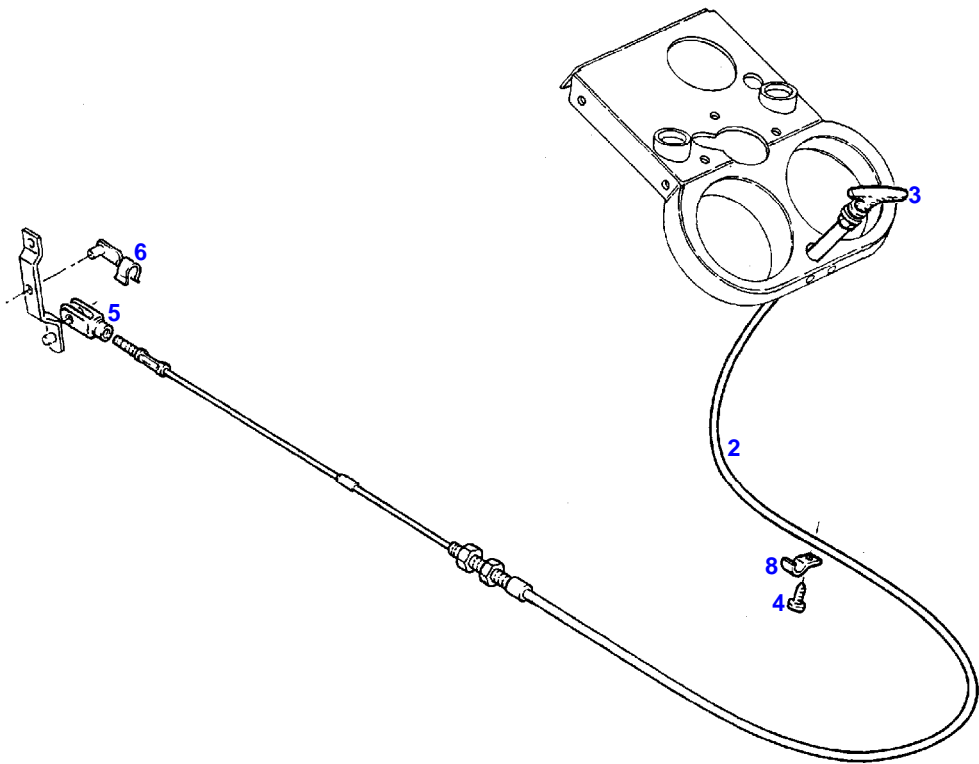
Page01-0001

| Item | Part Number | Qty | Description Comments | Technical Specification |
|------|-------------|-----|-------------------------|-------------------------|
| 1 | 72379405 | 1 | V-BELT 10X1050 | FWN66966-AVX10X1050LA |
| 2 | 72379415 | 2 | V-BELT 10X1175 | FWN66966-AVX10X1175LA |
| 3 | 72324110 | 1 | V-BELT 10X1300 | |

GT 350GT (345/07001-90000)
10626



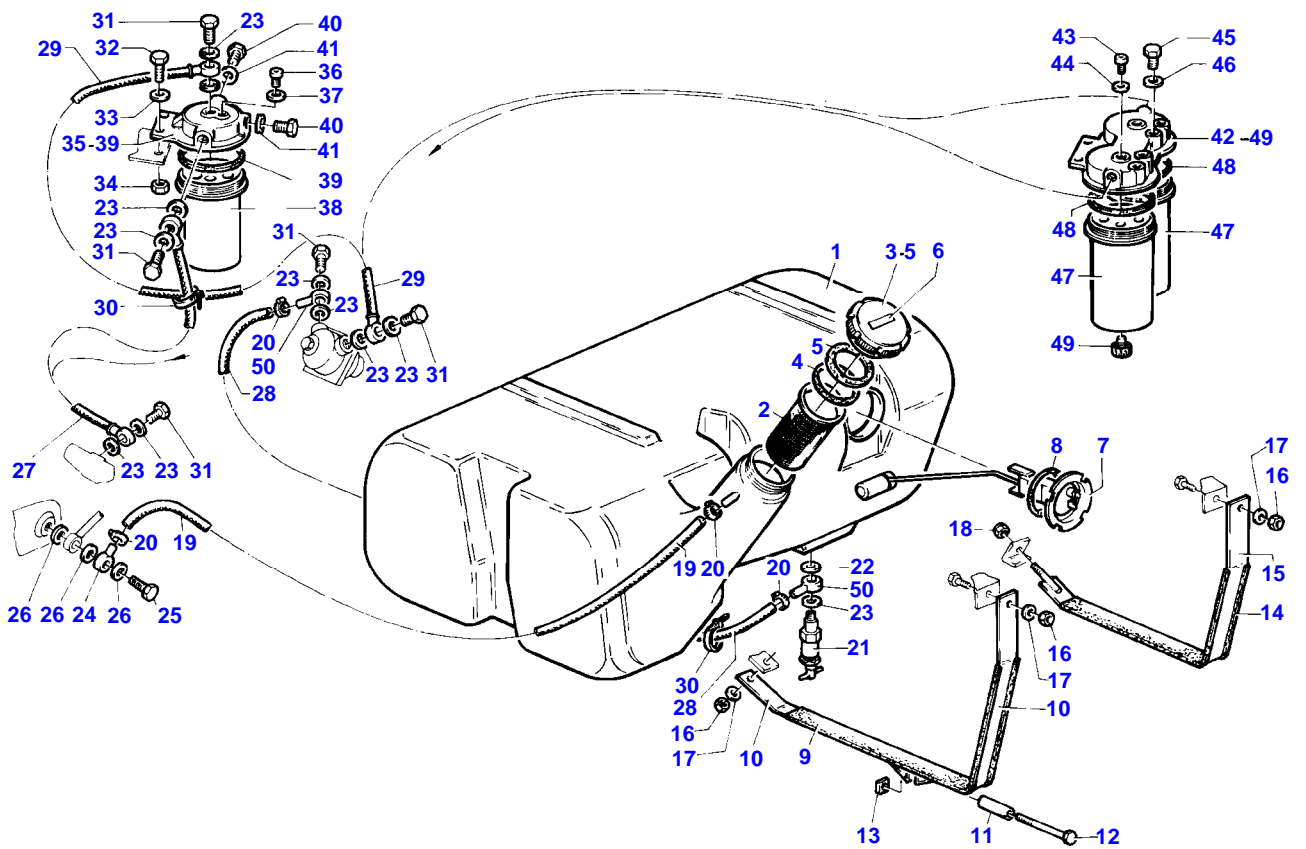
| Item | Part Number | Qty | Description Comments | Technical Specification |
|------|-------------|-----|-------------------------|--------------------------------|
| 1 | 72393661 | 1 | HANDLE GRIP | |
| 2 | 72317730 | 1 | LEVER | |
| 5 | 72422379 | 1 | FRICTION WASHER | |
| 6 | 72316459 | 4 | DISK SPRING | 28X14,2X1,25 |
| 7 | 72372883 | 2 | NUT | DIN 936 M14-17H |
| 8 | 72404909 | 1 | LEVER | |
| 9 | 72428239 | 1 | TENSIONING PIN | ISO8752-2,5X22-OB3 |
| 10 | 72313803 | 1 | TENSIONING PIN | ISO8752-4X20-A-ST-ZNPHR10F-KOE |
| 11 | 72372462 | 1 | BOLT | DIN 1436 6H11X22X18-UST36-2A3L |
| 12 | 72313872 | 1 | COTTER | DIN 94-1,6X12-ST.A3L |
| 13 | 72394562 | 1 | CLEVIS | |
| 14 | 72407990 | 1 | PLATE LINK | |
| 15 | 72313266 | 7 | NUT | DIN 934 M6-8A3L |
| | 72313268 | 1 | NUT | DIN 934 M8-8A3L |
| 16 | 72392583 | 2 | THREADED PLATE | |
| 17 | 72315642 | 4 | HEXAGONAL HEAD BOLT | DIN 933 M8 X 16-8.8A3L |
| 18 | 72317121 | 4 | SPRING WASHER | DIN 137 B8-MECH.VZK |
| 19 | 72311788 | 4 | DISC | DIN 125-8,4-ST.A3L |
| 20 | 72407994 | 1 | ROD | |
| 21 | 72311180 | 1 | DUO-CLIP | 8 SXN10 |
| 22 | 72407988 | 1 | PLATE LINK | |
| 23 | 72311804 | 2 | DISC | DIN 433-13-ST.A3L |
| 24 | 72313877 | 1 | COTTER | DIN 94-4X20-ST.A3L |
| 25 | 72407985 | 1 | LEVER | |
| 26 | 72315629 | 2 | HEXAGONAL HEAD BOLT | DIN 933 M6 X 12-8.8A3L |
| 27 | 72311822 | 3 | DISC | DIN9021-6,4-140HV-A3L |
| 28 | 72311787 | 3 | DISC | DIN 125-6,4-ST.A3L |
| 29 | 72313852 | 3 | BALL PIN | DIN 71803-C10-ST-A3L |
| | 72316303 | 3 | BALL SOCKET | DIN 71805 B10-A3L |
| | 72317189 | 3 | SECURING CLIP | DIN71805 S10-A3L |
| 30 | 72313765 | 1 | STUD BOLT | DIN 938 M6X35-8.8A3L |
| 31 | 72363804 | 1 | PUSH ROD | |
| 32 | 72363803 | 1 | CARRIER | |
| 33 | 72315681 | 2 | HEXAGONAL HEAD BOLT | DIN 933 M10X25-8.8A3L |
| 34 | 72315054 | 2 | SPLIT WASHER | FWN 65208-10-A3L |
| 35 | 72387057 | 1 | RING | |
| 36 | 72313796 | 2 | TENSIONING PIN | ISO8752-3X18-A-ST-OB3 FWN10256 |
| 37 | 72403270 | 1 | ROLLER | |
| 38 | 72311059 | 1 | LOCK WASHER | DIN 471-12X1 |
| 39 | 72363807 | 1 | SHAFT | |
| 40 | 72407986 | 1 | ROD | |
| 41 | 72407987 | 1 | FORK | |
| 42 | 72315633 | 1 | HEXAGONAL HEAD BOLT | DIN 933 M6X25-8.8A3L |
| 43 | 72313318 | 1 | NUT | DIN6925-M6-8-A3L |
| 44 | 72407991 | 1 | LEG SPRING | |
| 45 | 72605304 | 2 | CLIP | |
| 46 | 72407989 | 1 | PIPE | |
| 47 | 72393653 | 2 | BUSH | |
| 48 | 72363805 | 1 | LEVER | |
| 49 | 72313808 | 1 | TENSIONING PIN | ISO8752-5X18-A-ST-OB3 |
| 50 | 72313890 | 1 | STUD BOLT | |
| 51 | 72315631 | 1 | HEXAGONAL HEAD BOLT | DIN 933 M6 X 20-8.8A3L |
| 52 | 72424266 | 2 | SPACER TUBE | |
| 53 | 72365132 | 1 | CARRIER | |
| 54 | 72365134 | 1 | PEDAL PLATE | |
| 55 | 72310481 | 1 | BOLT | |
| | 72390105 | 2 | BUSH | |
| 56 | 72410227 | 1 | RUBBER COATING | |
| 57 | 72315653 | 2 | HEXAGONAL HEAD BOLT | DIN 933 M8 X 25-8.8A3L |
| 58 | 72313794 | 1 | TENSIONING PIN | ISO8752-3X14-A-ST-ZNPHR10F-KOE |
| 65 | 72311179 | 1 | DUO-CLIP | 6 SXN10 |



11817

| Item | Part Number | Qty | Description Comments | Technical Specification |
|------|-------------|-----|-------------------------|---------------------------|
| 2 | 72350138 | 1 | STOP CABLE ><3 | |
| 3 | 72343546 | 1 | PULL HANDLE | |
| 4 | 72315789 | 1 | SCREW | DIN 7981 ST4,8X9,5-C-H-A3 |
| 5 | 72311308 | 1 | CLEVIS | DIN 71752 G6X24-A3L |
| 6 | 72310448 | 1 | BOLT | FWN 64072 6X24 A3L |
| 8 | 72373448 | 1 | FASTENING COLLAR | DIN 72571-1X8-ST VZK |

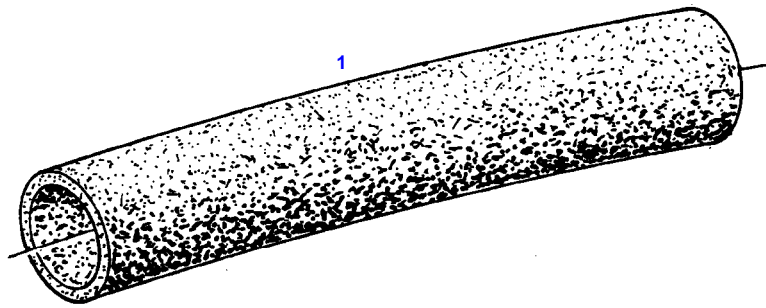
GT 350GT (345/07001-90000)
3494



7677

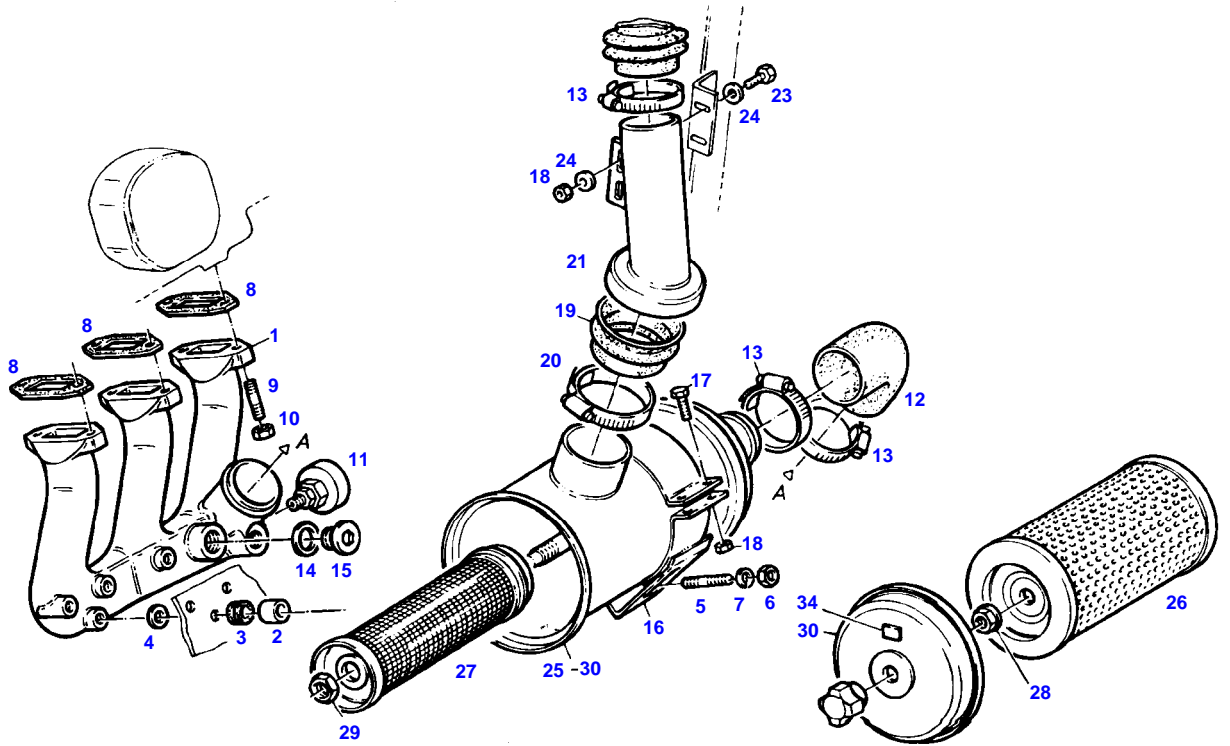
| Item | Part Number | Qty | Description Comments | Technical Specification |
|------|-------------|-----|--|-------------------------|
| 1 | 72417205 | 1 | FUEL TANK ><3-5 <> | |
| | 72311209 | 1 | THRUST RING | |
| | 72418883 | 1 | REDUCING STUD | |
| | 72313443 | 1 | O-RING | 20X3-NBR 70 FWN56402 |
| 2 | 72433112 | 1 | STRAINER | 60X100-MS |
| 3 | 72380143 | 1 | FUEL CAP ><4-5 | M.BELUEF |
| 4 | 72330725 | 1 | SEAL | |
| 5 | 72330726 | 1 | SEAL | |
| 6 | | | | |
| | | | NO LONGER AVAILABLE | |
| 7 | 72380146 | 1 | FUEL LEVEL SENSOR ><8 | |
| 8 | 72315169 | 1 | SEALING WASHER | |
| 9 | 72450972 | 1 | PROTECTIVE SECTION 1X 650 MM CUT TO LENGTH | L=920 FWN 63040 H01 |
| 10 | 72407995 | 2 | BAND CLAMP | |
| 11 | 72409314 | 1 | BUSHING | |
| 12 | 72374432 | 1 | HEXAGONAL HEAD BOLT | DIN 933 M8X100-8.8A3L |
| 13 | 72372785 | 1 | SQUARE NUT | DIN 557 M8-A3L |
| 14 | 72450972 | 1 | PROTECTIVE SECTION 1X 400 MM CUT TO LENGTH | L=920 FWN 63040 H01 |
| 15 | 72363810 | 1 | BAND CLAMP | |
| 16 | 72313268 | 3 | NUT | DIN 934 M8-8A3L |
| 17 | 72315053 | 3 | SPLIT WASHER | FWN 65208-8-A3L |
| 18 | 72313320 | 1 | NUT | DIN6925-M8-8-A3L |
| 19 | 72435830 | 1 | PRESSURE HOSE 1X 1600 MM CUT TO LENGTH | L=2100 |
| 20 | 72438345 | 4 | HOSE CLIP | |
| 21 | 72380159 | 1 | FUEL SHUT-OFF VALVE | |
| 22 | 72315093 | 3 | SEALING WASHER | DIN 7603 A12X18-CU |
| 23 | 72315094 | 12 | SEALING WASHER | DIN 7603 A14X18-CU |
| 24 | 72377530 | 1 | RING HOSE NIPPLE | FWN65910-A-DN2 |
| 25 | 72344393 | 1 | BANJO BOLT | |
| 26 | 72315086 | 3 | SEALING WASHER | DIN 7603 A8X11,5-CU |
| 27 | 72363813 | 1 | FUEL LINE | |
| 28 | 72450354 | 1 | PRESSURE HOSE 1X 1510 MM CUT TO LENGTH | L=2350 |
| 29 | 72363812 | 1 | FUEL LINE | |
| 30 | 72316916 | 2 | CABLE STRAP | FWN 66650 B175X4-SW |
| 31 | 72315808 | 5 | BANJO BOLT | DIN 7643-10-3-A3L |
| 32 | 72315685 | 2 | HEXAGONAL HEAD BOLT | DIN 933 M10X30-8.8A3L |
| 33 | 72311789 | 2 | DISC | DIN 125-10,5-ST.A3L |
| 34 | 72313272 | 2 | NUT | DIN 934 M10-8A3L |
| 35 | 72615599 | 1 | FILTER LID ><36,37 | |
| 36 | 72323290 | 1 | BLEED SCREW | |
| 37 | 72315084 | 1 | SEALING WASHER | DIN 7603 A6X10-CU |
| 38 | 72416928 | 1 | FILTER BOX ><39 | |
| 39 | 72314995 | 1 | RUBBER RING | |
| 40 | 72315799 | 2 | PLUG | DIN 7604 AM14X1,5-A3L |
| 41 | 72315094 | 2 | SEALING WASHER | DIN 7603 A14X18-CU |
| 42 | 72380173 | 1 | PARALLEL FILTER BOSCH ><43-49 <-- X810.190.166.000 1X <> | |
| | 72416928 | 2 | FILTER BOX | |

| Item | Part Number | Qty | Description Comments | Technical Specification |
|------|-------------|-----|----------------------------------|-------------------------|
| | 72451307 | 1 | COVER KNECHT ><42,43 <> | PARALLELFILT. |
| | 72416928 | 2 | FILTER BOX | |
| 43 | 72323290 | 2 | BLEED SCREW BOSCH | |
| | 72314699 | 2 | BLEED SCREW KNECHT | |
| 44 | 72315084 | 2 | SEALING WASHER BOSCH | DIN 7603 A6X10-CU |
| | 72315086 | 2 | SEALING WASHER KNECHT | DIN 7603 A8X11,5-CU |
| 45 | 72326250 | 1 | SCREW BOSCH | |
| 46 | 72315094 | 1 | SEALING WASHER BOSCH | DIN 7603 A14X18-CU |
| 47 | 72416928 | 2 | FILTER BOX ><48 | |
| 48 | 72314995 | 2 | RUBBER RING | |
| 49 | 72380174 | 2 | SCREW | |
| 50 | 72377531 | 2 | RING HOSE NIPPLE | FWN65910-A-DN8 |



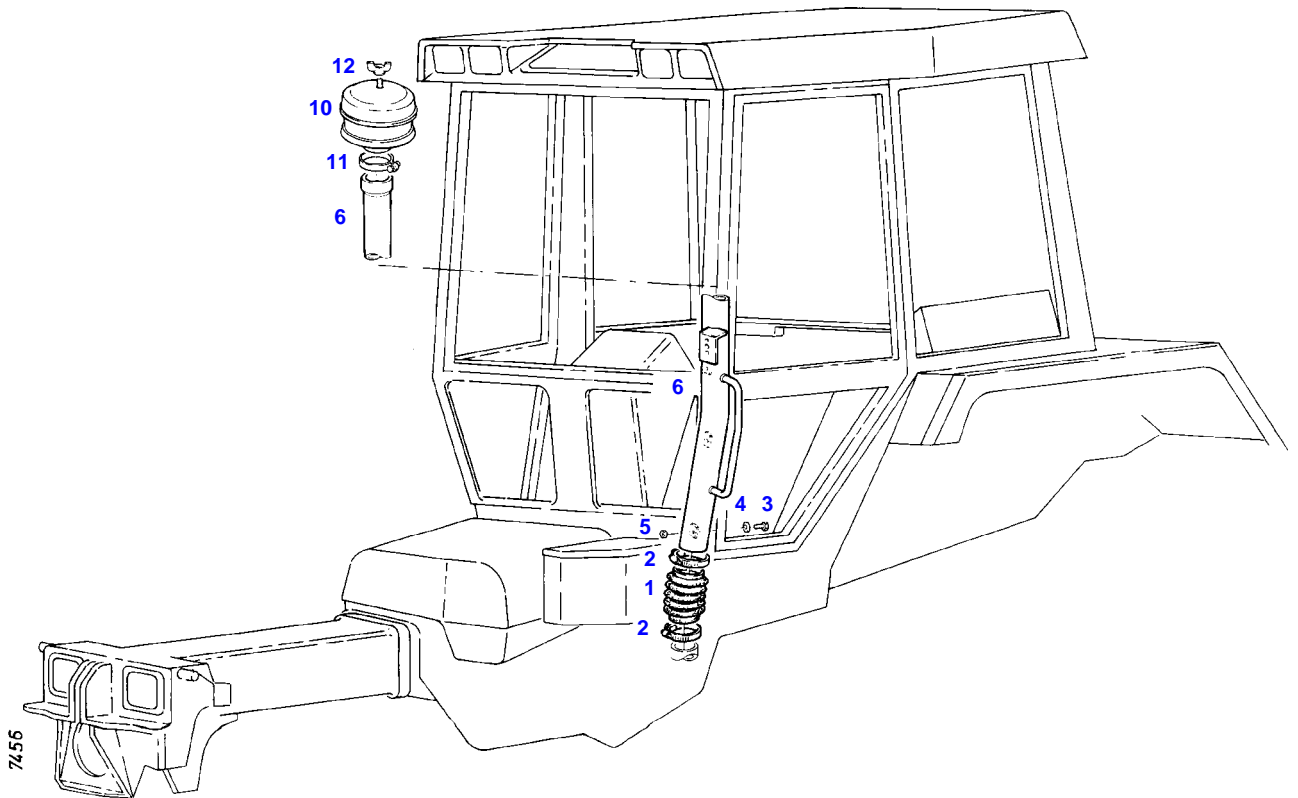
8555

| Item | Part Number | Qty | Description Comments | Technical Specification |
|------|-------------|-----|---|-------------------------|
| | | | RAPE SEED OIL METHYLATED ESTER | |
| 1 | 72436293 | 1 | HEAT SHRINK TUBING 1X 2500 MM CUT TO LENGTH | L=2600 |
| | 72436294 | X | HEAT SHRINK TUBING 1X 3000 MM CUT TO LENGTH | L=3100 |
| | 72436295 | 1 | HEAT SHRINK TUBING 1X 2000 MM CUT TO LENGTH | L=2100 |



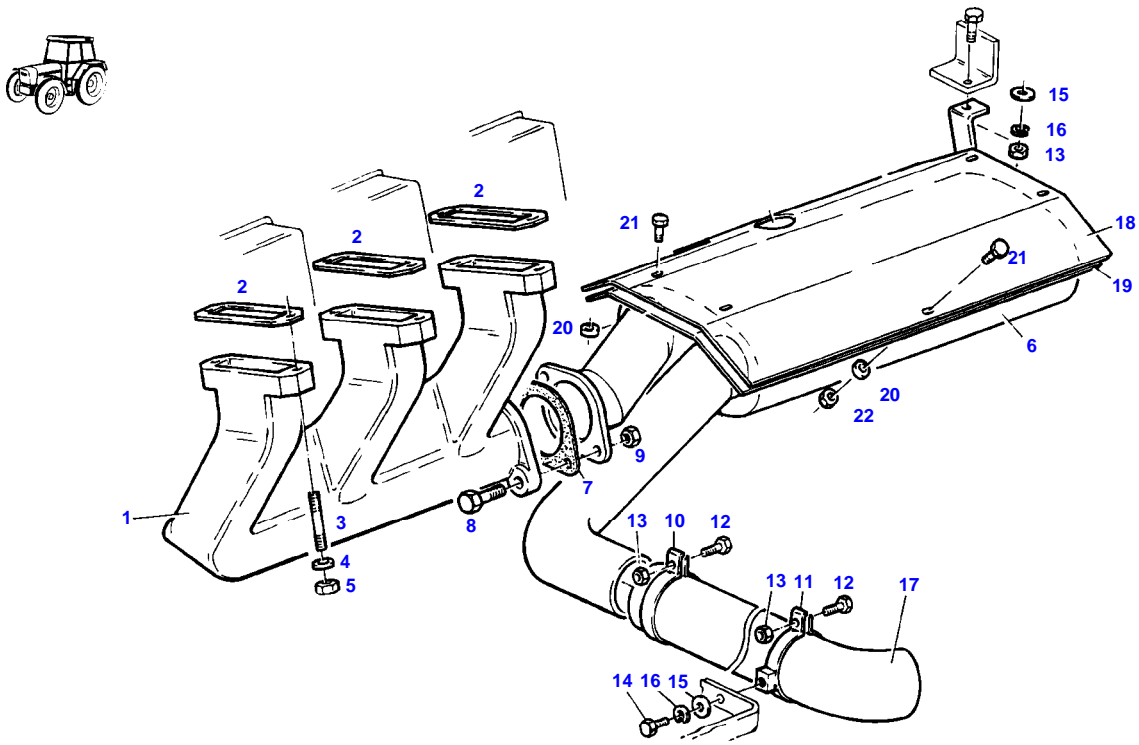
7975

| Item | Part Number | Qty | Description Comments | Technical Specification |
|------|-------------|-----|-----------------------------|-------------------------|
| 1 | 72407996 | 1 | INTAKE MANIFOLD | |
| 2 | 72310751 | 3 | BUSH | |
| 3 | 72312482 | 3 | UNIVERSAL SPOUT | |
| | 72311824 | 3 | DISC | DIN9021-8,4-140HV-A3L |
| 4 | 72316967 | 3 | SPACER TUBE | |
| 5 | 72374626 | 3 | STUD BOLT | DIN 939 M8X35-8.8 |
| 6 | 72313268 | 3 | NUT | DIN 934 M8-8A3L |
| 7 | 72315053 | 3 | SPLIT WASHER | FWN 65208-8-A3L |
| 8 | 72431538 | 3 | SEAL REPLACE ALL SEALS | |
| 9 | 72374626 | 6 | STUD BOLT | DIN 939 M8X35-8.8 |
| 10 | 72313268 | 6 | NUT | DIN 934 M8-8A3L |
| 11 | 72379891 | 1 | MAINTENANCE SWITCH | |
| 12 | 72397842 | 1 | RUBBER ARCH | |
| 13 | 72373528 | 3 | HOSE CLIP | |
| 14 | 72315101 | 1 | SEALING WASHER | DIN 7603 A22X27-CU |
| 15 | 72315442 | 1 | PLUG | DIN 908 M22X1,5-ST |
| 16 | 72363814 | 1 | RETAINER | |
| 17 | 72315635 | 2 | HEXAGONAL HEAD BOLT | DIN 933 M6X35-8.8A3L |
| 18 | 72313266 | 4 | NUT | DIN 934 M6-8A3L |
| 19 | 72407998 | 1 | BELLOWS | |
| 20 | 72311171 | 1 | HOSE CLIP | |
| 21 | 72363817 | 1 | AIR INTAKE PORT | |
| 23 | 72315630 | 4 | HEXAGONAL HEAD BOLT | DIN 933 M6X18-8.8A3L |
| 24 | 72311822 | 2 | DISC | DIN9021-6,4-140HV-A3L |
| 25 | 72350141 | 1 | AIR FILTER >< 26-30 | |
| 26 | 72329734 | 1 | MICRO-TOP CARTRIDGE | |
| 27 | 72329735 | 1 | SAFETY CARTRIDGE | |
| 28 | 72339030 | 1 | COLLAR NUT | |
| 29 | 72313299 | 1 | NUT | DIN 936-M16X1,5-17H |
| 30 | 72343075 | 1 | FLOOR | |
| 34 | 72391711 | 1 | ABSORPTION INDICATOR 1,1 | |
| | 72390400 | 1 | ABSORPTION INDICATOR 1,2 | |



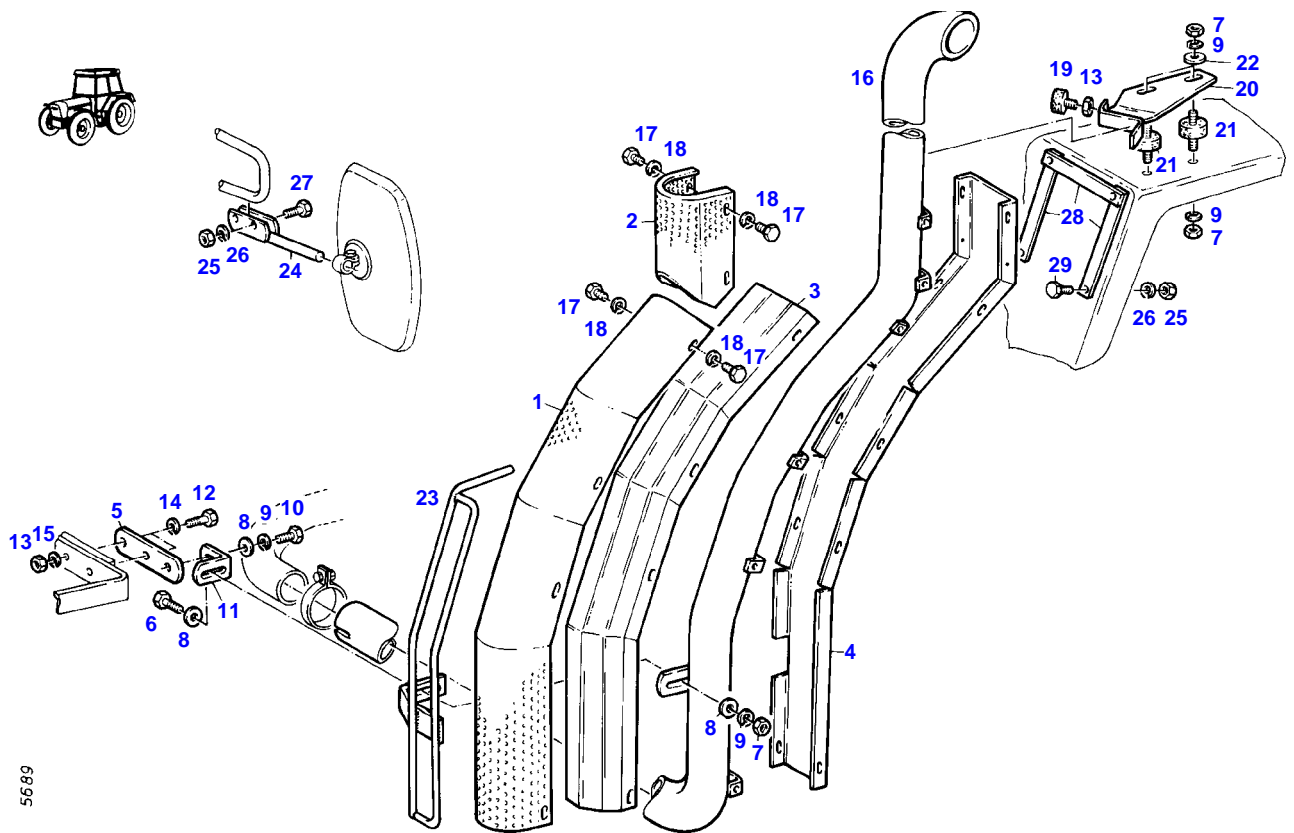
| Item | Part Number | Qty | Description Comments | Technical Specification |
|------|-------------|-----|--|-------------------------|
| 1 | 72407999 | 1 | BELLOWS | |
| 2 | 72373528 | 1 | HOSE CLIP | |
| 3 | 72315630 | 1 | HEXAGONAL HEAD BOLT | DIN 933 M6X18-8.8A3L |
| 4 | 72311822 | 1 | DISC | DIN9021-6,4-140HV-A3L |
| 5 | 72313266 | 1 | NUT | DIN 934 M6-8A3L |
| 6 | 72363845 | 1 | INTAKE LINE | |
| | 72363846 | 1 | INTAKE LINE CABIN-ROOF LOW | |
| | 72363818 | 1 | INTAKE LINE WITHOUT CABIN | |
| | 72315650 | 2 | HEXAGONAL HEAD BOLT NOT ILLUSTRATED | DIN 933 M8 X 20-8.8A3L |
| | 72313268 | 2 | NUT NOT ILLUSTRATED | DIN 934 M8-8A3L |
| | 72317121 | 2 | SPRING WASHER NOT ILLUSTRATED | DIN 137 B8-MECH.VZK |
| | 72311788 | 2 | DISC NOT ILLUSTRATED | DIN 125-8,4-ST.A3L |
| 10 | 72350142 | 1 | PRE-CLEANER ><10-12 | |
| | 72343076 | 1 | DUST CUP | |
| 11 | 72311171 | 1 | HOSE CLIP | |
| 12 | 72343074 | 1 | WING NUT | |

GT 350GT (345/07001-90000)
7976



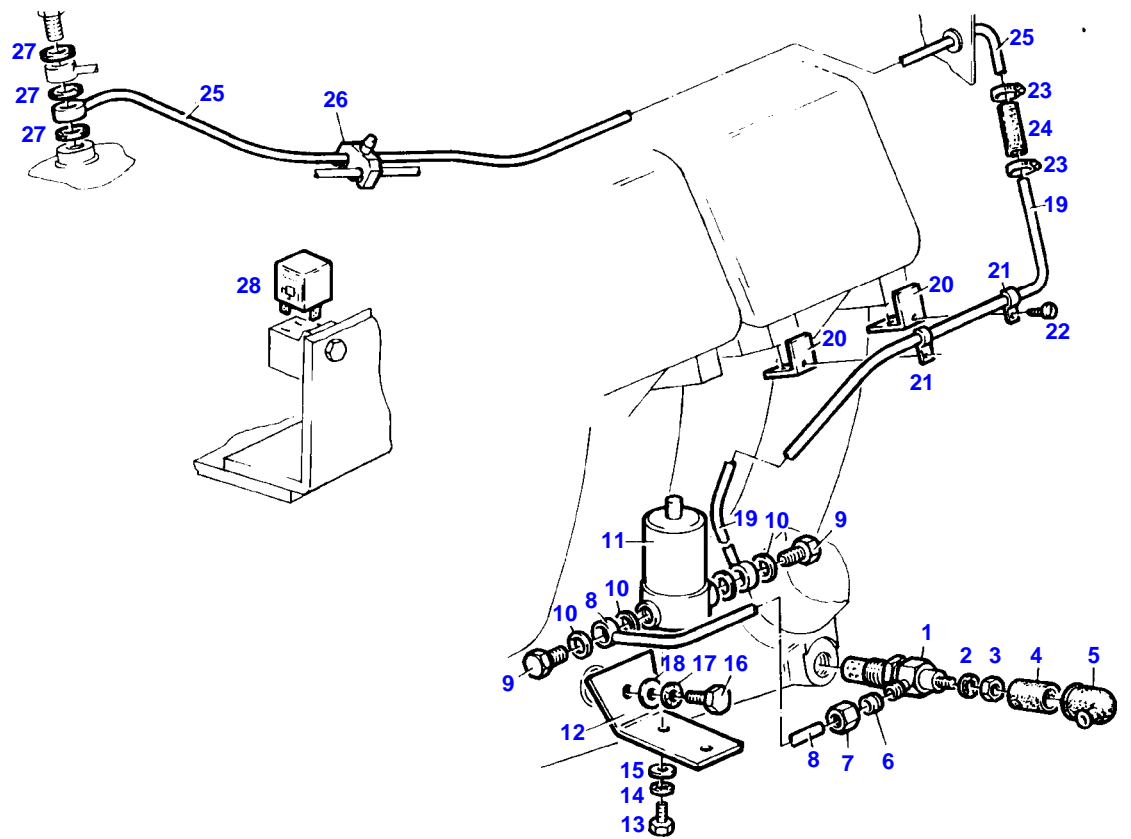
7976

| Item | Part Number | Qty | Description Comments | Technical Specification |
|------|-------------|-----|---------------------------------------|--------------------------------|
| 1 | 72408001 | 1 | EXHAUST COLLECTING PIPE | |
| 2 | 72431541 | 3 | SEAL REPLACE ALL SEALS | |
| 3 | 72373907 | 6 | STUD BOLT | DIN 835 M8X35-8.8 |
| 4 | 72311788 | 6 | DISC | DIN 125-8,4-ST.A3L |
| 5 | 72324283 | 6 | NUT | |
| 6 | 72363822 | 1 | EXHAUST <> | |
| 7 | 72376173 | 1 | SEAL | DIN71511-56X82X1,5-ST AFM5M.E. |
| 8 | 72315691 | 2 | HEXAGONAL HEAD BOLT | DIN 933 M10X40-8.8A3L |
| 9 | 72373015 | 2 | NUT | DIN70615-M10-8-A3B |
| 10 | 72373435 | 1 | PIPE CLAMP | DIN 71555-60,5-ZN12B |
| 11 | 72363823 | 1 | RETAINER <-- X456.662.200 1X <> | |
| | 72315673 | 1 | HEXAGONAL HEAD BOLT | DIN 933 M8X75-8.8A3L |
| | 72396731 | 2 | BUSH | |
| 12 | 72315653 | 2 | HEXAGONAL HEAD BOLT | DIN 933 M8 X 25-8.8A3L |
| 13 | 72313268 | 3 | NUT | DIN 934 M8-8A3L |
| 14 | 72315642 | 1 | HEXAGONAL HEAD BOLT | DIN 933 M8 X 16-8.8A3L |
| 15 | 72311824 | 1 | DISC | DIN9021-8,4-140HV-A3L |
| 16 | 72315053 | 2 | SPLIT WASHER | FWN 65208-8-A3L |
| 17 | 72408004 | 1 | PIPE | |
| 18 | 72408002 | 1 | SCREEENING SHIELD SEE OIL TANK | |
| 19 | 72408003 | 1 | SCREEENING SHIELD SEE OIL TANK | |
| 20 | 72311848 | 6 | DISC | |
| 21 | 72315626 | 6 | HEXAGONAL HEAD BOLT | DIN 933-M6 X 16-8.8-A3L |
| 22 | 72313266 | 1 | NUT | DIN 934 M6-8A3L |



5689

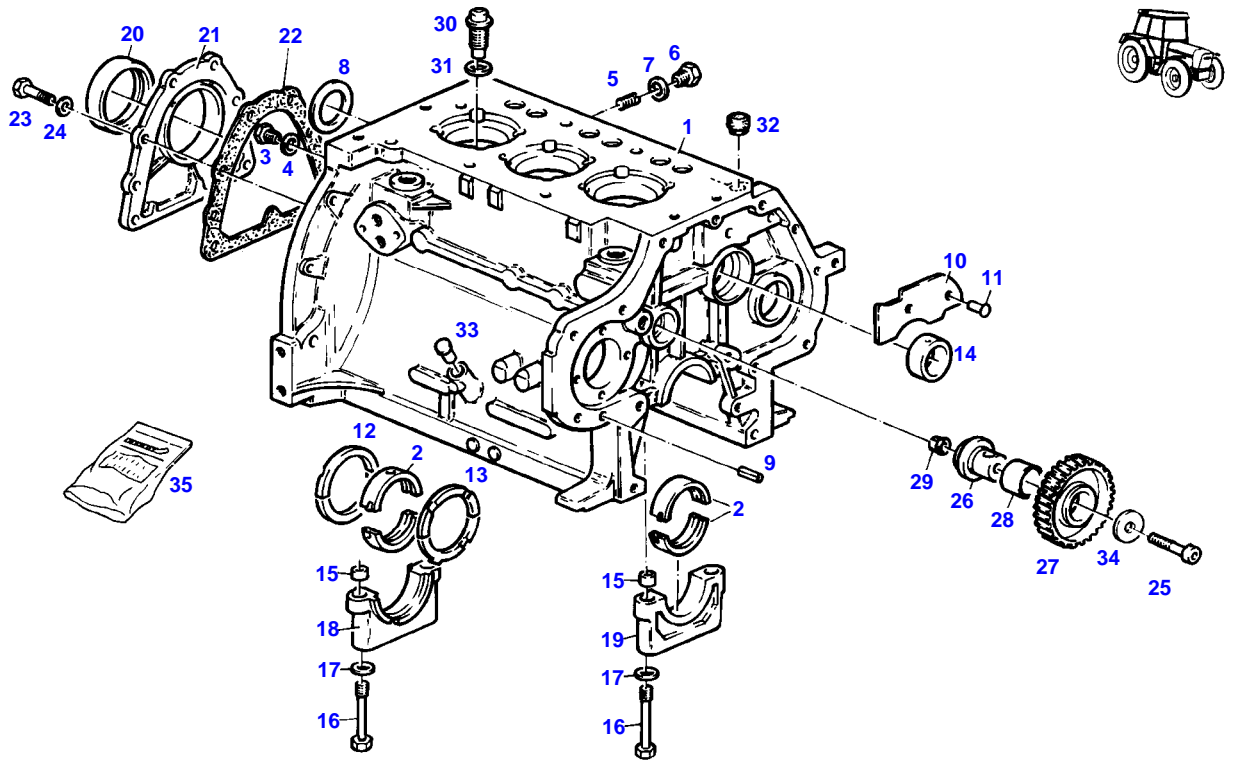
| Item | Part Number | Qty | Description Comments | Technical Specification |
|------|-------------|-----|-------------------------|-------------------------|
| 1 | 72408013 | 1 | GUARD | |
| 2 | 72408014 | 1 | GUARD | |
| 3 | 72408015 | 1 | GUARD | |
| 4 | 72408016 | 1 | GUARD | |
| 5 | 72408017 | 1 | PLATE LINK | |
| 6 | 72315685 | 1 | HEXAGONAL HEAD BOLT | DIN 933 M10X30-8.8A3L |
| 7 | 72313272 | 5 | NUT | DIN 934 M10-8A3L |
| 8 | 72311789 | 3 | DISC | DIN 125-10,5-ST.A3L |
| 9 | 72315054 | 6 | SPLIT WASHER | FWN 65208-10-A3L |
| 10 | 72315679 | 1 | HEXAGONAL HEAD BOLT | DIN 933 M10X20-8.8A3L |
| 11 | 72408018 | 1 | ANGLE | |
| 12 | 72315663 | 2 | HEXAGONAL HEAD BOLT | DIN 933 M8X40-8.8A3L |
| 13 | 72313268 | 3 | NUT | DIN 934 M8-8A3L |
| 14 | 72311788 | 2 | DISC | DIN 125-8,4-ST.A3L |
| 15 | 72315053 | 2 | SPLIT WASHER | FWN 65208-8-A3L |
| 16 | 72363840 | 1 | EXHAUST PIPE | |
| 17 | 72315819 | 12 | SCREW | DIN7976-ST4,8X13-C-A3L |
| 18 | 72311818 | 12 | DISC | DIN9021-5,3-140HV-A3L |
| 19 | 72310624 | 1 | BUFFER | |
| 20 | 72363842 | 1 | RETAINER | |
| 21 | 72379102 | 2 | BUFFER | |
| 22 | 72311827 | 2 | DISC | DIN9021-10,5-140HV-A3L |
| 23 | 72363844 | 1 | PROTECTION BAR | |
| 24 | 72363843 | 1 | RETAINER | |
| 25 | 72313266 | 6 | NUT | DIN 934 M6-8A3L |
| 26 | 72315052 | 6 | SPLIT WASHER | FWN 65208-6-A3L |
| 27 | 72315633 | 2 | HEXAGONAL HEAD BOLT | DIN 933 M6X25-8.8A3L |
| 28 | 72408019 | 3 | PLATE LINK | |
| 29 | 72315626 | 4 | HEXAGONAL HEAD BOLT | DIN 933-M6 X 16-8.8-A3L |



3497

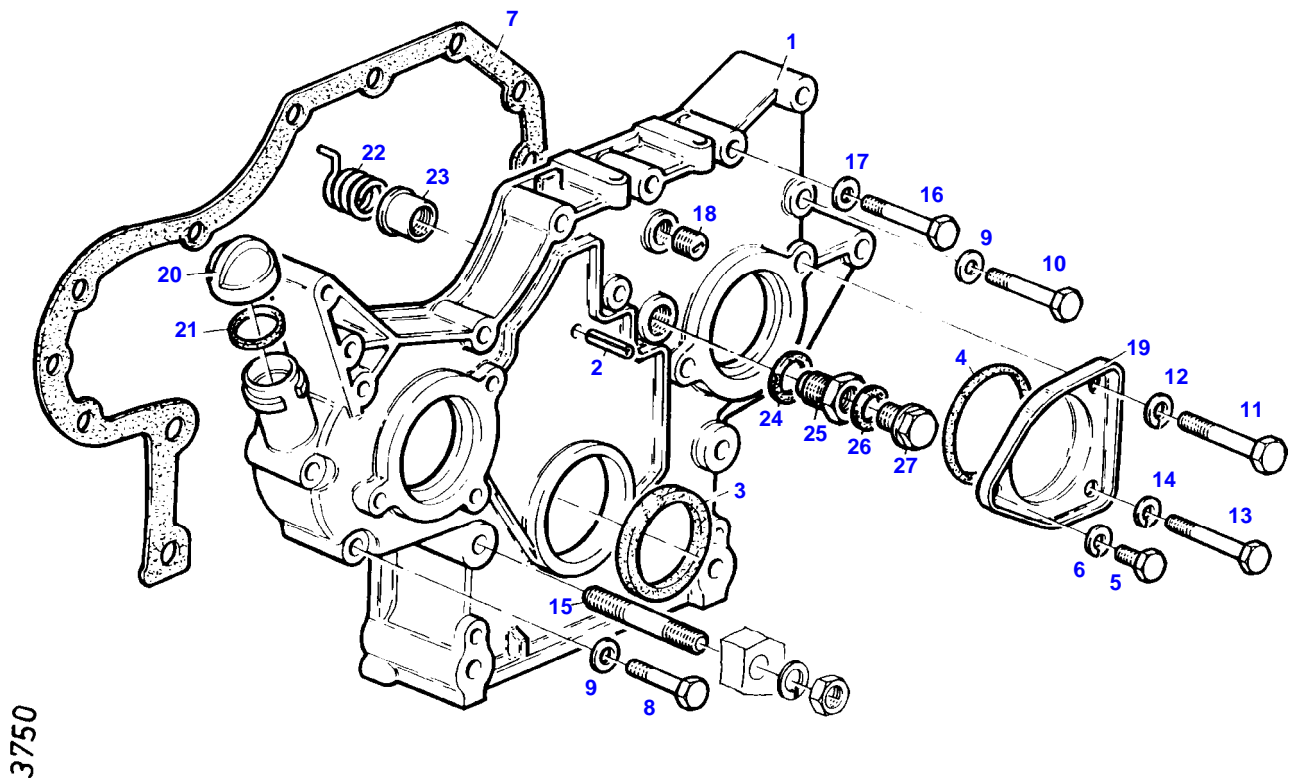
| Item | Part Number | Qty | Description Comments | Technical Specification |
|------|-------------|-----|----------------------------------|-----------------------------|
| 1 | 72433489 | 1 | ROD FLAME GLOW PLUG >> 2-3 | |
| 2 | 72317119 | 1 | SPRING WASHER | DIN 137 B5-MECH.VZK |
| 3 | 72313264 | 1 | NUT | DIN 934 M5-8A3L |
| 4 | 72436282 | 1 | HOSE 1X 30MM CUT TO LENGTH | L=150 12X2-SILIKONKAUTSCHUK |
| 5 | 72380426 | 1 | SHIELD CAP | |
| 6 | 72377312 | 1 | DOUBLE V-RING | DIN 3862-6-9SMNPB28K+G |
| 7 | 72378005 | 1 | CONNECTING NUT | DIN 3870 ALL6-9S20K A3L |
| 8 | 72363825 | 1 | PIPE | |
| 9 | 72315806 | 2 | BANJO BOLT | DIN 7643-6-3-A3L |
| 10 | 72315088 | 4 | SEALING WASHER | DIN 7603 A10X13,5-CU |
| 11 | 72317090 | 1 | VALVE SOLENOID | |
| 12 | 72408006 | 1 | ANGLE | |
| 13 | 72315629 | 2 | HEXAGONAL HEAD BOLT | DIN 933 M6 X 12-8.8A3L |
| 14 | 72317120 | 2 | SPRING WASHER | DIN 137 B6-MECH.VZK |
| 15 | 72311787 | 2 | DISC | DIN 125-6,4-ST.A3L |
| 16 | 72315645 | 1 | HEXAGONAL HEAD BOLT | DIN 933 M8 X 12-8.8A3L |
| 17 | 72317121 | 1 | SPRING WASHER | DIN 137 B8-MECH.VZK |
| 18 | 72311788 | 1 | DISC | DIN 125-8,4-ST.A3L |
| 19 | 72363827 | 1 | LINE | |
| 20 | 72410259 | 2 | RETAINER | |
| 21 | 72311236 | 2 | FASTENING COLLAR | DIN 72571-1X4-ST.A3L |
| 22 | 72315785 | 2 | SCREW | DIN 7981 ST4,2X9,5-C-H-A3 |
| 23 | 72373477 | 2 | HOSE CLIP | |
| 24 | 72436283 | 1 | HOSE 1X 50MM CUT TO LENGTH | L=120 |
| 25 | 72363826 | 1 | LINE | |
| 26 | 72312051 | 1 | CABLE HOLDER | |
| 27 | 72315095 | 3 | SEALING WASHER | DIN 7603 A14X20-CU |
| 28 | 72428226 | 1 | GLOW TIME RELAY <> | |

GT 350GT (345/07001-90000)
7978

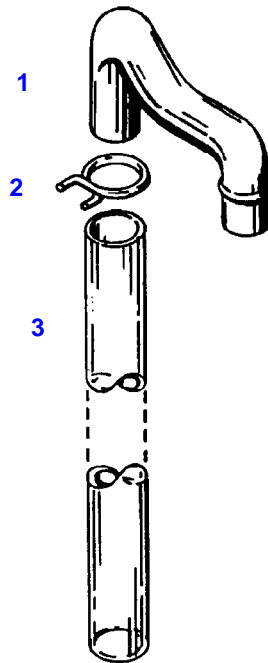


7978

| Item | Part Number | Qty | Description Comments | Technical Specification |
|------|-------------|-----|---|-------------------------|
| | 72319023 | 1 | DIESEL ENGINE | |
| 1 | 72333413 | 1 | CRANKCASE ><3-9,14-19,32+33 | |
| 2 | 72324293 | 4 | CRANKSHAFT BEARING 70,00 MM | |
| | 72415975 | 4 | CRANKSHAFT BEARING 69,75 MM | |
| | 72415976 | 4 | CRANKSHAFT BEARING 69,50 MM | |
| 3 | 72323673 | 2 | SCREW | |
| 4 | 72315098 | 2 | SEALING WASHER | DIN 7603 A16X22-CU |
| 5 | 72323675 | 4 | SLOTTED PLUG | |
| 6 | 72427167 | 3 | SCREW | DIN 908 M12 X 1,5-ST-A3 |
| 7 | 72315090 | 3 | SEALING WASHER | DIN 7603 A12X15,5-CU |
| 8 | 72323690 | 1 | LOCKING DISC | |
| 9 | 72323573 | 2 | TENSIONER BUSHING | |
| 10 | 72344345 | 1 | BAFFLE | |
| 11 | 72372707 | 2 | SLOTTED PIN | DIN 1476-6X10-ST |
| 12 | 72425118 | 1 | THRUST RING 2,94 MM | |
| | 72323990 | 1 | THRUST RING FOR STEEL CRANKSHAFT 3,25 MM | |
| | 72496405 | 1 | THRUST RING FOR CAST STEEL CRANKSHAFT 3,14 MM | 3,14MM |
| | 72323991 | 1 | THRUST RING FOR STEEL CRANKSHAFT 3,50 MM | |
| 13 | 72323983 | 1 | THRUST RING 3,00 MM | |
| | 72323984 | 1 | THRUST RING FOR STEEL CRANKSHAFT 3,25 MM | |
| | 72425121 | 1 | THRUST RING FOR CAST STEEL CRANKSHAFT 3,14 MM | |
| | 72323985 | 1 | THRUST RING FOR STEEL CRANKSHAFT 3,50 MM | |
| 14 | 72344344 | 1 | BUSH | |
| 15 | 72344342 | 8 | ADAPTER BUSH | |
| 16 | 72344343 | 8 | HEXAGONAL HEAD BOLT | |
| 17 | 72323682 | 8 | DISC | |
| 18 | 72323945 | 1 | BEARING CAP | |
| 19 | 72323946 | 1 | BEARING CAP | |
| 20 | 72425119 | 1 | SHAFT SEAL | |
| 21 | 72324099 | 1 | COVER | |
| 22 | 72311273 | 1 | SEALING COMPOUND | TEROST-63S |
| 23 | 72315650 | 8 | HEXAGONAL HEAD BOLT | DIN 933 M8 X 20-8.8A3L |
| 24 | 72311788 | 8 | DISC | DIN 125-8,4-ST.A3L |
| 25 | 72324090 | 1 | SOCKET HEAD BOLT <> | |
| 26 | 72344347 | 1 | PIVOT | |
| 27 | 72324444 | 1 | INTERMEDIATE GEAR ><28 <> | |
| 28 | 72324307 | 1 | BUSH | |
| 29 | 72344346 | 1 | TENSIONER BUSHING | |
| 30 | 72420361 | 3 | SPRAY NOZZLE | |
| 31 | 72315053 | 3 | SPLIT WASHER | FWN 65208-8-A3L |
| 32 | 72323653 | 1 | CORE HOLE PLUG | |
| 33 | 72324312 | 1 | BOLT | |
| 34 | 72324457 | 1 | DISC | |
| 35 | 72427478 | 1 | SEAL KIT | |



| Item | Part Number | Qty | Description Comments | Technical Specification |
|------|-------------|-----|---------------------------------|--------------------------------|
| 1 | 72323947 | 1 | COVER | |
| 2 | 72375153 | 1 | TENSIONING PIN | ISO8752-6X45-A-ST-ZNPHR10F-KOE |
| 3 | 72317651 | 1 | SHAFT SEAL | |
| 4 | 72323566 | 1 | PERMANENT REINFORCEMENT 80X3 | |
| 5 | 72374417 | 1 | HEXAGONAL HEAD BOLT | DIN 933 M8X8-8.8 |
| 6 | 72315053 | 1 | SPLIT WASHER | FWN 65208-8-A3L |
| 7 | 72324304 | 1 | SEAL | |
| | 72311273 | 1 | SEALING COMPOUND | TEROST-63S |
| 8 | 72374161 | 1 | HEXAGONAL HEAD BOLT | DIN 931 M8X60 GWA-10.9 |
| 9 | 72311788 | 3 | DISC | DIN 125-8,4-ST.A3L |
| 10 | 72315534 | 2 | HEXAGONAL HEAD BOLT | DIN 931 M8 X 70-8.8 |
| 11 | 72374183 | 1 | HEXAGONAL HEAD BOLT | DIN 931 M10X75-8.8 |
| 12 | 72315054 | 1 | SPLIT WASHER | FWN 65208-10-A3L |
| 13 | 72315534 | 1 | HEXAGONAL HEAD BOLT | DIN 931 M8 X 70-8.8 |
| 14 | 72315053 | 1 | SPLIT WASHER | FWN 65208-8-A3L |
| 15 | | | SEE FRONT AXLE BRACKET | |
| 16 | 72315534 | 2 | HEXAGONAL HEAD BOLT | DIN 931 M8 X 70-8.8 |
| 17 | 72311788 | 2 | DISC | DIN 125-8,4-ST.A3L |
| 18 | 72323556 | 1 | SLOTTED PLUG | |
| 19 | 72324418 | 1 | COVER | |
| 20 | 72323709 | 1 | COVER >< 21 | |
| 21 | 72323708 | 1 | SEALING WASHER | |
| 22 | 72324159 | 1 | COMPRESSION SPRING | |
| 23 | 72323827 | 1 | START-UP CAP | |
| 24 | 72376036 | 1 | SEALING WASHER | DIN7603 A24X30-ALU |
| 25 | 72324020 | 1 | SCREW | |
| 26 | 72315099 | 1 | SEALING WASHER | DIN 7603 A18X22-CU |
| 27 | 72315801 | 1 | SCREW | DIN 7604-AM18 X 1,5-ST A3L |



010461

Fendt

GT 350GT (345/07001-90000)

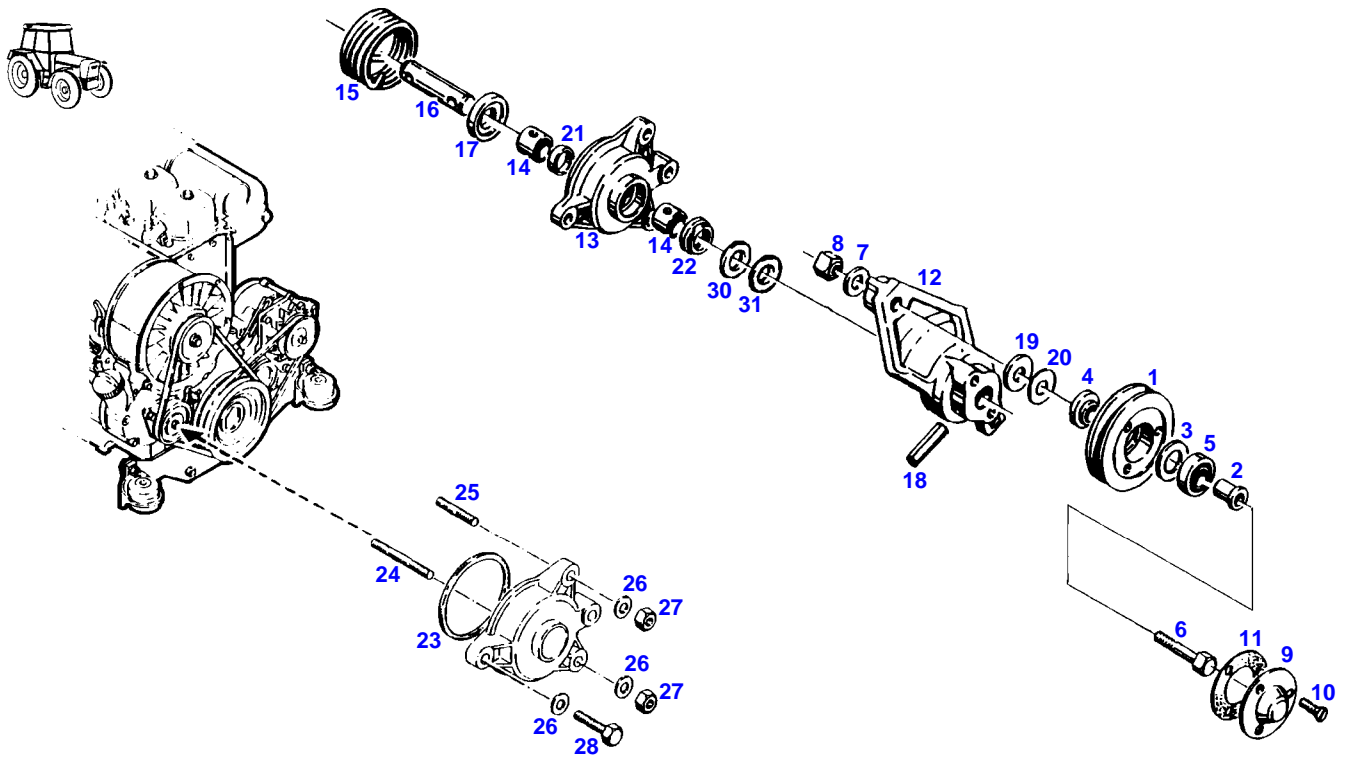
F345001

BREATHER PIPE

Page01-0013

| Item | Part Number | Qty | Description Comments |
|------|-------------|-----|-------------------------|
| 1 | 72323767 | 1 | PIPE |
| 2 | 72323550 | 1 | CLAMP |
| 3 | 72323735 | 1 | HOSE |

GT 350GT (345/07001-90000)
10775



10775

Thank you so much for reading.
Please click the “Buy Now!”
button below to download the
complete manual.



After you pay.

You can download the most
perfect and complete manual in
the world immediately.

Our support email:

ebooklibonline@outlook.com