

TABLE OF CONTENT

Page Number	Page Title	Page Reference
01-000-TOC	ENGINE, FUEL AND EXHAUST SYSTEM	01-000-TOC
02-000-TOC	AXLES	02-000-TOC
03-000-TOC	STEERING SYSTEM	03-000-TOC
04-000-TOC	DRIVE TRAIN SYSTEM	04-000-TOC
05-000-TOC	COMPRESSED AIR SYSTEM	05-000-TOC
06-000-TOC	HYDRAULIC SYSTEM	06-000-TOC
07-000-TOC	ELECTRICAL SYSTEM	07-000-TOC
08-000-TOC	CAB	08-000-TOC
09-000-TOC	AIR CONDITIONING AND HEATING SYSTEM	09-000-TOC
10-000-TOC	CHASSIS	10-000-TOC
11-000-TOC	WHEELS	11-000-TOC
12-000-TOC	IMPLEMENT LIFT SYSTEM FRONT	12-000-TOC
13-000-TOC	IMPLEMENT LIFT SYSTEM REAR	13-000-TOC
14-000-TOC	LINKAGE	14-000-TOC
15-000-TOC	FRONT/REAR LOADERS	15-000-TOC
16-000-TOC	PRECISION FARMING SYSTEMS	16-000-TOC
17-000-TOC	ACCESSORIES	17-000-TOC

Page Number	Page Title	Page Reference
01-0001	ENGINE ASSEMBLIES	1968872
01-0002	ENGINE ASSEMBLIES	1968873
01-0003	CYLINDER BLOCK	1968874
01-0004	TIMING GEARS AND HOUSING	1968875
01-0005	V-BELT	1878981
01-0006	BELT TENSIONER	1968876
01-0007	TENSION ROLLER - ALTERNATOR	1870667
01-0008	FLYWHEEL AND HOUSING	1968877
01-0009	CRANKSHAFT AND PISTONS - UP TO ENGINE S/N B69999	1968878
01-0010	CRANKSHAFT AND PISTONS - FROM ENGINE S/N C50000/JLD291001	1968879
01-0011	CAMSHAFT AND VALVE MECHANISM	1968880
01-0012	CYLINDER HEAD	1968881
01-0013	VALVE ROCKER COVER - UP TO ENGINE SERIAL NUMBER B65264	1968882
01-0014	VALVE ROCKER COVER - STARTING FROM ENGINE SERIAL NUMBER B65265/JLD291001	1968883
01-0015	INTAKE MANIFOLD	1968884
01-0016	TURBOCHARGER AND EXHAUST MANIFOLD	1968885
01-0017	EXHAUST GAS RECIRCULATION (EGR) - UP TO ENGINE SERIAL NUMBER B64865	1968886
01-0018	EXHAUST GAS RECIRCULATION (EGR) - ENGINE SERIAL NUMBER RANGE B64866 - C58769	1968887
01-0019	EXHAUST GAS RECIRCULATION (EGR) - STARTING FROM ENGINE SERIAL NUMBER C58770	1968888
01-0020	OIL PUMP AND SUMP	1968889
01-0021	OIL COOLER AND FILTER	1968890
01-0022	CLOSED CRANKCASE VENTILATION (CCV)	1968891
01-0023	CRANKCASE VENTILATION	1870688
01-0024	COOLANT PUMP AND THERMOSTAT	1968892
01-0025	FUEL INJECTION SYSTEM	1968893
01-0026	FUEL FILTERS	1968894
01-0027	ELECTRONIC ENGINE MANAGEMENT	1968895
01-0028	ELECTRONIC ENGINE MANAGEMENT CLAMPING PARTS	1870693
01-0029	STARTER MOTOR	1968896
01-0030	ENGINE OVERHAUL PARTS	1968897
01-0031	SPECIAL OVERHAUL PARTS	1968898
01-0032	ENGINE MOUNTINGS	1870665
01-0033	BULKHEAD	1871958
01-0034	AIR FILTER - INTAKE HOSE	1871959
01-0035	BOOST INTERCOOLING	1870822
01-0036	WATER COOLED RADIATOR	1871327
01-0037	WATER COOLED RADIATOR - COOL. WATER PIPING	1871363
01-0038	COOL. WATER PIPING	1872238
01-0039	COOL. WATER PIPING	1878824
01-0040	FUEL TANK	1871785
01-0041	FUEL LINES	1872222
01-0042	EXHAUST AFTER-TREATMENT TANK ADBLUE	1877496
01-0043	EXHAUST AFTER-TREATMENT SUPPLY UNIT	1877948
01-0044	EXHAUST AFTER-TREATMENT CATHAL. CONVERTER	1872147
01-0045	EXHAUST AFTERTREATMENT	1968899
01-0046	EXHAUST AFTER-TREATMENT PIPING	1872241
01-0047	EXHAUST END PIPE	1872118
01-0048	FAN WITH DRIVE	1870748
01-0049	ENGINE PRE-HEATER	1879311

FENDT 312 S4 (349/00101-05000) (WAM349XXX00F05001-99999)
 AP_ENGAS_4CYL

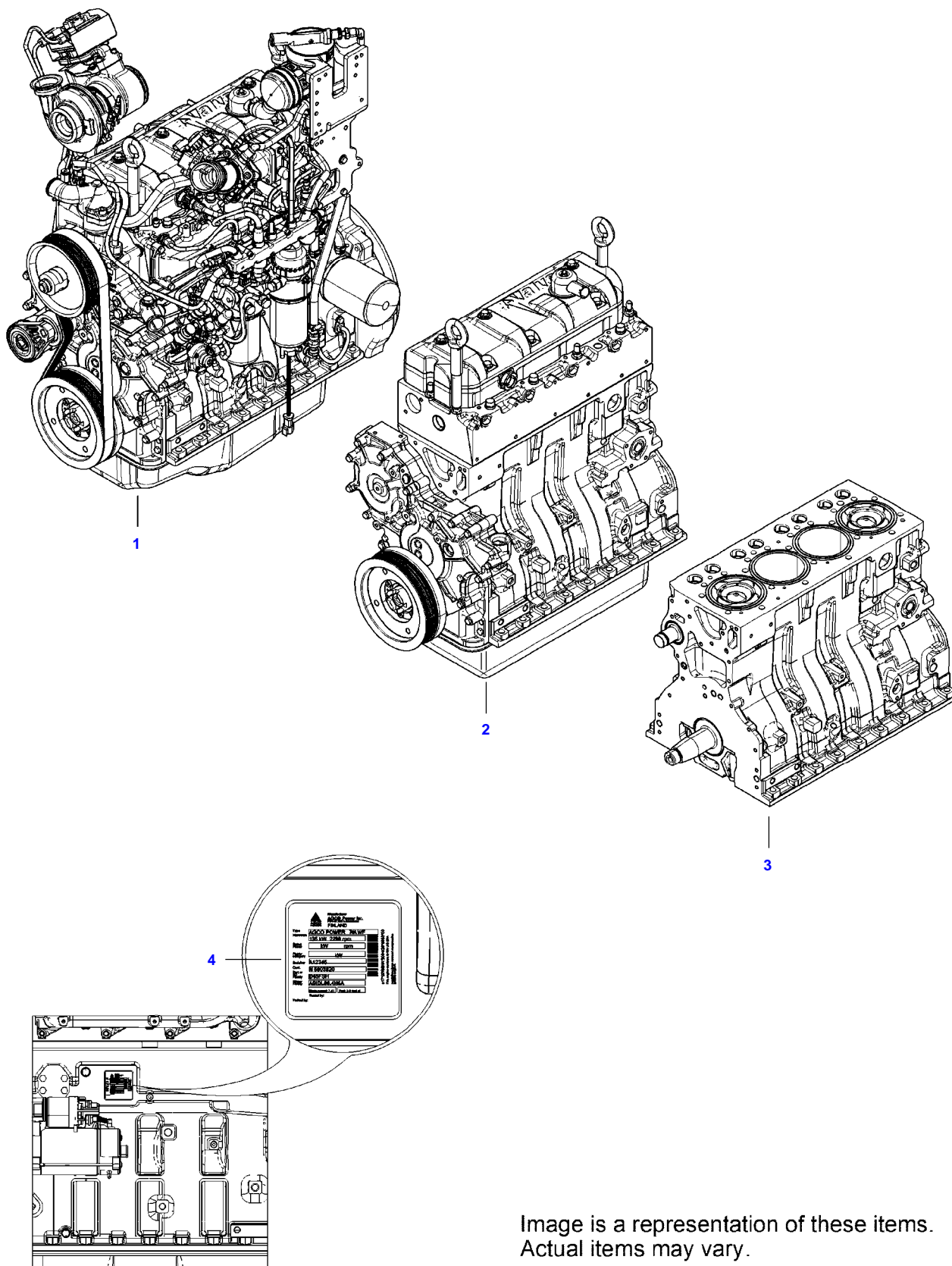


Image is a representation of these items.
 Actual items may vary.

Fendt

FENDT 312 S4 (349/00101-05000) (WAM349XXX00F05001-99999)

F349000

ENGINE ASSEMBLIES

Page01-0001

Item	Part Number	Qty	Description Comments	Technical Specification
1	V834477319	1	ENGINE 97/2100 (KW/RPM)	44 AWF
2	864477319V	1	LONG BLOCK ENGINE	44 AWF
3	864477319X	1	SHORT BLOCK ENGINE	44 AWF
4	V837079921	1	LABEL ENGINE TYPE PLATE	

FENDT 312 S4 (349/00101-05000) (WAM349XXX00F05001-99999)
AP_ENGAS_4CYL

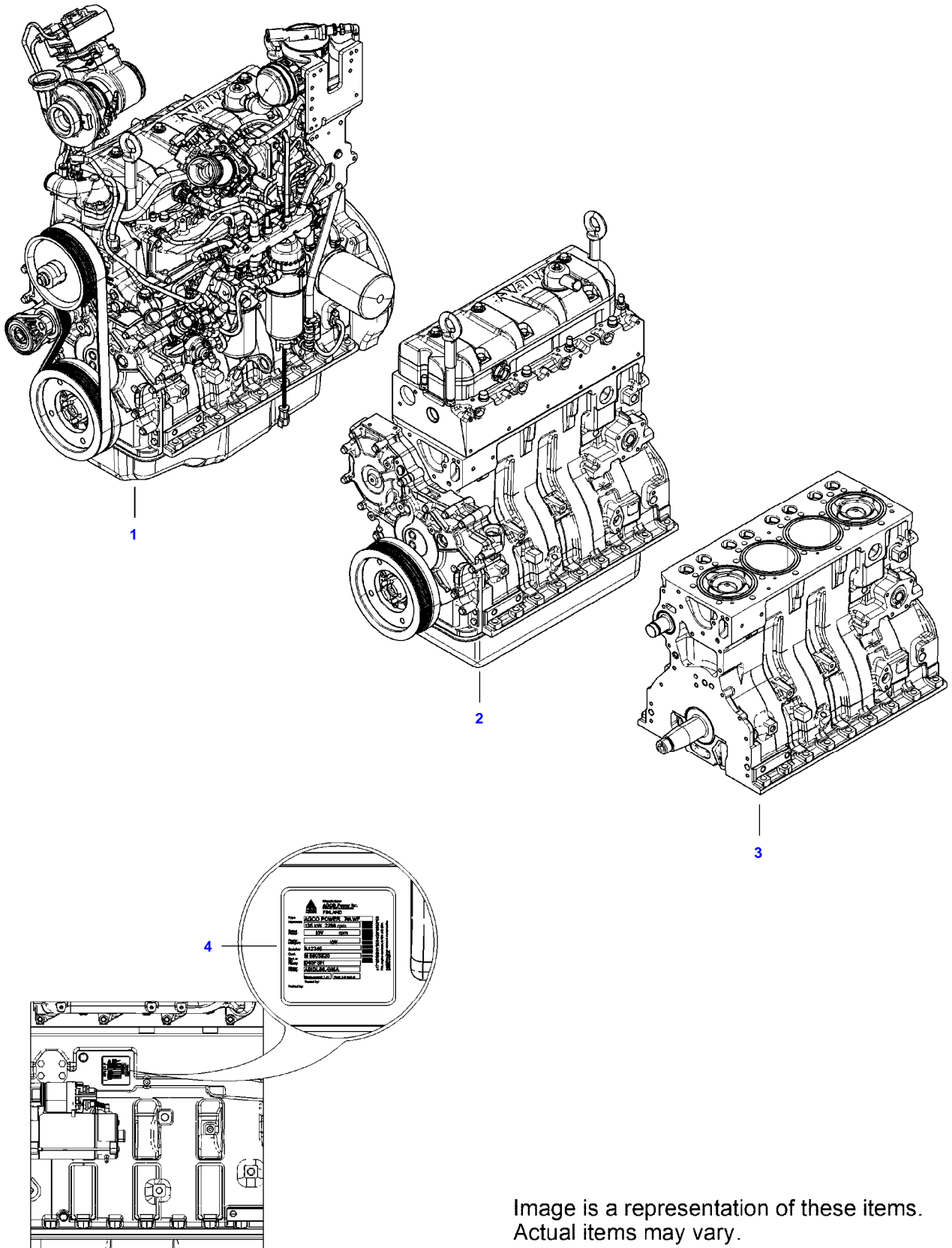


Image is a representation of these items.
Actual items may vary.

Fendt

FENDT 312 S4 (349/00101-05000) (WAM349XXX00F05001-99999)

F349000

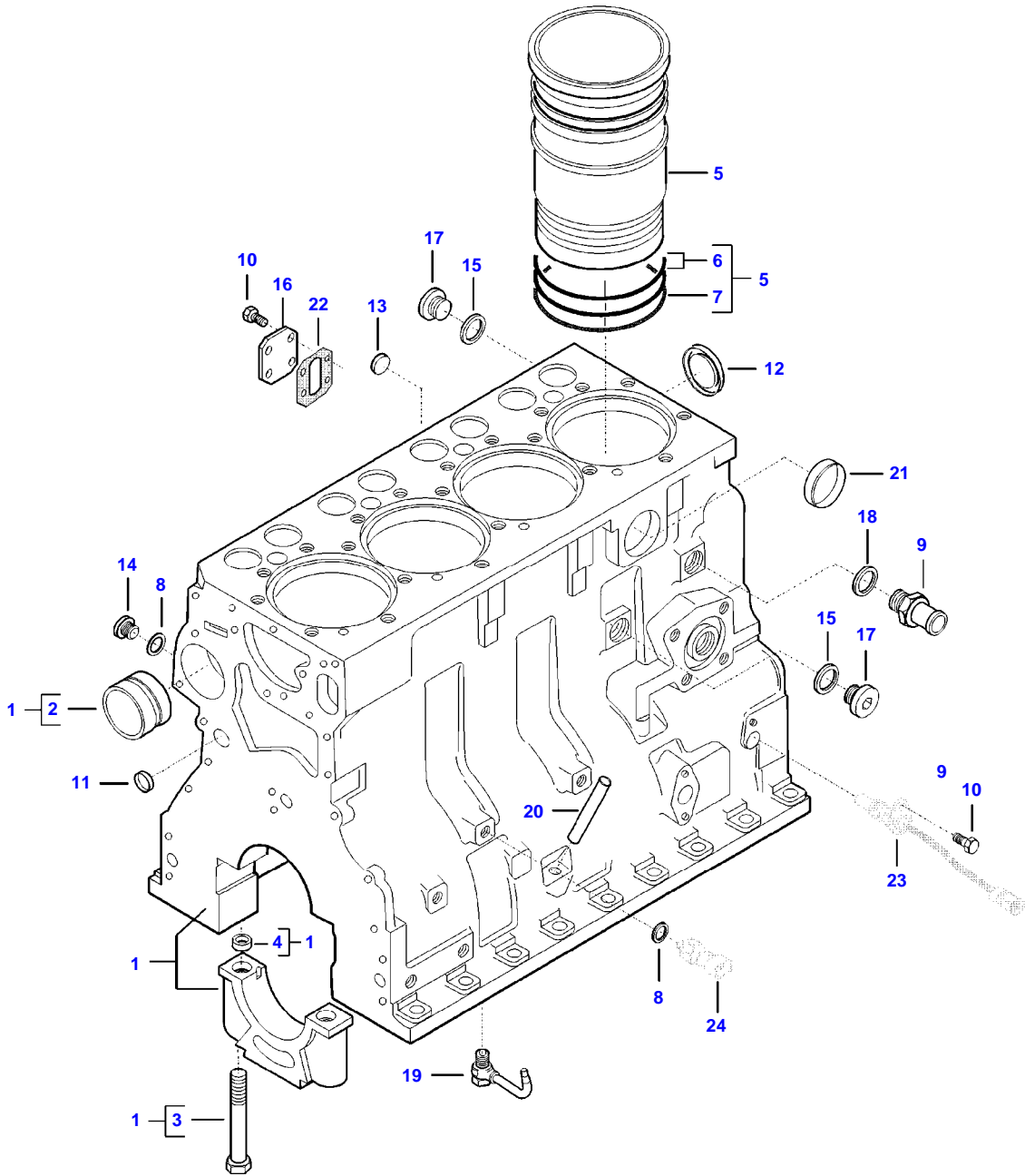
ENGINE ASSEMBLIES

Page01-0002

Item	Part Number	Qty	Description Comments	Technical Specification
1	V834477759	1	ENGINE	44 AWF
2	864491879V	1	LONG BLOCK ENGINE	44 AWF
3	864491664X	1	SHORT BLOCK ENGINE	44 AWF
4	V837079921	1	LABEL ENGINE TYPE PLATE	

FENDT 312 S4 (349/00101-05000) (WAM349XXX00F05001-99999)
AP1B1442

AP1B1442

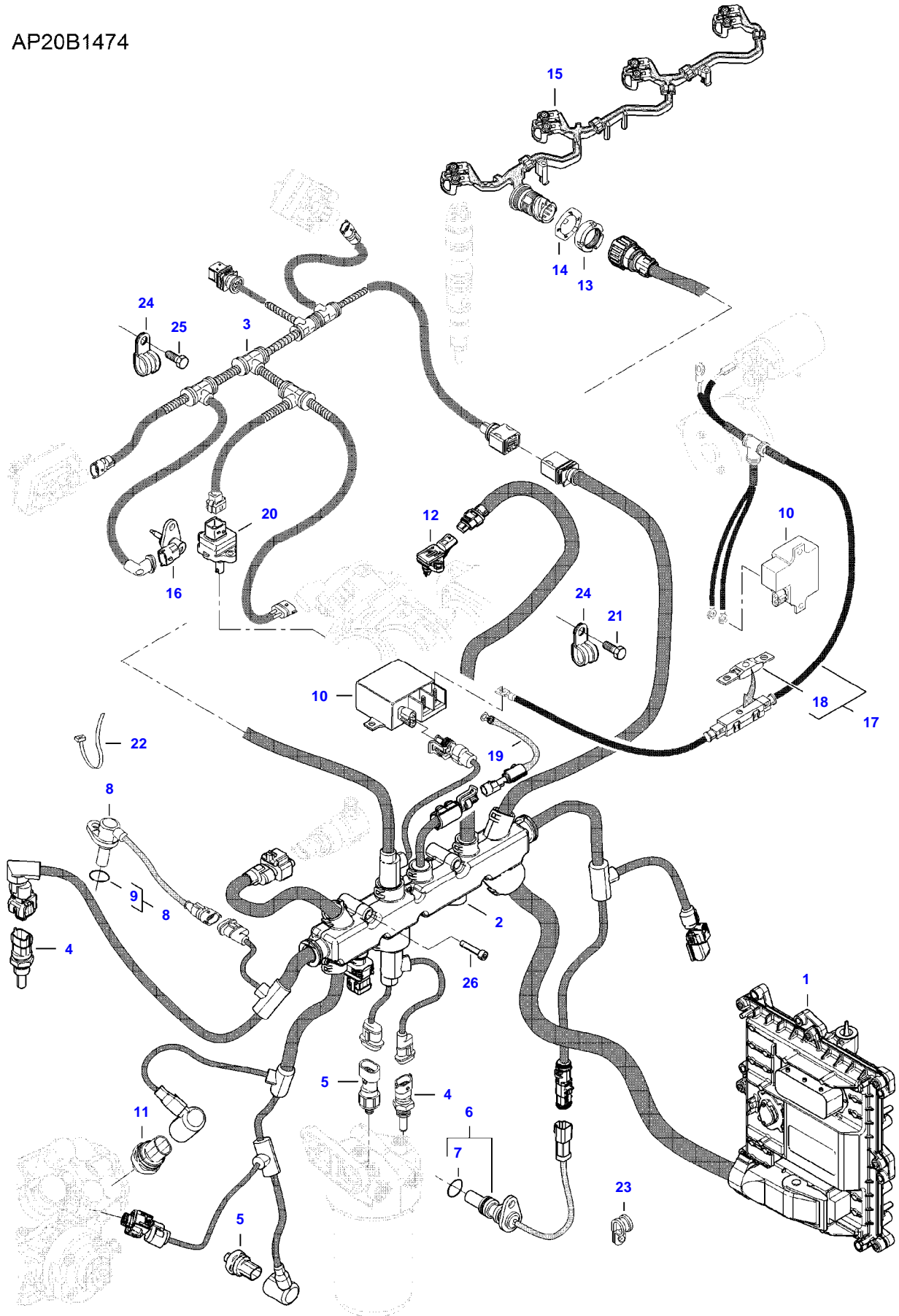


CYLINDER BLOCK

Item	Part Number	Qty	Description Comments
1	V836773437	1	CYLINDER BLOCK
2	V836866069	1	CAMSHAFT BEARING BUSHING (1)
3	V835329030	10	HEX CAP SCREW (1)
4	V836214478	8	GUIDE SLEEVE (1)
5	V836673191	4	LINER
6	V836647502	8	CYLINDER LINER O-RING (5) [B]
7	V836647503	4	CYLINDER LINER O-RING (5) [B]
8	V615871016	5	SEALING WASHER [B]
9	V836119837	1	HOSE COUPLER
10	V528801362	5	HEX CAP SCREW
11	V640016016	4	CUP PLUG [B]
12	V836529872	1	PLUG
13	V640016018	2	CUP PLUG
14	V640325110	4	SCREW PLUG
15	V615881822	2	SEALING WASHER [B]
16	V836866957	1	COVER
17	V640325018	2	PLUG
18	V615881822	1	SEALING WASHER [B]
19	V837074224	4	PISTON COOLING JET
20	V836666910	1	OIL DIPSTICK GUIDE PIPE
21	V640016040	1	CUP PLUG
22	V836866958	1	GASKET [B]
23		1	SEE PAGE 01-0027
24		1	SEE PAGE 01-0027 [B] INCLUDED IN COMPLETE ENGINE GASKET KIT 2

FENDT 312 S4 (349/00101-05000) (WAM349XXX00F05001-99999)
AP20B1474

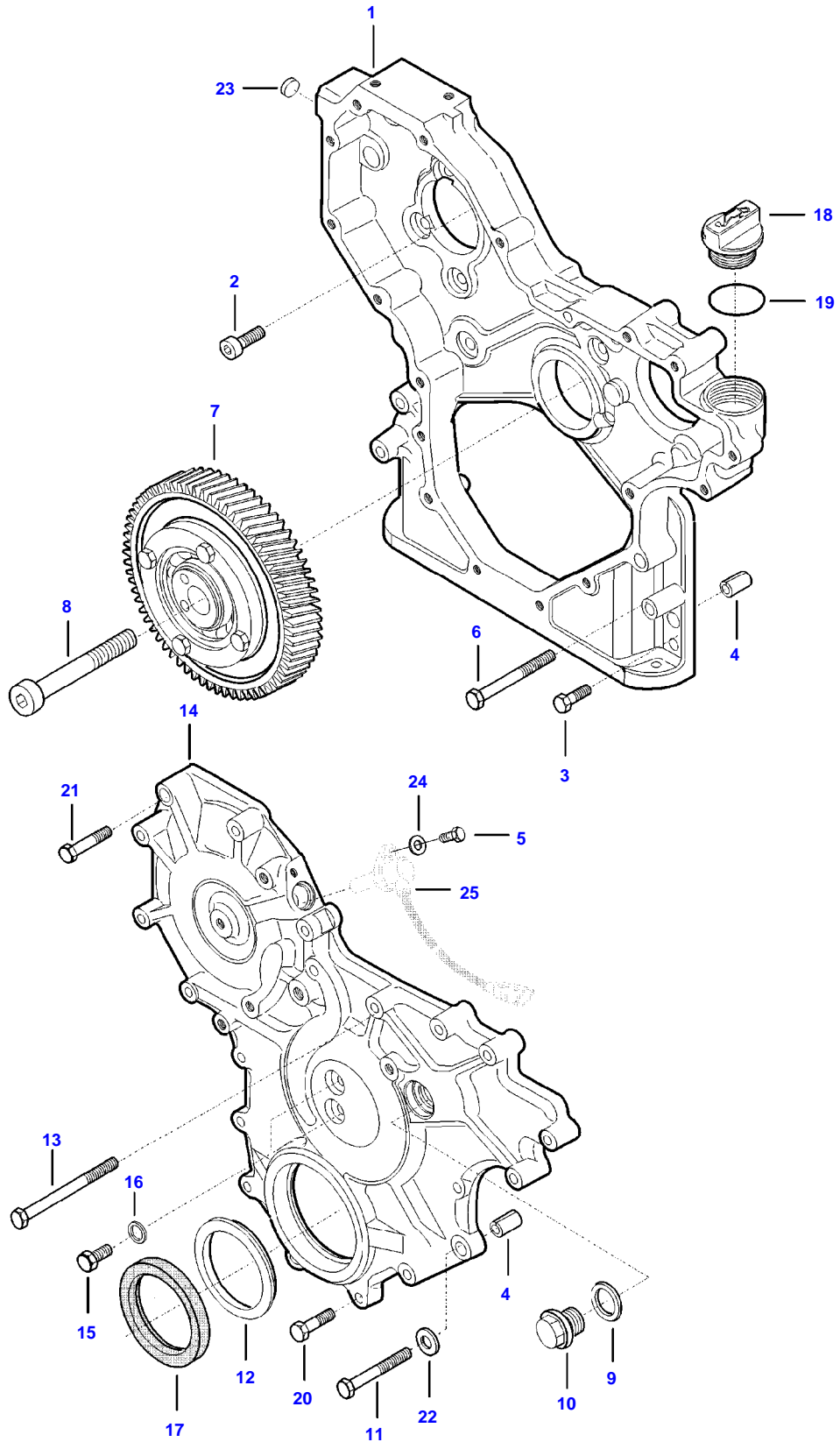
AP20B1474



Item	Part Number	Qty	Description Comments
1	V837074863	1	ENGINE CONTROL UNIT
2	V837084994	1	ENGINE WIRE HARNESS
3	V837084227	1	ENGINE WIRE HARNESS
4	V836667732	2	TEMPERATURE SENSOR
5	V837070201	2	PRESSURE SENSOR
6	V837069150	1	CRANKSHAFT SPEED SENSOR
7	V614601524	1	O-RING (6)
8	V837070189	1	SPEED SENSOR
9	V614601718	1	O-RING (8)
10	V837069047	2	RELAY
11	V837070209	1	PRESSURE SENSOR
12	V837084326	1	BOOST PRESSURE SENSOR
13	V837073921	1	LOCKING RING
14	V837073922	1	LOCKING PLATE
15	V837074692	1	ENGINE WIRE HARNESS
16	V837074507	1	TEMPERATURE SENSOR
17	V837073596	1	WIRE
18	V836662501	1	FUSE (17)
19	V837073594	1	WIRE
20	V837074737	1	MASS AIR FLOW SENSOR (MAF)
21	V528800752	1	HEX CAP SCREW
22	V651754720	10	CABLE TIE
23	V602060610	1	RETAINER CLAMP
24	V602069813	2	RETAINER CLAMP
25	V528801052	2	HEX CAP SCREW
26	V581804252	2	HEX SOCKET SCREW

FENDT 312 S4 (349/00101-05000) (WAM349XXX00F05001-99999)
AP2F1871

AP2F1871

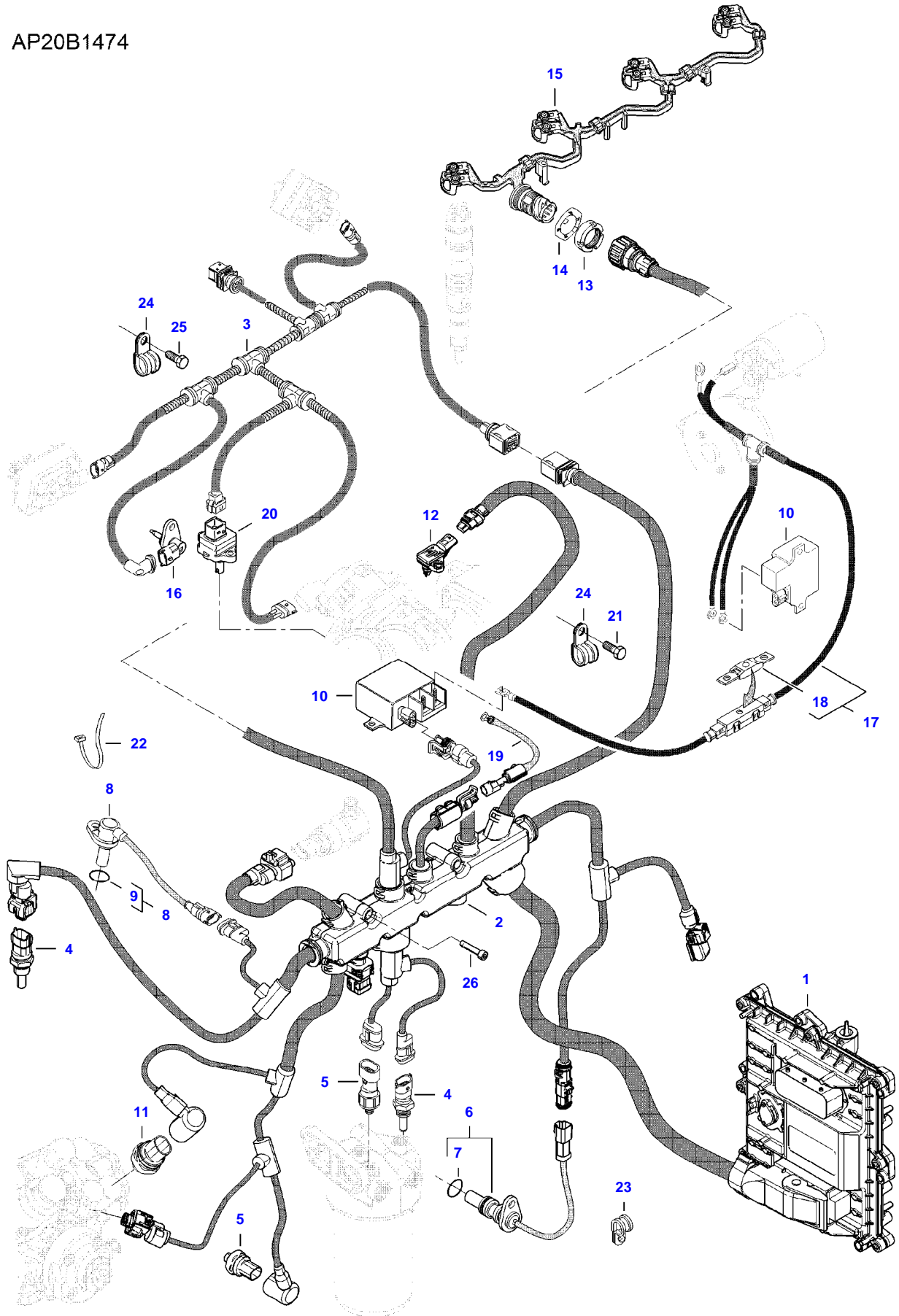


TIMING GEARS AND HOUSING

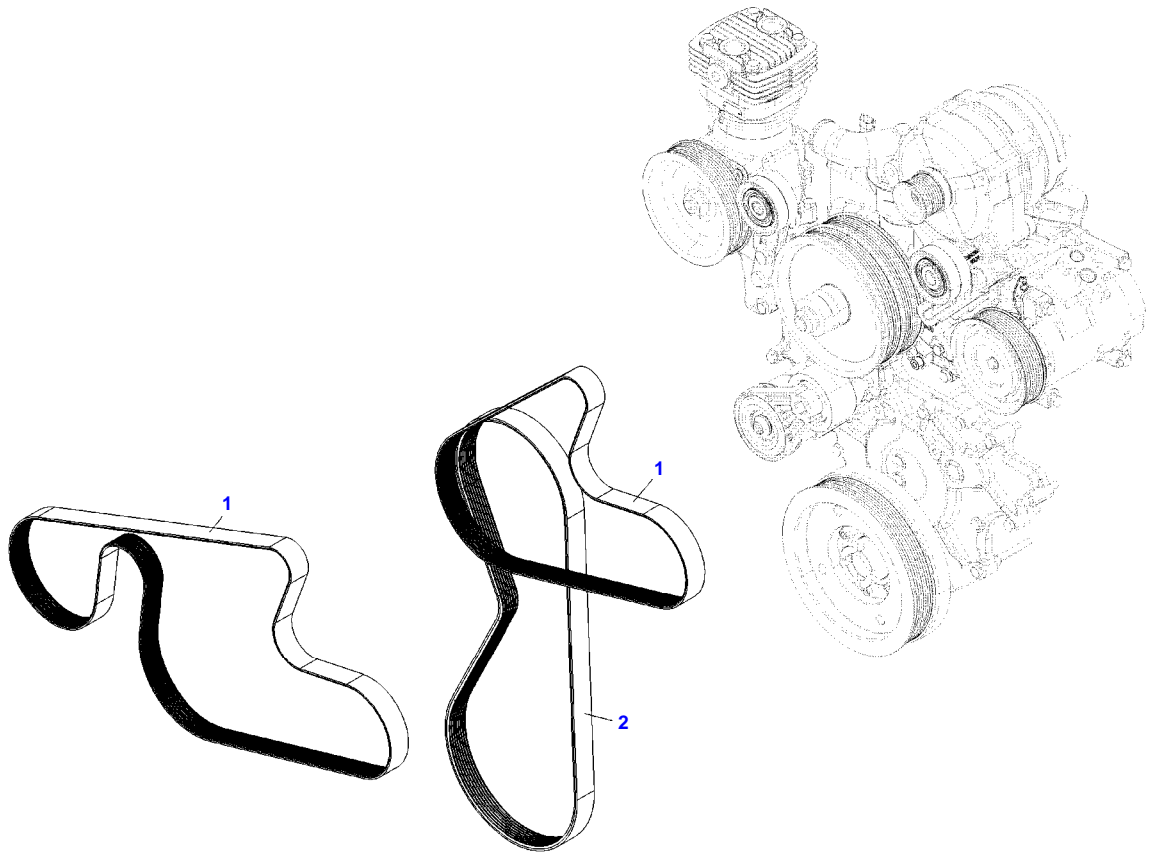
Item	Part Number	Qty	Description Comments
1	V837074705	1	TIMING GEAR CASE
2	V581804602	10	HEX SOCKET SCREW
3	V528801402	2	HEX CAP SCREW
4	V598359850	3	PIN
5	V528801062	1	HEX CAP SCREW
6	V529801470	3	HEX CAP SCREW
7	V837073583	1	IDLER GEAR
8	V581705910	1	HEX SOCKET SCREW
9	V615882227	1	SEALING WASHER [B]
10	V640045022	1	PLUG
11	V529801520	1	HEX CAP SCREW
12	V836855636	1	SHIELD
13	V529801540	1	HEX CAP SCREW
14	V837074707	1	GEAR HOUSING FRONT COVER
15	V528801382	2	HEX CAP SCREW
16	V615870814	2	SEALING WASHER [B]
17	V836840883	1	CRANKSHAFT SEAL [B]
18	V837081106	1	OIL FILLER CAP
19	V614603540	1	O-RING [B]
20	V528801410	7	HEX CAP SCREW
21	V529801440	10	HEX CAP SCREW
22	V836120989	1	WASHER
23	V640016016	1	CUP PLUG
24	V500150642	1	WASHER
25		1	SEE PAGE 01-0027 [B] INCLUDED IN COMPLETE ENGINE GASKET KIT 2

FENDT 312 S4 (349/00101-05000) (WAM349XXX00F05001-99999)
AP20B1474

AP20B1474



Item	Part Number	Qty	Description Comments
1	V837074863	1	ENGINE CONTROL UNIT
2	V837084994	1	ENGINE WIRE HARNESS
3	V837084227	1	ENGINE WIRE HARNESS
4	V836667732	2	TEMPERATURE SENSOR
5	V837070201	2	PRESSURE SENSOR
6	V837069150	1	CRANKSHAFT SPEED SENSOR
7	V614601524	1	O-RING (6)
8	V837070189	1	SPEED SENSOR
9	V614601718	1	O-RING (8)
10	V837069047	2	RELAY
11	V837070209	1	PRESSURE SENSOR
12	V837084326	1	BOOST PRESSURE SENSOR
13	V837073921	1	LOCKING RING
14	V837073922	1	LOCKING PLATE
15	V837074692	1	ENGINE WIRE HARNESS
16	V837074507	1	TEMPERATURE SENSOR
17	V837073596	1	WIRE
18	V836662501	1	FUSE (17)
19	V837073594	1	WIRE
20	V837074737	1	MASS AIR FLOW SENSOR (MAF)
21	V528800752	1	HEX CAP SCREW
22	V651754720	10	CABLE TIE
23	V602060610	1	RETAINER CLAMP
24	V602069813	2	RETAINER CLAMP
25	V528801052	2	HEX CAP SCREW
26	V581804252	2	HEX SOCKET SCREW



F060015



Fendt

FENDT 312 S4 (349/00101-05000) (WAM349XXX00F05001-99999)

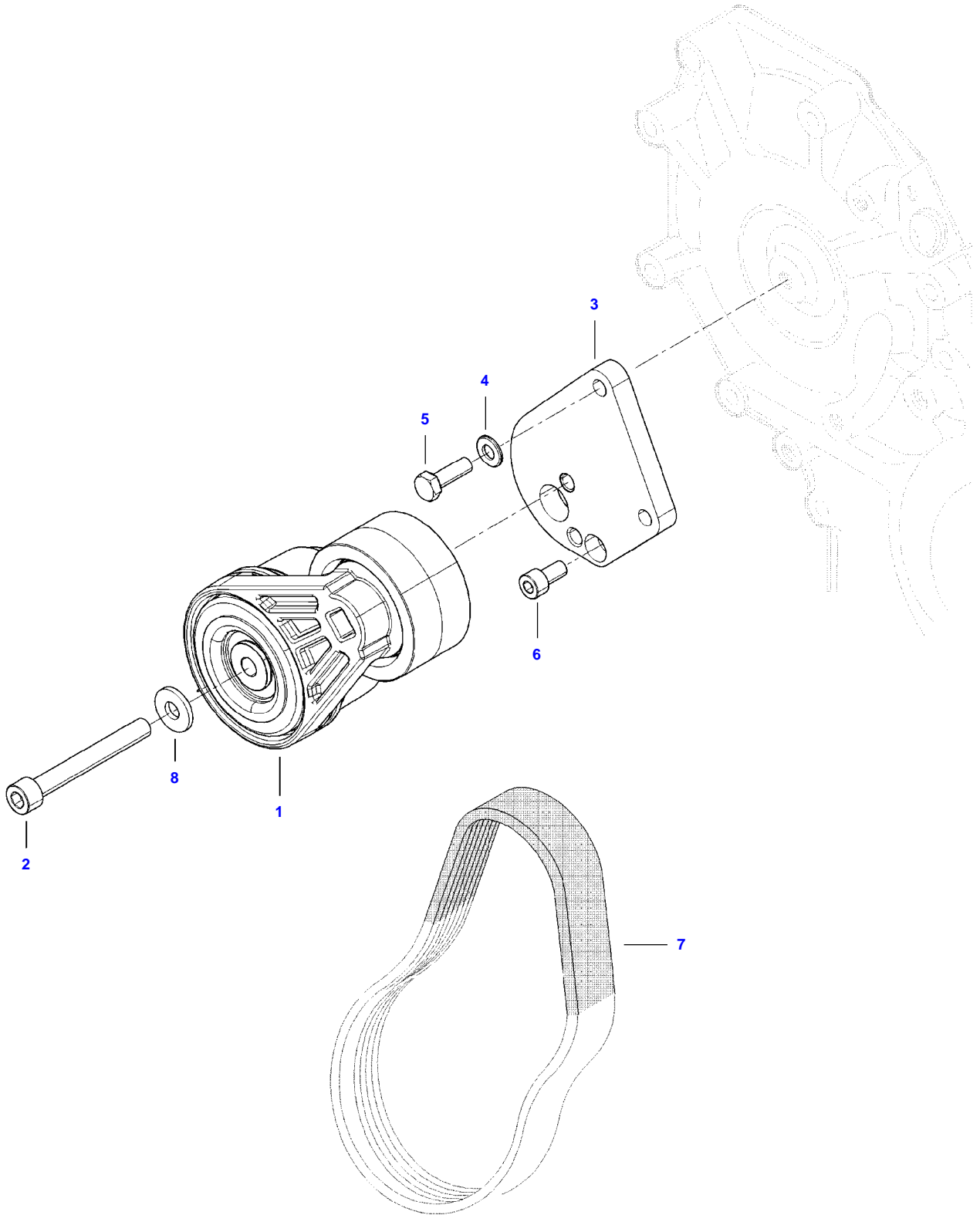
F349000

V-BELT

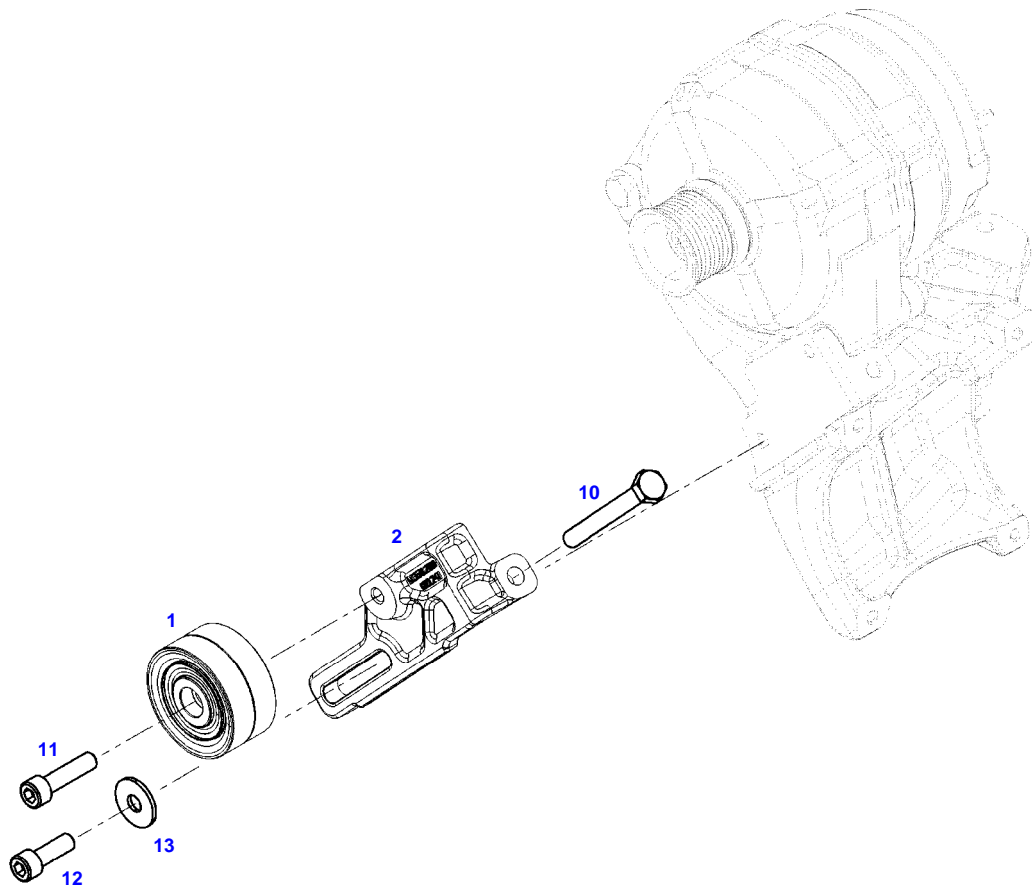
Page01-0005

Item	Part Number	Qty	Description Comments	Technical Specification
1	72614350	1	SERPENTINE BELT WITHOUT BRAKIN SYSTEM	
	72614352	1	SERPENTINE BELT WITH AIR BRAKING EQUIPMENT	_8PK
2			SEE PAGE 01-0006	

AP24B2012



Item	Part Number	Qty	Description Comments
1	V837086282	1	BELT TENSIONER
2	V581705130	1	HEX SOCKET SCREW
3	V837074417	1	BELT TENSIONER BRACKET
4	V500150842	2	WASHER
5	V528801402	2	HEX CAP SCREW
6	V581804582	1	HEX SOCKET SCREW
7	V685081450	1	MULTI-RIBBED BELT
8	V500951002	1	SPRING WASHER



F060010



Fendt

FENDT 312 S4 (349/00101-05000) (WAM349XXX00F05001-99999)

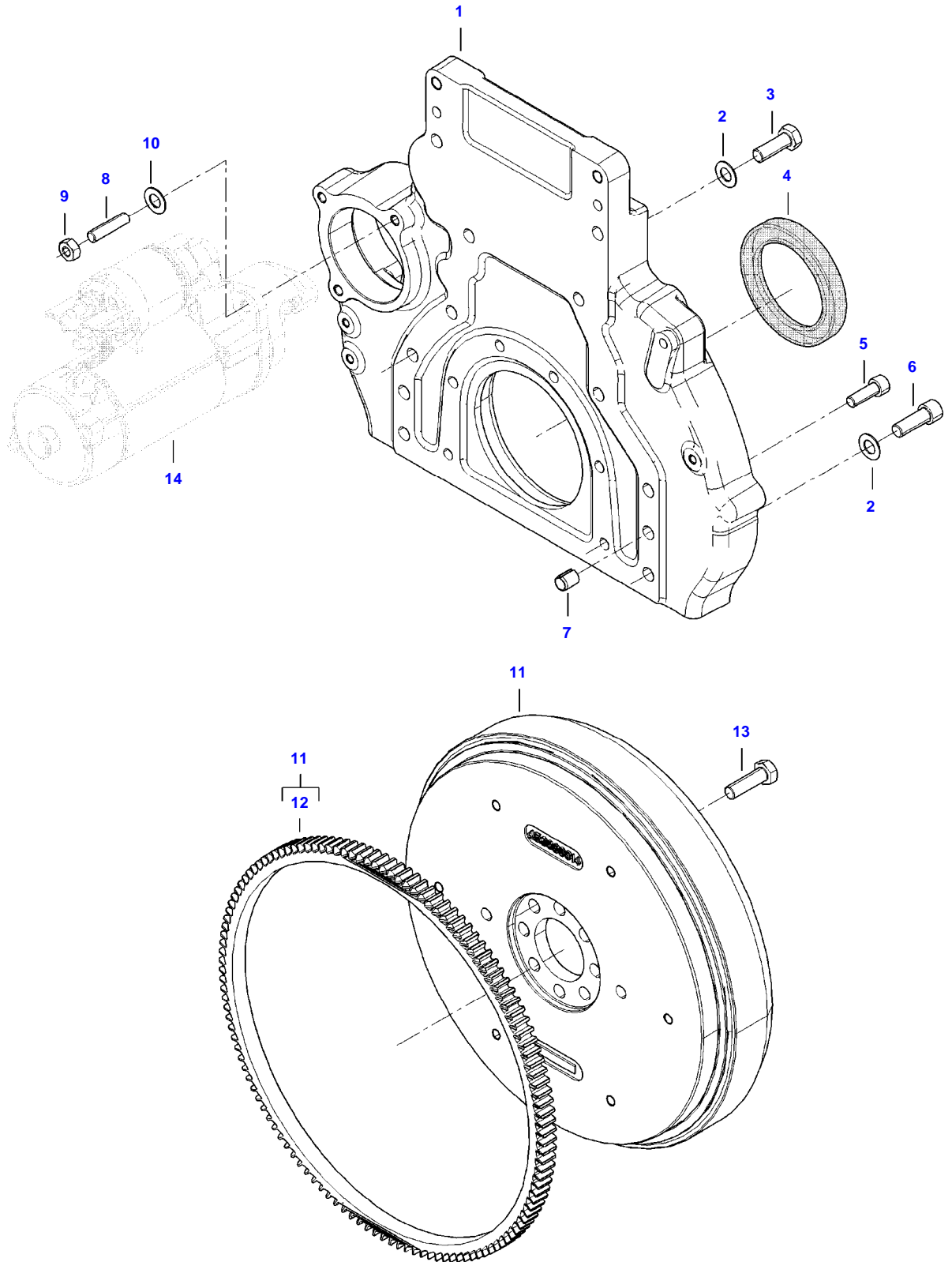
F349000

TENSION ROLLER - ALTERNATOR

Page01-0007

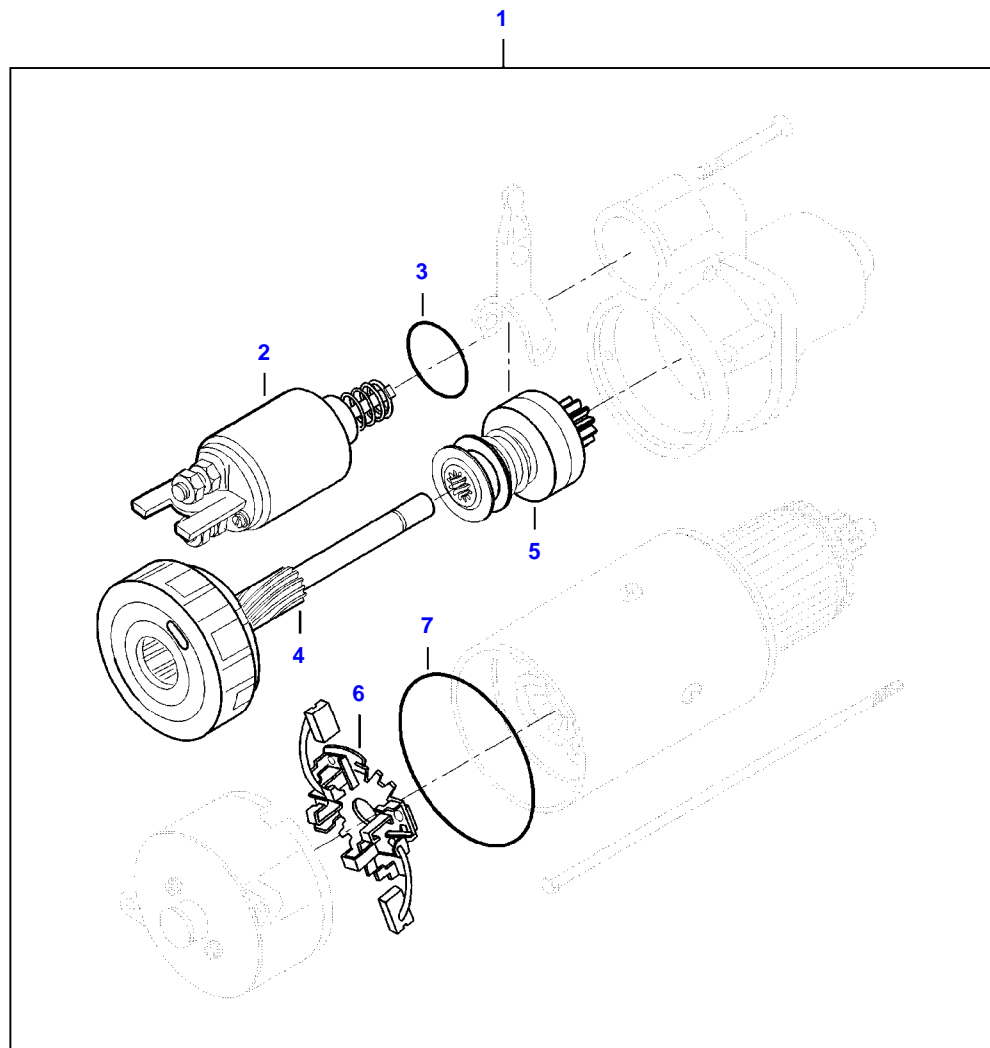
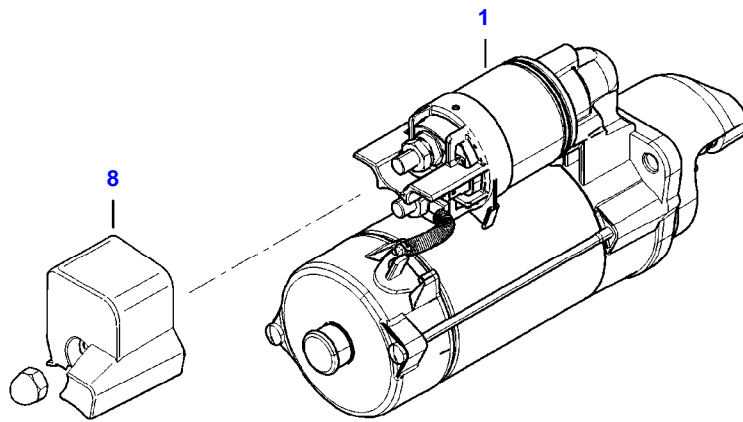
Item	Part Number	Qty	Description Comments	Technical Specification
1	72614349	1	IDLER PULLEY	
2	72616753	1	TENSIONER	
10	72315699	1	HEXAGONAL HEAD BOLT	DIN 933 M10X90-8.8A3L
11	72315498	1	SOCKET HEAD BOLT	DIN 912 M10X40-8.8 OB1-SW
12	72315685	1	HEXAGONAL HEAD BOLT	DIN 933 M10X30-8.8A3L
13	72311829	1	DISC	DIN 7349-10,5-ST.A3L

AP3B1448



Item	Part Number	Qty	Description Comments
1	V837074652	1	FLYWHEEL HOUSING
2	V500951202	8	SPRING WASHER
3	V528702220	6	HEX CAP SCREW
4	V837091172	1	CRANKSHAFT SEAL [B]
5	V581705030	6	HEX SOCKET SCREW
6	V581705440	2	HEX SOCKET SCREW
7	V598359850	2	PIN
8	V546801810	3	STUD BOLT
9	V504601002	3	NUT
10	V500951002	3	SPRING WASHER
11	V837086015	1	FLYWHEEL
12	V836117970	1	STARTER RING (11)
13	V528702230	8	HEX CAP SCREW
14		1	SEE PAGE 01-0029 [B] INCLUDED IN COMPLETE ENGINE GASKET KIT 2

AP22D1074

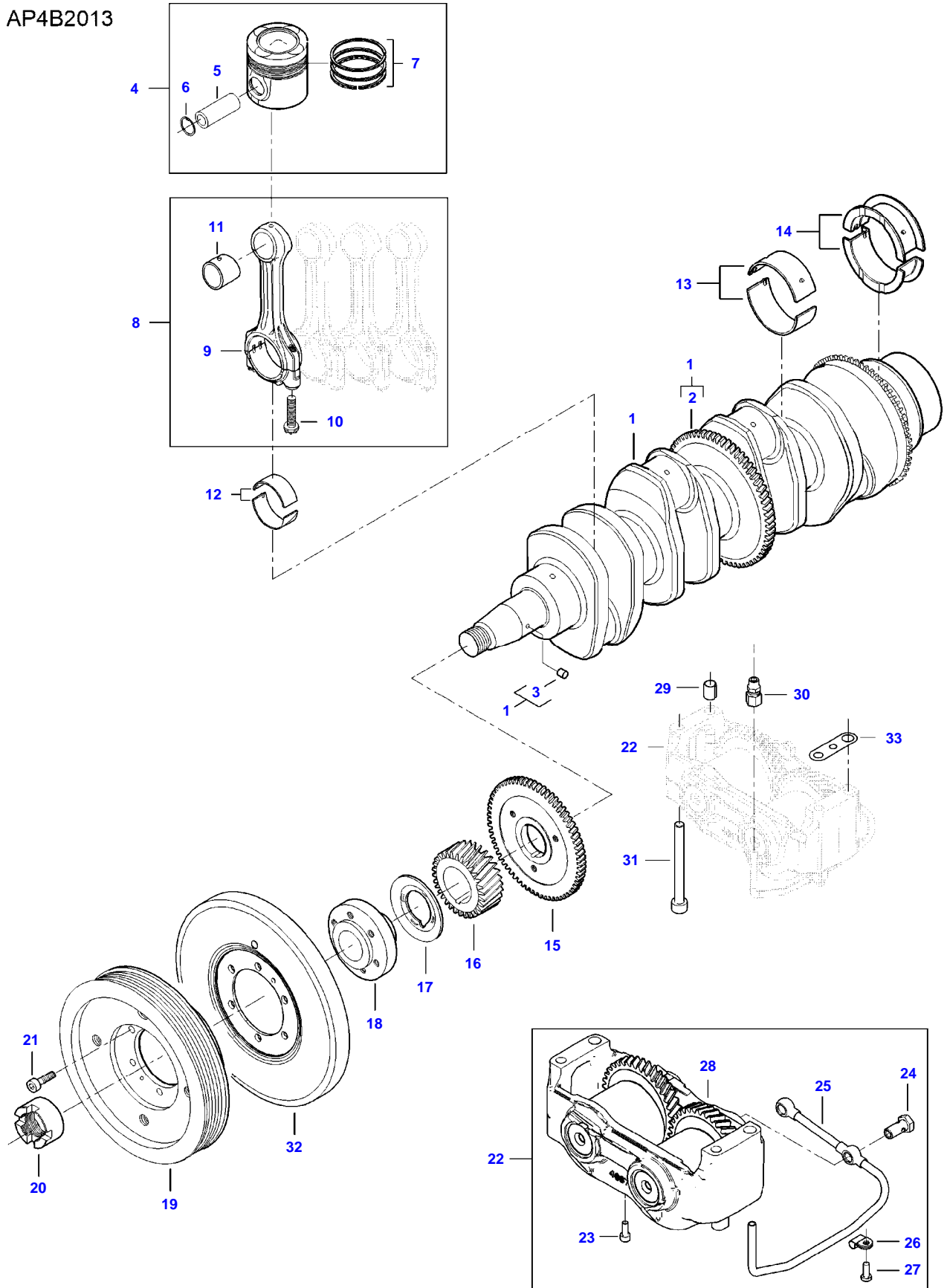


STARTER MOTOR

Item	Part Number	Qty	Description Comments
1	V836873457	1	STARTER MOTOR
2	V836879293	1	SOLENOID (1)
3	V836879294	1	GASKET (1)
4	V836879295	1	PLANET GEAR (1)
5	V836879296	1	BENDIX DRIVE (1)
6	V836879297	1	KIT,BRUSH HOLDER (1)
7	V836879298	2	O-RING (1)
8	V836873458	1	COVER

FENDT 312 S4 (349/00101-05000) (WAM349XXX00F05001-99999)
AP4B2013

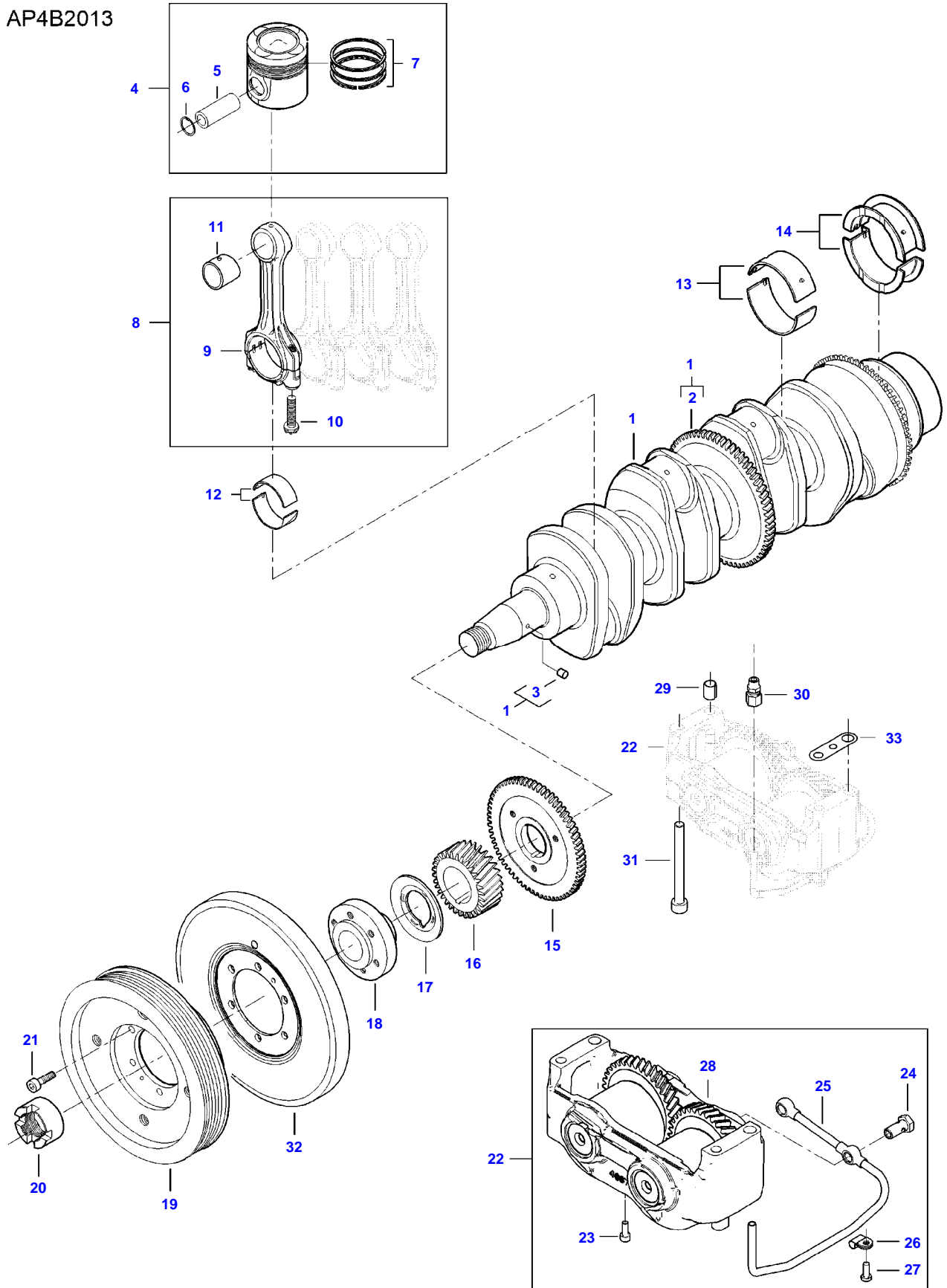
AP4B2013



Item	Part Number	Qty	Description Comments	Technical Specification
1	V837074340	1	CRANKSHAFT	
2	V836124524	1	GEAR (1)	
3	V836867857	1	KEY (1)	
4	V837074081	4	PISTON	
5		4	NOT AVAILABLE AS SINGLE PART (4)	
6		8	NOT AVAILABLE AS SINGLE PART (4)	
7	V837079460	4	PISTON RING KIT (4)	
8	V836740859	1	CONNECTING ROD KIT	
9		4	NOT AVAILABLE AS SINGLE PART (8)	
10	V836864141	8	CONNECTING ROD BOLT (8)	
11	V836110646	4	BEARING BUSH (8),(9)	STD
12	V836179781	4	CONROD BEARING	STD
13	V836655514	4	MAIN BEARING	
14	V836679154	1	MAIN BEARING	
15	V836674069	1	GEAR,CRANKSHAFT	
16	V837073560	1	GEAR,CRANKSHAFT	
17	V836855637	1	RING	
18	V837073677	1	CRANKSHAFT HUB	
19	V837084287	1	CRANKSHAFT PULLEY	
20	V836847641	1	CRANKSHAFT NUT	
21	V577904620	6	HEX SOCKET SCREW	
22	V837084821	1	COUNTERWEIGHT	
23	V581804182	2	HEX SOCKET SCREW (22)	
24	ACW2388530	2	BANJO BOLT (22)	
25	V836747478	1	OIL PIPE (22)	
26	V602071608	1	HOSE CLIP (22)	
27	V528801062	1	HEX CAP SCREW (22)	
28			NOT AVAILABLE AS SINGLE PART (22)	
29	V598359850	2	PIN	
30	V641016008	1	STRAIGHT FITTING	
31	V581805170	4	HEX SOCKET SCREW	
32	V837084282	1	CRANKSHAFT VIBRATION DAMPENER	
33	V836119920		SHIM AS REQUIRED, REFER TO WORKSHOP MANUAL	

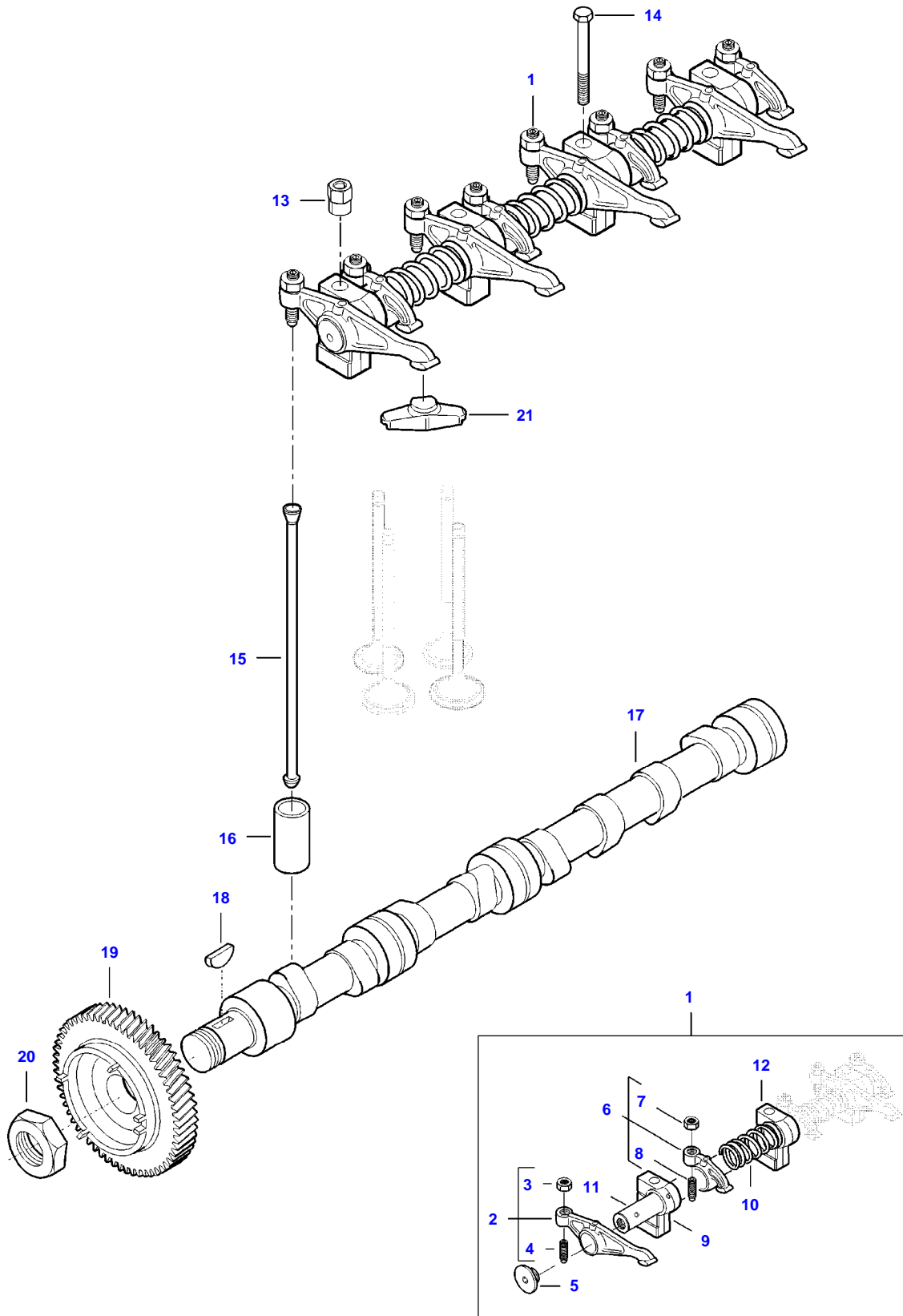
FENDT 312 S4 (349/00101-05000) (WAM349XXX00F05001-99999)
AP4B2013

AP4B2013



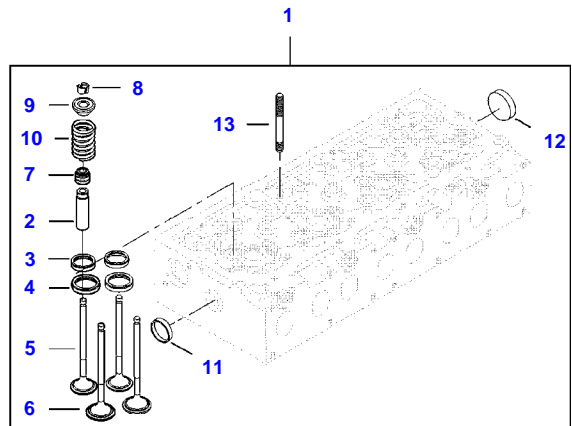
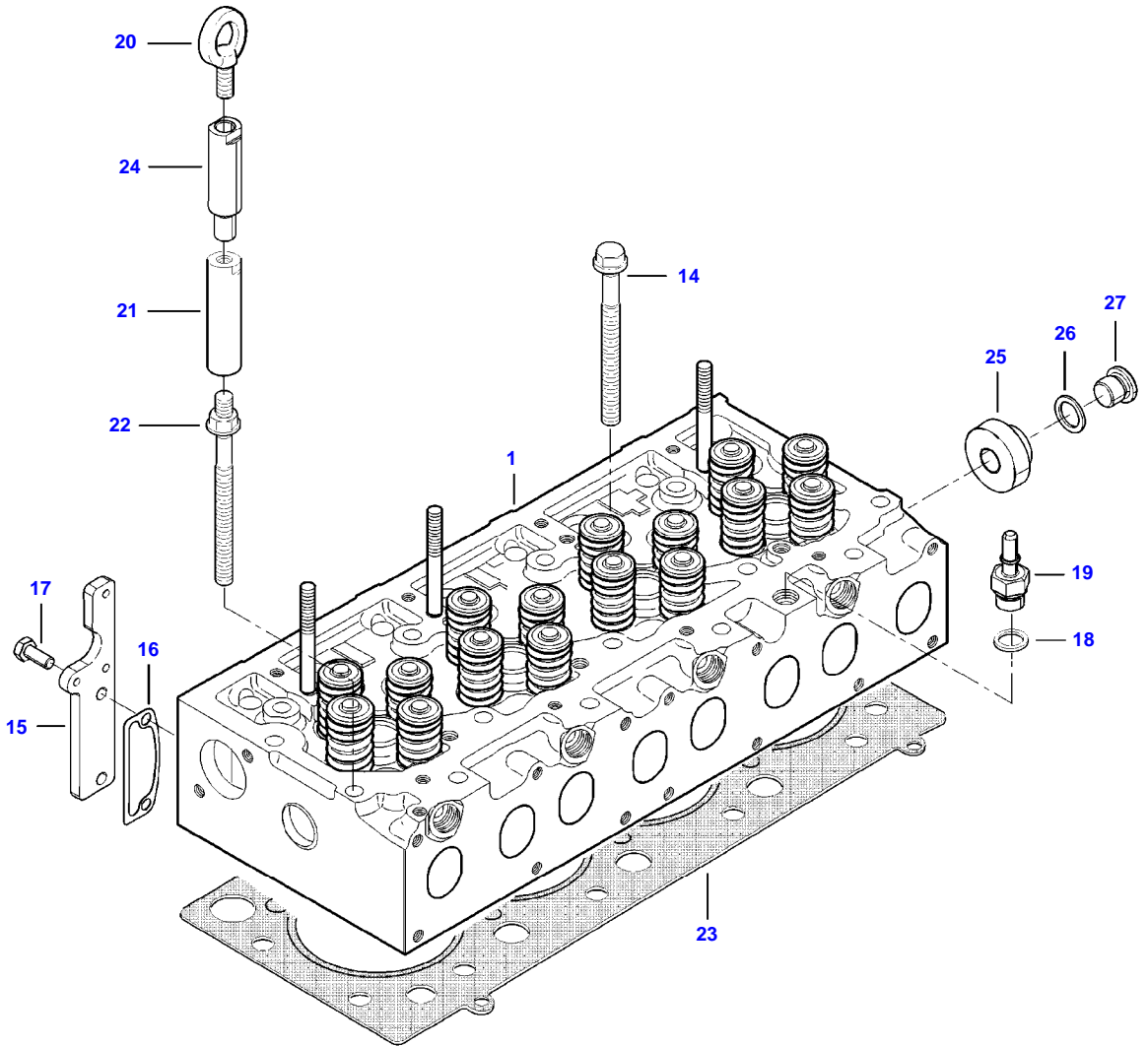
Item	Part Number	Qty	Description Comments	Technical Specification
1	V837074340	1	CRANKSHAFT	
2	V836124524	1	GEAR (1)	
3	V836867857	1	KEY (1)	
4	V837086208	4	PISTON	
5		4	NOT AVAILABLE AS SINGLE PART (4)	
6		8	NOT AVAILABLE AS SINGLE PART (4)	
7	V837079460	4	PISTON RING KIT (4)	
8	V836740859	1	CONNECTING ROD KIT	
9		4	NOT AVAILABLE AS SINGLE PART (8)	
10	V836864141	8	CONNECTING ROD BOLT (8)	
11	V836110646	4	BEARING BUSH (8),(9)	STD
12	V836179781	4	CONROD BEARING	STD
13	V836655514	4	MAIN BEARING	
14	V836679154	1	MAIN BEARING	
15	V836674069	1	GEAR,CRANKSHAFT	
16	V837073560	1	GEAR,CRANKSHAFT	
17	V836855637	1	RING	
18	V837073677	1	CRANKSHAFT HUB	
19	V837084287	1	CRANKSHAFT PULLEY	
20	V836847641	1	CRANKSHAFT NUT	
21	V577904620	6	HEX SOCKET SCREW	
22	V837084821	1	COUNTERWEIGHT	
23	V581804182	2	HEX SOCKET SCREW (22)	
24	ACW2388530	2	BANJO BOLT (22)	
25	V836747478	1	OIL PIPE (22)	
26	V602071608	1	HOSE CLIP (22)	
27	V528801062	1	HEX CAP SCREW (22)	
28			NOT AVAILABLE AS SINGLE PART (22)	
29	V598359850	2	PIN	
30	V641016008	1	STRAIGHT FITTING	
31	V581805170	4	HEX SOCKET SCREW	
32	V837084282	1	CRANKSHAFT VIBRATION DAMPENER	
33	V836119920		SHIM AS REQUIRED, REFER TO WORKSHOP MANUAL	

AP5B1960



Item	Part Number	Qty	Description Comments
1	V837070105	1	ROCKER SHAFT ASM
2	V837069011	4	ROCKER ARM (1)
3	V512861000	4	NUT (1),(2)
4	V837069023	4	VALVE ROCKER ADJUSTMENT SCREW (1),(2)
5	V837069020	2	PLUG (1)
6	V837069013	4	ROCKER ARM (1)
7	V512861000	4	NUT (1),(6)
8	V837069023	4	VALVE ROCKER ADJUSTMENT SCREW (1),(6)
9	V837069017	3	ROCKER SHAFT BRACKET (1)
10	V837069019	3	SPRING (1)
11	V837070104	1	SHAFT (1)
12	V837069018	1	ROCKER SHAFT BRACKET (1)
13	V836655406	3	SLEEVE NUT
14	V529801912	1	HEX CAP SCREW
15	V837084417	8	PUSH ROD
16	V836014264	8	TAPPET
17	V837073039	1	CAMSHAFT
18	V603305760	1	WOODRUFF KEY
19	V837073674	1	GEAR,CAMSHAFT
20	V837069085	1	NUT
21	V837073089	8	VALVE BRIDGE

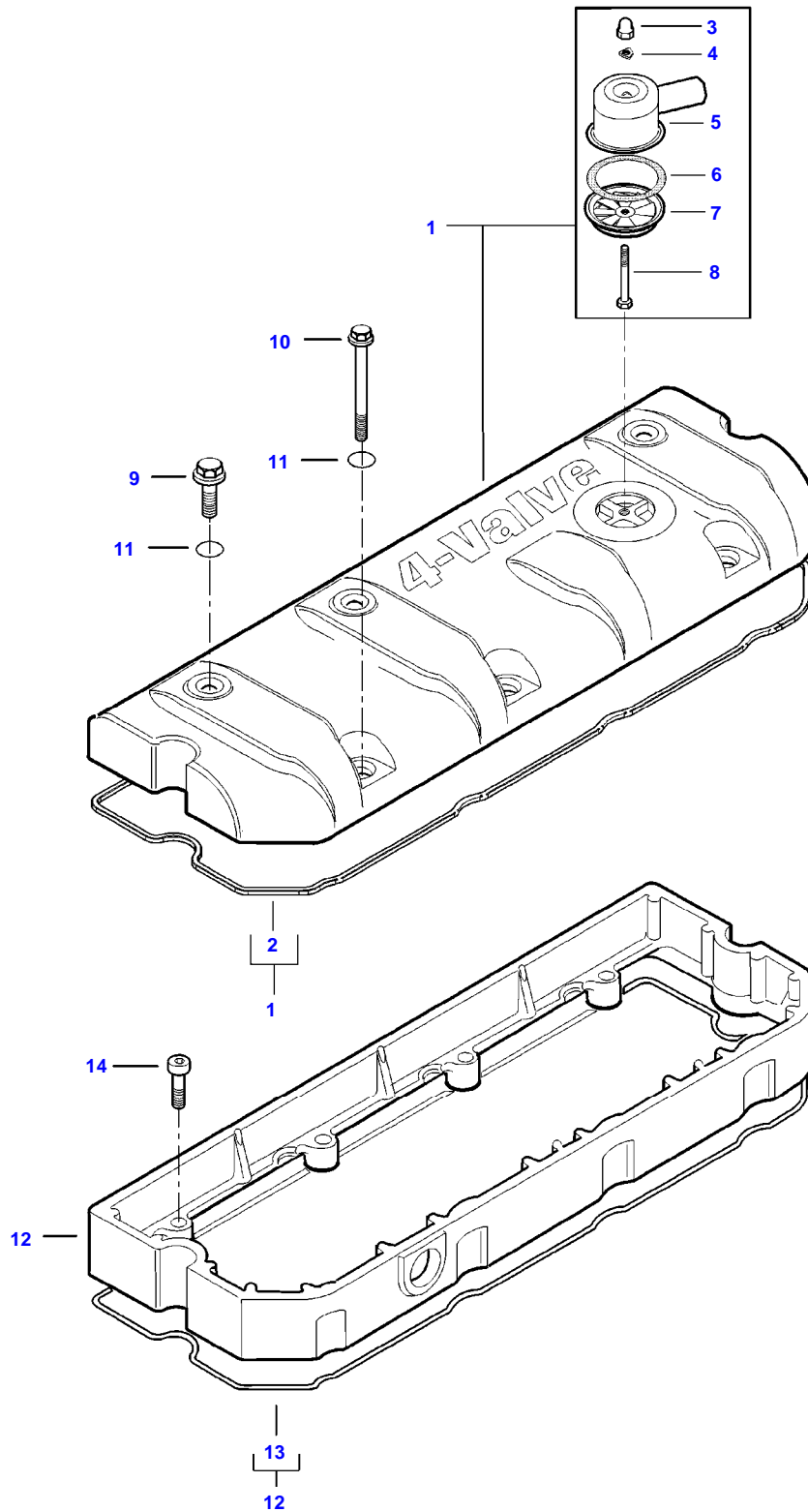
AP6B2014



CYLINDER HEAD

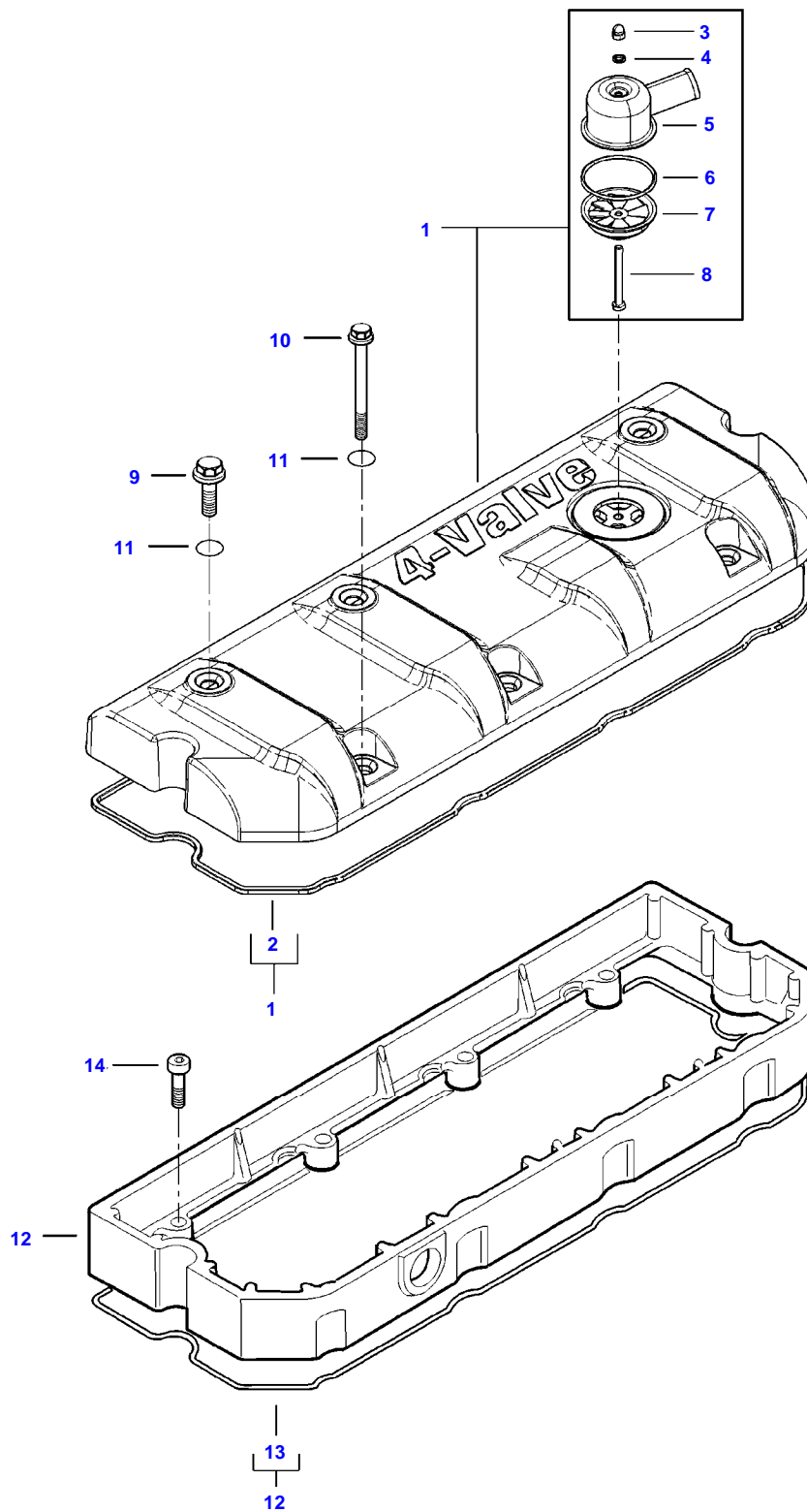
Item	Part Number	Qty	Description Comments	Technical Specification
1	V837073202	1	CYLINDER HEAD	
2	V837073174	16	VALVE GUIDE (1)	
3	V837064907	8	VALVE SEAT (1)	STD 4V EXHAUST
4	V837064908	8	VALVE SEAT (1)	STD 4V INTAKE
5	V837069002	8	EXHAUST VALVE (1)	
6	V837069003	8	INTAKE VALVE (1)	
7	V837073165	16	VALVE STEM GASKET (1) [A]	
8	V837064910	32	COTTER (1)	
9	V837069004	16	SPRING PLATE (1)	
10	V837069005	16	VALVE SPRING (1)	
11	V836647942	5	CUP PLUG (1)	
12	V640016045	1	CUP PLUG (1)	
13	V546901900	3	STUD BOLT (1)	
14	V837069025	18	CYLINDER HEAD BOLT	
15	V837084151	1	PLATE	
16	V836867753	1	GASKET [A]	
17	V528801800	2	HEX CAP SCREW	
18	V615881822	1	SEALING WASHER [A]	
19	V837084995	1	MALE COUPLER	
20	V836640752	2	LIFT EYE	
21	V836867567	2	LIFTING EYE EXTENSION	
22	V837073571	4	CYLINDER HEAD BOLT	
23	V837084524	1	CYLINDER HEAD GASKET [A]	
24	V837074991	1	EXTENSION	
25	V837084863	1	FITTING	
26	V615881420	1	SEALING WASHER	
27	V640325014	1	PLUG	
			[A] INCLUDED IN CYLINDER HEAD GASKET KIT 1	

AP35B2021



Item	Part Number	Qty	Description Comments
1	V837084225	1	VALVE ROCKER COVER
2	V837070128	1	VALVE ROCKER COVER GASKET (1) [A]
3	V519600602	1	NUT (1)
4	V836667508	1	SEALING WASHER (1)
5	V837070442	1	BREATHER CAP (1)
6	V836667459	1	GASKET (1)
7	V837070443	1	BREATHER (1)
8	V528801172	1	HEX CAP SCREW (1)
9	V540801782	3	HEXAGON FLANGE BOLT
10	V540801912	3	HEXAGON FLANGE BOLT
11	V614901030	6	O-RING [A]
12	V837084224	1	VALVE ROCKER COVER FRAME
13	V837070128	1	VALVE ROCKER COVER GASKET (12) [A]
14	V581804632	4	HEX SOCKET SCREW [A] INCLUDED IN CYLINDER HEAD GASKET KIT 1

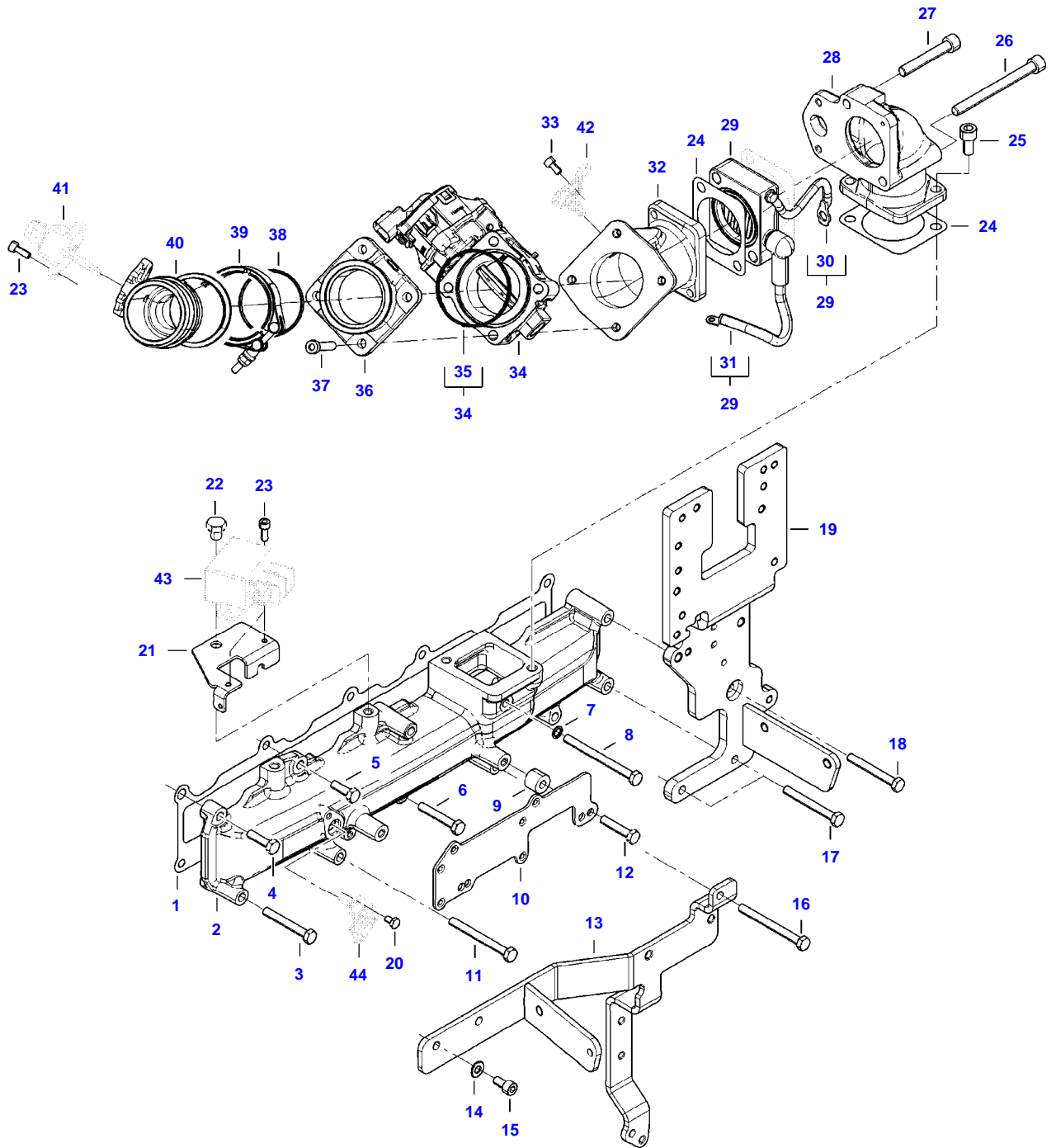
AP35B1963



Item	Part Number	Qty	Description Comments
1	V837086138	1	VALVE ROCKER COVER
2	V837070128	1	VALVE ROCKER COVER GASKET (1) [A]
3	V519600602	1	NUT (1)
4	V836684766	1	SEALING WASHER (1)
5	V837070442	1	BREATHER CAP (1)
6	V614605930	1	O-RING (1)
7	V837070443	1	BREATHER (1)
8	V528801172	1	HEX CAP SCREW (1)
9	V540801782	3	HEXAGON FLANGE BOLT
10	V540801912	3	HEXAGON FLANGE BOLT
11	V614901030	6	O-RING [A]
12	V837084224	1	VALVE ROCKER COVER FRAME
13	V837070128	1	VALVE ROCKER COVER GASKET (12) [A]
14	V581804632	4	HEX SOCKET SCREW [A] INCLUDED IN CYLINDER HEAD GASKET KIT 1

FENDT 312 S4 (349/00101-05000) (WAM349XXX00F05001-99999)
AP7B2015

AP7B2015



Thank you so much for reading.
Please click the “Buy Now!”
button below to download the
complete manual.



After you pay.

You can download the most
perfect and complete manual in
the world immediately.

Our support email:

ebooklibonline@outlook.com