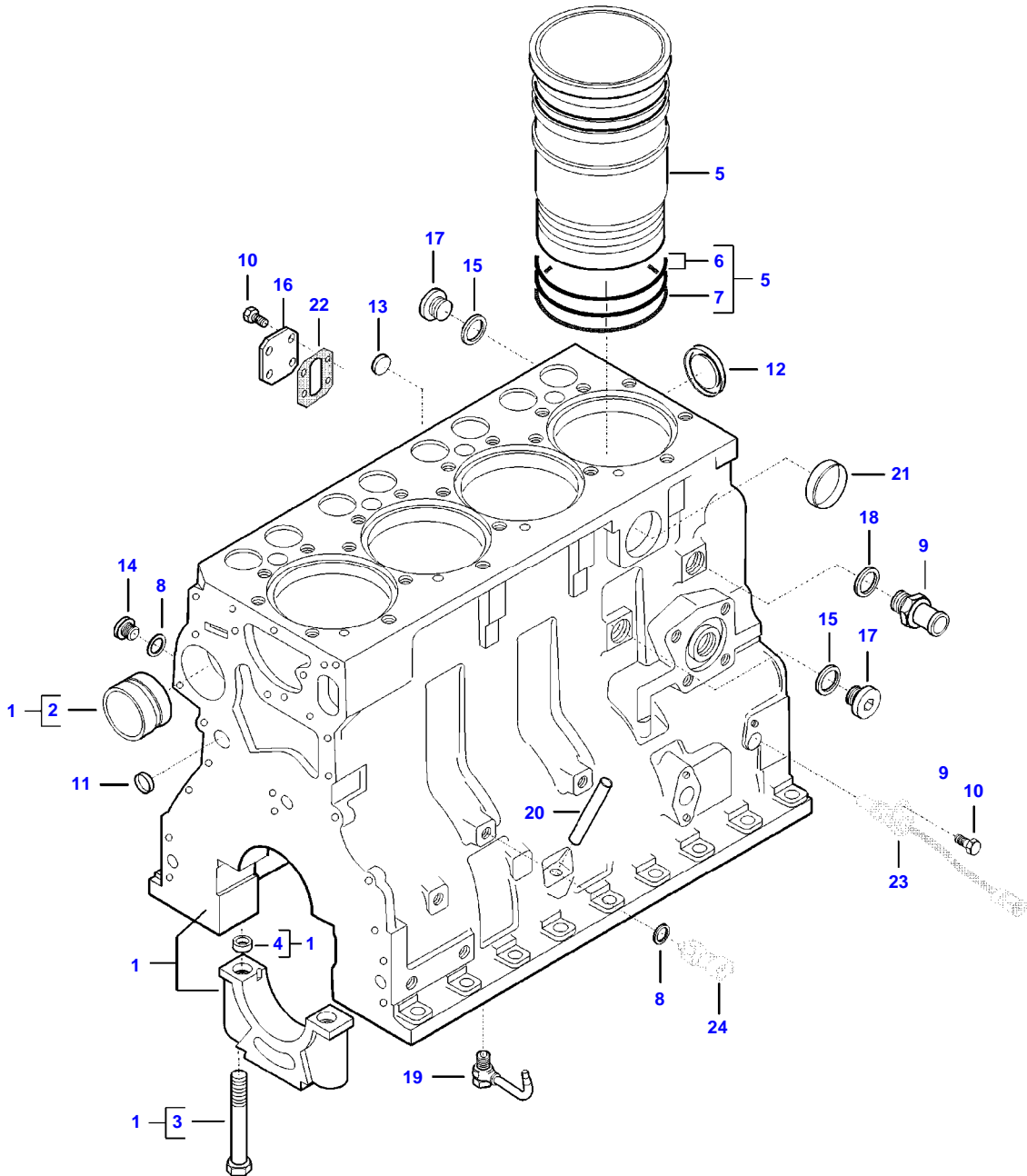


TABLE OF CONTENT

| Page Number | Page Title | Page Reference |
|--------------------|-------------------------------------|-----------------------|
| 01-000-TOC | ENGINE, FUEL AND EXHAUST SYSTEM | 01-000-TOC |
| 02-000-TOC | AXLES | 02-000-TOC |
| 03-000-TOC | STEERING SYSTEM | 03-000-TOC |
| 04-000-TOC | DRIVE TRAIN SYSTEM | 04-000-TOC |
| 05-000-TOC | COMPRESSED AIR SYSTEM | 05-000-TOC |
| 06-000-TOC | HYDRAULIC SYSTEM | 06-000-TOC |
| 07-000-TOC | ELECTRICAL SYSTEM | 07-000-TOC |
| 08-000-TOC | CAB | 08-000-TOC |
| 09-000-TOC | AIR CONDITIONING AND HEATING SYSTEM | 09-000-TOC |
| 10-000-TOC | CHASSIS | 10-000-TOC |
| 11-000-TOC | WHEELS | 11-000-TOC |
| 12-000-TOC | IMPLEMENT LIFT SYSTEM FRONT | 12-000-TOC |
| 13-000-TOC | IMPLEMENT LIFT SYSTEM REAR | 13-000-TOC |
| 14-000-TOC | LINKAGE | 14-000-TOC |
| 15-000-TOC | FRONT/REAR LOADERS | 15-000-TOC |
| 16-000-TOC | PRECISION FARMING SYSTEMS | 16-000-TOC |
| 17-000-TOC | ACCESSORIES | 17-000-TOC |

FENDT 313 S4 (350/00101-05000) (WAM350XXX00F05001-99999)
AP1B1442

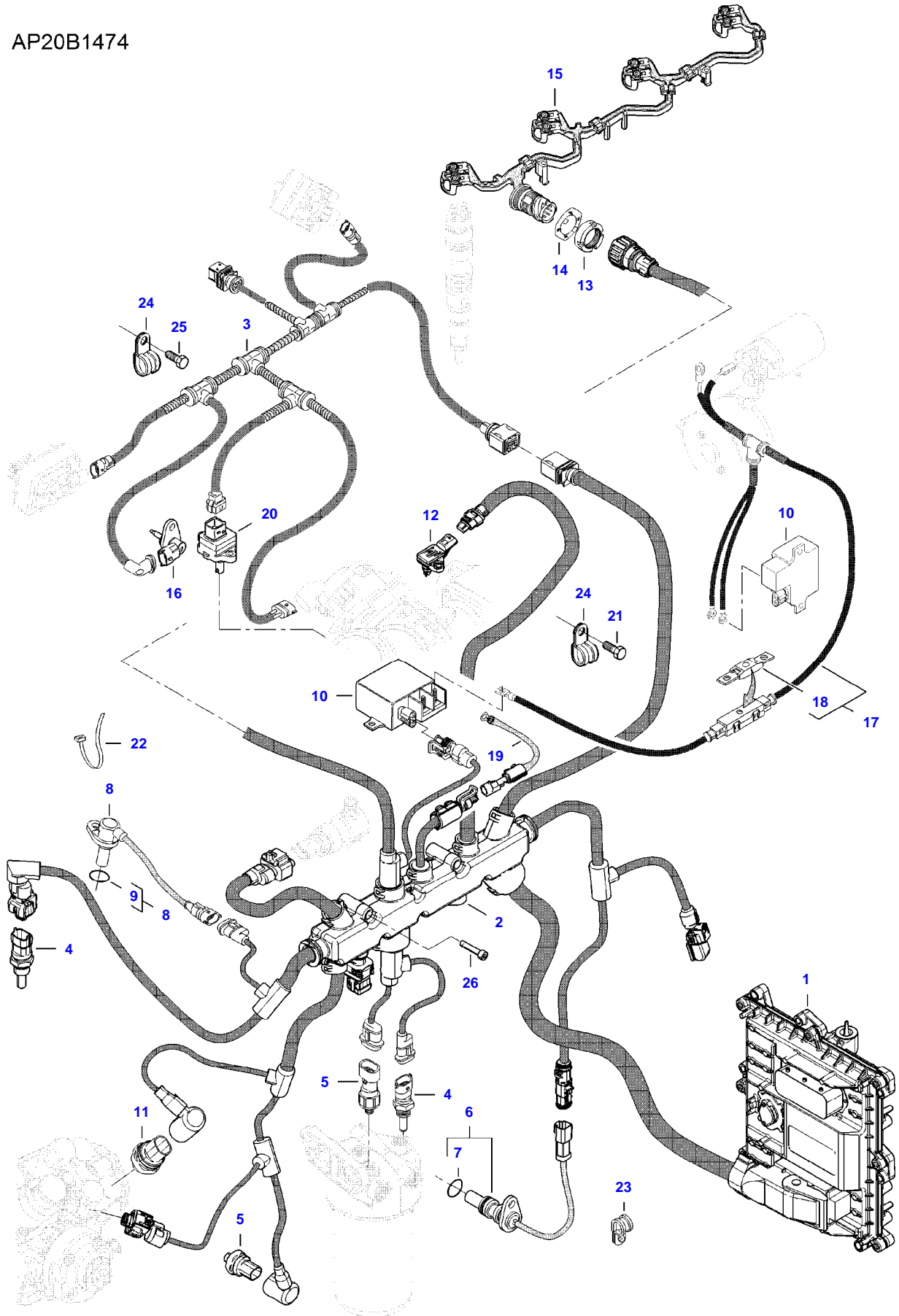
AP1B1442



CYLINDER BLOCK

| Item | Part Number | Qty | Description Comments |
|------|-------------|-----|--|
| 1 | V836773437 | 1 | CYLINDER BLOCK |
| 2 | V836866069 | 1 | CAMSHAFT BEARING BUSHING (1) |
| 3 | V835329030 | 10 | HEX CAP SCREW (1) |
| 4 | V836214478 | 8 | GUIDE SLEEVE (1) |
| 5 | V836673191 | 4 | LINER |
| 6 | V836647502 | 8 | CYLINDER LINER O-RING (5) [B] |
| 7 | V836647503 | 4 | CYLINDER LINER O-RING (5) [B] |
| 8 | V615871016 | 5 | SEALING WASHER [B] |
| 9 | V836119837 | 1 | HOSE COUPLER |
| 10 | V528801362 | 5 | HEX CAP SCREW |
| 11 | V640016016 | 4 | CUP PLUG [B] |
| 12 | V836529872 | 1 | PLUG |
| 13 | V640016018 | 2 | CUP PLUG |
| 14 | V640325110 | 4 | SCREW PLUG |
| 15 | V615881822 | 2 | SEALING WASHER [B] |
| 16 | V836866957 | 1 | COVER |
| 17 | V640325018 | 2 | PLUG |
| 18 | V615881822 | 1 | SEALING WASHER [B] |
| 19 | V837074224 | 4 | PISTON COOLING JET |
| 20 | V836666910 | 1 | OIL DIPSTICK GUIDE PIPE |
| 21 | V640016040 | 1 | CUP PLUG |
| 22 | V836866958 | 1 | GASKET [B] |
| 23 | | 1 | SEE PAGE 01-0027 |
| 24 | | 1 | SEE PAGE 01-0027 [B] INCLUDED IN COMPLETE ENGINE GASKET KIT 2 |

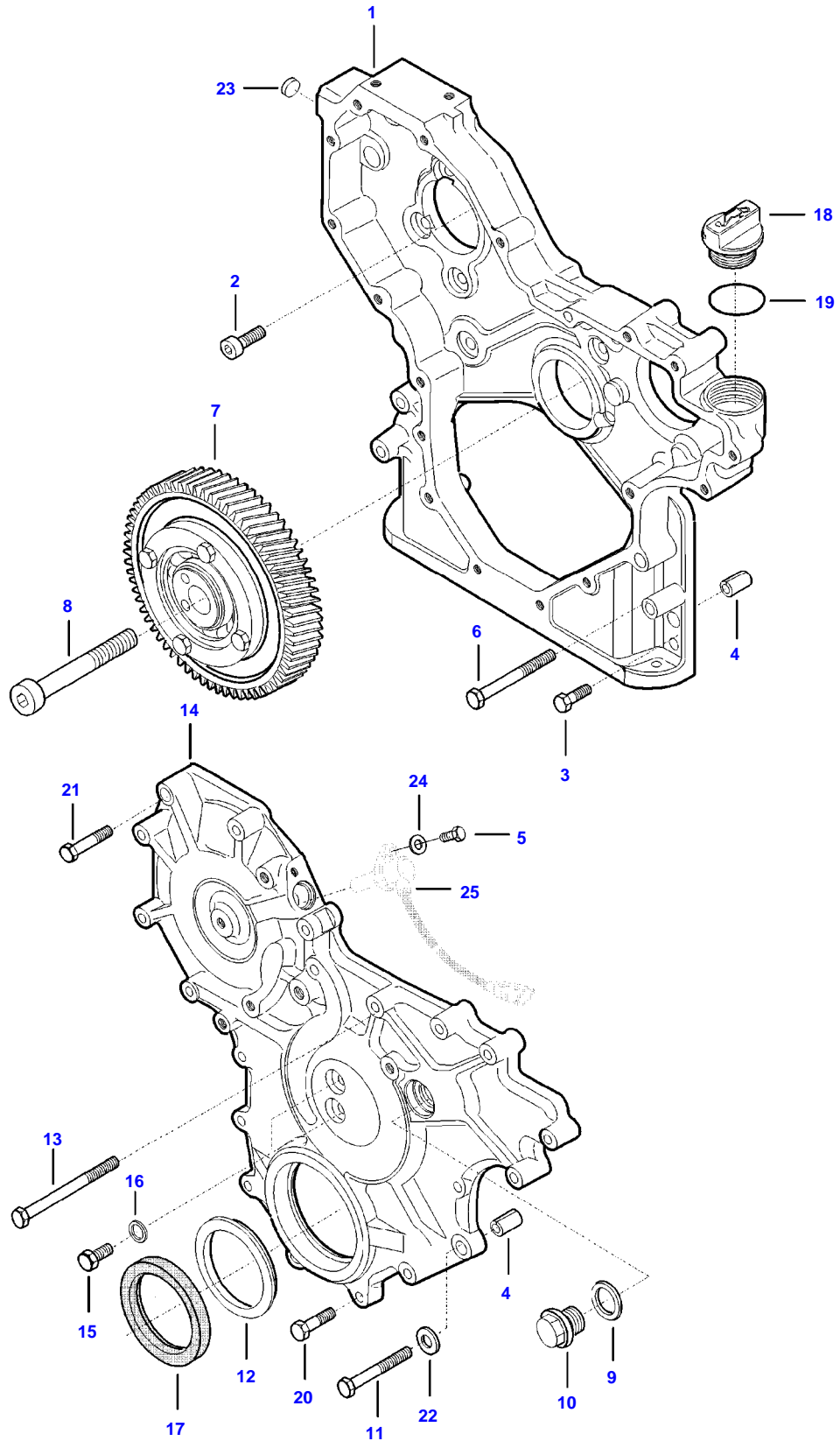
AP20B1474



| Item | Part Number | Qty | Description Comments |
|------|-------------|-----|----------------------------|
| 1 | V837074863 | 1 | ENGINE CONTROL UNIT |
| 2 | V837084994 | 1 | ENGINE WIRE HARNESS |
| 3 | V837084227 | 1 | ENGINE WIRE HARNESS |
| 4 | V836667732 | 2 | TEMPERATURE SENSOR |
| 5 | V837070201 | 2 | PRESSURE SENSOR |
| 6 | V837069150 | 1 | CRANKSHAFT SPEED SENSOR |
| 7 | V614601524 | 1 | O-RING (6) |
| 8 | V837070189 | 1 | SPEED SENSOR |
| 9 | V614601718 | 1 | O-RING (8) |
| 10 | V837069047 | 2 | RELAY |
| 11 | V837070209 | 1 | PRESSURE SENSOR |
| 12 | V837084326 | 1 | BOOST PRESSURE SENSOR |
| 13 | V837073921 | 1 | LOCKING RING |
| 14 | V837073922 | 1 | LOCKING PLATE |
| 15 | V837074692 | 1 | ENGINE WIRE HARNESS |
| 16 | V837074507 | 1 | TEMPERATURE SENSOR |
| 17 | V837073596 | 1 | WIRE |
| 18 | V836662501 | 1 | FUSE (17) |
| 19 | V837073594 | 1 | WIRE |
| 20 | V837074737 | 1 | MASS AIR FLOW SENSOR (MAF) |
| 21 | V528800752 | 1 | HEX CAP SCREW |
| 22 | V651754720 | 10 | CABLE TIE |
| 23 | V602060610 | 1 | RETAINER CLAMP |
| 24 | V602069813 | 2 | RETAINER CLAMP |
| 25 | V528801052 | 2 | HEX CAP SCREW |
| 26 | V581804252 | 2 | HEX SOCKET SCREW |

FENDT 313 S4 (350/00101-05000) (WAM350XXX00F05001-99999)
AP2F1871

AP2F1871

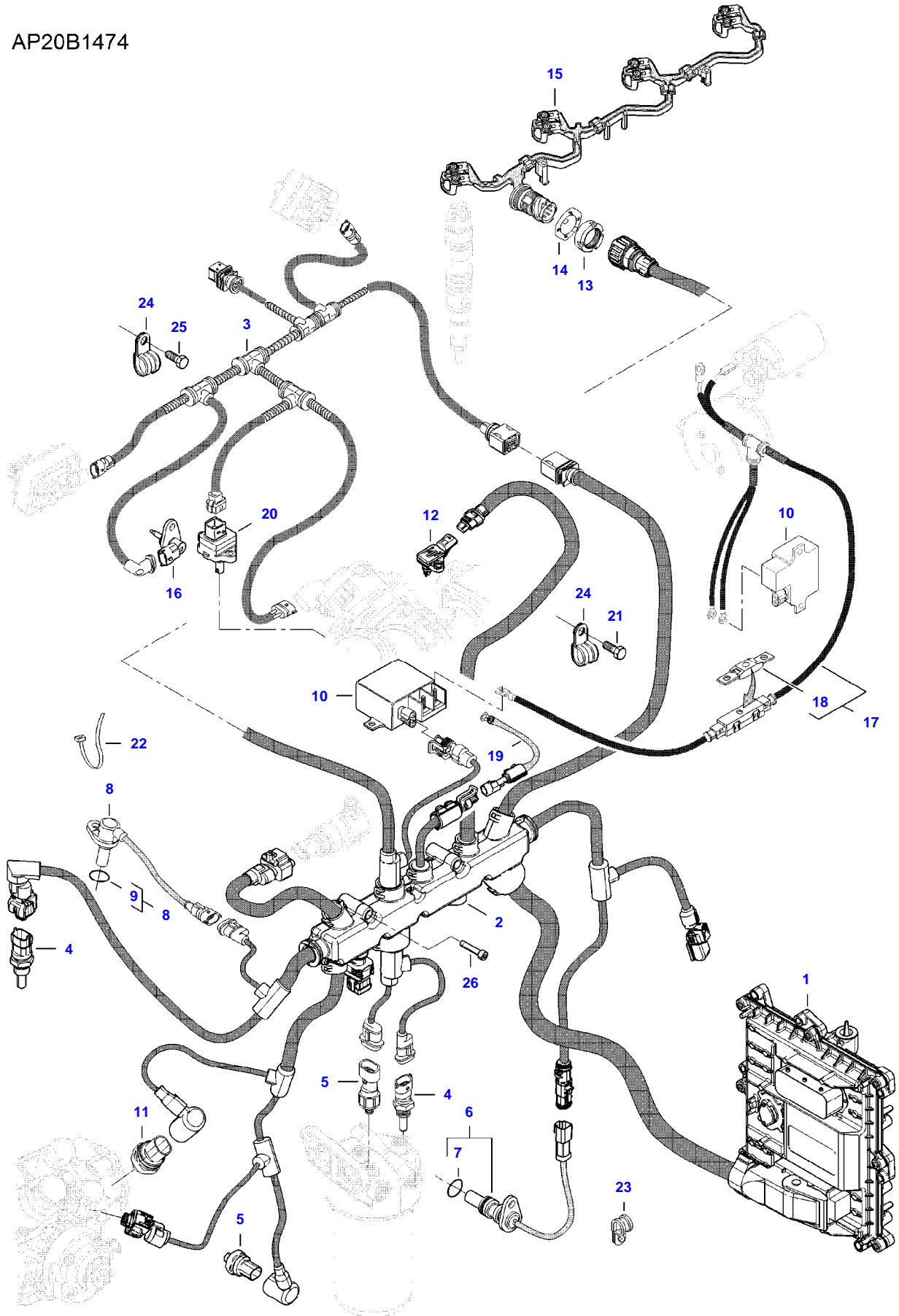


TIMING GEARS AND HOUSING

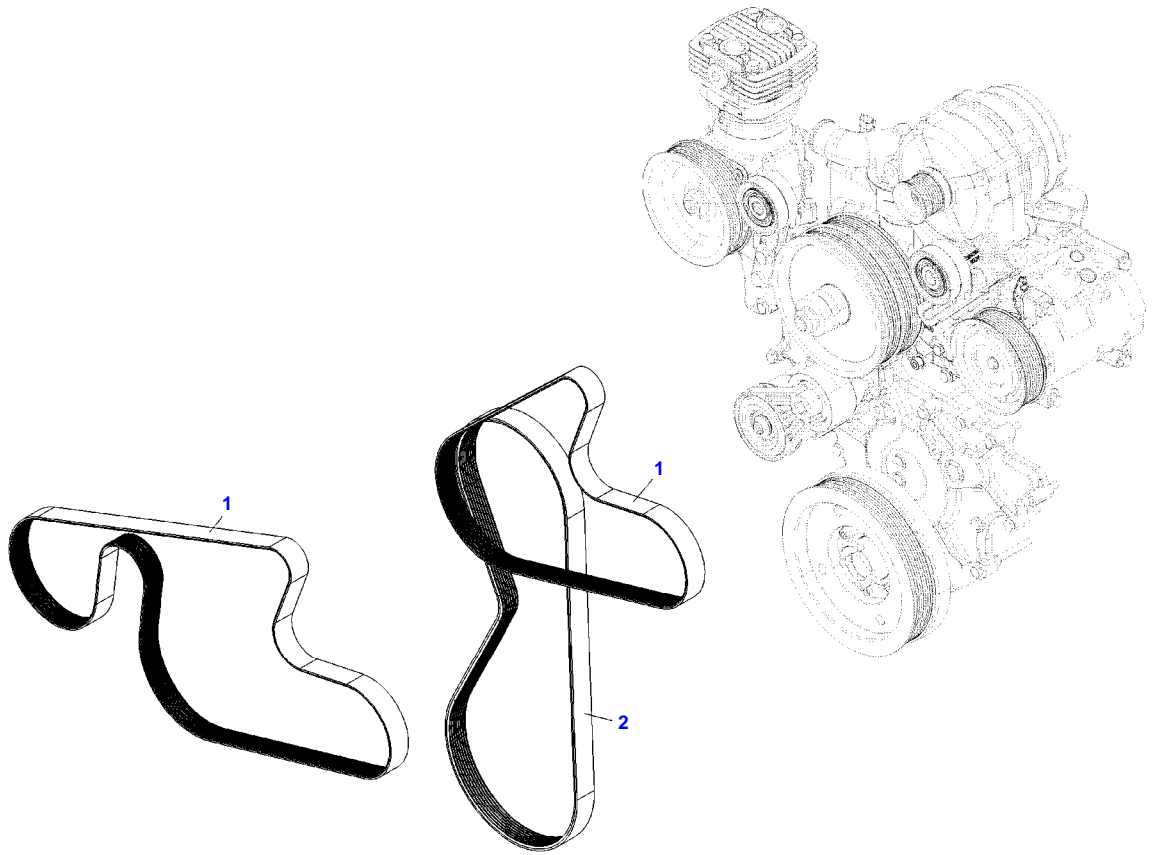
| Item | Part Number | Qty | Description Comments |
|------|-------------|-----|--|
| 1 | V837074705 | 1 | TIMING GEAR CASE |
| 2 | V581804602 | 10 | HEX SOCKET SCREW |
| 3 | V528801402 | 2 | HEX CAP SCREW |
| 4 | V598359850 | 3 | PIN |
| 5 | V528801062 | 1 | HEX CAP SCREW |
| 6 | V529801470 | 3 | HEX CAP SCREW |
| 7 | V837073583 | 1 | IDLER GEAR |
| 8 | V581705910 | 1 | HEX SOCKET SCREW |
| 9 | V615882227 | 1 | SEALING WASHER [B] |
| 10 | V640045022 | 1 | PLUG |
| 11 | V529801520 | 1 | HEX CAP SCREW |
| 12 | V836855636 | 1 | SHIELD |
| 13 | V529801540 | 1 | HEX CAP SCREW |
| 14 | V837074707 | 1 | GEAR HOUSING FRONT COVER |
| 15 | V528801382 | 2 | HEX CAP SCREW |
| 16 | V615870814 | 2 | SEALING WASHER [B] |
| 17 | V836840883 | 1 | CRANKSHAFT SEAL [B] |
| 18 | V837081106 | 1 | OIL FILLER CAP |
| 19 | V614603540 | 1 | O-RING [B] |
| 20 | V528801410 | 7 | HEX CAP SCREW |
| 21 | V529801440 | 10 | HEX CAP SCREW |
| 22 | V836120989 | 1 | WASHER |
| 23 | V640016016 | 1 | CUP PLUG |
| 24 | V500150642 | 1 | WASHER |
| 25 | | 1 | SEE PAGE 01-0027 [B] INCLUDED IN COMPLETE ENGINE GASKET KIT 2 |

FENDT 313 S4 (350/00101-05000) (WAM350XXX00F05001-99999)
AP20B1474

AP20B1474



| Item | Part Number | Qty | Description Comments |
|------|-------------|-----|----------------------------|
| 1 | V837074863 | 1 | ENGINE CONTROL UNIT |
| 2 | V837084994 | 1 | ENGINE WIRE HARNESS |
| 3 | V837084227 | 1 | ENGINE WIRE HARNESS |
| 4 | V836667732 | 2 | TEMPERATURE SENSOR |
| 5 | V837070201 | 2 | PRESSURE SENSOR |
| 6 | V837069150 | 1 | CRANKSHAFT SPEED SENSOR |
| 7 | V614601524 | 1 | O-RING (6) |
| 8 | V837070189 | 1 | SPEED SENSOR |
| 9 | V614601718 | 1 | O-RING (8) |
| 10 | V837069047 | 2 | RELAY |
| 11 | V837070209 | 1 | PRESSURE SENSOR |
| 12 | V837084326 | 1 | BOOST PRESSURE SENSOR |
| 13 | V837073921 | 1 | LOCKING RING |
| 14 | V837073922 | 1 | LOCKING PLATE |
| 15 | V837074692 | 1 | ENGINE WIRE HARNESS |
| 16 | V837074507 | 1 | TEMPERATURE SENSOR |
| 17 | V837073596 | 1 | WIRE |
| 18 | V836662501 | 1 | FUSE (17) |
| 19 | V837073594 | 1 | WIRE |
| 20 | V837074737 | 1 | MASS AIR FLOW SENSOR (MAF) |
| 21 | V528800752 | 1 | HEX CAP SCREW |
| 22 | V651754720 | 10 | CABLE TIE |
| 23 | V602060610 | 1 | RETAINER CLAMP |
| 24 | V602069813 | 2 | RETAINER CLAMP |
| 25 | V528801052 | 2 | HEX CAP SCREW |
| 26 | V581804252 | 2 | HEX SOCKET SCREW |



F060015



Fendt

FENDT 313 S4 (350/00101-05000) (WAM350XXX00F05001-99999)

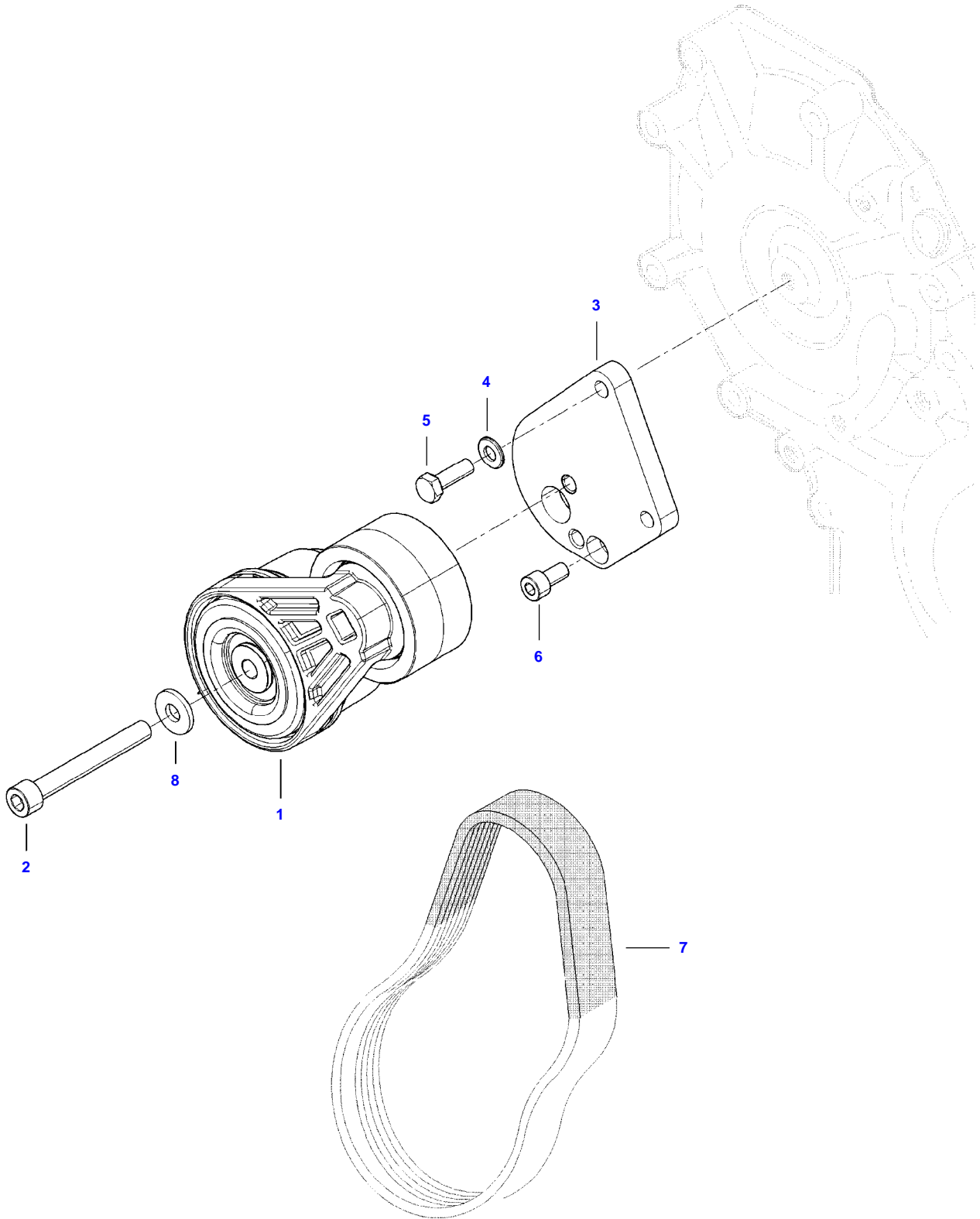
F350000

V-BELT

Page01-0005

| Item | Part Number | Qty | Description Comments | Technical Specification |
|------|-------------|-----|---|-------------------------|
| 1 | 72614350 | 1 | SERPENTINE BELT WITHOUT BRAKIN SYSTEM | |
| | 72614352 | 1 | SERPENTINE BELT WITH AIR BRAKING EQUIPMENT | _8PK |
| 2 | | | SEE PAGE 01-0006 | |

AP24B2012



Fendt

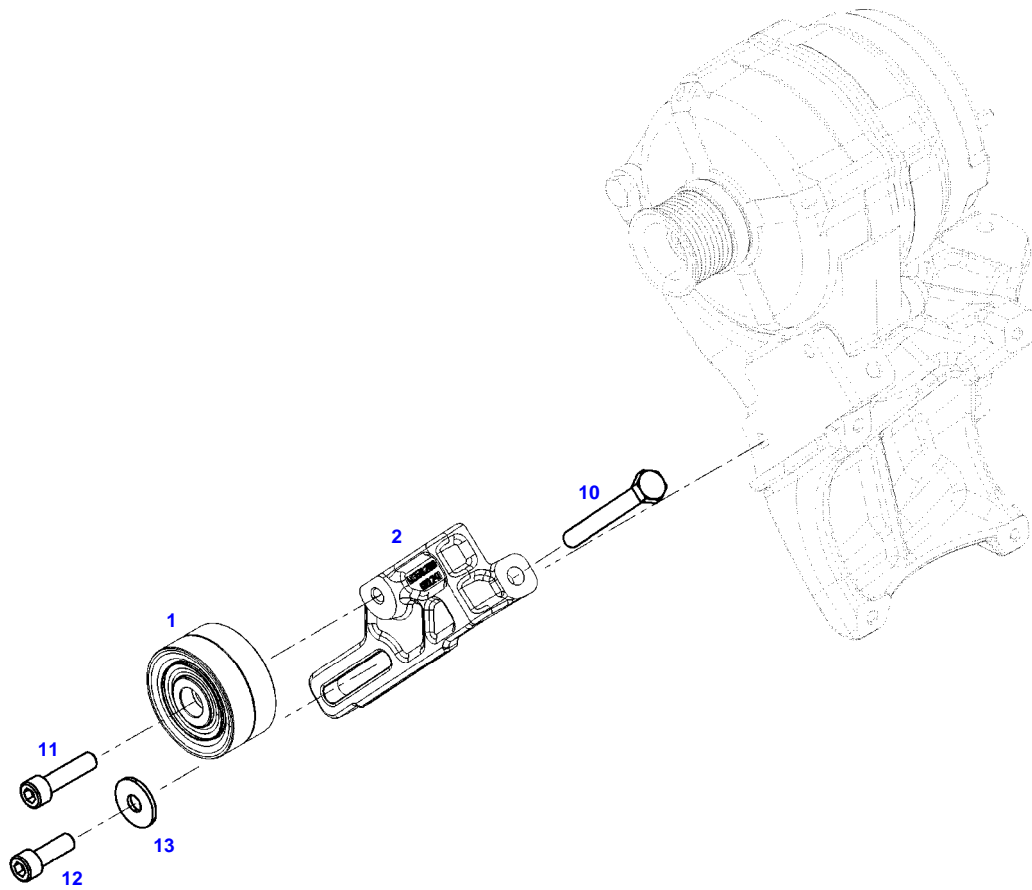
FENDT 313 S4 (350/00101-05000) (WAM350XXX00F05001-99999)

F350000

BELT TENSIONER

Page01-0006

| Item | Part Number | Qty | Description Comments |
|------|-------------|-----|-------------------------|
| 1 | V837086282 | 1 | BELT TENSIONER |
| 2 | V581705130 | 1 | HEX SOCKET SCREW |
| 3 | V837074417 | 1 | BELT TENSIONER BRACKET |
| 4 | V500150842 | 2 | WASHER |
| 5 | V528801402 | 2 | HEX CAP SCREW |
| 6 | V581804582 | 1 | HEX SOCKET SCREW |
| 7 | V685081450 | 1 | MULTI-RIBBED BELT |
| 8 | V500951002 | 1 | SPRING WASHER |



F060010



Fendt

FENDT 313 S4 (350/00101-05000) (WAM350XXX00F05001-99999)

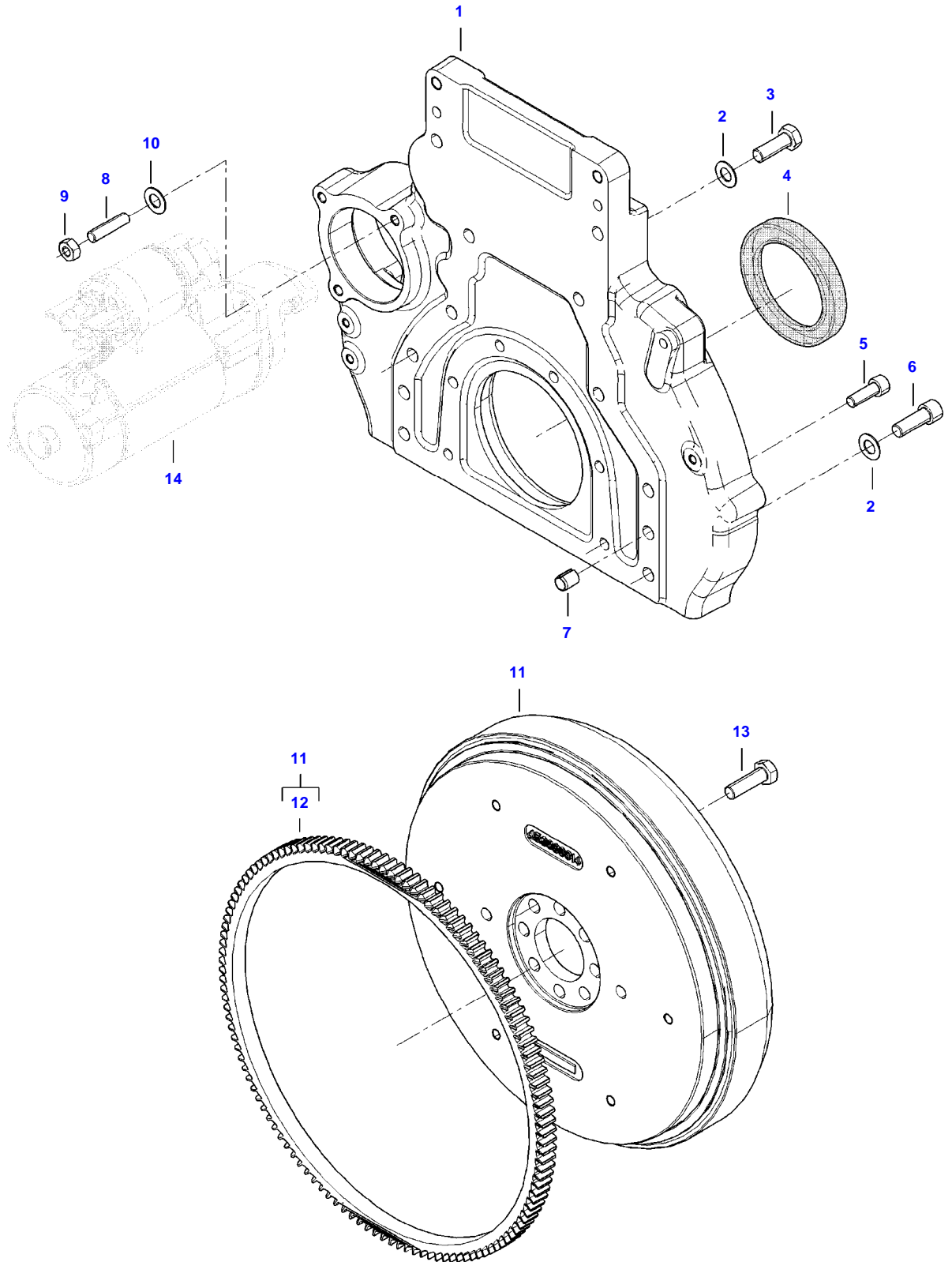
F350000

TENSION ROLLER - ALTERNATOR

Page01-0007

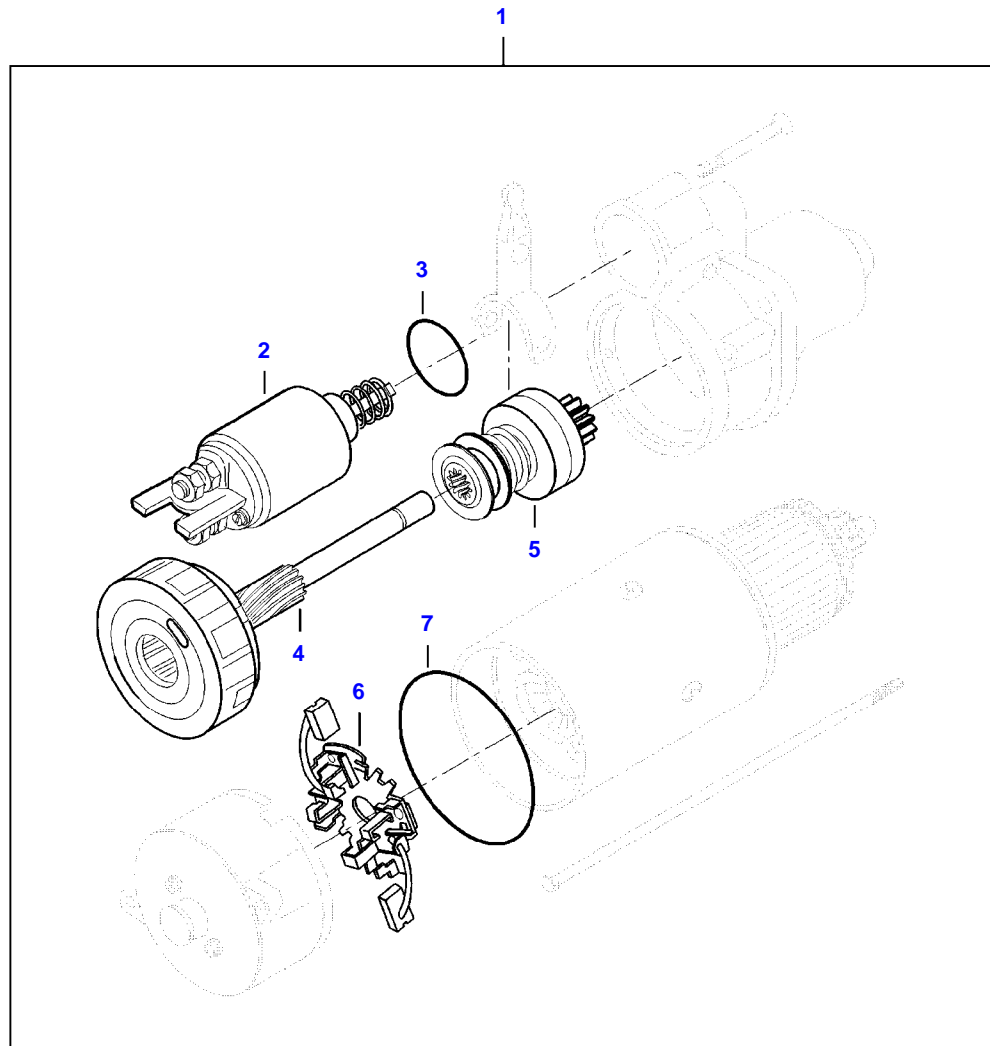
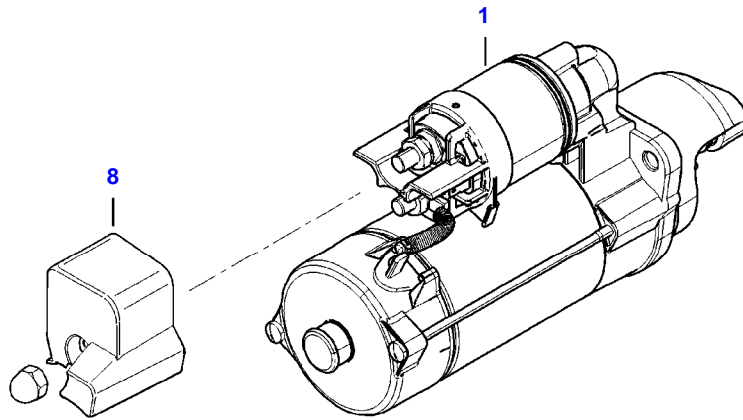
| Item | Part Number | Qty | Description Comments | Technical Specification |
|------|-------------|-----|-------------------------|---------------------------|
| 1 | 72614349 | 1 | IDLER PULLEY | |
| 2 | 72616753 | 1 | TENSIONER | |
| 10 | 72315699 | 1 | HEXAGONAL HEAD BOLT | DIN 933 M10X90-8.8A3L |
| 11 | 72315498 | 1 | SOCKET HEAD BOLT | DIN 912 M10X40-8.8 OB1-SW |
| 12 | 72315685 | 1 | HEXAGONAL HEAD BOLT | DIN 933 M10X30-8.8A3L |
| 13 | 72311829 | 1 | DISC | DIN 7349-10,5-ST.A3L |

AP3B1448



| Item | Part Number | Qty | Description Comments |
|------|-------------|-----|--|
| 1 | V837074652 | 1 | FLYWHEEL HOUSING |
| 2 | V500951202 | 8 | SPRING WASHER |
| 3 | V528702220 | 6 | HEX CAP SCREW |
| 4 | V837091172 | 1 | CRANKSHAFT SEAL [B] |
| 5 | V581705030 | 6 | HEX SOCKET SCREW |
| 6 | V581705440 | 2 | HEX SOCKET SCREW |
| 7 | V598359850 | 2 | PIN |
| 8 | V546801810 | 3 | STUD BOLT |
| 9 | V504601002 | 3 | NUT |
| 10 | V500951002 | 3 | SPRING WASHER |
| 11 | V837086015 | 1 | FLYWHEEL |
| 12 | V836117970 | 1 | STARTER RING (11) |
| 13 | V528702230 | 8 | HEX CAP SCREW |
| 14 | | 1 | SEE PAGE 01-0029 [B] INCLUDED IN COMPLETE ENGINE GASKET KIT 2 |

AP22D1074

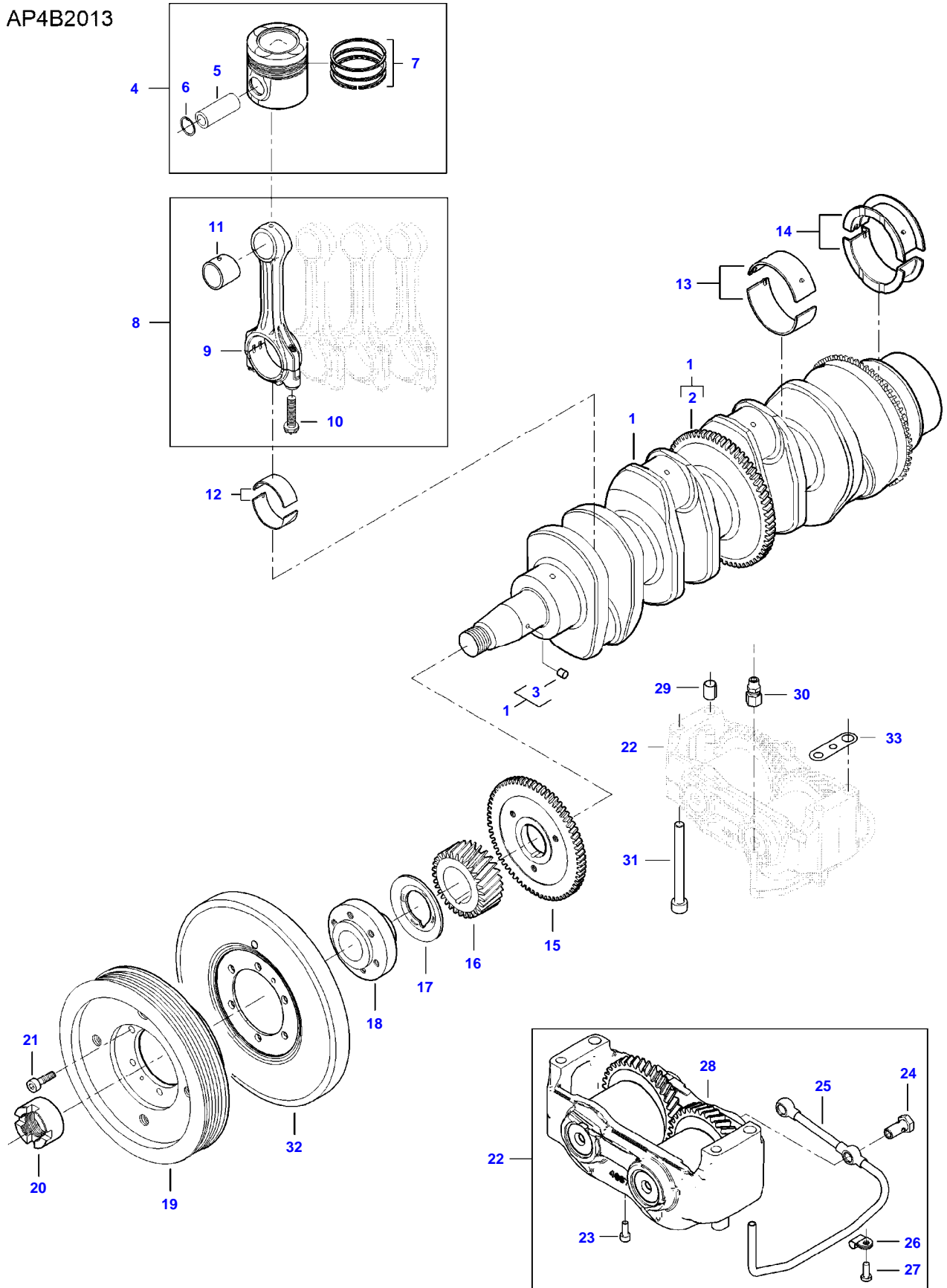


STARTER MOTOR

| Item | Part Number | Qty | Description Comments |
|-------------|--------------------|------------|---------------------------------|
| 1 | V836873457 | 1 | STARTER MOTOR |
| 2 | V836879293 | 1 | SOLENOID (1) |
| 3 | V836879294 | 1 | GASKET (1) |
| 4 | V836879295 | 1 | PLANET GEAR (1) |
| 5 | V836879296 | 1 | BENDIX DRIVE (1) |
| 6 | V836879297 | 1 | KIT,BRUSH HOLDER (1) |
| 7 | V836879298 | 2 | O-RING (1) |
| 8 | V836873458 | 1 | COVER |

FENDT 313 S4 (350/00101-05000) (WAM350XXX00F05001-99999)
AP4B2013

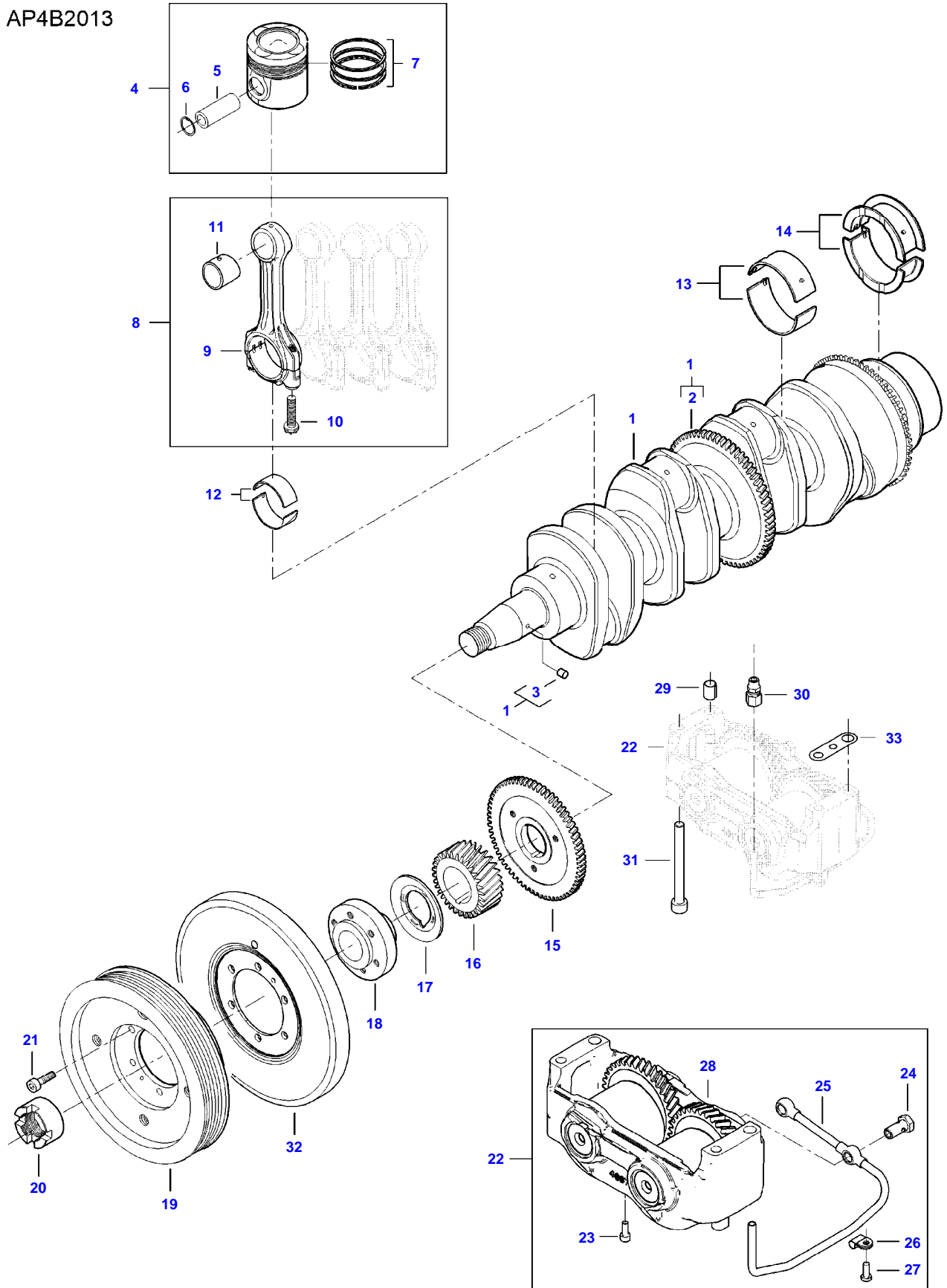
AP4B2013



| Item | Part Number | Qty | Description Comments | Technical Specification |
|------|-------------|-----|---|-------------------------|
| 1 | V837074340 | 1 | CRANKSHAFT | |
| 2 | V836124524 | 1 | GEAR (1) | |
| 3 | V836867857 | 1 | KEY (1) | |
| 4 | V837074081 | 4 | PISTON | |
| 5 | | 4 | NOT AVAILABLE AS SINGLE PART (4) | |
| 6 | | 8 | NOT AVAILABLE AS SINGLE PART (4) | |
| 7 | V837079460 | 4 | PISTON RING KIT (4) | |
| 8 | V836740859 | 1 | CONNECTING ROD KIT | |
| 9 | | 4 | NOT AVAILABLE AS SINGLE PART (8) | |
| 10 | V836864141 | 8 | CONNECTING ROD BOLT (8) | |
| 11 | V836110646 | 4 | BEARING BUSH (8),(9) | STD |
| 12 | V836179781 | 4 | CONROD BEARING | STD |
| 13 | V836655514 | 4 | MAIN BEARING | |
| 14 | V836679154 | 1 | MAIN BEARING | |
| 15 | V836674069 | 1 | GEAR,CRANKSHAFT | |
| 16 | V837073560 | 1 | GEAR,CRANKSHAFT | |
| 17 | V836855637 | 1 | RING | |
| 18 | V837073677 | 1 | CRANKSHAFT HUB | |
| 19 | V837084287 | 1 | CRANKSHAFT PULLEY | |
| 20 | V836847641 | 1 | CRANKSHAFT NUT | |
| 21 | V577904620 | 6 | HEX SOCKET SCREW | |
| 22 | V837084821 | 1 | COUNTERWEIGHT | |
| 23 | V581804182 | 2 | HEX SOCKET SCREW (22) | |
| 24 | ACW2388530 | 2 | BANJO BOLT (22) | |
| 25 | V836747478 | 1 | OIL PIPE (22) | |
| 26 | V602071608 | 1 | HOSE CLIP (22) | |
| 27 | V528801062 | 1 | HEX CAP SCREW (22) | |
| 28 | | | NOT AVAILABLE AS SINGLE PART (22) | |
| 29 | V598359850 | 2 | PIN | |
| 30 | V641016008 | 1 | STRAIGHT FITTING | |
| 31 | V581805170 | 4 | HEX SOCKET SCREW | |
| 32 | V837084282 | 1 | CRANKSHAFT VIBRATION DAMPENER | |
| 33 | V836119920 | | SHIM AS REQUIRED, REFER TO WORKSHOP MANUAL | |

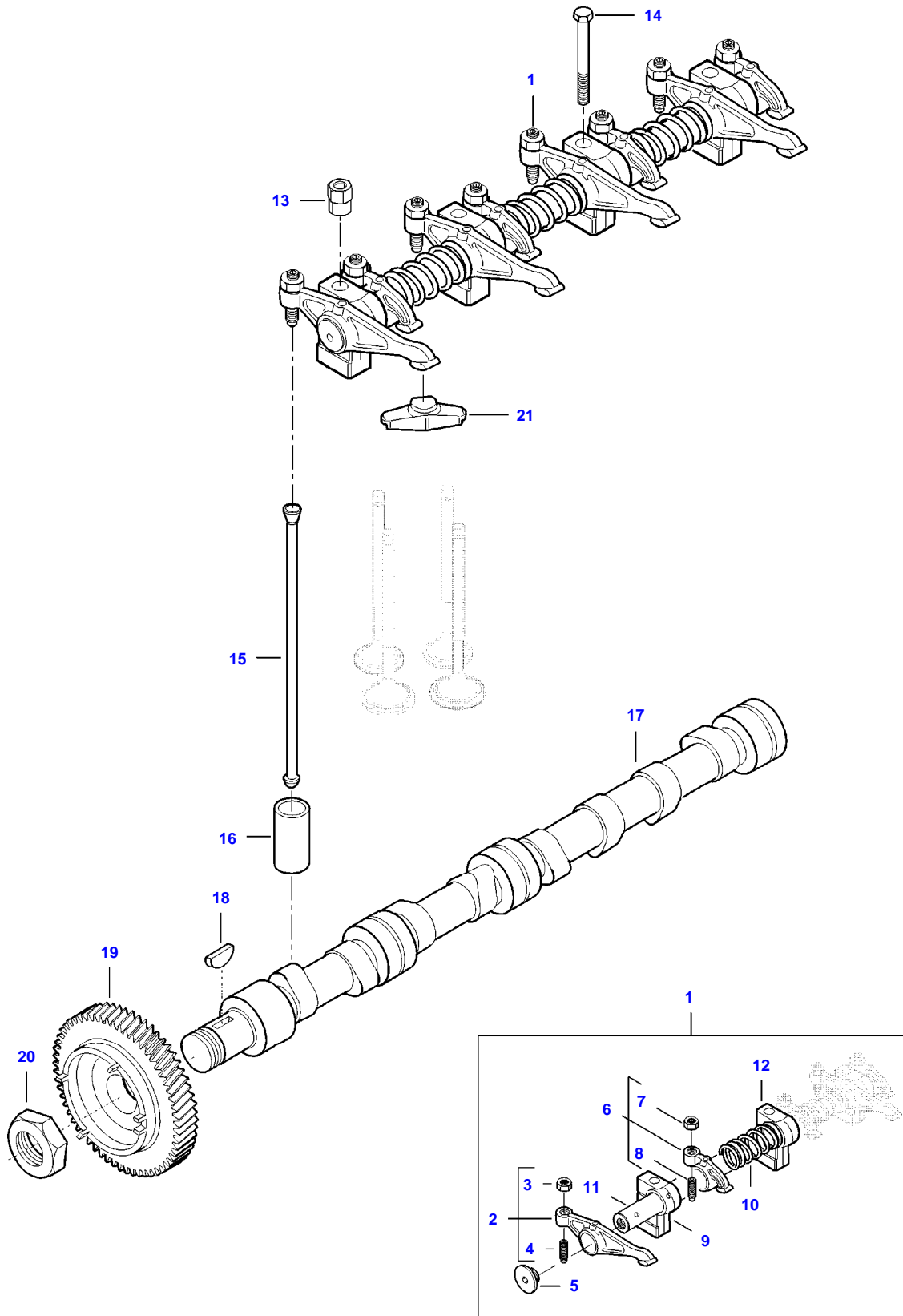
FENDT 313 S4 (350/00101-05000) (WAM350XXX00F05001-99999)
 AP4B2013

AP4B2013



| Item | Part Number | Qty | Description Comments | Technical Specification |
|------|-------------|-----|---|-------------------------|
| 1 | V837074340 | 1 | CRANKSHAFT | |
| 2 | V836124524 | 1 | GEAR (1) | |
| 3 | V836867857 | 1 | KEY (1) | |
| 4 | V837086208 | 4 | PISTON | |
| 5 | | 4 | NOT AVAILABLE AS SINGLE PART (4) | |
| 6 | | 8 | NOT AVAILABLE AS SINGLE PART (4) | |
| 7 | V837079460 | 4 | PISTON RING KIT (4) | |
| 8 | V836740859 | 1 | CONNECTING ROD KIT | |
| 9 | | 4 | NOT AVAILABLE AS SINGLE PART (8) | |
| 10 | V836864141 | 8 | CONNECTING ROD BOLT (8) | |
| 11 | V836110646 | 4 | BEARING BUSH (8),(9) | STD |
| 12 | V836179781 | 4 | CONROD BEARING | STD |
| 13 | V836655514 | 4 | MAIN BEARING | |
| 14 | V836679154 | 1 | MAIN BEARING | |
| 15 | V836674069 | 1 | GEAR,CRANKSHAFT | |
| 16 | V837073560 | 1 | GEAR,CRANKSHAFT | |
| 17 | V836855637 | 1 | RING | |
| 18 | V837073677 | 1 | CRANKSHAFT HUB | |
| 19 | V837084287 | 1 | CRANKSHAFT PULLEY | |
| 20 | V836847641 | 1 | CRANKSHAFT NUT | |
| 21 | V577904620 | 6 | HEX SOCKET SCREW | |
| 22 | V837084821 | 1 | COUNTERWEIGHT | |
| 23 | V581804182 | 2 | HEX SOCKET SCREW (22) | |
| 24 | ACW2388530 | 2 | BANJO BOLT (22) | |
| 25 | V836747478 | 1 | OIL PIPE (22) | |
| 26 | V602071608 | 1 | HOSE CLIP (22) | |
| 27 | V528801062 | 1 | HEX CAP SCREW (22) | |
| 28 | | | NOT AVAILABLE AS SINGLE PART (22) | |
| 29 | V598359850 | 2 | PIN | |
| 30 | V641016008 | 1 | STRAIGHT FITTING | |
| 31 | V581805170 | 4 | HEX SOCKET SCREW | |
| 32 | V837084282 | 1 | CRANKSHAFT VIBRATION DAMPENER | |
| 33 | V836119920 | | SHIM AS REQUIRED, REFER TO WORKSHOP MANUAL | |

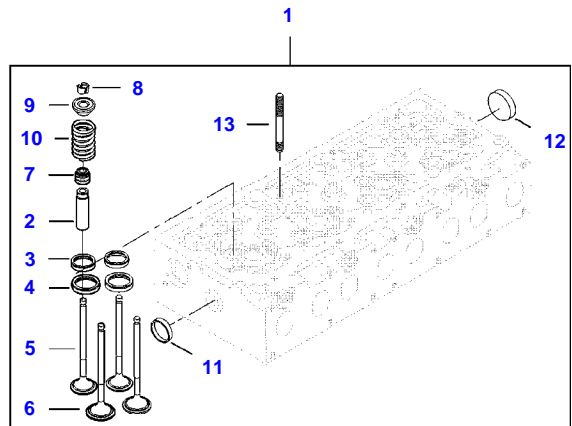
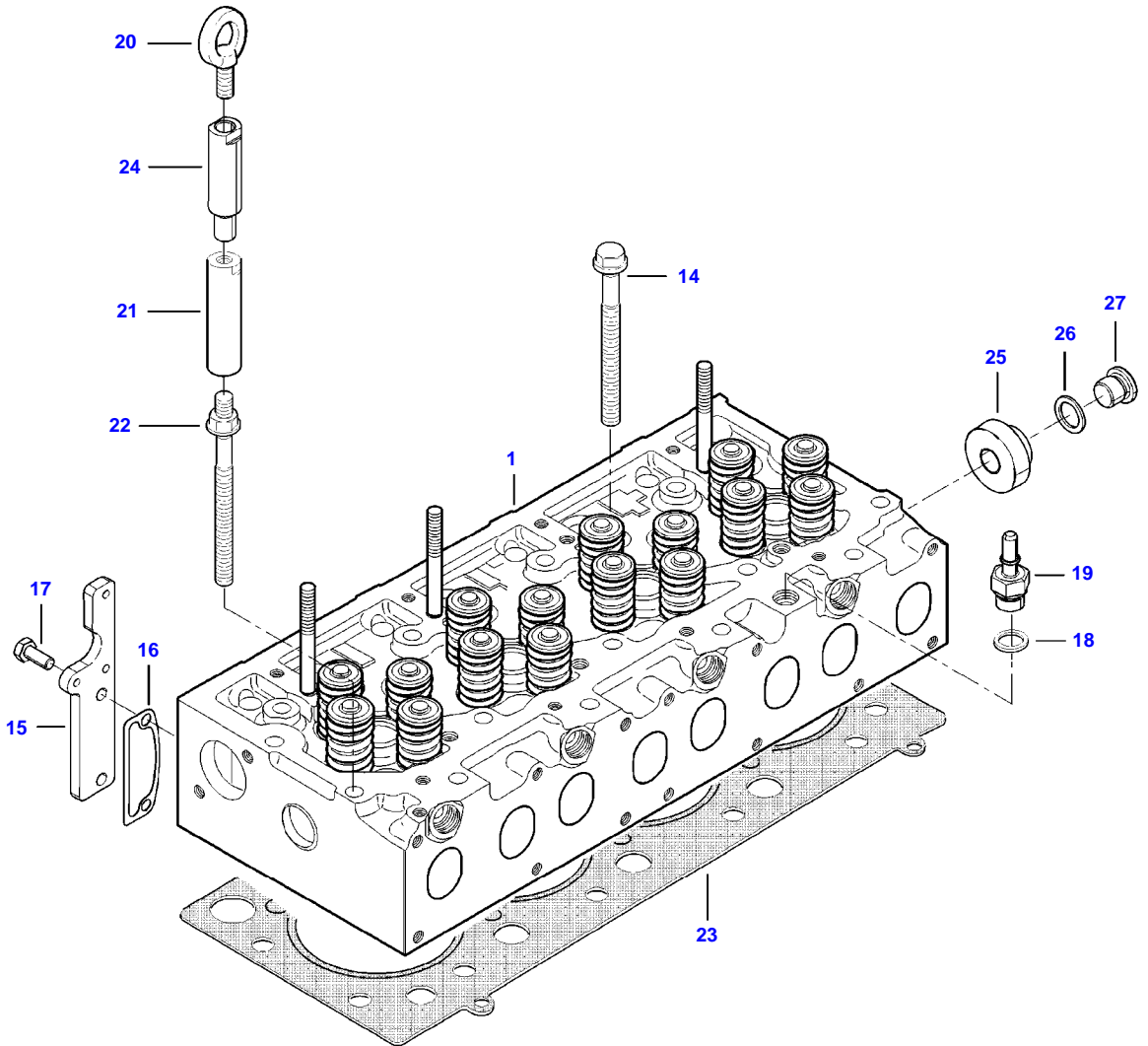
AP5B1960



CAMSHAFT AND VALVE MECHANISM

| Item | Part Number | Qty | Description Comments |
|------|-------------|-----|--|
| 1 | V837070105 | 1 | ROCKER SHAFT ASM |
| 2 | V837069011 | 4 | ROCKER ARM (1) |
| 3 | V512861000 | 4 | NUT (1),(2) |
| 4 | V837069023 | 4 | VALVE ROCKER ADJUSTMENT SCREW (1),(2) |
| 5 | V837069020 | 2 | PLUG (1) |
| 6 | V837069013 | 4 | ROCKER ARM (1) |
| 7 | V512861000 | 4 | NUT (1),(6) |
| 8 | V837069023 | 4 | VALVE ROCKER ADJUSTMENT SCREW (1),(6) |
| 9 | V837069017 | 3 | ROCKER SHAFT BRACKET (1) |
| 10 | V837069019 | 3 | SPRING (1) |
| 11 | V837070104 | 1 | SHAFT (1) |
| 12 | V837069018 | 1 | ROCKER SHAFT BRACKET (1) |
| 13 | V836655406 | 3 | SLEEVE NUT |
| 14 | V529801912 | 1 | HEX CAP SCREW |
| 15 | V837084417 | 8 | PUSH ROD |
| 16 | V836014264 | 8 | TAPPET |
| 17 | V837073039 | 1 | CAMSHAFT |
| 18 | V603305760 | 1 | WOODRUFF KEY |
| 19 | V837073674 | 1 | GEAR,CAMSHAFT |
| 20 | V837069085 | 1 | NUT |
| 21 | V837073089 | 8 | VALVE BRIDGE |

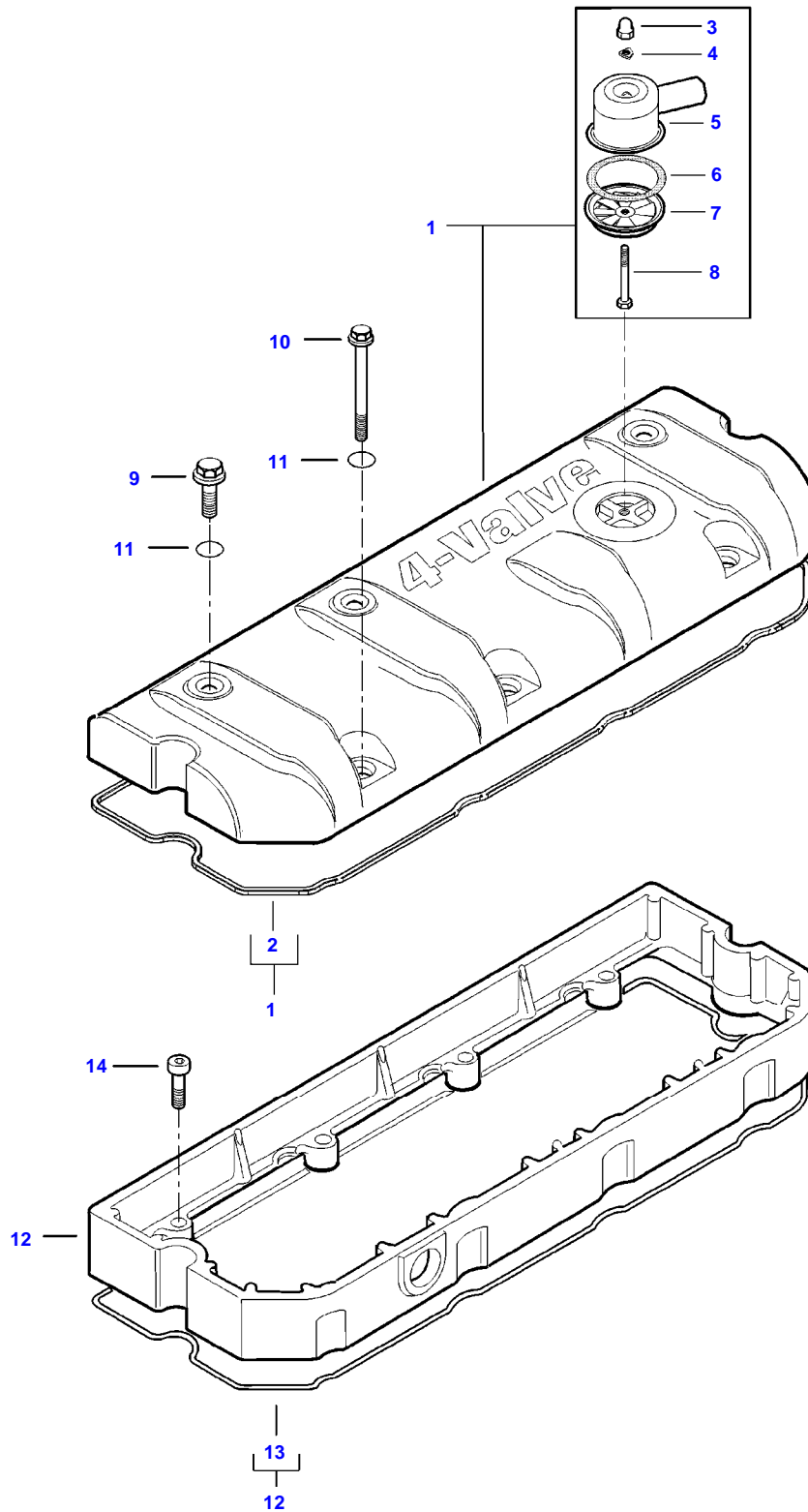
AP6B2014



CYLINDER HEAD

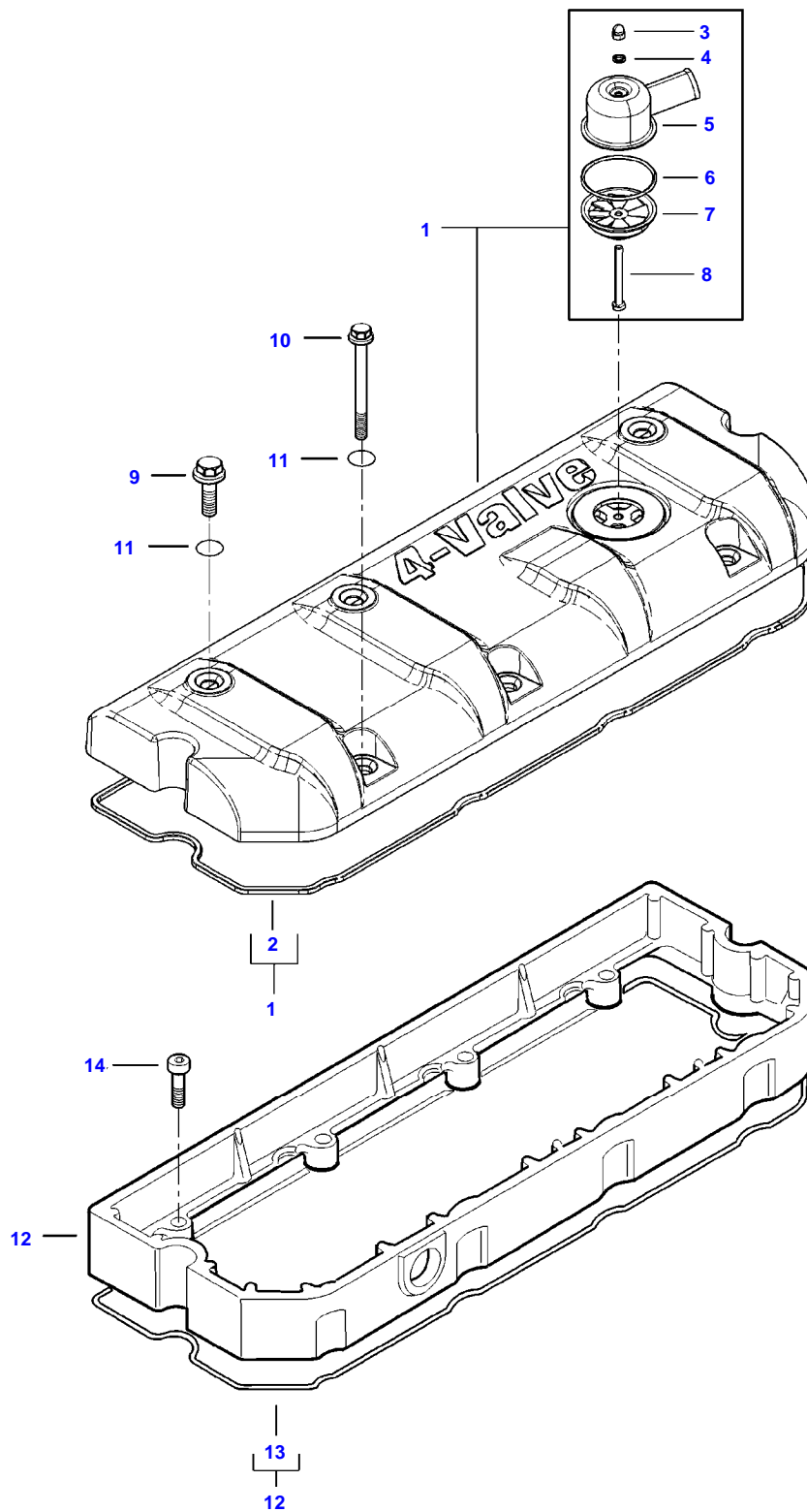
| Item | Part Number | Qty | Description Comments | Technical Specification |
|------|-------------|-----|--|-------------------------|
| 1 | V837073202 | 1 | CYLINDER HEAD | |
| 2 | V837073174 | 16 | VALVE GUIDE (1) | |
| 3 | V837064907 | 8 | VALVE SEAT (1) | STD 4V EXHAUST |
| 4 | V837064908 | 8 | VALVE SEAT (1) | STD 4V INTAKE |
| 5 | V837069002 | 8 | EXHAUST VALVE (1) | |
| 6 | V837069003 | 8 | INTAKE VALVE (1) | |
| 7 | V837073165 | 16 | VALVE STEM GASKET (1) [A] | |
| 8 | V837064910 | 32 | COTTER (1) | |
| 9 | V837069004 | 16 | SPRING PLATE (1) | |
| 10 | V837069005 | 16 | VALVE SPRING (1) | |
| 11 | V836647942 | 5 | CUP PLUG (1) | |
| 12 | V640016045 | 1 | CUP PLUG (1) | |
| 13 | V546901900 | 3 | STUD BOLT (1) | |
| 14 | V837069025 | 18 | CYLINDER HEAD BOLT | |
| 15 | V837084151 | 1 | PLATE | |
| 16 | V836867753 | 1 | GASKET [A] | |
| 17 | V528801800 | 2 | HEX CAP SCREW | |
| 18 | V615881822 | 1 | SEALING WASHER [A] | |
| 19 | V837084995 | 1 | MALE COUPLER | |
| 20 | V836640752 | 2 | LIFT EYE | |
| 21 | V836867567 | 2 | LIFTING EYE EXTENSION | |
| 22 | V837073571 | 4 | CYLINDER HEAD BOLT | |
| 23 | V837084524 | 1 | CYLINDER HEAD GASKET [A] | |
| 24 | V837074991 | 1 | EXTENSION | |
| 25 | V837084863 | 1 | FITTING | |
| 26 | V615881420 | 1 | SEALING WASHER | |
| 27 | V640325014 | 1 | PLUG | |
| | | | [A] INCLUDED IN CYLINDER HEAD GASKET KIT 1 | |

AP35B2021



| Item | Part Number | Qty | Description Comments |
|------|-------------|-----|--|
| 1 | V837084225 | 1 | VALVE ROCKER COVER |
| 2 | V837070128 | 1 | VALVE ROCKER COVER GASKET (1) [A] |
| 3 | V519600602 | 1 | NUT (1) |
| 4 | V836667508 | 1 | SEALING WASHER (1) |
| 5 | V837070442 | 1 | BREATHER CAP (1) |
| 6 | V836667459 | 1 | GASKET (1) |
| 7 | V837070443 | 1 | BREATHER (1) |
| 8 | V528801172 | 1 | HEX CAP SCREW (1) |
| 9 | V540801782 | 3 | HEXAGON FLANGE BOLT |
| 10 | V540801912 | 3 | HEXAGON FLANGE BOLT |
| 11 | V614901030 | 6 | O-RING [A] |
| 12 | V837084224 | 1 | VALVE ROCKER COVER FRAME |
| 13 | V837070128 | 1 | VALVE ROCKER COVER GASKET (12) [A] |
| 14 | V581804632 | 4 | HEX SOCKET SCREW [A] INCLUDED IN CYLINDER HEAD GASKET KIT 1 |

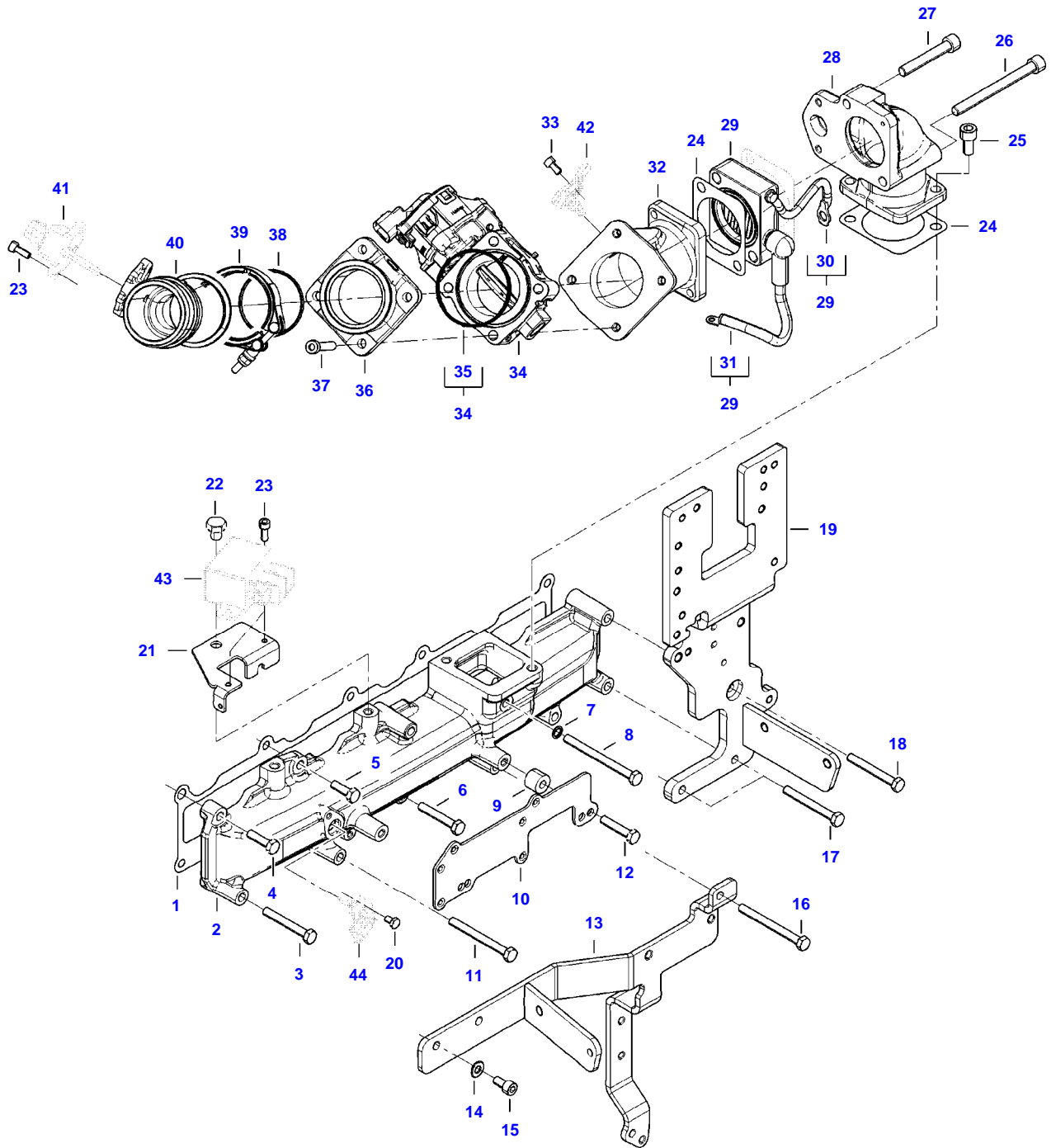
AP35B1963



| Item | Part Number | Qty | Description Comments |
|------|-------------|-----|--|
| 1 | V837086138 | 1 | VALVE ROCKER COVER |
| 2 | V837070128 | 1 | VALVE ROCKER COVER GASKET (1) [A] |
| 3 | V519600602 | 1 | NUT (1) |
| 4 | V836684766 | 1 | SEALING WASHER (1) |
| 5 | V837070442 | 1 | BREATHER CAP (1) |
| 6 | V614605930 | 1 | O-RING (1) |
| 7 | V837070443 | 1 | BREATHER (1) |
| 8 | V528801172 | 1 | HEX CAP SCREW (1) |
| 9 | V540801782 | 3 | HEXAGON FLANGE BOLT |
| 10 | V540801912 | 3 | HEXAGON FLANGE BOLT |
| 11 | V614901030 | 6 | O-RING [A] |
| 12 | V837084224 | 1 | VALVE ROCKER COVER FRAME |
| 13 | V837070128 | 1 | VALVE ROCKER COVER GASKET (12) [A] |
| 14 | V581804632 | 4 | HEX SOCKET SCREW [A] INCLUDED IN CYLINDER HEAD GASKET KIT 1 |

FENDT 313 S4 (350/00101-05000) (WAM350XXX00F05001-99999)
AP7B2015

AP7B2015



| Item | Part Number | Qty | Description Comments |
|------|-------------|-----|--|
| 1 | V837070364 | 1 | INTAKE MANIFOLD GASKET [A] |
| 2 | V837084511 | 1 | INTAKE MANIFOLD |
| 3 | V529801470 | 2 | HEX CAP SCREW |
| 4 | V528801410 | 1 | HEX CAP SCREW |
| 5 | V528801402 | 1 | HEX CAP SCREW |
| 6 | V529801450 | 1 | HEX CAP SCREW |
| 7 | V836015967 | 1 | SEALING WASHER [A] |
| 8 | V529801540 | 1 | HEX CAP SCREW |
| 9 | V836119384 | 2 | SPACER PIECE |
| 10 | V837074646 | 1 | BRACKET |
| 11 | V529801510 | 1 | HEX CAP SCREW |
| 12 | V529801430 | 2 | HEX CAP SCREW |
| 13 | V837084956 | 1 | BRACKET |
| 14 | V500150842 | 3 | WASHER |
| 15 | V581804580 | 3 | HEX SOCKET SCREW |
| 16 | V529801520 | 1 | HEX CAP SCREW |
| 17 | V529801490 | 2 | HEX CAP SCREW |
| 18 | V529801480 | 1 | HEX CAP SCREW |
| 19 | V837086260 | 1 | FUEL FILTER BRACKET |
| 20 | V528801042 | 1 | HEX CAP SCREW |
| 21 | V837084566 | 1 | BRACKET |
| 22 | V528801760 | 1 | HEX CAP SCREW |
| 23 | V581804182 | 4 | HEX SOCKET SCREW |
| 24 | V836666074 | 3 | GASKET [A] |
| 25 | V581805000 | 2 | HEX SOCKET SCREW |
| 26 | V581705180 | 1 | HEX SOCKET SCREW |
| 27 | V581705100 | 1 | HEX SOCKET SCREW |
| 28 | V837084146 | 1 | AIR PIPE |
| 29 | V836674519 | 1 | INTAKE AIR PREHEATER |
| 30 | V836767085 | 1 | GROUND WIRE (29) |
| 31 | V836866713 | 1 | WIRE (29) |
| 32 | V837084642 | 1 | AIR PIPE |
| 33 | V581804170 | 1 | HEX SOCKET SCREW |
| 34 | V837084473 | 1 | THROTTLE FLAP |
| 35 | V837079937 | 2 | GASKET (34) [A] |
| 36 | V837074936 | 1 | AIR PIPE |
| 37 | V581804702 | 4 | HEX SOCKET SCREW |
| 38 | V614606225 | 1 | O-RING [A] |
| 39 | V836866454 | 1 | V CLAMP |
| 40 | V837074933 | 1 | AIR PIPE |
| 41 | | 1 | SEE PAGE 01-0027 |
| 42 | | 1 | SEE PAGE 01-0027 |
| 43 | | 1 | SEE PAGE 01-0027 |
| 44 | | 1 | SEE PAGE 01-0027 [A] INCLUDED IN CYLINDER HEAD GASKET KIT 1 |

Thank you so much for reading.
Please click the “Buy Now!”
button below to download the
complete manual.



After you pay.

You can download the most
perfect and complete manual in
the world immediately.

Our support email:

ebooklibonline@outlook.com