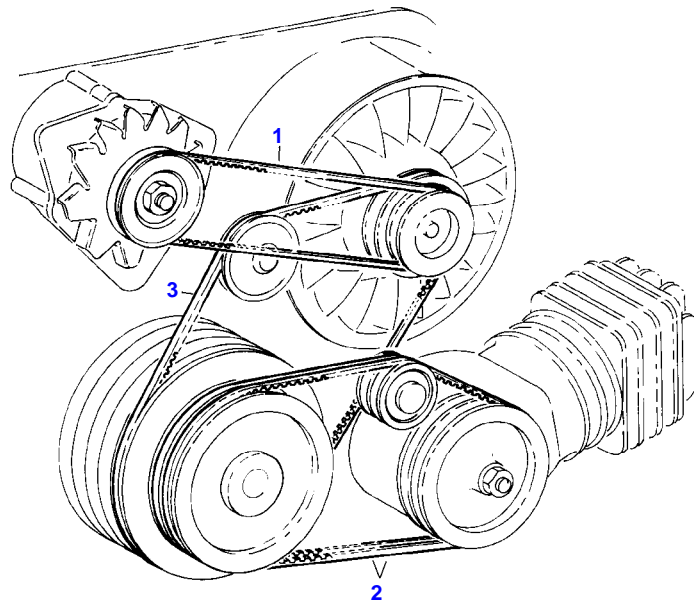


<b>Page Number</b>	<b>Page Title</b>	<b>Page Reference</b>
01-000-TOC	ENGINE, FUEL AND EXHAUST SYSTEM	01-000-TOC
02-000-TOC	AXLES	02-000-TOC
03-000-TOC	STEERING SYSTEM	03-000-TOC
04-000-TOC	DRIVE TRAIN SYSTEM	04-000-TOC
05-000-TOC	COMPRESSED AIR SYSTEM	05-000-TOC
06-000-TOC	HYDRAULIC SYSTEM	06-000-TOC
07-000-TOC	ELECTRICAL SYSTEM	07-000-TOC
08-000-TOC	CAB	08-000-TOC
09-000-TOC	CHASSIS	09-000-TOC
10-000-TOC	WHEELS	10-000-TOC
11-000-TOC	IMPLEMENT LIFT SYSTEM FRONT	11-000-TOC
12-000-TOC	IMPLEMENT LIFT SYSTEM REAR	12-000-TOC
13-000-TOC	FRONT/REAR LOADERS	13-000-TOC
14-000-TOC	ATTACHMENTS	14-000-TOC
15-000-TOC	ACCESSORIES	15-000-TOC

Page Number	Page Title	Page Reference
01-0001	V-BELT	2010
01-0002	SPEED CONTROL	2020
01-0003	ENGINE STOP --> 360/1556 <-- 360/90001 --> 360/90074	2030
01-0004	ENGINE STOP <-- 360/1557 --> 360/90000 <-- 360/90075	2035
01-0005	FUEL SYSTEM	2040
01-0006	SHRINK HOSE RAPE SEED OIL METHYLATED ESTER	2045
01-0007	AIR FILTER --> 360/1105 <-- 360/90001 --> 360/90049	2050
01-0008	AIR FILTER <-- 360/1106 --> 360/90000 <-- 360/90050	2055
01-0009	PRE-CLEANER <-- 360/1106 --> 360/90000 <-- 360/90050	2060
01-0010	EXHAUST TO BOTTOM	2070
01-0011	EXHAUST TO BOTTOM COMPACT-TC	2080
01-0012	EXHAUST UPRIGHT --> 360/1108 <-- 360/90001 --> 360/90049	2090
01-0013	EXHAUST UPRIGHT <-- 360/1109 --> 360/90000 <-- 360/90050	2095
01-0014	COLD STARTING AID	2100
01-0015	CRANKCASE	2150
01-0016	FRONT COVER	2160
01-0017	TENSION ROLLER	2170
01-0018	CYLINDER	2180
01-0019	CRANKSHAFT	2190
01-0020	PISTON	2200
01-0021	CAMSHAFT	2210
01-0022	VALVE DRIVE	2220
01-0023	OIL PAN	2230
01-0024	OIL PUMP	2240
01-0025	OIL COOLER	2250
01-0026	OIL FILTER MOUNTING	2260
01-0027	SUPPLY LINES	2270
01-0028	LEAK OIL LINE	2280
01-0029	INJECTION PUMP	2290
01-0030	INJECTOR VALVE ENGINE NUMBER	2300
01-0031	INJECTOR VALVE ENGINE NUMBER	2305
01-0032	COOLING AIR BLOWER	2310
01-0033	FAN PANELLING	2320



6603

---

Fendt

GT 360GT (360/00001-99999)

F360000

V-BELT

Page01-0001

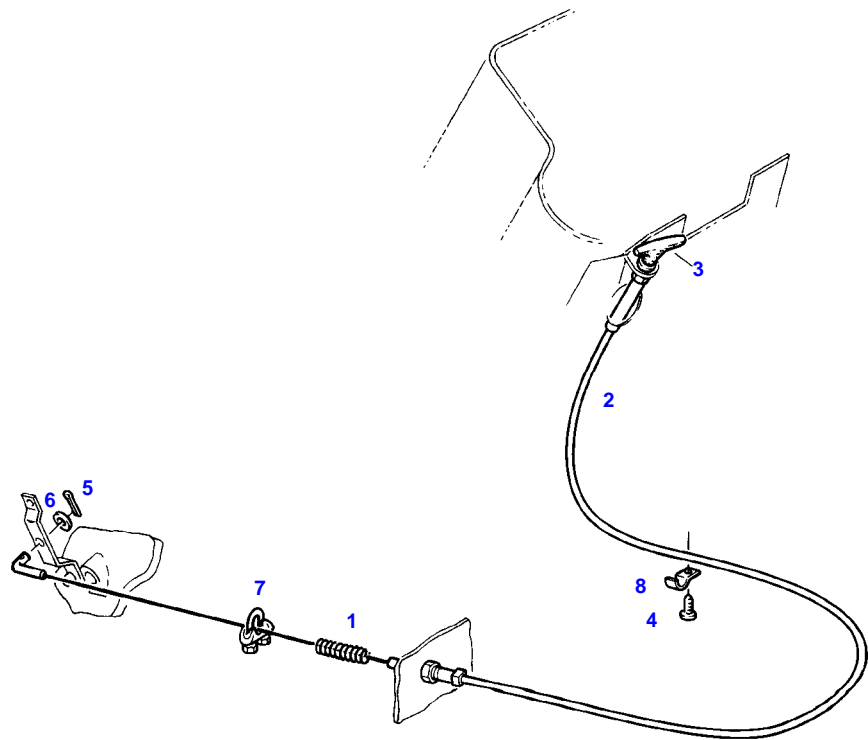
---

Item	Part Number	Qty	Description Comments	Technical Specification
1	72379405	1	V-BELT 10X1050	FWN66966-AVX10X1050LA
2	72379415	2	V-BELT 10X1175	FWN66966-AVX10X1175LA
3	72324110	1	V-BELT 10X1300	



Item	Part Number	Qty	Description Comments	Technical Specification
1	72393661	1	HANDLE GRIP	
2	72404903	1	LEVER --> 360/1578 <-- 360/90001 --> 360/90074	
	72317730	1	LEVER <-- 360/1579 <-- 360/90075	
3	72407993	1	BOLT --> 360/1578 <-- 360/90001 --> 360/90074	
4	72375134	1	TENSIONING PIN	ISO8752-4X30-A-ST-OB3 FWN10256
5	72422379	1	FRICITION WASHER	
6	72316459	4	DISK SPRING	28X14,2X1,25
7	72372883	2	NUT	DIN 936 M14-17H
8	72404909	1	LEVER	
9	72428239	1	TENSIONING PIN	ISO8752-2,5X22-OB3
10	72313803	1	TENSIONING PIN	ISO8752-4X20-A-ST-ZNPHR10F-KOE
11	72372461	1	BOLT --> 360/0633	DIN 1436 6H11X20X17,5-UST36-2
	72357097	1	SPRING STUD <-- 360/0634	
12	72313872	1	COTTER	DIN 94-1,6X12-ST.A3L
13	72395922	1	CLEVIS --> 360/0633 <> <>	
	72407994	1	ROD	
	72392583	2	THREADED PLATE	
	72313268	1	NUT	DIN 934 M8-8A3L
	72311180	1	DUO-CLIP	8 SXN10
	72372462	1	BOLT	DIN 1436 6H11X22X18-UST36-2A3L
14	72407990	1	PLATE LINK	
15	72313266	7	NUT	DIN 934 M6-8A3L
	72313268	1	NUT	DIN 934 M8-8A3L
16	72400066	2	PLATE LINK --> 360/0633	
	72392583	2	THREADED PLATE <-- 360/0634	
17	72315642	4	HEXAGONAL HEAD BOLT	DIN 933 M8 X 16-8.8A3L
18	72317121	4	SPRING WASHER	DIN 137 B8-MECH.VZK
19	72311788	4	DISC	DIN 125-8,4-ST.A3L
20	72407994	1	ROD	
21	72311179	1	DUO-CLIP --> 360/0633	6 SXN10
	72311180	1	DUO-CLIP <-- 360/0634	8 SXN10
22	72407988	1	PLATE LINK	
23	72311804	2	DISC	DIN 433-13-ST.A3L
24	72313877	1	COTTER	DIN 94-4X20-ST.A3L
25	72407985	1	LEVER	
26	72315629	2	HEXAGONAL HEAD BOLT	DIN 933 M6 X 12-8.8A3L
27	72311822	3	DISC	DIN9021-6,4-140HV-A3L
28	72311787	3	DISC	DIN 125-6,4-ST.A3L
29	72313852	3	BALL PIN	DIN 71803-C10-ST-A3L
	72316303	3	BALL SOCKET	DIN 71805 B10-A3L
	72317189	3	SECURING CLIP	DIN71805 S10-A3L
30	72313765	1	STUD BOLT	DIN 938 M6X35-8.8A3L
31	72363804	1	PUSH ROD	
32	72363803	1	CARRIER	
33	72315681	2	HEXAGONAL HEAD BOLT	DIN 933 M10X25-8.8A3L
34	72315054	2	SPLIT WASHER	FWN 65208-10-A3L
35	72387057	1	RING	
36	72313796	2	TENSIONING PIN	ISO8752-3X18-A-ST-OB3 FWN10256
37	72403270	1	ROLLER	
38	72311059	1	LOCK WASHER	DIN 471-12X1
39	72363807	1	SHAFT	
40	72407986	1	ROD	

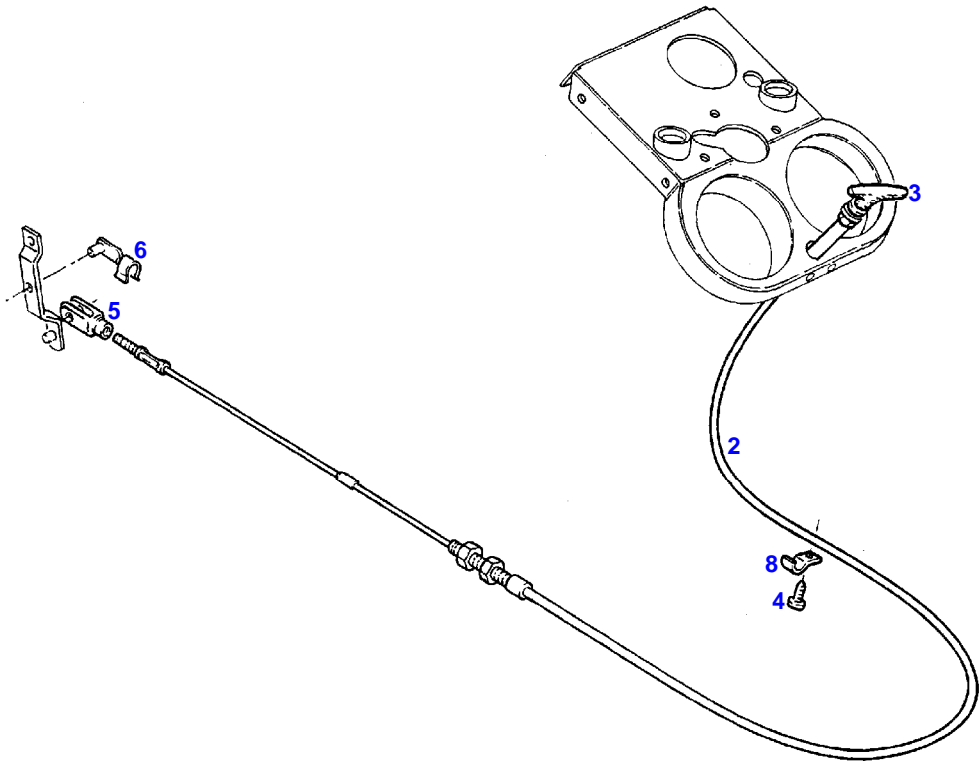
Item	Part Number	Qty	Description Comments	Technical Specification
41	72407987	1	FORK	
42	72315633	1	HEXAGONAL HEAD BOLT	DIN 933 M6X25-8.8A3L
43	72313318	1	NUT	DIN6925-M6-8-A3L
44	72407991	1	LEG SPRING	
45	72605304	2	CLIP	
46	72407989	1	PIPE	
47	72393653	2	BUSH	
48	72363805	1	LEVER	
49	72313808	1	TENSIONING PIN	ISO8752-5X18-A-ST-OB3
50	72313890	1	STUD BOLT	
51	72315631	1	HEXAGONAL HEAD BOLT	DIN 933 M6 X 20-8.8A3L
52	72424266	2	SPACER TUBE	
53	72363808	1	CARRIER --> 360/1578 <-- 360/90001 --> 360/90074	
	72365132	1	CARRIER <-- 360/1579 <-- 360/90075	
54	72363806	1	PEDAL PLATE --> 360/1578 <-- 360/90001 --> 360/90074	
	72365134	1	PEDAL PLATE <-- 360/1579 <-- 360/90075	
55	72310481	1	BOLT	
	72390105	2	BUSH <-- 360/1579 <-- 360/90075	
56	72393658	1	PEDAL COATING --> 360/1578 <-- 360/90001 --> 360/90074	
	72410227	1	RUBBER COATING <-- 360/1579 <-- 360/90075	
57	72315653	2	HEXAGONAL HEAD BOLT	DIN 933 M8 X 25-8.8A3L
58	72313794	1	TENSIONING PIN	ISO8752-3X14-A-ST-ZNPHR10F-KOE
65	72311179	1	DUO-CLIP	6 SXN10



7091



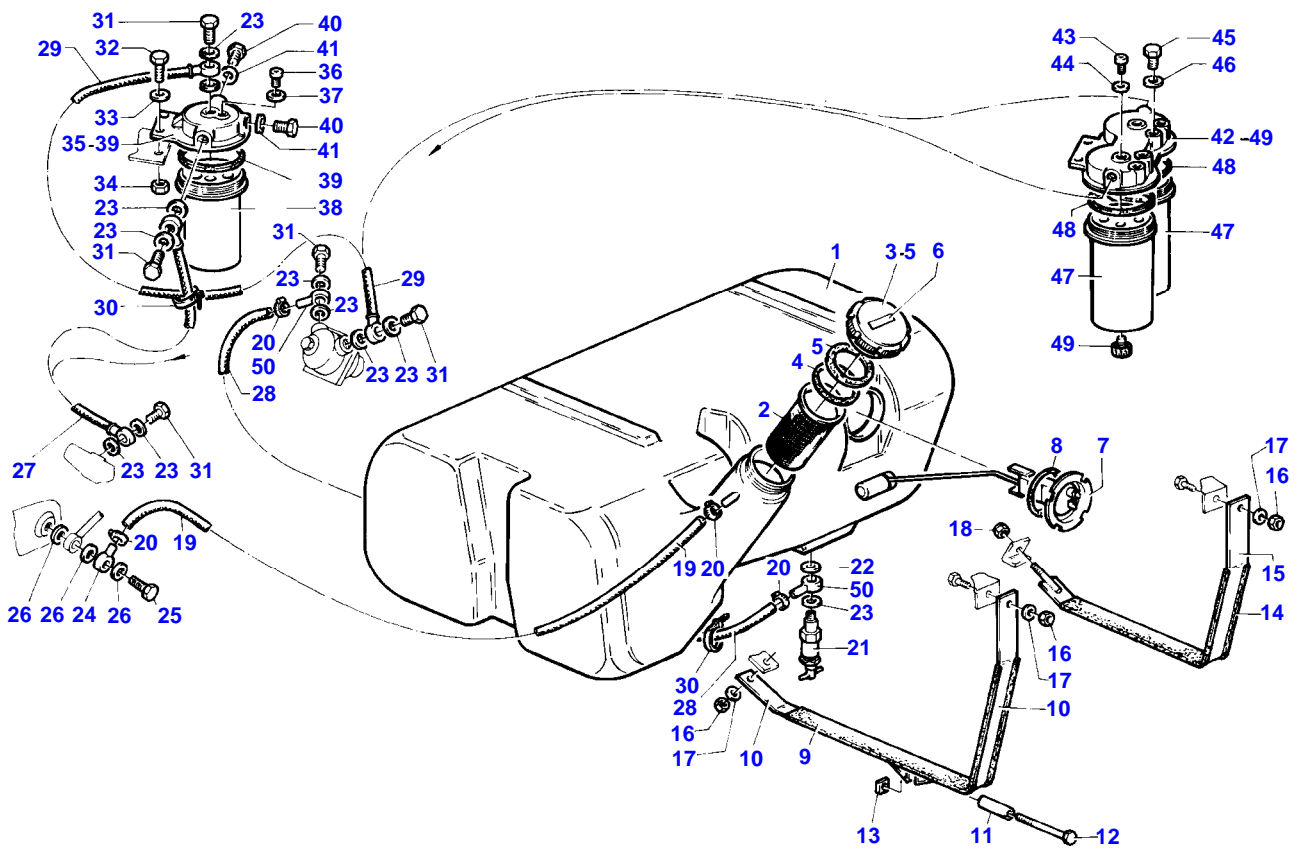
Item	Part Number	Qty	Description Comments	Technical Specification
			--> 360/1556 <-- 360/90001 --> 360/90074	
1	72389918	1	COMPRESSION SPRING	
2	72350138	1	STOP CABLE	
			><3	
			<>	
	72310448	1	BOLT	FWN 64072 6X24 A3L
	72311308	1	CLEVIS	DIN 71752 G6X24-A3L
3	72343546	1	PULL HANDLE	
4	72374968	1	SCREW	DIN7976-ST4,8X9,5-C-A3L
5	72375731	1	COTTER	DIN 94-2X16-ST.A3L
6	72311787	1	DISC	DIN 125-6,4-ST.A3L
7	72372717	1	CABLE CLAMP	DIN 741 -3
8	72373448	1	FASTENING COLLAR	DIN 72571-1X8-ST VZK



11817

Item	Part Number	Qty	Description Comments	Technical Specification
			<-- 360/1557 --> 360/90000 <-- 360/90075	
2	72350138	1	STOP CABLE ><3	
3	72343546	1	PULL HANDLE	
4	72315789	1	SCREW	DIN 7981 ST4,8X9,5-C-H-A3
5	72311308	1	CLEVIS	DIN 71752 G6X24-A3L
6	72310448	1	BOLT	FWN 64072 6X24 A3L
8	72373448	1	FASTENING COLLAR	DIN 72571-1X8-ST VZK

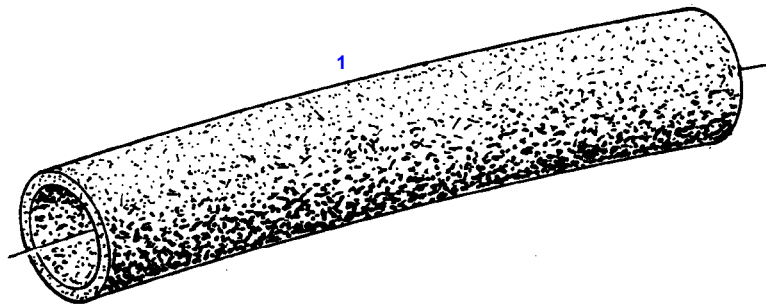
GT 360GT (360/00001-99999)  
3494



7677

Item	Part Number	Qty	Description Comments	Technical Specification
1	72417205	1	FUEL TANK ><3-5 <>	
	72311209	1	THRUST RING	
	72418883	1	REDUCING STUD	
	72313443	1	O-RING	20X3-NBR 70 FWN56402
2	72433112	1	STRAINER	60X100-MS
3	72380143	1	FUEL CAP ><4-5	M.BELUEF
4	72330725	1	SEAL	
5	72330726	1	SEAL	
6				
			NO LONGER AVAILABLE	
7	72380146	1	FUEL LEVEL SENSOR ><8	
8	72315169	1	SEALING WASHER	
9	72450972	1	PROTECTIVE SECTION 1X 650 MM CUT TO LENGTH	L=920 FWN 63040 H01
10	72407995	2	BAND CLAMP	
11	72409314	1	BUSHING	
12	72374432	1	HEXAGONAL HEAD BOLT	DIN 933 M8X100-8.8A3L
13	72372785	1	SQUARE NUT	DIN 557 M8-A3L
14	72450972	1	PROTECTIVE SECTION 1X 400 MM CUT TO LENGTH	L=920 FWN 63040 H01
15	72363810	1	BAND CLAMP	
16	72313268	3	NUT	DIN 934 M8-8A3L
17	72315053	3	SPLIT WASHER	FWN 65208-8-A3L
18	72313320	1	NUT	DIN6925-M8-8-A3L
19	72435830	1	PRESSURE HOSE 1X 1600 MM CUT TO LENGTH	L=2100
20	72438345	4	HOSE CLIP	
21	72380159	1	FUEL SHUT-OFF VALVE	
22	72315093	3	SEALING WASHER	DIN 7603 A12X18-CU
23	72315094	12	SEALING WASHER	DIN 7603 A14X18-CU
24	72377530	1	RING HOSE NIPPLE	FWN65910-A-DN2
25	72344393	1	BANJO BOLT	
26	72315086	3	SEALING WASHER	DIN 7603 A8X11,5-CU
27	72363813	1	FUEL LINE	
28	72450354	1	PRESSURE HOSE 1X 1510 MM CUT TO LENGTH	L=2350
29	72363812	1	FUEL LINE	
30	72316916	2	CABLE STRAP	FWN 66650 B175X4-SW
31	72315808	5	BANJO BOLT	DIN 7643-10-3-A3L
32	72315685	2	HEXAGONAL HEAD BOLT	DIN 933 M10X30-8.8A3L
33	72311789	2	DISC	DIN 125-10,5-ST.A3L
34	72313272	2	NUT	DIN 934 M10-8A3L
35	72615599	1	FILTER LID ><36,37	
36	72323290	1	BLEED SCREW	
37	72315084	1	SEALING WASHER	DIN 7603 A6X10-CU
38	72416928	1	FILTER BOX ><39	
39	72314995	1	RUBBER RING	
40	72315799	2	PLUG	DIN 7604 AM14X1,5-A3L
41	72315094	2	SEALING WASHER	DIN 7603 A14X18-CU
42	72380173	1	PARALLEL FILTER BOSCH ><43-49 <-- X810.190.166.000 1X <>	
	72416928	2	FILTER BOX	

Item	Part Number	Qty	Description Comments	Technical Specification
	72451307	1	COVER KNECHT ><42,43 <>	PARALLELFILT.
	72416928	2	FILTER BOX	
43	72323290	2	BLEED SCREW BOSCH	
	72314699	2	BLEED SCREW KNECHT	
44	72315084	2	SEALING WASHER BOSCH	DIN 7603 A6X10-CU
	72315086	2	SEALING WASHER KNECHT	DIN 7603 A8X11,5-CU
45	72326250	1	SCREW BOSCH	
46	72315094	1	SEALING WASHER BOSCH	DIN 7603 A14X18-CU
47	72416928	2	FILTER BOX ><48	
48	72314995	2	RUBBER RING	
49	72380174	2	SCREW	
50	72377531	2	RING HOSE NIPPLE	FWN65910-A-DN8

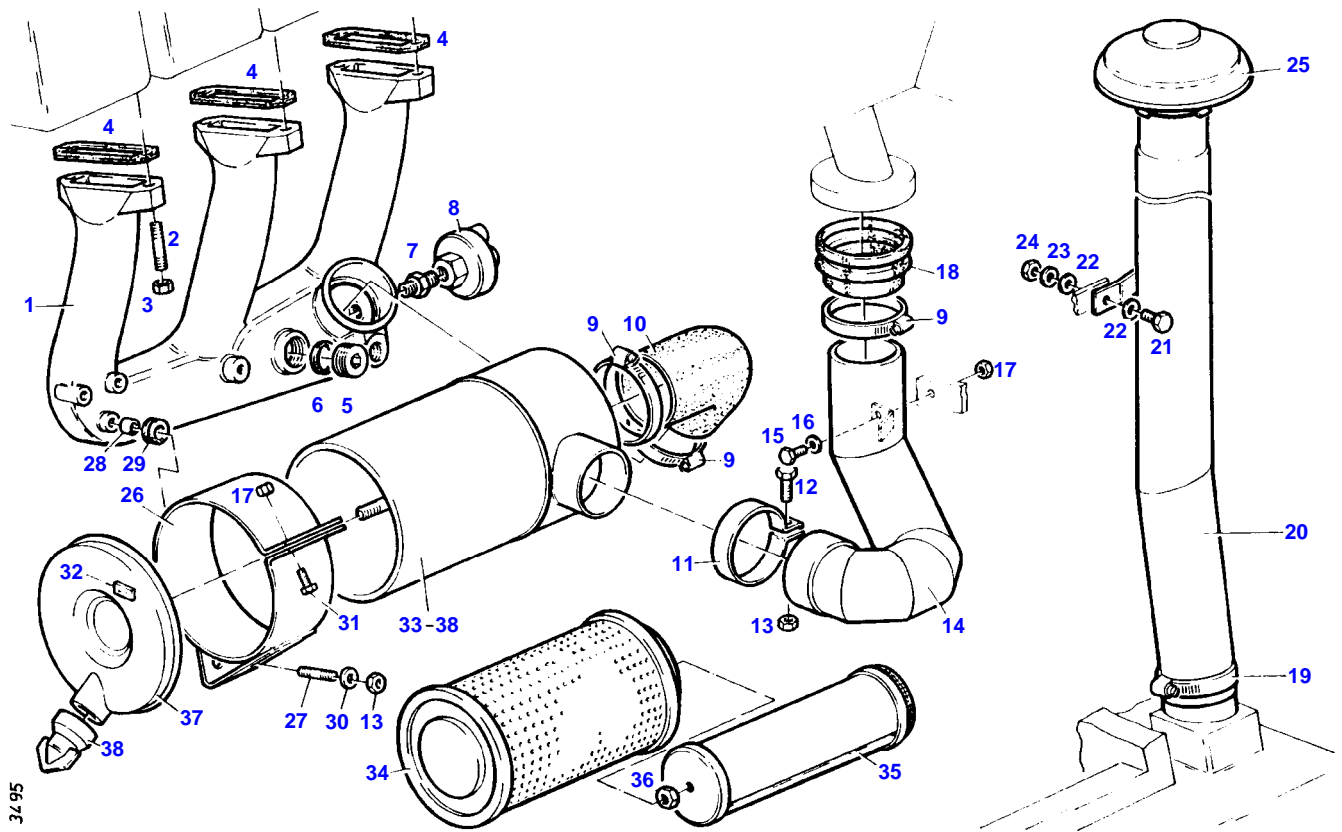


8555

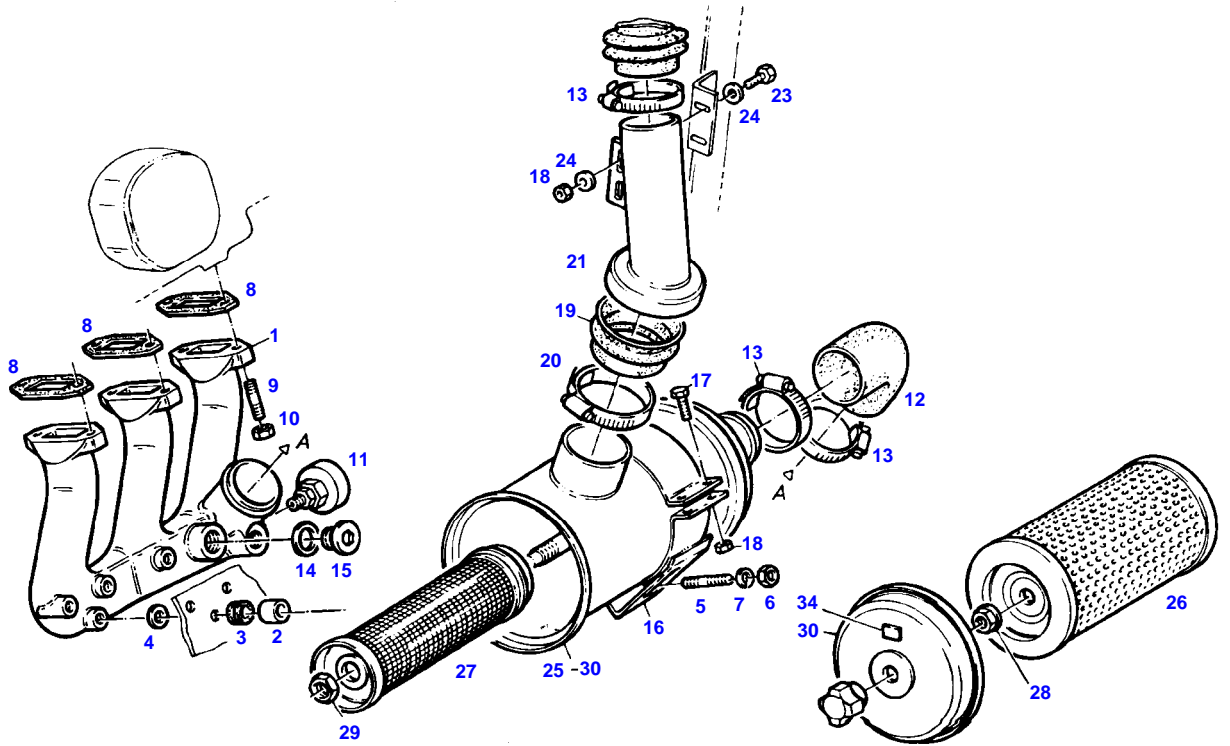
Item	Part Number	Qty	Description Comments	Technical Specification
			<b>RAPE SEED OIL METHYLATED ESTER</b>	
1	72436293	1	HEAT SHRINK TUBING 1X 2500 MM CUT TO LENGTH	L=2600
	72436294	X	HEAT SHRINK TUBING 1X 3000 MM CUT TO LENGTH	L=3100
	72436295	1	HEAT SHRINK TUBING 1X 2000 MM CUT TO LENGTH	L=2100



GT 360GT (360/00001-99999)  
3495

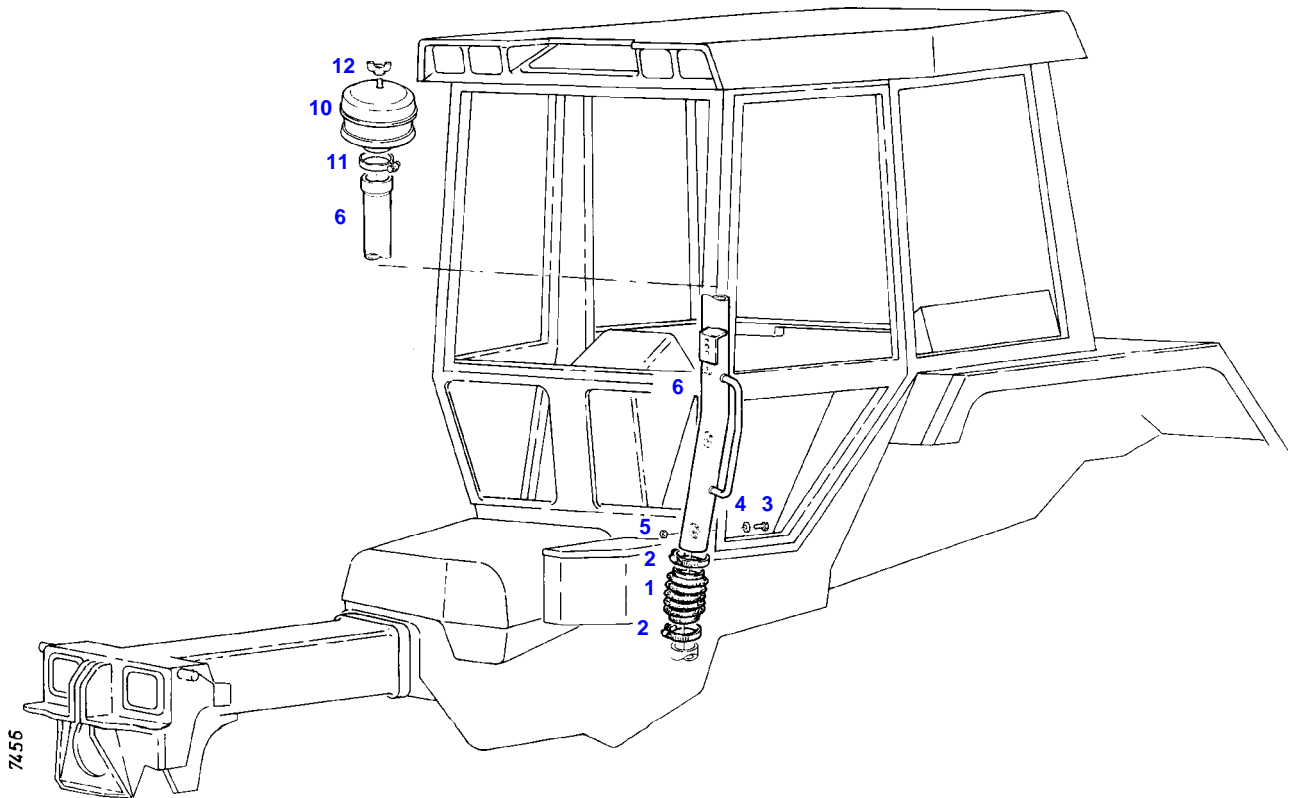


Item	Part Number	Qty	Description Comments	Technical Specification
			--> 360/1105 <-- 360/90001 --> 360/90049	
1	72407996	1	INTAKE MANIFOLD	
2	72374626	6	STUD BOLT	DIN 939 M8X35-8.8
3	72313268	6	NUT	DIN 934 M8-8A3L
4	72431538	3	SEAL REPLACE ALL SEALS	
5	72315442	1	PLUG	DIN 908 M22X1,5-ST
6	72315101	1	SEALING WASHER	DIN 7603 A22X27-CU
7	72339032	1	THREADED SOCKET	
8	72379891	1	MAINTENANCE SWITCH	
9	72373528	3	HOSE CLIP	
10	72407997	1	RUBBER ARCH	
11	72373438	1	PIPE CLAMP	DIN 71555-65,5-A3L
12	72315651	1	HEXAGONAL HEAD BOLT	DIN 933 M8X22-8.8A3L
13	72313268	4	NUT	DIN 934 M8-8A3L
14	72363816	1	INTAKE BEND	
15	72315632	1	HEXAGONAL HEAD BOLT	DIN 933 M6X22-8.8
16	72311808	X	DISC	DIN 440 R6,6-ST.A3L
17	72313266	3	NUT	DIN 934 M6-8A3L
18	72407998	1	BELLOWS	
19	72373516	1	CLAMPING CLIP	
20	72363815	1	INTAKE MANIFOLD	
21	72315650	1	HEXAGONAL HEAD BOLT	DIN 933 M8 X 20-8.8A3L
22	72311788	2	DISC	DIN 125-8,4-ST.A3L
23	72317121	1	SPRING WASHER	DIN 137 B8-MECH.VZK
24	72313268	1	NUT	DIN 934 M8-8A3L
25	72330730	1	RAIN CAP	
26	72363814	1	RETAINER	
27	72313770	3	STUD BOLT	FWN64891-M8X20-8.8
28	72310751	3	BUSH	
29	72312482	3	UNIVERSAL SPOUT	
30	72315053	3	SPLIT WASHER	FWN 65208-8-A3L
31	72315631	2	HEXAGONAL HEAD BOLT	DIN 933 M6 X 20-8.8A3L
32	72390400	1	ABSORPTION INDICATOR 1,2	
	72391711	1	ABSORPTION INDICATOR 1,1	
33	72350140	1	AIR FILTER ><33-38	
	72339036	1	DIFFUSER NOT ILLUSTRATED	
34	72380181	1	MICRO-STAR INSERT	
35	72333112	1	SAFETY INSERT	
36	72313299	1	NUT	DIN 936-M16X1,5-17H
37	72339034	1	FLOOR	
38	72326122	1	DUST DISCHARGE VALVE	



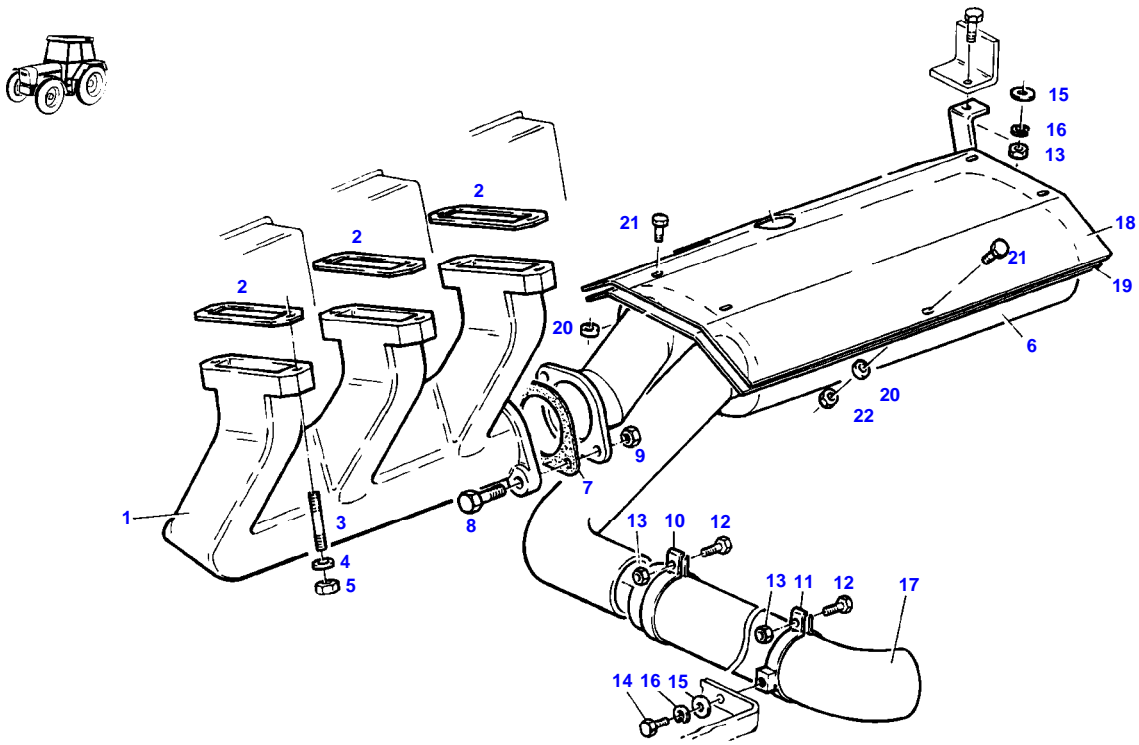
7975

Item	Part Number	Qty	Description Comments	Technical Specification
			<-- 360/1106 --> 360/90000 <-- 360/90050	
1	72407996	1	INTAKE MANIFOLD	
2	72310751	3	BUSH	
3	72312482	3	UNIVERSAL SPOUT	
	72311824	3	DISC	DIN9021-8,4-140HV-A3L
4	72316967	3	SPACER TUBE	
5	72374626	3	STUD BOLT	DIN 939 M8X35-8.8
6	72313268	3	NUT	DIN 934 M8-8A3L
7	72315053	3	SPLIT WASHER	FWN 65208-8-A3L
8	72431538	3	SEAL REPLACE ALL SEALS	
9	72374626	6	STUD BOLT	DIN 939 M8X35-8.8
10	72313268	6	NUT	DIN 934 M8-8A3L
11	72379891	1	MAINTENANCE SWITCH	
12	72397842	1	RUBBER ARCH	
13	72373528	3	HOSE CLIP	
14	72315101	1	SEALING WASHER	DIN 7603 A22X27-CU
15	72315442	1	PLUG	DIN 908 M22X1,5-ST
16	72363814	1	RETAINER	
17	72315635	2	HEXAGONAL HEAD BOLT	DIN 933 M6X35-8.8A3L
18	72313266	4	NUT	DIN 934 M6-8A3L
19	72407998	1	BELLOWS	
20	72311171	1	HOSE CLIP	
21	72363817	1	AIR INTAKE PORT	
23	72315630	4	HEXAGONAL HEAD BOLT	DIN 933 M6X18-8.8A3L
24	72311822	2	DISC	DIN9021-6,4-140HV-A3L
25	72350141	1	AIR FILTER >> 26-30	
26	72329734	1	MICRO-TOP CARTRIDGE	
27	72329735	1	SAFETY CARTRIDGE	
28	72339030	1	COLLAR NUT	
29	72313299	1	NUT	DIN 936-M16X1,5-17H
30	72343075	1	FLOOR	
34	72391711	1	ABSORPTION INDICATOR 1,1	
	72390400	1	ABSORPTION INDICATOR 1,2	



Item	Part Number	Qty	Description Comments	Technical Specification
			<-- 360/1106 --> 360/90000 <-- 360/90050	
1	72407999	1	BELLOWS	
2	72373528	1	HOSE CLIP	
3	72315630	1	HEXAGONAL HEAD BOLT	DIN 933 M6X18-8.8A3L
4	72311822	1	DISC	DIN9021-6,4-140HV-A3L
5	72313266	1	NUT	DIN 934 M6-8A3L
6	72363845	1	INTAKE LINE	
	72363846	1	INTAKE LINE CABIN-ROOF LOW	
	72363818	1	INTAKE LINE WITHOUT CABIN	
	72315650	2	HEXAGONAL HEAD BOLT NOT ILLUSTRATED	DIN 933 M8 X 20-8.8A3L
	72313268	2	NUT NOT ILLUSTRATED	DIN 934 M8-8A3L
	72317121	2	SPRING WASHER NOT ILLUSTRATED	DIN 137 B8-MECH.VZK
	72311788	2	DISC NOT ILLUSTRATED	DIN 125-8,4-ST.A3L
10	72350142	1	PRE-CLEANER ><10-12	
	72343076	1	DUST CUP	
11	72311171	1	HOSE CLIP	
12	72343074	1	WING NUT	

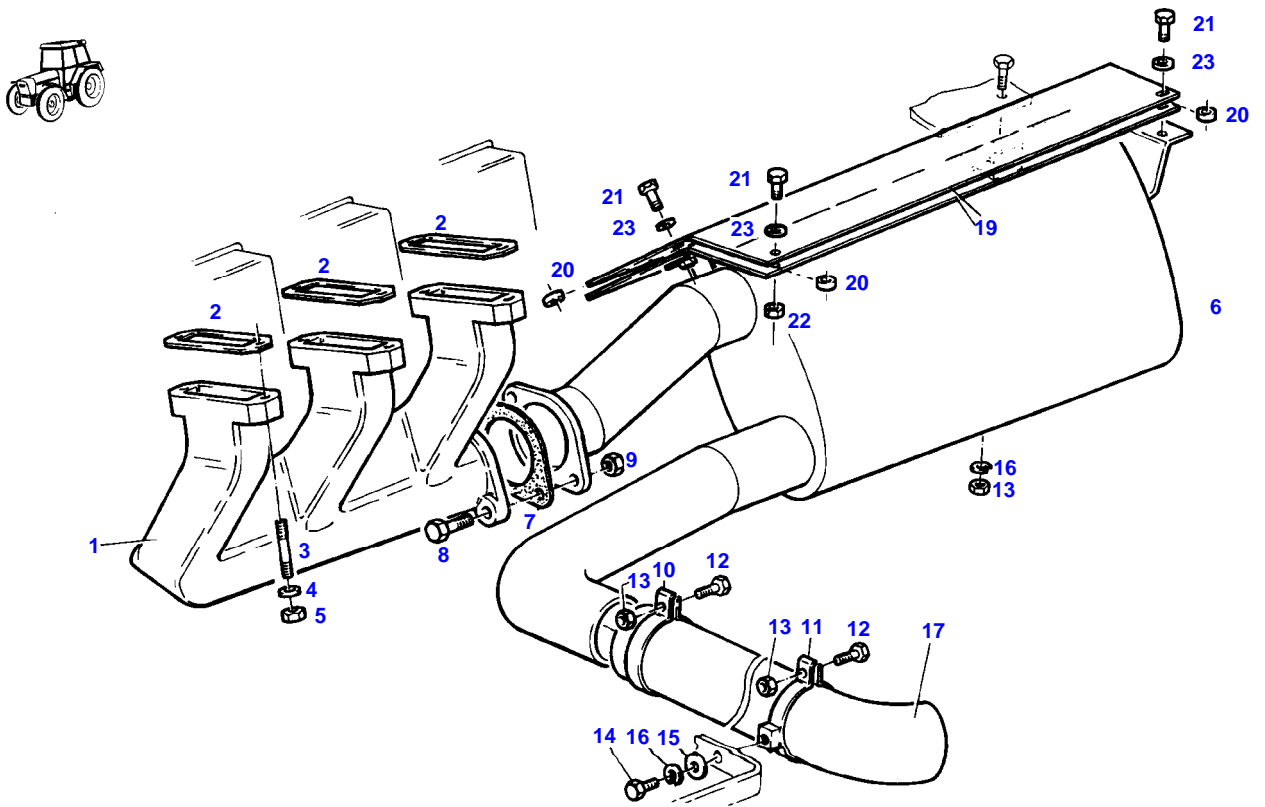
GT 360GT (360/00001-99999)  
7976



7976

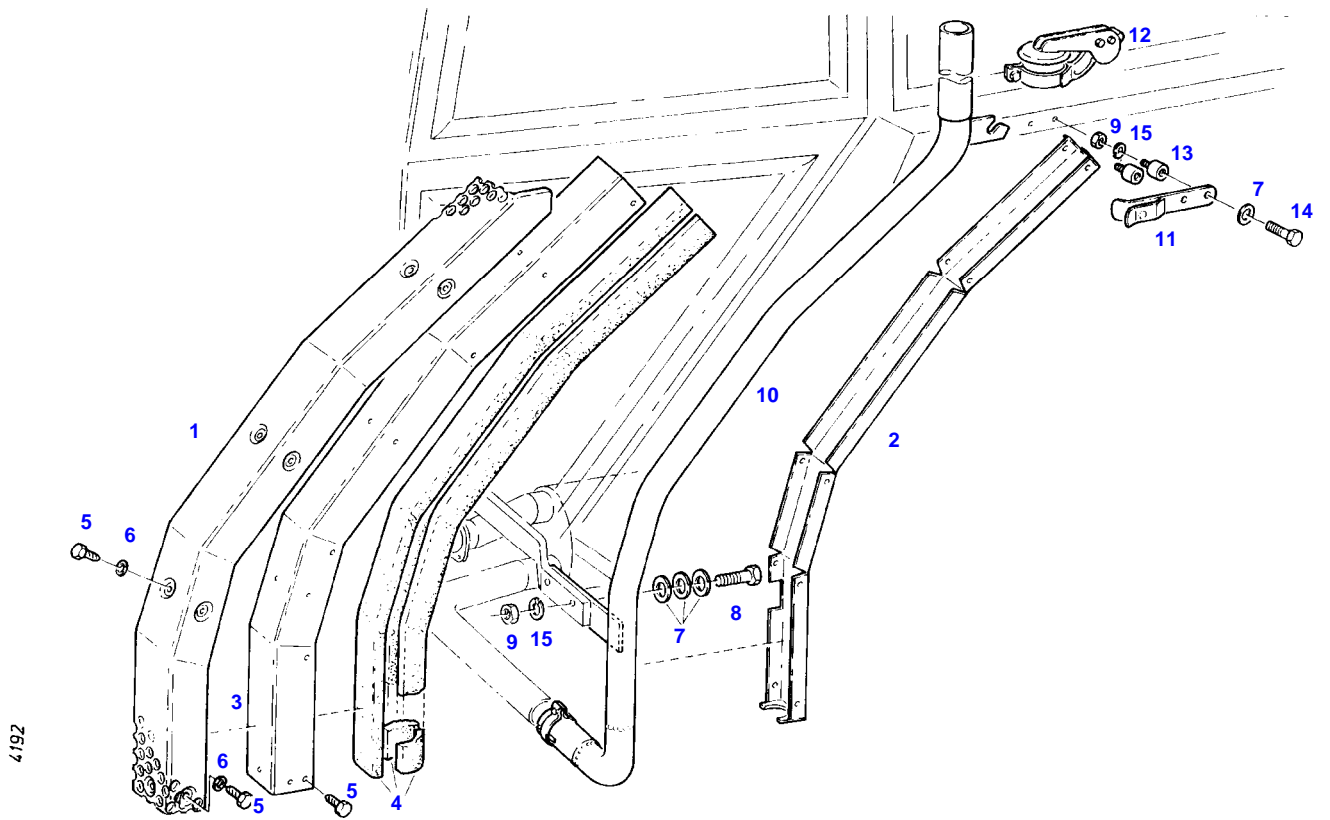
Item	Part Number	Qty	Description Comments	Technical Specification
1	72408001	1	EXHAUST COLLECTING PIPE	
2	72431541	3	SEAL REPLACE ALL SEALS	
3	72373907	6	STUD BOLT	DIN 835 M8X35-8.8
4	72311788	6	DISC	DIN 125-8,4-ST.A3L
5	72324283	6	NUT	
6	72363822	1	EXHAUST --> 360/1042 <> <-- 360/90001-->360/90049 <> 18-22 <>	
	72311848	6	DISC	
	72408003	1	SCREENING SHIELD	
	72408002	1	SCREENING SHIELD	
	72315626	6	HEXAGONAL HEAD BOLT	DIN 933-M6 X 16-8.8-A3L
	72313266	1	NUT	DIN 934 M6-8A3L
7	72376173	1	SEAL	DIN71511-56X82X1,5-ST AFM5M.E.
8	72315691	2	HEXAGONAL HEAD BOLT	DIN 933 M10X40-8.8A3L
9	72373015	2	NUT	DIN70615-M10-8-A3B
10	72373435	1	PIPE CLAMP	DIN 71555-60,5-ZN12B
11	72363823	1	RETAINER <-- X456.662.200 1X <>	
	72315673	1	HEXAGONAL HEAD BOLT	DIN 933 M8X75-8.8A3L
	72396731	2	BUSH	
12	72315653	2	HEXAGONAL HEAD BOLT	DIN 933 M8 X 25-8.8A3L
13	72313268	3	NUT	DIN 934 M8-8A3L
14	72315642	1	HEXAGONAL HEAD BOLT	DIN 933 M8 X 16-8.8A3L
15	72311824	1	DISC	DIN9021-8,4-140HV-A3L
16	72315053	2	SPLIT WASHER	FWN 65208-8-A3L
17	72408004	1	PIPE	
18	72408002	1	SCREENING SHIELD --> 360/1042 <-- 360/1043 --> 360/90000 <-- 360/90050 <-- 360/90001 --> 360/90049 SEE OIL TANK	
19	72408003	1	SCREENING SHIELD --> 360/1042 <-- 360/1043 --> 360/90000 <-- 360/90050 <-- 360/90001 --> 360/90049 SEE OIL TANK	
20	72311848	6	DISC <-- 360/1043 --> 360/90000 <-- 360/90050	
21	72315626	6	HEXAGONAL HEAD BOLT <-- 360/1043 --> 360/90000 <-- 360/90050	DIN 933-M6 X 16-8.8-A3L
22	72313266	1	NUT <-- 360/1043 --> 360/90000 <-- 360/90050	DIN 934 M6-8A3L



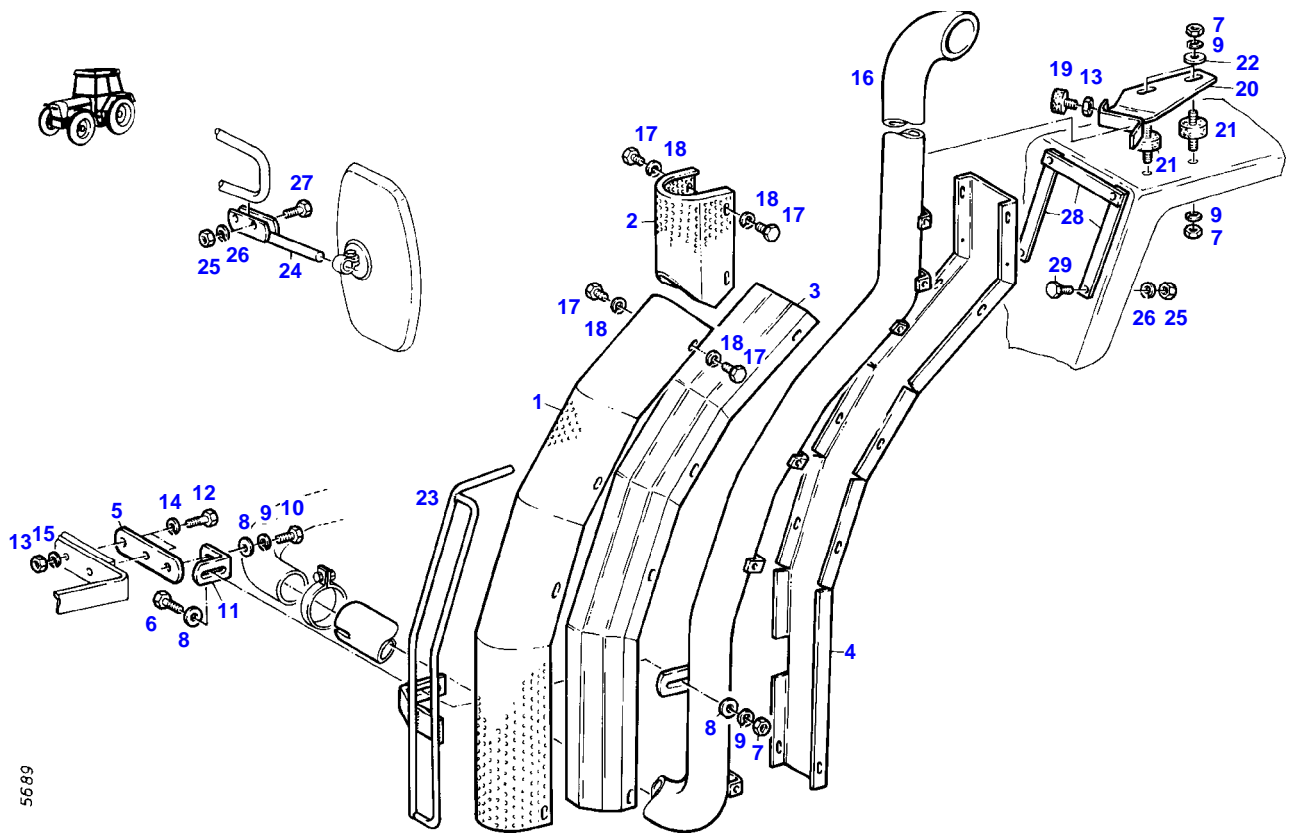


T 7977

Item	Part Number	Qty	Description Comments	Technical Specification
<b>COMPACT-TC</b>				
1	72408001	1	EXHAUST COLLECTING PIPE	
2	72431541	3	SEAL REPLACE ALL SEALS	
3	72373907	6	STUD BOLT	DIN 835 M8X35-8.8
4	72311788	6	DISC	DIN 125-8,4-ST.A3L
5	72324283	6	NUT	
6	72364295	1	EXHAUST --> 360/1042 <> <-- 360/90001-->360/90049 <> 19-23 <>	
	72313266	1	NUT	DIN 934 M6-8A3L
	72311848	6	DISC	
	72315626	6	HEXAGONAL HEAD BOLT	DIN 933-M6 X 16-8.8-A3L
	72311822	8	DISC	DIN9021-6,4-140HV-A3L
	72408687	2	SCREEENING SHIELD	
7	72376173	1	SEAL	DIN71511-56X82X1,5-ST AFM5M.E.
8	72315691	2	HEXAGONAL HEAD BOLT	DIN 933 M10X40-8.8A3L
9	72373015	2	NUT	DIN70615-M10-8-A3B
10	72373435	1	PIPE CLAMP	DIN 71555-60,5-ZN12B
11	72363823	1	RETAINER <-- X456.662.200 1X <>	
	72315673	1	HEXAGONAL HEAD BOLT	DIN 933 M8X75-8.8A3L
	72396731	2	BUSH	
12	72315653	2	HEXAGONAL HEAD BOLT	DIN 933 M8 X 25-8.8A3L
	72315660	1	HEXAGONAL HEAD BOLT	DIN 933 M8X35-8.8A3L
	72393795	2	DISC NOT ILLUSTRATED	
13	72313268	3	NUT	DIN 934 M8-8A3L
14	72315642	1	HEXAGONAL HEAD BOLT	DIN 933 M8 X 16-8.8A3L
15	72311824	1	DISC	DIN9021-8,4-140HV-A3L
16	72317121	2	SPRING WASHER	DIN 137 B8-MECH.VZK
17	72408004	1	PIPE	
19	72408687	2	SCREEENING SHIELD SEE OIL TANK <-- 360/1043 <-- 360/90050 --> 360/1042 <-- 360/90001 --> 360/90049	
20	72311848	6	DISC <-- 360/1043 <-- 360/90050	
21	72315626	6	HEXAGONAL HEAD BOLT <-- 360/1043 <-- 360/90050	DIN 933-M6 X 16-8.8-A3L
22	72313266	1	NUT <-- 360/1043 <-- 360/90050	DIN 934 M6-8A3L
23	72311822	8	DISC	DIN9021-6,4-140HV-A3L

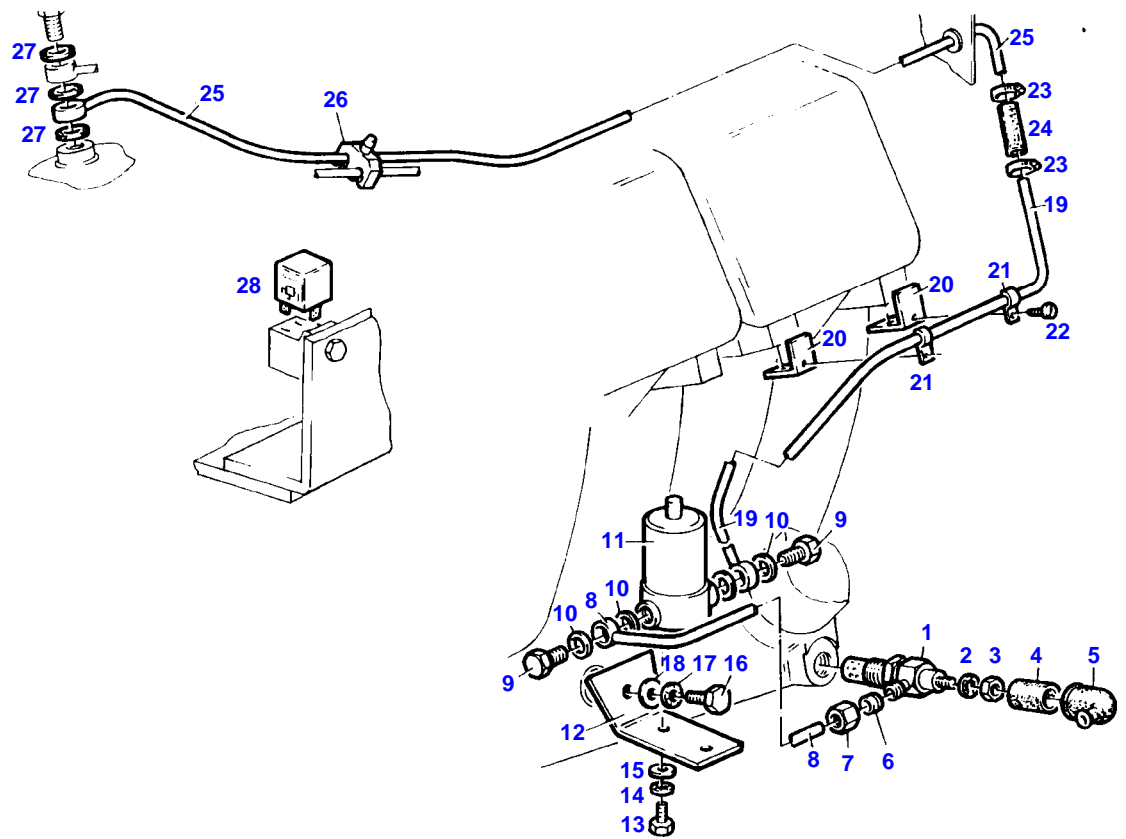


Item	Part Number	Qty	Description Comments	Technical Specification
			--> 360/1108 <-- 360/90001 --> 360/90049	
1	72408008	1	GUARD	
2	72408009	1	TRIM PANEL	
3	72408011	1	TRIM PANEL	
4	72408012	3	MAT INSULATOR	
5	72315820	18	SCREW	DIN7976-ST6,3X13-C-A3L
6	72311822	8	DISC	DIN9021-6,4-140HV-A3L
7	72311824	10	DISC	DIN9021-8,4-140HV-A3L
8	72315668	2	HEXAGONAL HEAD BOLT	DIN 933 M8X50-8.8A3L
9	72313268	4	NUT	DIN 934 M8-8A3L
10	72363839	1	EXHAUST PIPE	
11	72363838	1	RETAINER	
12	72348549	1	EXHAUST WEATHER CAP	
13	72310633	2	BUFFER	
14	72315645	2	HEXAGONAL HEAD BOLT	DIN 933 M8 X 12-8.8A3L
15	72315053	4	SPLIT WASHER	FWN 65208-8-A3L



5689

Item	Part Number	Qty	Description Comments	Technical Specification
			<-- 360/1109 --> 360/90000 <-- 360/90050	
1	72408013	1	GUARD	
2	72408014	1	GUARD	
3	72408015	1	GUARD	
4	72408016	1	GUARD	
5	72408017	1	PLATE LINK	
6	72315685	1	HEXAGONAL HEAD BOLT	DIN 933 M10X30-8.8A3L
7	72313272	5	NUT	DIN 934 M10-8A3L
8	72311789	3	DISC	DIN 125-10,5-ST.A3L
9	72315054	6	SPLIT WASHER	FWN 65208-10-A3L
10	72315679	1	HEXAGONAL HEAD BOLT	DIN 933 M10X20-8.8A3L
11	72408018	1	ANGLE	
12	72315663	2	HEXAGONAL HEAD BOLT	DIN 933 M8X40-8.8A3L
13	72313268	3	NUT	DIN 934 M8-8A3L
14	72311788	2	DISC	DIN 125-8,4-ST.A3L
15	72315053	2	SPLIT WASHER	FWN 65208-8-A3L
16	72363840	1	EXHAUST PIPE	
17	72315819	12	SCREW	DIN7976-ST4,8X13-C-A3L
18	72311818	12	DISC	DIN9021-5,3-140HV-A3L
19	72310624	1	BUFFER	
20	72363842	1	RETAINER	
21	72379102	2	BUFFER	
22	72311827	2	DISC	DIN9021-10,5-140HV-A3L
23	72363844	1	PROTECTION BAR	
24	72363843	1	RETAINER	
25	72313266	6	NUT	DIN 934 M6-8A3L
26	72315052	6	SPLIT WASHER	FWN 65208-6-A3L
27	72315633	2	HEXAGONAL HEAD BOLT	DIN 933 M6X25-8.8A3L
28	72408019	3	PLATE LINK	
29	72315626	4	HEXAGONAL HEAD BOLT	DIN 933-M6 X 16-8.8-A3L

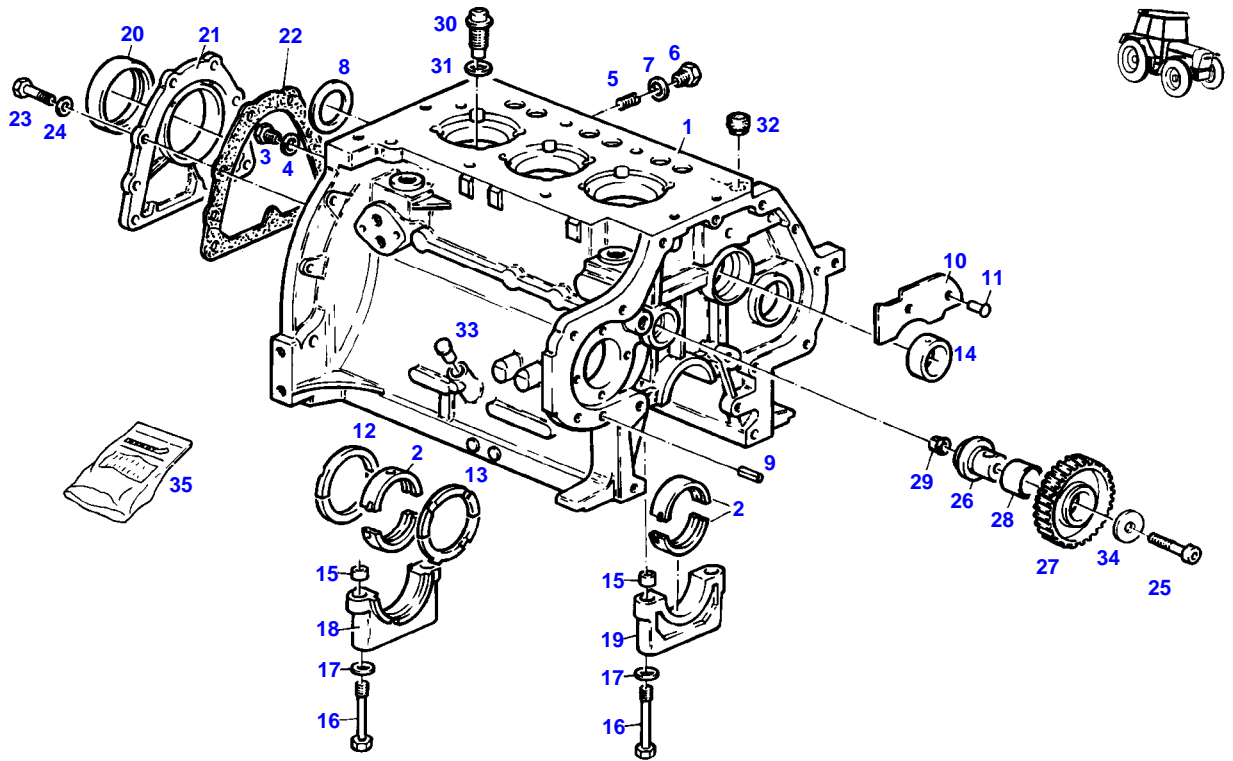


3497

Item	Part Number	Qty	Description Comments	Technical Specification
1	72433489	1	ROD FLAME GLOW PLUG >> 2-3	
2	72317119	1	SPRING WASHER	DIN 137 B5-MECH.VZK
3	72313264	1	NUT	DIN 934 M5-8A3L
4	72436282	1	HOSE 1X 30MM CUT TO LENGTH	L=150 12X2-SILIKONKAUTSCHUK
5	72380426	1	SHIELD CAP	
6	72377312	1	DOUBLE V-RING	DIN 3862-6-9SMNPB28K+G
7	72378005	1	CONNECTING NUT	DIN 3870 ALL6-9S20K A3L
8	72363825	1	PIPE	
9	72315806	2	BANJO BOLT	DIN 7643-6-3-A3L
10	72315088	4	SEALING WASHER	DIN 7603 A10X13,5-CU
11	72317090	1	VALVE SOLENOID	
12	72408006	1	ANGLE	
13	72315629	2	HEXAGONAL HEAD BOLT	DIN 933 M6 X 12-8.8A3L
14	72317120	2	SPRING WASHER	DIN 137 B6-MECH.VZK
15	72311787	2	DISC	DIN 125-6,4-ST.A3L
16	72315645	1	HEXAGONAL HEAD BOLT	DIN 933 M8 X 12-8.8A3L
17	72317121	1	SPRING WASHER	DIN 137 B8-MECH.VZK
18	72311788	1	DISC	DIN 125-8,4-ST.A3L
19	72363827	1	LINE	
20	72410259	2	RETAINER	
21	72311236	2	FASTENING COLLAR	DIN 72571-1X4-ST.A3L
22	72315785	2	SCREW	DIN 7981 ST4,2X9,5-C-H-A3
23	72373477	2	HOSE CLIP	
24	72436283	1	HOSE 1X 50MM CUT TO LENGTH	L=120
25	72363826	1	LINE	
26	72312051	1	CABLE HOLDER	
27	72315095	3	SEALING WASHER	DIN 7603 A14X20-CU
28	72428226	1	GLOW TIME RELAY <-- 360/90001 --> 360/90091 <>	
	72433489	1	ROD FLAME GLOW PLUG	



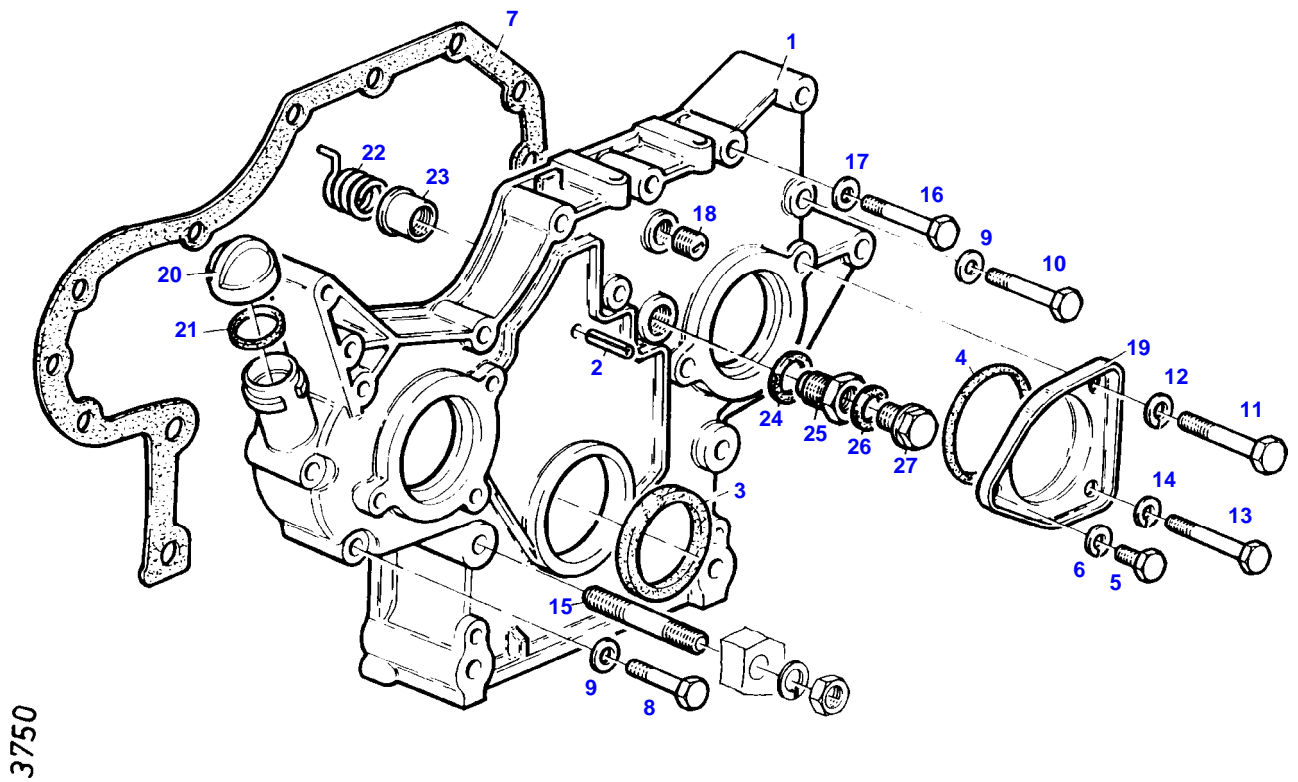
GT 360GT (360/00001-99999)  
7978



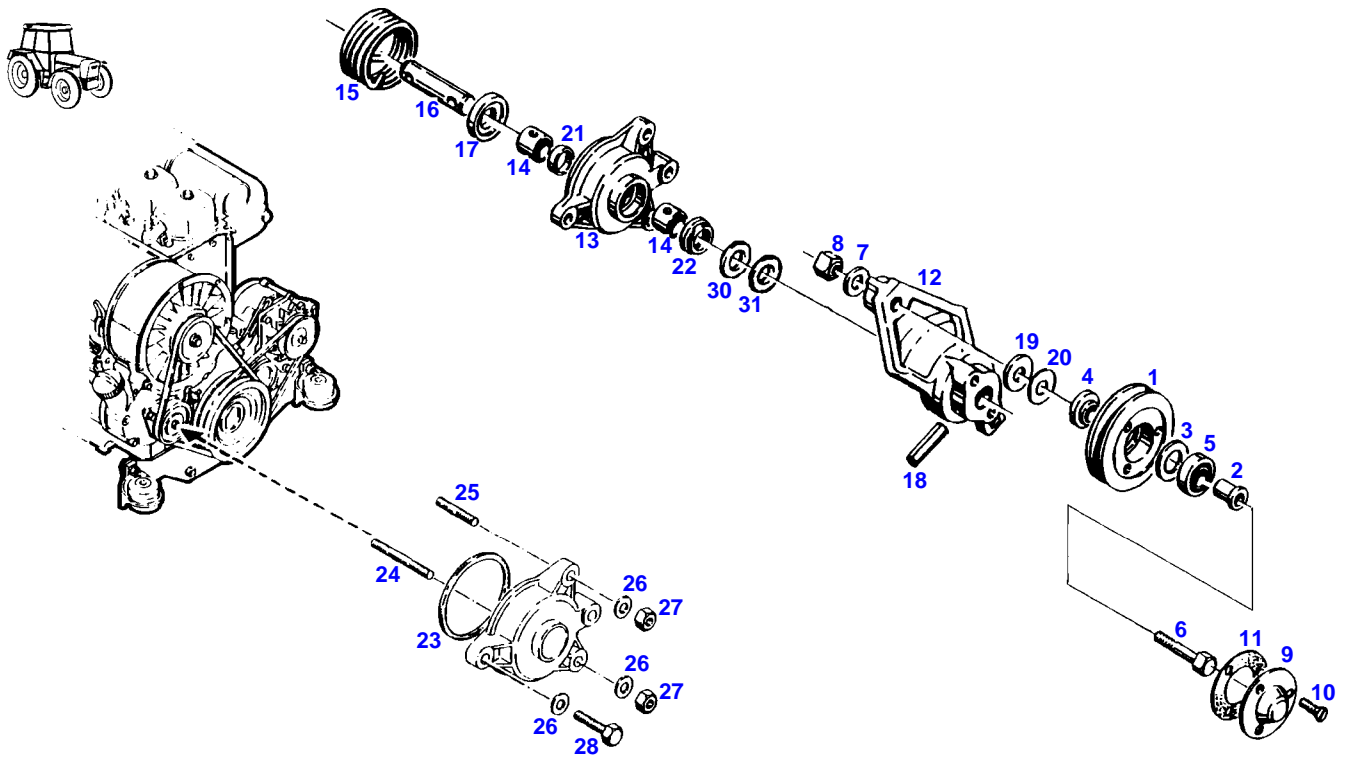
7978

Item	Part Number	Qty	Description Comments	Technical Specification
	72436671	1	DIESEL ENGINE	
1	72324188	1	CRANKCASE ><3-11,14-19,32+33	
2	72324293	4	CRANKSHAFT BEARING 70,00 MM	
	72415975	4	CRANKSHAFT BEARING 69,75 MM	
	72415976	4	CRANKSHAFT BEARING 69,50 MM	
3	72323673	2	SCREW	
4	72315098	2	SEALING WASHER	DIN 7603 A16X22-CU
5	72323675	4	SLOTTED PLUG	
6	72427167	3	SCREW	DIN 908 M12 X 1,5-ST-A3
7	72315090	3	SEALING WASHER	DIN 7603 A12X15,5-CU
8	72323690	1	LOCKING DISC	
9	72323573	2	TENSIONER BUSHING	
10	72324021	1	BAFFLE	
11	72372707	2	SLOTTED PIN	DIN 1476-6X10-ST
12	72425118	1	THRUST RING 2,94 MM	
	72323990	1	THRUST RING FOR STEEL CRANKSHAFT 3,25 MM	
	72496405	1	THRUST RING FOR CAST STEEL CRANKSHAFT 3,14 MM	3,14MM
	72323991	1	THRUST RING FOR STEEL CRANKSHAFT 3,50 MM	
13	72323983	1	THRUST RING 3,00 MM	
	72323984	1	THRUST RING FOR STEEL CRANKSHAFT 3,25 MM	
	72425121	1	THRUST RING FOR CAST STEEL CRANKSHAFT 3,14 MM	
	72323985	1	THRUST RING FOR STEEL CRANKSHAFT 3,50 MM	
14	72344344	1	BUSH	
15	72324286	8	ADAPTER BUSH	
16	72323521	8	HEXAGONAL HEAD BOLT	
17	72323682	8	DISC	
18	72323945	1	BEARING CAP	
19	72323946	1	BEARING CAP	
20	72425119	1	SHAFT SEAL	
21	72324099	1	COVER	
22	72324291	1	SEAL	
	72311273	1	SEALING COMPOUND	TEROST-63S
23	72315648	8	HEXAGONAL HEAD BOLT	DIN 933 M8X20-8.8
24	72311788	8	DISC	DIN 125-8,4-ST.A3L
25	72324090	1	SOCKET HEAD BOLT ENG.NO. --> 7 137 533 <> <>	
	72324088	1	CLIP PIN	
	72324457	1	DISC	
26	72344347	1	PIVOT	
27	72324444	1	INTERMEDIATE GEAR ENG.NO. ><28 --> 7 137 533 <> <>	
	72324090	1	SOCKET HEAD BOLT	
	72324457	1	DISC	

Item	Part Number	Qty	Description Comments	Technical Specification
	72324088	1	CLIP PIN	
28	72324307	1	BUSH	
29	72344346	1	TENSIONER BUSHING	
30	72420361	3	SPRAY NOZZLE	
31	72315053	3	SPLIT WASHER	FWN 65208-8-A3L
32	72323653	1	CORE HOLE PLUG	
33	72324312	1	BOLT	
34	72324457	1	DISC <-- 7 137 534 ENG.NO.	
35	72427478	1	SEAL KIT WITHOUT SHAFT SEALING RINGS	



Item	Part Number	Qty	Description Comments	Technical Specification
1	72323947	1	COVER	
2	72375153	1	TENSIONING PIN	ISO8752-6X45-A-ST-ZNPHR10F-KOE
3	72317651	1	SHAFT SEAL	
4	72323566	1	PERMANENT REINFORCEMENT 80X3	
5	72374417	1	HEXAGONAL HEAD BOLT	DIN 933 M8X8-8.8
6	72315053	1	SPLIT WASHER	FWN 65208-8-A3L
7	72324304	1	SEAL	
	72311273	1	SEALING COMPOUND	TEROST-63S
8	72374161	1	HEXAGONAL HEAD BOLT	DIN 931 M8X60 GWA-10.9
9	72311788	3	DISC	DIN 125-8,4-ST.A3L
10	72315534	2	HEXAGONAL HEAD BOLT	DIN 931 M8 X 70-8.8
11	72374183	1	HEXAGONAL HEAD BOLT	DIN 931 M10X75-8.8
12	72315054	1	SPLIT WASHER	FWN 65208-10-A3L
13	72315537	1	HEXAGONAL HEAD BOLT	DIN 931 M8X85-8.8A3L
14	72315053	1	SPLIT WASHER	FWN 65208-8-A3L
15			SEE FRONT AXLE BRACKET	
16	72315534	2	HEXAGONAL HEAD BOLT	DIN 931 M8 X 70-8.8
17	72311788	2	DISC	DIN 125-8,4-ST.A3L
18	72323556	1	SLOTTED PLUG	
19	72324418	1	COVER	
20	72323709	1	COVER ><21	
21	72323708	1	SEALING WASHER	
22	72324159	1	COMPRESSION SPRING	
23	72323827	1	START-UP CAP	
24	72376036	1	SEALING WASHER	DIN7603 A24X30-ALU
25	72324020	1	SCREW	
26	72315099	1	SEALING WASHER	DIN 7603 A18X22-CU
27	72315801	1	SCREW	DIN 7604-AM18 X 1,5-ST A3L



10775

Thank you so much for reading.  
Please click the “Buy Now!”  
button below to download the  
complete manual.



After you pay.

You can download the most  
perfect and complete manual in  
the world immediately.

Our support email:

[ebooklibonline@outlook.com](mailto:ebooklibonline@outlook.com)