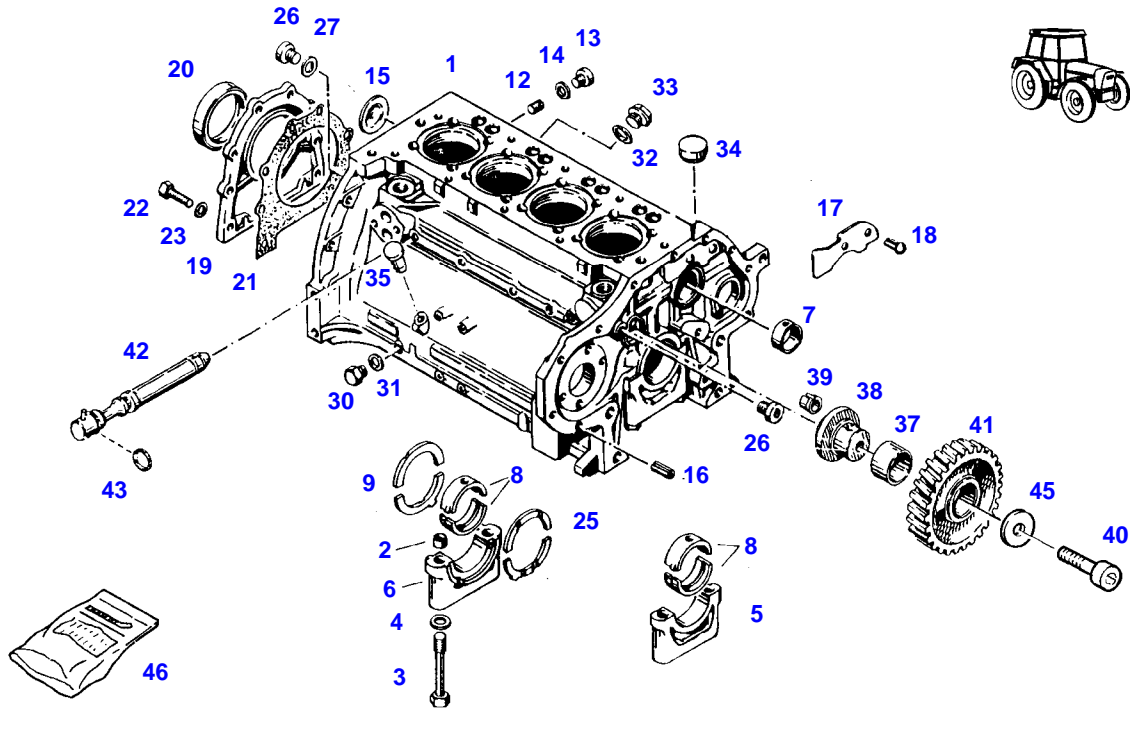


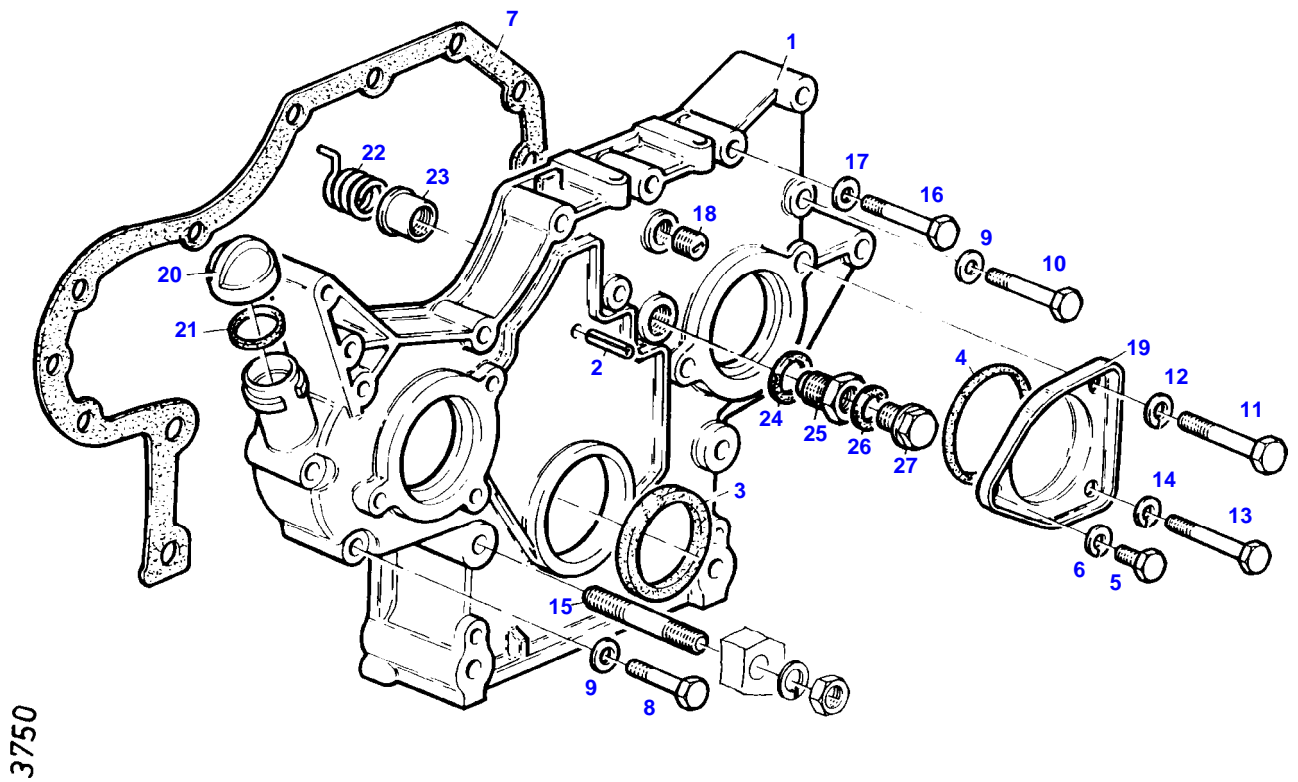
Page Number	Page Title	Page Reference
01-000-TOC	ENGINE, FUEL AND EXHAUST SYSTEM	01-000-TOC
02-000-TOC	AXLES	02-000-TOC
03-000-TOC	STEERING SYSTEM	03-000-TOC
04-000-TOC	DRIVE TRAIN SYSTEM	04-000-TOC
05-000-TOC	COMPRESSED AIR SYSTEM	05-000-TOC
06-000-TOC	HYDRAULIC SYSTEM	06-000-TOC
07-000-TOC	ELECTRICAL SYSTEM	07-000-TOC
08-000-TOC	CAB	08-000-TOC
09-000-TOC	CHASSIS	09-000-TOC
10-000-TOC	WHEELS	10-000-TOC
11-000-TOC	IMPLEMENT LIFT SYSTEM FRONT	11-000-TOC
12-000-TOC	IMPLEMENT LIFT SYSTEM REAR	12-000-TOC
13-000-TOC	FRONT/REAR LOADERS	13-000-TOC
14-000-TOC	ATTACHMENTS	14-000-TOC
15-000-TOC	ACCESSORIES	15-000-TOC

GT 365GT (365/00001-99999)
7519

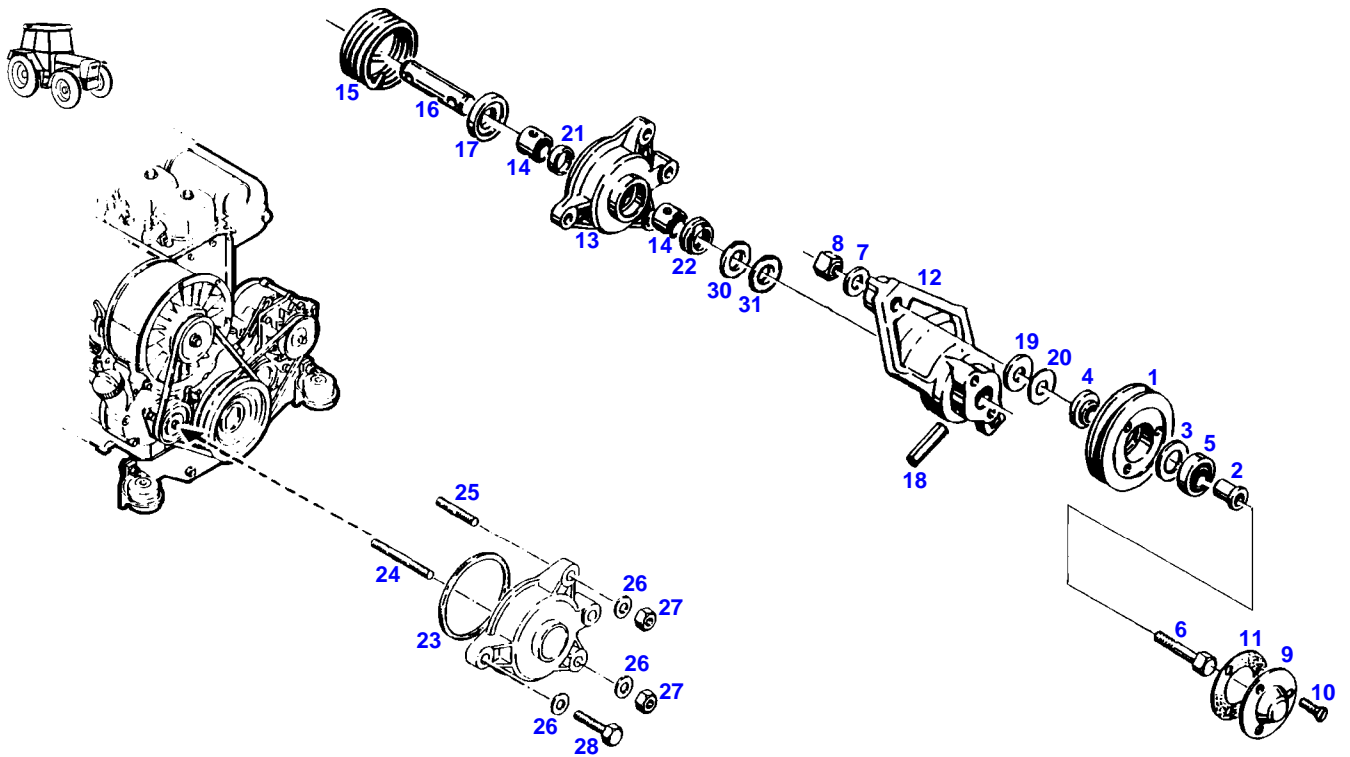


7519

Item	Part Number	Qty	Description Comments	Technical Specification
	72436672	1	DIESEL ENGINE	
1	72324383	1	CRANKCASE ><7,12-18,26,27,30-33	
2	72324286	10	ADAPTER BUSH	
3	72323521	10	HEXAGONAL HEAD BOLT	
4	72323682	10	DISC	
5	72323946	4	BEARING CAP	
6	72323945	1	BEARING CAP	
7	72344344	1	BUSH	
8	72324293	5	CRANKSHAFT BEARING 70,00 MM	
	72415975	5	CRANKSHAFT BEARING 69,75 MM	
	72415976	5	CRANKSHAFT BEARING 69,50 MM	
9	72323980	1	THRUST RING 3,00 MM	
	72323981	1	THRUST RING 3,25 MM	
	72323982	1	THRUST RING 3,50 MM	
12	72323675	5	SLOTTED PLUG	
13	72427167	5	SCREW	DIN 908 M12 X 1,5-ST-A3
14	72315090	5	SEALING WASHER	DIN 7603 A12X15,5-CU
15	72323690	1	LOCKING DISC	
16	72323573	2	TENSIONER BUSHING	
17	72324021	1	BAFFLE	
18	72372707	2	SLOTTED PIN	DIN 1476-6X10-ST
19	72324099	1	COVER	
20	72425119	1	SHAFT SEAL	
21	72324291	1	SEAL	
	72311273	1	SEALING COMPOUND	TEROST-63S
22	72315650	8	HEXAGONAL HEAD BOLT	DIN 933 M8 X 20-8.8A3L
23	72311788	8	DISC	DIN 125-8,4-ST.A3L
25	72323986	1	THRUST RING 3,00 MM	
	72323987	1	THRUST RING 3,25 MM	
	72323988	1	THRUST RING 3,50 MM	
26	72323672	2	SCREW	
27	72376031	1	SEALING WASHER	DIN 7603 A20X24-CU
30	72374942	1	PLUG	DIN 7604 CM10X1-ST
31	72315088	1	SEALING WASHER	DIN 7603 A10X13,5-CU
32	72315104	1	SEALING WASHER	DIN 7603 A26X31-CU
33	72315803	1	SCREW	DIN 7604 CM26X1,5-ST-A3L
34	72323653	1	CORE HOLE PLUG	
35	72324312	1	BOLT	
37	72324455	1	BUSH	
38	72344347	1	PIVOT	
39	72344346	1	TENSIONER BUSHING	
40	72324090	1	SOCKET HEAD BOLT ENG.NO. --> 7 253 058 <> <>	
	72324457	1	DISC	
	72324088	1	CLIP PIN	
41	72324444	1	INTERMEDIATE GEAR	
42	72324216	4	SPRAY NOZZLE	
43	72323628	4	SEAL	
45	72324457	1	DISC <-- 7 253 059 ENG.NO.	
46	72324250	1	SEAL KIT WITHOUT SHAFT SEALING RINGS	

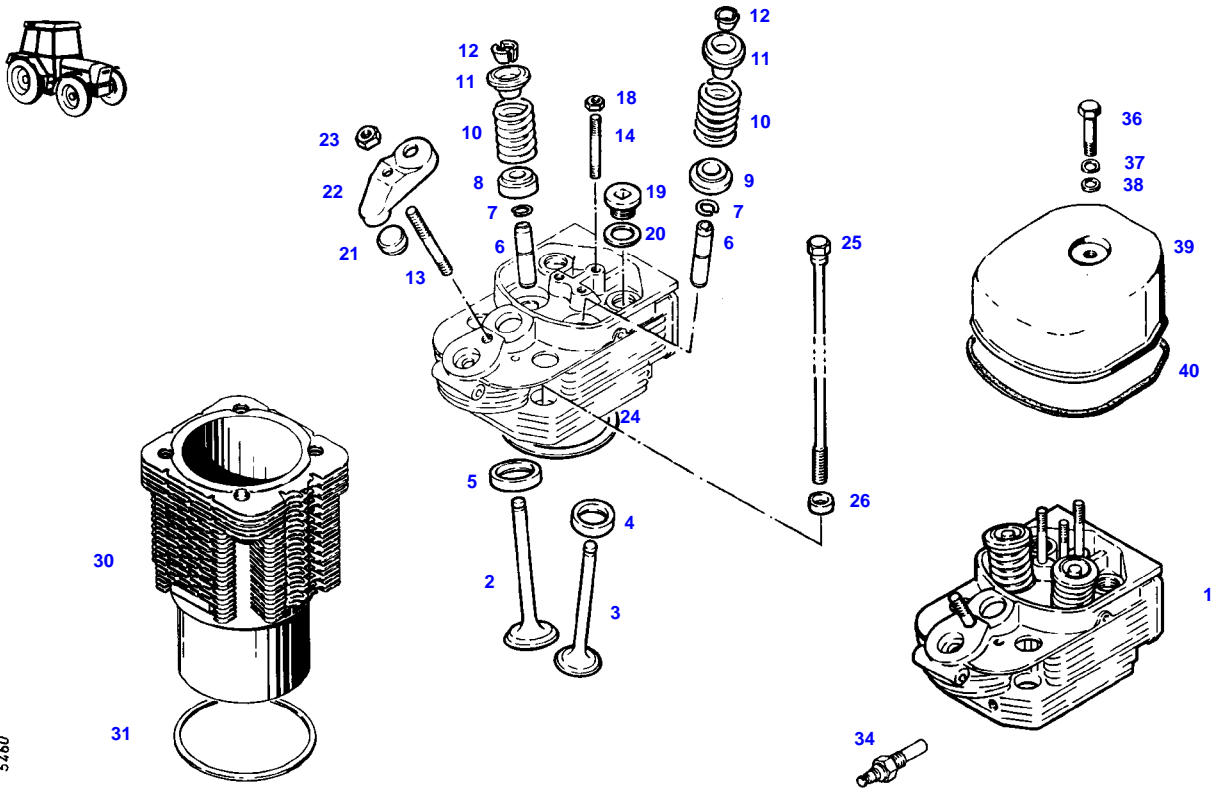


Item	Part Number	Qty	Description Comments	Technical Specification
1	72323947	1	COVER	
2	72375153	1	TENSIONING PIN	ISO8752-6X45-A-ST-ZNPHR10F-KOE
3	72317651	1	SHAFT SEAL	
4	72323566	1	PERMANENT REINFORCEMENT 80X3	
5	72374417	1	HEXAGONAL HEAD BOLT	DIN 933 M8X8-8.8
6	72315053	1	SPLIT WASHER	FWN 65208-8-A3L
7	72324304	1	SEAL	
	72311273	1	SEALING COMPOUND	TEROST-63S
8	72374161	1	HEXAGONAL HEAD BOLT	DIN 931 M8X60 GWA-10.9
9	72311788	3	DISC	DIN 125-8,4-ST.A3L
10	72315534	2	HEXAGONAL HEAD BOLT	DIN 931 M8 X 70-8.8
11	72374183	1	HEXAGONAL HEAD BOLT	DIN 931 M10X75-8.8
12	72315054	1	SPLIT WASHER	FWN 65208-10-A3L
13	72315537	1	HEXAGONAL HEAD BOLT	DIN 931 M8X85-8.8A3L
14	72315053	1	SPLIT WASHER	FWN 65208-8-A3L
15			SEE FRONT AXLE BRACKET	
16	72315534	2	HEXAGONAL HEAD BOLT	DIN 931 M8 X 70-8.8
17	72311788	2	DISC	DIN 125-8,4-ST.A3L
18	72323556	1	SLOTTED PLUG	
19	72324418	1	COVER	
20	72323709	1	COVER ><21	
21	72323708	1	SEALING WASHER	
22	72324159	1	COMPRESSION SPRING	
23	72323827	1	START-UP CAP	
24	72376036	1	SEALING WASHER	DIN7603 A24X30-ALU
25	72324020	1	SCREW	
26	72315099	1	SEALING WASHER	DIN 7603 A18X22-CU
27	72315801	1	SCREW	DIN 7604-AM18 X 1,5-ST A3L



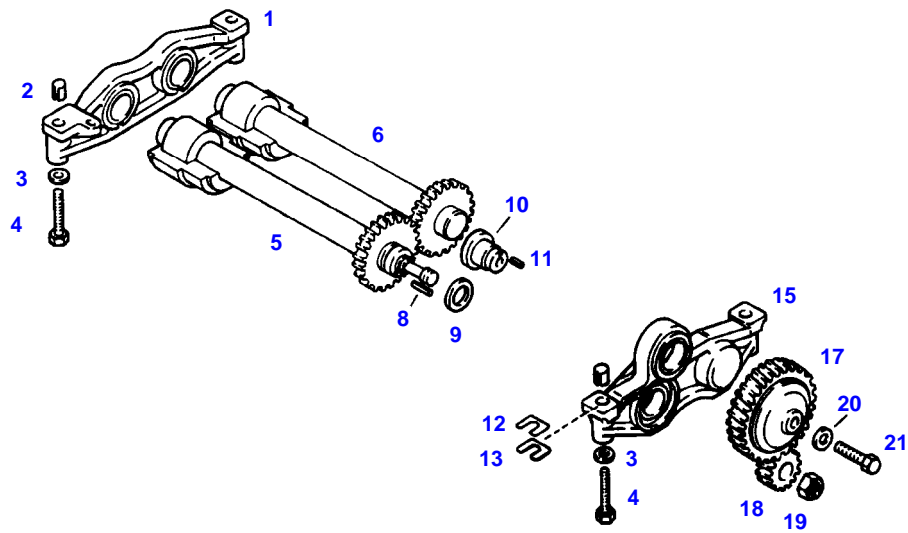
10775

Item	Part Number	Qty	Description Comments	Technical Specification
1	72324420	1	TENSIONING ROLLER ><1-22	
	72323802	1	V BELT SHEAVE	
2	72323801	1	FLANGE BUSHING	
3	72323848	1	DISC	
4	72323847	1	RING	
5	72323614	1	BALL BEARING	
6	72374158	1	HEXAGONAL HEAD BOLT	DIN 931 M8X45-8.8
7	72311788	1	DISC	DIN 125-8,4-ST.A3L
8	72313268	1	NUT	DIN 934 M8-8A3L
9	72324165	1	COVER	
10	72374838	3	COUNTERSUNK CAPSCREW	DIN 963 M6X16-4.8A3L
11	72323849	1	SEAL	
12	72324421	1	TENSIONER LEVER	
13	72324433	1	TENSIONER COVER	
14	72324169	2	BEARING BUSHING	
15	72324168	1	LEG SPRING	
16	72324174	1	SHAFT	
17	72324175	1	DISC	
18	72313829	1	TENSIONING PIN	ISO8752-8X32-A-ST
19	72323824	1	DISC 1,0 MM	
20	72324184	3	DISC 0,3 MM	
21	72324176	1	SPACER RING	
22	72324172	1	SHAFT SEAL	
23	72323566	1	PERMANENT REINFORCEMENT 80X3	
	72343078	1	PERMANENT REINFORCEMENT 78X3	
24	72373909	1	STUD BOLT	DIN 835 M8X45-5.8
25	72373902	1	STUD BOLT	DIN 835 M8X25-5.8
26	72323683	3	DISC	
27	72313268	2	NUT	DIN 934 M8-8A3L
28	72315657	1	HEXAGONAL HEAD BOLT	DIN 933 M8 X 30-8.8A3L
30	72344353	1	THRUST WASHER	
31	72344354	1	THRUST WASHER	



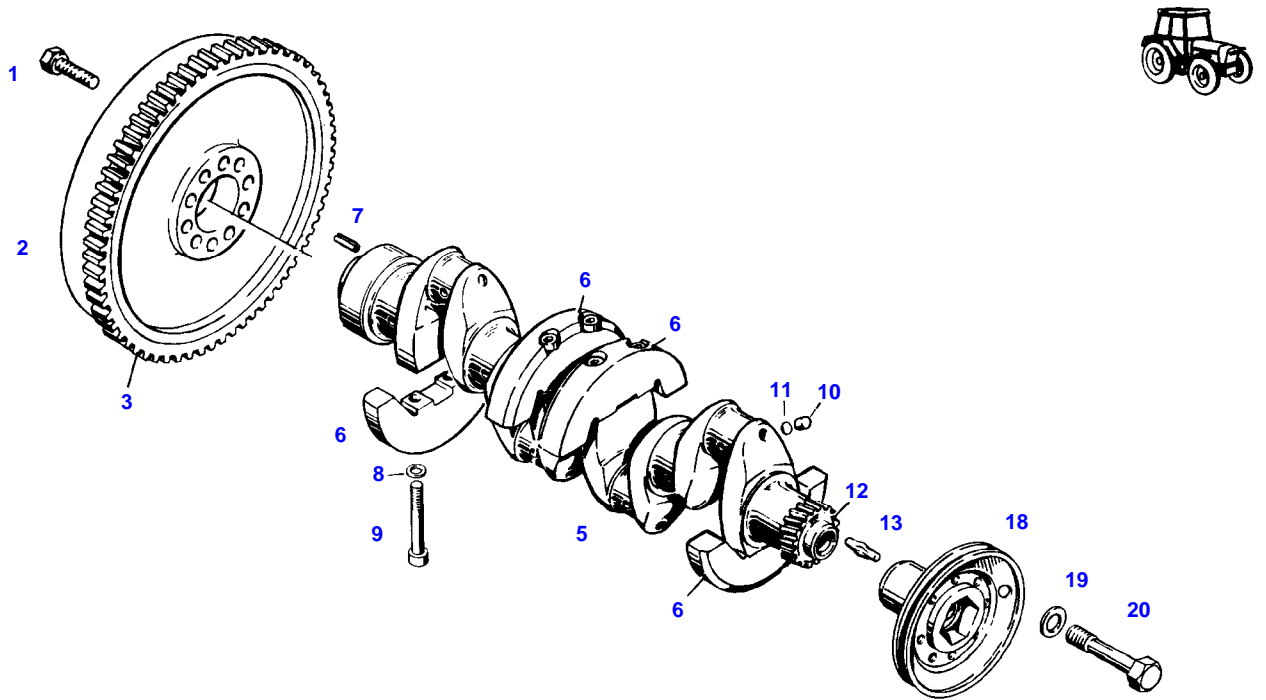
Item	Part Number	Qty	Description Comments	Technical Specification
1	72324222	4	CYLINDER HEAD ><2-14 <>24 <-- F208.200.210.050 <>	
	72324496	4	COMPENSATING RING	
	72344279	4	COMPENSATING RING	
	72344281	4	COMPENSATING RING	
	72344282	4	COMPENSATING RING	
	72344276	4	COMPENSATING RING	
	72344277	4	COMPENSATING RING	
	72344275	4	COMPENSATING RING	
	72344278	4	COMPENSATING RING	
	72344280	4	COMPENSATING RING	
	72344274	4	COMPENSATING RING	
2	72324144	4	INTAKE VALVE	
3	72425071	4	OUTLET VALVE <>	
	72333115	2	VALVE SPRING KEY	
	72323888	1	SPRING RETAINER	
4	72323897	4	VALVE SEAT RING 40,16 MM	
	72323898	4	VALVE SEAT RING 40,26 MM	
	72323899	4	VALVE SEAT RING 40,36 MM	
5	72323894	4	VALVE SEAT RING 45,66 MM	
	72323895	4	VALVE SEAT RING 45,76 MM	
	72323896	4	VALVE SEAT RING 45,85 MM	
6	72324060	8	VALVE GUIDE 15,00 MM	
	72324070	8	VALVE GUIDE 15,25 MM	
	72324071	8	VALVE GUIDE 15,50 MM	
7	72323676	8	LOCKWASHER	
8			NOT USED	
9			NOT USED	
10	72324338	8	COMPRESSION SPRING	
11	72324349	8	SPRING RETAINER	
12	72323582	16	TAPER PIECE HALF	
13	72373929	4	STUD BOLT	DIN 835 M10X70-8.8
14	72418370	12	STUD BOLT	DIN 835-M8 SN4X55-8.8
18	72313268	12	NUT	DIN 934 M8-8A3L
19	72373957	8	SCREW	DIN 908-M26X1,5-ST-A3L
20	72315104	8	SEALING WASHER	DIN 7603 A26X31-CU
21	72323919	4	DISC	
22	72323921	4	HOLDER	
23	72313272	4	NUT	DIN 934 M10-8A3L
24	72324496	4	COMPENSATING RING 1,10 MM	
	72344274	4	COMPENSATING RING 1,15 MM	
	72344275	4	COMPENSATING RING 1,20 MM	
	72344276	4	COMPENSATING RING 1,25	
	72344277	4	COMPENSATING RING 1,30 MM	
	72344278	4	COMPENSATING RING 1,35	

Item	Part Number	Qty	Description Comments	Technical Specification
	72344279	4	COMPENSATING RING 1,40 MM	
	72344280	4	COMPENSATING RING 1,45 MM	
	72344281	4	COMPENSATING RING 1,50 MM	
	72344282	4	COMPENSATING RING 1,55 MM	
25	72324409	16	SOCKET HEAD BOLT	
26	72324345	16	MACHINE WASHER	
30	72324502	4	CYLINDER	
31	72323891	X	COMPENSATING RING 0,20 MM	
	72324067	X	COMPENSATING RING 0,50 MM	
	72324374	X	COMPENSATING RING 0,80 MM	
	72324201	X	COMPENSATING RING 1,00 MM	
34			SEE ELECTRICAL SYSTEM	
36	72315657	4	HEXAGONAL HEAD BOLT	DIN 933 M8 X 30-8.8A3L
	72325293	4	HEXAGONAL HEAD BOLT FOR DOMED CYLINDER HEAD COVER	M8X30
37	72311788	4	DISC	DIN 125-8,4-ST.A3L
38	72323693	4	SEALING WASHER	
	72488855	4	SEALING WASHER FOR DOMED CYLINDER HEAD COVER	
39	72324097	4	CYLINDER HEAD COVER FLAT <-- F149.200.210.240	
	72488845	4	CYLINDER HEAD COVER VAULTED ><36,38,40	
40	72485671	4	SEAL	
	72485671	4	SEAL FOR DOMED CYLINDER HEAD COVER	



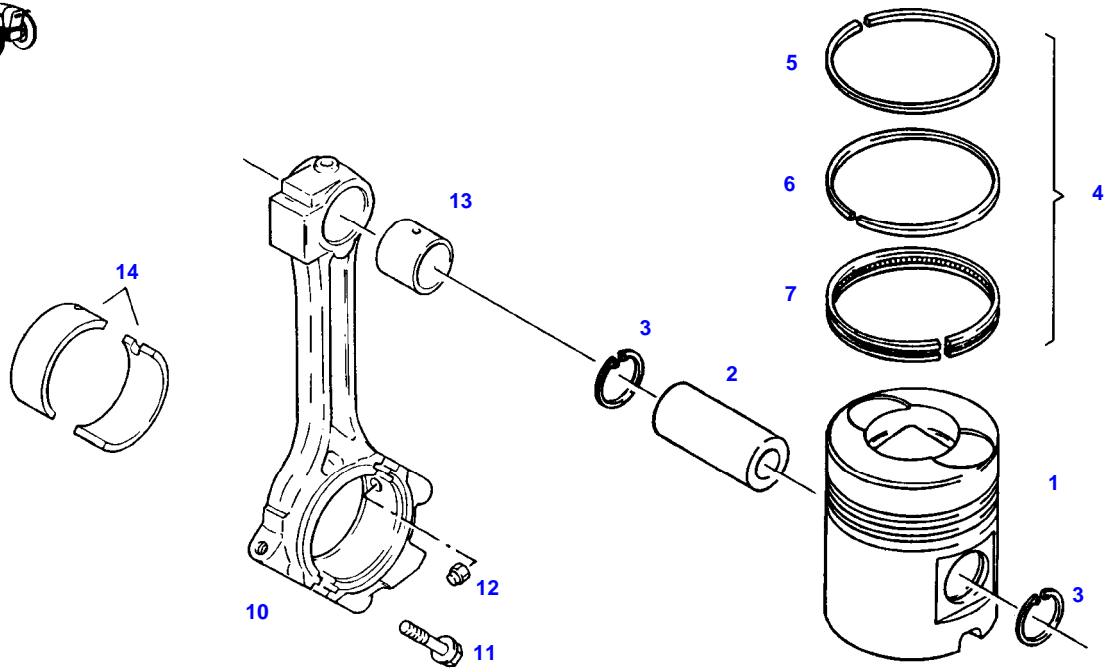
5459

Item	Part Number	Qty	Description Comments	Technical Specification
1	72324145	1	BEARING	
2	72323642	4	TENSIONER BUSHING	
3	72323685	4	DISC	
4	72374161	4	HEXAGONAL HEAD BOLT	DIN 931 M8X60 GWA-10.9
5	72324163	1	SHAFT	
6	72324162	1	SHAFT	
8	72313794	1	TENSIONING PIN	ISO8752-3X14-A-ST-ZNPHR10F-KOE
9	72324047	1	DISC	
10	72324134	1	BOLT	
11	72375115	1	TENSIONING PIN	ISO8752-3X8-A-ST-ZNPHR10F-KOEL
12	72323831	2	SHIM SPACER PLATE	
13	72324135	1	SHIM SPACER PLATE	
15	72324146	1	BEARING	
17	72420824	1	INTERMEDIATE GEAR	
18	72324133	1	PINION	
19	72313301	1	NUT	DIN 936 M18X1,5-17H-A3L
20	72431557	1	DISC	
21	72315658	1	HEXAGONAL HEAD BOLT	DIN 933 M8X35-10.9



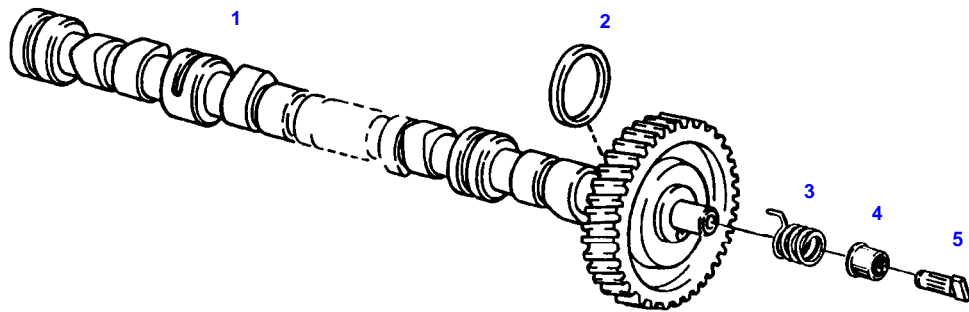
5456

Item	Part Number	Qty	Description Comments	Technical Specification
1	72374802	10	HEXAGONAL HEAD BOLT	DIN 961 M10X1X35-10.9A4C
2	72361195	1	FLYWHEEL ><3 --> 365/2389 <-- 365/90001 --> 365/90018	
	72358475	1	FLYWHEEL ><3 <-- 365/2390 --> 365/90000	
3	72323784	1	RING GEAR	
5	72324372	1	CRANKSHAFT ><6-13 <-- F207.200.310.050	
6	72324032	4	COUNTER-BALANCE WEIGHT	
7	72375160	1	TENSIONING PIN	ISO8752-8X18-A-ST
8	72323684	8	DISC	
9	72315513	8	SOCKET HEAD BOLT	DIN 912 M12X60-10.9
10	72323592	4	PLUG	
11	72323572	4	DISC	
12	72324150	1	GEAR WHEEL	
13	72372685	1	DOWEL PIN	
18	72324426	1	V BELT SHEAVE	
19	72323687	1	DISC	
20	72323571	1	WAISTED SHANK BOLT	



5457

Item	Part Number	Qty	Description Comments	Technical Specification
1	72324460	4	PISTON ><2-7	
2			NOT AVAILABLE IN SINGLE PARTS	
3	72311094	8	LOCK WASHER	DIN 472-35X1,5
4	72324474	4	PISTON RING KIT CHAMFER PIST. RING 2,50MM U/MKME-CHAMF. RING 5,00MM ><5-7	
	72333445	4	PISTON RING KIT CHAMFER PIST. RING 2,00MM U/MKME-CHAMF. RING 3,50MM	
5	72333446	4	KEYSTONE RING	
6	72323634	4	TAPERED COMPRESSION RING	
7			NOT AVAILABLE IN SINGLE PARTS	
10	72324376	4	PISTON ROD ><11-14	
11	72324117	8	HEXAGONAL HEAD BOLT	
12	72324342	4	PIN	
13	72324343	4	PISTON BUSH	
14	72415974	4	CONNECTING ROD BEARING 60,00 MM	
	72415977	4	CONNECTING ROD BEARING 59,75 MM	
	72415978	4	CONNECTING ROD BEARING 59,50 MM	
	72323927	4	CONNECTING ROD BEARING FOR STEEL CRANKSHAFT 59,25 MM	



7238

Fendt

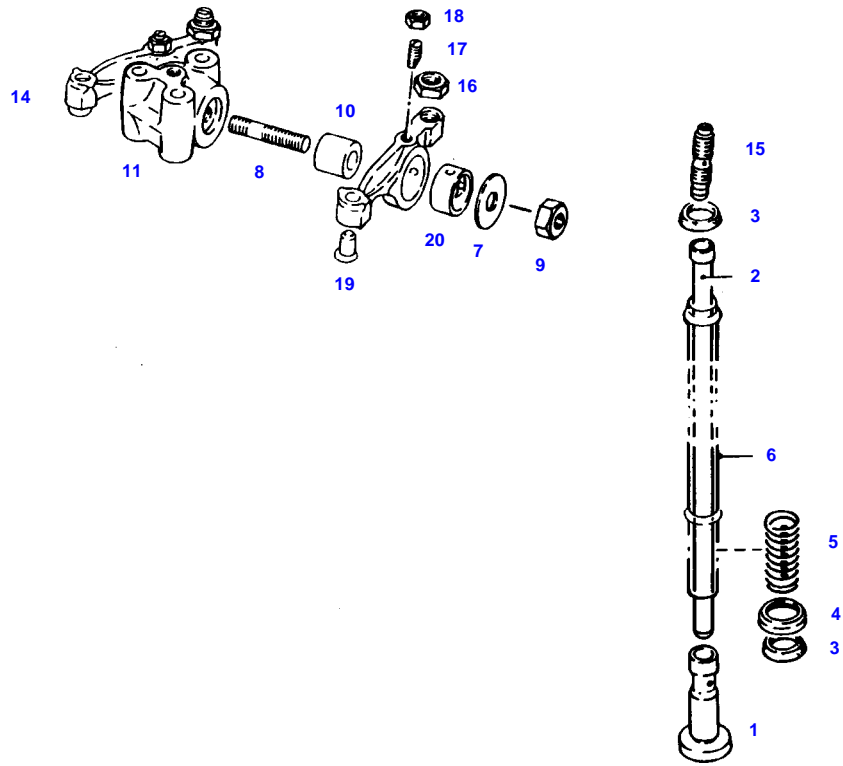
GT 365GT (365/00001-99999)

F365000

CAMSHAFT

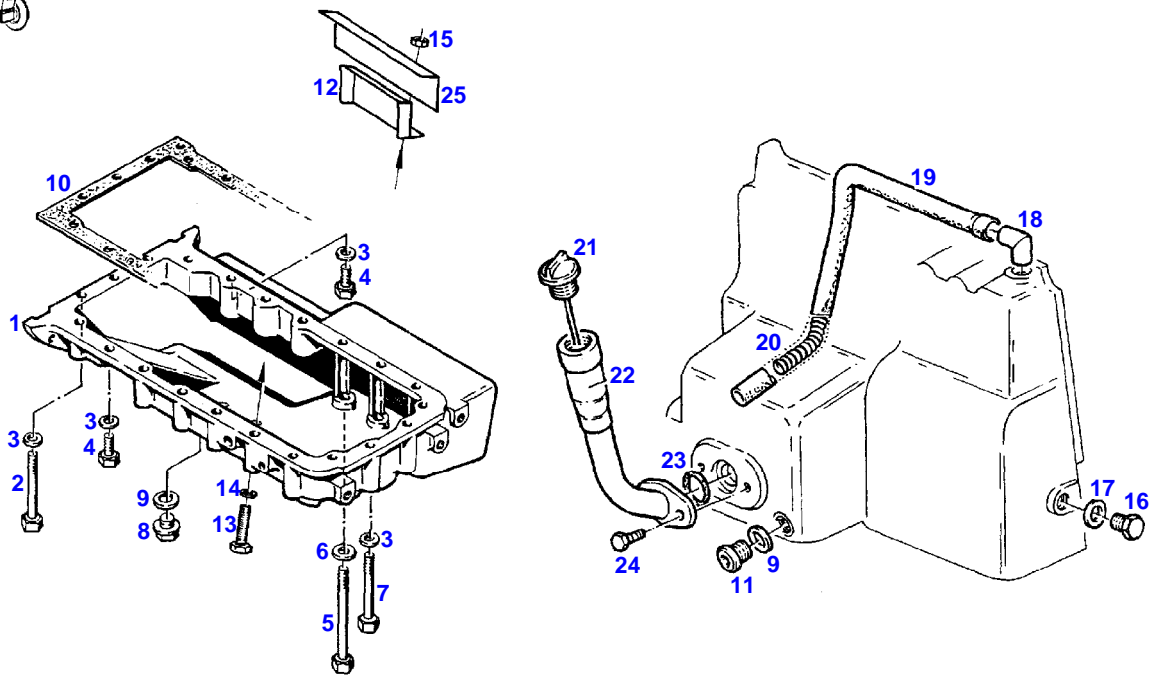
Page01-0024

Item	Part Number	Qty	Description Comments
1	72416052	1	CAMSHAFT
2	72324337	1	DISC
3	72324159	1	COMPRESSION SPRING
4	72323827	1	START-UP CAP
5			SEE ELECTRICAL SYSTEM TRANSMITTER



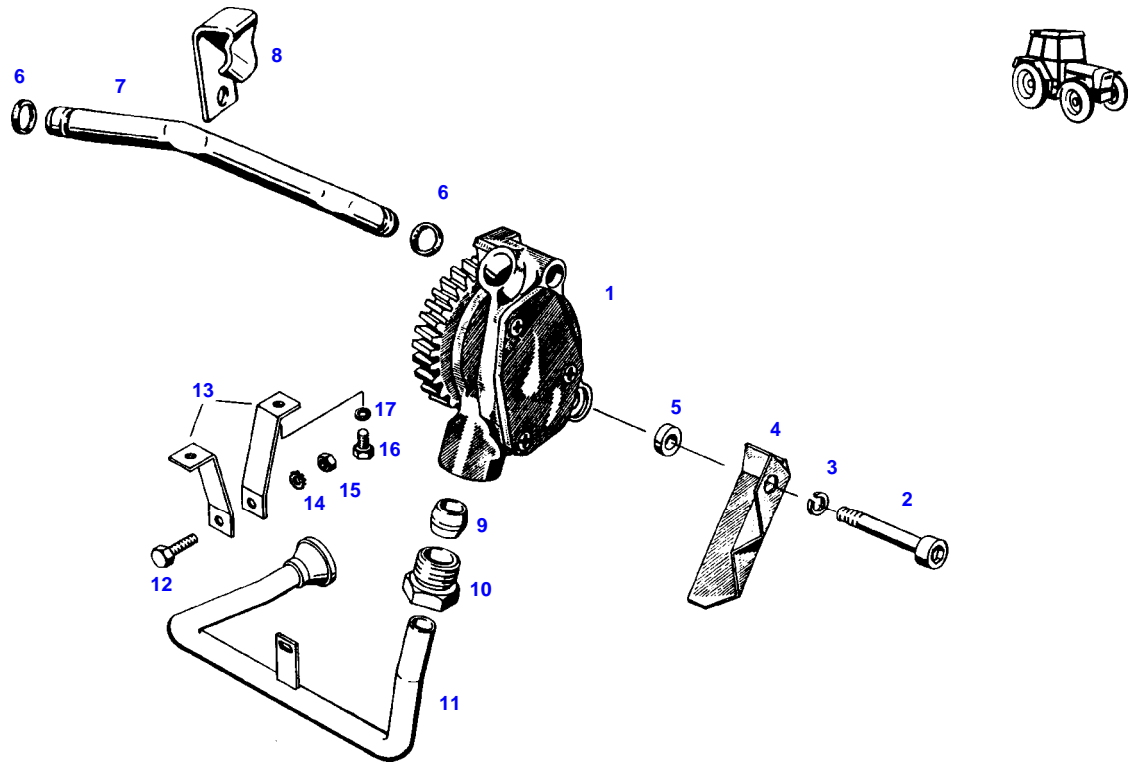
5463

Item	Part Number	Qty	Description Comments	Technical Specification
1	72324362	8	VALVE TAPPET	
2	72324428	8	BUMPER	
3	72324064	16	SEALING WASHER	
4	72324363	8	CAP	
5	72324360	8	COIL SPRING	
6	72324364	8	SHIELD PIPE	
7	72323681	8	DISC	
8	72313777	8	STUD BOLT	DIN 939 M10X35-8.8
9	72313272	8	NUT	DIN 934 M10-8A3L
10	72324161	8	BUSH	
11	72324359	4	ROCKER ARM SUPPORT	
14	72324142	8	ROCKER ARM ><15-20	
15	72324333	8	ADJUSTING SCREW	
16	72372876	8	NUT	DIN 936 M10X1-17H
17	72324355	8	OIL NOZZLE	
18	72313266	6	NUT	DIN 934 M6-8A3L
19	72324137	6	CLEVIS PIN	
20	72324160	6	BUSH	



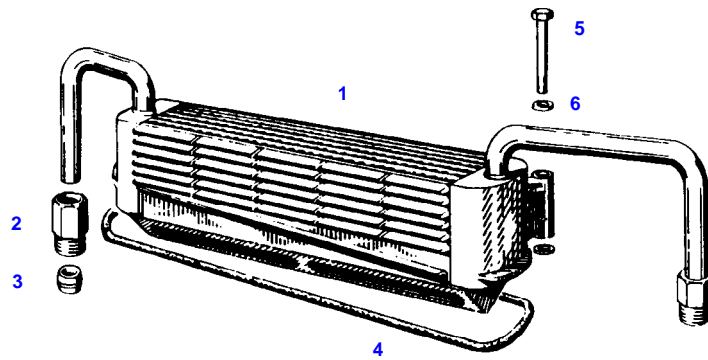
11823

Item	Part Number	Qty	Description Comments	Technical Specification
1	72427157	1	OIL PAN ><12-15,25	
2	72374149	3	HEXAGONAL HEAD BOLT	DIN 931 M8X110-8.8
3	72311788	18	DISC	DIN 125-8,4-ST.A3L
4	72315653	7	HEXAGONAL HEAD BOLT	DIN 933 M8 X 25-8.8A3L
5	72315528	3	HEXAGONAL HEAD BOLT	DIN 931 M8X130-8.8
6	72315087	3	SEALING WASHER	DIN 7603 A8X14-CU
7	72315525	8	HEXAGONAL HEAD BOLT	DIN 931 M8 X 90-8.8A3L
8	72373976	1	SCREW	DIN 910 M22X1,5-ST
9	72315101	2	SEALING WASHER	DIN 7603 A22X27-CU
10	72324310	1	SEAL	
11	72315442	1	PLUG	DIN 908 M22X1,5-ST
12	72407981	1	BAFFLE PLATE	
13	72315657	2	HEXAGONAL HEAD BOLT	DIN 933 M8 X 30-8.8A3L
	72315087	2	SEALING WASHER NOT ILLUSTRATED	DIN 7603 A8X14-CU
	72313267	2	NUT NOT ILLUSTRATED	DIN 934 M8-10
14	72315086	2	SEALING WASHER	DIN 7603 A8X11,5-CU
15	72313268	2	NUT	DIN 934 M8-8A3L
16	72315438	1	PLUG SCREW	DIN 908 M14X1,5-ST
17	72315094	1	SEALING WASHER	DIN 7603 A14X18-CU
18	72363802	1	PIPE BEND	
19	72436284	1	HOSE 1X 900MM CUT TO LENGTH	L=1120 FWN65912-19X3-PVC-W-G
20	72407980	1	COMPRESSION SPRING	
	72316510	2	COMPRESSION SPRING	
	72316913	2	CABLE STRAP B360X7,5 NOT ILLUSTRATED	FWN 66650 B360X7,5-SW
21	72408671	1	DIPSTICK	
22	72363801	1	OIL FILLER NECK	
23	72376547	1	O-RING	44,2X3-FPM 70 FWN56402
24	72315679	2	HEXAGONAL HEAD BOLT	DIN 933 M10X20-8.8A3L
25	72425410	1	BAFFLE PLATE	



7239

Item	Part Number	Qty	Description Comments	Technical Specification
1	72324498	1	LUBRICATING OIL PUMP --> 7 255 420 ENG.NO.	
	72324483	1	LUBRICATING OIL PUMP <-- 7 255 421 ENG.NO.	
2	72374027	2	SOCKET HEAD BOLT	DIN 912 M8X60-10.9
3	72315063	2	SPLIT WASHER --> 7 255 420 ENG.NO.	FWN65237-8-A3L
	72317121	2	SPRING WASHER <-- 7 255 421 ENG.NO.	DIN 137 B8-MECH.VZK
4	72324195	1	SCREENING PLATE	
5	72431557	2	DISC	
6	72323644	2	O-RING	
7	72324228	1	BOOST PIPE	
8	72324088	1	CLIP PIN ENG.NO. --> 7 253 058 <> <>	
	72324090	1	SOCKET HEAD BOLT	
	72324457	1	DISC	
9	72323663	1	DOUBLE CONICAL RING --> 7 255 420 ENG.NO.	
	72323700	1	DOUBLE CONICAL RING <-- 7 255 421 ENG.NO.	
10	72323662	1	UNION SCREW --> 7 255 420 ENG.NO.	
	72323697	1	UNION SCREW <-- 7 255 421 ENG.NO.	
11	72324398	1	SUCTION PIPE --> 7 255 420 ENG.NO.	
	72324453	1	SUCTION PIPE <-- 7 255 421 ENG.NO.	
12	72315626	1	HEXAGONAL HEAD BOLT	DIN 933-M6 X 16-8.8-A3L
13	72324234	2	RETAINER	
14	72317127	1	SERRATED LOCK WASHER	DIN 6798 A6,4-A3L
15	72313266	1	NUT	DIN 934 M6-8A3L
16	72315645	2	HEXAGONAL HEAD BOLT	DIN 933 M8 X 12-8.8A3L
17	72315053	2	SPLIT WASHER	FWN 65208-8-A3L



7240

Fendt

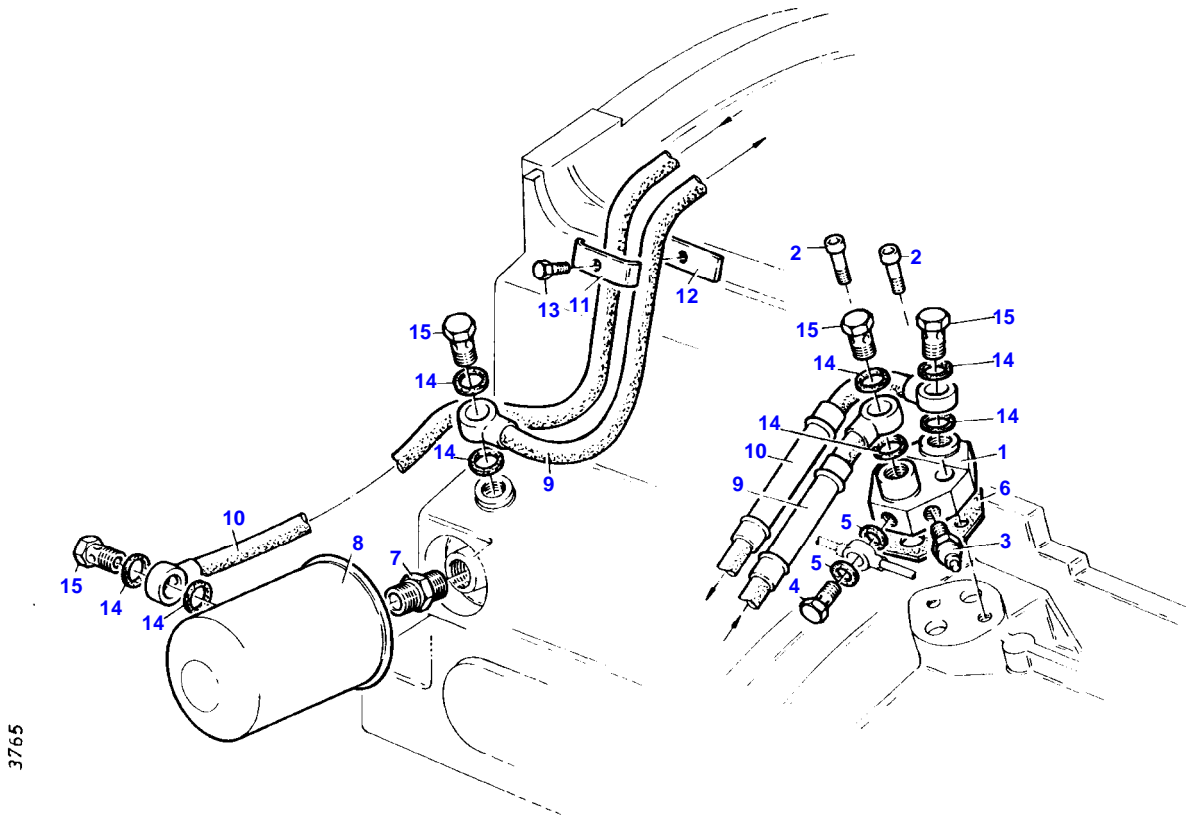
GT 365GT (365/00001-99999)

F365000

LUBRIC. OIL COOLER

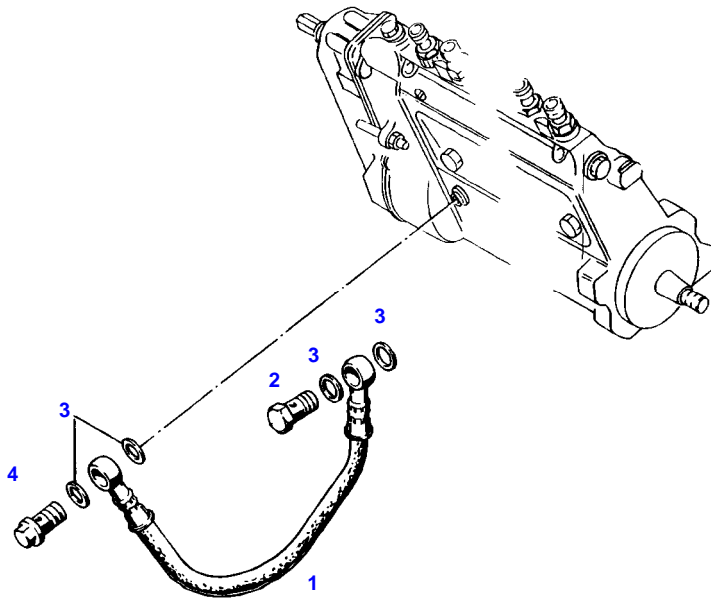
Page01-0028

Item	Part Number	Qty	Description Comments	Technical Specification
1	72617541	1	LUBRICATION OIL COOLER	
2	72344380	2	CONNECTING NUT	
3	72323699	2	DOUBLE CONICAL RING	
4	72323737	1	SEALING WASHER	
5	72315539	2	HEXAGONAL HEAD BOLT	DIN 931 M8X80-8.8 A3L
6	72323665	4	DISC	



3765

Item	Part Number	Qty	Description Comments	Technical Specification
1	72403275	1	ADAPTER	
2	72315496	2	SOCKET HEAD BOLT	DIN 912 M10X35-8.8
3	72380896	1	OIL PRESSURE SENSOR	
4	72315807	1	BANJO BOLT	DIN 7643-8-3-A3L
5	72315087	2	SEALING WASHER	DIN 7603 A8X14-CU
6	72324454	1	SEAL	
7	72324068	1	DOUBLE NIPPLE	
8	72339038	1	OIL FILTER	
9	72324404	1	OIL LINE	
10	72324403	1	OIL LINE	
11	72324405	1	CLIP	
12	72324406	1	PLATE	
13	72315635	1	HEXAGONAL HEAD BOLT	DIN 933 M6X35-8.8A3L
14	72315104	8	SEALING WASHER	DIN 7603 A26X31-CU
15	72315811	4	BANJO BOLT	DIN 7643-22-3-A3L



5473

Fendt

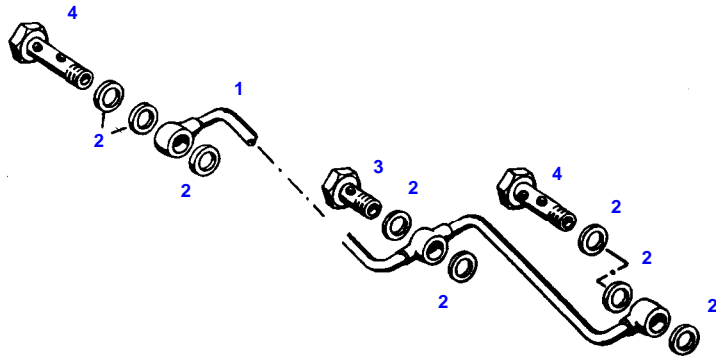
GT 365GT (365/00001-99999)

F365000

SUPPLY LINES

Page01-0030

Item	Part Number	Qty	Description Comments	Technical Specification
1	72323638	1	HOSE LINE	
2	72323516	1	BANJO BOLT	
3	72315088	4	SEALING WASHER	DIN 7603 A10X13,5-CU
4	72324022	1	BANJO BOLT	



5474

Fendt

GT 365GT (365/00001-99999)

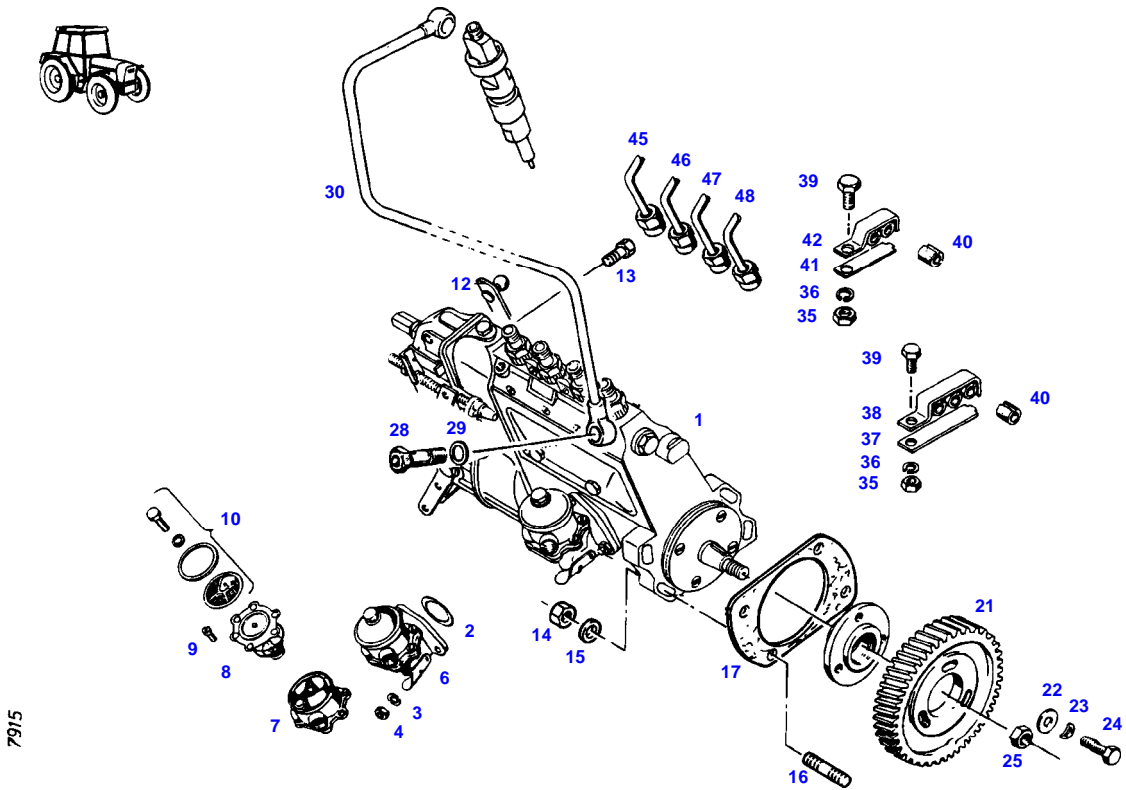
F365000

LEAK OIL LINE

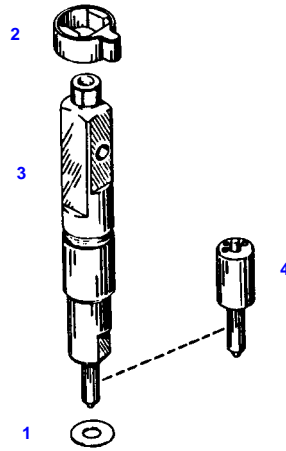
Page01-0031

Item	Part Number	Qty	Description Comments	Technical Specification
1	72323915	1	LEAKAGE OIL LINE	
2	72315086	10	SEALING WASHER	DIN 7603 A8X11,5-CU
3	72344394	2	BANJO BOLT	
4	72344393	2	BANJO BOLT	

GT 365GT (365/00001-99999)
7915



Item	Part Number	Qty	Description Comments	Technical Specification
1	72324271	1	INJECTION PUMP ><2-10	
2	72323645	1	SEAL IMSA	
	72328694	1	MOLDED SEAL PIERBURG	
			NOT AVAILABLE IN SINGLE PARTS BD - TORINO	
3	72315052	3	SPLIT WASHER	FWN 65208-6-A3L
4	72313266	3	NUT	DIN 934 M6-8A3L
6	72328691	1	FUEL PUMP PIERBURG ><7-10 <-- F150.204.710.013 1X	
	72451618	1	FUEL PUMP BD - TORINO ><2	
7			NO SPARE PART	
8	72323712	1	REPAIR KIT ><9-10	
9	72373594	6	SOCKET HEAD BOLT	DIN 84 M4X12-4.8-A3L
10			NO LONGER AVAILABLE REPAIR KIT PIERBURG	
	72437162	1	REPAIR KIT BD - TORINO ><2	
	72324495	1	REPAIR KIT <-- 7 619 175 ENG.NO.	
12			SEE SPEED CONTROL	
13	72315629	1	HEXAGONAL HEAD BOLT	DIN 933 M6 X 12-8.8A3L
14	72372811	4	NUT	DIN 934 M10-10A3L
15	72311789	4	DISC	DIN 125-10,5-ST.A3L
16	72374646	4	STUD BOLT	DIN 939 M10X30-8.8
17	72324486	1	SEAL	
	72324063	1	HUB	
21	72323957	1	GEAR WHEEL	
22	72323792	3	DISC	
23	72317121	3	SPRING WASHER	DIN 137 B8-MECH.VZK
24	72374801	3	HEXAGONAL HEAD BOLT	DIN 961 M8X1X25-8.8A3L
25	72313277	1	NUT	DIN 934-M12-10-A3L
28	72324065	1	VALVE	
29	72315095	3	SEALING WASHER	DIN 7603 A14X20-CU
30	72324493	1	SPILL LINE	
35	72313266	3	NUT	DIN 934 M6-8A3L
36	72315052	3	SPLIT WASHER	FWN 65208-6-A3L
37	72323591	1	END PLATE	
38	72323590	1	PIPE CLAMP	
39	72315629	3	HEXAGONAL HEAD BOLT	DIN 933 M6 X 12-8.8A3L
40	72324367	7	THIMBLE	
41	72323593	2	END PLATE	
42	72323537	2	PIPE CLAMP	
45	72324449	1	INJECTION LINE CYLINDER 1	
46	72324450	1	INJECTION LINE CYLINDER 2	
47	72324451	1	INJECTION LINE CYLINDER 3	
48	72324452	1	INJECTION LINE CYLINDER 4	



5477

Item	Part Number	Qty	Description Comments
1	72344305	4	SEALING WASHER
2	72323916	4	BUSH ENG.NO. --> 7 969 828
	72344395	4	BUSH ENG.NO. <-- 7 969 829
3	72324074	4	INJECTOR ENG.NO. ><4 --> 7 969 828
	72344396	4	NOZZLE HOLDER ENG.NO. ><4 <-- 7 969 829
	72343233	4	NOZZLE HOLDER DLLA150P345
4	72324429	4	INJECTION NOZZLE ENG.NO. --> 7 969 828
	72344397	4	INJECTION NOZZLE ENG.NO. DLLA150P145 <-- 7 969 829
	72343234	4	INJECTION NOZZLE DLLA150P345

Thank you so much for reading.
Please click the “Buy Now!”
button below to download the
complete manual.



After you pay.

You can download the most
perfect and complete manual in
the world immediately.

Our support email:

ebooklibonline@outlook.com