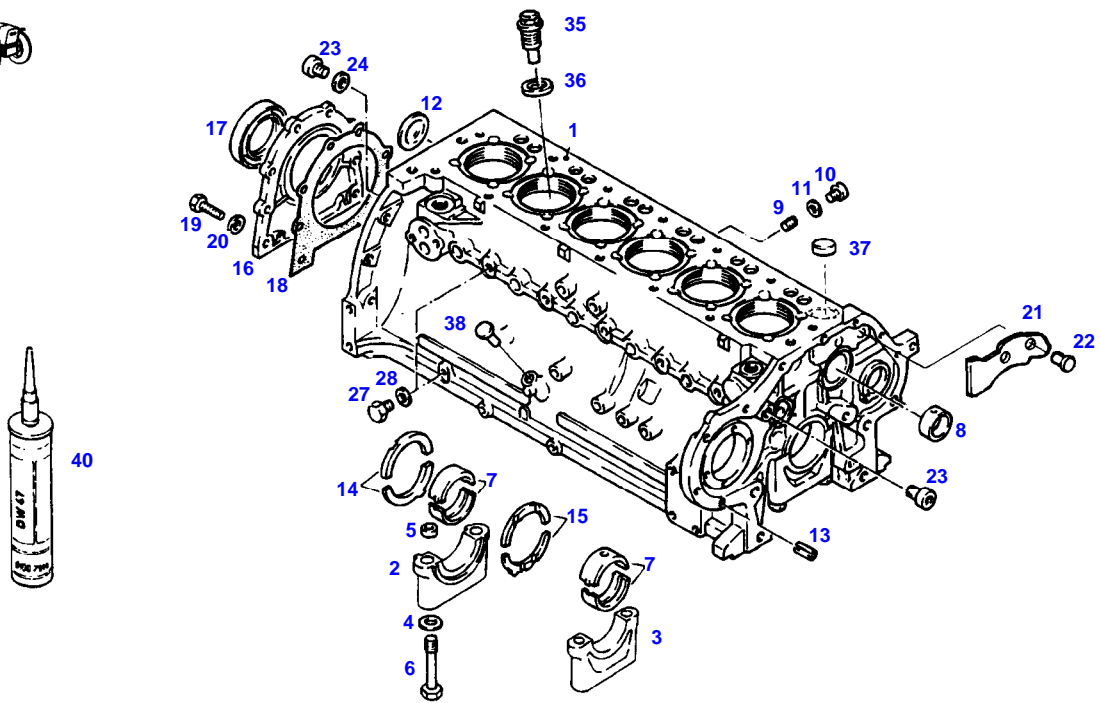


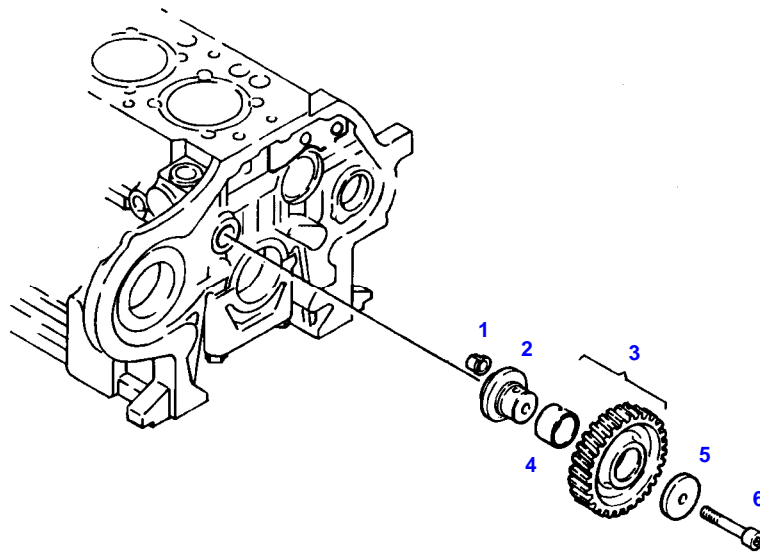
Page Number	Page Title	Page Reference
01-000-TOC	ENGINE, FUEL AND EXHAUST SYSTEM	01-000-TOC
02-000-TOC	AXLES	02-000-TOC
03-000-TOC	STEERING SYSTEM	03-000-TOC
04-000-TOC	DRIVE TRAIN SYSTEM	04-000-TOC
05-000-TOC	COMPRESSED AIR SYSTEM	05-000-TOC
06-000-TOC	HYDRAULIC SYSTEM	06-000-TOC
07-000-TOC	ELECTRICAL SYSTEM	07-000-TOC
08-000-TOC	CAB	08-000-TOC
09-000-TOC	AIR CONDITIONING AND HEATING SYSTEM	09-000-TOC
10-000-TOC	CHASSIS	10-000-TOC
11-000-TOC	WHEELS	11-000-TOC
12-000-TOC	IMPLEMENT LIFT SYSTEM FRONT	12-000-TOC
13-000-TOC	IMPLEMENT LIFT SYSTEM REAR	13-000-TOC
14-000-TOC	FRONT/REAR LOADERS	14-000-TOC
15-000-TOC	ACCESSORIES	15-000-TOC

GT 390GT (390/00101-99999)
6779



6779

Item	Part Number	Qty	Description Comments	Technical Specification
	72319072	1	DIESEL ENGINE	
1	72344269	1	CRANKCASE UPPER HALF ><2-6+9-13	
	72344356	1	SEAL KIT	
2			NO SPARE PART	
3			NO SPARE PART	
4	72323682	14	DISC	
5	72344342	14	ADAPTER BUSH	
6	72344343	14	HEXAGONAL HEAD BOLT	
7	72324293	7	CRANKSHAFT BEARING 70,00 MM	
	72415975	7	CRANKSHAFT BEARING 69,75 MM	
	72415976	7	CRANKSHAFT BEARING 69,50 MM	
8	72344344	1	BUSH	
9	72323675	7	SLOTTED PLUG	
10	72427167	6	SCREW	DIN 908 M12 X 1,5-ST-A3
11	72315090	7	SEALING WASHER	DIN 7603 A12X15,5-CU
12	72323690	1	LOCKING DISC	
13	72323573	2	TENSIONER BUSHING	
14	72425118	1	THRUST RING 2,94 MM	
	72323990	1	THRUST RING FOR STEEL CRANKSHAFT 3,25 MM	
	72323991	1	THRUST RING FOR STEEL CRANKSHAFT 3,50 MM	
	72496405	1	THRUST RING FOR CAST STEEL CRANKSHAFT 3,14 MM	3,14MM
15	72323983	1	THRUST RING 3,00 MM	
	72323984	1	THRUST RING FOR STEEL CRANKSHAFT 3,25 MM	
	72323985	1	THRUST RING FOR STEEL CRANKSHAFT 3,50 MM	
	72425121	1	THRUST RING FOR CAST STEEL CRANKSHAFT 3,14 MM	
16	72324099	1	COVER	
17	72425119	1	SHAFT SEAL	
18	72324291	1	SEAL	
19	72315650	8	HEXAGONAL HEAD BOLT	DIN 933 M8 X 20-8.8A3L
20	72311788	8	DISC	DIN 125-8,4-ST.A3L
21	72344345	1	BAFFLE	
22	72372707	2	SLOTTED PIN	DIN 1476-6X10-ST
23	72323672	2	SCREW	
24	72376031	2	SEALING WASHER	DIN 7603 A20X24-CU
27	72374942	4	PLUG	DIN 7604 CM10X1-ST
28	72315088	4	SEALING WASHER	DIN 7603 A10X13,5-CU
35	72420361	6	SPRAY NOZZLE	
36	72315053	6	SPLIT WASHER	FWN 65208-8-A3L
37	72323653	1	CORE HOLE PLUG	
38	72324312	1	BOLT	
40	72311273	1	SEALING COMPOUND	TEROST-63S



5444

Fendt

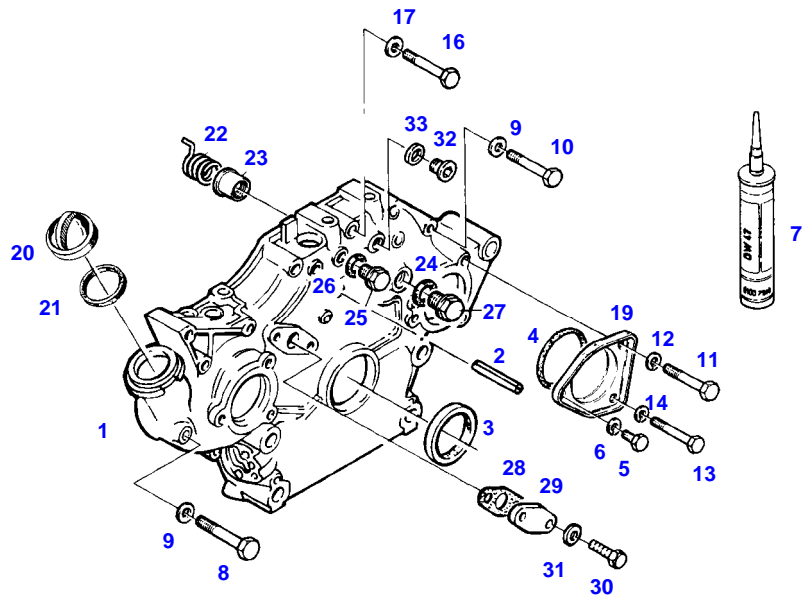
GT 390GT (390/00101-99999)

F390000

INTERM. GEAR WHEEL

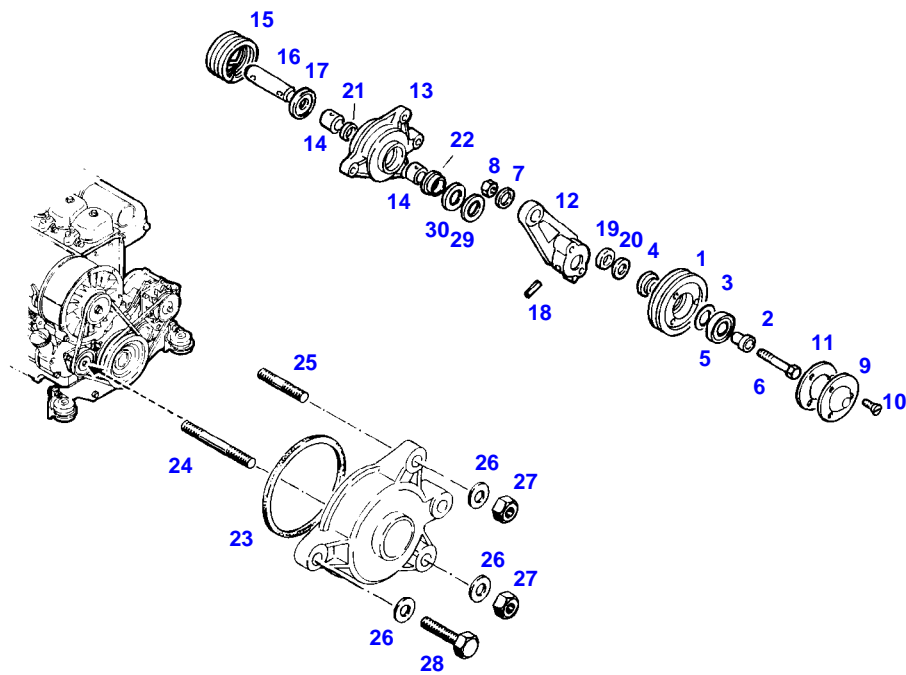
Page01-0015

Item	Part Number	Qty	Description Comments
1	72344346	1	TENSIONER BUSHING
2	72344347	1	PIVOT
3	72324456	1	GEAR WHEEL ><4
4	72324455	1	BUSH
5	72324457	1	DISC
6	72324090	1	SOCKET HEAD BOLT



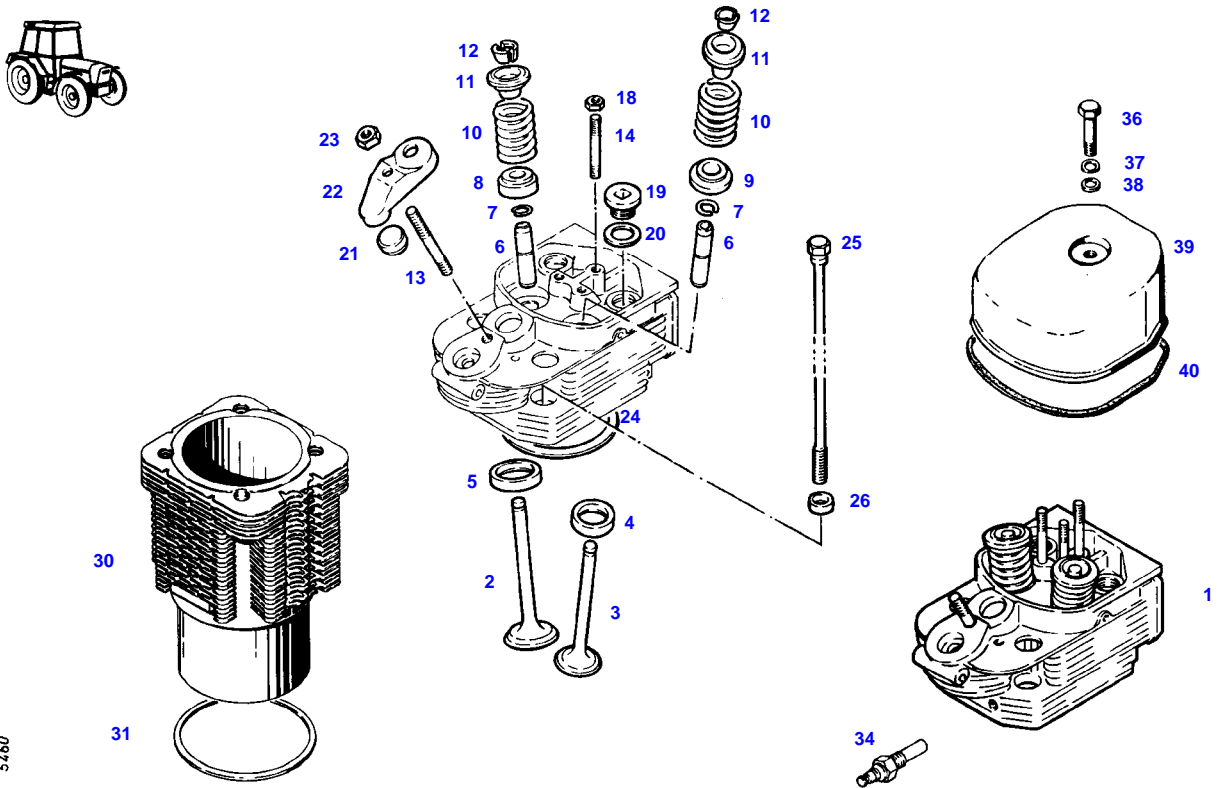
6606

Item	Part Number	Qty	Description Comments	Technical Specification
1	72344348	1	COVER	
2	72375153	1	TENSIONING PIN	ISO8752-6X45-A-ST-ZNPHR10F-KOE
3	72317651	1	SHAFT SEAL	
4	72323566	1	PERMANENT REINFORCEMENT	
5	72374417	1	HEXAGONAL HEAD BOLT	DIN 933 M8X8-8.8
6	72315053	1	SPLIT WASHER	FWN 65208-8-A3L
7	72311273	1	SEALING COMPOUND	TEROST-63S
8	72374161	1	HEXAGONAL HEAD BOLT	DIN 931 M8X60 GWA-10.9
	72374145	1	HEXAGONAL HEAD BOLT	DIN 931 M8X90 GWA-10.9
9	72311788	3	DISC	DIN 125-8,4-ST.A3L
10	72315534	2	HEXAGONAL HEAD BOLT	DIN 931 M8 X 70-8.8
11	72374183	1	HEXAGONAL HEAD BOLT	DIN 931 M10X75-8.8
12	72315054	1	SPLIT WASHER	FWN 65208-10-A3L
13	72315537	1	HEXAGONAL HEAD BOLT	DIN 931 M8X85-8.8A3L
14	72315053	1	SPLIT WASHER	FWN 65208-8-A3L
	72374145	1	HEXAGONAL HEAD BOLT	DIN 931 M8X90 GWA-10.9
16	72315534	2	HEXAGONAL HEAD BOLT	DIN 931 M8 X 70-8.8
17	72311788	2	DISC	DIN 125-8,4-ST.A3L
19	72324418	1	COVER	
20	72323709	1	COVER ><21	
21	72323708	1	SEALING WASHER	
22	72324159	1	COMPRESSION SPRING	
23	72323827	1	START-UP CAP	
24	72376036	1	SEALING WASHER	DIN7603 A24X30-ALU
25	72373970	1	PLUG	DIN 910 M10X1-ST PH
26	72315089	1	SEALING WASHER	DIN 7603 A10X16-CU
27	72323829	1	SCREW	
28	72344349	1	OVAL GASKET	
29	72344350	1	OVAL FLANGE	
30	72315642	2	HEXAGONAL HEAD BOLT	DIN 933 M8 X 16-8.8A3L
31	72311788	2	DISC	DIN 125-8,4-ST.A3L
32	72315440	1	PLUG SCREW	DIN 908 M18 X 1,5-ST
33	72376029	1	SEALING WASHER	DIN 7603 A18X24-AL



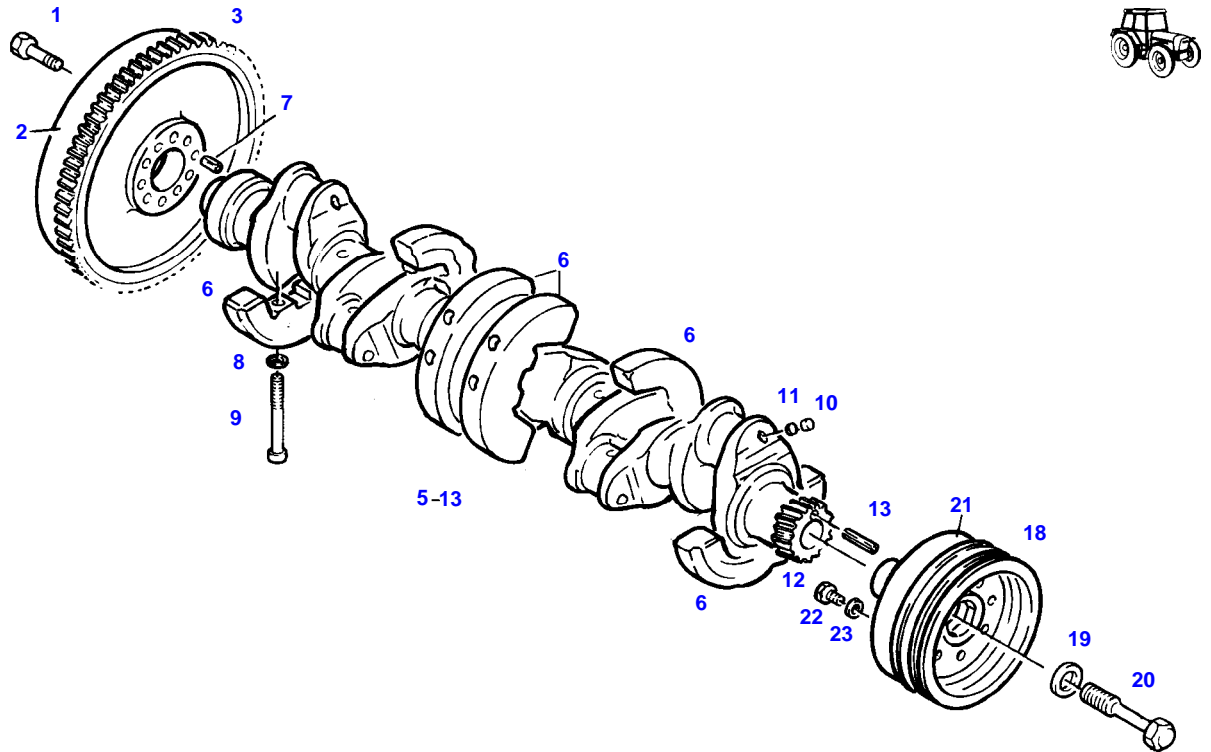
6608

Item	Part Number	Qty	Description Comments	Technical Specification
1	72344351	1	TENSIONING ROLLER ><1-22	
	72323802	1	V BELT SHEAVE	
2	72323801	1	FLANGE BUSHING	
3	72323848	1	DISC	
4	72323847	1	RING	
5	72323614	1	BALL BEARING	
6	72374158	1	HEXAGONAL HEAD BOLT	DIN 931 M8X45-8.8
7	72311788	1	DISC	DIN 125-8,4-ST.A3L
8	72313268	1	NUT	DIN 934 M8-8A3L
9	72324165	1	COVER	
10	72374838	3	COUNTERSUNK CAPSCREW	DIN 963 M6X16-4.8A3L
11	72323849	1	SEAL	
12	72344352	1	TENSIONER LEVER	
13	72324433	1	TENSIONER COVER	
14	72324169	2	BEARING BUSHING	
15	72324168	1	LEG SPRING	
16	72324174	1	SHAFT	
17	72324175	1	DISC	
18	72313829	1	TENSIONING PIN	ISO8752-8X32-A-ST
19	72323824	1	DISC 1,0 MM	
20	72324184	1	DISC 0,3 MM	
21	72324176	1	SPACER RING	
22	72324172	1	SHAFT SEAL	
23	72323566	1	PERMANENT REINFORCEMENT	
24	72373909	1	STUD BOLT	DIN 835 M8X45-5.8
25	72373902	1	STUD BOLT	DIN 835 M8X25-5.8
26	72323683	3	DISC	
27	72313268	2	NUT	DIN 934 M8-8A3L
28	72315657	1	HEXAGONAL HEAD BOLT	DIN 933 M8 X 30-8.8A3L
29	72344353	1	THRUST WASHER	
30	72344354	1	THRUST WASHER	



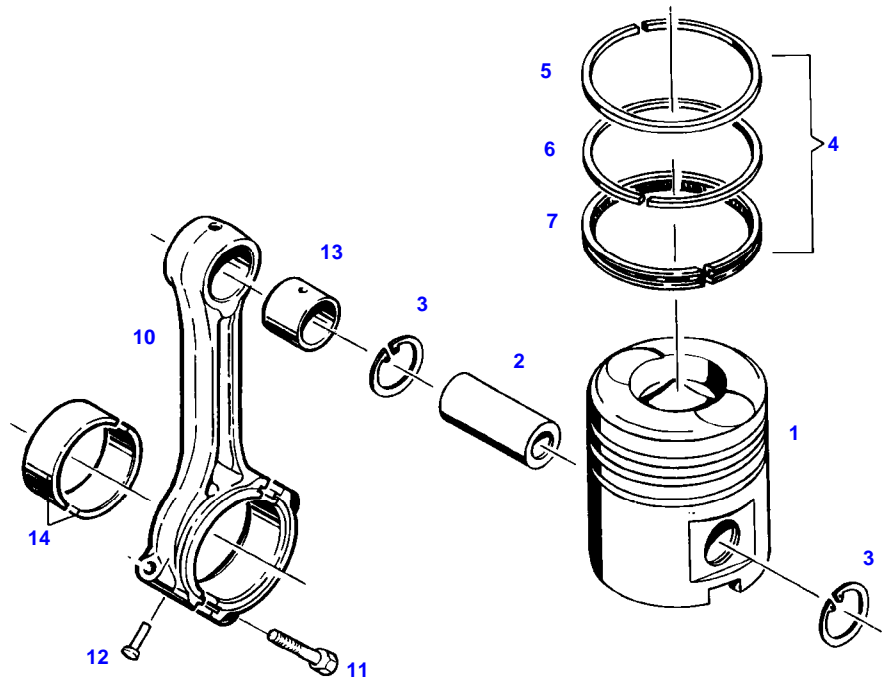
Item	Part Number	Qty	Description Comments	Technical Specification
1	72344272	6	CYLINDER HEAD ><1-14 <>24 <-- F206.200.210.030 <>	
	72427183	1	NIP DISC	
	72373929	1	STUD BOLT	DIN 835 M10X70-8.8
2	72324437	6	INTAKE VALVE <>	
	72333115	2	VALVE SPRING KEY	
	72323888	1	SPRING RETAINER	
3	72344273	6	OUTLET VALVE <-- F205.200.210.050 <>	
	72333115	2	VALVE SPRING KEY	
4	72323897	6	VALVE SEAT RING 40,16 MM	
	72323898	6	VALVE SEAT RING 40,26 MM	
	72323899	6	VALVE SEAT RING 40,36 MM	
5	72323894	6	VALVE SEAT RING 45,66 MM	
	72323895	6	VALVE SEAT RING 45,76 MM	
	72323896	6	VALVE SEAT RING 45,85 MM	
6	72324060	12	VALVE GUIDE 15,00 MM	
	72324070	12	VALVE GUIDE 15,25 MM	
	72324071	12	VALVE GUIDE 15,50 MM	
7	72323676	12	LOCKWASHER	
8	72323783	6	VALVE TURN. DEV.	
9	72323888	6	SPRING RETAINER	
10	72324338	12	COMPRESSION SPRING	
11	72324349	12	SPRING RETAINER	
12	72323582	24	TAPER PIECE HALF	
13	72373929	6	STUD BOLT	DIN 835 M10X70-8.8
14	72418370	18	STUD BOLT	DIN 835-M8 SN4X55-8.8
18	72313268	18	NUT	DIN 934 M8-8A3L
19	72373957	12	SCREW	DIN 908-M26X1,5-ST-A3L
20	72315104	12	SEALING WASHER	DIN 7603 A26X31-CU
21	72323919	6	DISC	
22	72323921	6	HOLDER	
23	72313272	6	NUT	DIN 934 M10-8A3L
24	72324496	6	COMPENSATING RING 1,10 MM	
	72344274	6	COMPENSATING RING 1,15 MM	
	72344275	6	COMPENSATING RING 1,20 MM	
	72344276	6	COMPENSATING RING 1,25 MM	
	72344277	6	COMPENSATING RING 1,30 MM	
	72344278	6	COMPENSATING RING 1,35 MM	
	72344279	6	COMPENSATING RING 1,40 MM	
	72344280	6	COMPENSATING RING 1,45 MM	
	72344281	6	COMPENSATING RING 1,50 MM	

Item	Part Number	Qty	Description Comments	Technical Specification
	72344282	6	COMPENSATING RING 1,55 MM	
25	72324409	24	SOCKET HEAD BOLT	
26	72324345	24	MACHINE WASHER	
30	72324477	6	CYLINDER 120,00 MM	
31	72323891	X	COMPENSATING RING 0,20 MM	
	72324067	X	COMPENSATING RING 0,50 MM	
	72324374	X	COMPENSATING RING 0,80 MM	
	72324201	X	COMPENSATING RING 1,00 MM	
34			SEE ELECTRICAL SYSTEM	
36	72315657	6	HEXAGONAL HEAD BOLT	DIN 933 M8 X 30-8.8A3L
	72325293	6	HEXAGONAL HEAD BOLT FOR DOMED CYLINDER HEAD COVER	M8X30
37	72311788	6	DISC	DIN 125-8,4-ST.A3L
38	72323693	6	SEALING WASHER	
	72488855	6	SEALING WASHER FOR DOMED CYLINDER HEAD COVER	
39	72324097	6	CYLINDER HEAD COVER FLAT <-- F149.200.210.240	
	72488845	6	CYLINDER HEAD COVER VAULTED >>36,38,40	
40	72485671	6	SEAL	
	72485671	6	SEAL FOR DOMED CYLINDER HEAD COVER	



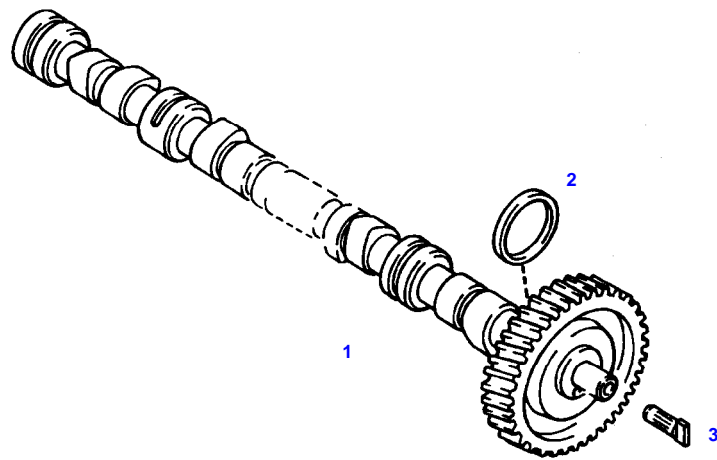
6609

Item	Part Number	Qty	Description Comments	Technical Specification
1	72374802	10	HEXAGONAL HEAD BOLT	DIN 961 M10X1X35-10.9A4C
2	72365122	1	FLYWHEEL ><2+3	
3	72323784	1	RING GEAR	
5	72344357	1	CRANKSHAFT ><5-13	
6			NOT AVAILABLE IN SINGLE PARTS	
7	72375160	1	TENSIONING PIN	ISO8752-8X18-A-ST
8	72323684	12	DISC	
9	72315513	12	SOCKET HEAD BOLT	DIN 912 M12X60-10.9
10	72323592	6	PLUG	
11	72323572	6	DISC	
12	72324150	1	GEAR WHEEL	
13	72372685	1	DOWEL PIN	
18	72344361	1	V BELT SHEAVE	
19	72323687	1	DISC	
20	72344359	1	WAISTED SHANK BOLT	
21	72423386	1	V BELT SHEAVE <-- F395.200.310.060	
22	72315642	8	HEXAGONAL HEAD BOLT	DIN 933 M8 X 16-8.8A3L
23	72311788	8	DISC	DIN 125-8,4-ST.A3L



0199
6610

Item	Part Number	Qty	Description Comments	Technical Specification
1	72344284	6	PISTON ><1-7 102 MM	
	72344285	6	PISTON ><1-7 102,5 MM	
2			NO SPARE PART	
3	72311094	12	LOCK WASHER	DIN 472-35X1,5
4	72344286	6	PISTON RING KIT ><5-7 102 MM	
	72344287	6	PISTON RING KIT ><5-7 102,5 MM	
5			NOT AVAILABLE IN SINGLE PARTS	
6			NOT AVAILABLE IN SINGLE PARTS	
7			NOT AVAILABLE IN SINGLE PARTS	
10	72344291	6	PISTON ROD	
11	72324117	12	HEXAGONAL HEAD BOLT	
12	72324342	6	PIN	
13	72324343	6	PISTON BUSH	
14	72415974	6	CONNECTING ROD BEARING 60,00 MM	
	72415977	6	CONNECTING ROD BEARING 59,75 MM	
	72415978	6	CONNECTING ROD BEARING 59,50 MM	
	72323927	6	CONNECTING ROD BEARING FOR STEEL CRANKSHAFT 59,25 MM	



5461

Fendt

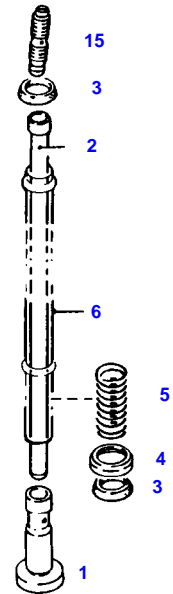
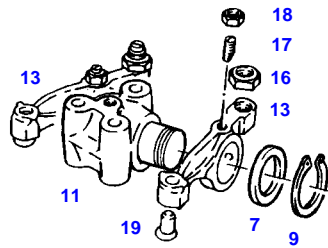
GT 390GT (390/00101-99999)

F390000

CAMSHAFT

Page01-0021

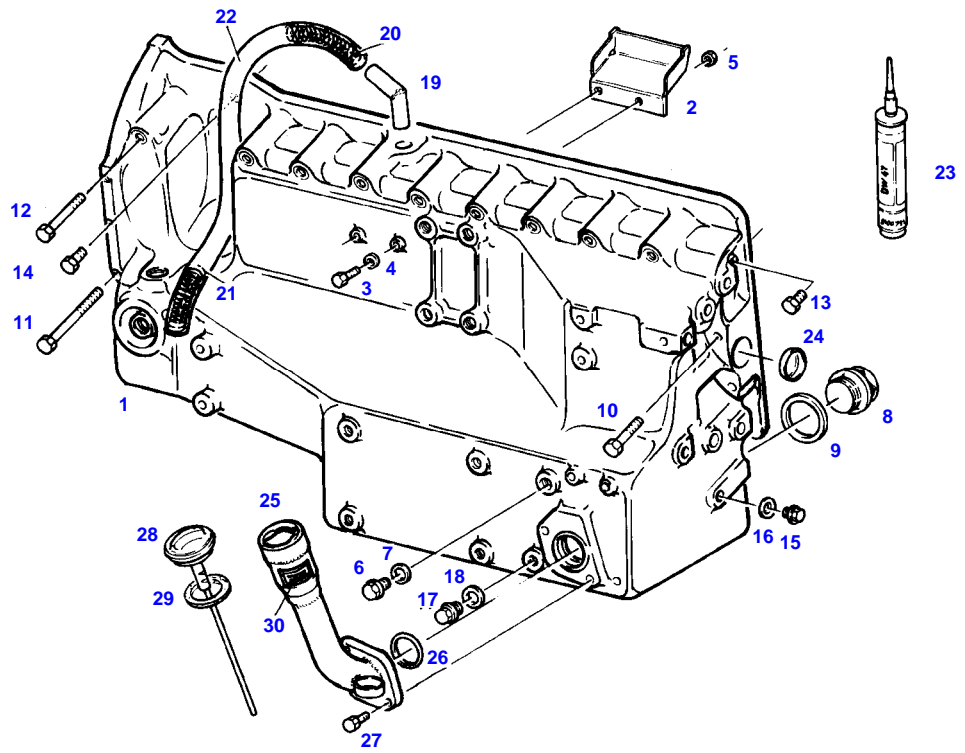
Item	Part Number	Qty	Description Comments
1	72344423	1	CAMSHAFT
2	72324337	1	DISC
3			NOT USED



6780

Item	Part Number	Qty	Description Comments	Technical Specification
1	72324362	12	VALVE TAPPET	
2	72324428	12	BUMPER	
3	72324064	24	SEALING WASHER	
4	72324363	12	CAP	
5	72324360	12	COIL SPRING	
6	72324364	12	SHIELD PIPE	
7	72344293	12	DISC	
9	72375564	12	LOCK WASHER	DIN 471-21X1,2
11	72415982	6	ROCKER ARM SUPPORT	
13	72344295	12	ROCKER ARM ><13-19 <-- F149.200.410.030	
15	72324333	12	ADJUSTING SCREW	
16	72372876	12	NUT	DIN 936 M10X1-17H
17	72324355	12	OIL NOZZLE	
18	72313266	12	NUT	DIN 934 M6-8A3L
19	72324137	12	CLEVIS PIN	

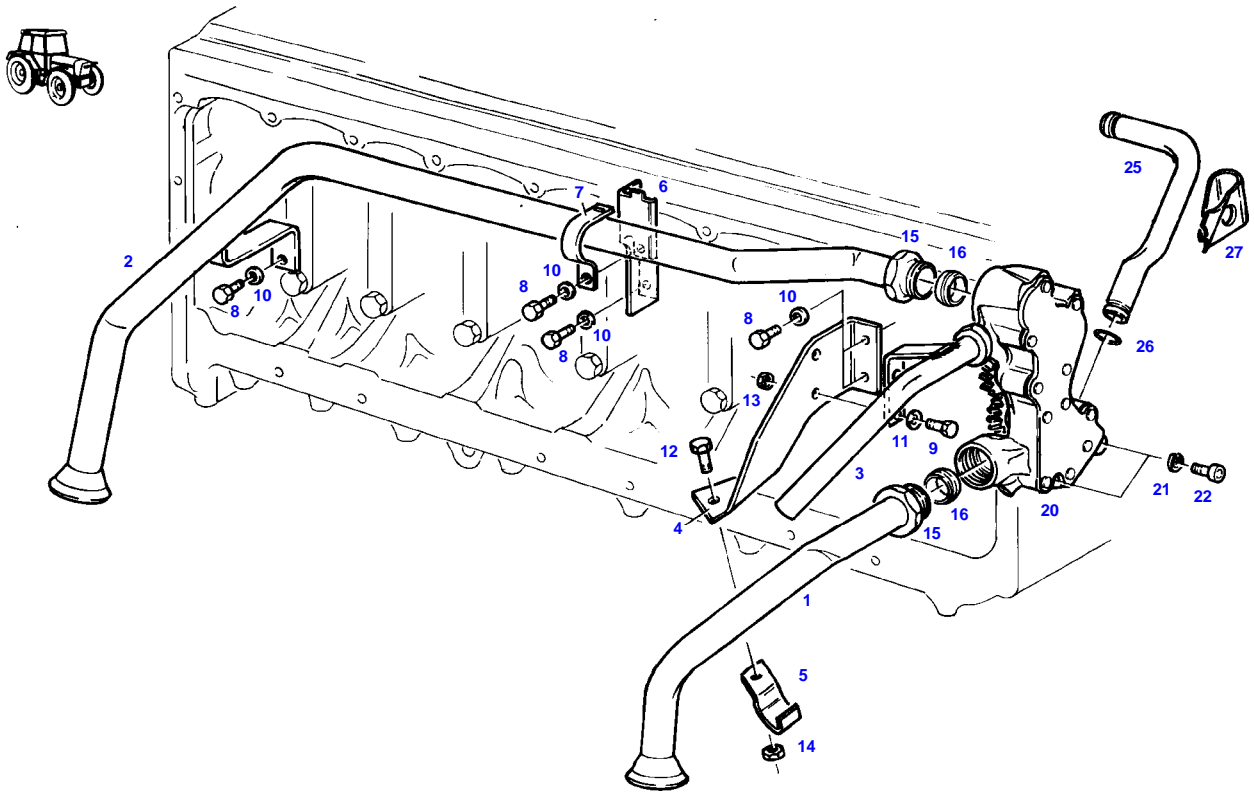
GT 390GT (390/00101-99999)
6611



6611

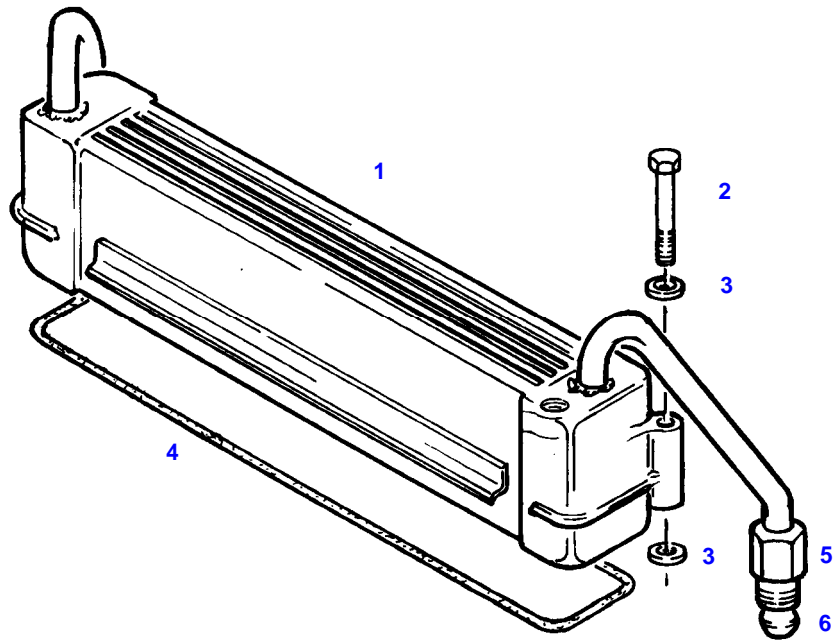
Item	Part Number	Qty	Description Comments	Technical Specification
1	72410223	1	OIL PAN <>	
	72315656	11	HEXAGONAL HEAD BOLT	DIN 933-M8X30-10.9
	72374146	9	HEXAGONAL HEAD BOLT	DIN 931-M8X95-10.9-A3L
2	72407981	1	BAFFLE PLATE	
3	72315657	2	HEXAGONAL HEAD BOLT	DIN 933 M8 X 30-8.8A3L
4	72315086	2	SEALING WASHER	DIN 7603 A8X11,5-CU
5	72313268	2	NUT	DIN 934 M8-8A3L
6	72315800	1	SCREW	DIN7604 AM16X1,5-ST-A3L
7	72315097	1	SEALING WASHER	DIN 7603 A16X20-CU
8	72315453	1	SCREW	DIN 910 M48X1,5-ST
9	72315109	1	SEALING WASHER	DIN 7603 A48X55-CU
10	72315534	2	HEXAGONAL HEAD BOLT	DIN 931 M8 X 70-8.8
11	72374149	3	HEXAGONAL HEAD BOLT	DIN 931 M8X110-8.8
12	72315525	9	HEXAGONAL HEAD BOLT	DIN 931 M8 X 90-8.8A3L
13	72315654	12	HEXAGONAL HEAD BOLT	DIN 933 M8X28-8.8A3L
14	72315657	1	HEXAGONAL HEAD BOLT	DIN 933 M8 X 30-8.8A3L
15	72315438	1	PLUG SCREW	DIN 908 M14X1,5-ST
16	72315094	1	SEALING WASHER	DIN 7603 A14X18-CU
17	72315442	2	PLUG	DIN 908 M22X1,5-ST
18	72315101	2	SEALING WASHER	DIN 7603 A22X27-CU
19	72363802	1	PIPE BEND	
20	72316510	1	COMPRESSION SPRING	
21	72407980	1	COMPRESSION SPRING	
22	72436284	1	HOSE 1X 700MM CUT TO LENGTH	L=1120 FWN65912-19X3-PVC-W-G
	72316913	2	CABLE STRAP B360X7,5	FWN 66650 B360X7,5-SW
23	72311273	1	SEALING COMPOUND	TEROST-63S
24	72377223	1	COVER	DIN 443-42
25	72363801	1	OIL FILLER NECK	
26	72376547	1	O-RING	44,2X3-FPM 70 FWN56402
27	72315679	2	HEXAGONAL HEAD BOLT	DIN 933 M10X20-8.8A3L
28	72350488	1	DIPSTICK ><29	
29	72344331	1	RUBBER SEAL	
30	72312910	1	DECAL	

GT 390GT (390/00101-99999)
6615



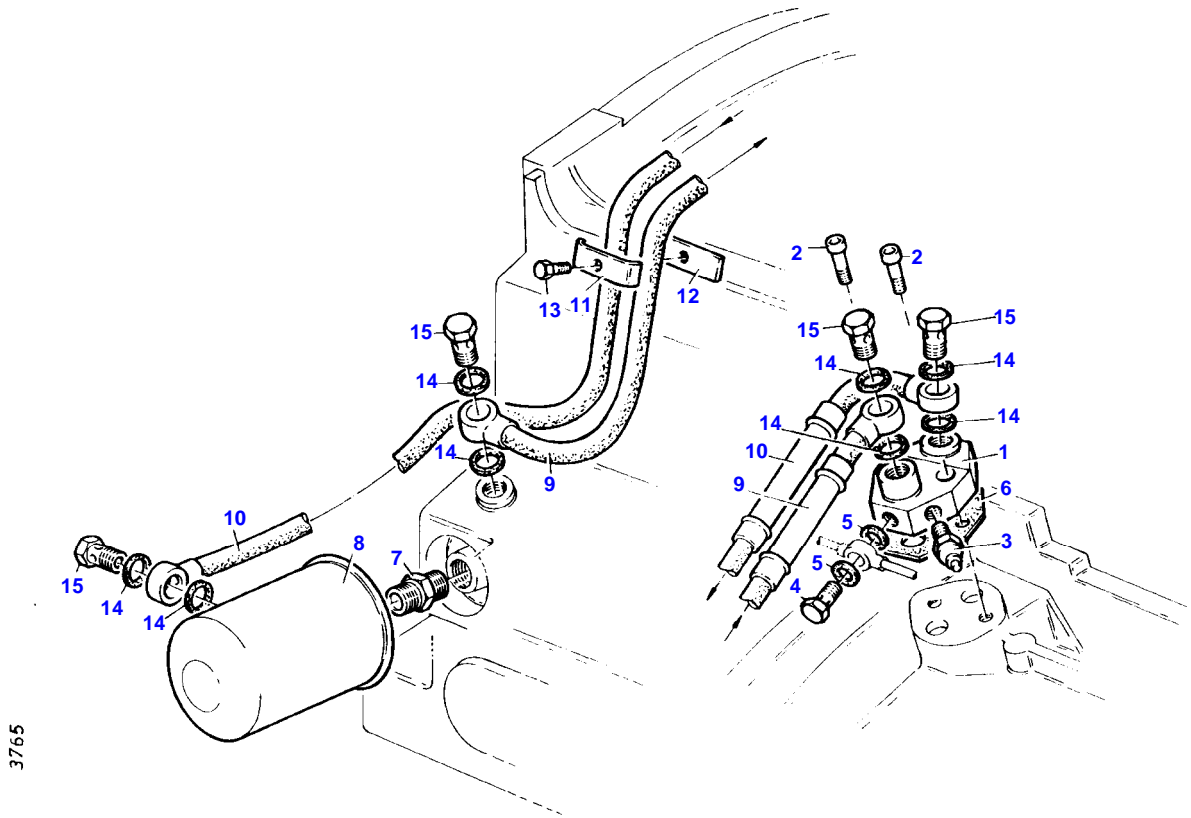
6615

Item	Part Number	Qty	Description Comments	Technical Specification
1	72344367	1	SUCTION PIPE	
2	72344368	1	SUCTION LINE	
3	72344369	1	RETURN PIPE	
4	72344370	1	RETAINER	
5	72344371	1	PIPE CLAMP	
6	72344372	1	CONSOLE	
7	72344373	1	PIPE CLAMP	
8	72315642	3	HEXAGONAL HEAD BOLT	DIN 933 M8 X 16-8.8A3L
9	72315650	1	HEXAGONAL HEAD BOLT	DIN 933 M8 X 20-8.8A3L
10	72311788	4	DISC	DIN 125-8,4-ST.A3L
11	72323678	1	DISC	
12	72315679	1	HEXAGONAL HEAD BOLT	DIN 933 M10X20-8.8A3L
13	72313268	1	NUT	DIN 934 M8-8A3L
14	72313272	1	NUT	DIN 934 M10-8A3L
15	72344374	2	UNION SCREW	
16	72344375	2	DOUBLE CONICAL RING	
20	72344365	1	LUBRICATING OIL PUMP	
21	72315063	2	SPLIT WASHER	FWN65237-8-A3L
22	72374027	2	SOCKET HEAD BOLT	DIN 912 M8X60-10.9
25	72324228	1	BOOST PIPE	
26	72323644	2	O-RING	
27	72324088	1	CLIP PIN	

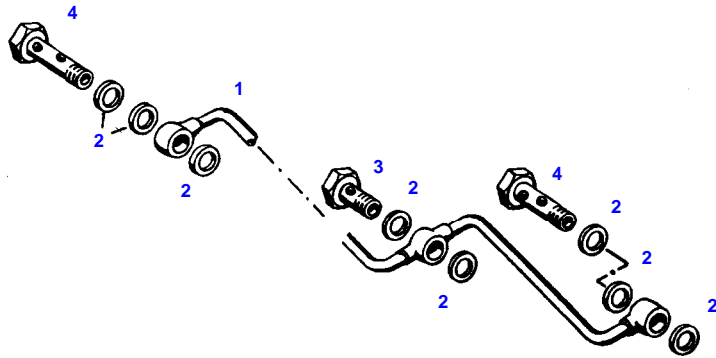


6781

Item	Part Number	Qty	Description Comments	Technical Specification
1	72344296	1	LUBRICATION OIL COOLER	
2	72315539	2	HEXAGONAL HEAD BOLT	DIN 931 M8X80-8.8 A3L
3	72323686	4	DISC	
4	72344297	1	SEALING WASHER	
5	72344380	2	CONNECTING NUT	
6	72323699	2	DOUBLE CONICAL RING	



Item	Part Number	Qty	Description Comments	Technical Specification
1	72403275	1	ADAPTER	
2	72315501	2	SOCKET HEAD BOLT	DIN 912 M10X50-8.8
3	72380896	1	OIL PRESSURE SENSOR	
4	72315807	1	BANJO BOLT	DIN 7643-8-3-A3L
5	72315087	2	SEALING WASHER	DIN 7603 A8X14-CU
6	72324224	1	SEAL	
7	72324068	1	DOUBLE NIPPLE	
8	72311026	1	OIL FILTER	
9	72324404	1	OIL LINE	
10	72324403	1	OIL LINE	
11	72324405	1	CLIP	
12	72324406	1	PLATE	
13	72315635	1	HEXAGONAL HEAD BOLT	DIN 933 M6X35-8.8A3L
14	72315104	8	SEALING WASHER	DIN 7603 A26X31-CU
15	72315811	4	BANJO BOLT	DIN 7643-22-3-A3L



5474

Fendt

GT 390GT (390/00101-99999)

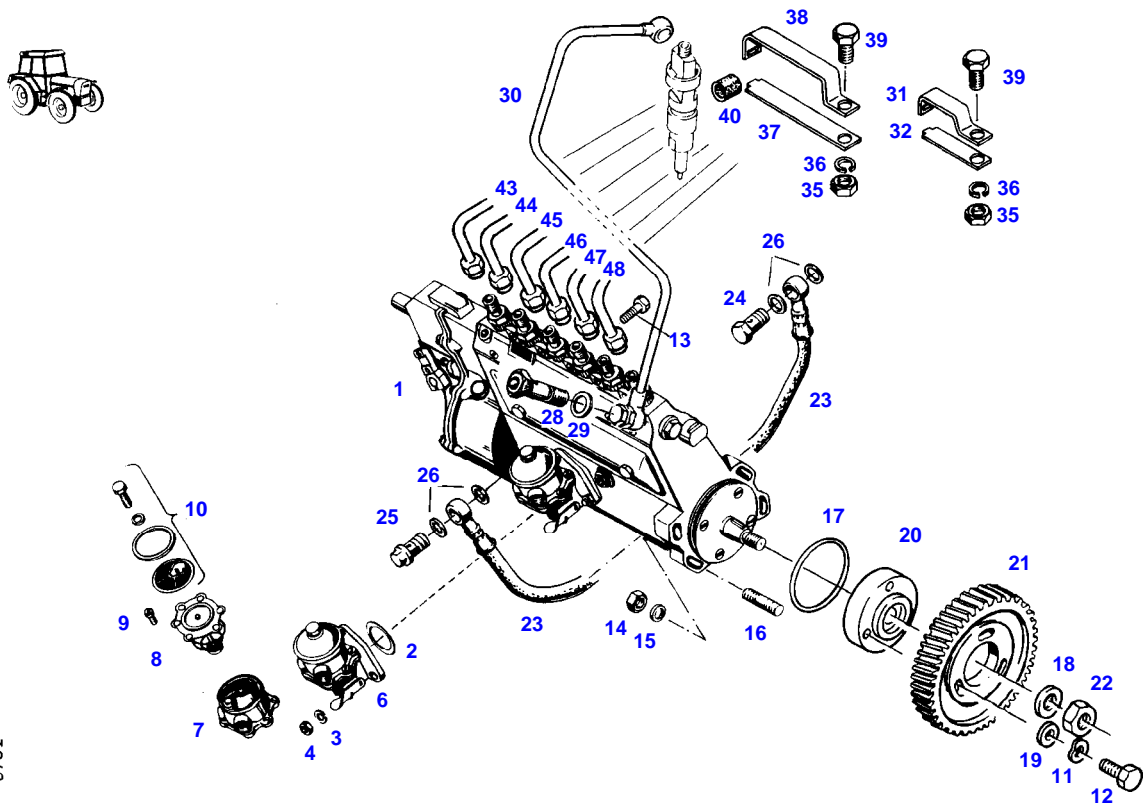
F390000

LEAK OIL LINE

Page01-0027

Item	Part Number	Qty	Description Comments	Technical Specification
1	72344392	1	LEAKAGE OIL LINE	
2	72315086	14	SEALING WASHER	DIN 7603 A8X11,5-CU
3	72344394	4	BANJO BOLT	
4	72344393	2	BANJO BOLT	

GT 390GT (390/00101-99999)
6782



6782

Item	Part Number	Qty	Description Comments	Technical Specification
1	72344304	1	INJECTION PUMP ><2-10	
2	72323645	1	SEAL IMSA	
	72328694	1	MOLDED SEAL PIERBURG	
			NOT AVAILABLE IN SINGLE PARTS BD - TORINO	
3	72315052	3	SPLIT WASHER	FWN 65208-6-A3L
4	72313266	3	NUT	DIN 934 M6-8A3L
6	72328691	1	FUEL PUMP PIERBURG ><7-12 <-- F150.204.710.013 1X	
	72451618	1	FUEL PUMP BD - TORINO ><2	
7			NO SPARE PART	
8			NO SPARE PART	
9	72373594	6	SOCKET HEAD BOLT	DIN 84 M4X12-4.8-A3L
10	72324495	1	REPAIR KIT IMSA	
			NO LONGER AVAILABLE REPAIR KIT PIERBURG	
	72437162	1	REPAIR KIT BD - TORINO ><2	
11	72317121	3	SPRING WASHER	DIN 137 B8-MECH.VZK
12	72374801	3	HEXAGONAL HEAD BOLT	DIN 961 M8X1X25-8.8A3L
13	72315629	1	HEXAGONAL HEAD BOLT	DIN 933 M6 X 12-8.8A3L
14	72372811	4	NUT	DIN 934 M10-10A3L
15	72311789	4	DISC	DIN 125-10,5-ST.A3L
16	72374646	4	STUD BOLT	DIN 939 M10X30-8.8
17	72323564	1	SEAL	
18	72324108	1	DISC	
19	72323792	3	DISC	
20	72324107	1	HUB	
21	72323957	1	GEAR WHEEL	
22	72372822	1	NUT	DIN 934 M14X1,5-10
23	72323638	1	HOSE LINE	
24	72323516	1	BANJO BOLT	
25	72324022	1	BANJO BOLT	
26	72315095	4	SEALING WASHER	DIN 7603 A14X20-CU
28	72324065	1	VALVE	
29	72315095	3	SEALING WASHER	DIN 7603 A14X20-CU
30	72344383	1	SPILL LINE	
31	72323537	1	PIPE CLAMP	
32	72323593	1	END PLATE	
35	72313266	2	NUT	DIN 934 M6-8A3L
36	72315052	2	SPLIT WASHER	FWN 65208-6-A3L
37	72344385	1	END PLATE	
38	72344384	1	PIPE CLAMP	
39	72315629	2	HEXAGONAL HEAD BOLT	DIN 933 M6 X 12-8.8A3L
40	72324367	2	THIMBLE	
43	72344425	1	INJECTION LINE CYLINDER 1	
44	72344426	1	INJECTION LINE CYLINDER 2	
45	72344300	1	INJECTION LINE CYLINDER 3	

Fendt

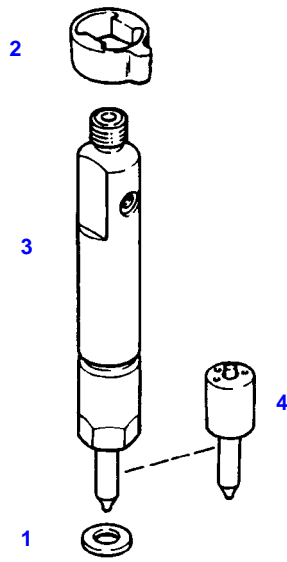
GT 390GT (390/00101-99999)

F390000

INJECTION PUMP

Page01-0028

Item	Part Number	Qty	Description Comments	Technical Specification
46	72344301	1	INJECTION LINE CYLINDER 4	
47	72344302	1	INJECTION LINE CYLINDER 5	
48	72344303	1	INJECTION LINE CYLINDER 6	



6783

Fendt

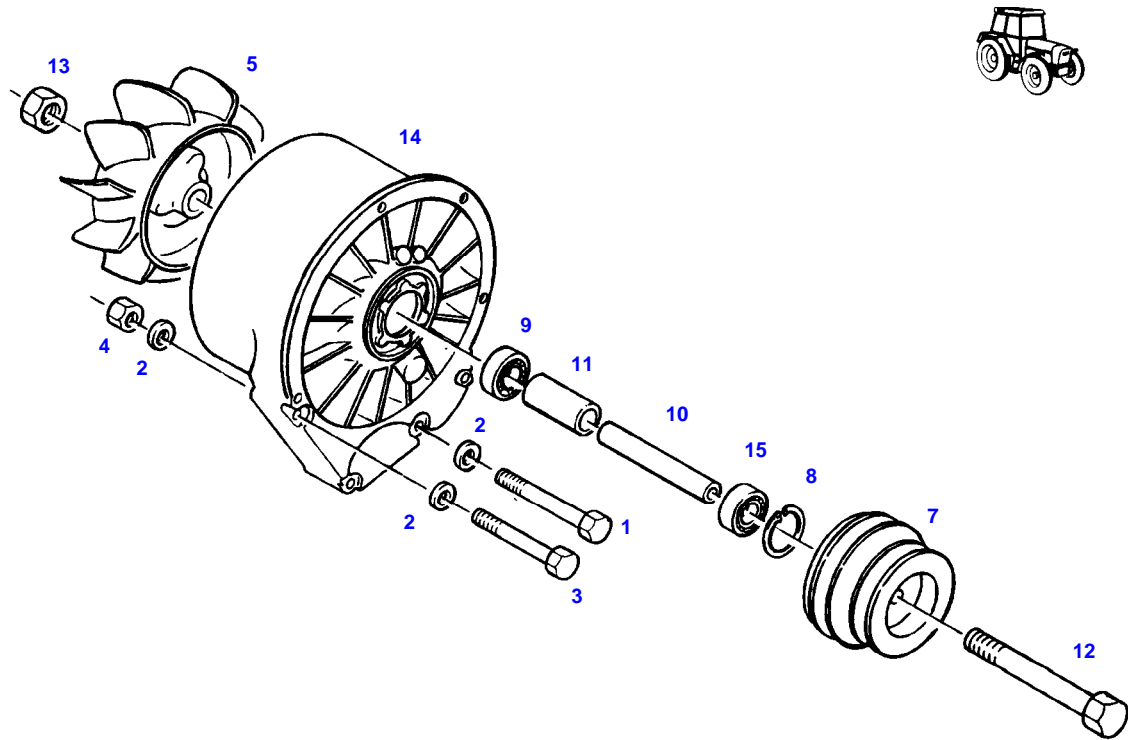
GT 390GT (390/00101-99999)

F390000

INJECTOR VALVE

Page01-0029

Item	Part Number	Qty	Description Comments
1	72344305	6	SEALING WASHER
2	72344395	6	BUSH
3	72344306	6	NOZZLE HOLDER ><3+4
4	72344307	6	INJECTION NOZZLE



6784

Thank you so much for reading.
Please click the “Buy Now!”
button below to download the
complete manual.



After you pay.

You can download the most
perfect and complete manual in
the world immediately.

Our support email:

ebooklibonline@outlook.com