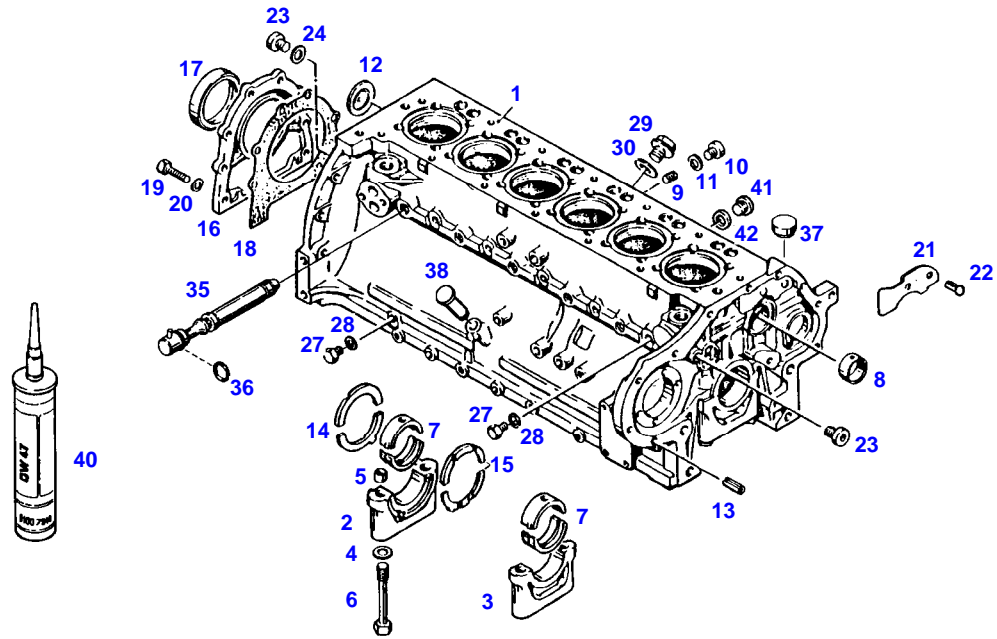


Page Number	Page Title	Page Reference
01-000-TOC	ENGINE, FUEL AND EXHAUST SYSTEM	01-000-TOC
02-000-TOC	AXLES	02-000-TOC
03-000-TOC	STEERING SYSTEM	03-000-TOC
04-000-TOC	DRIVE TRAIN SYSTEM	04-000-TOC
05-000-TOC	COMPRESSED AIR SYSTEM	05-000-TOC
06-000-TOC	HYDRAULIC SYSTEM	06-000-TOC
07-000-TOC	ELECTRICAL SYSTEM	07-000-TOC
08-000-TOC	CAB	08-000-TOC
09-000-TOC	AIR CONDITIONING AND HEATING SYSTEM	09-000-TOC
10-000-TOC	CHASSIS	10-000-TOC
11-000-TOC	WHEELS	11-000-TOC
12-000-TOC	IMPLEMENT LIFT SYSTEM FRONT	12-000-TOC
13-000-TOC	IMPLEMENT LIFT SYSTEM REAR	13-000-TOC
14-000-TOC	FRONT/REAR LOADERS	14-000-TOC
15-000-TOC	ACCESSORIES	15-000-TOC

GT 395GT (395/00101-99999)
6607

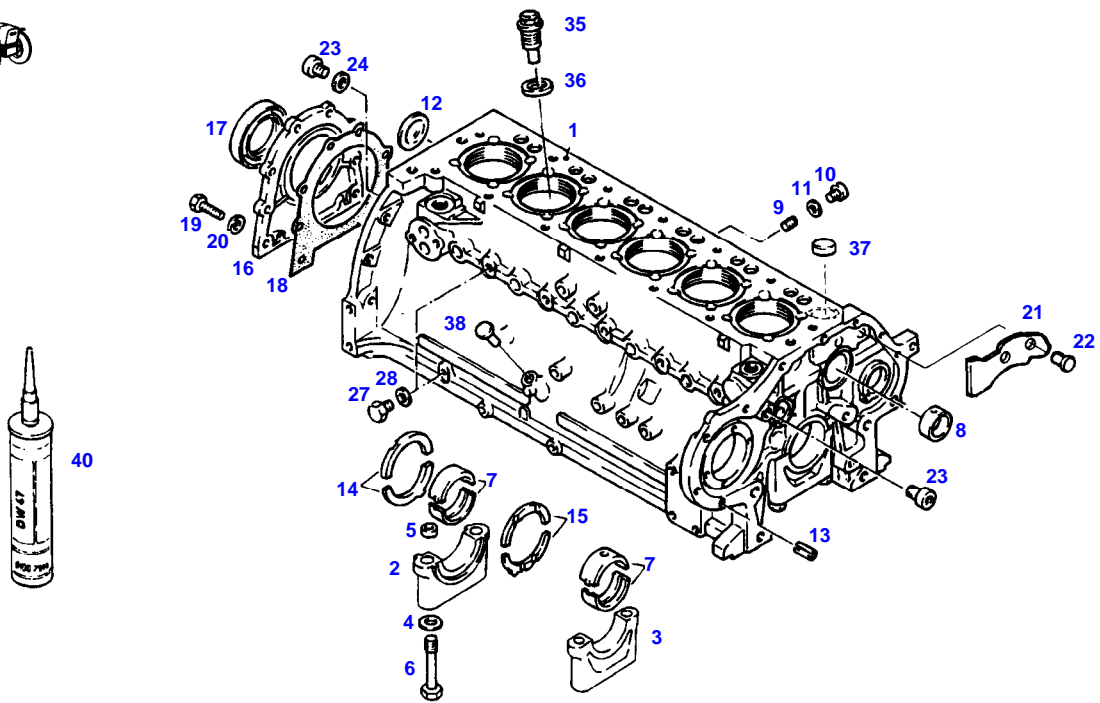


6607

Item	Part Number	Qty	Description Comments	Technical Specification
			--> 395/7000	
	72431944	1	EXCHANGE ENGINE ENGINE EXCHANGE PLEASE ORDER WITH ENGINE NO. ONLY !	
1	72344269	1	CRANKCASE UPPER HALF ><1-6+9-13	
	72344356	1	SEAL KIT	
2			NO SPARE PART	
3			NO SPARE PART	
4	72323682	14	DISC	
5	72344342	14	ADAPTER BUSH	
6	72344343	14	HEXAGONAL HEAD BOLT	
7	72324293	7	CRANKSHAFT BEARING 70,00 MM	
	72415975	7	CRANKSHAFT BEARING 69,75 MM	
	72415976	7	CRANKSHAFT BEARING 69,50 MM	
8	72344344	1	BUSH	
9	72323675	7	SLOTTED PLUG	
10	72427167	6	SCREW	DIN 908 M12 X 1,5-ST-A3
11	72315090	7	SEALING WASHER	DIN 7603 A12X15,5-CU
12	72323690	1	LOCKING DISC	
13	72323573	2	TENSIONER BUSHING	
14	72425118	1	THRUST RING 2,94 MM	
	72323990	1	THRUST RING FOR STEEL CRANKSHAFT 3,25 MM	
	72323991	1	THRUST RING FOR STEEL CRANKSHAFT 3,50 MM	
	72496405	1	THRUST RING FOR CAST STEEL CRANKSHAFT 3,14 MM	3,14MM
15	72323983	1	THRUST RING 3,00 MM	
	72323984	1	THRUST RING FOR STEEL CRANKSHAFT 3,25 MM	
	72323985	1	THRUST RING FOR STEEL CRANKSHAFT 3,50 MM	
	72425121	1	THRUST RING FOR CAST STEEL CRANKSHAFT 3,14 MM	
16	72324099	1	COVER	
17	72425119	1	SHAFT SEAL	
18	72324291	1	SEAL	
19	72315650	8	HEXAGONAL HEAD BOLT	DIN 933 M8 X 20-8.8A3L
20	72311788	8	DISC	DIN 125-8,4-ST.A3L
21	72344345	1	BAFFLE	
22	72372707	2	SLOTTED PIN	DIN 1476-6X10-ST
23	72323672	2	SCREW	
24	72376031	2	SEALING WASHER	DIN 7603 A20X24-CU
27	72374942	4	PLUG	DIN 7604 CM10X1-ST
28	72315088	4	SEALING WASHER	DIN 7603 A10X13,5-CU
29	72315803	1	SCREW	DIN 7604 CM26X1,5-ST-A3L
30	72315104	1	SEALING WASHER	DIN 7603 A26X31-CU
35	72324217	6	SPRAY NOZZLE	
36	72323628	6	SEAL	

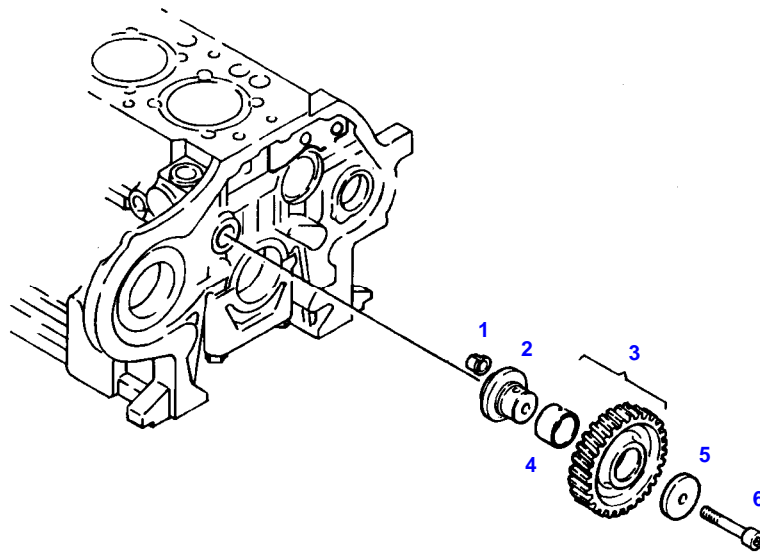
Item	Part Number	Qty	Description Comments	Technical Specification
37	72323653	1	CORE HOLE PLUG	
38	72324312	1	BOLT	
40	72311273	1	SEALING COMPOUND	TEROST-63S
41	72427167	1	SCREW	DIN 908 M12 X 1,5-ST-A3
42	72315090	1	SEALING WASHER	DIN 7603 A12X15,5-CU

GT 395GT (395/00101-99999)
6779



6779

Item	Part Number	Qty	Description Comments	Technical Specification
			<-- 395/7001	
	72422207	1	ENGINE <-- Z395.201.010.010	F6L913
1	72344269	1	ENGINE EXCHANGE CRANKCASE UPPER HALF	
	72344356	1	><2-6+9-13 SEAL KIT	
2			NO SPARE PART	
3			NO SPARE PART	
4	72323682	14	DISC	
5	72344342	14	ADAPTER BUSH	
6	72344343	14	HEXAGONAL HEAD BOLT	
7	72324293	7	CRANKSHAFT BEARING 70,00 MM	
	72415975	7	CRANKSHAFT BEARING 69,75 MM	
	72415976	7	CRANKSHAFT BEARING 69,50 MM	
8	72344344	1	BUSH	
9	72323675	7	SLOTTED PLUG	
10	72427167	6	SCREW	DIN 908 M12 X 1,5-ST-A3
11	72315090	7	SEALING WASHER	DIN 7603 A12X15,5-CU
12	72323690	1	LOCKING DISC	
13	72323573	2	TENSIONER BUSHING	
14	72425118	1	THRUST RING 2,94 MM	
	72323990	1	THRUST RING FOR STEEL CRANKSHAFT 3,25 MM	
	72323991	1	THRUST RING FOR STEEL CRANKSHAFT 3,50 MM	
	72496405	1	THRUST RING FOR CAST STEEL CRANKSHAFT 3,14 MM	3,14MM
15	72323983	1	THRUST RING 3,00 MM	
	72323984	1	THRUST RING FOR STEEL CRANKSHAFT 3,25 MM	
	72323985	1	THRUST RING FOR STEEL CRANKSHAFT 3,50 MM	
	72425121	1	THRUST RING FOR CAST STEEL CRANKSHAFT 3,14 MM	
16	72324099	1	COVER	
17	72425119	1	SHAFT SEAL	
18	72324291	1	SEAL	
19	72315650	8	HEXAGONAL HEAD BOLT	DIN 933 M8 X 20-8.8A3L
20	72311788	8	DISC	DIN 125-8,4-ST.A3L
21	72344345	1	BAFFLE	
22	72372707	2	SLOTTED PIN	DIN 1476-6X10-ST
23	72323672	2	SCREW	
24	72376031	2	SEALING WASHER	DIN 7603 A20X24-CU
27	72374942	4	PLUG	DIN 7604 CM10X1-ST
28	72315088	4	SEALING WASHER	DIN 7603 A10X13,5-CU
35	72420361	6	SPRAY NOZZLE	
36	72315053	6	SPLIT WASHER	FWN 65208-8-A3L
37	72323653	1	CORE HOLE PLUG	
38	72324312	1	BOLT	
40	72311273	1	SEALING COMPOUND	TEROST-63S



5444

Fendt

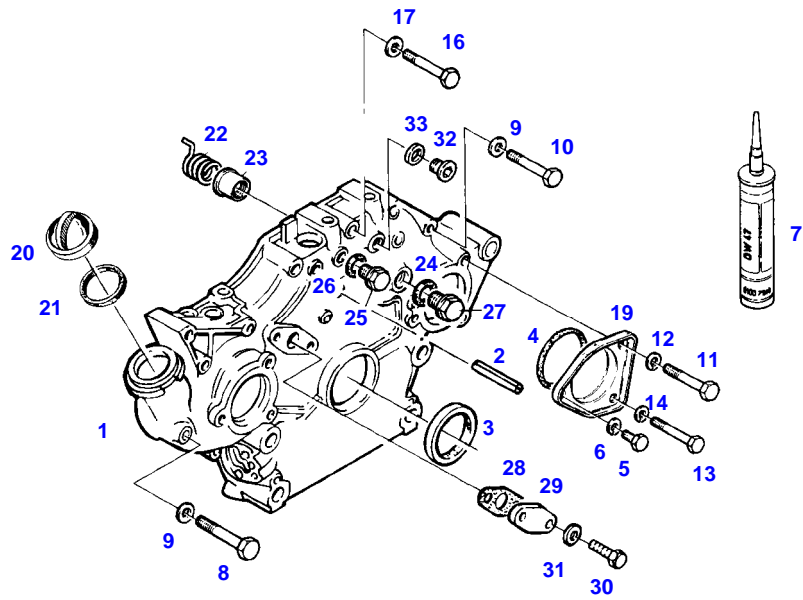
GT 395GT (395/00101-99999)

F395000

INTERM. GEAR WHEEL

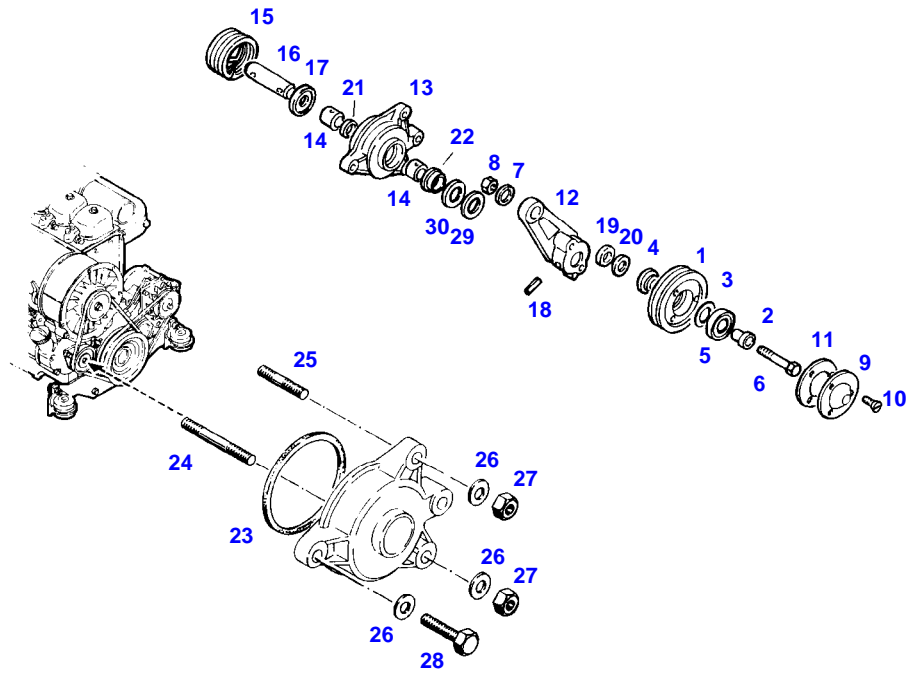
Page01-0016

Item	Part Number	Qty	Description Comments
1	72344346	1	TENSIONER BUSHING
2	72344347	1	PIVOT
3	72324456	1	GEAR WHEEL ><4
4	72324455	1	BUSH
5	72324457	1	DISC
6	72324090	1	SOCKET HEAD BOLT



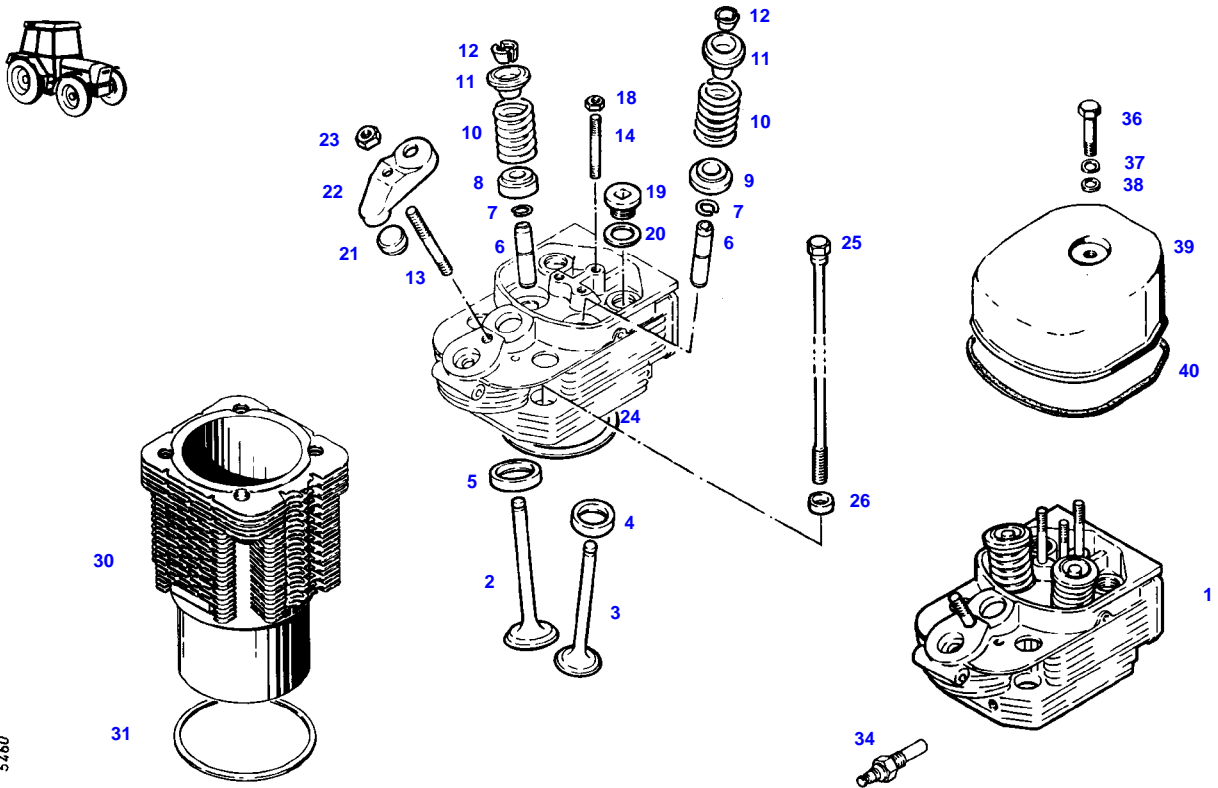
6606

Item	Part Number	Qty	Description Comments	Technical Specification
1	72344348	1	COVER	
2	72375153	1	TENSIONING PIN	ISO8752-6X45-A-ST-ZNPHR10F-KOE
3	72317651	1	SHAFT SEAL	
4	72323566	1	PERMANENT REINFORCEMENT	
5	72374417	1	HEXAGONAL HEAD BOLT	DIN 933 M8X8-8.8
6	72315053	1	SPLIT WASHER	FWN 65208-8-A3L
7	72311273	1	SEALING COMPOUND	TEROST-63S
8	72374161	1	HEXAGONAL HEAD BOLT	DIN 931 M8X60 GWA-10.9
	72374145	1	HEXAGONAL HEAD BOLT	DIN 931 M8X90 GWA-10.9
9	72311788	3	DISC	DIN 125-8,4-ST.A3L
10	72315534	2	HEXAGONAL HEAD BOLT	DIN 931 M8 X 70-8.8
11	72374183	1	HEXAGONAL HEAD BOLT	DIN 931 M10X75-8.8
12	72315054	1	SPLIT WASHER	FWN 65208-10-A3L
13	72315537	1	HEXAGONAL HEAD BOLT	DIN 931 M8X85-8.8A3L
14	72315053	1	SPLIT WASHER	FWN 65208-8-A3L
	72374145	1	HEXAGONAL HEAD BOLT	DIN 931 M8X90 GWA-10.9
16	72315534	2	HEXAGONAL HEAD BOLT	DIN 931 M8 X 70-8.8
17	72311788	2	DISC	DIN 125-8,4-ST.A3L
19	72324418	1	COVER	
20	72323709	1	COVER ><21	
21	72323708	1	SEALING WASHER	
22	72324159	1	COMPRESSION SPRING	
23	72323827	1	START-UP CAP	
24	72376036	1	SEALING WASHER	DIN7603 A24X30-ALU
25	72373970	1	PLUG	DIN 910 M10X1-ST PH
26	72315089	1	SEALING WASHER	DIN 7603 A10X16-CU
27	72323829	1	SCREW	
28	72344349	1	OVAL GASKET	
29	72344350	1	OVAL FLANGE	
30	72315642	2	HEXAGONAL HEAD BOLT	DIN 933 M8 X 16-8.8A3L
31	72311788	2	DISC	DIN 125-8,4-ST.A3L
32	72315440	1	PLUG SCREW	DIN 908 M18 X 1,5-ST
33	72376029	1	SEALING WASHER	DIN 7603 A18X24-AL



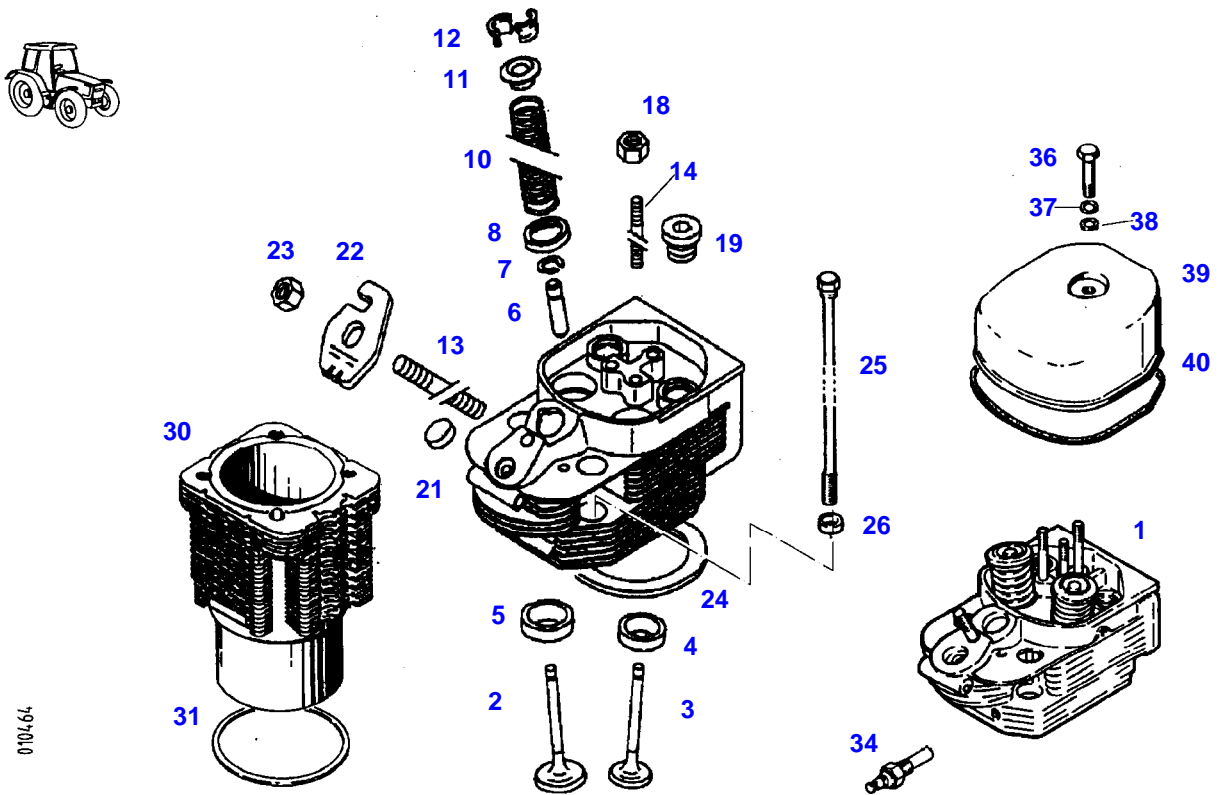
6608

Item	Part Number	Qty	Description Comments	Technical Specification
1	72344351	1	TENSIONING ROLLER ><1-22 --> 395/7000	
	72344421	1	TENSIONING ROLLER ><1-22 <-- 395/7001	
	72323802	1	V BELT SHEAVE	
2	72323801	1	FLANGE BUSHING	
3	72323848	1	DISC	
4	72323847	1	RING	
5	72323614	1	BALL BEARING	
6	72374158	1	HEXAGONAL HEAD BOLT	DIN 931 M8X45-8.8
7	72311788	1	DISC	DIN 125-8,4-ST.A3L
8	72313268	1	NUT	DIN 934 M8-8A3L
9	72324165	1	COVER	
10	72374838	3	COUNTERSUNK CAPSCREW	DIN 963 M6X16-4.8A3L
11	72323849	1	SEAL	
12	72344352	1	TENSIONER LEVER	
13	72324433	1	TENSIONER COVER	
14	72324169	2	BEARING BUSHING	
15	72324168	1	LEG SPRING	
16	72324174	1	SHAFT --> 395/7000	
	72344422	1	SHAFT <-- 395/7001	
17	72324175	1	DISC	
18	72313829	1	TENSIONING PIN	ISO8752-8X32-A-ST
19	72323824	1	DISC 1,0 MM	
20	72324184	1	DISC 0,3 MM	
21	72324176	1	SPACER RING	
22	72324172	1	SHAFT SEAL	
23	72323566	1	PERMANENT REINFORCEMENT --> 395/7000	
	72343078	1	PERMANENT REINFORCEMENT <-- 395/7001	
24	72373909	1	STUD BOLT	DIN 835 M8X45-5.8
25	72373902	1	STUD BOLT	DIN 835 M8X25-5.8
26	72323683	3	DISC	
27	72313268	2	NUT	DIN 934 M8-8A3L
28	72315657	1	HEXAGONAL HEAD BOLT	DIN 933 M8 X 30-8.8A3L
29	72344353	1	THRUST WASHER	
30	72344354	1	THRUST WASHER	



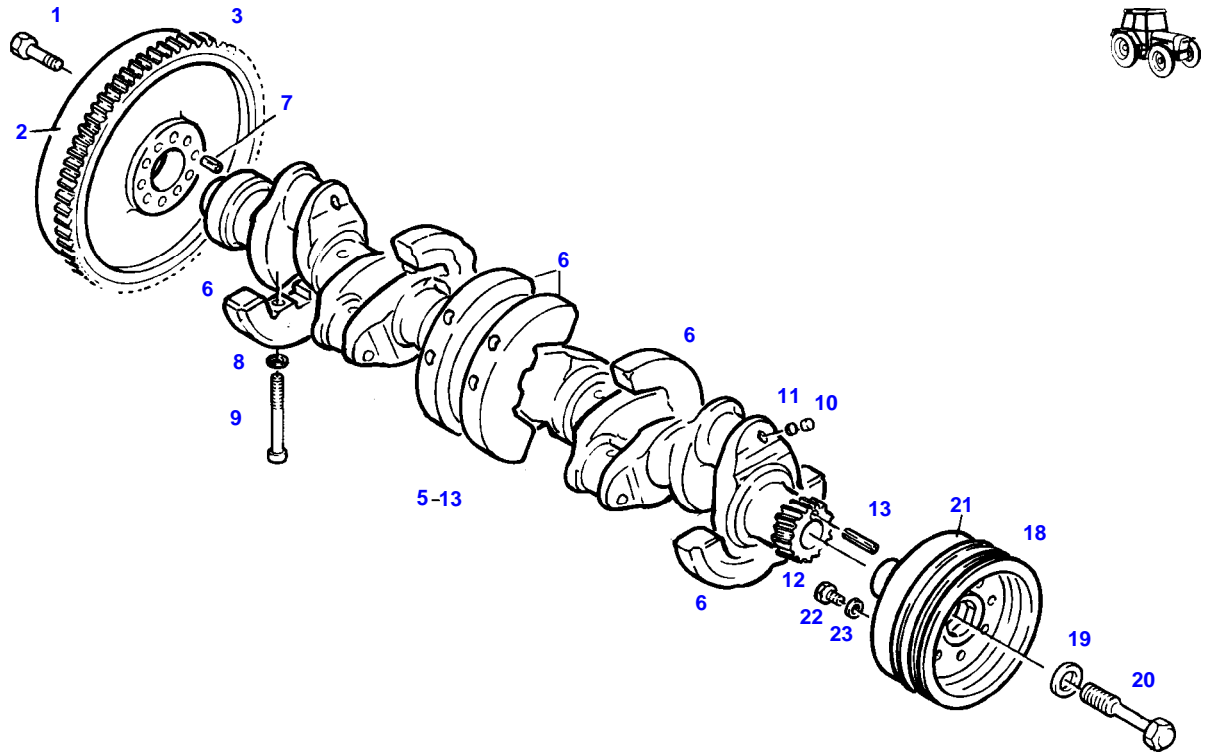
Item	Part Number	Qty	Description Comments	Technical Specification
			--> 395/7000	
1	72324423	6	CYLINDER HEAD ><2-14 <>24 <>	
	72324496	6	COMPENSATING RING	
	72344277	6	COMPENSATING RING	
	72344281	6	COMPENSATING RING	
	72344274	6	COMPENSATING RING	
	72344280	6	COMPENSATING RING	
	72344276	6	COMPENSATING RING	
	72344275	6	COMPENSATING RING	
	72344282	6	COMPENSATING RING	
	72344279	6	COMPENSATING RING	
	72344278	6	COMPENSATING RING	
2	72324437	6	INTAKE VALVE <>	
	72323888	1	SPRING RETAINER	
	72333115	2	VALVE SPRING KEY	
3	72425071	6	OUTLET VALVE <>	
	72333115	2	VALVE SPRING KEY	
	72323888	1	SPRING RETAINER	
4	72323897	6	VALVE SEAT RING 40,16 MM	
	72323898	6	VALVE SEAT RING 40,26 MM	
	72323899	6	VALVE SEAT RING 40,36 MM	
5	72323894	6	VALVE SEAT RING 45,66 MM	
	72323895	6	VALVE SEAT RING 45,76 MM	
	72323896	6	VALVE SEAT RING 45,85 MM	
6	72324060	12	VALVE GUIDE 15,00 MM	
	72324070	12	VALVE GUIDE 15,25 MM	
	72324071	12	VALVE GUIDE 15,50 MM	
7	72323676	12	LOCKWASHER	
8	72323783	6	VALVE TURN. DEV.	
9	72323888	6	SPRING RETAINER	
10	72324338	12	COMPRESSION SPRING	
11	72324349	12	SPRING RETAINER	
12	72323582	24	TAPER PIECE HALF	
13	72373929	6	STUD BOLT	DIN 835 M10X70-8.8
14	72418370	18	STUD BOLT	DIN 835-M8 SN4X55-8.8
18	72313268	18	NUT	DIN 934 M8-8A3L
19	72373957	12	SCREW	DIN 908-M26X1,5-ST-A3L
20	72315104	12	SEALING WASHER	DIN 7603 A26X31-CU
21	72323919	6	DISC	
22	72323921	6	HOLDER	
23	72313272	6	NUT	DIN 934 M10-8A3L
24	72324496	6	COMPENSATING RING 1,10 MM	
	72344274	6	COMPENSATING RING 1,15 MM	
	72344275	6	COMPENSATING RING 1,20 MM	
	72344276	6	COMPENSATING RING 1,25 MM	

Item	Part Number	Qty	Description Comments	Technical Specification
	72344277	6	COMPENSATING RING 1,30 MM	
	72344278	6	COMPENSATING RING 1,35 MM	
	72344279	6	COMPENSATING RING 1,40 MM	
	72344280	6	COMPENSATING RING 1,45 MM	
	72344281	6	COMPENSATING RING 1,50 MM	
	72344282	6	COMPENSATING RING 1,55 MM	
25	72324409	24	SOCKET HEAD BOLT	
26	72324345	24	MACHINE WASHER	
30	72324477	6	CYLINDER 102,00 MM	
31	72323891	X	COMPENSATING RING 0,20 MM	
	72324067	X	COMPENSATING RING 0,50 MM	
	72324374	X	COMPENSATING RING 0,80 MM	
	72324201	X	COMPENSATING RING 1,00 MM	
34			SEE ELECTRICAL SYSTEM	
36	72315657	6	HEXAGONAL HEAD BOLT	DIN 933 M8 X 30-8.8A3L
	72325293	6	HEXAGONAL HEAD BOLT FOR DOMED CYLINDER HEAD COVER	M8X30
37	72311788	6	DISC	DIN 125-8,4-ST.A3L
38	72323693	6	SEALING WASHER	
	72488855	6	SEALING WASHER FOR DOMED CYLINDER HEAD COVER	
39	72324097	6	CYLINDER HEAD COVER FLAT <-- F149.200.210.240	
	72488845	6	CYLINDER HEAD COVER VAULTED >>36,38,40	
40	72485671	6	SEAL	
	72485671	6	SEAL FOR DOMED CYLINDER HEAD COVER	



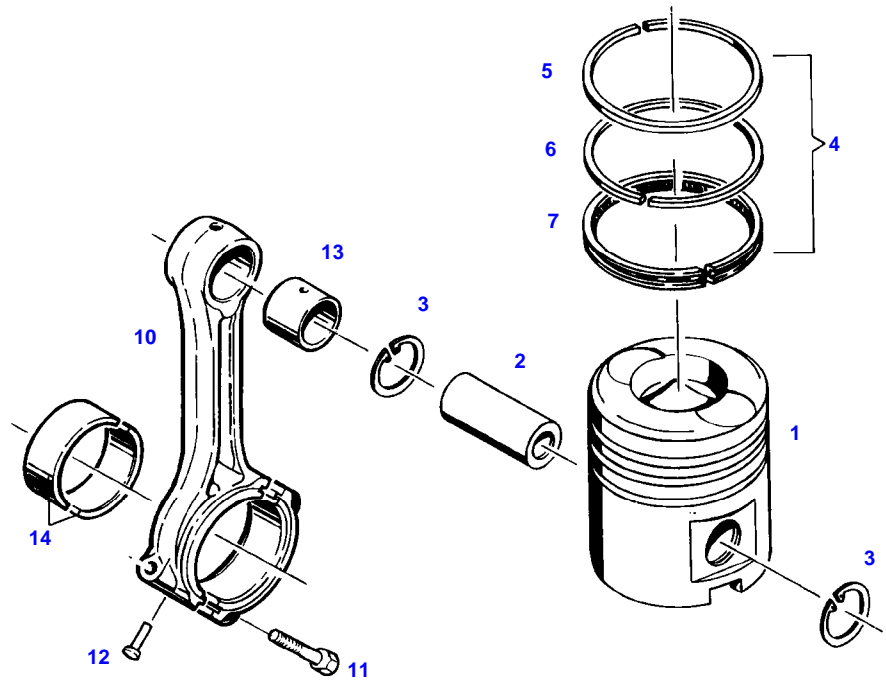
Item	Part Number	Qty	Description Comments	Technical Specification
			<-- 395/7001	
1	72474193	6	CYLINDER HEAD ><1-14 <>24 <>	
	72344280	6	COMPENSATING RING	
	72333128	6	COMPENSATING RING	
	72344282	6	COMPENSATING RING	
	72333127	6	COMPENSATING RING	
	72344275	6	COMPENSATING RING	
2	72333119	6	INTAKE VALVE	
3	72333118	6	OUTLET VALVE	
4	72323897	6	VALVE SEAT RING 40,16 MM	
	72323898	6	VALVE SEAT RING 40,26 MM	
	72323899	6	VALVE SEAT RING 40,36 MM	
5	72333122	6	VALVE SEAT RING 45,66 MM	
	72333125	6	VALVE SEAT RING 45,76 MM	
	72333126	6	VALVE SEAT RING 45,86 MM	
6	72333121	12	VALVE GUIDE DUAL GROOVE 15,00 MM	
	72415971	12	VALVE GUIDE SINGLE GROOVE 15,00 MM	
	72333123	12	VALVE GUIDE 15,25 MM	
	72333124	12	VALVE GUIDE 15,50 MM	
7	72323676	12	LOCKWASHER	
8	72323888	12	SPRING RETAINER	
10	72324338	12	COMPRESSION SPRING	
11	72324349	12	SPRING RETAINER	
12	72333115	24	VALVE SPRING KEY	
13	72373927	6	STUD BOLT	DIN 835 M10X50-8.8
14	72418370	18	STUD BOLT	DIN 835-M8 SN4X55-8.8
18	72313268	18	NUT	DIN 934 M8-8A3L
19	72373957	12	SCREW	DIN 908-M26X1,5-ST-A3L
21	72323919	5	DISC	
22	72333416	6	HOLDER	
23	72313271	6	NUT	DIN 934 M10-8
24	72344275	6	COMPENSATING RING 1,20 MM	
	72344280	6	COMPENSATING RING 1,45 MM	
	72344282	6	COMPENSATING RING 1,55 MM	
	72333127	6	COMPENSATING RING 1,65 MM	
	72333128	6	COMPENSATING RING 1,90 MM	
25	72324409	24	SOCKET HEAD BOLT	
26	72324345	24	MACHINE WASHER	
30	72324477	6	CYLINDER 102,00 MM	
31	72323891	X	COMPENSATING RING 0,2 MM	
	72324067	X	COMPENSATING RING 0,5 MM	

Item	Part Number	Qty	Description Comments	Technical Specification
	72324374	X	COMPENSATING RING 0,8 MM	
	72324201	X	COMPENSATING RING 1,0 MM	
34			SEE LIGHTS AND HORN	
36	72315657	6	HEXAGONAL HEAD BOLT	DIN 933 M8 X 30-8.8A3L
	72325293	6	HEXAGONAL HEAD BOLT FOR DOMED CYLINDER HEAD COVER	M8X30
37	72311788	6	DISC	DIN 125-8,4-ST.A3L
38	72323693	6	SEALING WASHER	
	72488855	6	SEALING WASHER FOR DOMED CYLINDER HEAD COVER	
39	72324097	6	CYLINDER HEAD COVER FLAT <-- F149.200.210.240	
	72488845	6	CYLINDER HEAD COVER VAULTED >>36,38,40	
40	72485671	6	SEAL	
	72485671	6	SEAL FOR DOMED CYLINDER HEAD COVER	



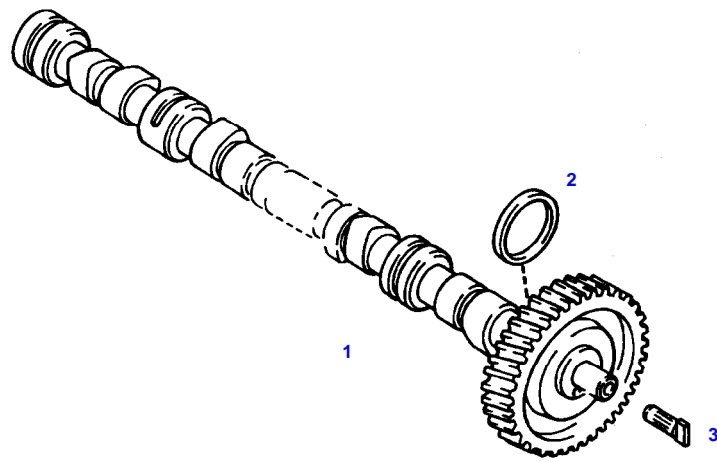
6609

Item	Part Number	Qty	Description Comments	Technical Specification
1	72374802	10	HEXAGONAL HEAD BOLT	DIN 961 M10X1X35-10.9A4C
2	72365122	1	FLYWHEEL	
			><3	
3	72323784	1	RING GEAR	
5	72344357	1	CRANKSHAFT	
			><6-13	
6			NOT AVAILABLE IN SINGLE PARTS	
7	72375160	1	TENSIONING PIN	ISO8752-8X18-A-ST
8	72323684	12	DISC	
9	72315513	12	SOCKET HEAD BOLT	DIN 912 M12X60-10.9
10	72323592	6	PLUG	
11	72323572	6	DISC	
12	72324150	1	GEAR WHEEL	
13	72372685	1	DOWEL PIN	
18	72344358	1	V BELT SHEAVE	
			ENG.NO.	
			--> 7921910	
			<-- 8474150	
			--> 8518006	
	72344361	1	V BELT SHEAVE	
			ENG.NO.	
			<-- 7921911	
			--> 8474149	
	72423386	1	V BELT SHEAVE	
			ENG.NO.	
			<-- 8518007	
19	72323687	1	DISC	
20	72344359	1	WAISTED SHANK BOLT	
21	72423386	1	V BELT SHEAVE	
			ENG.NO.	
			<-- 7921911	
			--> 8474149	
			<-- F395.200.310.060	
22	72315642	8	HEXAGONAL HEAD BOLT	DIN 933 M8 X 16-8.8A3L
			ENG.NO.	
			<-- 7921911	
			--> 8474149	
23	72311788	8	DISC	DIN 125-8,4-ST.A3L
			ENG.NO.	
			<-- 7921911	
			--> 8474149	



0199
6610

Item	Part Number	Qty	Description Comments	Technical Specification
1	72324415	6	PISTON ><2-7 102 MM --> 395/7000	
	72343231	6	PISTON ><4 102 MM <-- 395/7001	
	72324440	6	PISTON ><2-7 102,5 MM --> 395/7000	
2			NO SPARE PART	
3	72311094	12	LOCK WASHER	DIN 472-35X1,5
4	72324416	6	PISTON RING KIT ><5-7 102 MM --> 395/7000	
	72343232	6	PISTON RING KIT ><5-7 102 MM <-- 395/7001	
	72324441	6	PISTON RING KIT ><5-7 102,5 MM --> 395/7000	
5			NOT AVAILABLE IN SINGLE PARTS 102 MM --> 395/7000	
6			NOT AVAILABLE IN SINGLE PARTS 102 MM --> 395/7000	
7			NOT AVAILABLE IN SINGLE PARTS 102 MM --> 395/7000	
10	72324376	6	PISTON ROD	
11	72324117	12	HEXAGONAL HEAD BOLT	
12	72324342	6	PIN	
13	72324343	6	PISTON BUSH	
14	72415974	6	CONNECTING ROD BEARING 60,00 MM	
	72415977	6	CONNECTING ROD BEARING 59,75 MM	
	72415978	6	CONNECTING ROD BEARING 59,50 MM	
	72323927	6	CONNECTING ROD BEARING FOR STEEL CRANKSHAFT 59,25 MM	



5461

Fendt

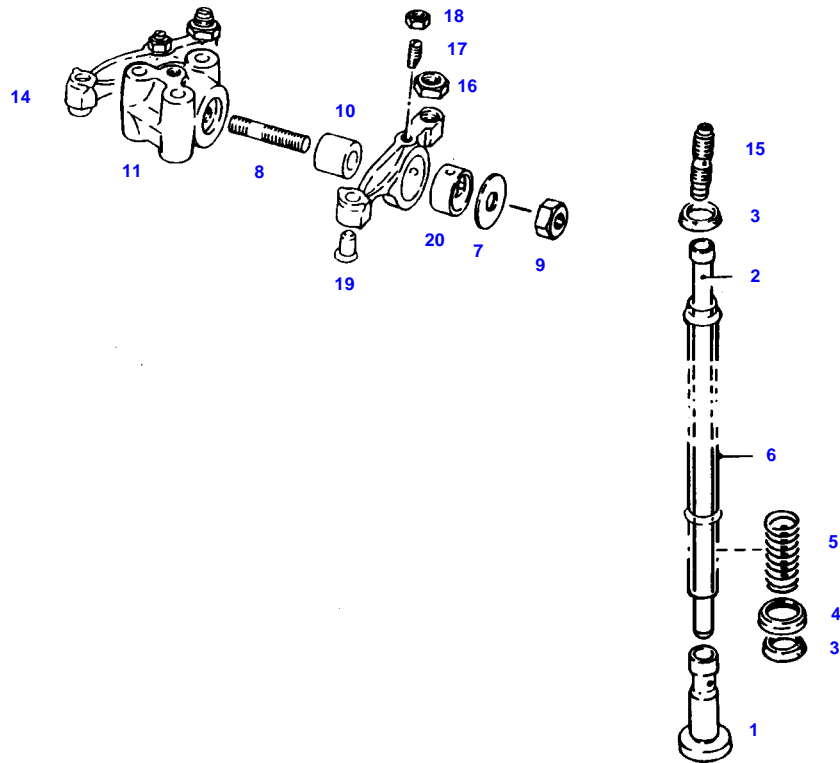
GT 395GT (395/00101-99999)

F395000

CAMSHAFT

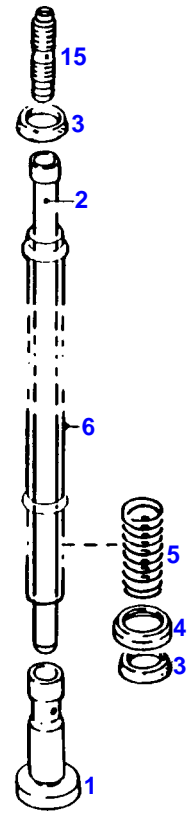
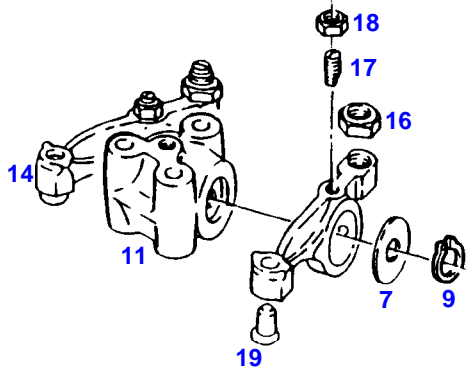
Page01-0023

Item	Part Number	Qty	Description Comments
1	72344423	1	CAMSHAFT
2	72324337	1	DISC
3			NOT USED



5463

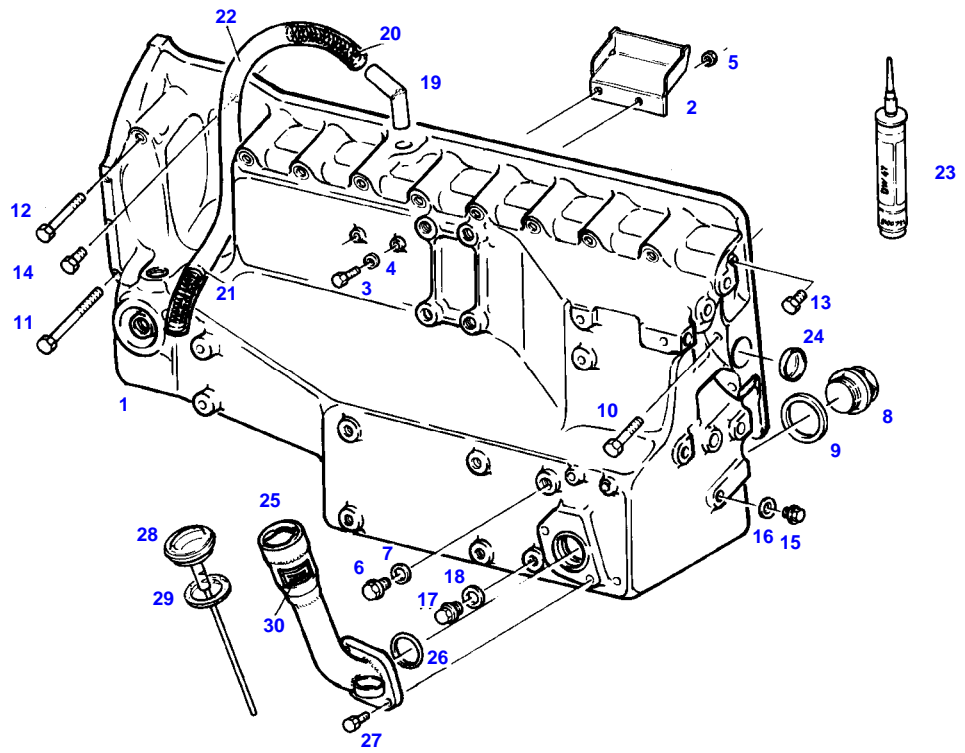
Item	Part Number	Qty	Description Comments	Technical Specification
			--> 395/7000	
1	72324362	12	VALVE TAPPET	
2	72324428	12	BUMPER	
3	72324064	24	SEALING WASHER	
4	72324363	12	CAP	
5	72324360	12	COIL SPRING	
6	72324364	12	SHIELD PIPE	
7	72323681	12	DISC	
8	72313777	12	STUD BOLT	DIN 939 M10X35-8.8
9	72313272	12	NUT	DIN 934 M10-8A3L
10	72324161	12	BUSH	
11	72324359	6	ROCKER ARM SUPPORT	
14	72324142	12	ROCKER ARM ><15-20	
15	72324333	12	ADJUSTING SCREW	
16	72372876	12	NUT	DIN 936 M10X1-17H
17	72324355	12	OIL NOZZLE	
18	72313266	12	NUT	DIN 934 M6-8A3L
19	72324137	12	CLEVIS PIN	
20	72324160	12	BUSH	



10789

Item	Part Number	Qty	Description Comments	Technical Specification
			<-- 395/7001	
1	72324362	12	VALVE TAPPET	
2	72324428	12	BUMPER	
3	72324064	24	SEALING WASHER	
4	72324363	12	CAP	
5	72324360	12	COIL SPRING	
6	72324364	12	SHIELD PIPE	
7	72344293	12	DISC	
9	72375564	12	LOCK WASHER	DIN 471-21X1,2
11	72415982	6	ROCKER ARM SUPPORT	
14	72344295	12	ROCKER ARM ><15-19 <-- F149.200.410.030	
15	72324333	12	ADJUSTING SCREW	
16	72372876	12	NUT	DIN 936 M10X1-17H
17	72324355	12	OIL NOZZLE	
18	72313266	12	NUT	DIN 934 M6-8A3L
19	72324137	12	CLEVIS PIN	

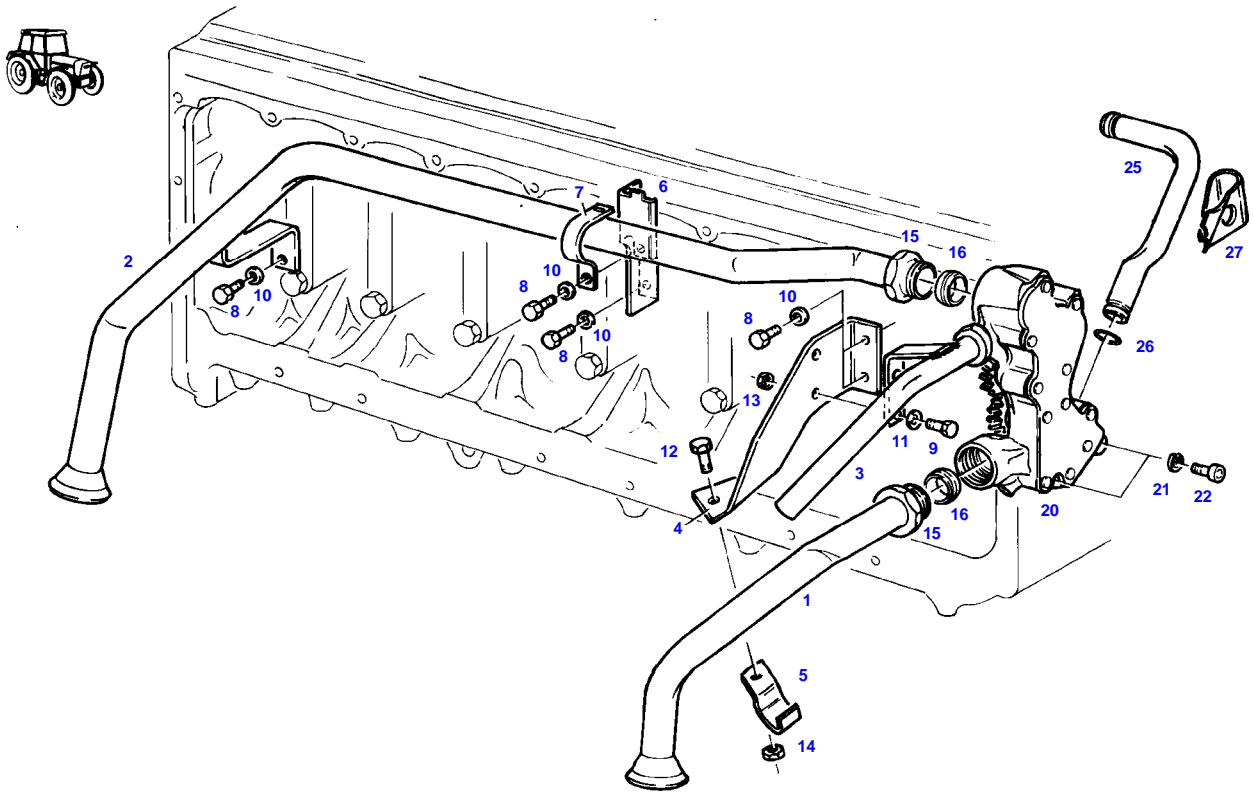
GT 395GT (395/00101-99999)
6611



6611

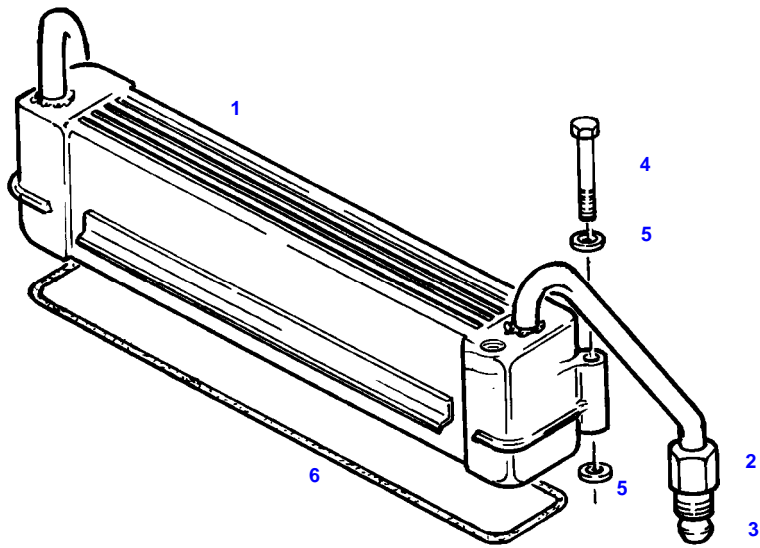
Item	Part Number	Qty	Description Comments	Technical Specification
1	72410223	1	OIL PAN --> 395/2012 <> X487 528 106 11X <>	
	72374146	9	HEXAGONAL HEAD BOLT	DIN 931-M8X95-10.9-A3L
	72315656	11	HEXAGONAL HEAD BOLT	DIN 933-M8X30-10.9
2	72407981	1	BAFFLE PLATE	
3	72315657	2	HEXAGONAL HEAD BOLT	DIN 933 M8 X 30-8.8A3L
4	72315086	2	SEALING WASHER	DIN 7603 A8X11,5-CU
5	72313268	2	NUT	DIN 934 M8-8A3L
6	72315800	1	SCREW	DIN7604 AM16X1,5-ST-A3L
7	72315097	1	SEALING WASHER	DIN 7603 A16X20-CU
8	72315453	1	SCREW	DIN 910 M48X1,5-ST
9	72315109	1	SEALING WASHER	DIN 7603 A48X55-CU
10	72315534	2	HEXAGONAL HEAD BOLT	DIN 931 M8 X 70-8.8
11	72374149	3	HEXAGONAL HEAD BOLT	DIN 931 M8X110-8.8
12	72315525	9	HEXAGONAL HEAD BOLT --> 395/2012	DIN 931 M8 X 90-8.8A3L
	72374146	9	HEXAGONAL HEAD BOLT <-- 395/2013	DIN 931-M8X95-10.9-A3L
13	72315654	12	HEXAGONAL HEAD BOLT --> 395/2012	DIN 933 M8X28-8.8A3L
	72315654	2	HEXAGONAL HEAD BOLT <-- 395/2013	DIN 933 M8X28-8.8A3L
	72315656	11	HEXAGONAL HEAD BOLT <-- 395/2013	DIN 933-M8X30-10.9
14	72315657	1	HEXAGONAL HEAD BOLT	DIN 933 M8 X 30-8.8A3L
15	72315438	1	PLUG SCREW	DIN 908 M14X1,5-ST
16	72315094	1	SEALING WASHER	DIN 7603 A14X18-CU
17	72315442	2	PLUG	DIN 908 M22X1,5-ST
18	72315101	2	SEALING WASHER	DIN 7603 A22X27-CU
19	72363802	1	PIPE BEND	
20	72316510	1	COMPRESSION SPRING	
21	72407980	1	COMPRESSION SPRING	
22	72436284	1	HOSE 1X 700MM CUT TO LENGTH	L=1120 FWN65912-19X3-PVC-W-G
	72316913	2	CABLE STRAP B360X7,5	FWN 66650 B360X7,5-SW
23	72311273	1	SEALING COMPOUND	TEROST-63S
24	72377223	1	COVER	DIN 443-42
25	72363801	1	OIL FILLER NECK	
26	72376547	1	O-RING	44,2X3-FPM 70 FWN56402
27	72315679	2	HEXAGONAL HEAD BOLT	DIN 933 M10X20-8.8A3L
28	72350488	1	DIPSTICK ><29	
29	72344331	1	RUBBER SEAL	
30	72312910	1	DECAL	

GT 395GT (395/00101-99999)
6615



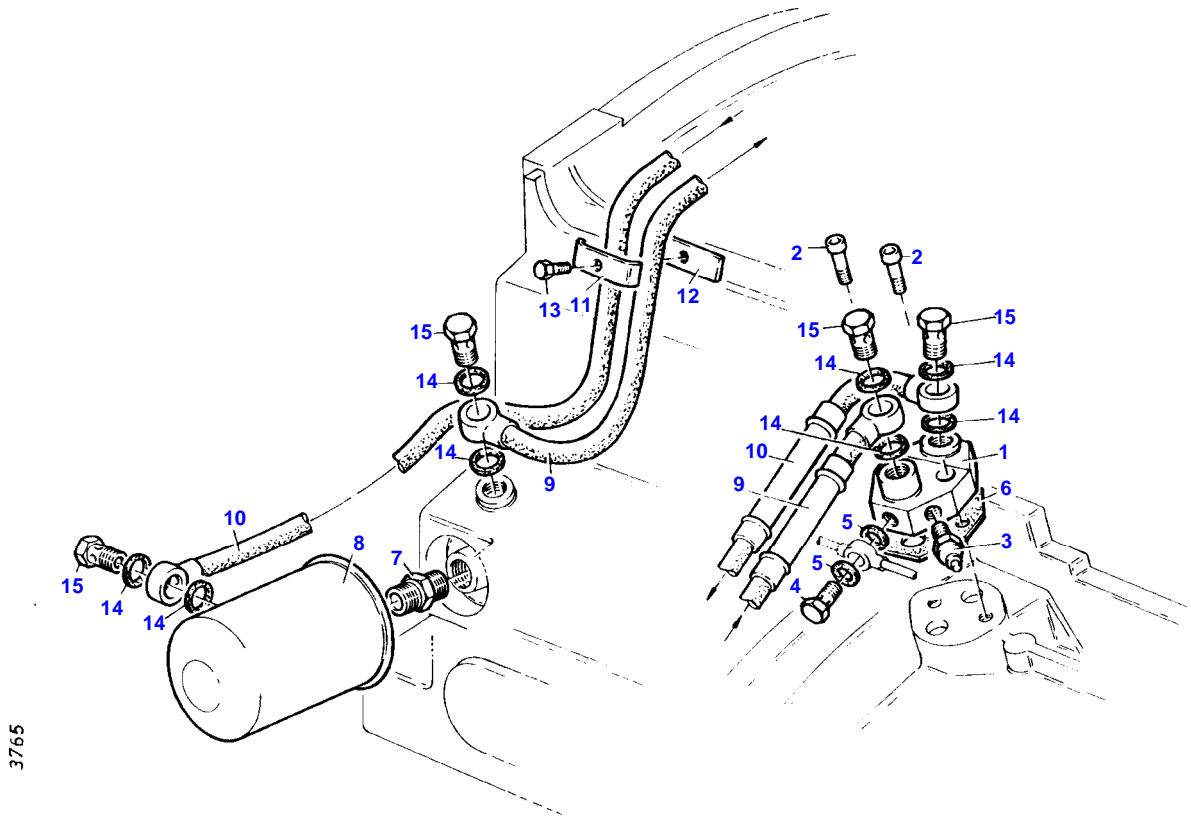
6615

Item	Part Number	Qty	Description Comments	Technical Specification
1	72344367	1	SUCTION PIPE	
2	72344368	1	SUCTION LINE	
3	72344369	1	RETURN PIPE	
4	72344370	1	RETAINER	
5	72344371	1	PIPE CLAMP	
6	72344372	1	CONSOLE	
7	72344373	1	PIPE CLAMP	
8	72315642	3	HEXAGONAL HEAD BOLT	DIN 933 M8 X 16-8.8A3L
9	72315650	1	HEXAGONAL HEAD BOLT	DIN 933 M8 X 20-8.8A3L
10	72311788	4	DISC	DIN 125-8,4-ST.A3L
11	72323678	1	DISC	
12	72315679	1	HEXAGONAL HEAD BOLT	DIN 933 M10X20-8.8A3L
13	72313268	1	NUT	DIN 934 M8-8A3L
14	72313272	1	NUT	DIN 934 M10-8A3L
15	72344374	2	UNION SCREW	
16	72344375	2	DOUBLE CONICAL RING	
20	72344365	1	LUBRICATING OIL PUMP	
21	72315063	2	SPLIT WASHER	FWN65237-8-A3L
22	72374027	2	SOCKET HEAD BOLT	DIN 912 M8X60-10.9
25	72324228	1	BOOST PIPE	
26	72323644	2	O-RING	
27	72324088	1	CLIP PIN	



6616

Item	Part Number	Qty	Description Comments	Technical Specification
1	72486323	1	LUBRICATION OIL COOLER	
2	72344380	2	CONNECTING NUT	
3	72323699	2	DOUBLE CONICAL RING	
4	72315539	4	HEXAGONAL HEAD BOLT	DIN 931 M8X80-8.8 A3L
5	72323665	6	DISC	
6	72344381	1	SEALING WASHER	



Item	Part Number	Qty	Description Comments	Technical Specification
1	72403275	1	ADAPTER	
2	72315501	2	SOCKET HEAD BOLT	DIN 912 M10X50-8.8
3	72380896	1	OIL PRESSURE SENSOR	
4	72315807	1	BANJO BOLT	DIN 7643-8-3-A3L
5	72315087	2	SEALING WASHER	DIN 7603 A8X14-CU
6	72324224	1	SEAL	
7	72324068	1	DOUBLE NIPPLE	
8	72311026	1	OIL FILTER	
9	72324404	1	OIL LINE	
10	72324403	1	OIL LINE	
11	72324405	1	CLIP	
12	72324406	1	PLATE	
13	72315635	1	HEXAGONAL HEAD BOLT	DIN 933 M6X35-8.8A3L
14	72315104	8	SEALING WASHER	DIN 7603 A26X31-CU
15	72315811	4	BANJO BOLT	DIN 7643-22-3-A3L

Thank you so much for reading.
Please click the “Buy Now!”
button below to download the
complete manual.



After you pay.

You can download the most
perfect and complete manual in
the world immediately.

Our support email:

ebooklibonline@outlook.com