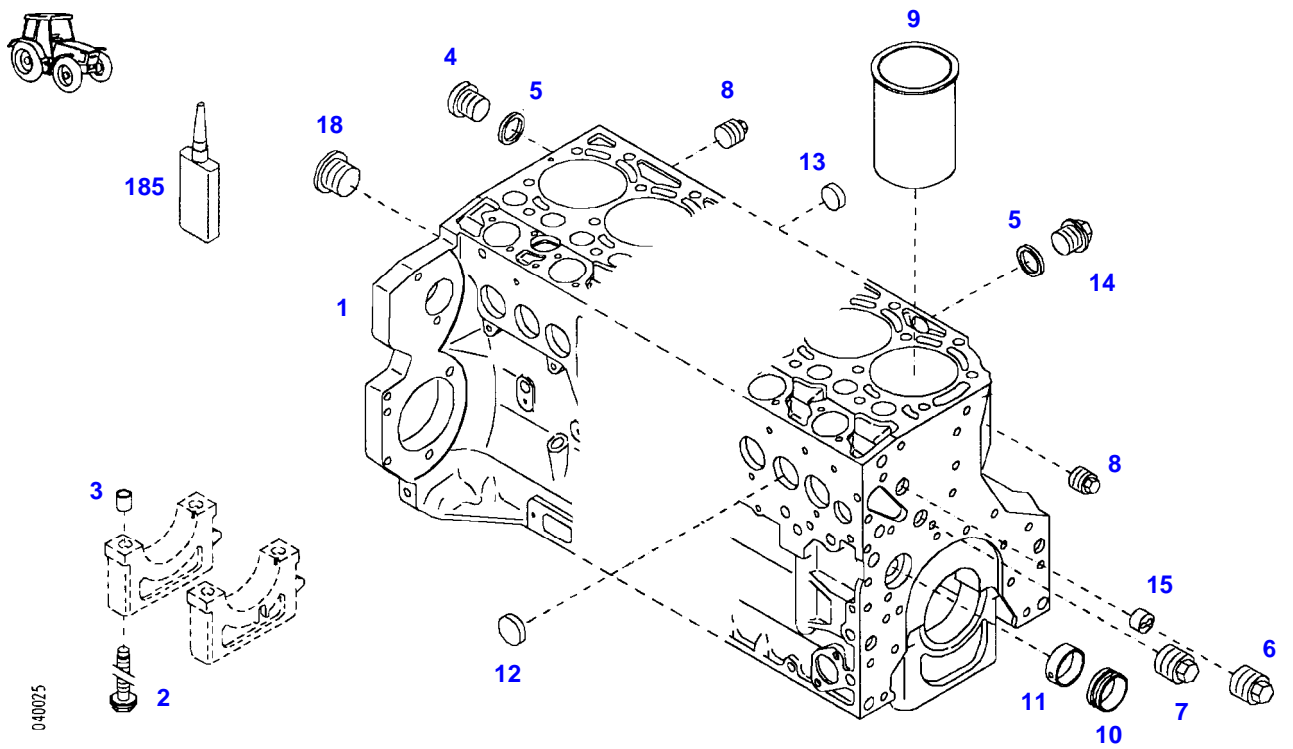


Page Number	Page Title	Page Reference
01-000-TOC	ENGINE, FUEL AND EXHAUST SYSTEM	01-000-TOC
02-000-TOC	AXLES	02-000-TOC
03-000-TOC	STEERING SYSTEM	03-000-TOC
04-000-TOC	DRIVE TRAIN SYSTEM	04-000-TOC
05-000-TOC	COMPRESSED AIR SYSTEM	05-000-TOC
06-000-TOC	HYDRAULIC SYSTEM	06-000-TOC
07-000-TOC	ELECTRICAL SYSTEM	07-000-TOC
08-000-TOC	CAB	08-000-TOC
09-000-TOC	AIR CONDITIONING AND HEATING SYSTEM	09-000-TOC
10-000-TOC	CHASSIS	10-000-TOC
11-000-TOC	WHEELS	11-000-TOC
12-000-TOC	IMPLEMENT LIFT SYSTEM FRONT	12-000-TOC
13-000-TOC	IMPLEMENT LIFT SYSTEM REAR	13-000-TOC
14-000-TOC	FRONT/REAR LOADERS	14-000-TOC
15-000-TOC	ACCESSORIES	15-000-TOC

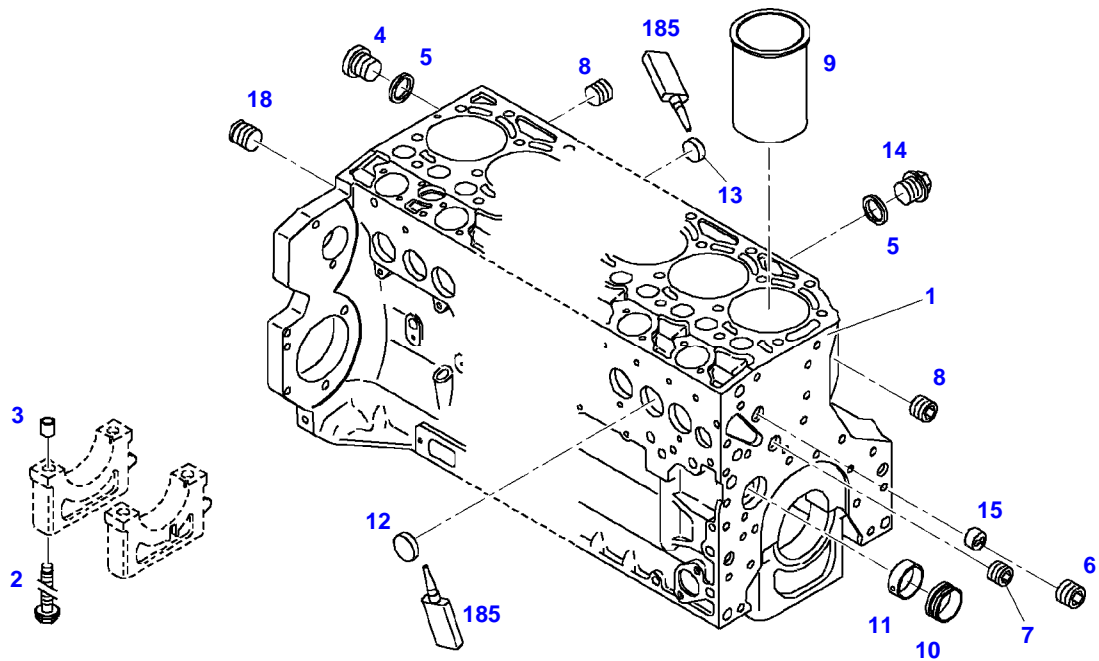
FARMER 410 (410/00101-99999)
40025



0-40025

Item	Part Number	Qty	Description Comments	Technical Specification
			<-- 410/0101 --> 410/0300 <-- 410/1001 ENGINE NUMBER --> 606246	
	72415416	1	ENGINE ENGINE NEW <-- Z410.201.010.020 ENGINE EXCHANGE	BF04M2013C
	72604528	1	REMANUFACTURED SHORT BLOCK ENGINE	
1	72416225	1	CRANKCASE >>2-15,18	
2	72416467	10	HEXAGONAL HEAD BOLT	
3	72344342	10	ADAPTER BUSH	
4	72315438	1	PLUG SCREW	DIN 908 M14X1,5-ST
5	72315095	3	SEALING WASHER	DIN 7603 A14X20-CU
6	72325319	1	PLUG M30X1,5	
7	72325321	1	PLUG M22X1,5	
8	72325322	2	PLUG M14X1,5	
9	72416468	4	CYLINDER LINER	
10	72416469	4	BEARING BUSHING	
11	72416470	1	BEARING BUSHING	
12	72325325	6	CORE HOLE PLUG	
13	72325326	4	CORE HOLE PLUG	
14	72315799	2	PLUG	DIN 7604 AM14X1,5-A3L
15	72325327	1	GUIDE SLEEVE	
18	72416465	1	PLUG M22X1,5	
185	72325403	1	SAFE.LOCK AGENT	

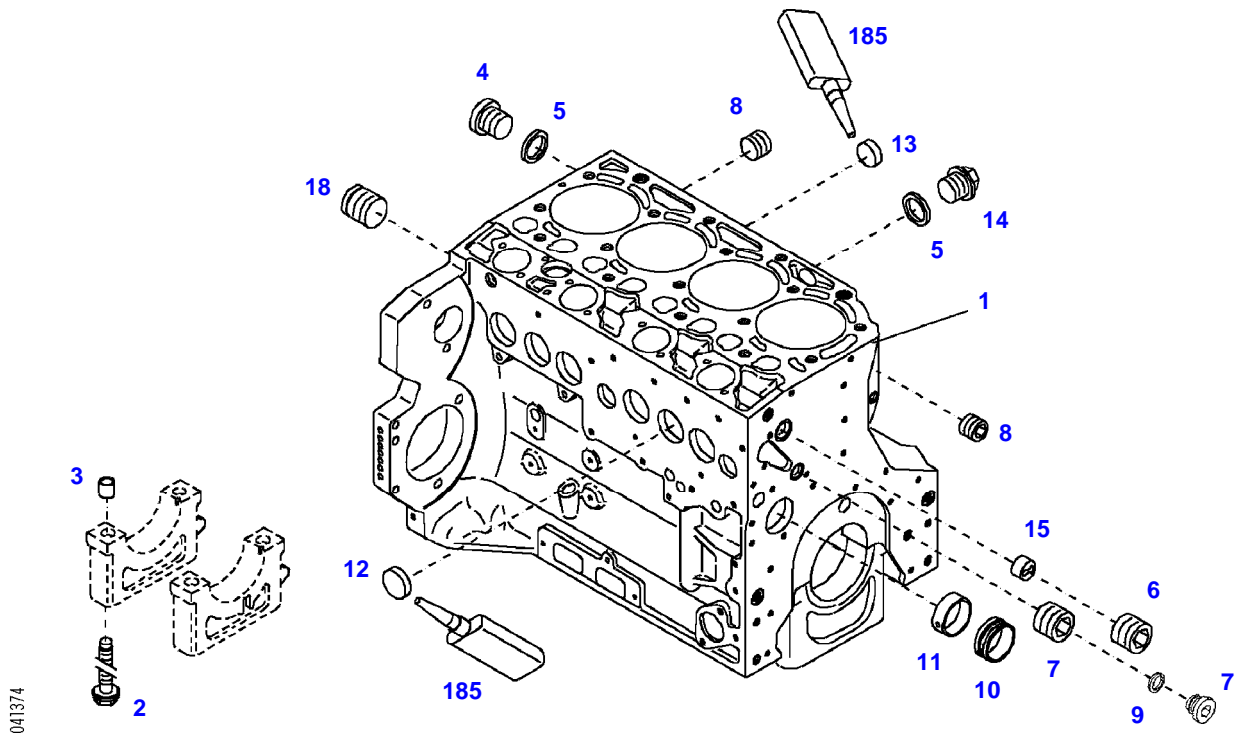
FARMER 410 (410/00101-99999)
35064



035064

Item	Part Number	Qty	Description Comments	Technical Specification
			ENGINE NUMBER <-- 606247 --> 410/3566	
	72415416	1	ENGINE ENGINE NEW <-- Z410.201.010.020 ENGINE EXCHANGE	BF04M2013C
	72604528	1	REMANUFACTURED SHORT BLOCK ENGINE	
1	72424466	1	CRANKCASE ><2-15,18	
2	72416467	10	HEXAGONAL HEAD BOLT	
3	72344342	10	ADAPTER BUSH	
4	72315438	1	PLUG SCREW	DIN 908 M14X1,5-ST
5	72315095	3	SEALING WASHER	DIN 7603 A14X20-CU
6	72325319	1	PLUG M30X1,5	
7	72325321	1	PLUG M22X1,5	
8	72429347	2	SCREW M14X1,5	M14X1,5
9	72416468	4	CYLINDER LINER	
10	72416469	4	BEARING BUSHING	
11	72416470	1	BEARING BUSHING	
12	72325325	6	CORE HOLE PLUG	
13	72325326	4	CORE HOLE PLUG	
14	72315799	2	PLUG	DIN 7604 AM14X1,5-A3L
15	72325327	1	GUIDE SLEEVE	
18	72431135	1	LOCKING PLUG M22X1,5	
185	72325403	1	SAFE.LOCK AGENT	

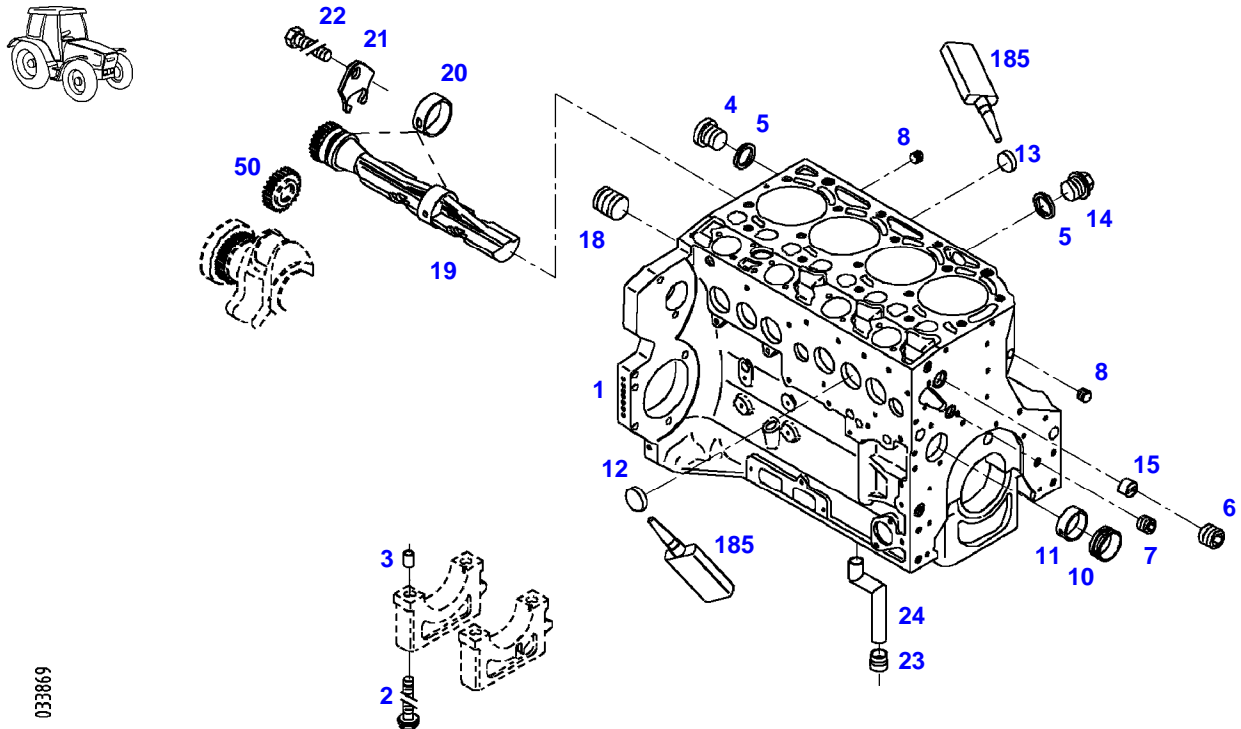
FARMER 410 (410/00101-99999)
41374



041374

Item	Part Number	Qty	Description Comments	Technical Specification
			<-- 410/0301 --> 410/0400 <-- 410/3567 ENGINE NUMBER --> 860751	
	72426999	1	ENGINE ENGINE NEW FLYWHEEL MUST BE CHANGED IF A NEW ENGINE IS SUPPLIED <-- Z410.202.010.010 ENGINE EXCHANGE WHEN ORDERING ALWAYS INDICATE ENGINE NO. AND KILOWATT RATING	BF04M2013C
	72604526	1	REMANUFACTURED SHORT BLOCK ENGINE	
1	72431647	1	CRANKCASE ><2-15,18 <-- F412.201.210.100	
2	72416467	10	HEXAGONAL HEAD BOLT	
3	72344342	10	ADAPTER BUSH	
4	72315438	1	PLUG SCREW	DIN 908 M14X1,5-ST DIN 7603 A14X20-CU
5	72315095	3	SEALING WASHER	
6	72325319	1	PLUG M30X1,5	
7	72325321	1	PLUG M22X1,5 ENG.NO. --> 10549999	
	72455559	1	PLUG SCREW ENG.NO. <-- 10550000	
8	72429347	2	SCREW M14X1,5	M14X1,5
9	72455567	1	SEALING WASHER ENG.NO. <-- 10550000	DIN 7603 D22X27-CU
10	72416469	4	BEARING BUSHING	
11	72416470	1	BEARING BUSHING	
12	72325325	6	CORE HOLE PLUG	
13	72325326	4	CORE HOLE PLUG	
14	72315799	2	PLUG	DIN 7604 AM14X1,5-A3L
15	72325327	1	GUIDE SLEEVE	
18	72431135	1	LOCKING PLUG M22X1,5	
185	72325403	1	SAFE.LOCK AGENT	

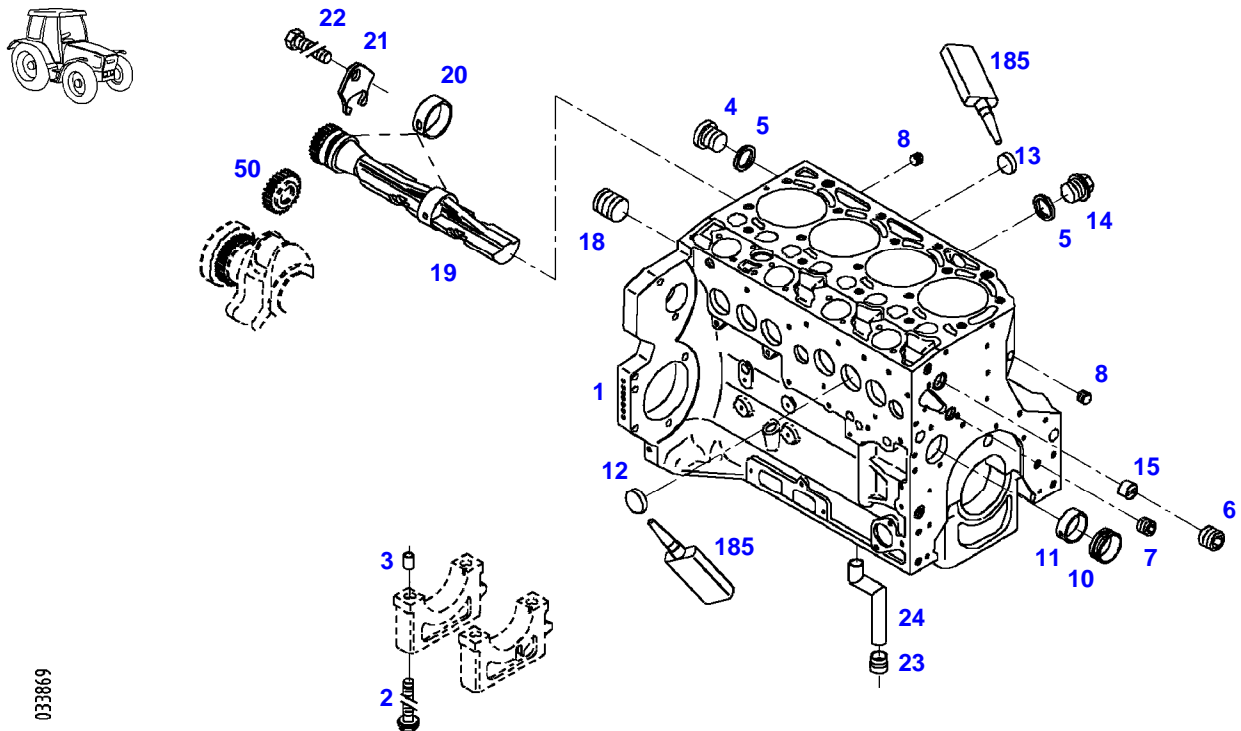
FARMER 410 (410/00101-99999)
33869



033869

Item	Part Number	Qty	Description Comments	Technical Specification
			ENGINE NUMBER <-- 860752 --> 1065823	
	72426999	1	ENGINE ENGINE NEW FLYWHEEL MUST BE CHANGED IF A NEW ENGINE IS SUPPLIED <-- Z410.202.010.010 ENGINE EXCHANGE WHEN ORDERING ALWAYS INDICATE ENGINE NO. AND KILOWATT RATING	BF04M2013C
	72604526	1	REMANUFACTURED SHORT BLOCK ENGINE	
1	72435954	1	CRANKCASE ><2-15,18,19-24	
2	72416467	10	HEXAGONAL HEAD BOLT	
3	72344342	10	ADAPTER BUSH	
4	72315438	1	PLUG SCREW	DIN 908
5	72315095	3	SEALING WASHER	M14X1,5-ST DIN 7603 A14X20-CU
6	72325319	1	PLUG 30X1,5	
7	72325321	1	PLUG 22X1,5	
8	72429347	2	SCREW 14X1,5	M14X1,5
10	72416469	4	BEARING BUSHING	
11	72416470	1	BEARING BUSHING	
12	72325325	6	CORE HOLE PLUG	
13	72325326	4	CORE HOLE PLUG	
14	72315799	2	PLUG	DIN 7604 AM14X1,5-A3L
15	72325327	1	GUIDE SLEEVE	
18	72431135	1	LOCKING PLUG M22X1,5	
19	72429813	2	GANG SHAFT	
20	72325339	4	BUSH	
21	72415943	2	THRUST WASHER	
22	72423137	2	HEXAGONAL HEAD BOLT M8X16	
23	72420773	1	LOCKING PART	
24	72420774	1	LINE	
50				
185	72325403	1	SEE BALANCER GEARS SAFE.LOCK AGENT	

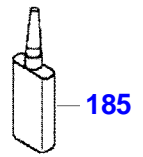
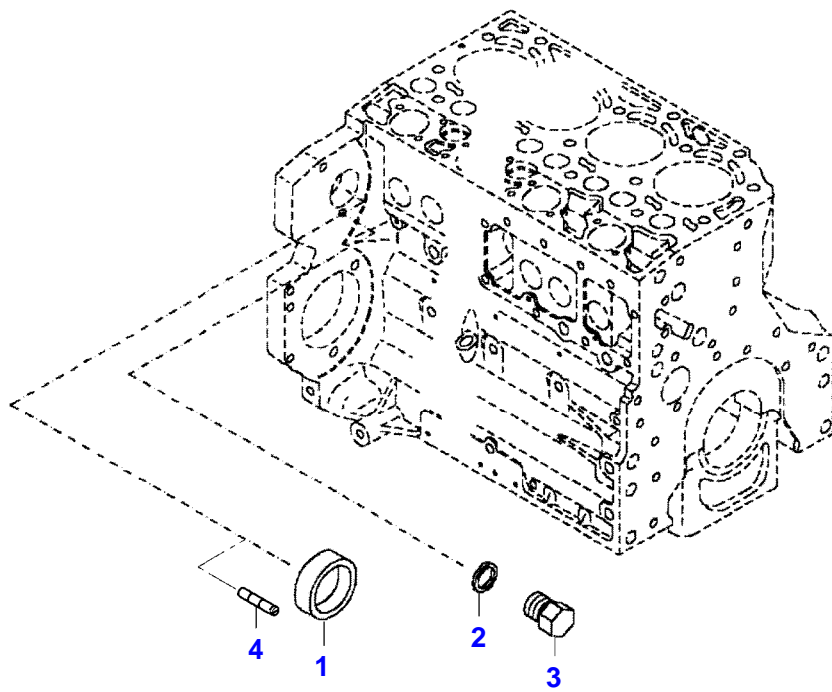
FARMER 410 (410/00101-99999)
33869



033869

Item	Part Number	Qty	Description Comments	Technical Specification
			ENGINE NUMBER <-- 1065824	
	72426999	1	ENGINE ENGINE NEW FLYWHEEL MUST BE CHANGED IF A NEW ENGINE IS SUPPLIED --> 410/5234 <-- 410/5236 --> 410/5236 <-- Z410.202.010.010 ENGINE EXCHANGE WHEN ORDERING ALWAYS INDICATE ENGINE NO. AND KILOWATT RATING	BF04M2013C
	72604526	1	REMANUFACTURED SHORT BLOCK ENGINE --> 410/5234 <-- 410/5236 --> 410/5236	
	72451248	1	ENGINE ENGINE NEW <-- 410/5235 --> 410/5235 <-- 410/5237 <-- Z410.202.010.011 ENGINE EXCHANGE	BF04M2013C
	72604526	1	REMANUFACTURED SHORT BLOCK ENGINE <-- 410/5235 --> 410/5235 <-- 410/5237	
1	72609289	1	CRANKCASE ><2-15,18-24	
2	72416467	10	HEXAGONAL HEAD BOLT	
3	72344342	10	ADAPTER BUSH	
4	72315438	1	PLUG SCREW	DIN 908
5	72315095	3	SEALING WASHER	M14X1,5-ST DIN 7603 A14X20-CU
6	72325319	1	PLUG 30X1,5	
7	72325321	1	PLUG 22X1,5	
8	72429347	2	SCREW 14X1,5	M14X1,5
10	72416469	4	BEARING BUSHING	
11	72416470	1	BEARING BUSHING	
12	72325325	6	CORE HOLE PLUG	
13	72325326	4	CORE HOLE PLUG	
14	72315799	2	PLUG	DIN 7604 AM14X1,5-A3L
15	72325327	1	GUIDE SLEEVE	
18	72431135	1	LOCKING PLUG	
19	72429813	2	GANG SHAFT	
20	72325339	4	BUSH	
21	72415943	2	THRUST WASHER	
22	72423137	2	HEXAGONAL HEAD BOLT M8X16	
23	72420773	1	LOCKING PART	
24	72420774	1	LINE	
50				
185	72325403	1	SEE BALANCER GEARS SAFE.LOCK AGENT	

FARMER 410 (410/00101-99999)
432327-M-1



432327-M-1

Fendt

FARMER 410 (410/00101-99999)

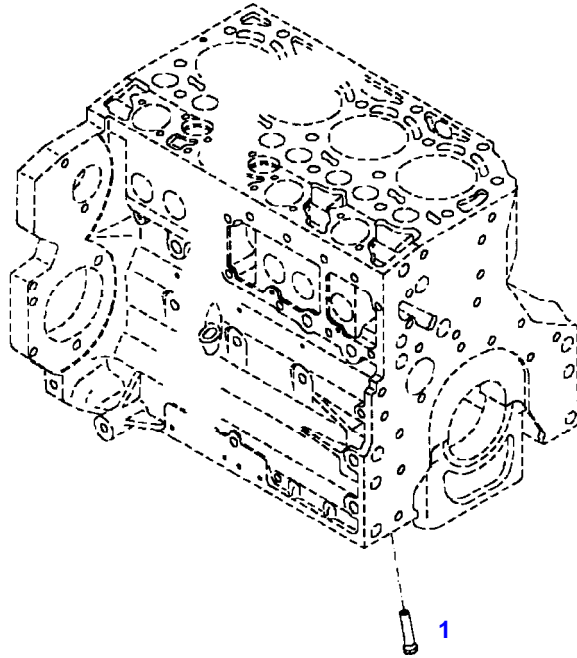
F410000

CRANKCASE

Page01-0006

Item	Part Number	Qty	Description Comments	Technical Specification
BLANKING PARTS				
1	72627515	1	CORE HOLE PLUG	
2	72315088	2	SEALING WASHER	DIN 7603 A10X13,5-CU
3	72323677	2	PLUG	
4	72631860	2	SLUG	
185	72325403	1	SAFE.LOCK AGENT	

FARMER 410 (410/00101-99999)
30094



030004

Fendt

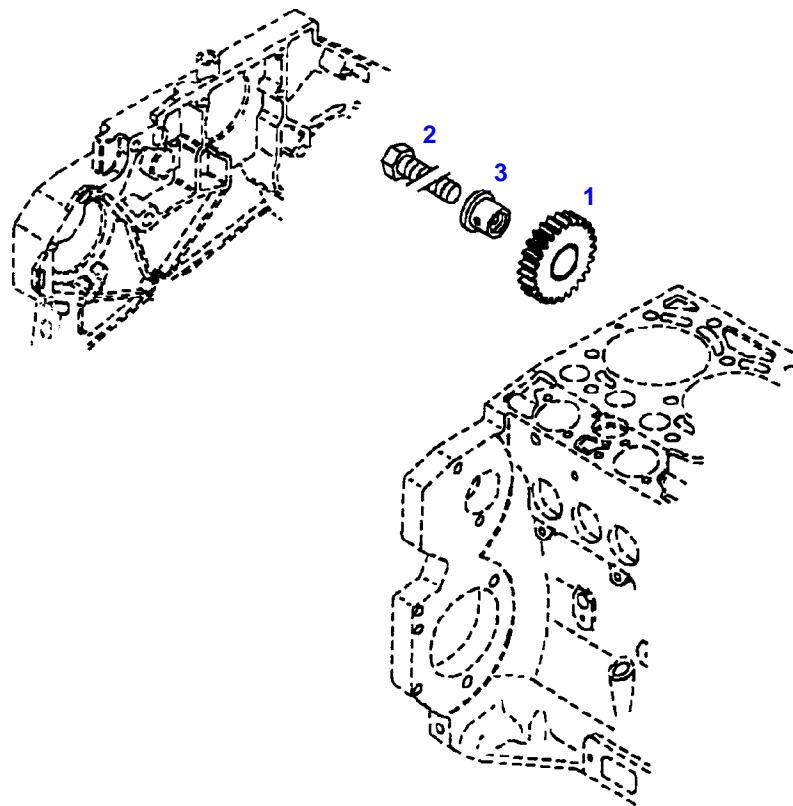
FARMER 410 (410/00101-99999)

F410000

CRANKCASE

Page01-0007

Item	Part Number	Qty	Description Comments
			PISTON COOL.NOZZLE
1	72415140	4	PISTON COOLING JET



12057

Fendt

FARMER 410 (410/00101-99999)

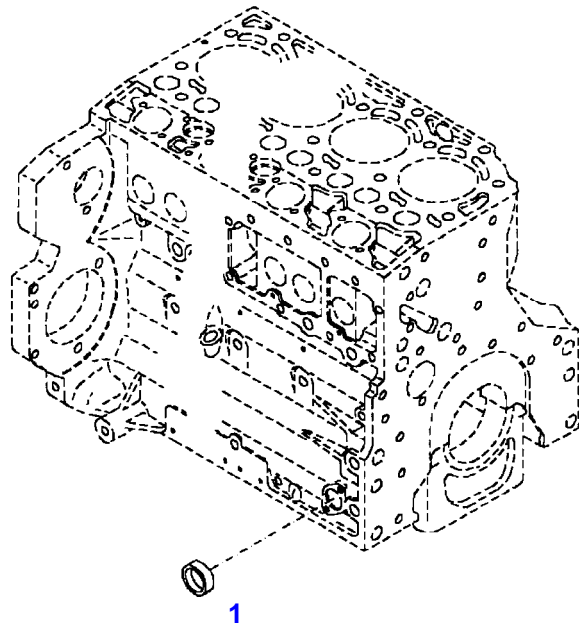
F410000

CRANKCASE

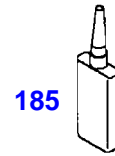
Page01-0008

Item	Part Number	Qty	Description Comments	Technical Specification
			INTERM. GEAR WHEEL	
1	72325335	1	GEAR WHEEL	
2	72315658	1	HEXAGONAL HEAD BOLT	DIN 933 M8X35-10.9
3	72325336	1	PIVOT	

FARMER 410 (410/00101-99999)
40194



040194



Fendt

FARMER 410 (410/00101-99999)

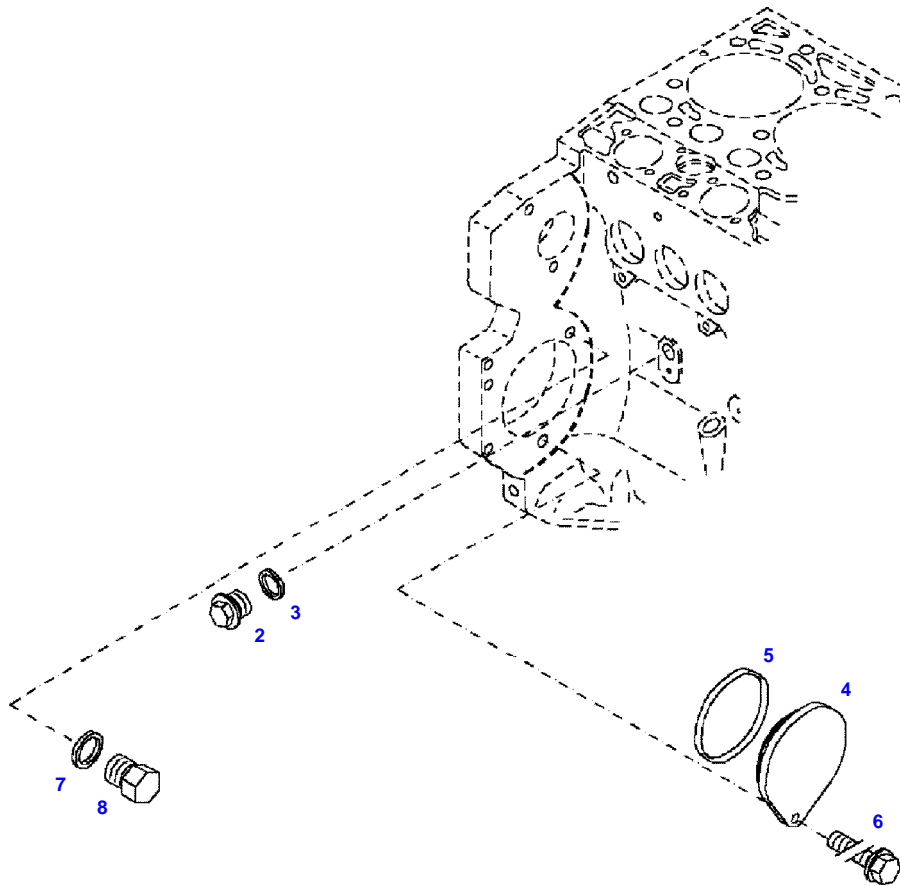
F410000

CRANKCASE

Page01-0009

Item	Part Number	Qty	Description Comments
			LOCKING PLUG
1	72325326	1	CORE HOLE PLUG
185	72325403	1	SAFE.LOCK AGENT

FARMER 410 (410/00101-99999)
F51551

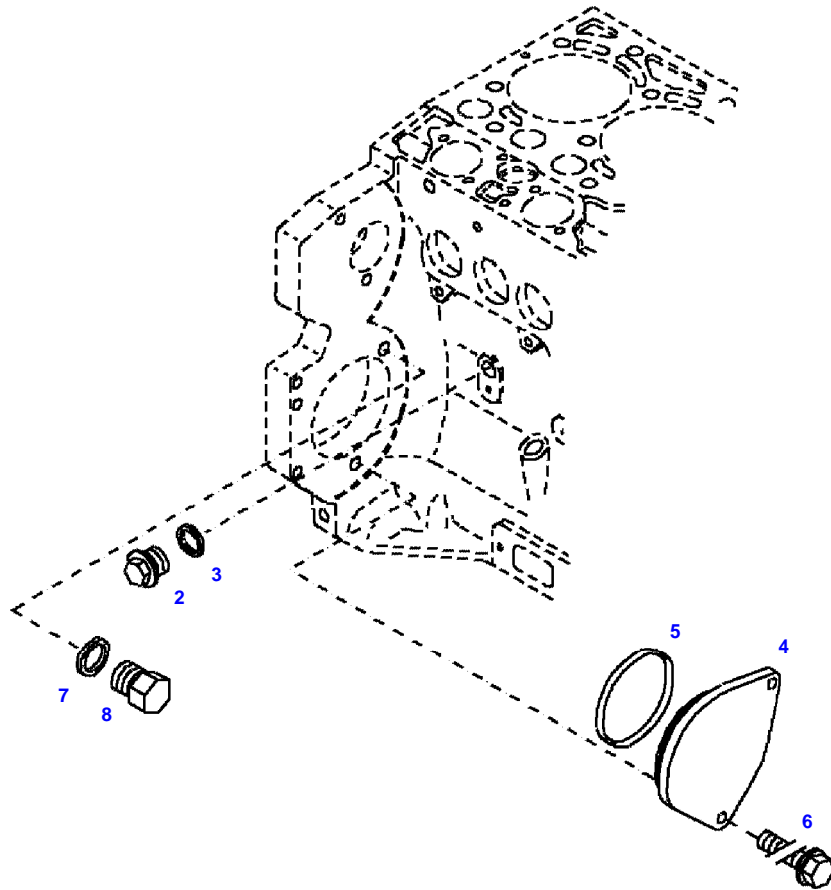


051551



Item	Part Number	Qty	Description Comments	Technical Specification
			BLANKING PARTS ENGINE NUMBER --> 825775	
2	72315799	1	PLUG NOT NEEDED WITH AIR BRAKE	DIN 7604 AM14X1,5-A3L
3	72315094	1	SEALING WASHER NOT NEEDED WITH AIR BRAKE	DIN 7603 A14X18-CU
4	72431648	1	COVER NOT NEEDED WITH AIR BRAKE	
5	72416472	1	SEAL 96X4MM NOT NEEDED WITH AIR BRAKE	
6	72621034	1	HEXAGONAL HEAD BOLT NOT NEEDED WITH AIR BRAKE	M10X20
7	72315088	1	SEALING WASHER	DIN 7603 A10X13,5-CU
8	72323677	1	PLUG	

FARMER 410 (410/00101-99999)
F51552

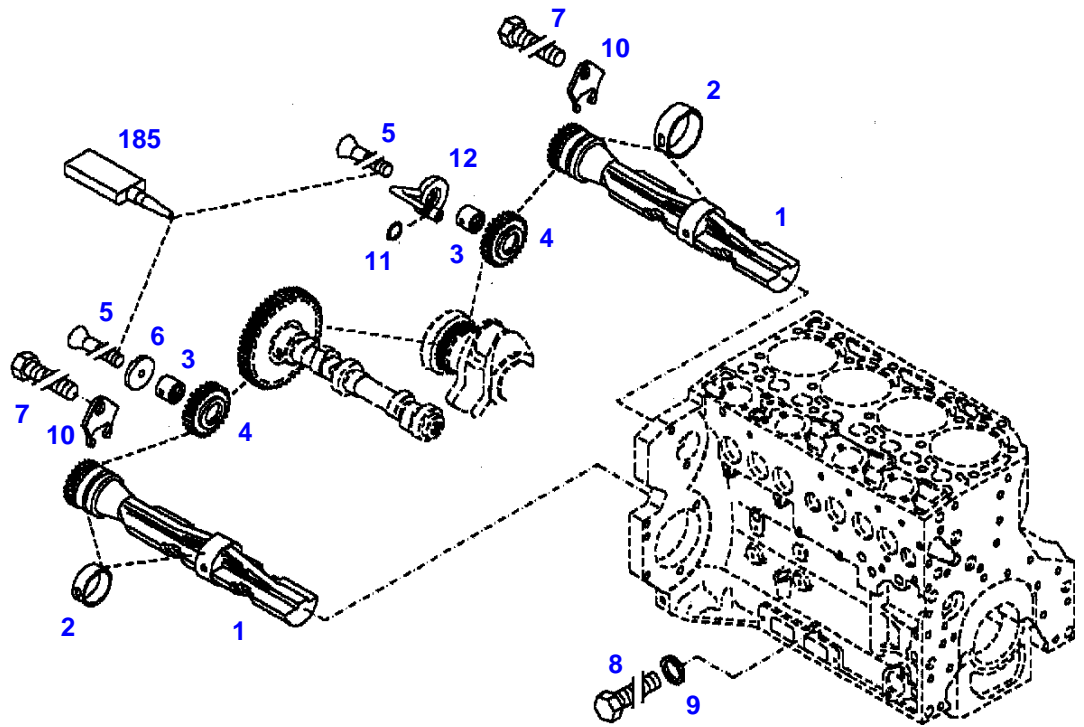


051552



Item	Part Number	Qty	Description Comments	Technical Specification
			BLANKING PARTS ENGINE NUMBER <-- 825776	
2	72315799	1	PLUG NOT NEEDED WITH AIR BRAKE	DIN 7604 AM14X1,5-A3L
3	72315094	1	SEALING WASHER NOT NEEDED WITH AIR BRAKE	DIN 7603 A14X18-CU
4	72431648	1	COVER NOT NEEDED WITH AIR BRAKE	
5	72416472	1	SEAL 96X4MM NOT NEEDED WITH AIR BRAKE	
6	72621034	2	HEXAGONAL HEAD BOLT NOT NEEDED WITH AIR BRAKE	M10X20
7	72315088	1	SEALING WASHER	DIN 7603 A10X13,5-CU
8	72323677	1	PLUG	

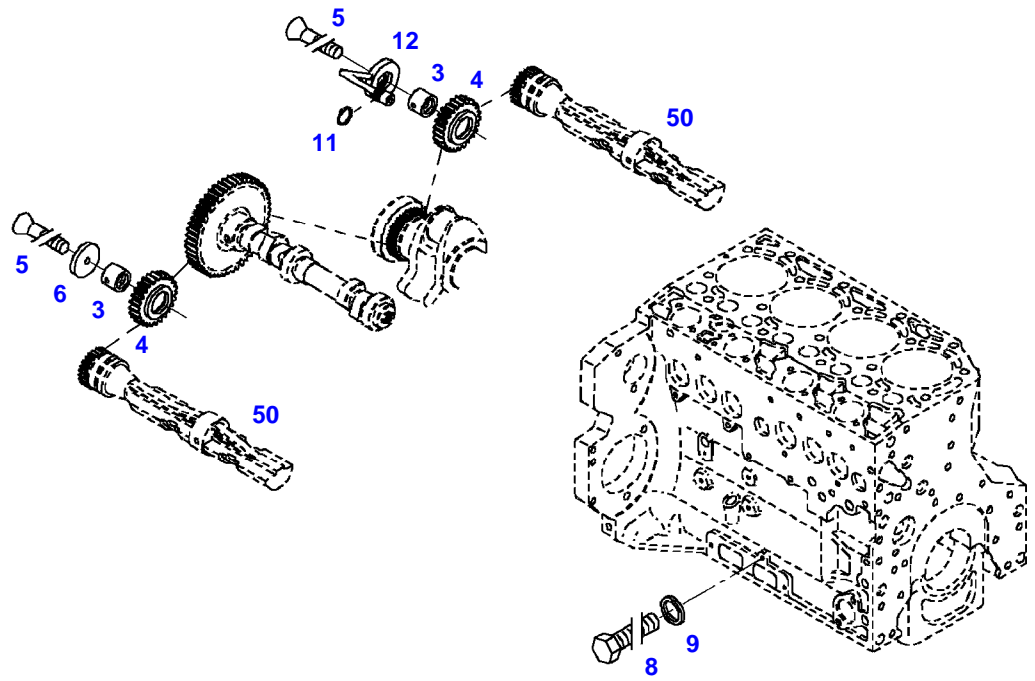
FARMER 410 (410/00101-99999)
31426



031426

Item	Part Number	Qty	Description Comments	Technical Specification
			ENGINE NUMBER --> 860751	
1	72429813	1	GANG SHAFT	
2	72325339	4	BUSH	
3	72415940	2	PIVOT	
4	72415941	2	GEAR WHEEL	
5	72423136	2	COUNTERSUNK CAPSCREW M8X45	
6	72415942	1	FIXING SHIM	
7	72423137	2	HEXAGONAL HEAD BOLT M8X16	
8	72315644	2	HEXAGONAL HEAD BOLT	DIN 933 M8X10-8.8A3L
9	72315086	2	SEALING WASHER	DIN 7603 A8X11,5-CU
10	72415943	2	THRUST WASHER	
11	72423138	1	SEAL 7X1,5MM	
12	72415945	1	PIVOT	
185	72381391	1	THREADLOCKER	LOCTITE 243 10ML

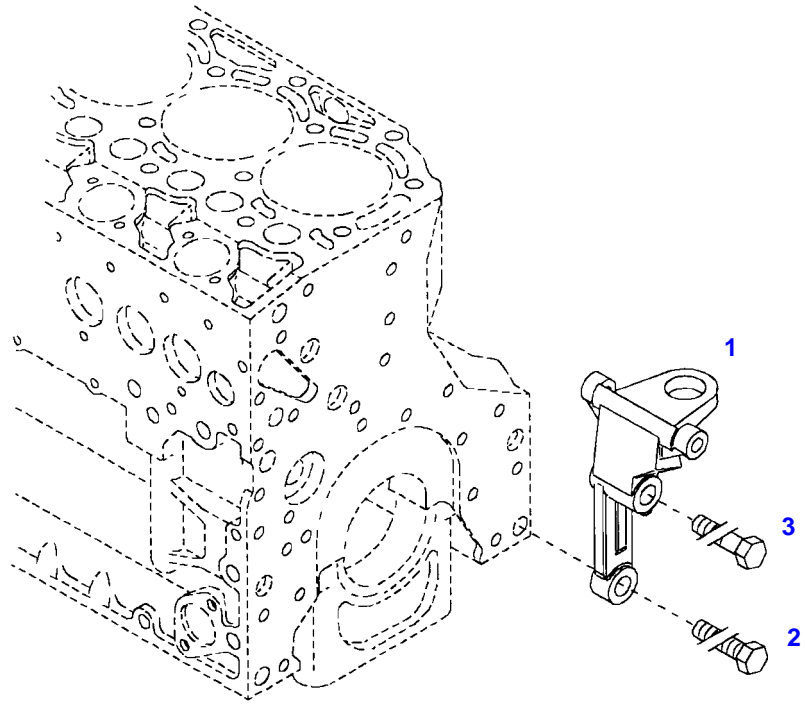
FARMER 410 (410/00101-99999)
33867



033867

Item	Part Number	Qty	Description Comments	Technical Specification
			ENGINE NUMBER <-- 860752	
3	72415940	2	PIVOT	
4	72415941	2	GEAR WHEEL	
5	72423136	2	COUNTERSUNK CAPSCREW M8X45	
6	72415942	1	FIXING SHIM	
8	72315644	2	HEXAGONAL HEAD BOLT	DIN 933 M8X10-8.8A3L
9	72315087	2	SEALING WASHER	DIN 7603 A8X14-CU
11	72423138	1	SEAL 7X1,5MM	
12	72415945	1	PIVOT	
50			SEE CRANKCASE	

FARMER 410 (410/00101-99999)
40029



040029

Thank you so much for reading.
Please click the “Buy Now!”
button below to download the
complete manual.



After you pay.

You can download the most
perfect and complete manual in
the world immediately.

Our support email:

ebooklibonline@outlook.com