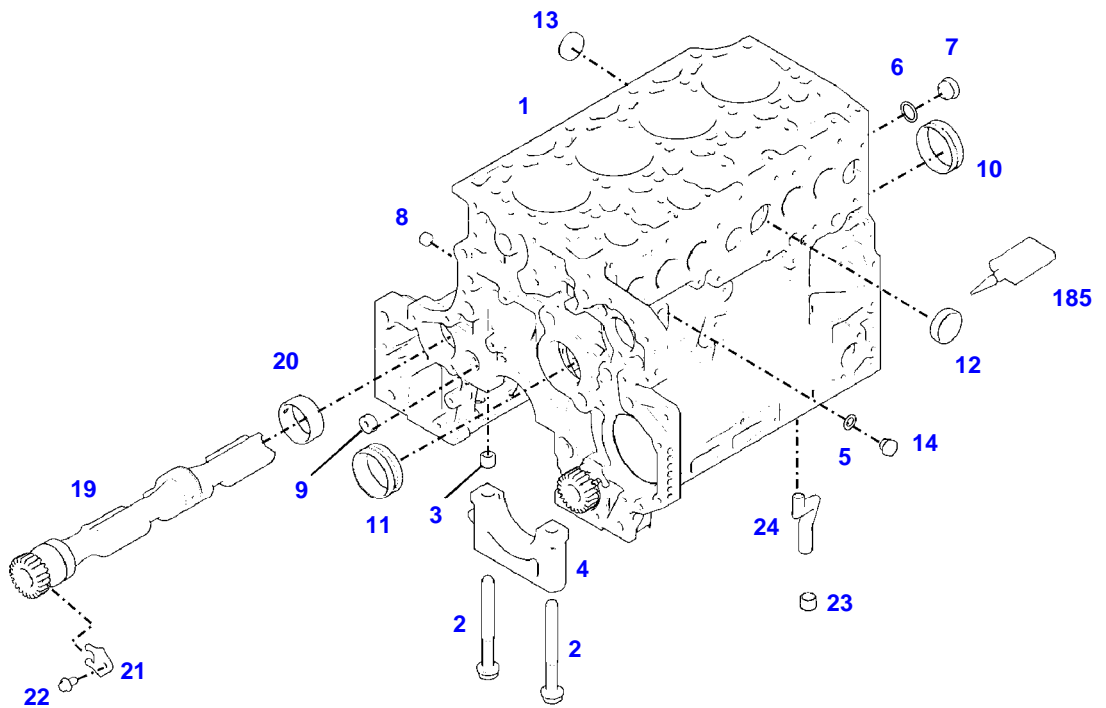


Page Number	Page Title	Page Reference
01-000-TOC	ENGINE, FUEL AND EXHAUST SYSTEM	01-000-TOC
02-000-TOC	AXLES	02-000-TOC
03-000-TOC	STEERING SYSTEM	03-000-TOC
04-000-TOC	DRIVE TRAIN SYSTEM	04-000-TOC
05-000-TOC	COMPRESSED AIR SYSTEM	05-000-TOC
06-000-TOC	HYDRAULIC SYSTEM	06-000-TOC
07-000-TOC	ELECTRICAL SYSTEM	07-000-TOC
08-000-TOC	CAB	08-000-TOC
09-000-TOC	AIR CONDITIONING AND HEATING SYSTEM	09-000-TOC
10-000-TOC	CHASSIS	10-000-TOC
11-000-TOC	WHEELS	11-000-TOC
12-000-TOC	IMPLEMENT LIFT SYSTEM FRONT	12-000-TOC
13-000-TOC	IMPLEMENT LIFT SYSTEM REAR	13-000-TOC
14-000-TOC	FRONT/REAR LOADERS	14-000-TOC
15-000-TOC	PRECISION FARMING SYSTEMS	15-000-TOC
16-000-TOC	ACCESSORIES	16-000-TOC

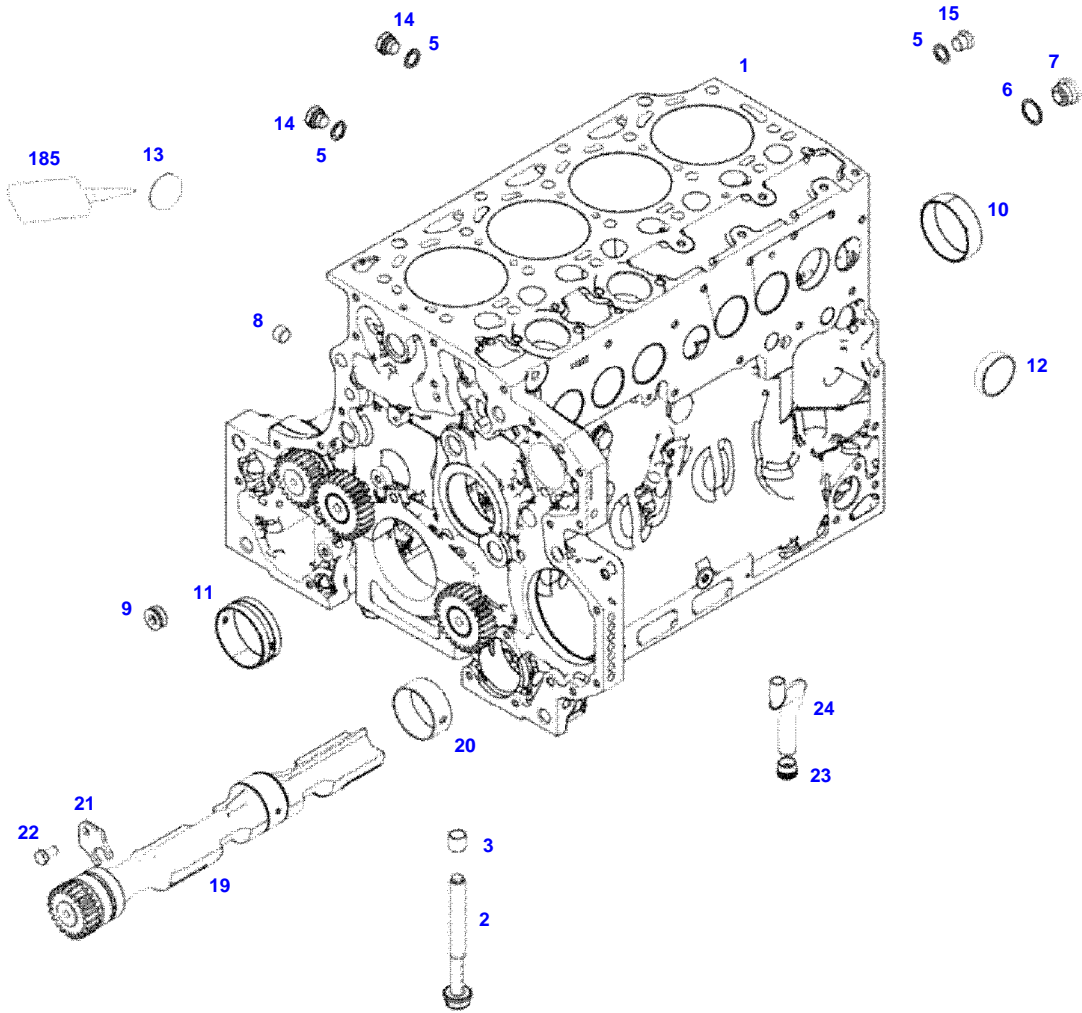
FENDT 516 VARIO SCR (416/00101-99999)
41473



041473

Item	Part Number	Qty	Description Comments	Technical Specification
			UP TO ENGINE S/N 11892330	
	72605672	1	ENGINE	TCD4.1L4
	72608990	1	REMANUFACTURED SHORT BLOCK ENGINE	
1	72605222	1	CRANKCASE ><2-14,19-24	
2	72416467	10	HEXAGONAL HEAD BOLT	
3	72344342	10	ADAPTER BUSH	
4			NOT AVAILABLE IN SINGLE PARTS	
5	72456134	2	SEALING WASHER	DIN 7603 D14X20-CU-VERZINNT
6	72439874	1	SEALING WASHER	
7	72455559	1	PLUG SCREW	
8	72429347	2	SCREW M14X1,5	M14X1,5
9	72431135	1	LOCKING PLUG	
10	72497417	4	BEARING BUSHING	
11	72491822	1	BEARING BUSHING	
12	72325325	6	CORE HOLE PLUG	
13	72325326	4	CORE HOLE PLUG	
14	72315799	2	PLUG	DIN 7604 AM14X1,5-A3L
19	72439854	2	GANG SHAFT	
20	72325339	4	BUSHING	
21	72415943	2	THRUST WASHER	
22	72423137	2	HEXAGONAL HEAD BOLT M8X16	
23	72420773	1	LOCKING PART	
24	72436713	1	LINE	
185	72381391	1	THREADLOCKER	LOCTITE 243 10ML

FENDT 516 VARIO SCR (416/00101-99999)
F061357

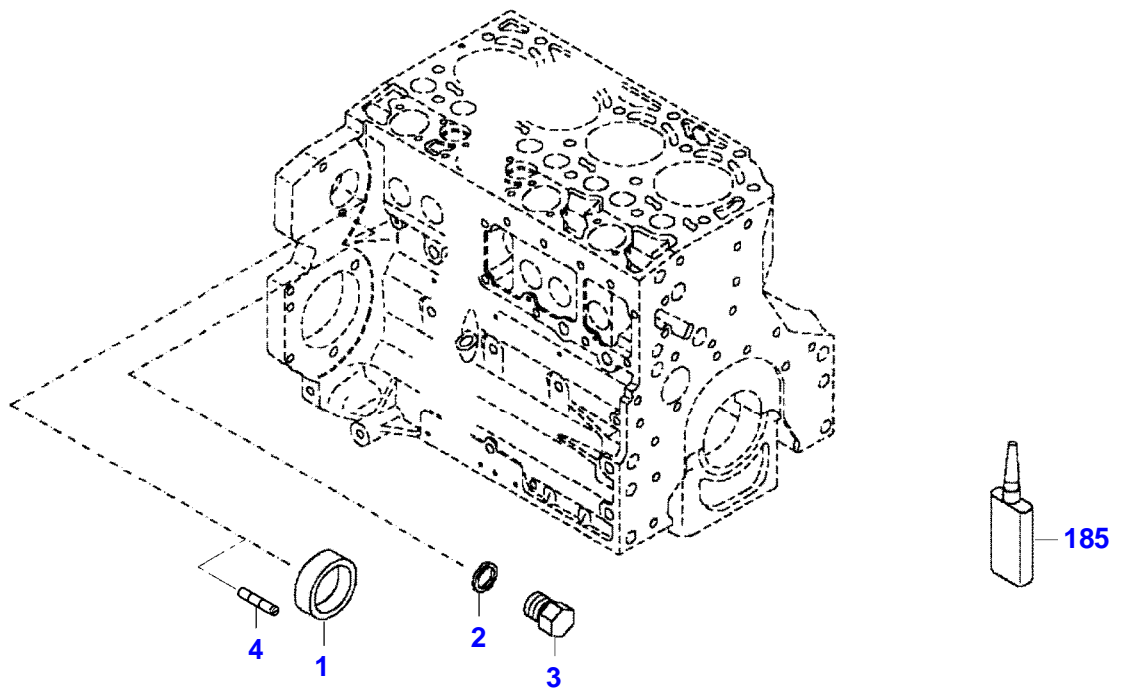


F061357



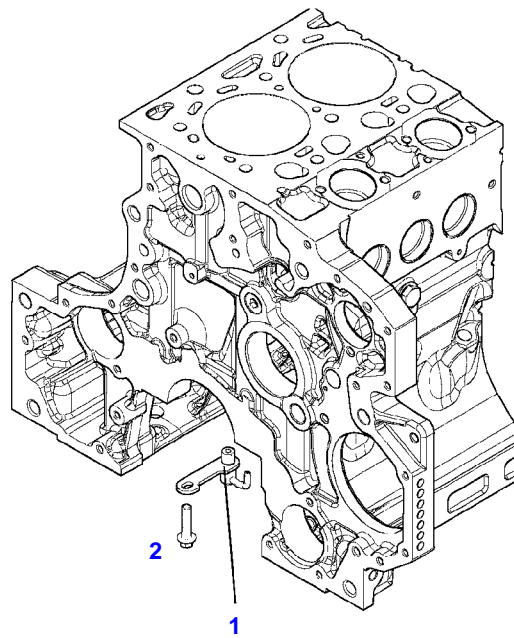
Item	Part Number	Qty	Description Comments	Technical Specification
			FROM ENGINE S/N 11892331	
	72605672	1	ENGINE	TCD4.1L4
	72626693	1	ENGINE	TCD4.1L4
			FLEXI ENGINE	
	72608990	1	REMANUFACTURED SHORT BLOCK ENGINE	
1	72627517	1	CRANKCASE ><2-15,19-24	
2	72416467	10	HEXAGONAL HEAD BOLT	
3	72344342	10	ADAPTER BUSH	
5	72439867	3	SEALING WASHER	DIN7603-14X18-CU-VERZ
6	72439874	1	SEALING WASHER	
7	72455559	1	PLUG SCREW	
8	72429347	2	SCREW M14X1,5	M14X1,5
9	72431135	1	LOCKING PLUG	
10	ACP0152940	1	FEMALE BEARING	
	72497417	4	BEARING BUSHING	
11	ACP0152930	1	FEMALE BEARING	
	72491822	1	BEARING BUSHING	
12	72325325	6	CORE HOLE PLUG	
13	72325326	4	CORE HOLE PLUG	
14	72315799	2	PLUG	DIN 7604 AM14X1,5-A3L
15	72315438	1	PLUG SCREW	DIN 908 M14X1,5-ST
19	72439854	2	GANG SHAFT	
20	72325339	4	BUSHING	
21	72415943	2	THRUST WASHER	
22	72423137	2	HEXAGONAL HEAD BOLT M8X16	
23	72420773	1	LOCKING PART	
24	72436713	1	LINE	
185	72381391	1	THREADLOCKER	LOCTITE 243 10ML

FENDT 516 VARIO SCR (416/00101-99999)
432327-M-1



432327-M-1

Item	Part Number	Qty	Description Comments	Technical Specification
BLANKING PARTS				
1	72627515	1	CORE HOLE PLUG	
2	72315088	2	SEALING WASHER	DIN 7603 A10X13,5-CU
3	72323677	2	PLUG	
4	72631860	2	THREADED PIN	
185	72325403	1	SAFE.LOCK AGENT	



041197

Fendt

FENDT 516 VARIO SCR (416/00101-99999)

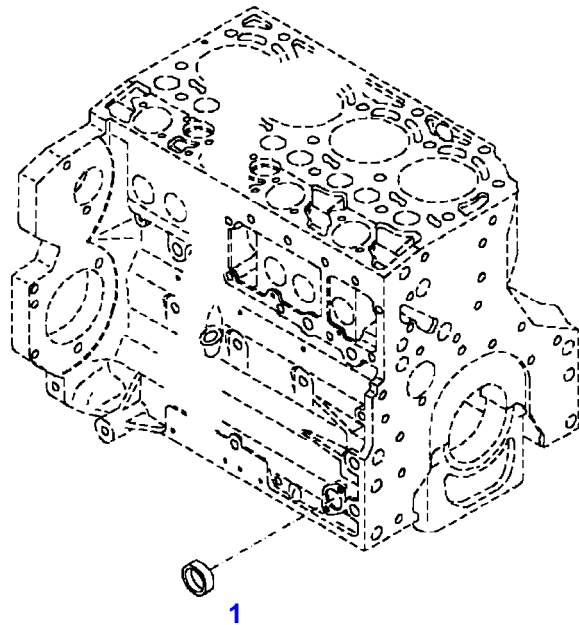
F416000

CRANKCASE

Page01-0004

Item	Part Number	Qty	Description Comments	Technical Specification
			PISTON COOL.NOZZLE	
1	72479417	4	PISTON COOLING JET	
2	72605244	4	HEXAGONAL HEAD BOLT	M8X35

FENDT 516 VARIO SCR (416/00101-99999)
40194



040194

1

185



Fendt

FENDT 516 VARIO SCR (416/00101-99999)

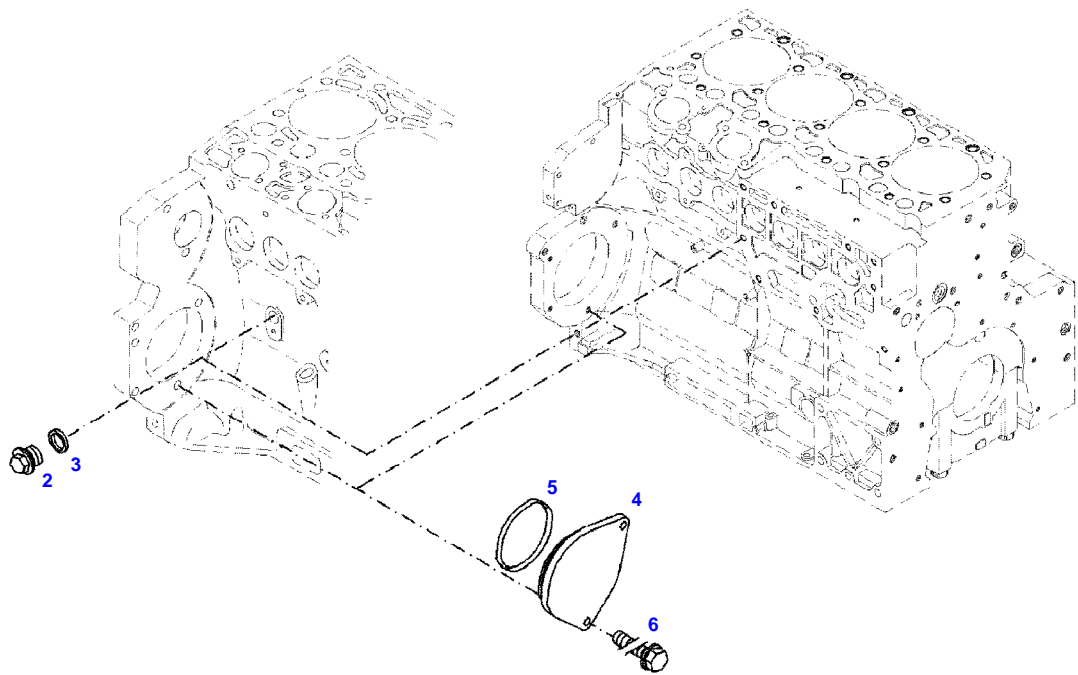
F416000

CRANKCASE

Page01-0005

Item	Part Number	Qty	Description Comments
			LOCKING PLUG
1	72325326	1	CORE HOLE PLUG
185	72325403	1	SAFE.LOCK AGENT

FENDT 516 VARIO SCR (416/00101-99999)
F51577

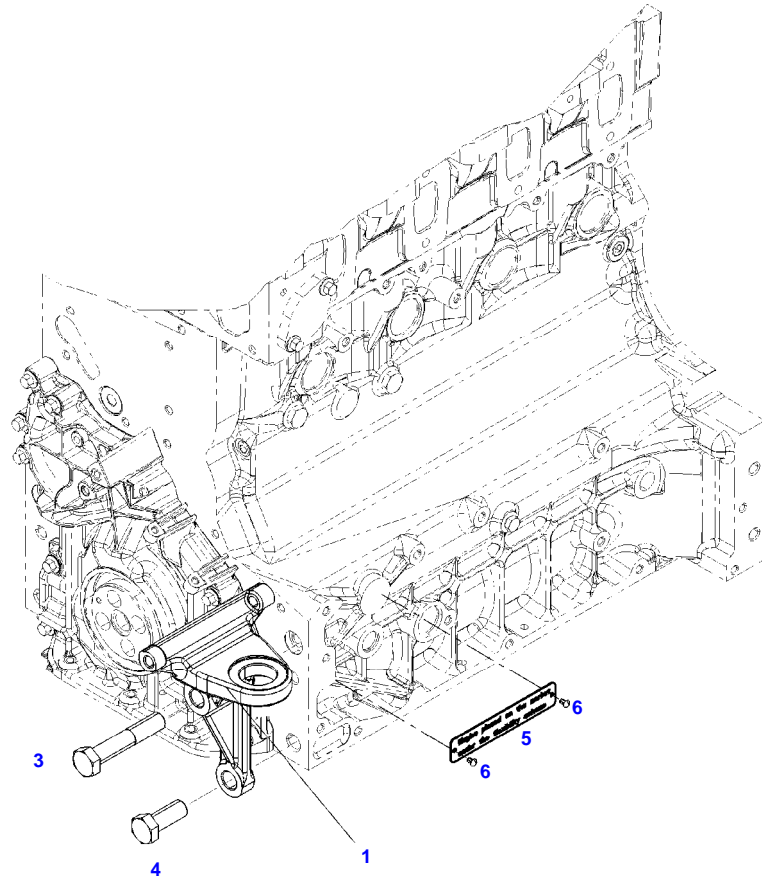


051577



Item	Part Number	Qty	Description Comments	Technical Specification
			BLANKING PARTS UP TO ENGINE S/N 12125465	
2	72315799	1	PLUG NOT NEEDED WITH AIR BRAKE	DIN 7604 AM14X1,5-A3L
3	72439867	1	SEALING WASHER NOT NEEDED WITH AIR BRAKE	DIN7603-14X18-CU-VERZ
4	72431648	1	COVER NOT NEEDED WITH AIR BRAKE	
5	72416472	1	SEAL 96X4MM NOT NEEDED WITH AIR BRAKE	
6	72438057	2	HEXAGONAL HEAD BOLT NOT NEEDED WITH AIR BRAKE UP TO JANUARY 2017	M10X20
	72657640	2	HEXAGONAL HEAD BOLT FROM JANUARY 2017	M10X16

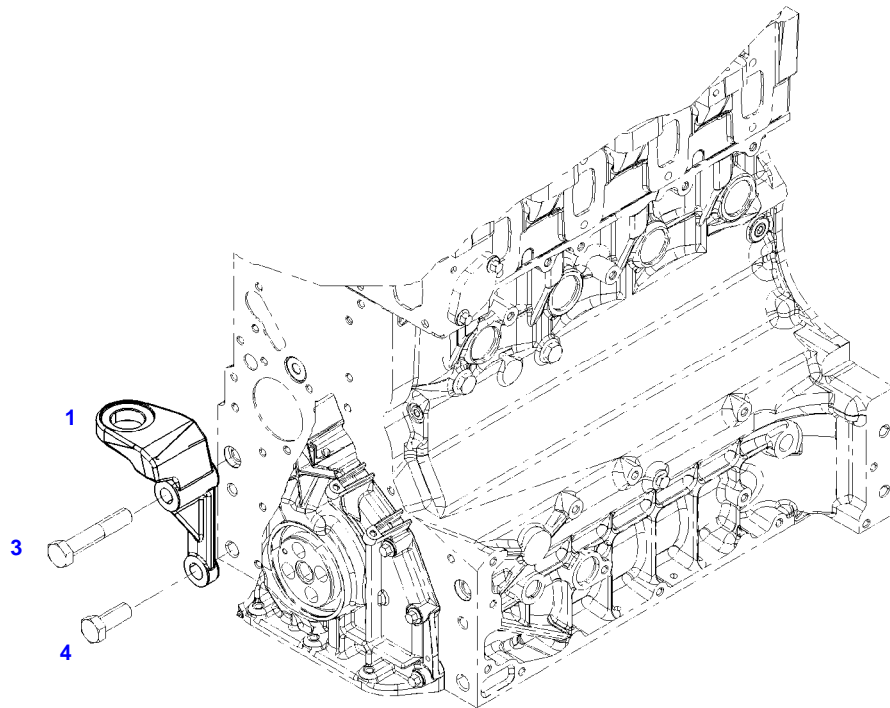
FENDT 516 VARIO SCR (416/00101-99999)
F061358



F061358



Item	Part Number	Qty	Description Comments	Technical Specification
			LEFT HAND	
1	72600590	1	ENGINE SUSPENSION <-- 416/0101 --> 416/0200 <>	LI
	72476384	1	ENGINE MOUNT	
3	72374294	1	HEXAGONAL HEAD BOLT	DIN 931-M16X85 GWA-10.9
4	72418408	1	HEXAGONAL HEAD BOLT	DIN 933 M16X40 GWA-10.9
5	72452403	1	MARKING PLATE FLEXI ENGINE	
6	72313751	2	SLOTTED PIN	DIN 1476-3X5-AL



039758

Fendt

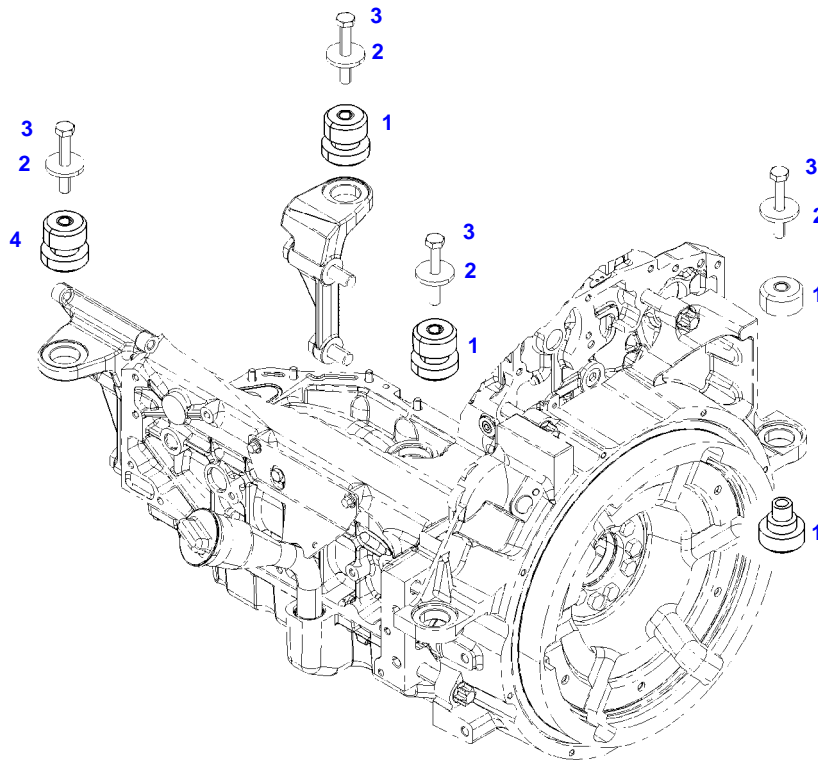
FENDT 516 VARIO SCR (416/00101-99999)

F416000

ENGING SUPPORT

Page01-0008

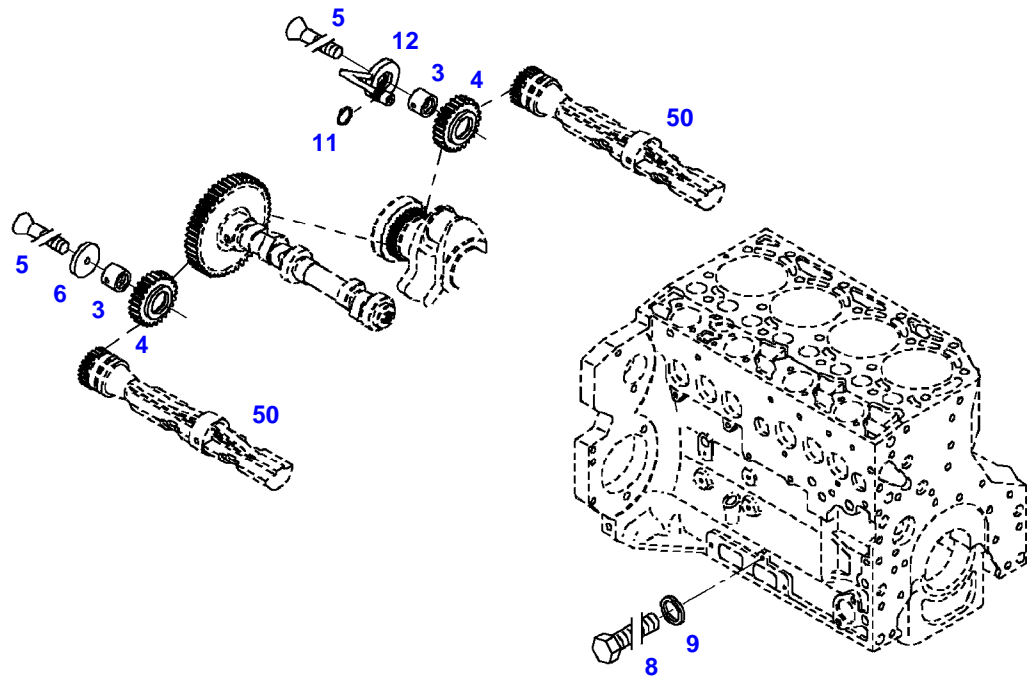
Item	Part Number	Qty	Description Comments	Technical Specification
			RIGHT HAND	
1	72602225	1	ENGINE SUSPENSION	RE
3	72374294	1	HEXAGONAL HEAD BOLT	DIN 931-M16X85 GWA-10.9
4	72418408	1	HEXAGONAL HEAD BOLT	DIN 933 M16X40 GWA-10.9



039759

Item	Part Number	Qty	Description Comments	Technical Specification
1	72476384	3	ENGINE MOUNT	
2	72318110	4	DISC	
3	72315563	4	HEXAGONAL HEAD BOLT	DIN 931 M12X80-8.8A3L
4	72476384	1	ENGINE MOUNT	
	72600590	1	ENGINE SUSPENSION <-- 416/0101 --> 416/0200 <>	LI

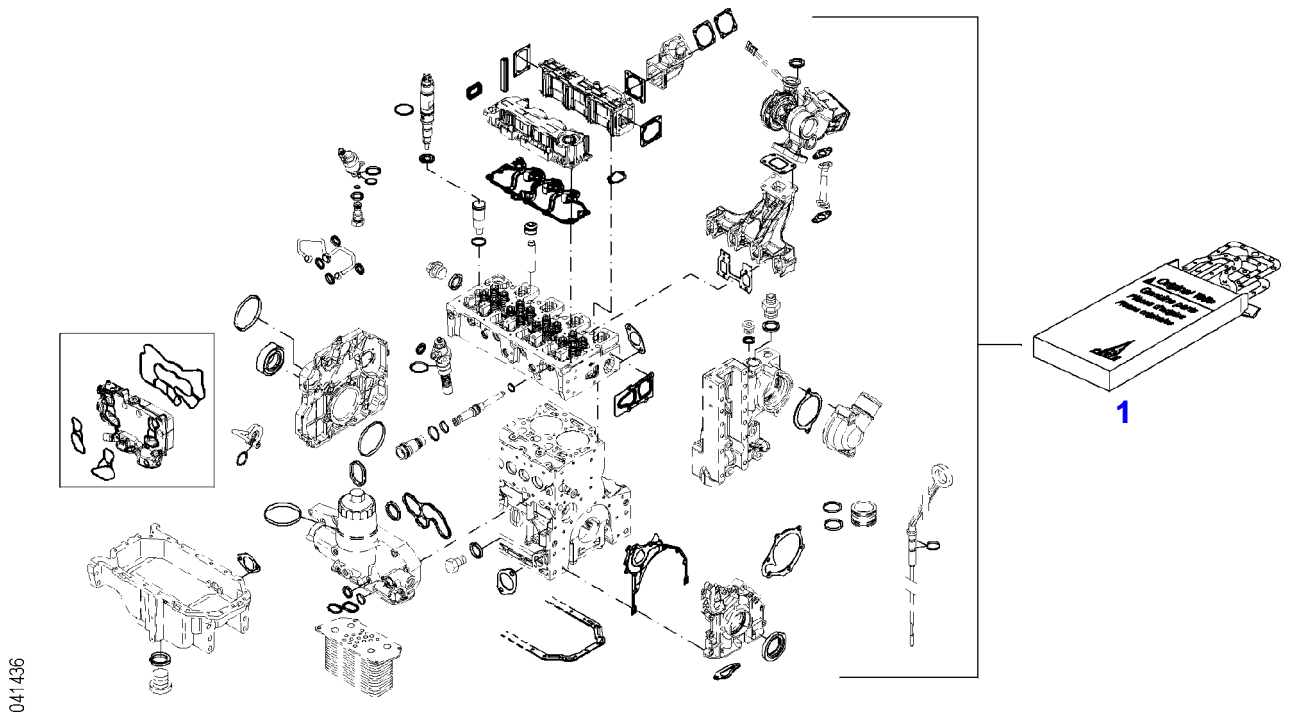
FENDT 516 VARIO SCR (416/00101-99999)
33867



033867

Item	Part Number	Qty	Description Comments	Technical Specification
3	72415940	2	PIVOT	
4	72415941	2	GEAR WHEEL	
5	72423136	2	COUNTERSUNK CAPSCREW M8X45	
6	72415942	1	FIXING SHIM	
8	72315644	2	HEXAGONAL HEAD BOLT	DIN 933 M8X10-8.8A3L
9	72315087	2	SEALING WASHER	DIN 7603 A8X14-CU
11	72423138	1	SEAL 7X1,5MM	
12	72415945	1	PIVOT	
50			SEE CRANKCASE	

FENDT 516 VARIO SCR (416/00101-99999)
41436



041436

Fendt

FENDT 516 VARIO SCR (416/00101-99999)

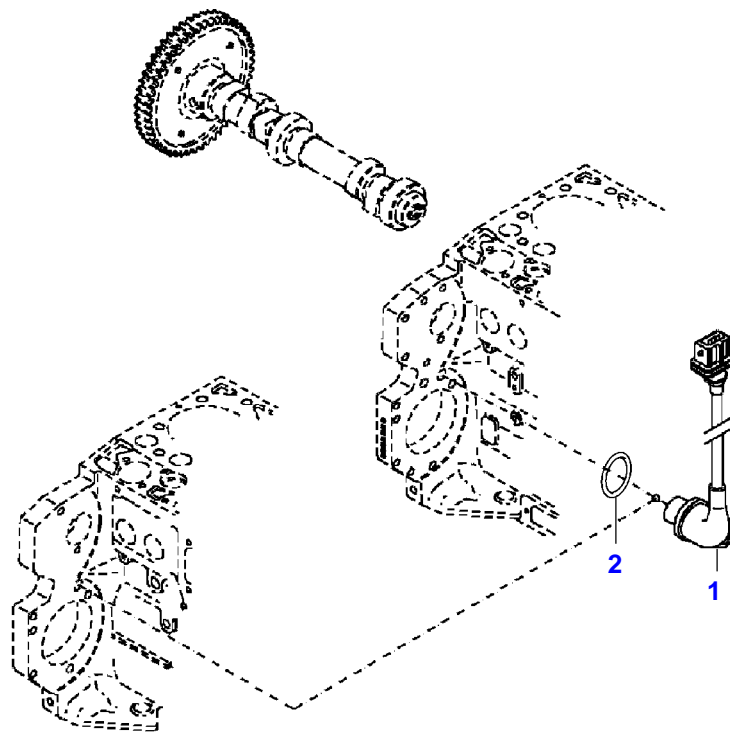
F416000

SET OF GASKETS - MOTOR

Page01-0011

Item	Part Number	Qty	Description Comments
1	72609180	1	SEAL KIT WITHOUT CYLINDER HEAD GASKET

FENDT 516 VARIO SCR (416/00101-99999)
431755-M-1



431755-M-1

Fendt

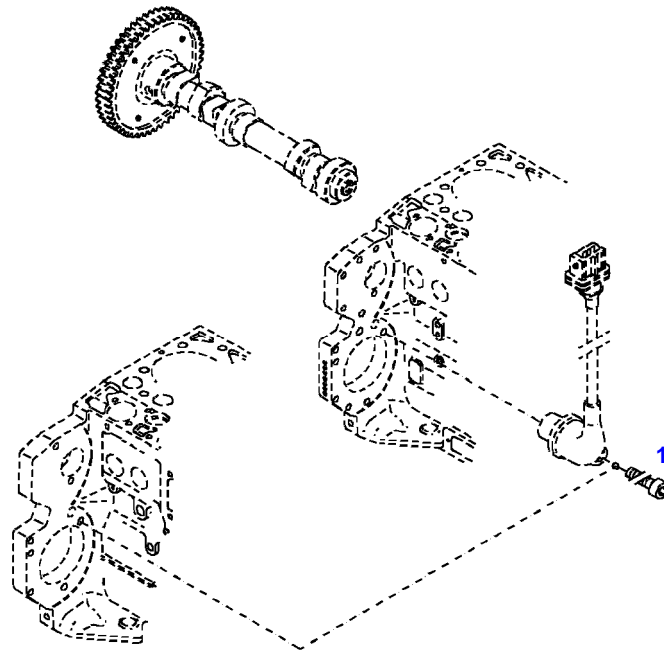
FENDT 516 VARIO SCR (416/00101-99999)

F416000

TRANSMITTER

Page01-0012

Item	Part Number	Qty	Description Comments
			ENGINE SPEED EDC
1	72436871	1	TRANSMITTER UP TO ENGINE NUMBER 11934432
	72626758	1	TRANSMITTER FROM ENGINE S/N 11934433
2	72628348	1	O-RING



035317

Fendt

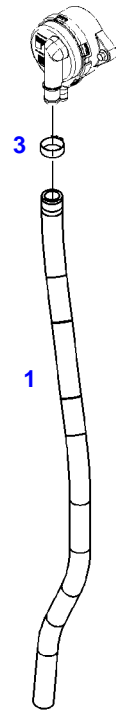
FENDT 516 VARIO SCR (416/00101-99999)

F416000

TRANSMITTER

Page01-0013

Item	Part Number	Qty	Description Comments	Technical Specification
			ENGINE SPEED FASTENINGS	
1	72315460	1	SOCKET HEAD BOLT	DIN 912 M6X16-8.8



039702

Fendt

FENDT 516 VARIO SCR (416/00101-99999)

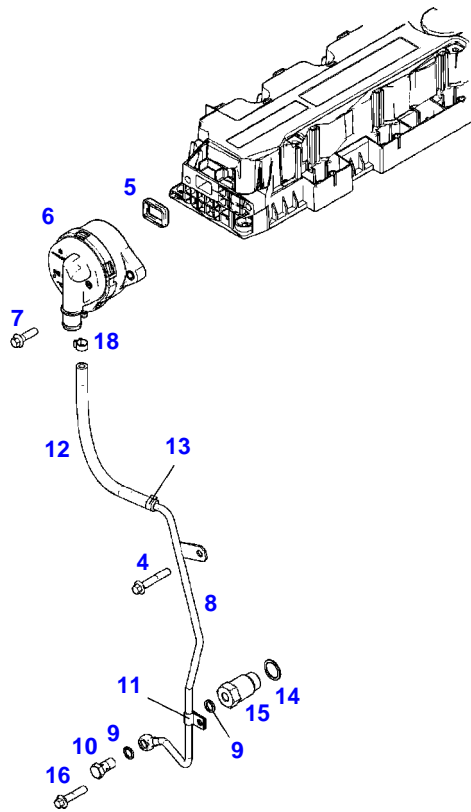
F416000

CRANKCASE BREATHER

Page01-0014

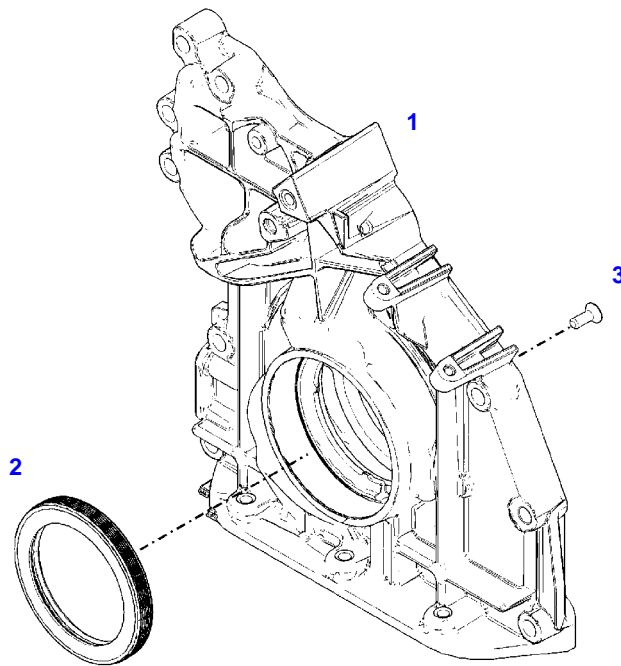
Item	Part Number	Qty	Description Comments
			BREATHER TUBE
1	72600584	1	HOSE
3	72311167	1	HOSE CLIP

FENDT 516 VARIO SCR (416/00101-99999)
39709



039709

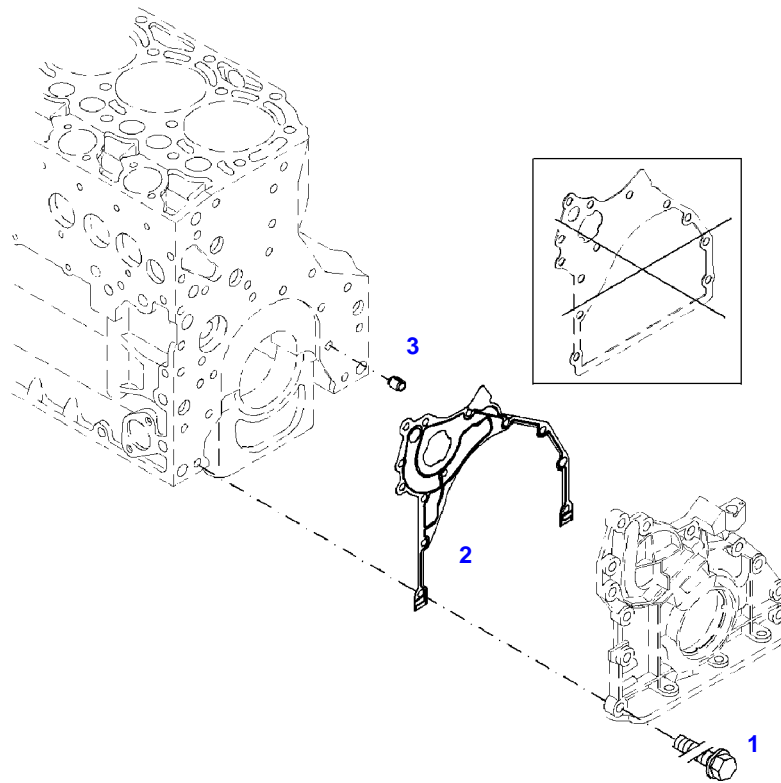
Item	Part Number	Qty	Description Comments	Technical Specification
OIL RETURN TUBE				
4	72325453	1	HEXAGONAL HEAD BOLT	
5	72455795	1	SEAL	
6	72437250	1	BREATHER ><5	
7	72325293	2	HEXAGONAL HEAD BOLT	M8X30
8	72437987	1	OIL RETURN LINE ><9-13	
9	72439873	2	SEALING WASHER	
10	72323517	1	BANJO BOLT	
11	72425772	1	PIPE CLAMP	
12	72437138	1	RUBBER HOSE	
13	72479013	1	HOSE CLIP	
14	72439874	1	SEALING WASHER	
15	72425770	1	LOCK VALVE	
16	72325457	1	HEXAGONAL HEAD BOLT	
18	72479013	1	HOSE CLIP	



041342

Item	Part Number	Qty	Description Comments
			INTEGRATED OIL PUMP
1	72630300	1	CRANKCASE END COVER INTEGRATED OIL PUMP ><2,3
2	72479487	1	SHAFT SEAL
3	72416228	8	COUNTERSUNK CAPSCREW M6X16

FENDT 516 VARIO SCR (416/00101-99999)
41308



041308

Fendt

FENDT 516 VARIO SCR (416/00101-99999)

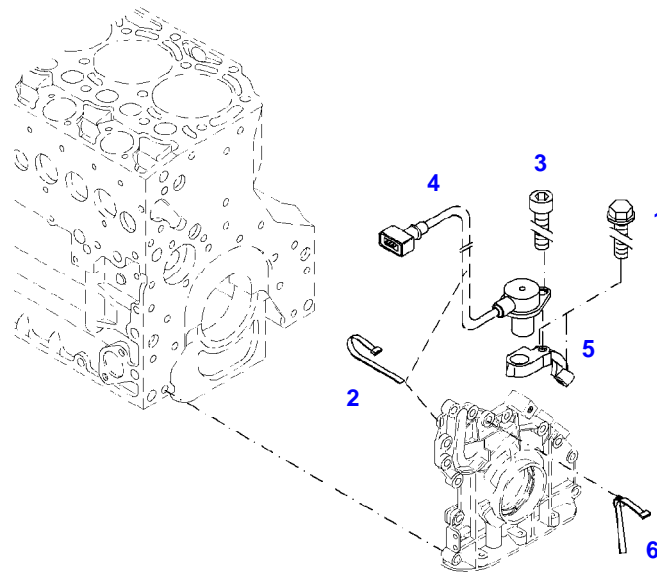
F416000

FRONT COVER

Page01-0017

Item	Part Number	Qty	Description Comments	Technical Specification
FASTENINGS				
1	72605244	10	HEXAGONAL HEAD BOLT	M8X35
2	72486511	1	SEAL	
3	72325352	1	TENSIONER BUSHING	

FENDT 516 VARIO SCR (416/00101-99999)
41030



041030

Item	Part Number	Qty	Description Comments	Technical Specification
			ENGINE SPEED EDC	
1	72436834	2	HEXAGONAL HEAD BOLT M6X30	
2	72416001	2	RETAINING STRAP	
3	72315460	1	SOCKET HEAD BOLT	DIN 912 M6X16-8.8
4	72436872	1	TRANSMITTER ENGINE SPEED EDC	
5	72495289	1	RETAINER	
6	72455561	1	RETAINING STRAP	

Thank you so much for reading.
Please click the “Buy Now!”
button below to download the
complete manual.



After you pay.

You can download the most
perfect and complete manual in
the world immediately.

Our support email:

ebooklibonline@outlook.com