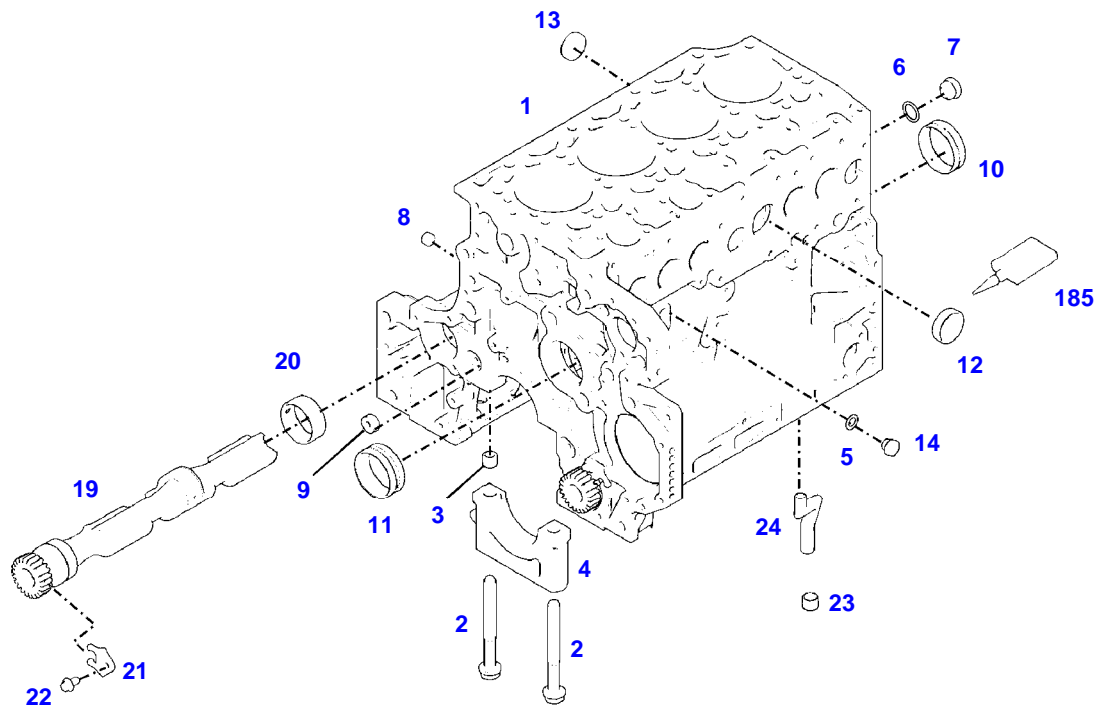
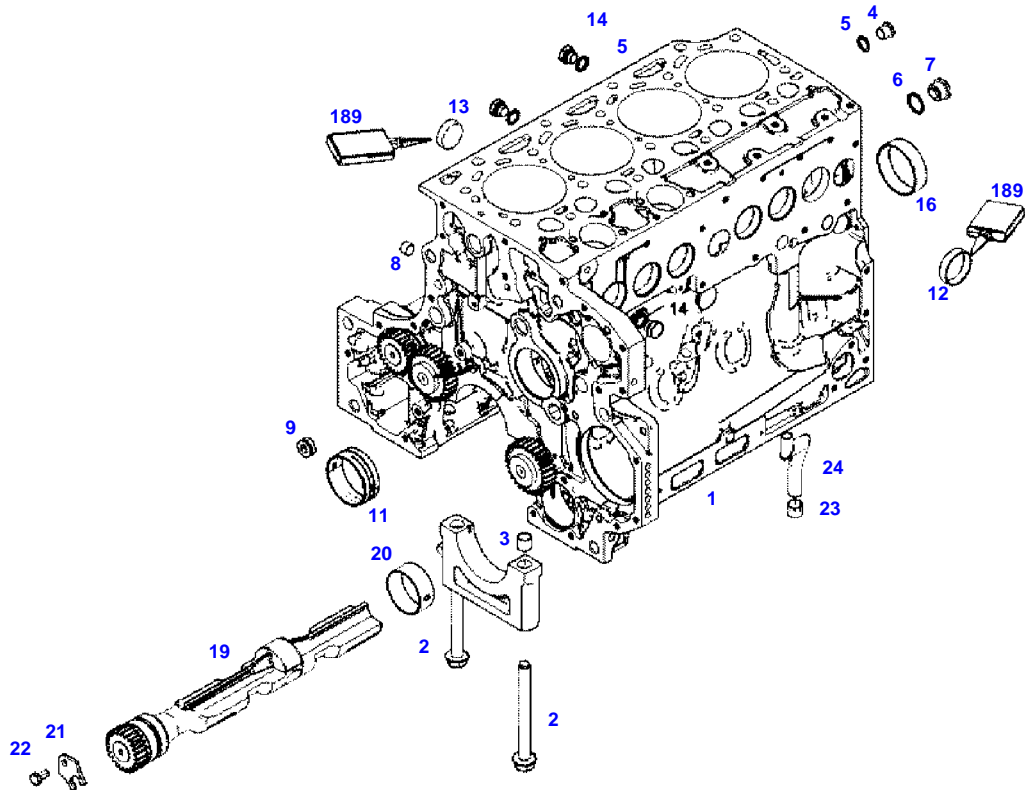


| <b>Page Number</b> | <b>Page Title</b>                   | <b>Page Reference</b> |
|--------------------|-------------------------------------|-----------------------|
| 01-000-TOC         | ENGINE, FUEL AND EXHAUST SYSTEM     | 01-000-TOC            |
| 02-000-TOC         | AXLES                               | 02-000-TOC            |
| 03-000-TOC         | STEERING SYSTEM                     | 03-000-TOC            |
| 04-000-TOC         | DRIVE TRAIN SYSTEM                  | 04-000-TOC            |
| 05-000-TOC         | COMPRESSED AIR SYSTEM               | 05-000-TOC            |
| 06-000-TOC         | HYDRAULIC SYSTEM                    | 06-000-TOC            |
| 07-000-TOC         | ELECTRICAL SYSTEM                   | 07-000-TOC            |
| 08-000-TOC         | CAB                                 | 08-000-TOC            |
| 09-000-TOC         | AIR CONDITIONING AND HEATING SYSTEM | 09-000-TOC            |
| 10-000-TOC         | CHASSIS                             | 10-000-TOC            |
| 11-000-TOC         | WHEELS                              | 11-000-TOC            |
| 12-000-TOC         | IMPLEMENT LIFT SYSTEM FRONT         | 12-000-TOC            |
| 13-000-TOC         | IMPLEMENT LIFT SYSTEM REAR          | 13-000-TOC            |
| 14-000-TOC         | LINKAGE                             | 14-000-TOC            |
| 15-000-TOC         | FRONT/REAR LOADERS                  | 15-000-TOC            |
| 16-000-TOC         | PRECISION FARMING SYSTEMS           | 16-000-TOC            |
| 17-000-TOC         | ACCESSORIES                         | 17-000-TOC            |



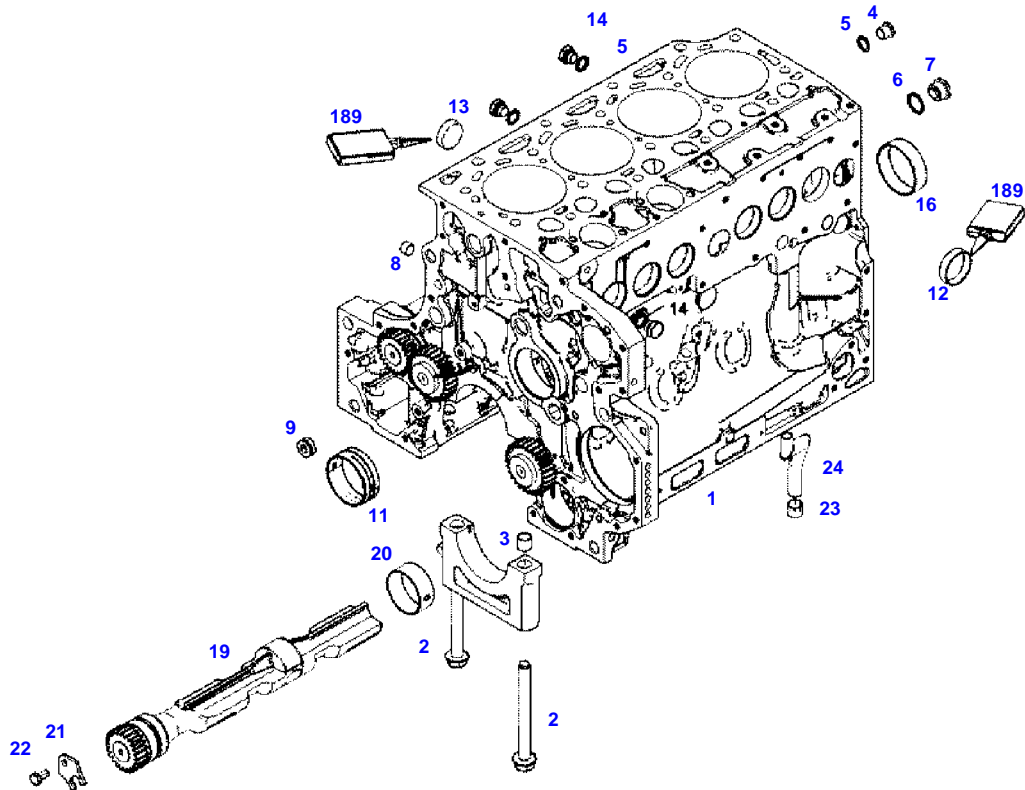
041473

| Item | Part Number | Qty | Description<br>Comments                          | Technical Specification     |
|------|-------------|-----|--|-----------------------------|
|      |             |     | UP TO ENGINE S/N<br>11776650                     |                             |
|      | 72617517    | 1   | ENGINE<br>UP TO MACHINE S/N<br>WAM438XXX00F07003 | TCD4.1L4                    |
| 1    | ACP0152920  | 1   | CRANKCASE<br>><2-14, 19-24                       |                             |
| 2    | 72416467    | 10  | HEXAGONAL HEAD BOLT                              |                             |
| 3    | 72344342    | 10  | ADAPTER BUSH                                     |                             |
| 4    |             |     | NOT AVAILABLE IN SINGLE PARTS                    |                             |
| 5    | 72456134    | 2   | SEALING WASHER                                   | DIN 7603 D14X20-CU-VERZINNT |
| 6    | 72439874    | 1   | SEALING WASHER                                   |                             |
| 7    | 72455559    | 1   | PLUG SCREW                                       |                             |
| 8    | 72429347    | 2   | SCREW<br>M14X1,5                                 | M14X1,5                     |
| 9    | 72431135    | 1   | LOCKING PLUG                                     |                             |
| 10   | 72497417    | 4   | BEARING BUSHING                                  |                             |
| 11   | 72491822    | 1   | BEARING BUSHING                                  |                             |
| 12   | 72325325    | 6   | CORE HOLE PLUG                                   |                             |
| 13   | 72325326    | 4   | CORE HOLE PLUG                                   |                             |
| 14   | 72315799    | 2   | PLUG   | DIN 7604 AM14X1,5-A3L       |
| 19   | 72439854    | 2   | GANG SHAFT                                       |                             |
| 20   | 72325339    | 4   | BUSHING  |                             |
| 21   | 72415943    | 2   | THRUST WASHER                                    |                             |
| 22   | 72423137    | 2   | HEXAGONAL HEAD BOLT<br>M8X16                     |                             |
| 23   | 72420773    | 1   | LOCKING PART                                     |                             |
| 24   | 72436713    | 1   | LINE   |                             |
| 185  | 72381391    | 1   | THREADLOCKER                                     | LOCTITE 243 10ML            |



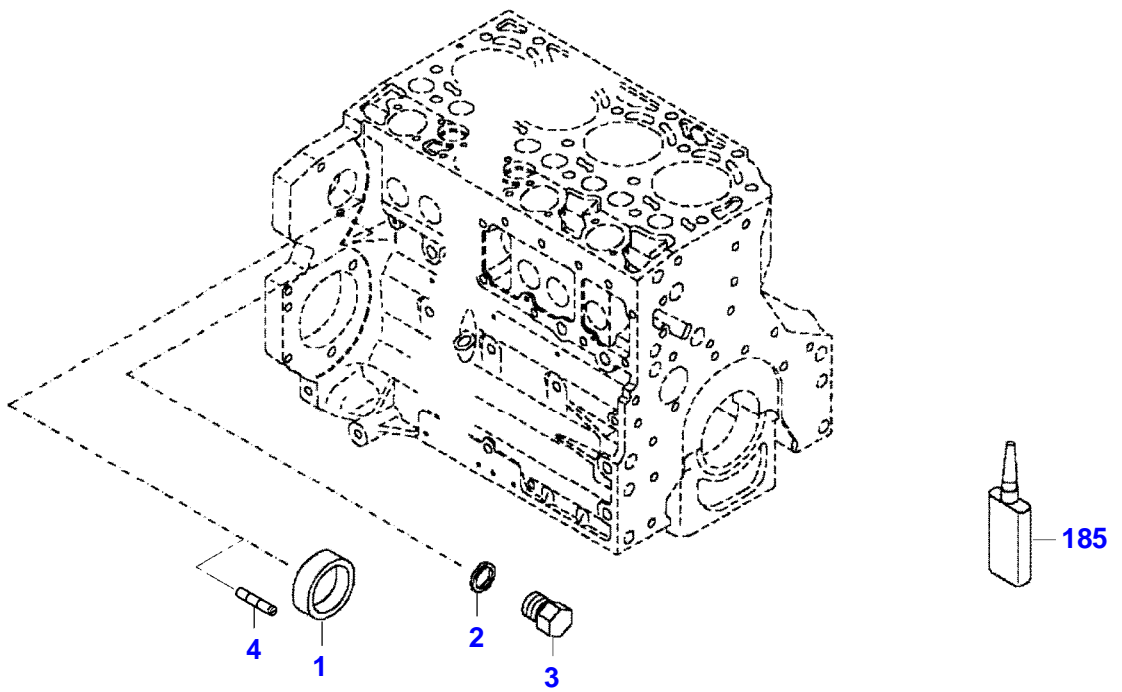
F060459

| Item | Part Number | Qty | Description<br>Comments                          | Technical Specification     |
|------|-------------|-----|--|-----------------------------|
|      |             |     | FROM - UP TO ENGINE S/N<br>11776651 - 12290735   |                             |
|      | 72617517    | 1   | ENGINE<br>UP TO MACHINE S/N<br>WAM438XXX00F07003 | TCD4.1L4                    |
| 1    | ACP0152920  | 1   | CRANKCASE<br>><2-14, 19-24                       |                             |
| 2    | 72416467    | 10  | HEXAGONAL HEAD BOLT                              |                             |
| 3    | 72344342    | 10  | ADAPTER BUSH                                     |                             |
| 4    | 72315438    | 1   | PLUG SCREW                                       | DIN 908 M14X1,5-ST          |
| 5    | 72456134    | 4   | SEALING WASHER                                   | DIN 7603 D14X20-CU-VERZINNT |
| 6    | 72439874    | 1   | SEALING WASHER                                   |                             |
| 7    | 72455559    | 1   | PLUG SCREW                                       |                             |
| 8    | 72429347    | 1   | SCREW  | M14X1,5                     |
| 9    | 72431135    | 1   | LOCKING PLUG                                     |                             |
| 11   | ACP0152930  | 1   | FEMALE BEARING                                   |                             |
| 12   | 72325325    | 6   | CORE HOLE PLUG                                   |                             |
| 13   | 72325326    | 4   | CORE HOLE PLUG                                   |                             |
| 14   | 72315799    | 3   | PLUG   | DIN 7604 AM14X1,5-A3L       |
| 16   | ACP0152940  | 4   | FEMALE BEARING                                   |                             |
| 19   | 72439854    | 2   | GANG SHAFT                                       |                             |
| 20   | 72325339    | 4   | BUSHING  |                             |
| 21   | 72415943    | 2   | THRUST WASHER                                    |                             |
| 22   | 72423137    | 2   | HEXAGONAL HEAD BOLT                              |                             |
| 23   | 72420773    | 1   | LOCKING PART                                     |                             |
| 24   | 72436713    | 1   | LINE   |                             |
| 189  | 72381391    | 1   | THREADLOCKER                                     | LOCTITE 243 10ML            |



F060459

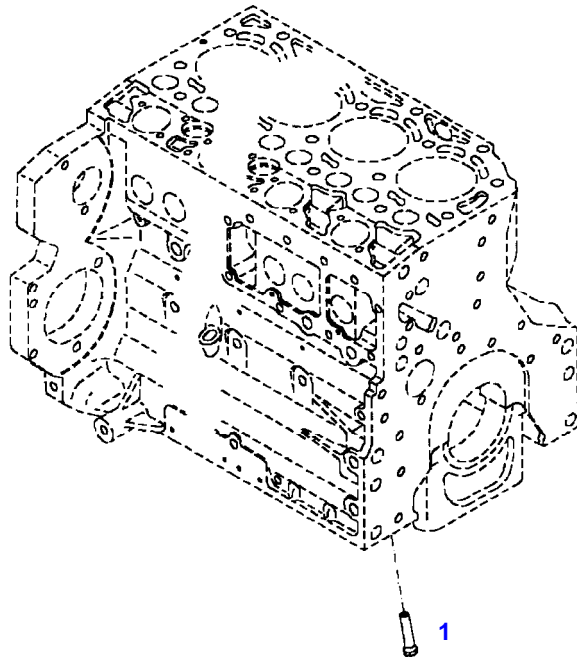
| Item | Part Number | Qty | Description<br>Comments               | Technical Specification     |
|------|-------------|-----|---------------------------------------|-----------------------------|
|      |             |     | <b>FROM ENGINE S/N<br/>12290736</b>   |                             |
|      | 72654928    | 1   | ENGINE                                | TCD4.1L4                    |
|      |             |     | FROM MACHINE S/N<br>WAM438XXX00F07004 |                             |
| 1    | ACP0152920  | 1   | CRANKCASE<br>><2-14, 19-24            |                             |
| 2    | 72416467    | 10  | HEXAGONAL HEAD BOLT                   |                             |
| 3    | 72344342    | 10  | ADAPTER BUSH                          |                             |
| 4    | 72315438    | 1   | PLUG SCREW                            | DIN 908 M14X1,5-ST          |
| 5    | 72456134    | 4   | SEALING WASHER                        | DIN 7603 D14X20-CU-VERZINNT |
| 6    | 72439874    | 1   | SEALING WASHER                        |                             |
| 7    | 72455559    | 1   | PLUG SCREW                            |                             |
| 8    | 72429347    | 1   | SCREW                                 | M14X1,5                     |
| 9    | 72431135    | 1   | LOCKING PLUG                          |                             |
| 11   | ACP0152930  | 1   | FEMALE BEARING                        |                             |
| 12   | 72325325    | 6   | CORE HOLE PLUG                        |                             |
| 13   | 72325326    | 4   | CORE HOLE PLUG                        |                             |
| 14   | 72315799    | 3   | PLUG                                  | DIN 7604 AM14X1,5-A3L       |
| 16   | ACP0152940  | 4   | FEMALE BEARING                        |                             |
| 19   | 72439854    | 2   | GANG SHAFT                            |                             |
| 20   | 72325339    | 4   | BUSHING                               |                             |
| 21   | 72415943    | 2   | THRUST WASHER                         |                             |
| 22   | 72423137    | 2   | HEXAGONAL HEAD BOLT                   |                             |
| 23   | 72420773    | 1   | LOCKING PART                          |                             |
| 24   | 72436713    | 1   | LINE                                  |                             |
| 189  | 72381391    | 1   | THREADLOCKER                          | LOCTITE 243 10ML            |



432327-M-1



| Item                  | Part Number | Qty | Description<br>Comments                                      | Technical Specification |
|-----------------------|-------------|-----|--|-------------------------|
| <b>BLANKING PARTS</b> |             |     |  |                         |
| 1                     | 72627515    | 1   | CORE HOLE PLUG<br>UP TO ENGINE NUMBER<br>11983491            |                         |
|                       | 72628071    | 1   | CAP COVER<br>FROM ENGINE S/N<br>11983492                     |                         |
| 2                     | 72315088    | 2   | SEALING WASHER   | DIN 7603 A10X13,5-CU    |
| 3                     | 72323677    | 2   | PLUG   |                         |
| 4                     | 72631860    | 2   | THREADED PIN<br>UP TO ENGINE S/N<br>12473107                 |                         |
|                       | 72657969    | 2   | PLUG SCREW<br>STARTING FROM ENGINE SERIAL NUMBER<br>12473108 |                         |
| 185                   | 72325403    | 1   | SAFE.LOCK AGENT<br>UP TO ENGINE NUMBER<br>11983491           |                         |
|                       | 72493900    | 1   | INSTALLATION AIDS<br>FROM ENGINE S/N<br>11983492             |                         |



7600E0

---

Fendt

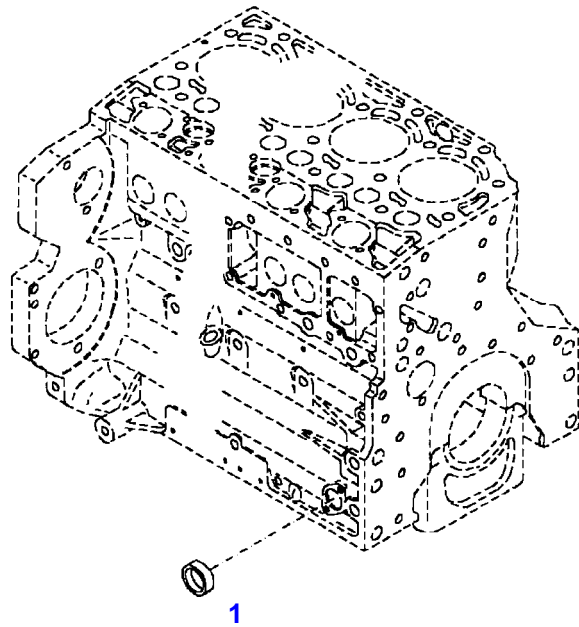
FENDT 516 S4 (438/00101-05000) (WAM438XXX00F05001-99999)

F438000

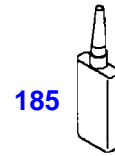
CRANKCASE

Page01-0005

| Item | Part Number | Qty | Description<br>Comments |
|------|-------------|-----|-------------------------|
|      |             |     | PISTON COOL.NOZZLE      |
| 1    | 72415140    | 4   | PISTON COOLING JET      |



040194



Fendt

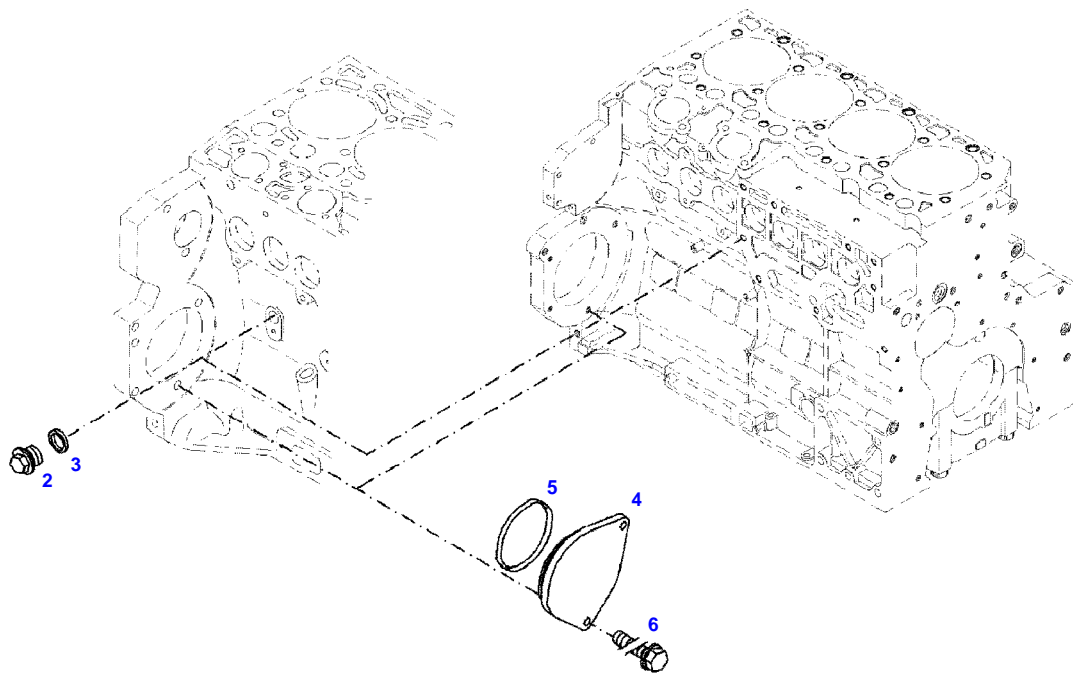
FENDT 516 S4 (438/00101-05000) (WAM438XXX00F05001-99999)

F438000

CRANKCASE

Page01-0006

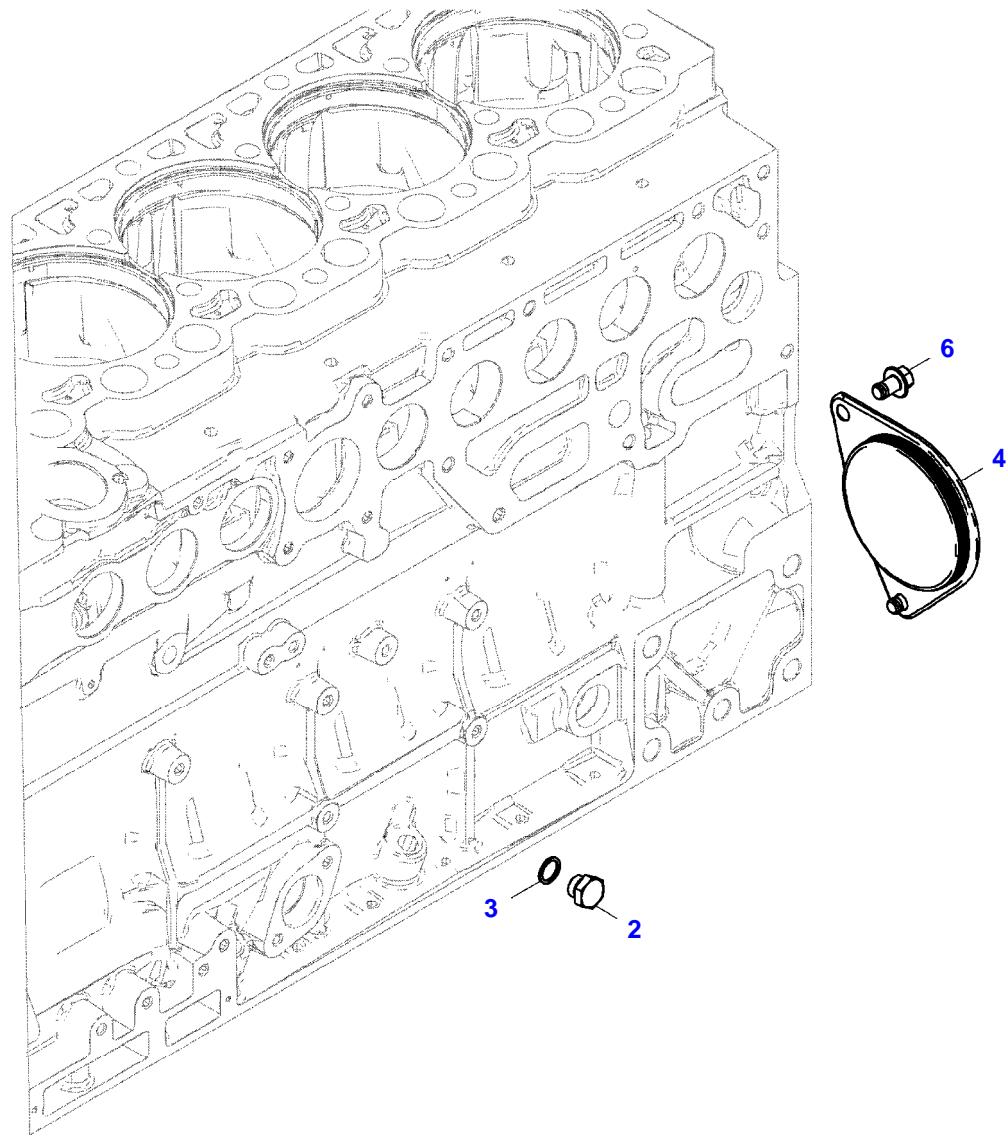
| Item | Part Number | Qty | Description<br>Comments                            |
|------|-------------|-----|--|
|      |             |     | <b>LOCKING PLUG</b>                                |
| 1    | 72325326    | 1   | CORE HOLE PLUG<br>UP TO ENGINE NUMBER<br>11983491  |
|      | 72628072    | 1   | CAP COVER<br>FROM ENGINE S/N<br>11983492           |
| 185  | 72325403    | 1   | SAFE.LOCK AGENT<br>UP TO ENGINE NUMBER<br>11983491 |
|      | 72493900    | 1   | INSTALLATION AIDS<br>FROM ENGINE S/N<br>11983492   |



051577



| Item | Part Number | Qty | Description<br>Comments  | Technical Specification |
|------|-------------|-----|--|-------------------------|
|      |             |     | <b>BLANKING PARTS<br/>UP TO ENGINE S/N<br/>12125465</b>                |                         |
| 2    | 72315799    | 1   | PLUG<br>NOT NEEDED WITH AIR BRAKE                                      | DIN 7604 AM14X1,5-A3L   |
| 3    | 72439867    | 1   | SEALING WASHER<br>NOT NEEDED WITH AIR BRAKE                            | DIN7603-14X18-CU-VERZ   |
| 4    | 72431648    | 1   | COVER<br>NOT NEEDED WITH AIR BRAKE                                     |                         |
| 5    | 72416472    | 1   | SEAL<br>96X4MM<br>NOT NEEDED WITH AIR BRAKE                            |                         |
| 6    | 72438057    | 2   | HEXAGONAL HEAD BOLT<br>NOT NEEDED WITH AIR BRAKE<br>UP TO JANUARY 2017 | M10X20                  |
|      | 72657640    | 2   | HEXAGONAL HEAD BOLT<br>FROM JANUARY 2017                               | M10X16                  |



25548786-M-1



Fendt

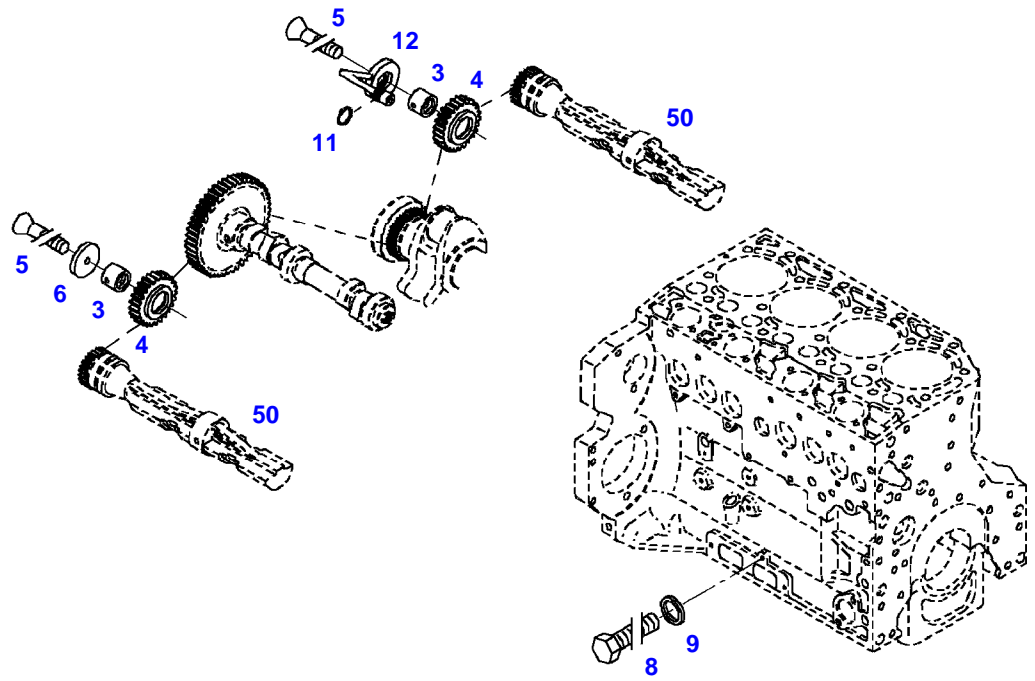
FENDT 516 S4 (438/00101-05000) (WAM438XXX00F05001-99999)

F438000

CRANKCASE

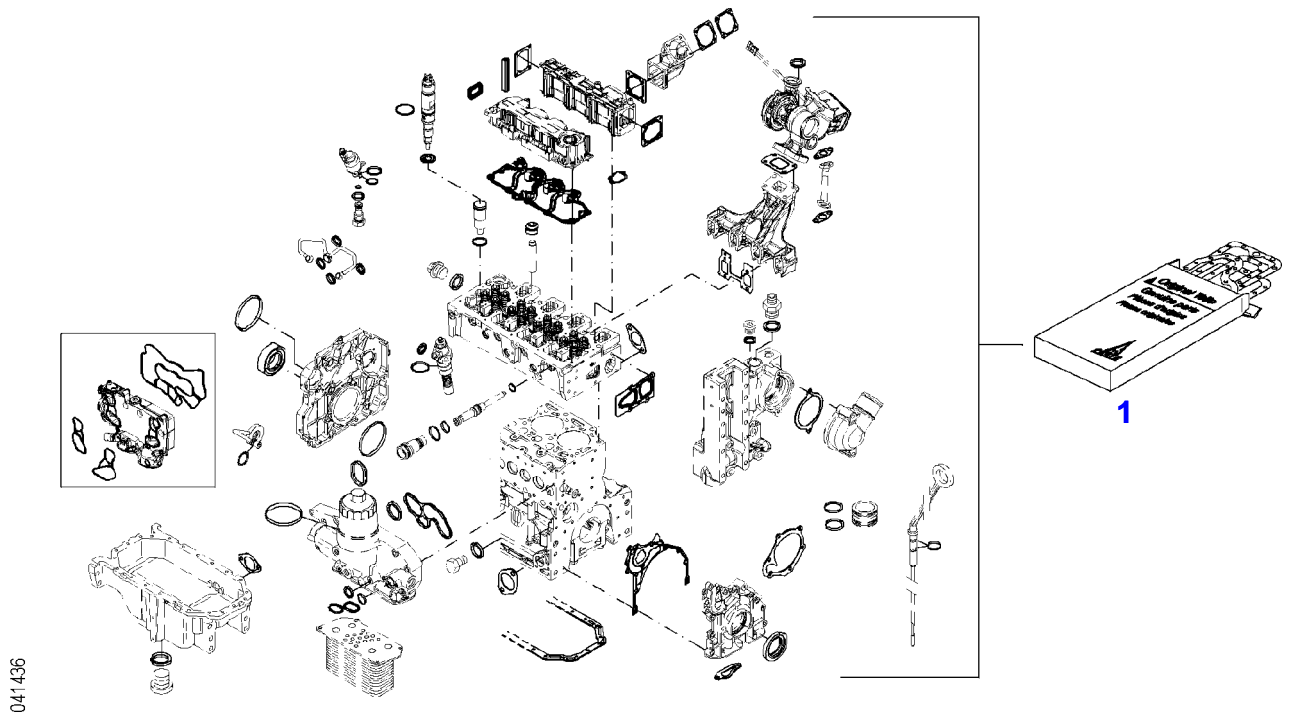
Page01-0008

| Item | Part Number | Qty | Description<br>Comments                                | Technical Specification |
|------|-------------|-----|--|-------------------------|
|      |             |     | <b>BLANKING PARTS<br/>FROM ENGINE S/N<br/>12125466</b> |                         |
| 2    | 72631866    | 1   | PLUG SCREW<br>NOT NEEDED WITH AIR BRAKE                |                         |
| 3    | 72439867    | 1   | SEALING WASHER<br>NOT NEEDED WITH AIR BRAKE            | DIN7603-14X18-CU-VERZ   |
| 4    | 72657732    | 1   | COVER<br>NOT NEEDED WITH AIR BRAKE                     |                         |
| 6    | 72657640    | 2   | HEXAGONAL HEAD BOLT                                    | M10X16                  |



033867

| Item | Part Number | Qty | Description<br>Comments       | Technical Specification |
|------|-------------|-----|-------------------------------|-------------------------|
| 3    | 72415940    | 2   | PIVOT                         |                         |
| 4    | 72415941    | 2   | GEAR WHEEL                    |                         |
| 5    | 72423136    | 2   | COUNTERSUNK CAPSCREW<br>M8X45 |                         |
| 6    | 72415942    | 1   | FIXING SHIM                   |                         |
| 8    | 72315644    | 2   | HEXAGONAL HEAD BOLT           | DIN 933 M8X10-8.8A3L    |
| 9    | 72315087    | 2   | SEALING WASHER                | DIN 7603 A8X14-CU       |
| 11   | 72423138    | 1   | SEAL<br>7X1,5MM               |                         |
| 12   | 72415945    | 1   | PIVOT                         |                         |
| 50   |             |     | SEE CRANKCASE                 |                         |



---

Fendt

---

FENDT 516 S4 (438/00101-05000) (WAM438XXX00F05001-99999)

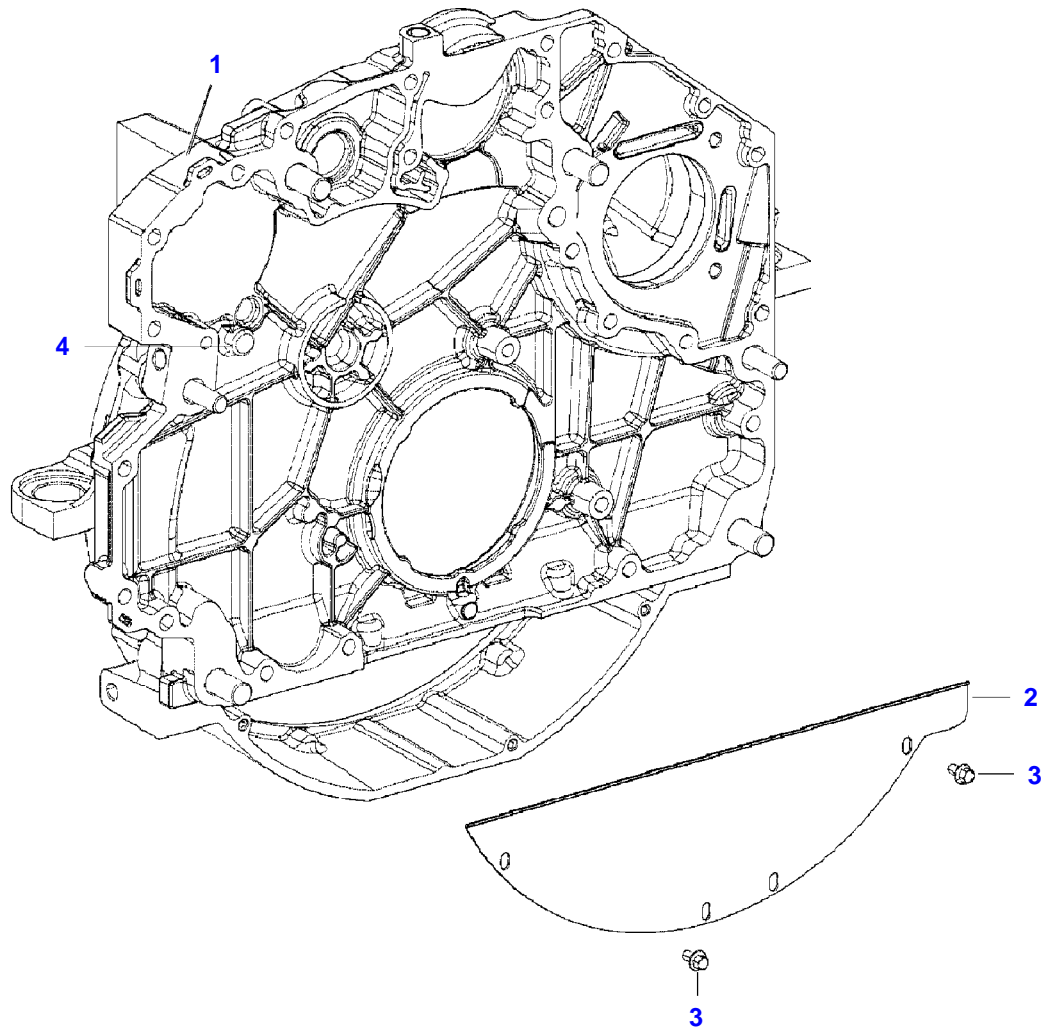
F438000

---

SET OF GASKETS

Page01-0010

| Item | Part Number | Qty | Description<br>Comments                  |
|------|-------------|-----|--|
|      |             |     | <b>ENGINE</b>                            |
| 1    | 72609180    | 1   | SEAL KIT<br>WITHOUT CYLINDER HEAD GASKET |



11180031-M-1

---

Fendt

---

FENDT 516 S4 (438/00101-05000) (WAM438XXX00F05001-99999)

F438000

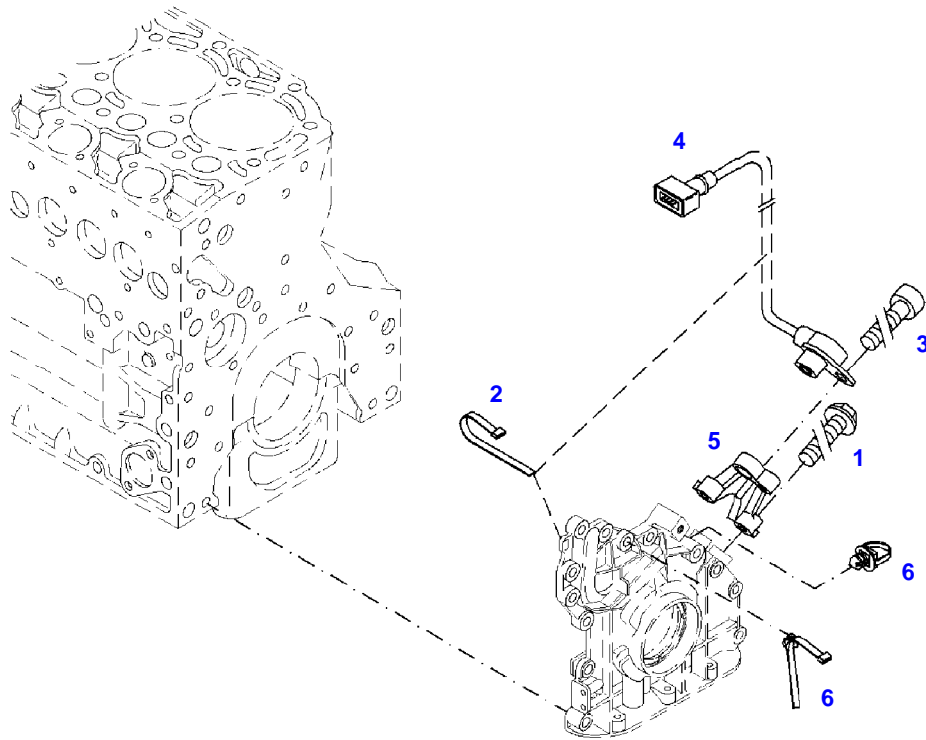
---

ADAPTER HOUSING

Page01-0011

---

| Item | Part Number | Qty | Description<br>Comments     | Technical Specification |
|------|-------------|-----|-----------------------------|-------------------------|
| 1    | 72605242    | 1   | CONNECTING HOUSING<br>><2,3 |                         |
| 2    | 72416423    | 1   | COVER PANEL                 |                         |
| 3    | 72325300    | 3   | HEXAGONAL HEAD BOLT         | M6X12                   |
| 4    | 72657641    | 1   | BUSHING                     |                         |



041001



Fendt

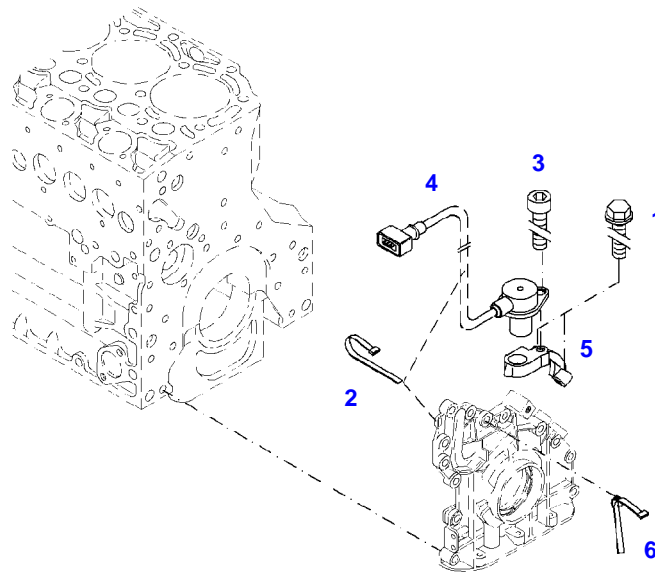
FENDT 516 S4 (438/00101-05000) (WAM438XXX00F05001-99999)

F438000

TRANSMITTER

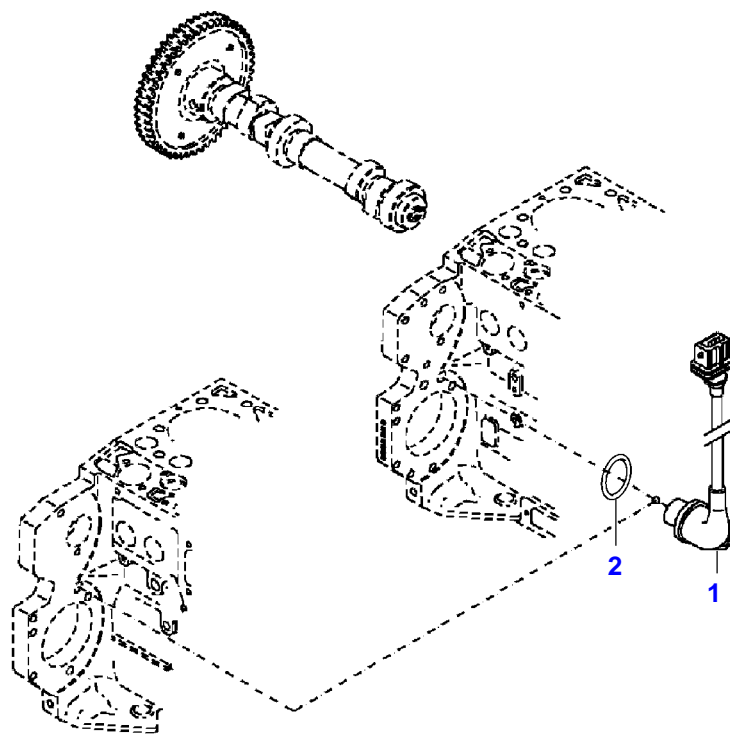
Page01-0012

| Item | Part Number | Qty | Description<br>Comments                             | Technical Specification |
|------|-------------|-----|---|-------------------------|
|      |             |     | ENGINE SPEED<br>EDC<br>ENGINE NUMBER<br>-->11613728 |                         |
| 1    | 72436834    | 2   | HEXAGONAL HEAD BOLT<br>M6X30                        |                         |
| 2    | 72416001    | 1   | RETAINING STRAP                                     |                         |
| 3    | 72315460    | 1   | SOCKET HEAD BOLT                                    | DIN 912 M6X16-8.8       |
| 4    | 72436872    | 1   | TRANSMITTER<br>ENGINE SPEED<br>EDC                  |                         |
| 5    | 72494073    | 1   | RETAINER  |                         |
| 6    | 72455561    | 2   | RETAINING STRAP                                     |                         |



041030

| Item | Part Number | Qty | Description<br>Comments                             | Technical Specification |
|------|-------------|-----|---|-------------------------|
|      |             |     | ENGINE SPEED<br>EDC<br>ENGINE NUMBER<br><--11613729 |                         |
| 1    | 72436834    | 2   | HEXAGONAL HEAD BOLT<br>M6X30                        |                         |
| 2    | 72416001    | 2   | RETAINING STRAP                                     |                         |
| 3    | 72315460    | 1   | SOCKET HEAD BOLT                                    | DIN 912 M6X16-8.8       |
| 4    | 72436872    | 1   | TRANSMITTER<br>ENGINE SPEED<br>EDC                  |                         |
| 5    | 72495289    | 1   | RETAINER  |                         |
| 6    | 72455561    | 1   | RETAINING STRAP                                     |                         |



431755-M-1

Fendt

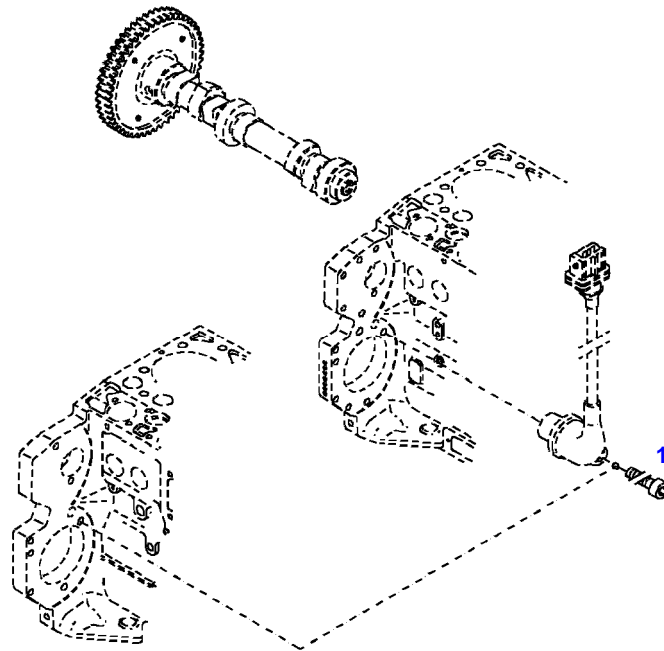
FENDT 516 S4 (438/00101-05000) (WAM438XXX00F05001-99999)

F438000

TRANSMITTER

Page01-0014

| Item | Part Number | Qty | Description<br>Comments                        |
|------|-------------|-----|--|
|      |             |     | ENGINE SPEED<br>EDC                            |
| 1    | 72436871    | 1   | TRANSMITTER<br>UP TO ENGINE NUMBER<br>11948102 |
|      | 72626758    | 1   | TRANSMITTER<br>FROM ENGINE S/N<br>11948103     |
| 2    | 72628348    | 1   | O-RING   |



035317

Fendt

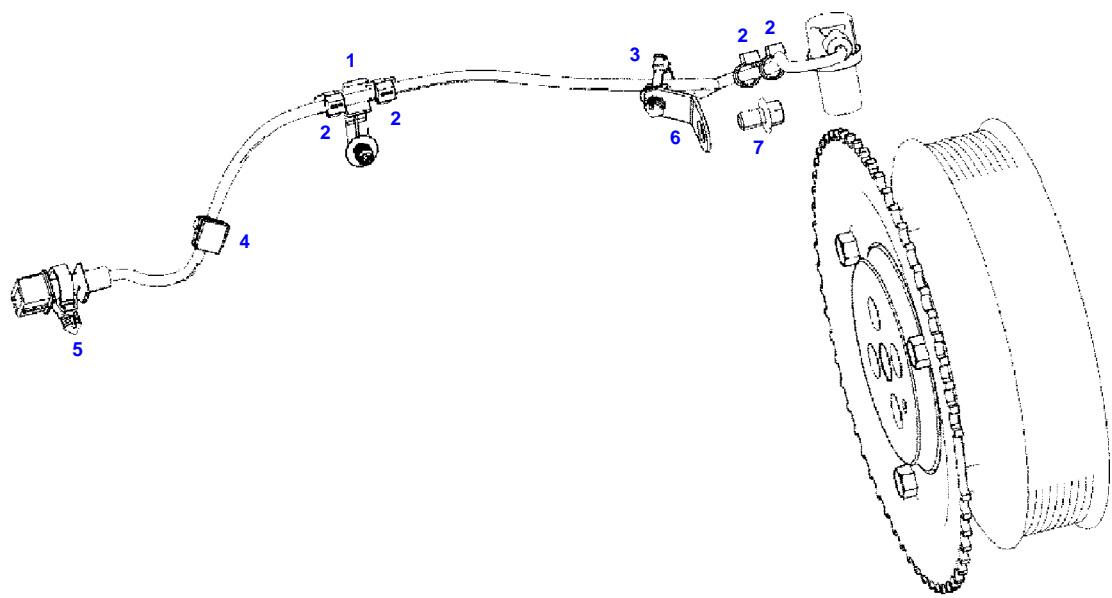
FENDT 516 S4 (438/00101-05000) (WAM438XXX00F05001-99999)

F438000

TRANSMITTER

Page01-0015

| Item | Part Number | Qty | Description<br>Comments    | Technical Specification |
|------|-------------|-----|----------------------------|-------------------------|
|      |             |     | ENGINE SPEED<br>FASTENINGS |                         |
| 1    | 72315460    | 1   | SOCKET HEAD BOLT           | DIN 912 M6X16-8.8       |



F060457



---

Fendt

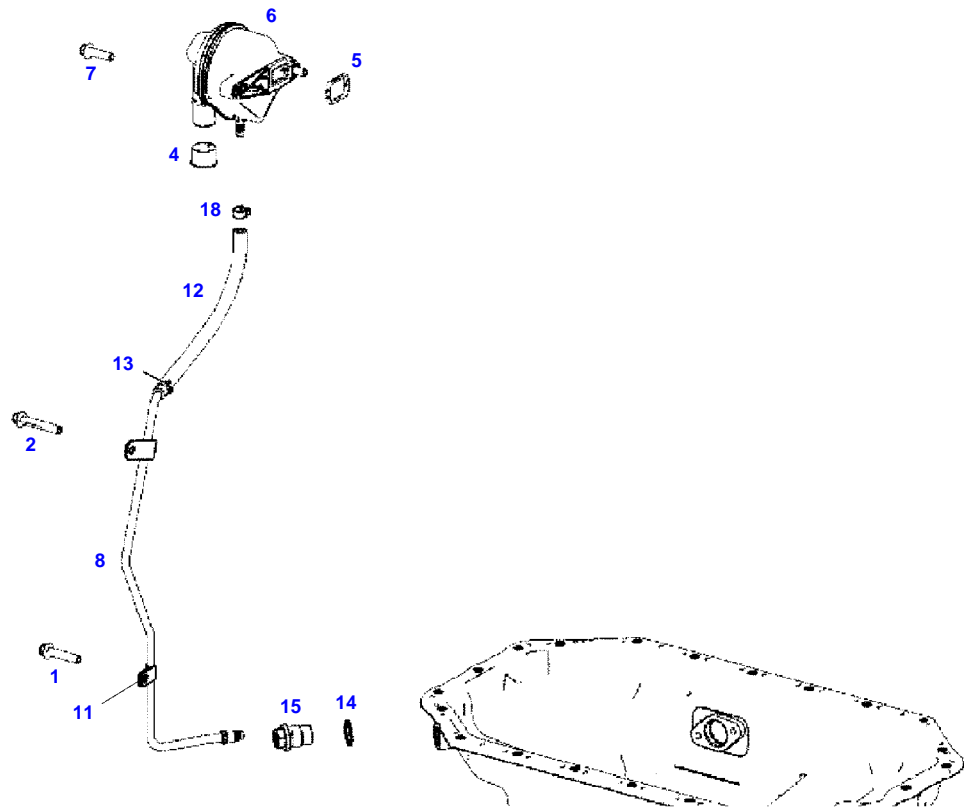
FENDT 516 S4 (438/00101-05000) (WAM438XXX00F05001-99999)

F438000

CONNECTING PIPE - FIXING PARTS

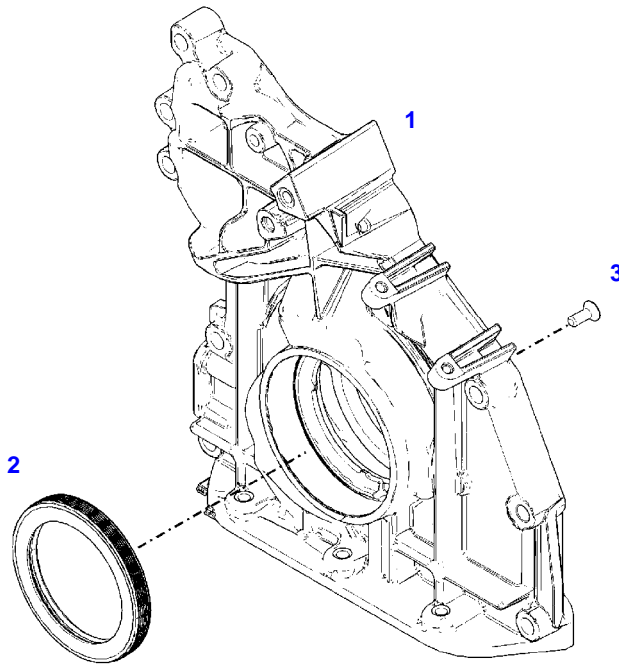
Page01-0016

| Item | Part Number | Qty | Description<br>Comments | Technical Specification |
|------|-------------|-----|-------------------------|-------------------------|
| 1    | 72613268    | 1   | PLASTIC CLIP            |                         |
| 2    | 72416001    | 4   | RETAINING STRAP         |                         |
| 3    | 72455561    | 1   | RETAINING STRAP         |                         |
| 4    | 72614683    | 1   | RETAINING STRAP         |                         |
| 5    | 72436349    | 1   | RETAINING STRAP         |                         |
| 6    | ACP0152700  | 1   | RETAINING SHEET METAL   |                         |
| 7    | 72613267    | 1   | HEXAGONAL HEAD BOLT     | M8X12                   |



F060461

| Item | Part Number | Qty | Description<br>Comments    | Technical Specification |
|------|-------------|-----|----------------------------|-------------------------|
| 1    | 72325457    | 1   | HEXAGONAL HEAD BOLT        |                         |
| 2    | 72325453    | 1   | HEXAGONAL HEAD BOLT        |                         |
| 4    | ACP0153300  | 1   | LOCKING PLUG               |                         |
| 5    | 72455795    | 1   | SEAL                       |                         |
| 6    | 72437250    | 1   | BREATHER<br>><5            |                         |
| 7    | 72325293    | 2   | HEXAGONAL HEAD BOLT        | M8X30                   |
| 8    | ACP0153020  | 1   | OIL RETURN LINE<br>><11-13 |                         |
| 11   | 72425772    | 1   | PIPE CLAMP                 |                         |
| 12   | 72495349    | 1   | RUBBER HOSE                |                         |
| 13   | 72479013    | 1   | HOSE CLIP                  |                         |
| 14   | 72439874    | 1   | SEALING WASHER             |                         |
| 15   | 72436504    | 1   | LOCK VALVE                 |                         |
| 18   | 72479013    | 1   | HOSE CLIP                  |                         |



041342

Fendt

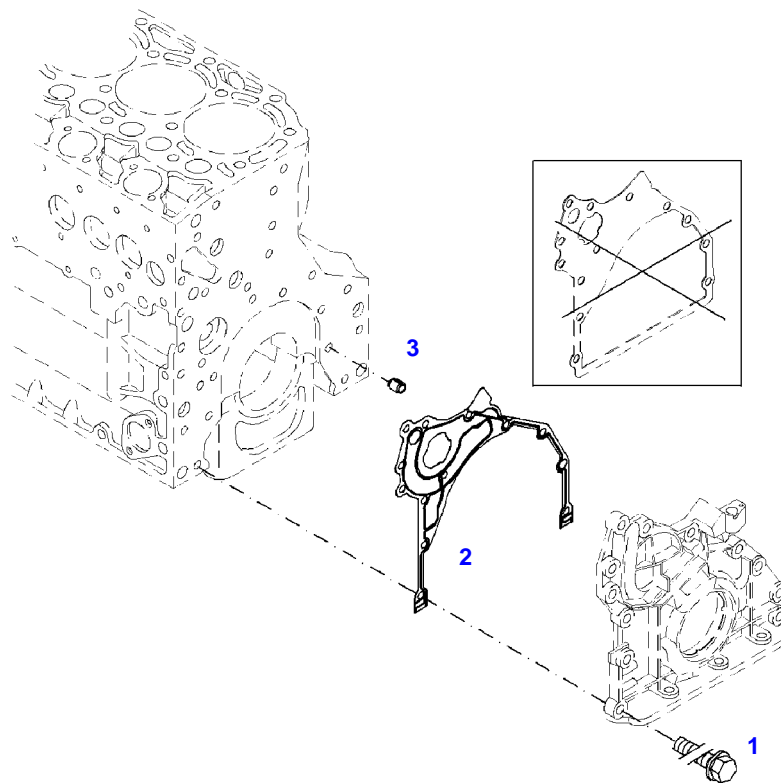
FENDT 516 S4 (438/00101-05000) (WAM438XXX00F05001-99999)

F438000

FRONT COVER

Page01-0018

| Item | Part Number | Qty | Description<br>Comments                             |
|------|-------------|-----|---|
|      |             |     | <b>INTEGRATED OIL PUMP</b>                          |
| 1    | 72630300    | 1   | CRANKCASE END COVER<br>INTEGRATED OIL PUMP<br>><2,3 |
| 2    | 72479487    | 1   | SHAFT SEAL  |
| 3    | 72416228    | 8   | COUNTERSUNK CAPSCREW<br>M6X16                       |



041308

Thank you so much for reading.  
Please click the “Buy Now!”  
button below to download the  
complete manual.



After you pay.

You can download the most  
perfect and complete manual in  
the world immediately.

Our support email:

[ebooklibonline@outlook.com](mailto:ebooklibonline@outlook.com)