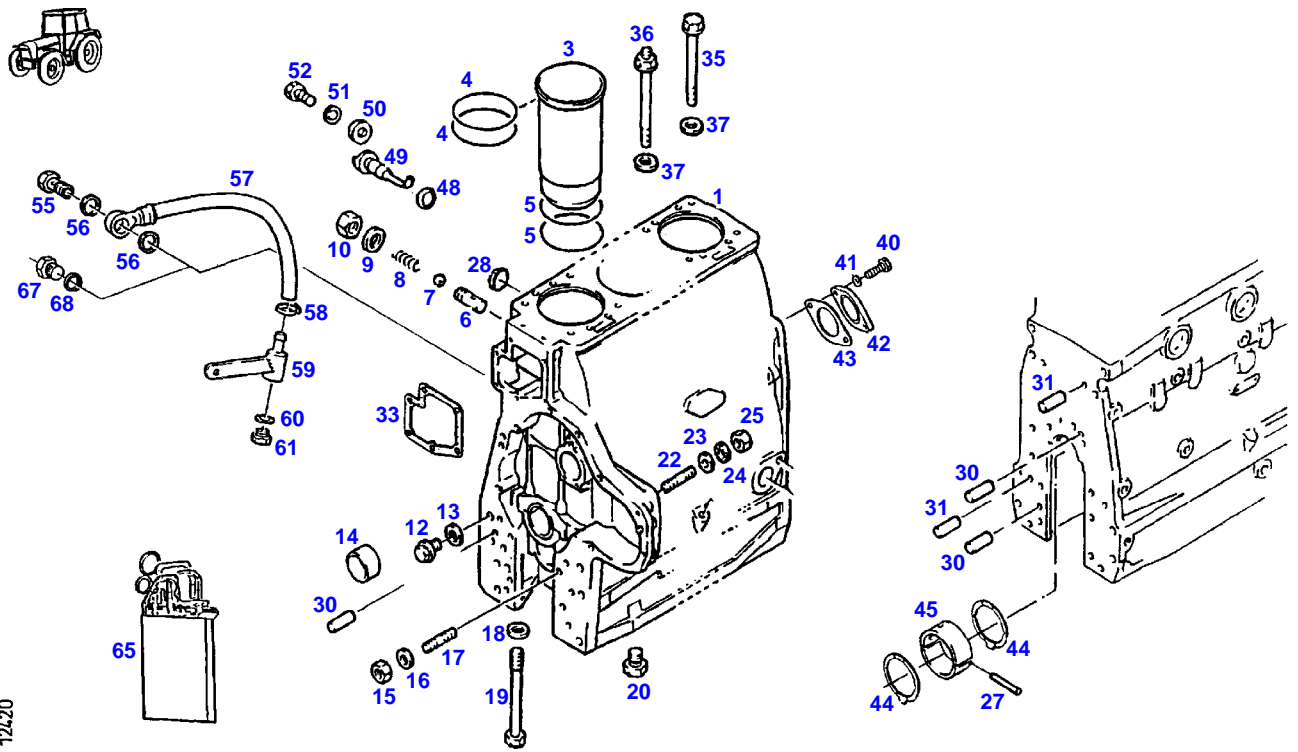


Page Number	Page Title	Page Reference
01-000-TOC	ENGINE, FUEL AND EXHAUST SYSTEM	01-000-TOC
02-000-TOC	AXLES	02-000-TOC
03-000-TOC	STEERING SYSTEM	03-000-TOC
04-000-TOC	DRIVE TRAIN SYSTEM	04-000-TOC
05-000-TOC	COMPRESSED AIR SYSTEM	05-000-TOC
06-000-TOC	HYDRAULIC SYSTEM	06-000-TOC
07-000-TOC	ELECTRICAL SYSTEM	07-000-TOC
08-000-TOC	CAB	08-000-TOC
09-000-TOC	AIR CONDITIONING AND HEATING SYSTEM	09-000-TOC
10-000-TOC	CHASSIS	10-000-TOC
11-000-TOC	WHEELS	11-000-TOC
12-000-TOC	IMPLEMENT LIFT SYSTEM FRONT	12-000-TOC
13-000-TOC	IMPLEMENT LIFT SYSTEM REAR	13-000-TOC
14-000-TOC	FRONT/REAR LOADERS	14-000-TOC
15-000-TOC	ACCESSORIES	15-000-TOC

FAVORIT 509 (509/00101-99999)
12420

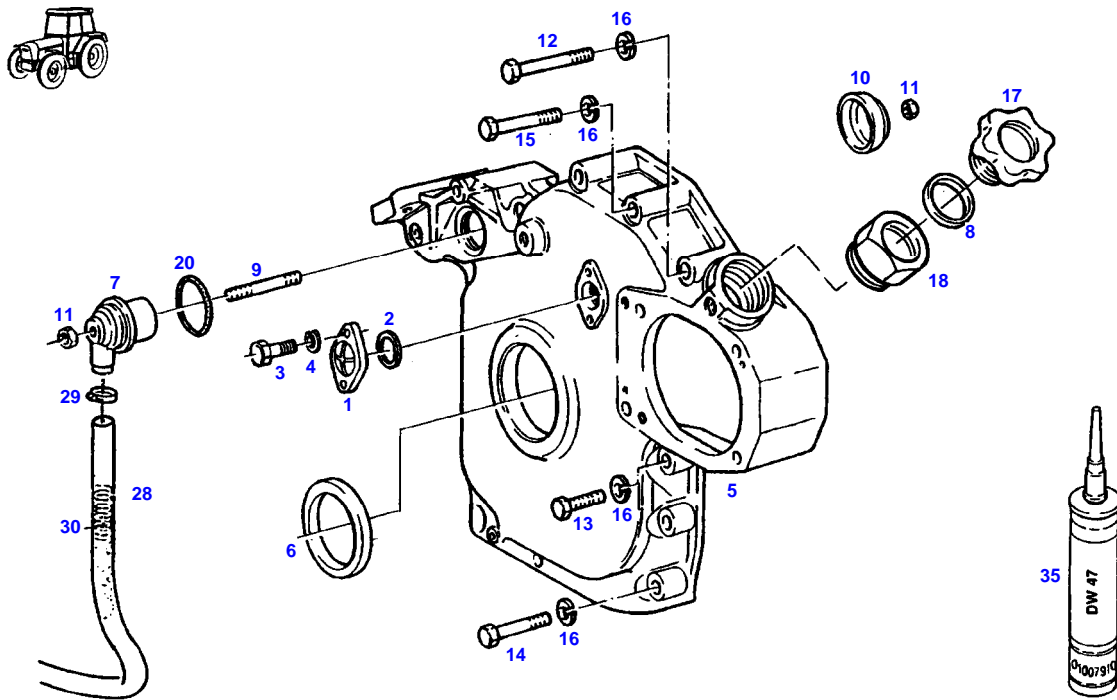


12420

Item	Part Number	Qty	Description Comments	Technical Specification
	72431117	1	DIESEL ENGINE <-- 509/0101 --> 509/0300 <-- 509/1001 --> 509/3000 F509	
	72431118	1	DIESEL ENGINE <-- 509/0301 --> 509/0400 <-- 509/3001 F509	
1	72416159	1	CRANKCASE ><3-28 ENG.NO. --> 765486 <> <>	
	72337035	1	HEXAGONAL HEAD BOLT	
	72416321	1	CAMSHAFT	
	72340921	1	MIDGRIP NUT	
	72340920	1	DISC	
	72329118	1	PIPE	
3	72425044	4	CYLINDER LINER	
	72416175	4	CYLINDER LINER OVERLAP 0,05 MM	
	72416176	4	CYLINDER LINER OVERLAP 0,1 MM	
4	72329541	8	SEAL	
	72431774	1	REPAIR KIT	
5	72343893	8	SEAL	
	72431774	1	REPAIR KIT	
6	72341074	1	SCREW PIECE	
7	72378872	1	BALL	DIN 5401-9,0MM
8	72341075	1	COMPRESSION SPRING	
9	72315097	1	SEALING WASHER	DIN 7603 A16X20-CU
10	72341076	1	CAP NUT	
12	72315436	1	SCREW	DIN 908 M10X1-ST A3L
13	72315088	1	SEALING WASHER	DIN 7603 A10X13,5-CU
14	72329540	1	BUSH	
15	72340921	1	MIDGRIP NUT	
16	72340920	1	DISC	
17	72374623	1	STUD BOLT	DIN 939-M8X25-8.8
18	72324592	10	DISC	
19	72327081	10	HEXAGONAL HEAD BOLT	
20	72337035	1	HEXAGONAL HEAD BOLT	
22	72313772	3	STUD BOLT	DIN 939 M8X30-8.8
23	72321257	3	DISC	
24	72315053	3	SPLIT WASHER	FWN 65208-8-A3L
25	72313268	3	NUT	DIN 934 M8-8A3L
27	72375130	5	TENSIONING PIN	ISO8752-4X8-A-ST-ZNPH
28	72377226	3	COVER	DIN 443-50
30	72313859	4	CYLINDER PIN	DIN 7-8M6X18-ST50K
31	72375324	2	CYLINDER PIN	DIN 7-10M6X28-ST50K
33	72327043	1	MOLDED SEAL	
35	72333013	14	SOCKET HEAD BOLT	
36	72333014	2	HEXAGONAL HEAD BOLT	
37	72324592	16	DISC	
40	72315650	2	HEXAGONAL HEAD BOLT	DIN 933 M8 X 20-8.8A3L
41	72315053	2	SPLIT WASHER	FWN 65208-8-A3L
42	72343896	1	COVER	
43	72333001	1	SEAL	
44	72343910	2	THRUST RING 70,00 MM	
	72343911	2	THRUST RING 69,79 MM	
	72343912	2	THRUST RING 69,54 MM	

Item	Part Number	Qty	Description Comments	Technical Specification
	72343913	2	THRUST RING 69,04 MM	
45	72341078	5	MAIN BEARING 70,00 MM	
	72341079	5	MAIN BEARING 69,79 MM	
	72341080	5	MAIN BEARING 69,54 MM	
	72341081	5	MAIN BEARING 69,29 MM	
	72341082	5	MAIN BEARING 69,04 MM	
48	72376423	4	O-RING	14X3-NBR 70 FWN56402
49	72334018	4	NOZZLE	
50	72334019	4	DISC	
51	72315053	4	SPLIT WASHER	FWN 65208-8-A3L
52	72315642	4	HEXAGONAL HEAD BOLT	DIN 933 M8 X 16-8.8A3L
55	72315808	1	BANJO BOLT --> 509/1411	DIN 7643-10-3-A3L
56	72315094	2	SEALING WASHER --> 509/1411	DIN 7603 A14X18-CU
57	72313976	1	COOLING WATER DRAIN LINE --> 509/1411	
58	72438345	1	HOSE CLIP --> 509/1411	
59	72355704	1	HOSE RETAINER --> 509/1411	
60	72315088	1	SEALING WASHER --> 509/1411	DIN 7603 A10X13,5-CU
61	72315436	1	SCREW --> 509/1411	DIN 908 M10X1-ST A3L
65	72342939	1	SEAL KIT TD 226 B-4	
67	72315799	1	PLUG <-- 509/1412	DIN 7604 AM14X1,5-A3L
68	72315094	1	SEALING WASHER <-- 509/1412	DIN 7603 A14X18-CU

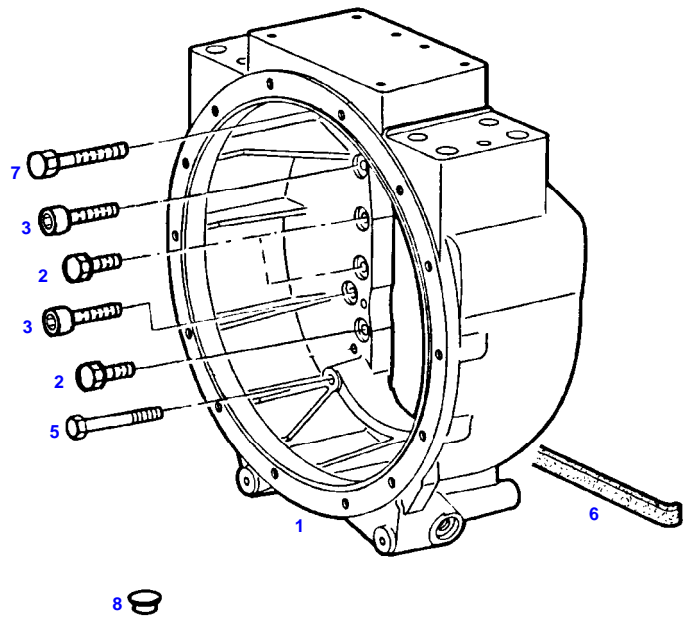
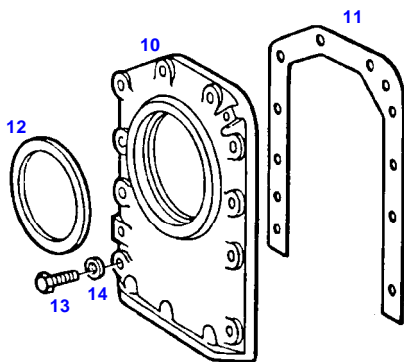
FAVORIT 509 (509/00101-99999)
8328



8328

Item	Part Number	Qty	Description Comments	Technical Specification
1	72343896	1	COVER	
2	72376544	1	O-RING	42,2X3-NBR 70 FWN56402
3	72315650	2	HEXAGONAL HEAD BOLT	DIN 933 M8 X 20-8.8A3L
4	72317121	2	SPRING WASHER	DIN 137 B8-MECH.VZK
5	72342971	1	CRANKCASE END COVER	
6	72332982	1	RADIAL SEALING RING	
7	72326907	1	HOUSING	
8	72376514	1	O-RING	32X4-NBR 70 FWN56402
9	72326906	1	THREADED PIN	
10	72326904	1	COVER PANEL	
11	72372804	2	NUT	DIN 934 M6-10
12	72315535	1	HEXAGONAL HEAD BOLT	DIN 931 M8X75 GWA-10.9
13	72315660	1	HEXAGONAL HEAD BOLT	DIN 933 M8X35-8.8A3L
14	72374372	7	HEXAGONAL HEAD BOLT	DIN 931 M8X45S-8.8
15	72315534	5	HEXAGONAL HEAD BOLT	DIN 931 M8 X 70-8.8
16	72315053	13	SPLIT WASHER	FWN 65208-8-A3L
17	72321607	1	PLUG	
18	72342977	1	EXTENSION TUBE	
20	72376538	1	O-RING	40X4
28	72436284	1	HOSE 1X 830MM CUT TO LENGTH	L=1120 FWN65912-19X3-PVC-W-G
29	72311166	1	HOSE CLIP	
30	72407980	1	COMPRESSION SPRING	
35	72311273	1	SEALING COMPOUND	TEROST-63S

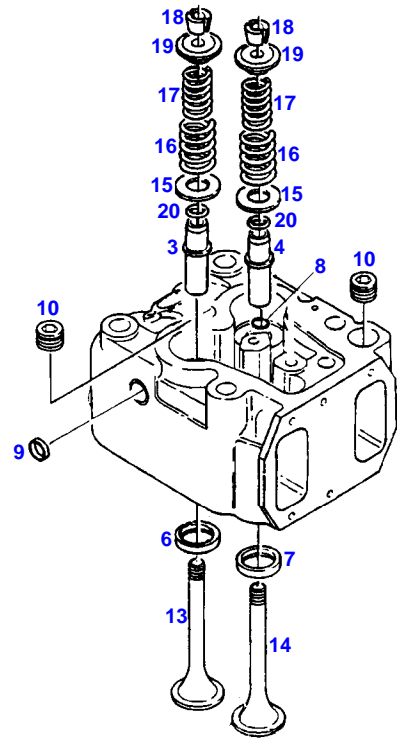
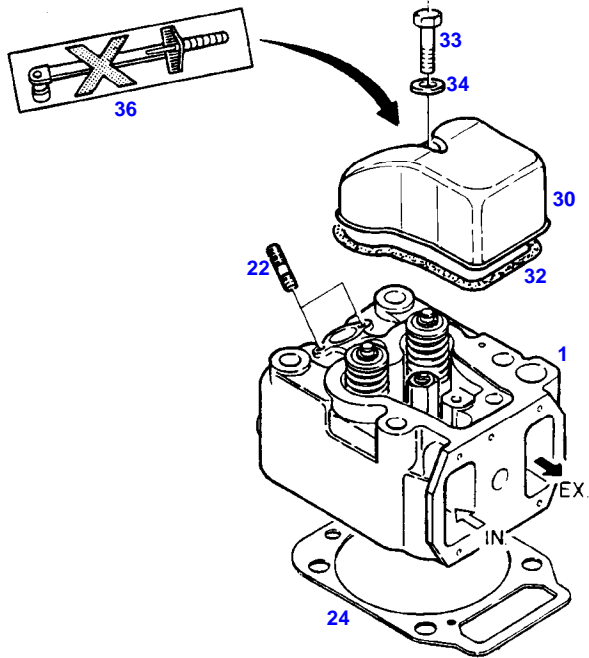
FAVORIT 509 (509/00101-99999)
8329



8329

Item	Part Number	Qty	Description Comments	Technical Specification
1	72407273	1	HOUSING	
2	72315686	10	HEXAGONAL HEAD BOLT	DIN 933-M10X35-12.9
3	72374073	4	SOCKET HEAD BOLT ALTERNATIVELY	DIN 912 M12X45-12.9
	72374469	4	HEXAGONAL HEAD BOLT ALTERNATIVELY	DIN 933-M12X45-12.9
5	72374189	2	HEXAGONAL HEAD BOLT	DIN 931 M10X85-12.9
6	72325584	1	RUBBER STRIP	
7	72374220	4	HEXAGONAL HEAD BOLT	DIN 931-M12X80-12.9
8	72314763	4	LOCKING PLUG F211	F211
	72375092	6	LOCKING PLUG F12	V14
	72375075	1	LOCKING PLUG F3	F3
	72314748	4	LOCKING PLUG F11	SW-F11
10	72330754	1	CRANKCASE END COVER ><12	
11	72330755	1	MOLDED SEAL	
12	72376834	1	SHAFT SEAL	110X130X14,5
13	72315652	10	HEXAGONAL HEAD BOLT	DIN 933 M8X25-8.8
14	72317121	10	SPRING WASHER	DIN 137 B8-MECH.VZK

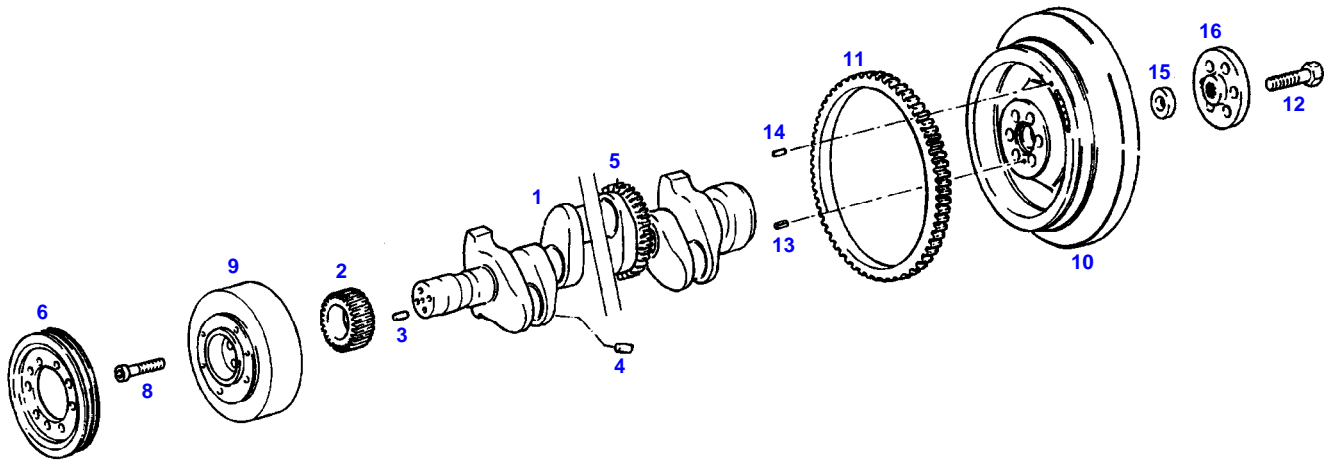
FAVORIT 509 (509/00101-99999)
10872



10872

Item	Part Number	Qty	Description Comments	Technical Specification
1	72342974	4	CYLINDER HEAD ><3-20	
3	72343644	4	VALVE GUIDE INTAKE	
4	72343645	4	VALVE GUIDE OUTLET	
6	72343650	4	VALVE SEAT RING INTAKE	
7	72343902	4	VALVE SEAT RING OUTLET	
8	72327100	8	LOCKWASHER	
9	72311455	12	COVER	
10	72373948	8	PLUG SCREW	DIN 906 M22X1,5-ST
13	72343651	4	POPPET	
14	72343905	4	POPPET	
15	72340915	8	DISC	
16	72340913	8	VALVE SPRING	
17	72340914	8	VALVE SPRING	
18	72327092	16	TAPER PIECE HALF	
19	72327093	8	SPRING RETAINER	
20	72343647	8	SEAL	
22	72374627	8	STUD BOLT	DIN 939 M8X40-8.8
24	72343992	4	CYLINDER HEAD GASKET	
	72431774	1	REPAIR KIT	
30	72343906	4	CYLINDER HEAD COVER	
32	72343908	4	MOLDED SEAL	
33	72315659	4	HEXAGONAL HEAD BOLT	DIN 933 M8X35-8.8
34	72315087	4	SEALING WASHER	DIN 7603 A8X14-CU
36	72342973	4	LABEL	

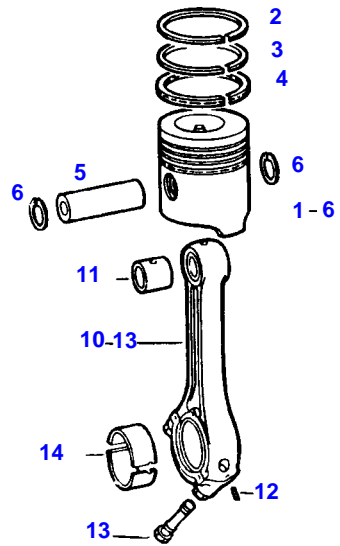
FAVORIT 509 (509/00101-99999)
8812



8812

Item	Part Number	Qty	Description Comments	Technical Specification
1	72342940	1	CRANKSHAFT ><2-5	
2	72341105	1	SPUR GEAR	
3	72313801	1	TENSIONING PIN	ISO8752-4X14-A-ST
4	72337059	4	PLUG	
5	72329220	1	RING GEAR	
6			SEE V-BELT	
8	72374113	4	SOCKET HEAD BOLT	DIN 912 M16X50-10.9
9	72332454	1	HUB	
10	72344803	1	FLYWHEEL ><11,14	
11	72330772	1	RING GEAR	
12	72315736	6	HEXAGONAL HEAD BOLT	DIN 933 M16X50 GWA-10.9
13	72375149	1	TENSIONING PIN	ISO8752-6X10-A-ST
14	72344730	1	PIN	
15	72341111	1	FLANGE BUSHING	
16	72410758	1	COUPLING FLANGE	

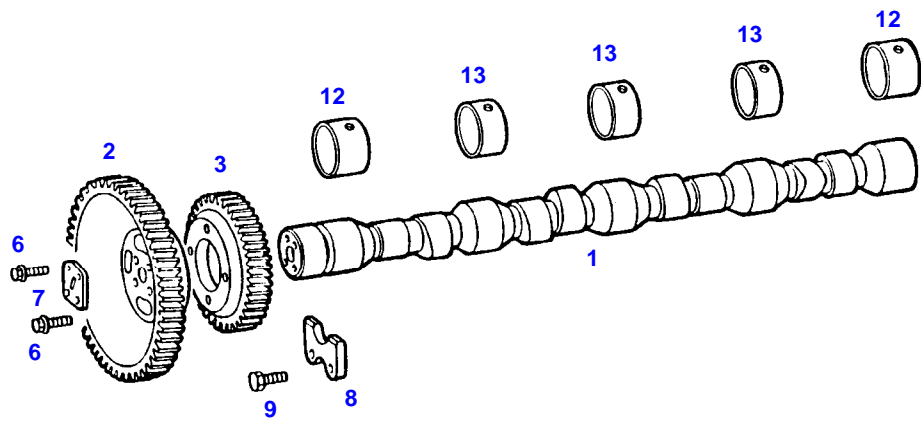
FAVORIT 509 (509/00101-99999)
3119



3119

Item	Part Number	Qty	Description Comments	Technical Specification
1	72333026	4	PISTON ><2-6	
2	72333027	4	PISTON RING KIT ><2-4	
3			NOT AVAILABLE IN SINGLE PARTS	
4			NOT AVAILABLE IN SINGLE PARTS	
5			NOT AVAILABLE IN SINGLE PARTS	
6	72332584	8	LOCKWASHER	
10	72343926	4	PISTON ROD ><11-13	
11	72341118	4	SMALL-END BUSH	
12	72313802	4	TENSIONING PIN	ISO8752-4X16-A-ST-ZNPHR10F-KOE
13	72327143	8	CONNECTING ROD BOLT	
14	72341119	4	CONNECTING ROD BEARING 63,00 MM	
	72341120	4	CONNECTING ROD BEARING 62,75 MM	
	72341121	4	CONNECTING ROD BEARING 62,50 MM	
	72341122	4	CONNECTING ROD BEARING 62,25 MM	
	72341123	4	CONNECTING ROD BEARING 62,00 MM	

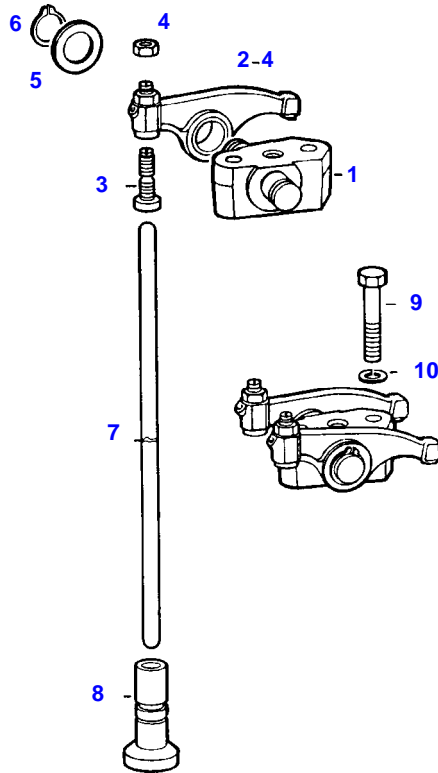
FAVORIT 509 (509/00101-99999)
4893



4893

Item	Part Number	Qty	Description Comments	Technical Specification
1	72416321	1	CAMSHAFT	
2	72343928	1	SPUR GEAR	
3	72343929	1	SPUR GEAR	
6	72375063	8	LOCK SCREW	FWN 64993 M8X22-12.9
7	72331325	1	PROFILED FLANGE	
8	72343930	1	SEGMENT	
9	72375061	2	LOCK SCREW	W151.12 M8X16-90
12	72332989	2	BUSH REPAIR STEP	
13	72332990	3	BUSH REPAIR STEP	

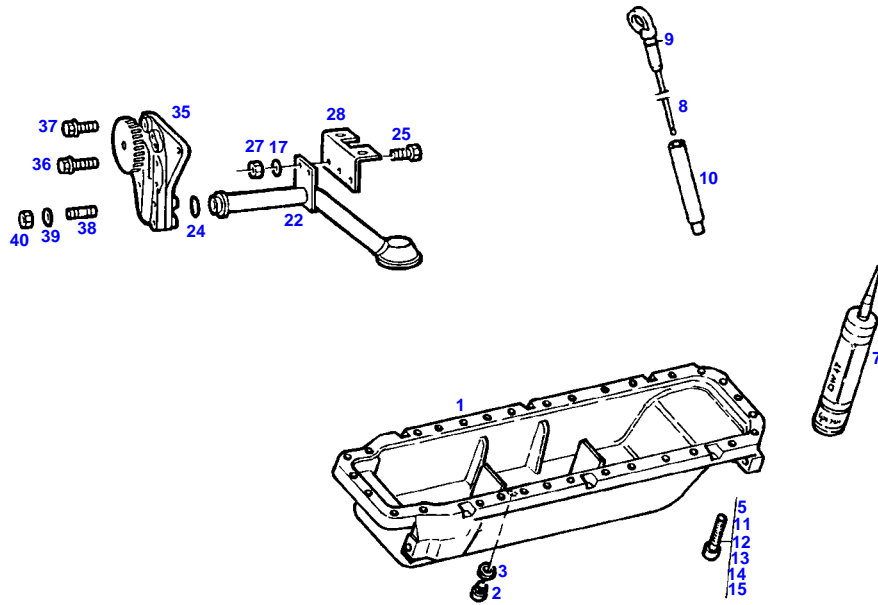
FAVORIT 509 (509/00101-99999)
3121



3121

Item	Part Number	Qty	Description Comments	Technical Specification
1	72343933	4	ROCKER ARM SUPPORT	
2	72343934	8	ROCKER ARM ><3+4	
3	72343935	8	ADJUSTING SCREW	
4	72343936	8	NUT	
5	72321237	16	DISC	
6	72375559	8	LOCK WASHER	DIN 471-16X1
7	72330785	8	BUMPER	
8	72343937	8	MUSHROOM TAPPET	
	72423816	8	MUSHROOM TAPPET OVERSIZE 19,5 MM	
9	72315691	8	HEXAGONAL HEAD BOLT	DIN 933 M10X40-8.8A3L
10	72315054	8	SPLIT WASHER	FWN 65208-10-A3L

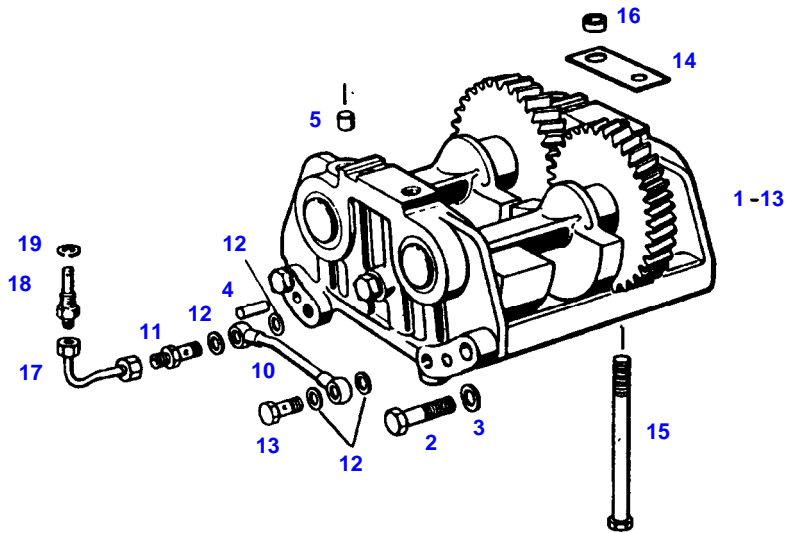
FAVORIT 509 (509/00101-99999)
8771



8771

Item	Part Number	Qty	Description Comments	Technical Specification
1	72344596	1	OIL PAN ><2,3	
2	72373963	1	HEX CAP SCREW	DIN 908-G1/2A-ST
3	72332580	1	SEALING WASHER	
5	72374041	3	SOCKET HEAD BOLT	DIN 912-M8X170-10.9
7	72311273	1	SEALING COMPOUND	TEROST-63S
8	72344732	1	DIPSTICK	
9	72376384	1	O-RING	7,3X2,4
10	72329118	1	PIPE	
11	72374024	7	SOCKET HEAD BOLT	DIN 912-M8X45-10.9
12	72315484	18	SOCKET HEAD BOLT	DIN 912 M8X65-10.9A3L
13	72374032	2	SOCKET HEAD BOLT	DIN 912 M8X100-10.9
14	72374038	3	SOCKET HEAD BOLT	DIN 912 M8X140-10.9
15	72374073	4	SOCKET HEAD BOLT	DIN 912 M12X45-12.9
17	72315053	2	SPLIT WASHER	FWN 65208-8-A3L
22	72332528	1	LUBE OIL SUCTION LINE	
24	72376462	1	O-RING	20X4-FPM 70 FWN56402
25	72315642	2	HEXAGONAL HEAD BOLT	DIN 933 M8 X 16-8.8A3L
27	72372805	2	NUT	DIN 934 M8-10 C2A
28	72330779	1	GUSSET PLATE	
35	72332187	1	OIL GEAR PUMP	
36	72375067	1	LOCK SCREW	FWN 64993 M8X35-90
37	72375063	1	LOCK SCREW	FWN 64993 M8X22-12.9
38	72374623	1	STUD BOLT	DIN 939-M8X25-8.8
39	72340920	1	DISC	
40	72340921	1	MIDGRIP NUT	

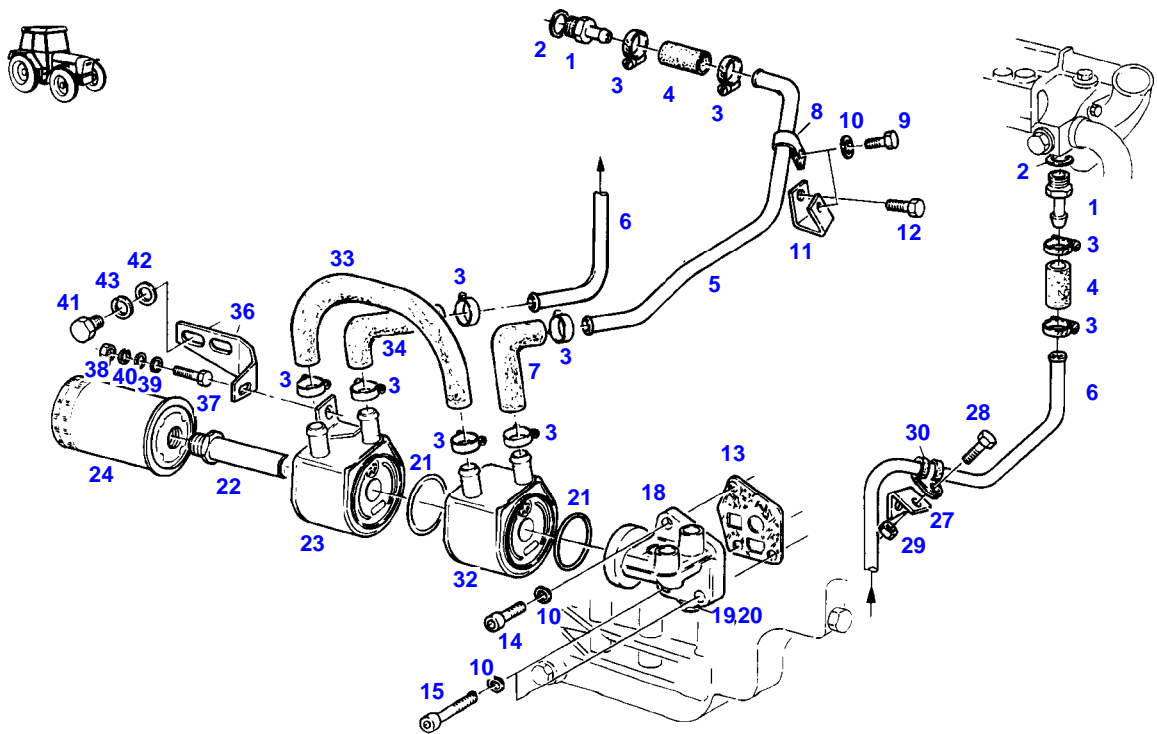
FAVORIT 509 (509/00101-99999)
5260



5260

Item	Part Number	Qty	Description Comments	Technical Specification
1	72318354	1	COUNTERBALANCING ><2-13	
2	72374177	3	HEXAGONAL HEAD BOLT	DIN 931 M10X45-8.8
3	72315054	3	SPLIT WASHER	FWN 65208-10-A3L
4	72372613	2	TAPER PIN	DIN 258-8X55-ST50K
5	72325101	4	PLUG	
10	72329212	1	LUBRICANT PRESSURE LINE	
11	72329213	1	SCREW PIECE	
12	72315088	4	SEALING WASHER	DIN 7603 A10X13,5-CU
13	72315806	1	BANJO BOLT	DIN 7643-6-3-A3L
14	72329210	X	SHIM	
15	72374198	4	HEXAGONAL HEAD BOLT	DIN 931 M10X105-8.8
16	72332521	2	LOCATING SLEEVE	
17	72329225	1	OIL PRESSURE LINE	
18	72329224	1	SCREW PIECE	
19	72315098	1	SEALING WASHER	DIN 7603 A16X22-CU

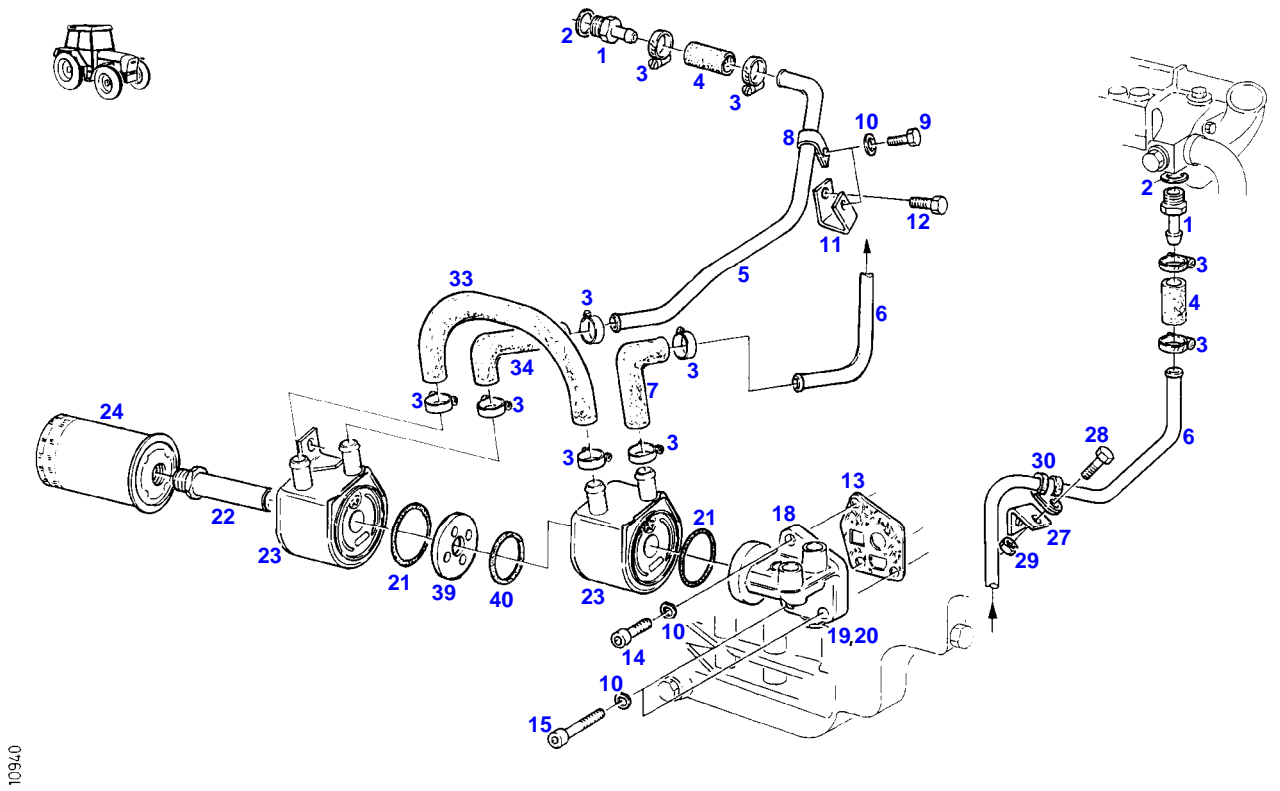
FAVORIT 509 (509/00101-99999)
7785



7785

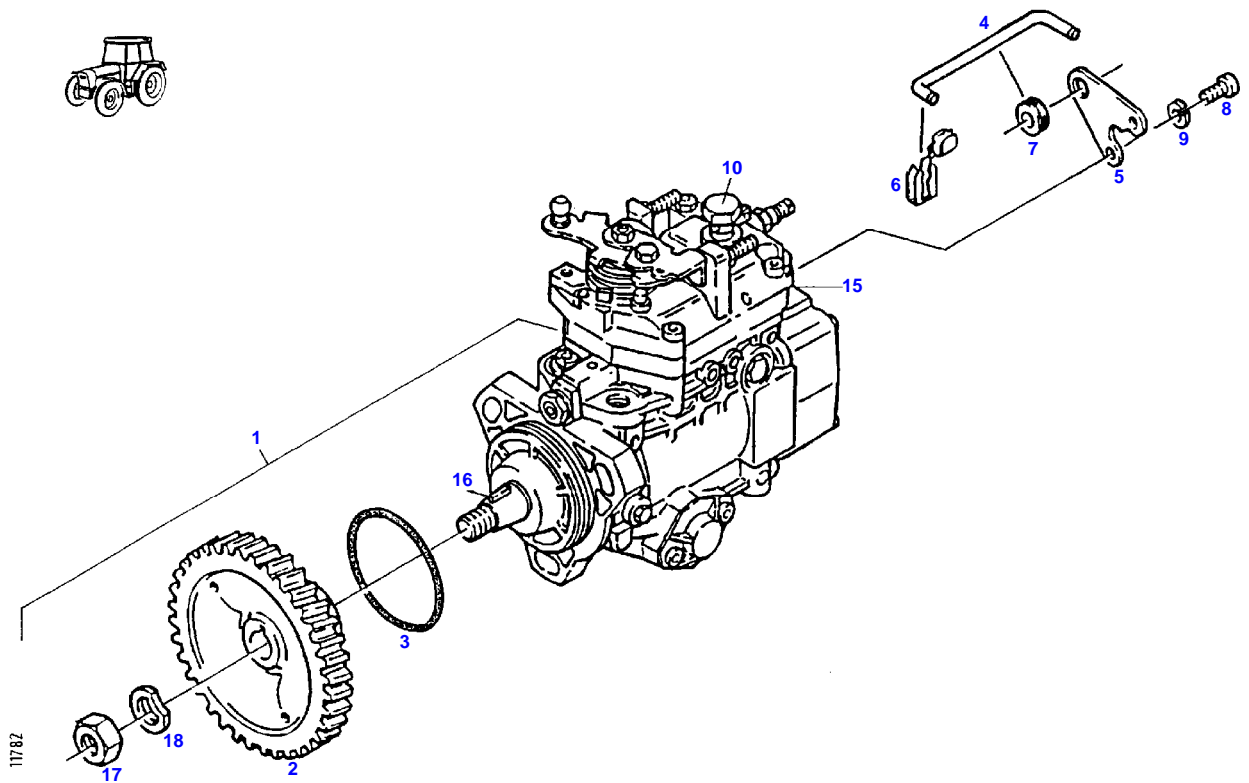
Item	Part Number	Qty	Description Comments	Technical Specification
			--> 509/3142	
1	72396595	2	HOSE BARB	
2	72315101	2	SEALING WASHER	DIN 7603 A22X27-CU
3	72311167	10	HOSE CLIP	
4	72396335	2	HOSE PIECE	
5	72397336	1	COOLANT LINE	
6	72397337	1	COOLANT LINE	
7	72435869	1	RUBBER ARCH	
8	72386726	1	PIPE CLAMP	
9	72315675	1	HEXAGONAL HEAD BOLT	DIN 933 M10X16-8.8A3L
10	72317122	4	SPRING WASHER	DIN 137 B10-MECH.VZK
11	72397289	1	RETAINER	
12	72315704	1	HEXAGONAL HEAD BOLT	DIN 933 M12X16-8.8A3L
13	72327148	1	MOLDED SEAL	
14	72315494	1	SOCKET HEAD BOLT	DIN 912 M10X30-8.8
15	72315498	2	SOCKET HEAD BOLT	DIN 912 M10X40-8.8 OB1-SW
18	72325601	1	FILTER HEAD ><18-20 <-- G510.201.900.100	
19	72325606	1	VALVE	
20	72376031	1	SEALING WASHER	DIN 7603 A20X24-CU
21	72396334	2	O-RING	
22	72395943	1	SCREW PIECE	
23	72348618	1	OIL COOLER SET (2 PIECE) <>	
	72327148	1	MOLDED SEAL	
24	72334900	1	OIL FILTER	
27	72397338	1	ANGLE	
28	72315626	1	HEXAGONAL HEAD BOLT	DIN 933-M6 X 16-8.8-A3L
29	72313266	1	NUT	DIN 934 M6-8A3L
30	72311247	1	PIPE CLAMP	
32			FOR REPLACEMENT USE POS. 23	
33	72395902	1	HOSE ARCH	
34	72395942	1	HOSE ARCH	
36	72395940	1	RETAINER	
37	72315642	1	HEXAGONAL HEAD BOLT	DIN 933 M8 X 16-8.8A3L
38	72313268	1	NUT	DIN 934 M8-8A3L
39	72311788	2	DISC	DIN 125-8,4-ST.A3L
40	72317121	1	SPRING WASHER	DIN 137 B8-MECH.VZK
41	72315721	1	HEXAGONAL HEAD BOLT	DIN 933 M14X25-8.8A3L
42	72311805	1	DISC	DIN 433-15-ST.A3L
43	72375406	1	SPRING WASHER	DIN 137 B14-MECH.VZK GE.CR

FAVORIT 509 (509/00101-99999)
10940



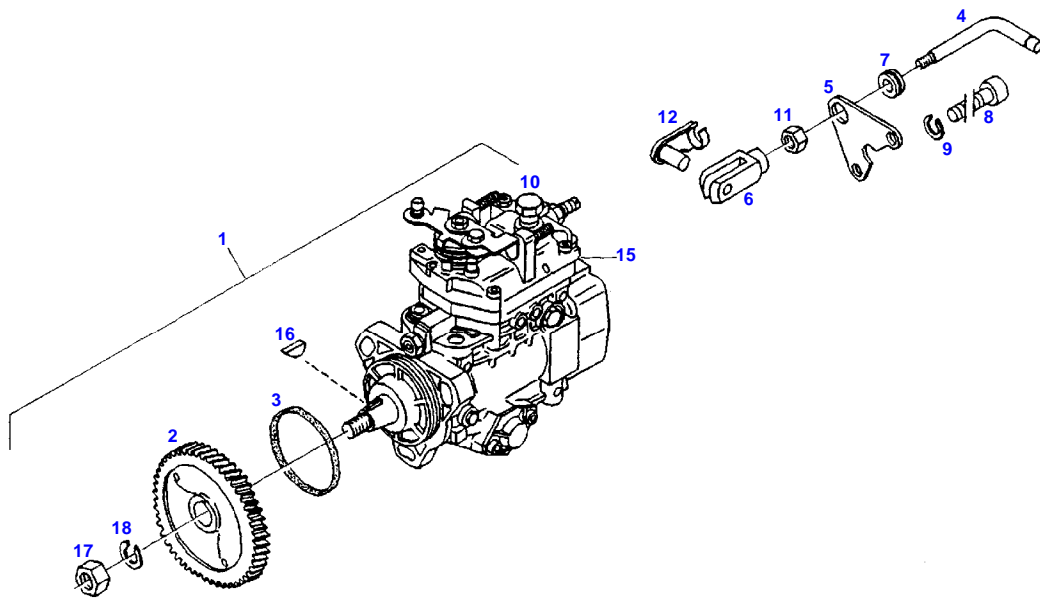
Item	Part Number	Qty	Description Comments	Technical Specification
			<-- 509/3143	
1	72396595	2	HOSE BARB	
2	72315101	2	SEALING WASHER	DIN 7603 A22X27-CU
3	72311167	10	HOSE CLIP	
4	72396335	2	HOSE PIECE	
5	72397336	1	COOLANT LINE	
6	72397337	1	COOLANT LINE	
7	72435869	1	RUBBER ARCH	
8	72386726	1	PIPE CLAMP	
9	72315675	1	HEXAGONAL HEAD BOLT	DIN 933 M10X16-8.8A3L
10	72317122	4	SPRING WASHER	DIN 137 B10-MECH.VZK
11	72397289	1	RETAINER	
12	72315704	1	HEXAGONAL HEAD BOLT	DIN 933 M12X16-8.8A3L
13	72327148	1	MOLDED SEAL	
14	72315494	1	SOCKET HEAD BOLT	DIN 912 M10X30-8.8
15	72315498	2	SOCKET HEAD BOLT	DIN 912 M10X40-8.8 OB1-SW
18	72350565	1	FILTER HEAD ><18-20	
19	72325606	1	VALVE	
20	72376031	1	SEALING WASHER	DIN 7603 A20X24-CU
21	72410911	2	SEALING RING	
22	72410560	1	SCREW PIECE	
23	72350652	2	OIL COOLER	
	72315797	2	PLUG SCREW	DIN 7604 AM10X1-ST A3L
	72315088	2	SEALING WASHER	DIN 7603 A10X13,5-CU
24	72334900	1	OIL FILTER	
27	72397338	1	ANGLE	
28	72315626	1	HEXAGONAL HEAD BOLT	DIN 933-M6 X 16-8.8-A3L
29	72313266	1	NUT	DIN 934 M6-8A3L
30	72311247	1	PIPE CLAMP	
33	72395902	1	HOSE ARCH	
34	72395942	1	HOSE ARCH	
39	72410908	1	INTERMEDIATE PLATE	
40	72410912	1	SEAL	
	72395940	1	RETAINER NOT ILLUSTRATED	
	72315642	1	HEXAGONAL HEAD BOLT NOT ILLUSTRATED	DIN 933 M8 X 16-8.8A3L

FAVORIT 509 (509/00101-99999)
11782



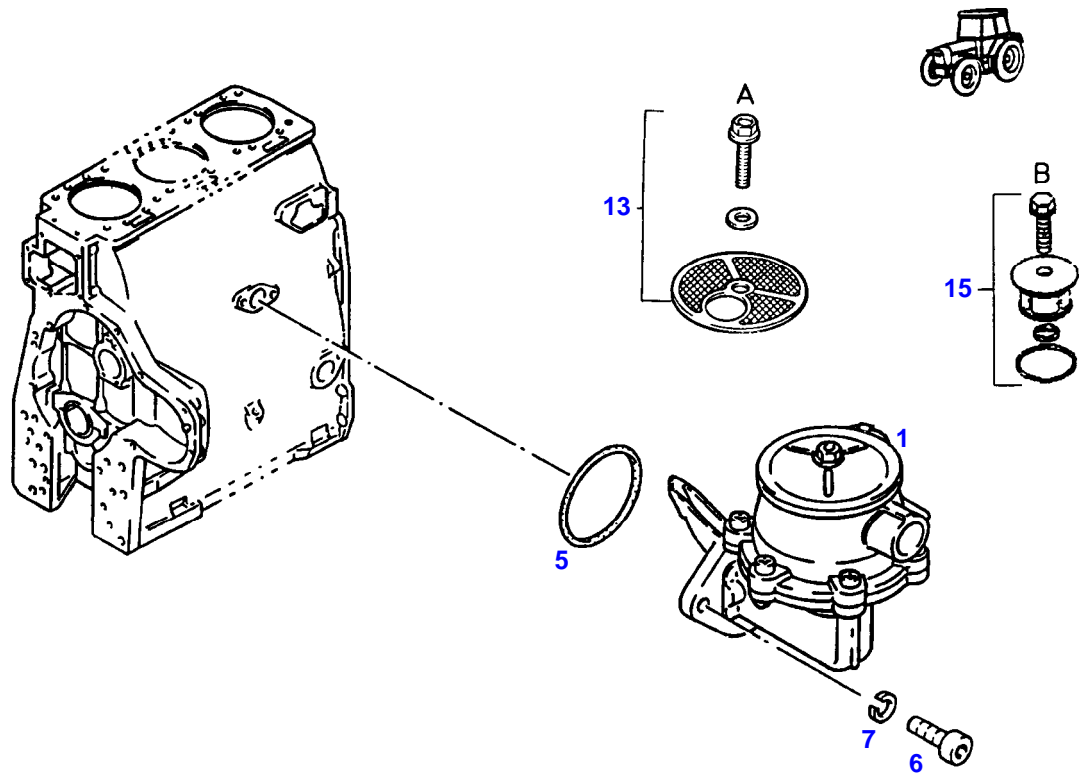
Item	Part Number	Qty	Description Comments	Technical Specification
			<-- 509/0101 --> 509/0400 <-- 509/1001 --> 509/3194	
1	72342924	1	INJECTION PUMP >>10,15-18	
2	72342991	1	SPUR GEAR	
3	72342992	1	O-RING	
4	72410862	1	ROD <>	
	72311306	1	CLEVIS	DIN 71752 G6X12-A3L
	72310445	1	BOLT	FWN 64072 6X12 A3L
	72313266	1	NUT	DIN 934 M6-8A3L
	72410863	1	RETAINING SHEET METAL	
5	72410863	1	RETAINING SHEET METAL <>	
	72313266	1	NUT	DIN 934 M6-8A3L
	72310445	1	BOLT	FWN 64072 6X12 A3L
	72410862	1	ROD	
	72311306	1	CLEVIS	DIN 71752 G6X12-A3L
6	72342995	1	LOCK SPRING	
7	72316354	1	CABLE BUSHING	9X12X16
8	72374005	1	SOCKET HEAD BOLT	DIN 912 M6X16-10.9
9	72315052	1	SPLIT WASHER	FWN 65208-6-A3L
10	72315350	1	BANJO BOLT	
15	72316840	1	SOLENOID SWITCH	
16	72416161	1	FITTING KEY	
17	72313281	1	NUT	DIN 934 M14X1,5-8A3L
18	72315056	1	SPLIT WASHER	FWN 65208-14-A3L

FAVORIT 509 (509/00101-99999)
12183



12183

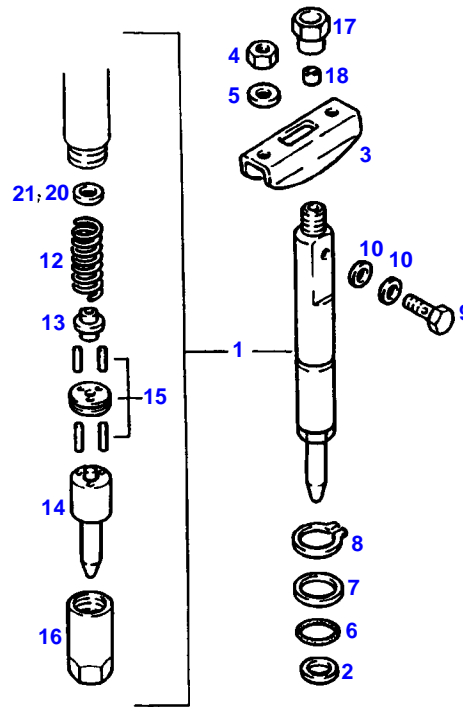
Item	Part Number	Qty	Description Comments	Technical Specification
			<-- 509/3195	
1	72342924	1	INJECTION PUMP ><10,15-18	
2	72342991	1	SPUR GEAR	
3	72342992	1	O-RING	
4	72410862	1	ROD	
5	72410863	1	RETAINING SHEET METAL	
6	72311306	1	CLEVIS	DIN 71752 G6X12-A3L
7	72316354	1	CABLE BUSHING	9X12X16
8	72374005	1	SOCKET HEAD BOLT	DIN 912 M6X16-10.9
9	72315052	1	SPLIT WASHER	FWN 65208-6-A3L
10	72315350	1	BANJO BOLT	
11	72372804	1	NUT	DIN 934 M6-10
12	72310445	1	BOLT	FWN 64072 6X12 A3L
15	72316840	1	SOLENOID SWITCH	
16	72416161	1	FITTING KEY	
17	72313281	1	NUT	DIN 934 M14X1,5-8A3L
18	72315056	1	SPLIT WASHER	FWN 65208-14-A3L



10871

Item	Part Number	Qty	Description Comments	Technical Specification
1	72342988	1	FUEL PUMP	
5	72342989	1	SEAL	
6	72374020	2	SOCKET HEAD BOLT	DIN 912 M8X20-10.9
7	72315053	2	SPLIT WASHER	FWN 65208-8-A3L
13	72324495	1	VERSION "A" REPAIR KIT IMSA	
15	72333472	1	VERSION "B" REPAIR KIT IMSA	

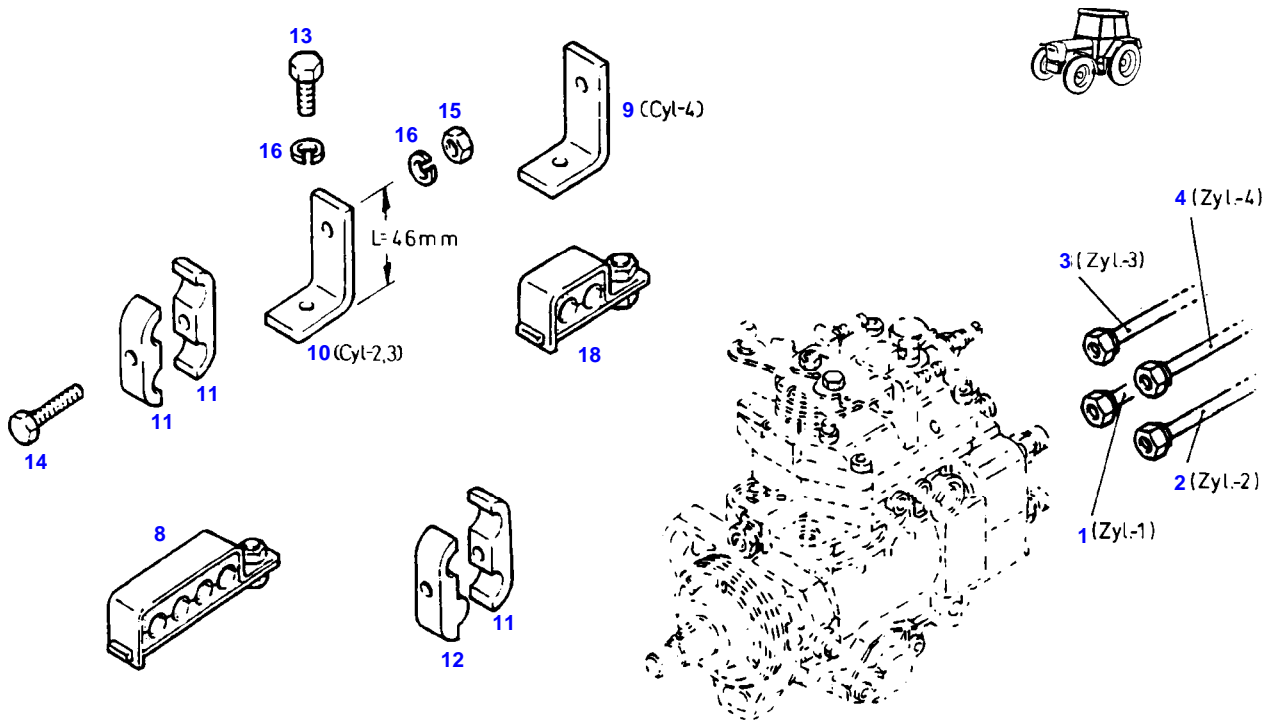
FAVORIT 509 (509/00101-99999)
8334



8334

Item	Part Number	Qty	Description Comments	Technical Specification
1	72342984	4	NOZZLE HOLDER ><9-13,14,15-21	
2	72343954	4	SEALING WASHER	
3	72343953	4	RETAINER BOW	
4	72313268	4	NUT	DIN 934 M8-8A3L
5	72311788	8	DISC	DIN 125-8,4-ST.A3L
6	72343955	4	SEAL	
7	72343956	4	DISC	
8	72375564	4	LOCK WASHER	DIN 471-21X1,2
9	72342985	4	SCREW	
10	72315084	8	SEALING WASHER	DIN 7603 A6X10-CU
12	72343950	4	COMPRESSION SPRING	
13	72343949	4	PRESSURE BOLT	
14	72342986	4	NOZZLE	
15	72343951	4	SHIM DISC	
16	72332998	4	CONNECTING NUT	
17	72343005	4	CONNECTING NUT	
18	72343006	4	DISC	
20	72311679	X	DISC 1,00 MM	
	72311680	X	DISC 1,10 MM	
	72311681	X	DISC 1,20 MM	
	72311682	X	DISC 1,30 MM	
	72311683	X	DISC 1,40 MM	
	72311684	X	DISC 1,50 MM	
	72311685	X	DISC 1,60 MM	
	72343964	X	DISC 1,70 MM	
	72311686	X	DISC 1,80 MM	
21	72311687	X	DISC 1,90 MM	

FAVORIT 509 (509/00101-99999)
10493

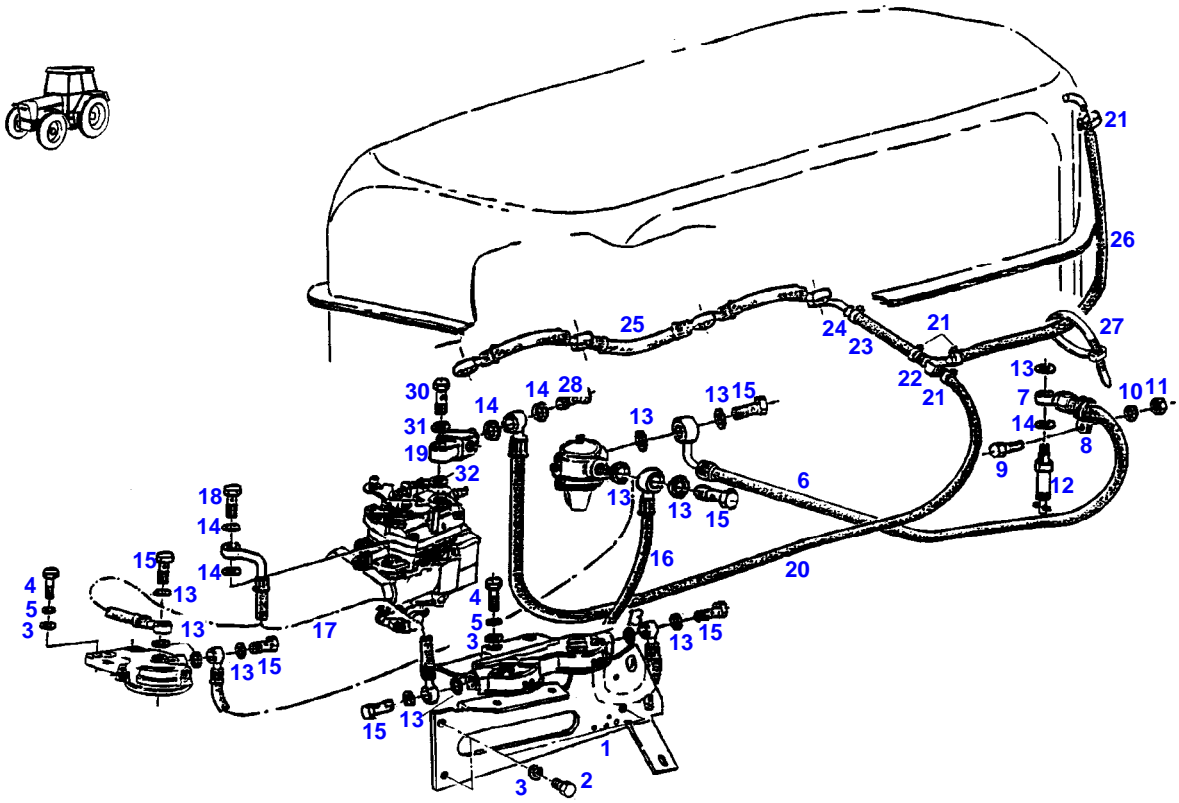


10493

FUEL PRESSURE LINES

Item	Part Number	Qty	Description Comments	Technical Specification
1	72344598	1	FUEL LINE CYLINDER 1	
2	72344599	1	FUEL LINE CYLINDER 2	
3	72344600	1	FUEL LINE CYLINDER 3	
4	72344601	1	FUEL LINE CYLINDER 4	
8	72333022	1	PIPE CLAMP	
9	72343976	1	ANGLE HEIGHT = 60 MM	
10	72343975	2	ANGLE HEIGHT = 46 MM	
11	72327982	4	CLIP HALF	
12	72327187	2	CLIP HALF	
13	72315629	3	HEXAGONAL HEAD BOLT	DIN 933 M6 X 12-8.8A3L
14	72315633	3	HEXAGONAL HEAD BOLT	DIN 933 M6X25-8.8A3L
15	72372804	3	NUT	DIN 934 M6-10
16	72315052	6	SPLIT WASHER	FWN 65208-6-A3L
18	72343004	2	PIPE CLAMP	

FAVORIT 509 (509/00101-99999)
8524



Thank you so much for reading.
Please click the “Buy Now!”
button below to download the
complete manual.



After you pay.

You can download the most
perfect and complete manual in
the world immediately.

Our support email:

ebooklibonline@outlook.com