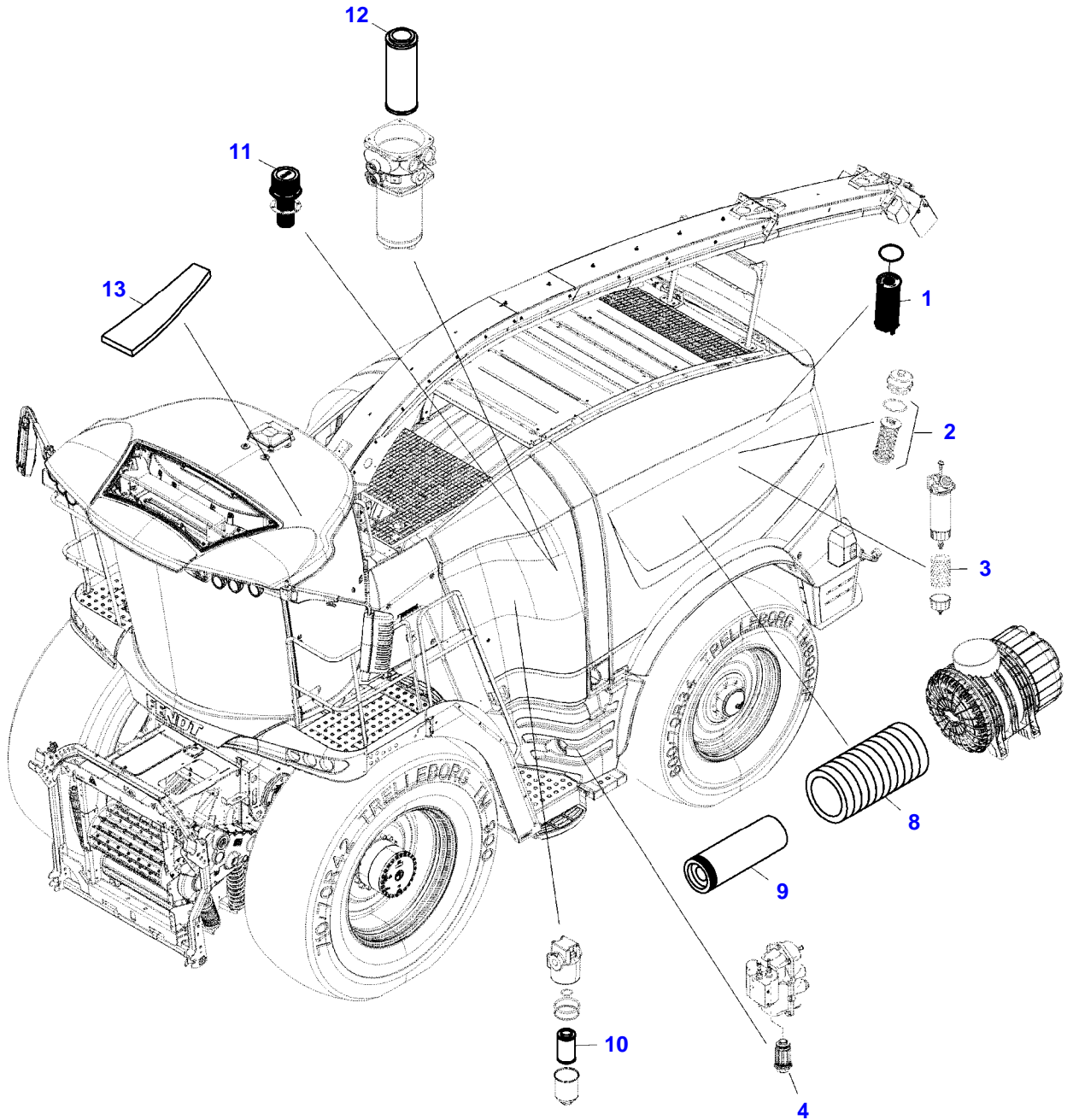


Page Number	Page Title	Page Reference
01-000-TOC	ENGINE, FUEL AND EXHAUST SYSTEM	01-000-TOC
02-000-TOC	DRIVE SYSTEM	02-000-TOC
03-000-TOC	AXLES	03-000-TOC
04-000-TOC	COMPRESSED AIR SYSTEM	04-000-TOC
05-000-TOC	HYDRAULIC SYSTEM	05-000-TOC
06-000-TOC	ELECTRICAL SYSTEM	06-000-TOC
07-000-TOC	CAB	07-000-TOC
08-000-TOC	AIR CONDITIONING AND HEATING SYSTEM	08-000-TOC
09-000-TOC	CHASSIS	09-000-TOC
10-000-TOC	WHEELS	10-000-TOC
11-000-TOC	INFEED	11-000-TOC
12-000-TOC	CHOPPING SYSTEM	12-000-TOC
13-000-TOC	UNLOADING SYSTEM	13-000-TOC
14-000-TOC	HARVEST DRIVE TRAIN SYSTEM	14-000-TOC
15-000-TOC	CENTRAL LUBRICATION SYSTEM	15-000-TOC
16-000-TOC	PRECISION FARMING SYSTEMS	16-000-TOC
17-000-TOC	ACCESSORIES	17-000-TOC

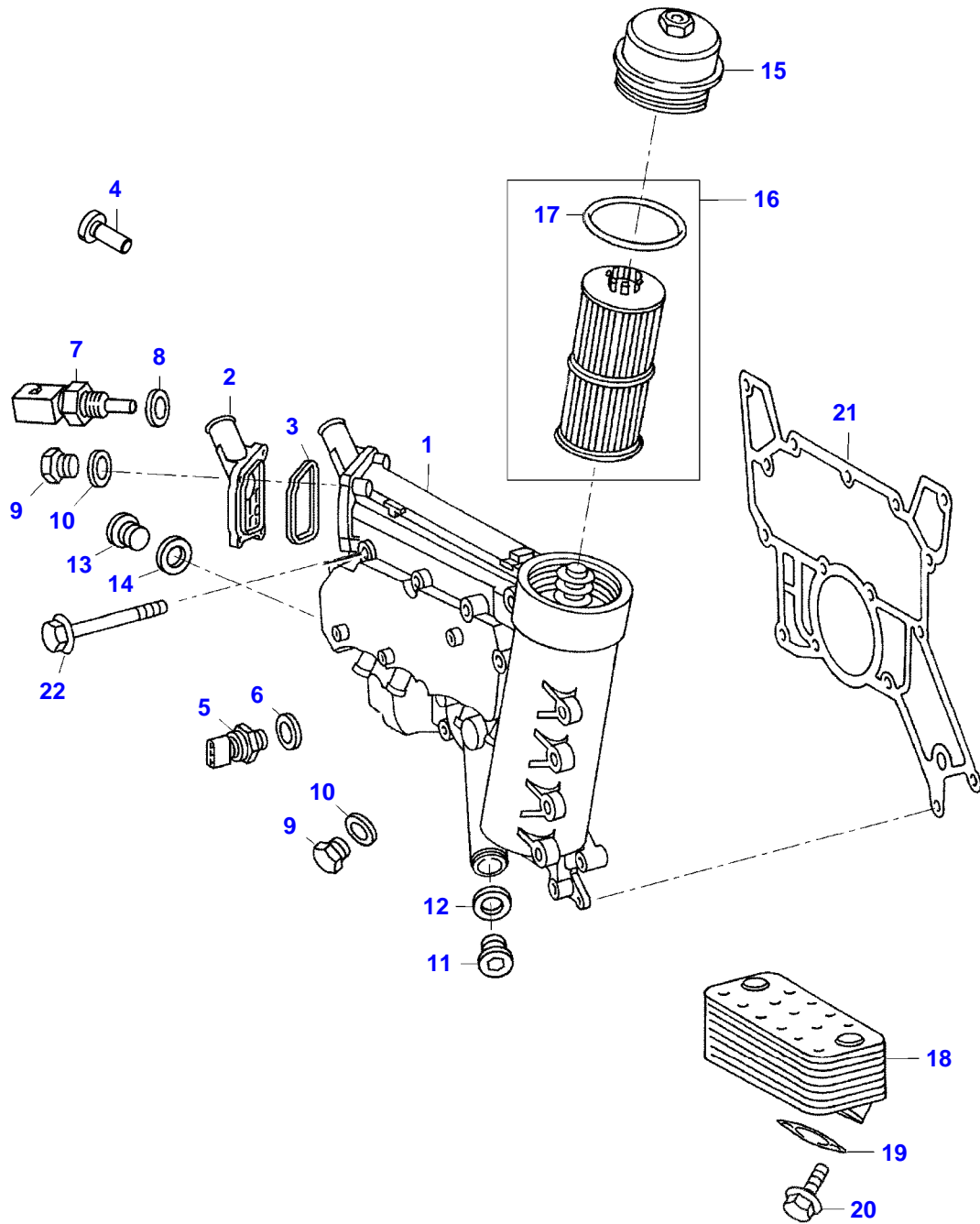
FENDT KATANA 65 (650/01001-99999)
18382938-M-1



18382938-M-1

Item	Part Number	Qty	Description Comments
1	F650203510010	1	FILTER ELEMENT OIL FILTER SEE PAGE 01-0015
2	F650203060010	1	FILTER BOX FUEL FILTER SEE PAGE 01-0018
3	F650203060030	1	FILTER BOX PRE FUEL FILTER SEE PAGE 01-0018
4	F650203110010	1	FILTER ELEMENT ADBLUE SEE PAGE 01-0069
8	H650203090100	1	FILTER CARTRIDGE PRIMARY AIR FILTER SEE PAGE 01-0058
9	H650203090150	1	SAFETY CARTRIDGE SECONDARY FILTER SEE PAGE 01-0058
10	F931962025010	1	FILTER ELEMENT TUBES TRANSMISSION OIL COOLER SEE PAGE 05-0041
11	F916861060011	1	VENTILATION FILTER HYDRAULIC OIL TANK SEE PAGE 05-0053
12	F650963050010	1	FILTER CARTRIDGE HYDRAULIC OIL TANK SEE PAGE 05-0054
13	F650810020010	1	AIR FILTER CAB SEE PAGE 07-0006

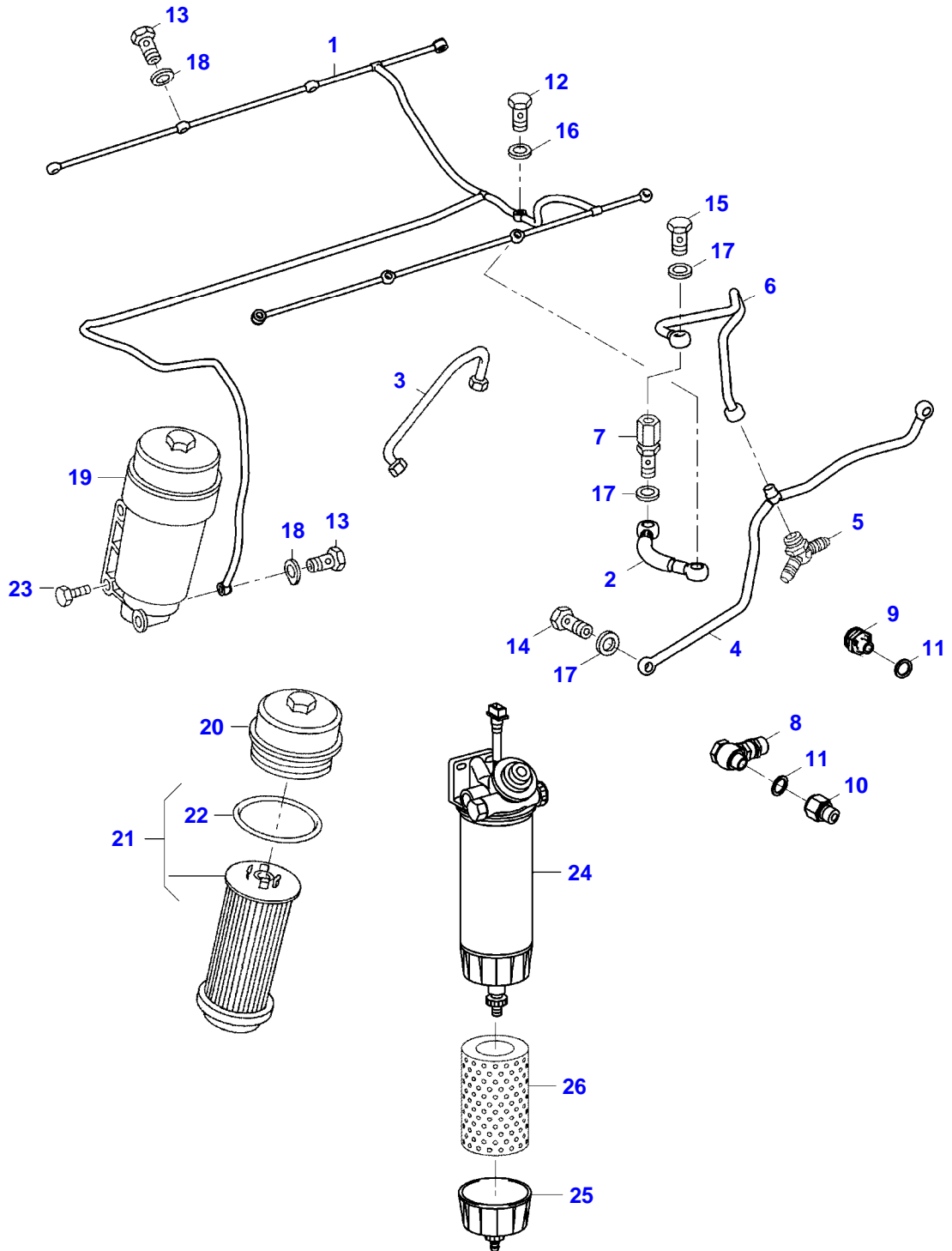
FENDT KATANA 65 (650/01001-99999)
18382988-M-1



18382988-M-1

Item	Part Number	Qty	Description Comments	Technical Specification
1	F650203220700	1	OIL COOLER HOUSING	
2	F650203240770	1	SOCKET	
3	F650203220710	1	GASKET	
4	F650203220890	4	HEXAGONAL HEAD BOLT	M6X16
5	F652201210170	1	PRESSURE TRANSDUCER ENGINE OIL PRESSURE B090	
6	F652201210940	1	SEALING WASHER	
7	F650203230610	1	SENDER COOLING WATER TEMPERATURE B204	
8	F652201210590	2	SEALING WASHER	
9	F650203250290	1	PLUG SCREW	M14X1,5
10	F652201210590	1	SEALING WASHER	
11	F652201240520	1	PLUG SCREW	M33
12	F652201240530	1	SEALING WASHER	M33
13	F650203230970	1	PLUG SCREW	
14	F652201240280	1	SEALING WASHER	
15	F650203240730	1	LID	
16	F650203510010	1	FILTER ELEMENT	
17	F652201240440	1	SEALING WASHER	
18	F650203220720	1	OIL COOLER	
19	F650203220730	2	SEAL	
20	F652201240140	4	HEXAGONAL HEAD BOLT	M8X50
21	F650203240760	1	GASKET	
22	F650203250430	8	HEXAGONAL HEAD BOLT	M10X110

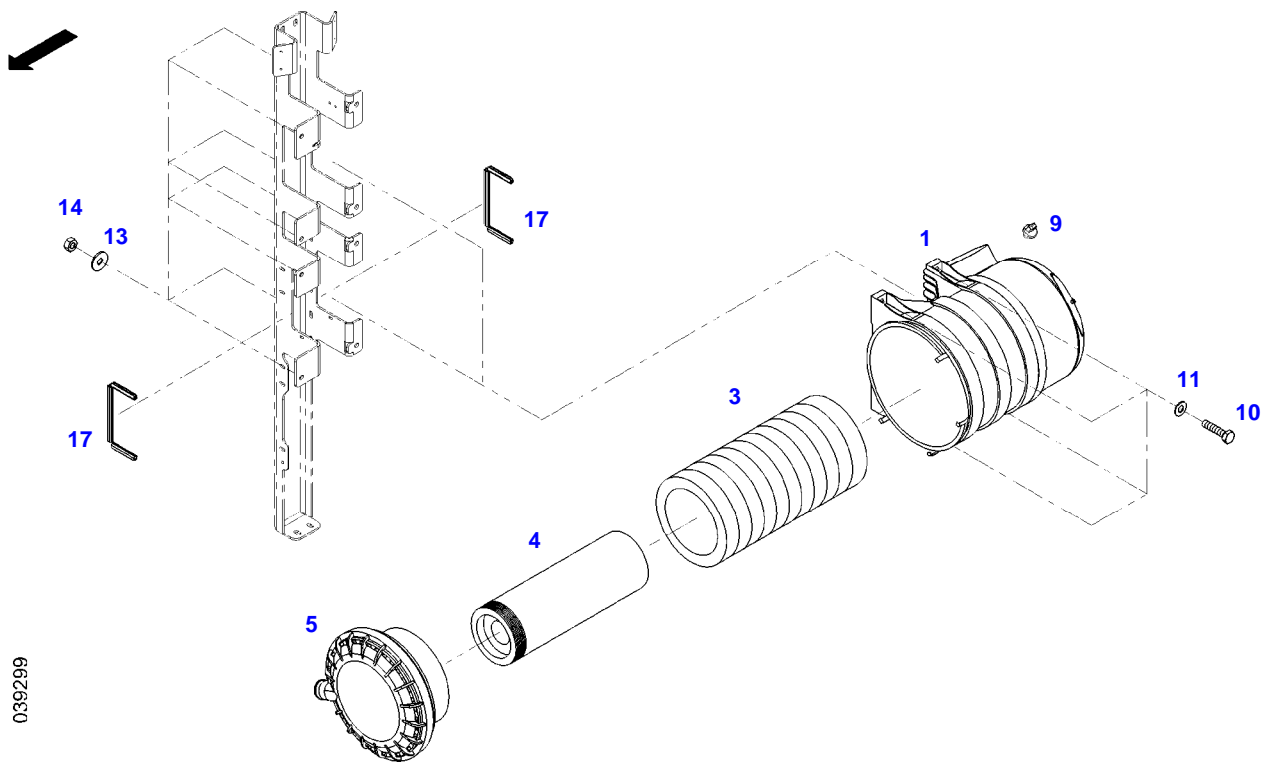
FENDT KATANA 65 (650/01001-99999)
18383000-M-1



18383000-M-1

Item	Part Number	Qty	Description Comments	Technical Specification
1	F650203210870	1	LINE	
2	F650203210880	1	LINE	
3	F650203210890	8	LINE	
4	F650203210900	1	LINE	
5	F650203230420	1	CONNECTING PART	
6	F650203210910	1	LINE	
7	F650203240520	1	VALVE	
8	F650203250300	1	VALVE	
9	F650203240550	1	VALVE	
10	F650203230730	1	SOCKET	
11	F652201210940	1	SEALING WASHER	
12	F650203210960	1	BANJO BOLT	
13	F650203210970	1	BANJO BOLT	
14	F650203210980	1	BANJO BOLT	
15	F650203210980	1	BANJO BOLT	
16	F652201210940	1	SEALING WASHER	
17	F652201210940	1	SEALING WASHER	
18	F650203220010	1	SEALING RING	
19	F650203220020	1	FUEL FILTER	
20	F650203220030	1	COVER	
21	F650203060010	1	FILTER BOX	
22	F650203230790	1	SEALING WASHER	
23	F652201230040	2	HEXAGONAL HEAD BOLT	M10X40
24	F650203220040	1	FUEL PREFILTER	
25	F650203220050	1	FILTER HOUSING	
26	F650203060030	1	FILTER BOX	

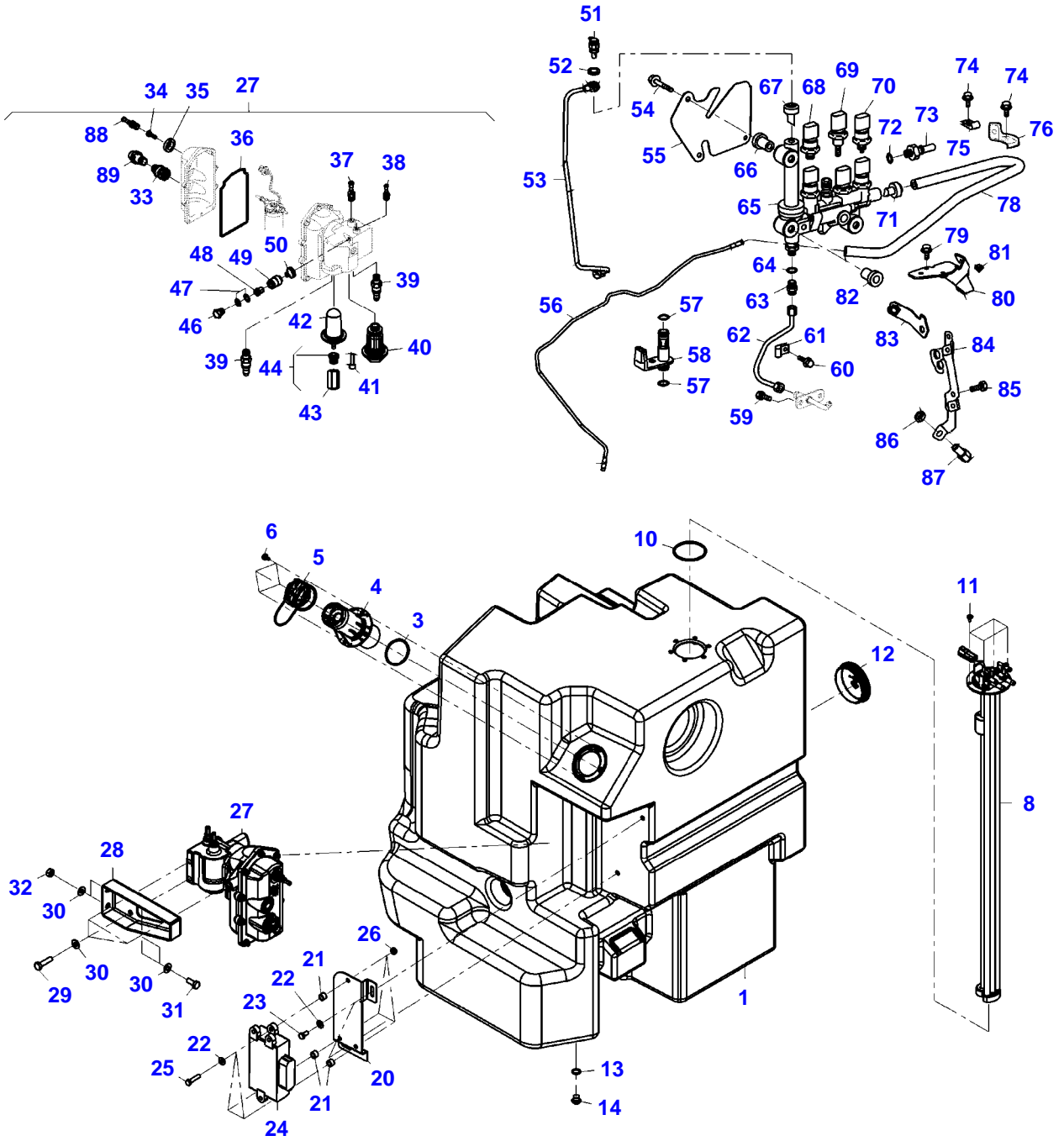
FENDT KATANA 65 (650/01001-99999)
39299



039299

Item	Part Number	Qty	Description Comments	Technical Specification
1	G650203090010	2	AIR FILTER ><3-5	
3	H650203090100	2	FILTER CARTRIDGE	
4	H650203090150	2	SAFETY CARTRIDGE	
5	H650203090200	2	FILTER LID	
9	650203090010	1	MAINTENANCE SWITCH	
10	X487532041000	8	HEXAGONAL HEAD BOLT	DIN 933 M10X45-8.8A3L
11	X522504400000	8	SPLIT WASHER	DENTED EDGE M10 FORM M-GEO321B
13	X454407508000	8	DISC	DIN9021-10,5-140HV-A3L
14	X428202839000	8	NUT	DIN 934 M10-8A3L
17	X304319000970	1	PROTECTIVE STRIP CUT TO LENGTH 750MM	L=3120 FWN 63040

FENDT KATANA 65 (650/01001-99999)
2296673-M-1

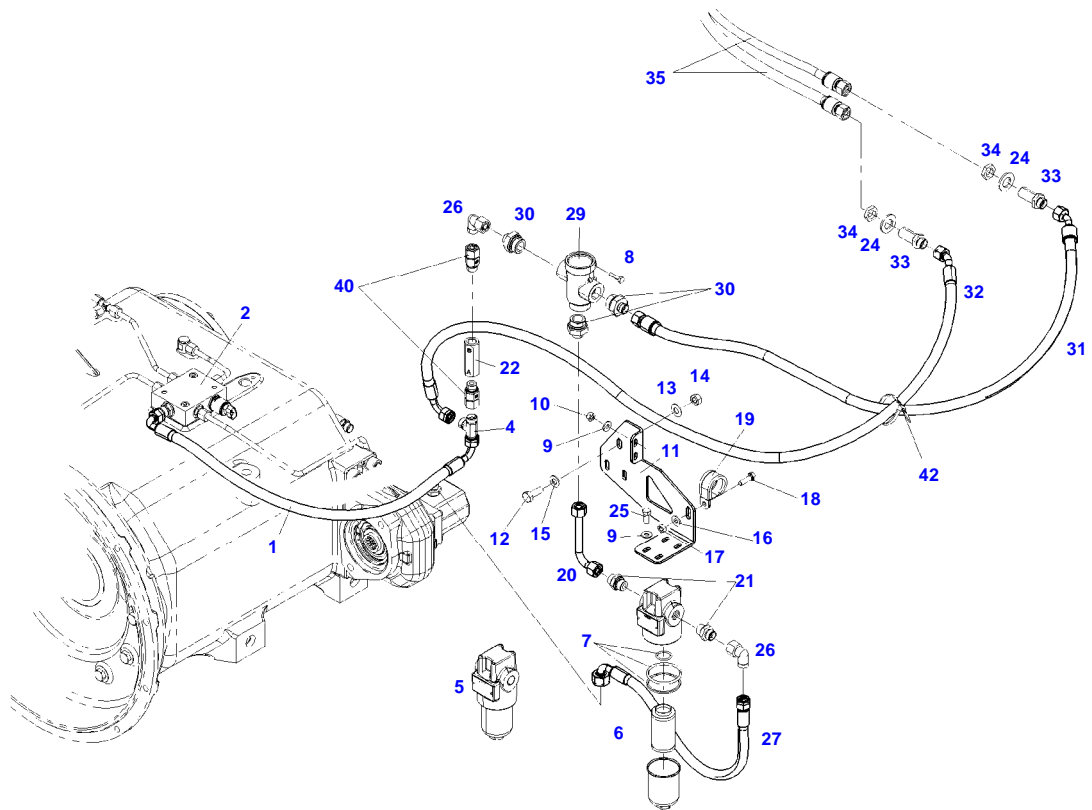


2296673-M-1

Item	Part Number	Qty	Description Comments	Technical Specification
			<-- 650/1030	
1	H650203111100	1	TANK	
3	X548936600000	1	O-RING	57X4-EPDM 70 FWN56402
4	H835201110120	1	FILLER NECK	
5	H835201110160	1	FUEL CAP	
6	X466021700000	6	OVAL HEAD SCREW	WN7381-M6X12-A2 NIRO
8	G650203110030	1	FUEL LEVEL SENSOR TEMPERATURE FILLING LEVEL B162	
10	X548950400000	1	O-RING	67X4 EPDM 70 DIN3771
11	X466021901000	4	OVAL HEAD SCREW	WN7381-M6X16-A2 NIRO
12	X499505500000	1	LOCKING PLUG	GL102
13	650203111670	1	FLAT SEALING WASHER	
14	650203111680	1	PLUG SCREW	
20	650203111530	1	SHEET METAL	
21	135903050050	3	RING	
22	X522503900000	5	SPLIT WASHER	DENTED EDGE M8 FORM M-GEO321B
23	X487526841000	2	HEXAGONAL HEAD BOLT	DIN 933 M8 X 16-8.8A3L
24	F650203250530	1	CONTROL UNIT SCR MODULE A117	
25	X487528241000	3	HEXAGONAL HEAD BOLT	DIN 933 M8X35-8.8A3L
26	X428202439000	3	NUT	DIN 934 M8-8A3L
27	F650203210280	1	PUMP ADBLUE M027	
28	650203111400	1	SHEET METAL	
29	X487531841000	3	HEXAGONAL HEAD BOLT	DIN 933 M10X35-8.8A3L
30	X522504400000	7	SPLIT WASHER	DENTED EDGE M10 FORM M-GEO321B
31	X487531541000	2	HEXAGONAL HEAD BOLT	DIN 933 M10X25-8.8A3L
32	X428202839000	2	NUT	DIN 934 M10-8A3L
33	F650203220390	1	VALVE	
34	F650203230020	1	FILTER STRAINER	
35	F650203230310	1	SPOUT	
36	F650203230060	1	OIL SUMP GASKET	
37	F650203230530	1	SOCKET	
38	F650203230540	1	SOCKET	
39	F650203230520	2	SOCKET	
40	F650203110010	1	FILTER ELEMENT	
41	F650203220980	3	HEXAGONAL HEAD BOLT	M5X16
42	F650203220380	1	ACCUMULATOR PAD	
43	F650203230050	1	BOOT	
44	F650203230260	1	VALVE INSERT	
46	F650203230290	1	UNION SCREW	
47	F650203220400	1	REPAIR KIT	
48	F650203220300	1	FILTER	
49	F650203230570	1	SOCKET	
50	F650203230030	1	VALVE	
51	F650203220370	1	CONNECTION	
52	F652201240840	2	SEALING WASHER	
53	F650203220360	1	AIR LINE	
54	F652201240600	3	HEXAGONAL HEAD BOLT	M8X60
55	F650203240690	1	SCREENING PLATE	
56	F650203220340	1	PRESSURE LINE	
57	F650203220320	2	SEAL RING	
58	F650203210270	1	NOZZLE	
59	F650203230390	2	SCREW	
60	F653201230710	1	TORX SCREW	M8X20
61	F650203250490	1	HOSE CLIP	
62	F650203220330	1	PRESSURE LINE	
63	F650203230580	1	SOCKET	
64	F650203220310	1	SEAL RING	

Item	Part Number	Qty	Description Comments	Technical Specification
65	F650203210230	1	DOSING MODULE	
66	F650203230040	6	BUSH	
67	F650203220300	1	FILTER	
68	F650203210240	1	SENSOR PRESSURE SENSOR BRAKE SUPPLY EQUIPEMENT B202	
69	F650203210260	1	TEMPERATURE SENSOR. TEMPERATURE ADBLUE MODULE B205	
70	F650203210250	1	SENSOR PRESSURE SENSOR ADBLUE MODULE B201	
71	F650203220300	2	FILTER	
72	F650203220310	1	SEAL RING	
73	F650203230600	1	SOCKET	
74	F652201220510	X	HEXAGONAL HEAD BOLT	M8X16
75	F650203250490	X	HOSE CLIP	
76	F650203240560	1	HOLDER	
78	F650203220350	1	PRESSURE LINE	
79	F652201220610	3	HEXAGONAL HEAD BOLT	M8X20
80	F652201220700	1	CABLE TIE	
81	F650203250330	1	HOLDER	
82	F650203230040	1	BUSH	
83	F650203240660	1	HOLDER	
84	F650203240300	1	HOLDER	
85	F652201220510	3	HEXAGONAL HEAD BOLT	M8X16
86	F650203230680	1	NUT	
87	F650203230270	1	SOCKET	
88	F650203230550	1	SOCKET	
89	F650203230560	1	SOCKET	

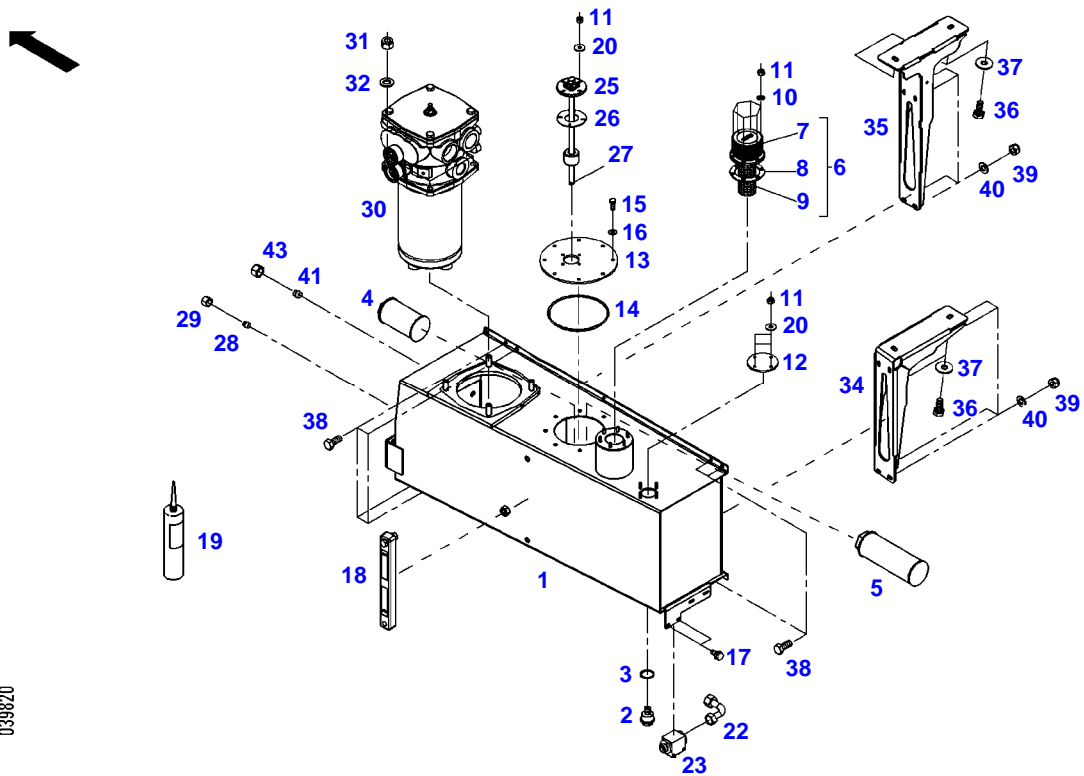
FENDT KATANA 65 (650/01001-99999)
F50341



050341

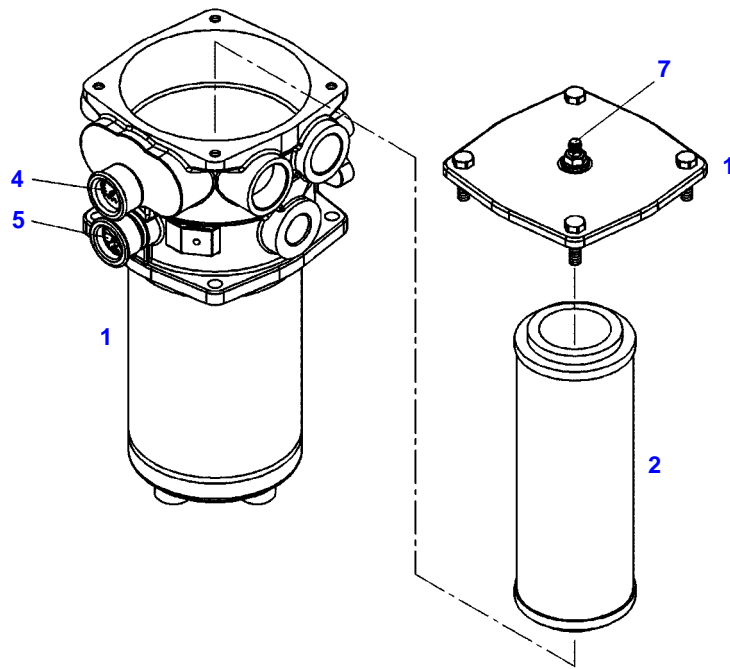
Item	Part Number	Qty	Description Comments	Technical Specification
1	G650953600020	1	HOSE	
2			SEE HARV. MACH. TRANSM. ENGINE OUTPUT SIDE	
4	X592716200000	1	T-FITTING	DIN 3908-L12-A3L
5	G931962025040	1	FILTER ><6,7	
6	F931962025010	1	FILTER ELEMENT	
7	F931962025070	1	SEAL KIT	
8	X487520941000	2	HEXAGONAL HEAD BOLT	DIN 933 M6X25-8.8A3L
9	X522503000000	6	SPLIT WASHER	DENTED EDGE M6 FORM M-GEO321B
10	X428202239000	2	NUT	DIN 934 M6-8A3L
11	650953600022	1	HOLDER	
12	X487527841000	3	HEXAGONAL HEAD BOLT	DIN 933 M8X22-8.8A3L
13	X522503900000	3	SPLIT WASHER	DENTED EDGE M8 FORM M-GEO321B
14	X428202439000	3	NUT	DIN 934 M8-8A3L
15	X450006308000	3	DISC	DIN 125-8,4-ST.A3L
16	X522503900000	1	SPLIT WASHER	DENTED EDGE M8 FORM M-GEO321B
17	X428202439000	1	NUT	DIN 934 M8-8A3L
18	X487527741000	1	HEXAGONAL HEAD BOLT	DIN 933 M8 X 20-8.8A3L
19	X459077200000	1	PIPE CLAMP	
20	H650953600110	1	BOOST PIPE	
21	X592501205000	2	SCREW NECK	FWN65925-L12-M18X1,5OMD-A3L 1
22	H650953600150	1	CHECK VALVE	RV-10-01.1/0-5BAR
24	X450010808000	2	DISC	DIN 125-19-ST.A3L
25	X487520041000	4	HEXAGONAL HEAD BOLT	DIN 933-M6 X 16-8.8-A3L
26	X584316900000	2	ADJUST. W-THREAD CONNECTION,PREINSTALLED	FWN65843-L12-A3L
27	H650953600011	1	PRESSURE HOSE	
29	G210952250020	1	OIL TEMPERERATURE CONTROLLER	
	G210952251020	1	REGULATOR CARTRIDGE	
	F210952250010	1	O-RING	37X2,5MM FPM 70SHORE
30	524893070100	3	TUBE FITTING	
31	H650953600060	1	PRESSURE HOSE	
32	G650953600010	1	HOSE	
33	X592116200000	2	STRAIGHT BULKHEAD UNION	DIN3910-L12-ST-A3L
34	X435904800000	2	NUT	DIN80705-M18X1,5-11H-A3L
35			SEE ENGINE OIL COOLER	
40	X592510800000	2	SCREW NECK	L12-G3/8A
42	X668980522000	3	CABLE STRAP	FWN 66650 B290X4,8-SW

FENDT KATANA 65 (650/01001-99999)
39820



039820

Item	Part Number	Qty	Description Comments	Technical Specification
HYDRAULIC OIL				
1	H650963050060	1	HYDRAULIC SYSTEM	
2	H716151150010	1	MAGNETIC FILTER	
3	X540009478000	1	SEALING WASHER	DIN 7603 A30X36-CU
4	H650963050040	1	SUCTION FILTER L=133MM	
5	H650963050050	1	SUCTION FILTER L=205MM	
6	G916861060011	1	FILTER ><7-9	
7	F916861060011	1	VENTILATION FILTER	
8	F395860060030	1	FLAT SEALING WASHER	
9	F916860060020	1	INLET STRAINER ><8	
10	X450003908000	6	DISC	DIN 125-5,3-ST.A3L
11	X434102040000	14	NUT	DIN6925-M5-8-A3L
12	650963050210	1	LID LOCK	
13	H650963050101	1	LID LOCK	
14	X549017500000	1	O-RING	149X4-NBR 70-FWN56402
15	X487520041000	8	HEXAGONAL HEAD BOLT	DIN 933-M6 X 16-8.8-A3L
16	X522503000000	8	SPLIT WASHER	DENTED EDGE M6 FORM M-GEO321B
17	X490522300000	2	HEXAGONAL HEAD BOLT	FURCHEND FWN64930-AM6X12-A3L
18	G650960050070	1	OIL LEVEL INDICATOR	
19	X903050059000	1	SEALING COMPOUND	LOCTITE 5970 300ML
20	X454303908000	8	DISC	DIN9021-5,3-140HV-A3L
22	H650963050030	1	RETURN PIPE	
23	X597805101000	1	2-WAY BALL VALVE BLOCK	
25	G650963050020	1	FUEL LEVEL SENSOR ><26,27	
26	F716970020030	1	FLANGE WASHER	
27	X548821200000	1	O-RING	D9X2,5
28	X571322800000	1	PLUG NECK	FWN 65713-12L-A3L
29	X596516239000	1	CONNECTING NUT	DIN 3870 AL12-9S20K A3L
30			SEE FILTER	
31	X434103240000	4	NUT	DIN 980-VM12-8-A3L
32	X450008708000	4	DISC	DIN 125-13-ST.A3L
34	650963050100	1	RETAINER	
35	650963050111	1	RETAINER	
36	X487531541000	4	HEXAGONAL HEAD BOLT	DIN 933 M10X25-8.8A3L
37	X454407508000	4	DISC	DIN9021-10,5-140HV-A3L
38	X487527741000	8	HEXAGONAL HEAD BOLT	DIN 933 M8 X 20-8.8A3L
39	X434102440000	8	NUT	DIN6925-M8-8-A3L
40	X450006308000	8	DISC	DIN 125-8,4-ST.A3L
41	X571316300000	1	PLUG NECK	FWN 65713-15L-A3L
43	X596516339000	1	CONNECTING NUT	DIN3870 AL15/M22X1.5-9S20K A3L



899068

Fendt

FENDT KATANA 65 (650/01001-99999)

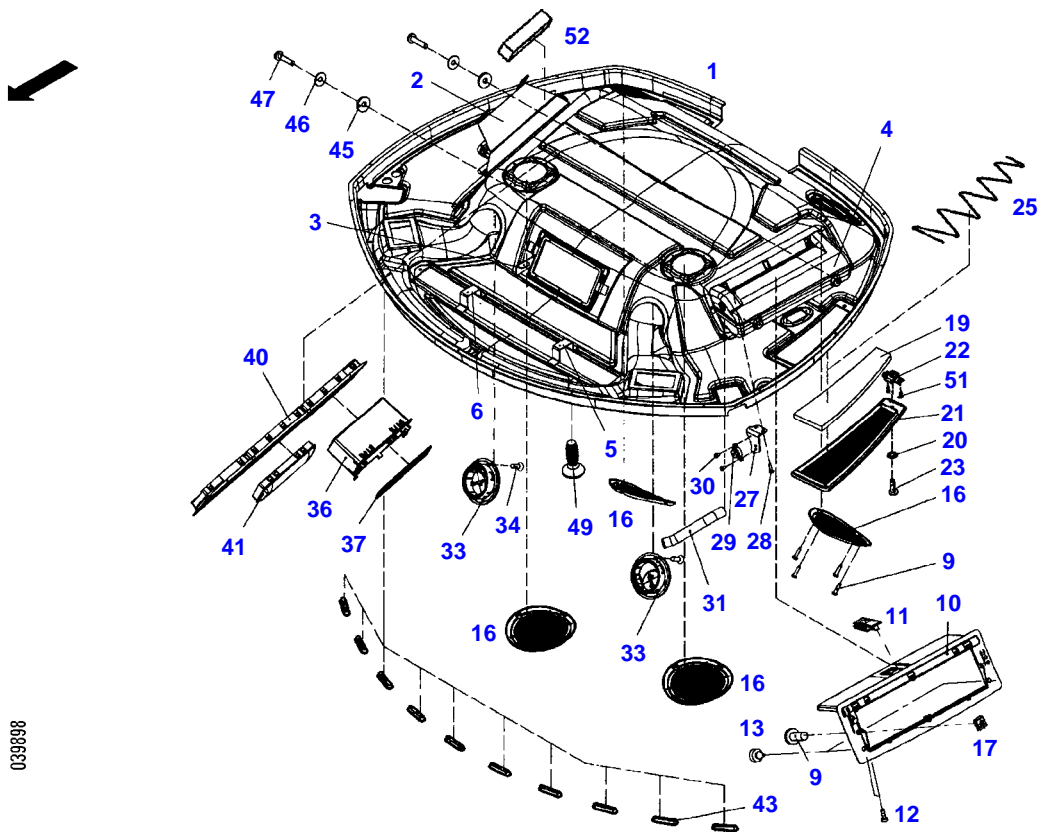
F650000

FILTER

Page05-0054

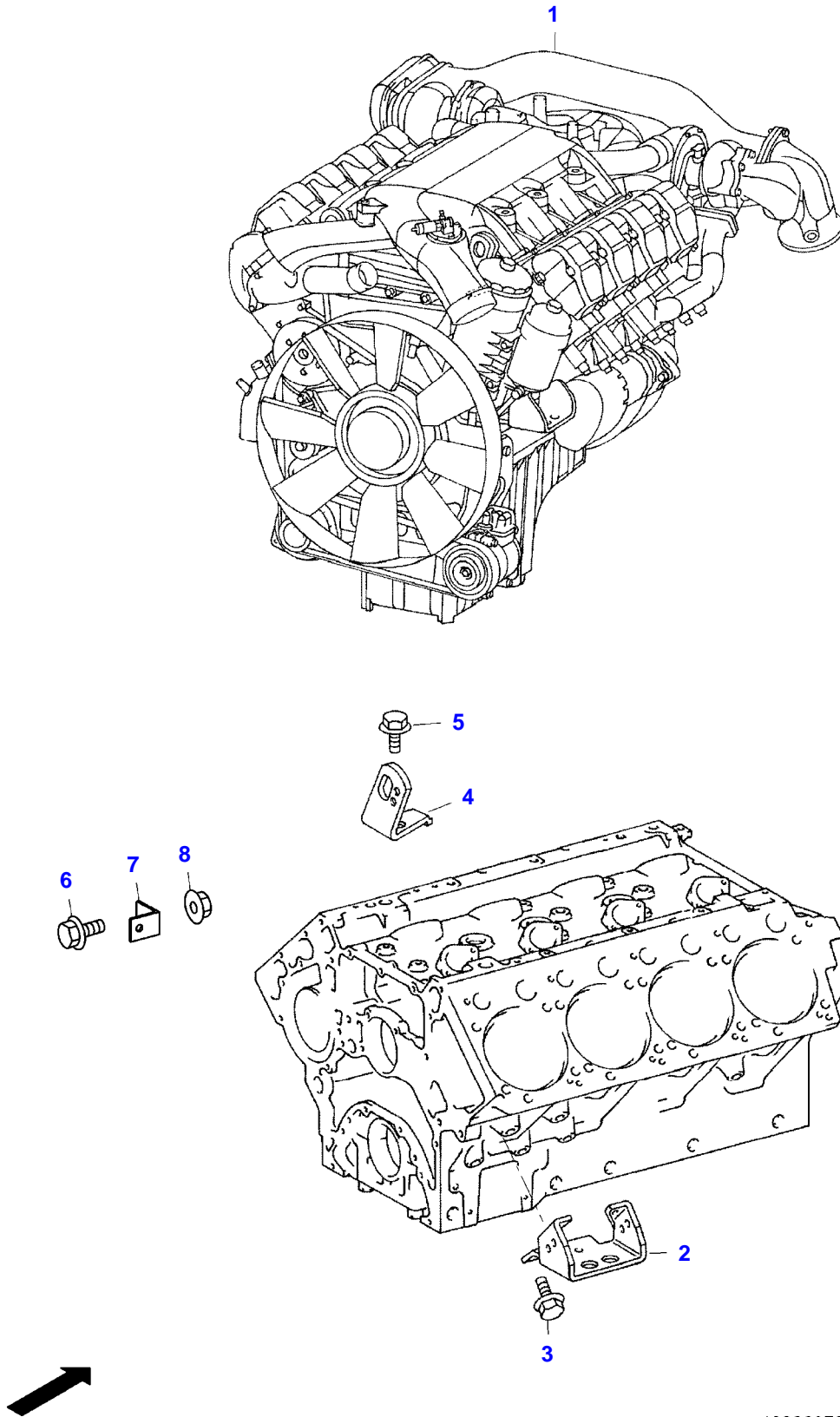
Item	Part Number	Qty	Description Comments
			HYDRAULIC OIL
1	G650963050010	1	FILTER ><2-7
	F650963050020	1	SCREEN FILTER
	F650963050060	1	SEAL KIT
2	F650963050010	1	FILTER CARTRIDGE
4	F650963050040	1	PRESSURE GAUGE
5	F650963050030	1	PRESSURE GAUGE
7	F650963050050	1	BLEEDER VALVE

FENDT KATANA 65 (650/01001-99999)
F39898



Item	Part Number	Qty	Description Comments	Technical Specification
1	E650813080021	1	HEADLINING ><2-6	
2	F650813360580	1	RADIO BRACKET	
3	F650813360590	1	BRACKET	
4	F650813360600	1	COOL BOX	
5	F650813360610	1	RETAINING BRACKET	
6	F650813360620	1	RETAINING BRACKET	
9	X493808805000	6	SCREW	DIN 7981 ST4,2X19-C-H-A3L
10	G931812080113	1	COVER ><11-13	
11	931812080350	1	CATCH	
12	X473512001000	2	SCREW	KST-3,5X10
13	816810260061	2	PLUG STOPPER	
16	737812080220	4	SPEAKER	
17	X435721901000	2	SPEED NUT	4,2 ZN PASS
19	F650810020010	1	AIR FILTER	
20	F650813360680	1	LOCK WASHER	
21	F650813360670	1	GRATE	
22	F650813360690	1	CATCH	
23	F650813360700	1	CATCH	
25	F650813360750	1	WIRE	
27	F650813360710	1	RETAINING PLATE	
28	F650813360230	2	SCREW	
29	F650813360720	1	DAMPER	
30	X493801305000	2	SCREW	DIN 7981 ST2,9X6,5-C-H-A3
31	X665966500400	1	CORRUGATED PIPE	L=400 FWN66659 NW22-PA6
33	F650813360650	2	NOZZLE	
34	X493903100000	8	SCREW	DIN 7982 ST3,5X16-C-A3L
36	737812080260	1	STORAGE COMPARTMENT	
37	737812080290	1	NETWORK	
40	F650813080010	1	RADIO TRIM	
41	931812080300	1	COVER	
43	F650813360660	10	NOZZLE	
45	F650813360730	2	DISC	
46	X454305108000	2	DISC	DIN9021-6,4-140HV-A3L
47	X495923001000	2	OVAL HEAD SCREW	DIN 7985 M6X30-4.8A3L
49	F650813360740	15	SCREW	
51	X444908101000	2	POP RIVET	3X8
52	F650813020010	2	SEALING PROFILE	5M

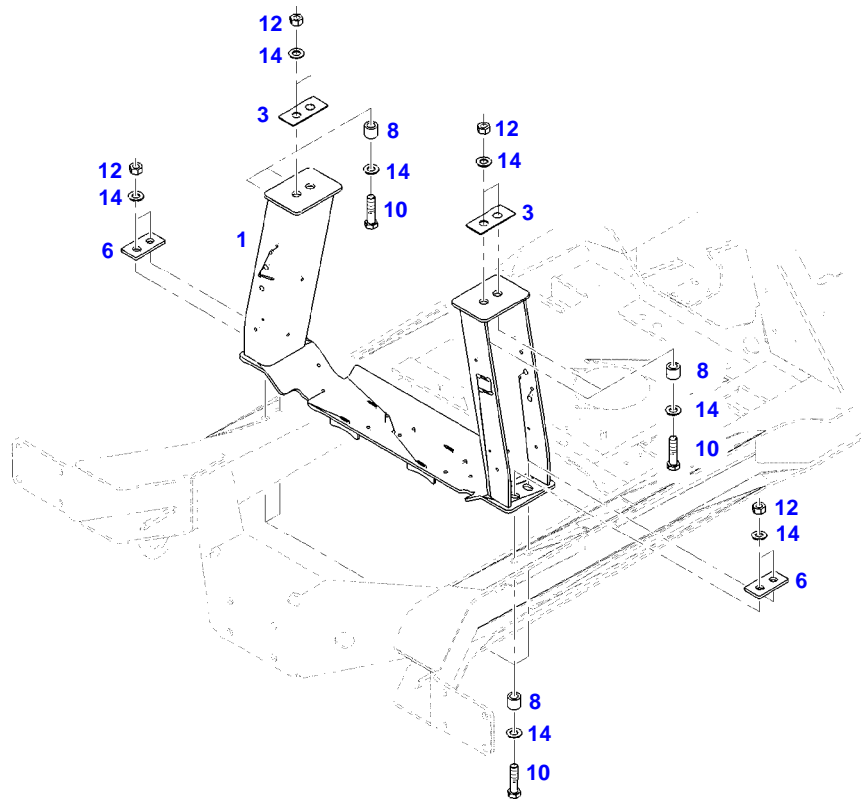
FENDT KATANA 65 (650/01001-99999)
18382970-M-1



18382970-M-1

Item	Part Number	Qty	Description Comments	Technical Specification
1	E650203010011	1	DIESEL ENGINE	
2	F650203240850	2	ENGINE CARRIER	
3	F650203220820	8	SCREW	M14X1,5X30
4	F650203240860	1	SUSPENSION EYE	LH
	F650203240870	1	SUSPENSION EYE	RH
5	F652201240070	2	HEXAGONAL HEAD BOLT	M16X1,5X80
6	F652201210570	1	HEXAGONAL HEAD BOLT	
7	F650203240020	1	HOLDER	
8	F650203250460	1	NUT	

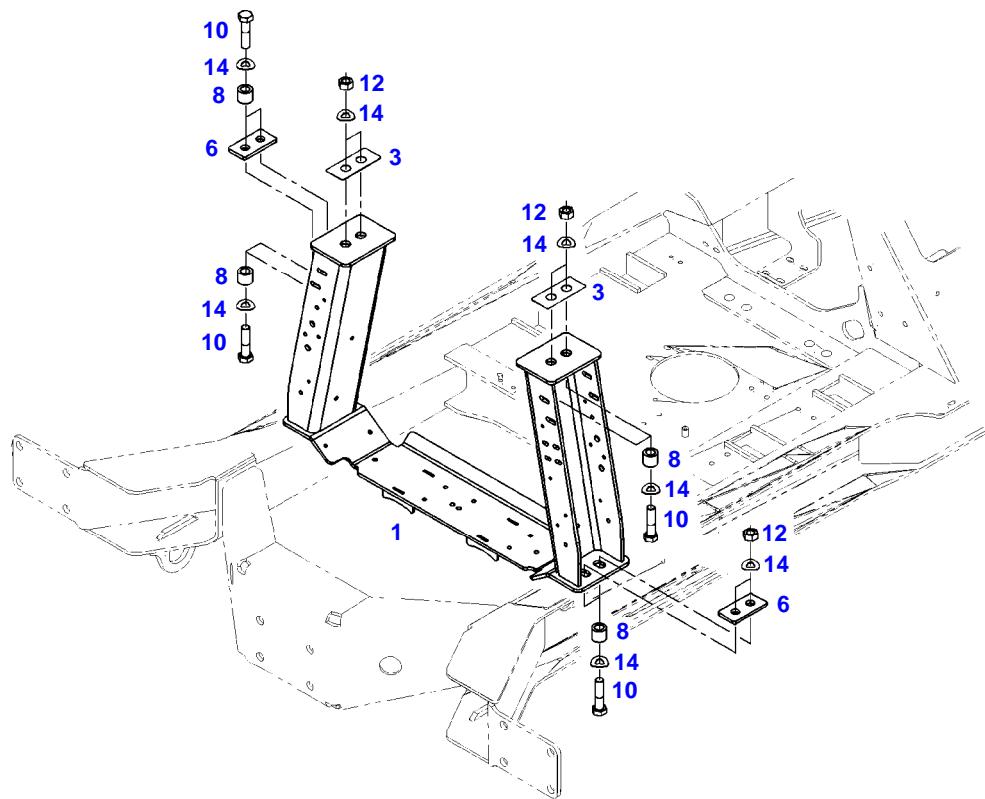
FENDT KATANA 65 (650/01001-99999)
39027



039027

Item	Part Number	Qty	Description Comments	Technical Specification
			<-- 650/0101 --> 650/1029	
1	H650203031110	1	ENGINE MOUNT	
3	650203030200	X	SHIM S=1,0MM	
	650203030210	X	SHIM S=1,5MM	
	650203030220	X	SHIM S=2,5MM	
6	650203030050	2	PLATE	
8	650503531120	8	BUSH	
10	X486555502000	8	HEXAGONAL HEAD BOLT	DIN 931 M20X80-10.9 GEO321B
12	X428205005000	8	NUT	DIN 934 M20-10 A3L
14	X522507800000	16	SPLIT WASHER	DENTED EDGE M20 FORM M-GEO321B

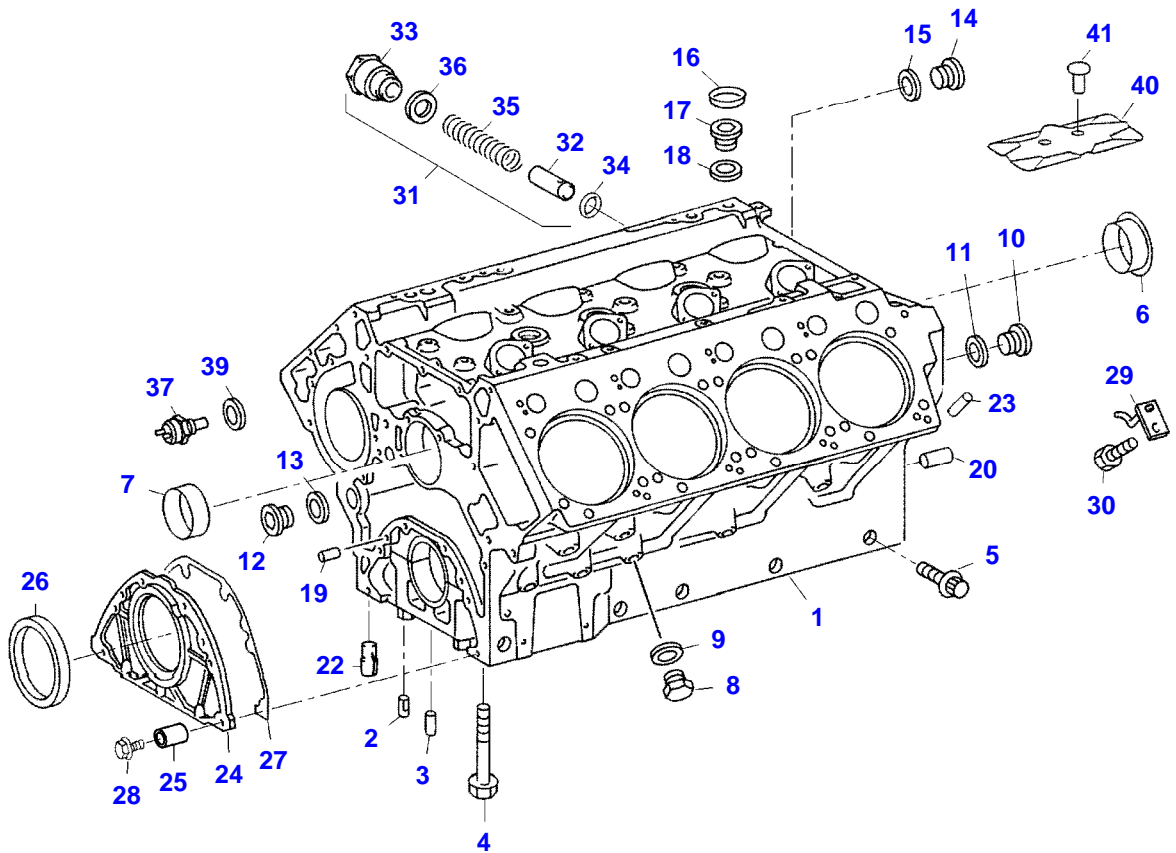
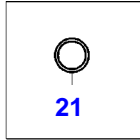
FENDT KATANA 65 (650/01001-99999)
39879



039879

Item	Part Number	Qty	Description Comments	Technical Specification
			<-- 650/1030	
1	H650203031110	1	ENGINE MOUNT	
3	650203030200	X	SHIM S=1,0MM	
	650203030210	X	SHIM S=1,5MM	
	650203030220	X	SHIM S=2,5MM	
6	650203030050	2	PLATE	
8	650503531120	6	BUSH	
10	X486555502000	8	HEXAGONAL HEAD BOLT	DIN 931 M20X80-10.9 GEO321B
12	X428205005000	6	NUT	DIN 934 M20-10 A3L
14	X522507800000	14	SPLIT WASHER	DENTED EDGE M20 FORM M-GEO321B

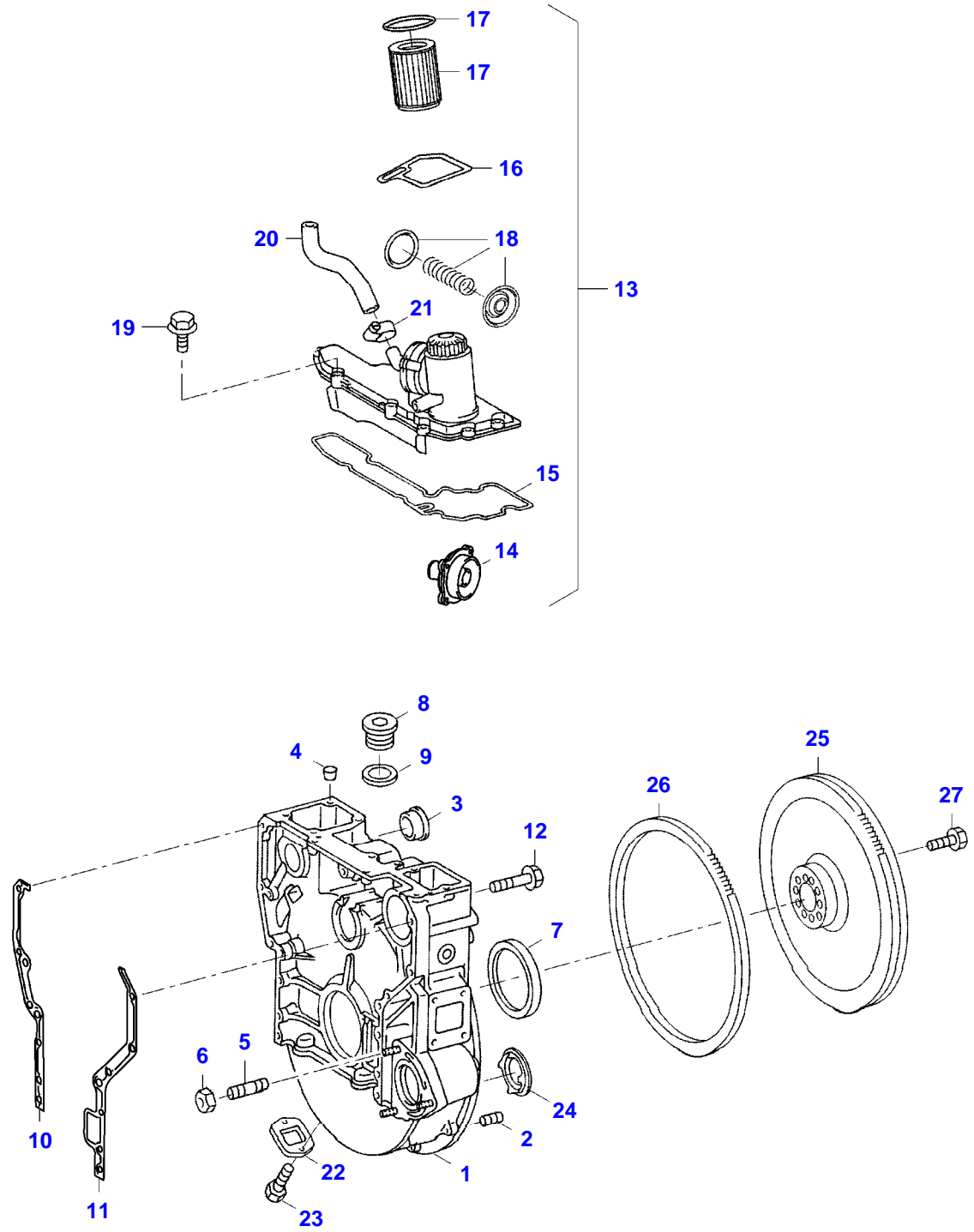
FENDT KATANA 65 (650/01001-99999)
18382971-M-1



18382971-M-1

Item	Part Number	Qty	Description Comments	Technical Specification
1	F650203240990	1	CRANKCASE	
2	F650203240930	2	PIN	
3	F650203230200	8	DOWEL	
4	F650203240330	10	SCREW	M18X2X120
5	F650203240340	10	SCREW	M4X1,5X85
6	F650203240460	1	BEARING SHELL	
7	F650203240450	4	BEARING SHELL	
8	F650203250290	2	PLUG SCREW	M14X1,5
9	F652201210590	2	SEALING WASHER	
10	F650203240080	1	OIL NOZZLE	
11	F652201210630	1	SEALING WASHER	
12	F650203230880	3	PLUG SCREW	
13	F650203220870	3	SEALING WASHER	
14	F650203230880	2	PLUG SCREW	
15	F650203220870	2	SEALING WASHER	
16	F650203220900	5	CAP COVER	L=34,2 MM
17	F650203230280	4	PLUG SCREW	
18	F650203220860	4	SEALING WASHER	
19	F650203230210	2	DOWEL	
20	F650203230230	2	DOWEL	
21	F650203240270	1	BALL	
22	F650203230950	2	GROOVE PIN	
23	F653201210130	16	DOWEL	ISO2338 10 M6X18
24	F650203240350	1	LID	
25	F650203240680	2	GUIDE SLEEVE	
26	F652201210330	1	SHAFT SEAL	
27	F650203210310	1	GASKET	
28	F650203250420	4	HEXAGONAL HEAD BOLT	M10X25
29	F650203210320	8	OIL NOZZLE	
30	F652201220610	8	HEXAGONAL HEAD BOLT	M8X20
31	F650203240720	1	BLOW OFF VALVE	
32	F650203240740	1	PISTON	
33	F650203240750	1	PLUG SCREW	
34	F650203230810	1	SEALING WASHER	
35	F650203240220	1	SPRING	
36	F652201240530	1	SEALING WASHER	M33
37	F652201210160	1	TEMPERATURE TRANSMITTER FUEL TEMPERATURE B130	
39	F652201210590	1	SEALING WASHER	
40	F650203240050	1	IDENTITY PLATE	
41	F650203230590	2	RIVET	

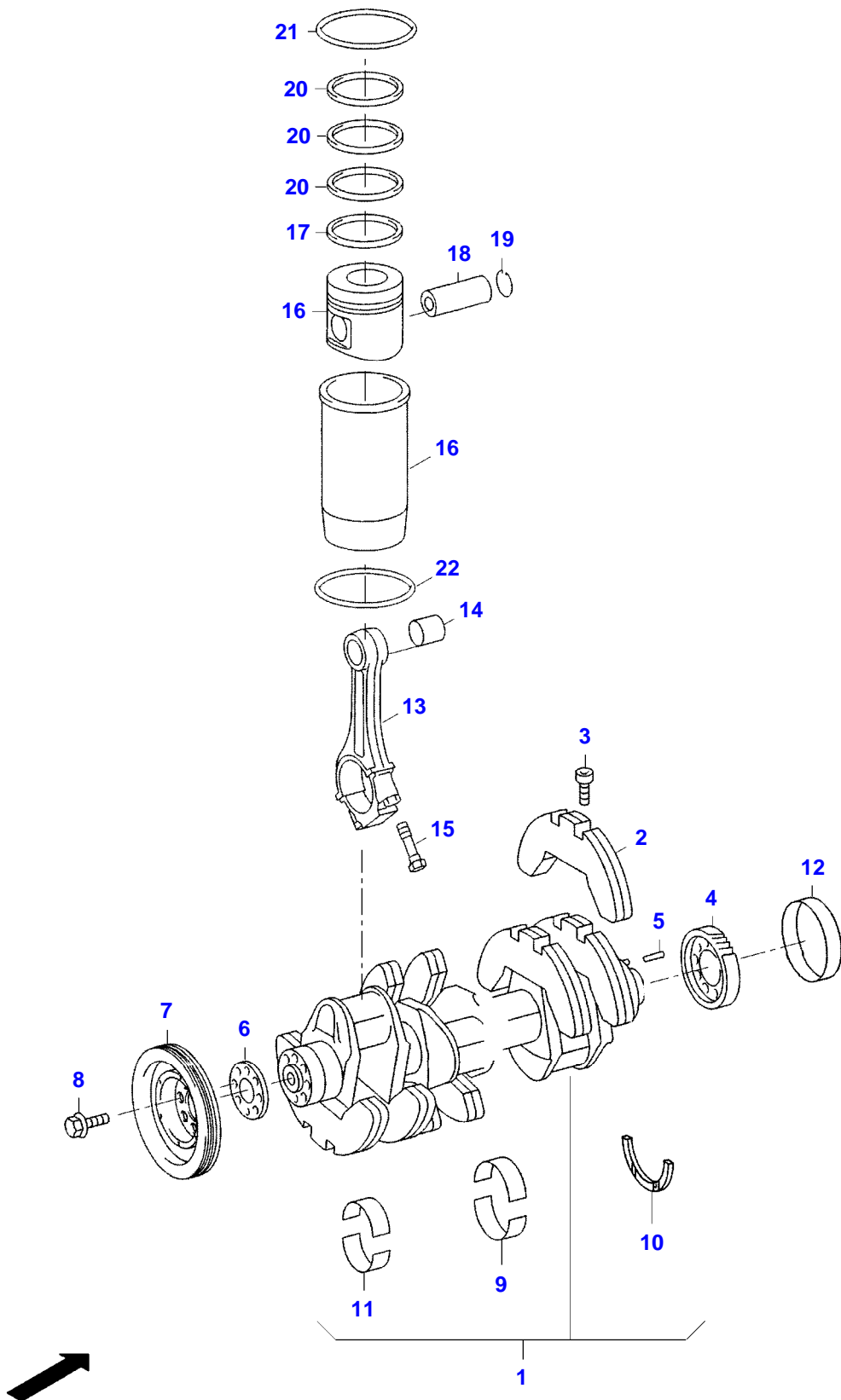
FENDT KATANA 65 (650/01001-99999)
18382973-M-1



18382973-M-1

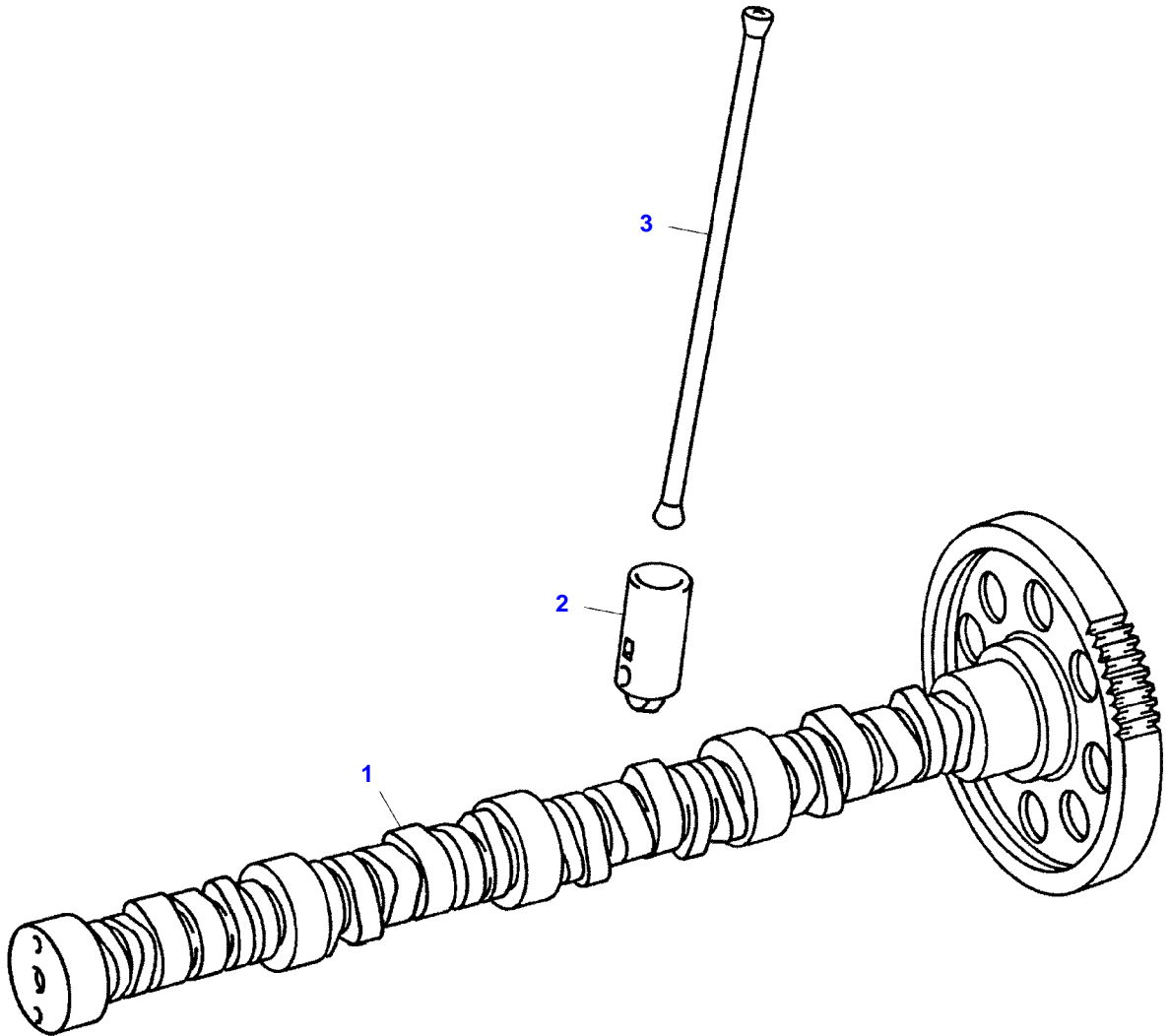
Item	Part Number	Qty	Description Comments	Technical Specification
1	F650203240320	1	CONTROL HOUSING	
2	F650203250390	X	THREADED INSERT	
3	F650203240650	1	FLANGE	
4	F650203230830	1	CAP COVER	
5	F652201230620	2	SCREW	M12X35
6	F652201230640	1	HEX NUT	
7	F650203210340	1	SEAL RING	D=115MM
8	F650203230280	2	PLUG SCREW	
9	F650203220860	2	SEALING WASHER	
10	F650203210360	1	GASKET	RH
11	F650203210370	1	GASKET	LH
12	F650203240180	11	SCREW	
13	F650203210380	1	COVER	
14	F650203240370	1	LID	
15	F650203210390	1	GASKET	
16	F650203210400	1	GASKET	
17	F650203210410	1	OIL FILTER	
18	F650203240380	1	DIAPHRAGM	
19	F652201210270	9	HEXAGONAL HEAD BOLT	
20	F650203210420	1	VENT	
21	F650203220840	2	HOSE CLIP	
22	F652201230650	1	LID LOCK	
23	F652201220510	2	HEXAGONAL HEAD BOLT	M8X16
24	F650203240140	1	PLUG STOPPER	
25	F650203250010	1	FLYWHEEL	
26	F650203240100	1	ANNULAR GEAR	
27	F650203240170	10	SCREW	

FENDT KATANA 65 (650/01001-99999)
18382974-M-1



18382974-M-1

Item	Part Number	Qty	Description Comments
1	F650203250030	1	CRANKSHAFT
2	F650203240390	6	COUNTERWEIGHT
3	F650203240160	12	SCREW
4	F650203240420	1	CRANKSHAFT GEAR
5	F650203230220	1	DOWEL
6	F650203240090	1	SLINGER
7	F650203240250	1	DAMPER
8	F652201220860	8	HEXAGONAL HEAD BOLT
9	F650203210720	5	CRANKSHAFT BEARING
10	F650203210730	4	FOOT PROBE GUARD PLATE
11	F650203210740	8	ROD BEARING
12	F650203240110	1	RING
13	F650203250020	8	PISTON ROD
14	F650203240410	8	SMALL-END BUSH
15	F650203210750	16	SCREW
16	F650203210760	8	PISTON
17	F650203240360	8	SCRAPER RING
18	F650203240400	8	PISTON PIN
19	F650203240940	8	SNAPRING
20	F650203210770	8	PISTON RING
21	F650203210780	8	SEAL RING
22	F650203210790	X	O-RING



18382975-M-1

Fendt

FENDT KATANA 65 (650/01001-99999)

F650000

CAMSHAFT AND VALVE

Page01-0008

Item	Part Number	Qty	Description Comments	Technical Specification
1	F650203250040	1	CAMSHAFT	
2	F650203240440	16	ROLLER TAPPET	30 MM
3	F650203210800	16	PUSH ROD	

Thank you so much for reading.
Please click the “Buy Now!”
button below to download the
complete manual.



After you pay.

You can download the most
perfect and complete manual in
the world immediately.

Our support email:

ebooklibonline@outlook.com