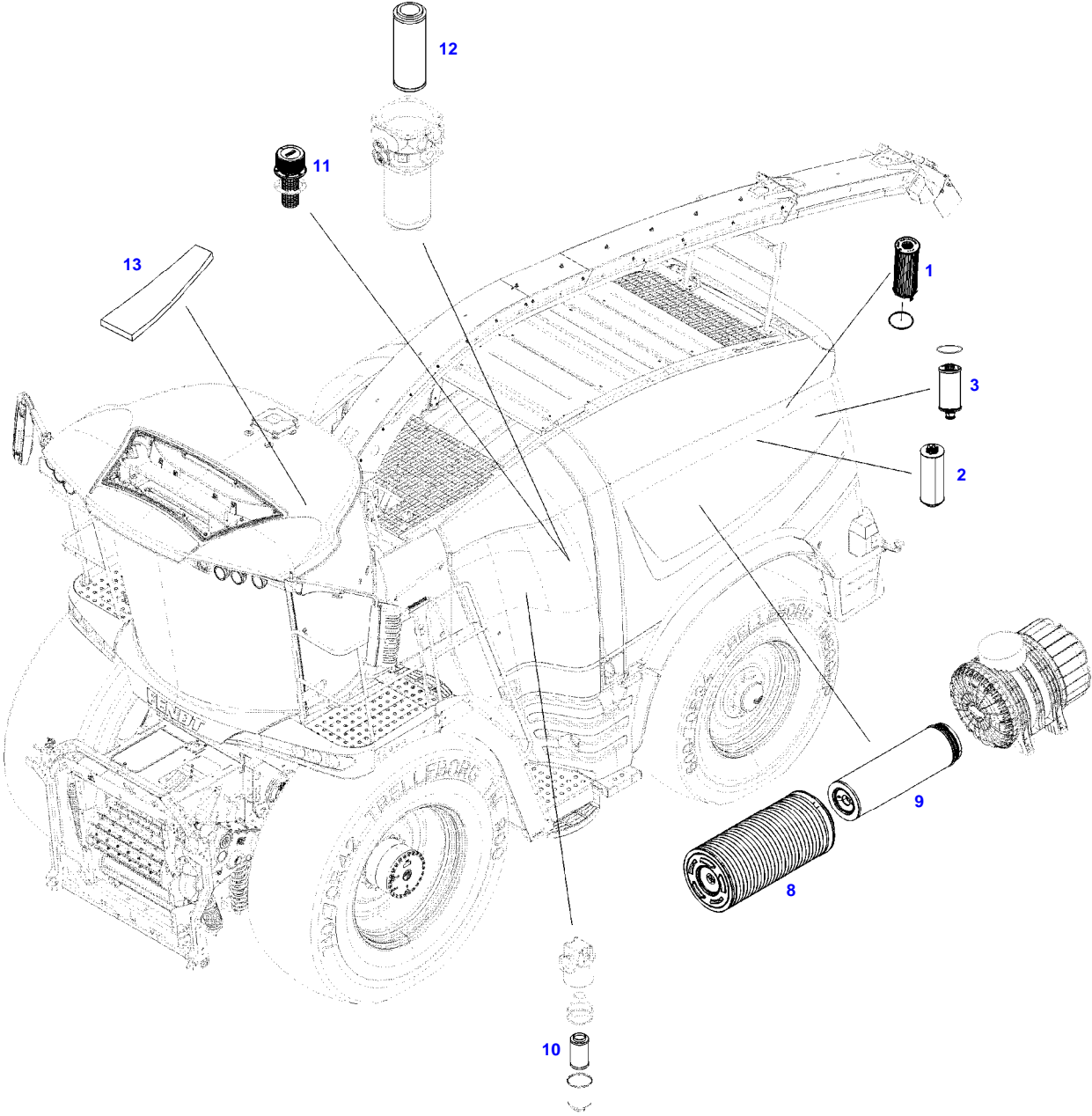


TABLE OF CONTENT

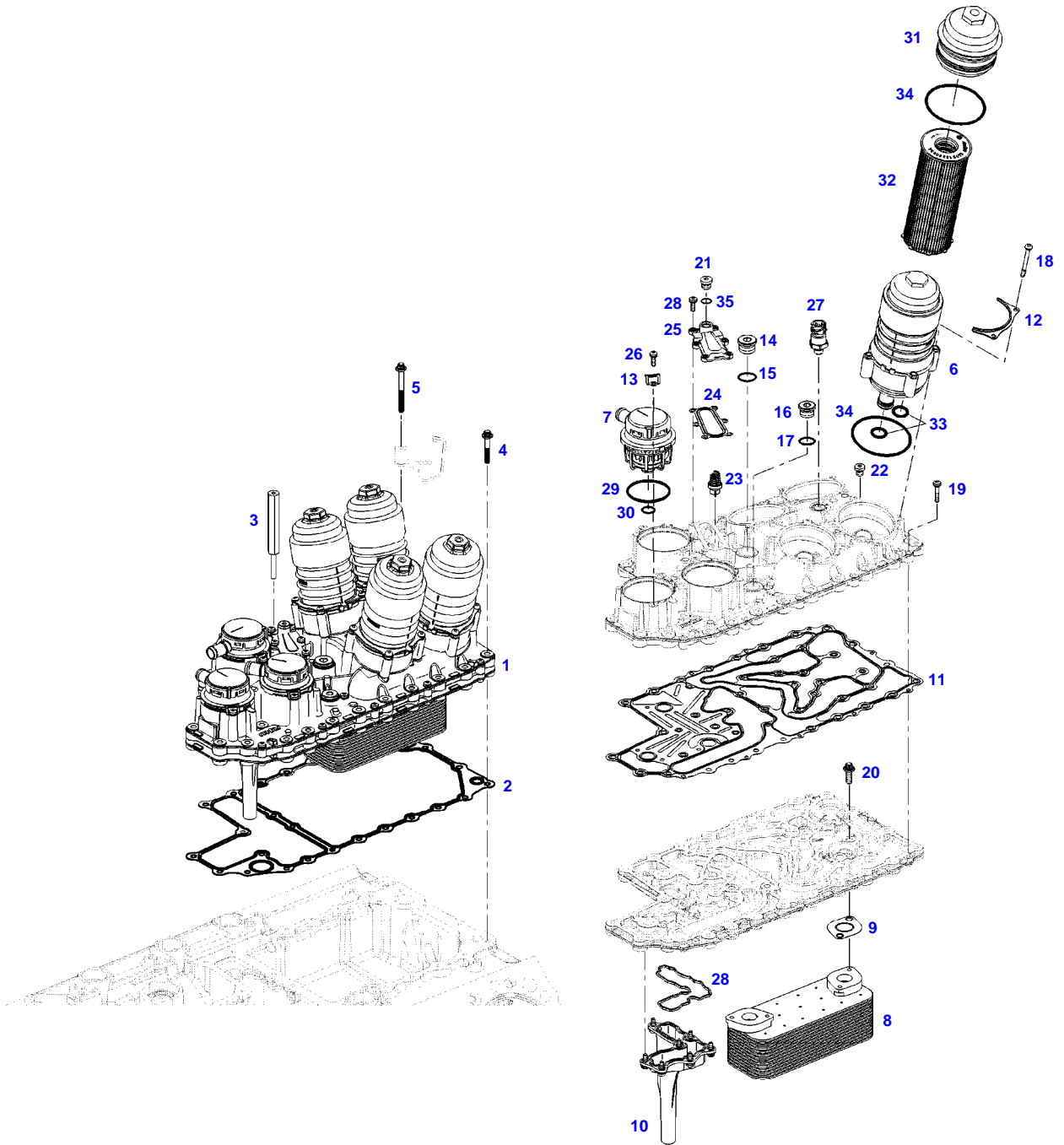
Page Number	Page Title	Page Reference
01-000-TOC	ENGINE, FUEL AND EXHAUST SYSTEM	01-000-TOC
02-000-TOC	DRIVE SYSTEM	02-000-TOC
03-000-TOC	AXLES	03-000-TOC
04-000-TOC	COMPRESSED AIR SYSTEM	04-000-TOC
05-000-TOC	HYDRAULIC SYSTEM	05-000-TOC
06-000-TOC	ELECTRICAL SYSTEM	06-000-TOC
07-000-TOC	CAB	07-000-TOC
08-000-TOC	AIR CONDITIONING AND HEATING SYSTEM	08-000-TOC
09-000-TOC	CHASSIS	09-000-TOC
10-000-TOC	WHEELS	10-000-TOC
11-000-TOC	INFEED	11-000-TOC
12-000-TOC	CHOPPING SYSTEM	12-000-TOC
13-000-TOC	UNLOADING SYSTEM	13-000-TOC
14-000-TOC	HARVEST DRIVE TRAIN SYSTEM	14-000-TOC
15-000-TOC	CENTRAL LUBRICATION SYSTEM	15-000-TOC
16-000-TOC	PRECISION FARMING SYSTEMS	16-000-TOC
17-000-TOC	ACCESSORIES	17-000-TOC



F061572



Item	Part Number	Qty	Description Comments	Technical Specification
1	F653201510010	4	OIL FILTER SEE PAGE 01-0015	
2	F653201060010	2	FILTER ELEMENT. FUEL FILTER SEE PAGE 01-0019	219X90
3	F653201070010	1	FUEL PREFILTER SEE PAGE 01-0020	
8	653201092050	1	PRIMARY AIR FILTER ELEMENT SEE PAGE 01-0050	
9	653201092070	1	SECONDARY AIR FILTER ELEMENT SEE PAGE 01-0050	
10	F931962025010	1	FILTER ELEMENT TUBES TRANSMISSION OIL COOLER SEE PAGE 05-0051	
11	F916861060011	1	VENTILATION FILTER HYDRAULIC OIL TANK SEE PAGE 05-0064	
12	F650963050010	1	FILTER CARTRIDGE HYDRAULIC OIL TANK SEE PAGE 05-0065	
13	F650810020010	1	AIR FILTER CAB SEE PAGE 07-0007	

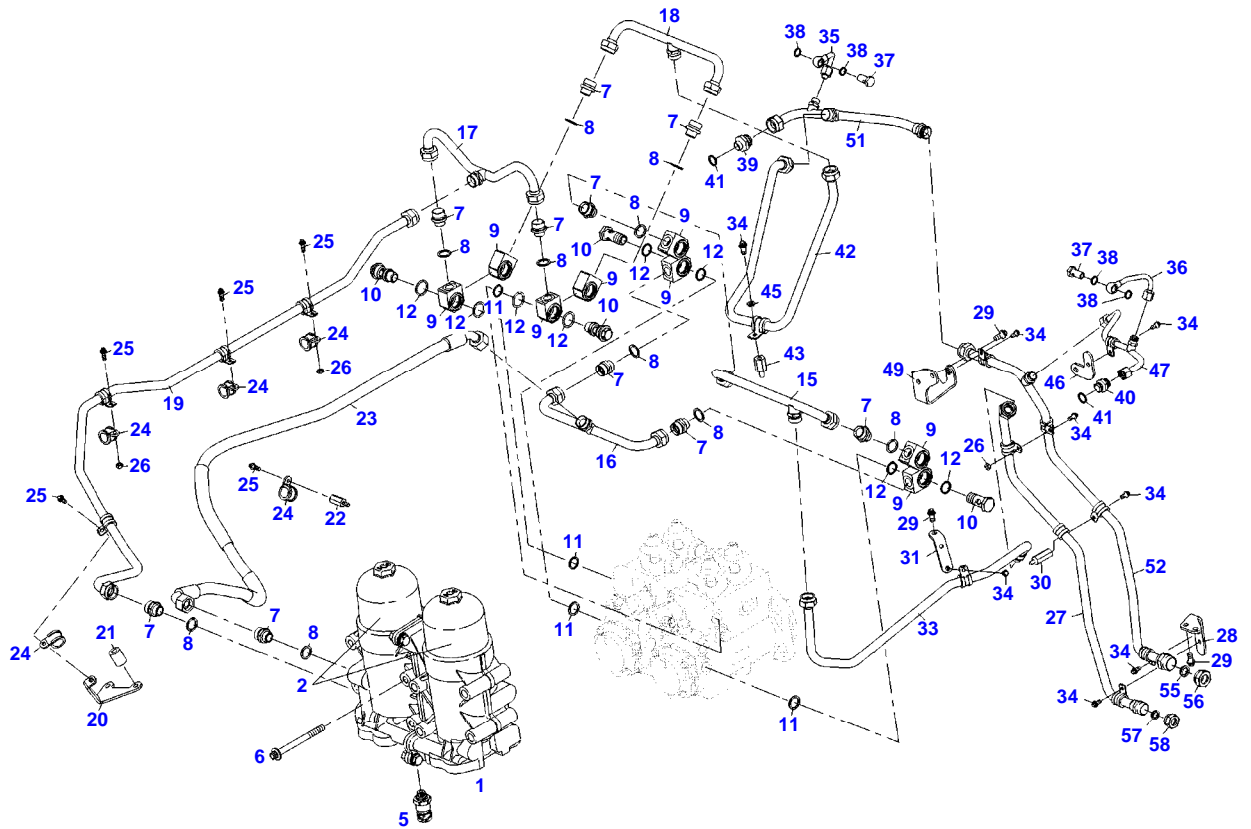


F061631



Item	Part Number	Qty	Description Comments	Technical Specification
1	F653201240850	1	OIL MODULE ASSEMBLY INCLUDES ITEMS 6-35	
2	F653201240860	1	SEAL SECTION	
3	F653201240870	1	HOLDER	113MM/SW17
4	F653201230810	23	TORX SCREW	DIN34801 M8X50
5	F653201240880	2	TORX SCREW	DIN34801 M8X80
6	F653201240890	4	OIL FILTER INCLUDES ITEMS 31-34	
7	F653201240900	3	OIL SEPARATOR INCLUDES ITEMS 29,30	
8	F653201240910	2	HEATER CORE	
9	F653201240920	4	SEAL SECTION	
10	F653201240930	1	OIL RETURN LINE INCLUDES ITEMS 28	
11	F653201240940	1	SEAL SECTION	
12	F653201240950	8	HOLDER	
13	F653201240960	6	HOLDER	
14	X483803201000	1	SCREW	DIN 908-M26X1,5-ST-A3L
15	F653201070050	1	SEALING WASHER	A26X31
16	X483802400000	1	PLUG	DIN 908 M22X1,5-ST
17	F653201240970	1	SEALING WASHER	DIN7603 A 22X27
18	F653201240980	16	SCREW	M6X62
19	F653201240990	33	SCREW	M6X32
20	F653201240310	8	TORX SCREW	DIN34801 M8X25
21	F653201250010	1	PLUG SCREW	M14X1,5
22	F653201250020	1	PLUG SCREW	M12X1,5
23	F653201250030	1	VALVE	
24	F653201250040	1	SEAL SECTION	
25	F653201250050	1	LID	
26	F653201250060	12	SCREW	M6X20
27	F653201250070	1	PRESSURE TANK B263	M14X1,5,SW=27,0-10BAR_RELATIV
28	F653201260650	1	SEAL SECTION	
29	F653201260700	1	O-RING	75X3,55
30	F653201260710	1	O-RING	20,4X2,4
31	F653201260750	4	FILTER LID	
32	F653201510010	4	OIL FILTER	
33	F653201260760	8	SEALING WASHER	21X3
34	F653201510020	8	SEALING WASHER	81X3,5
35	F653201260770	1	O-RING	11,3X2,2

FENDT KATANA 85 S4 (653/00101-01100) (WAM653XXX00F01101-99999)
F061635

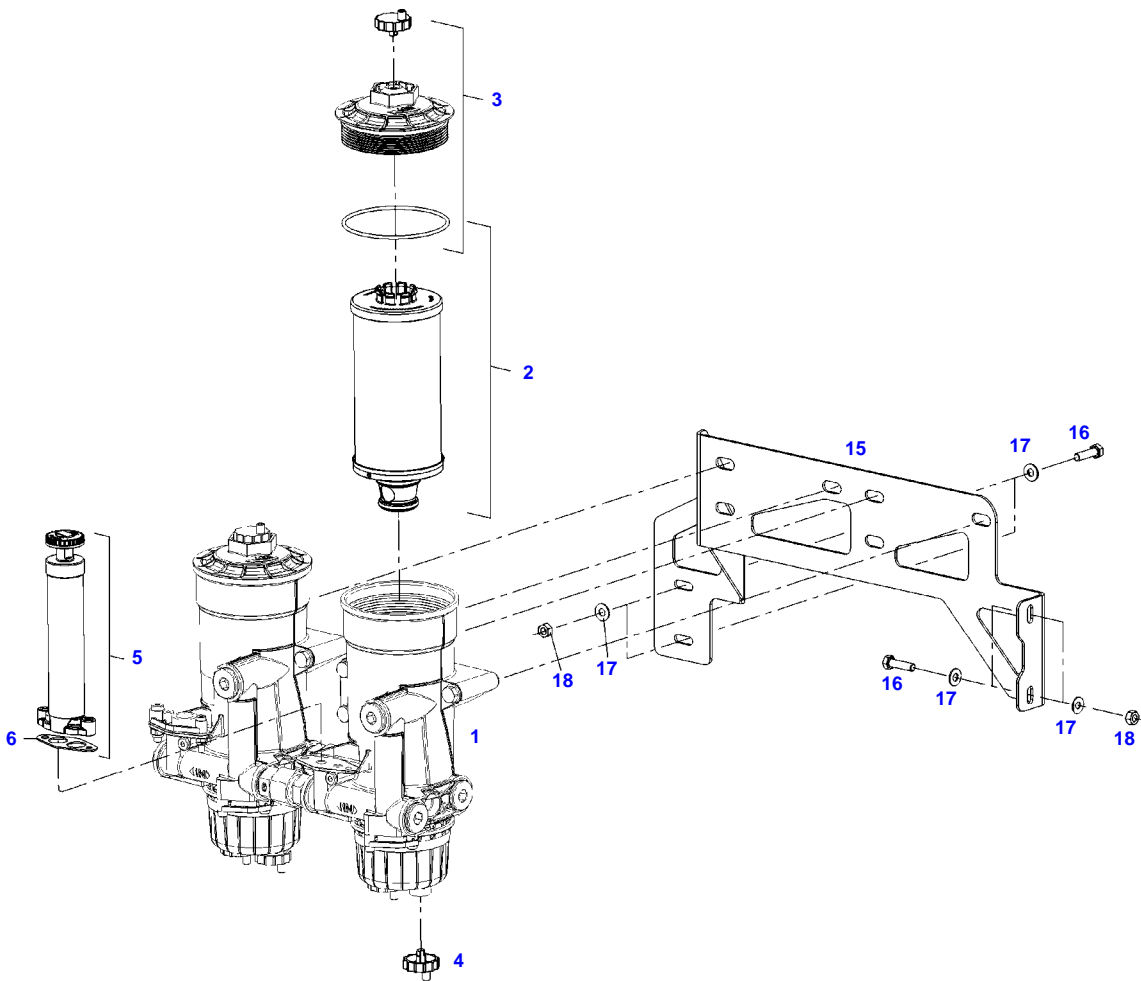


F061635



FUEL FILTER

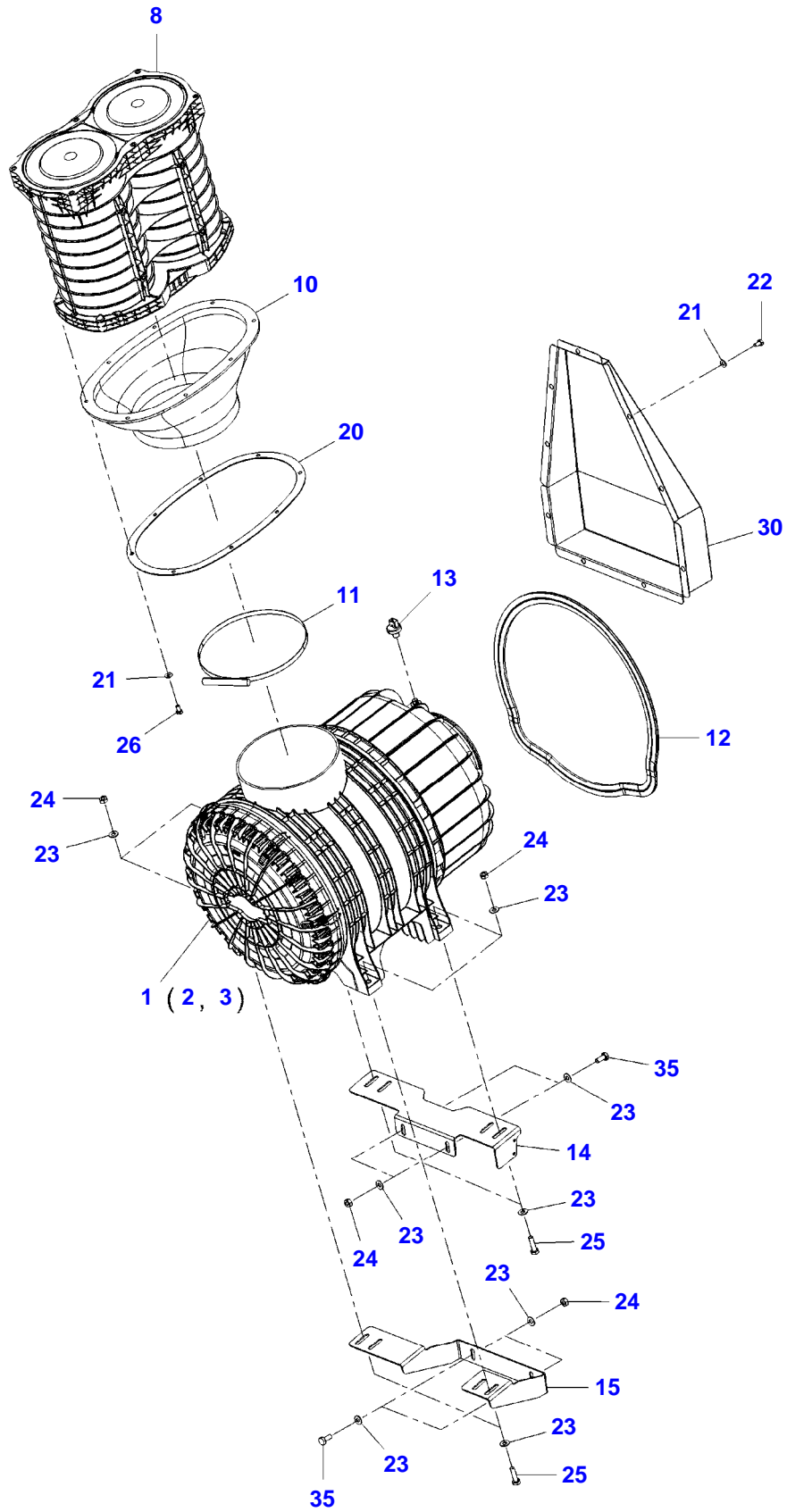
Item	Part Number	Qty	Description Comments	Technical Specification
1	F653201220640	1	FUEL FILTER INCLUDES ITEMS 2	
2	F653201060010	2	FILTER ELEMENT.	219X90
5	F653201220670	1	SENSOR PRESSURE B266	
6	F653201220680	4	TORX SCREW	DIN34801 M10X110
7	F653201220690	10	SOCKET	13
8	V615881824	10	SEALING WASHER	
9	F653201220700	8	SPACER	
10	F653201220710	8	BANJO BOLT	
11	V615881822	8	SEALING WASHER	
12	F653201220720	16	O-RING	23X3
15	F653201220730	1	FUEL LINE	
16	F653201220740	1	FUEL LINE	
17	F653201220750	1	FUEL LINE	
18	F653201220760	1	FUEL LINE	
19	F653201220770	1	FUEL LINE	
20	F653201220780	1	HOLDER	
21	F653201220790	2	SLEEVE	
22	F653201220800	1	SPACER	L=40 / 27 SW13
23	F653201220400	1	FUEL HOSE	
24	F653201220820	6	CLIP	18/15
25	F653201220830	6	TORX SCREW	DIN34800 M6X16
26	F653201220840	4	HEX NUT	ISO4032 M6
27	F653201220850	1	FUEL LINE	
28	F653201220860	1	HOLDER	
29	F653201210350	5	TORX SCREW	DIN34800 M8X16
30	F653201220870	1	SPACER	
31	F653201220880	1	HOLDER	
33	F653201220890	1	FUEL LINE	
34	F653201210370	8	TORX SCREW	DIN34800 M6X12
35	F653201220900	1	FUEL LINE	
36	F653201220910	1	FUEL LINE	
37	F653201220920	2	BANJO BOLT	A 6
38	F653201240220	4	SEALING WASHER	DIN7603 A 12X16
39	F653201220930	1	ADAPTER NIPPLE	13 / 8
40	F653201220940	1	DOUBLE SOCKET	8
41	V615881620	2	SEALING WASHER	
42	F653201220950	1	FUEL LINE	
43	F653201220960	1	SPACER	
45	X450105100000	1	DISC	DIN125A-6,4-PA
46	F653201220970	1	HOLDER	
47	F653201220980	1	FUEL LINE	
49	F653201220990	1	HOLDER	
51	F653201230010	1	FUEL LINE	
52	F653201230020	1	FUEL LINE	
55	F653201230030	1	CLOSING CONE	
56	F653201230040	1	NUT	M26X1,5
57	F653201230050	1	CLOSING CONE	
58	F653201230060	1	NUT	M22X1,5



F061559

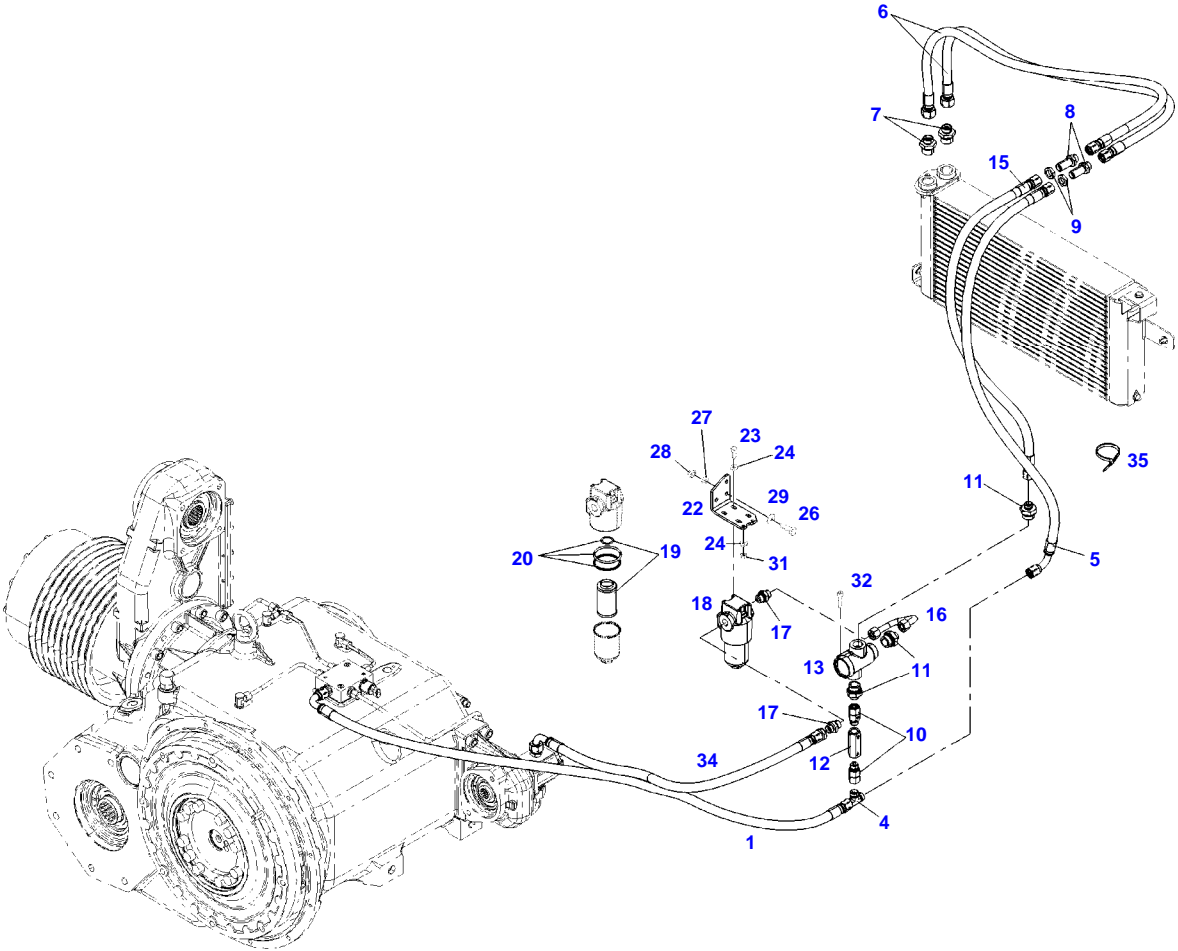


Item	Part Number	Qty	Description Comments	Technical Specification
1	G653201070010	1	FUEL PREFILTER INCLUDES ITEMS 2-5	
2	F653201070010	2	FUEL PREFILTER	
3	F653201070020	2	FILTER LID	
4	F653201070030	2	DRAIN PLUG	
5	F653201070040	1	HAND PUMP	
6	F653201070060	1	GASKET	
15	653201070030	1	HOLDER FROM - UP TO MACHINE S/N 653/0101 - 653/0106	
	653201070040	1	HOLDER FROM MACHINE S/N 653/1001	
16	X487528141000	4	HEXAGONAL HEAD BOLT	DIN 933 M8 X 30-8.8A3L
17	X522503900000	8	SPLIT WASHER	DENTED EDGE M8 FORM M-GEO321B
18	X428202439000	4	NUT	DIN 934 M8-8A3L



7989663-M-1

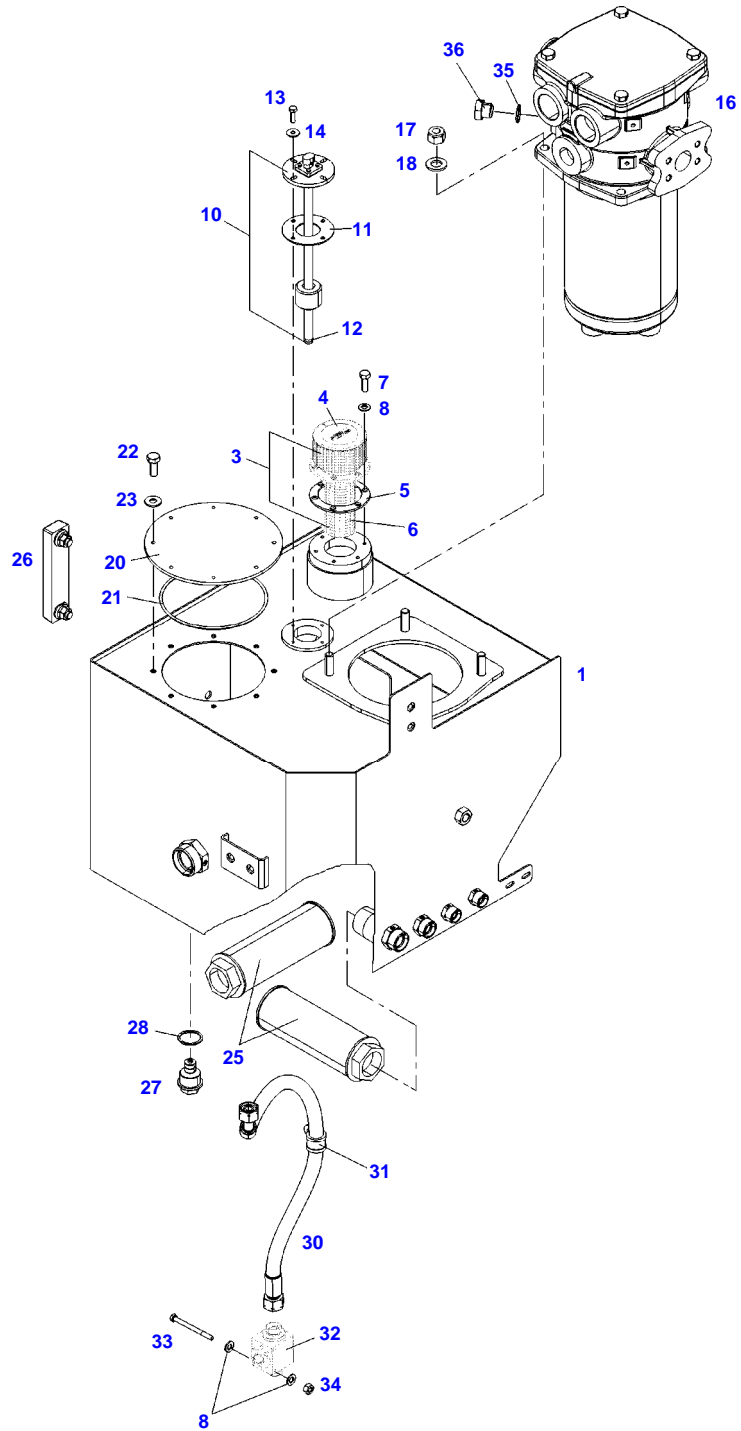
Item	Part Number	Qty	Description Comments	Technical Specification
			FROM MACHINE S/N 653/1001	
1	G653201092011	1	AIR FILTER INCLUDES ITEMS 2-3	
2	653201092050	1	PRIMARY AIR FILTER ELEMENT	
3	653201092070	1	SECONDARY AIR FILTER ELEMENT	
8	G653201092020	1	PRE SEPARATOR	TWIN CYCLONE
10	653201092110	1	SOCKET	
11	X458659900000	1	HOSE CLIP	TORRO 250-270/12 C7 W1
12	X304149000300	1	PROTECTIVE STRIP CUT TO LENGTH 1650 MM	L=3000
13	650203090010	1	MAINTENANCE SWITCH	
14	653201092280	1	SHEET METAL	
15	653201092250	1	SHEET METAL	
20	653201092511	1	SHEET METAL RING	
21	X522503900000	17	SPLIT WASHER	DENTED EDGE M8 FORM M-GEO321B
22	X487526841000	9	HEXAGONAL HEAD BOLT	DIN 933 M8 X 16-8.8A3L
23	X522504400000	16	SPLIT WASHER	DENTED EDGE M10 FORM M-GEO321B
24	X428202839000	8	NUT	DIN 934 M10-8A3L
25	X487531941000	4	HEXAGONAL HEAD BOLT	DIN 933 M10X40-8.8A3L
26	X487527741000	8	HEXAGONAL HEAD BOLT	DIN 933 M8 X 20-8.8A3L
30	653201092260	1	SHEET METAL	
35	X487531541000	4	HEXAGONAL HEAD BOLT	DIN 933 M10X25-8.8A3L



051541

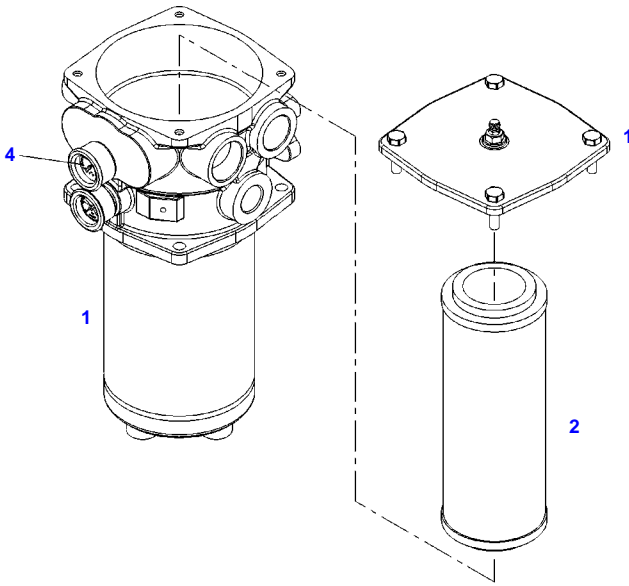


Item	Part Number	Qty	Description Comments	Technical Specification
			UP TO MACHINE S/N WAM653XXX00F01300	
1	G653951600061	1	RETURN HOSE	
	X548832201000	1	O-RING	12X2-FPM 70 FWN56402
	X548819150000	1	O-RING	9X1,5-NBR 70 FWN56402
4	X592716200000	1	T-FITTING	DIN 3908-L12-A3L
5	G653951600051	1	RETURN HOSE	
	X548819150000	2	O-RING	9X1,5-NBR 70 FWN56402
6	G653951600071	2	PRESSURE HOSE	
	X548819150000	1	O-RING	9X1,5-NBR 70 FWN56402
	X548832201000	1	O-RING	12X2-FPM 70 FWN56402
7	X592501305000	2	SCREW NECK	DIN 3901-L15-M-ST-A3L_1
8	X592116200000	2	STRAIGHT BULKHEAD UNION	DIN3910-L12-ST-A3L
9	X435904800000	2	NUT	DIN80705-M18X1,5-11H-A3L
10	X592510800000	2	SCREW NECK	L12-G3/8A
11	524893070100	3	TUBE FITTING	
12	H650953600150	1	CHECK VALVE	RV-10-01.1/0-5BAR
13	G210952250020	1	OIL TEMPERERATURE CONTROLLER	
	G210952251020	1	REGULATOR CARTRIDGE	
	F210952250010	1	O-RING	37X2,5MM FPM 70SHORE
15	G653951600021	1	PRESSURE HOSE	
	X548819150000	2	O-RING	9X1,5-NBR 70 FWN56402
16	H653951600010	1	BOOST PIPE	
17	X592501205000	2	SCREW NECK	FWN65925-L12-M18X1,5OMD-A3L 1
18	G931962025040	1	FILTER	
19	F931962025010	1	FILTER ELEMENT	
20	F931962025070	1	SEAL KIT	
22	653951600030	1	HOLDER	
23	X487520041000	4	HEXAGONAL HEAD BOLT	DIN 933-M6 X 16-8.8-A3L
24	X522503000000	6	SPLIT WASHER	DENTED EDGE M6 FORM M-GEO321B
26	X487527941000	3	HEXAGONAL HEAD BOLT	DIN 933 M8 X 25-8.8A3L
27	X450006308000	3	DISC	DIN 125-8,4-ST.A3L
28	X428202439000	3	NUT	DIN 934 M8-8A3L
29	X522503900000	3	SPLIT WASHER	DENTED EDGE M8 FORM M-GEO321B
31	X428202239000	2	NUT	DIN 934 M6-8A3L
32	X485005300000	2	SOCKET HEAD BOLT	DIN 912 M6X25-8.8 A3L
34	G653951600081	1	PRESSURE HOSE	
	X548819150000	1	O-RING	9X1,5-NBR 70 FWN56402
	X548832201000	1	O-RING	12X2-FPM 70 FWN56402
			ORDER ADDITIONAL	
	X592301301000	1	THREADED STUD	L15-A3G
35	X665091000000	6	CABLE STRAP	FWN 66650 B360X7,5-SW



F060662

Item	Part Number	Qty	Description Comments	Technical Specification
1	H653961050011	1	HYDRAULIC TANK <-- 653/0101 --> 653/0200	
	H653961051011	1	HYDRAULIC TANK <-- 653/1001 --> 653/9999	
3	G916861060011	1	FILTER ><4,5,6	
4	F916861060011	1	VENTILATION FILTER	
5	F395860060030	1	FLAT SEALING WASHER	
6	F916860060020	1	INLET STRAINER ><5	
7	X487516941000	6	HEXAGONAL HEAD BOLT	DIN 933 M5X16-8.8A3L
8	X450003908000	10	DISC	DIN 125-5,3-ST.A3L
10	G650963050020	1	FUEL LEVEL SENSOR ><11,12	
11	F716970020030	1	FLANGE WASHER	
12	X548821200000	1	O-RING	D9X2,5
13	X487516941000	4	HEXAGONAL HEAD BOLT	DIN 933 M5X16-8.8A3L
14	X454303908000	4	DISC	DIN9021-5,3-140HV-A3L
16			SEE PAGE 05-0065	
17	X434103240000	4	NUT	DIN 980-VM12-8-A3L
18	X450008708000	4	DISC	DIN 125-13-ST.A3L
20	650963050150	1	COVER	
21	X549017500000	1	O-RING	149X4-NBR 70-FWN56402
22	X487520041000	8	HEXAGONAL HEAD BOLT	DIN 933-M6 X 16-8.8-A3L
23	X522503000000	8	SPLIT WASHER	DENTED EDGE M6 FORM M-GEO321B
25	H650963050050	2	SUCTION FILTER L=205MM	
	H716860060210	1	SUCTION FILTER L=120MM <-- 653/0101 --> 653/0200	
26	G653961050030	1	OIL LEVEL INDICATOR	
27	H716151150010	1	MAGNETIC FILTER	
28	X540009478000	1	SEALING WASHER	DIN 7603 A30X36-CU
30	G653961050050	1	RETURN HOSE <-- 653/0101 --> 653/0200	
	G653961051020	1	RETURN HOSE <-- 653/1001	
31	X459076400000	1	PIPE CLAMP	
32	X597805101000	1	2-WAY BALL VALVE BLOCK	
33	X486518400000	2	SCREW	DIN 931 M5X60-8.8-A3L
34	X428202039000	2	NUT	DIN 934 M5-8A3L
35	X540004078000	1	SEALING WASHER	DIN 7603 A14X18-CU
36	X494203800000	1	PLUG	DIN 7604 AM14X1,5-A3L



051709



Fendt

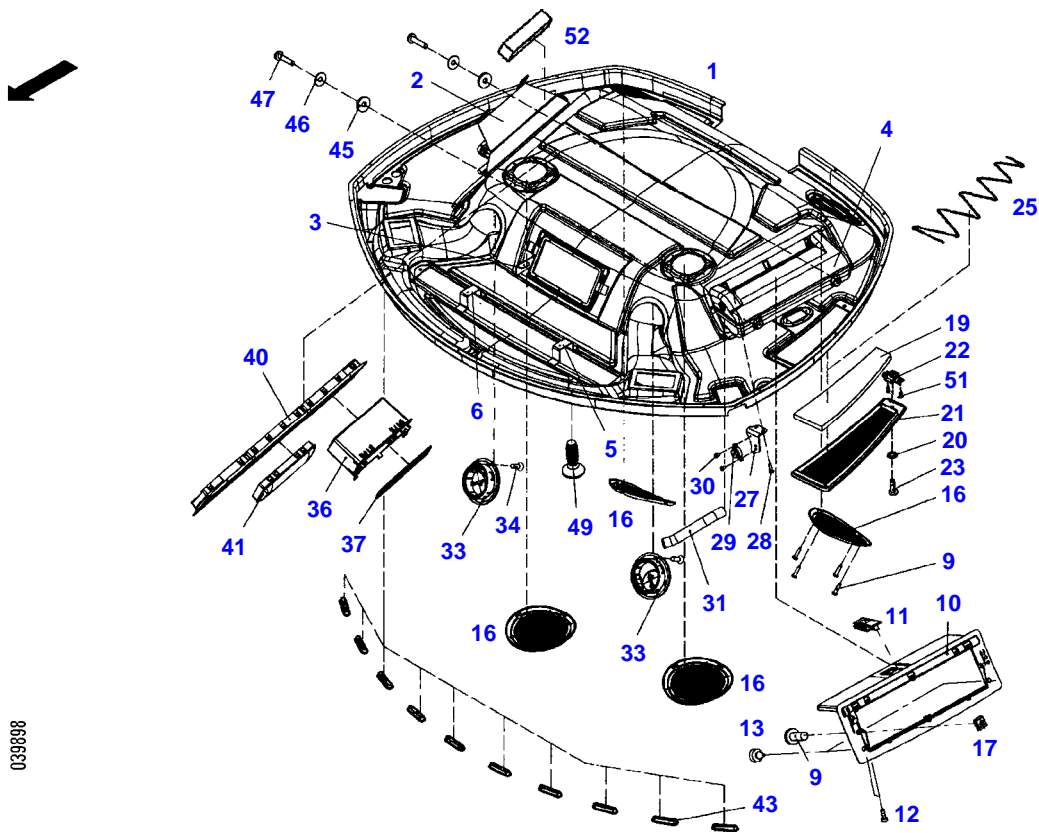
FENDT KATANA 85 S4 (653/00101-01100) (WAM653XXX00F01101-99999)

F653000

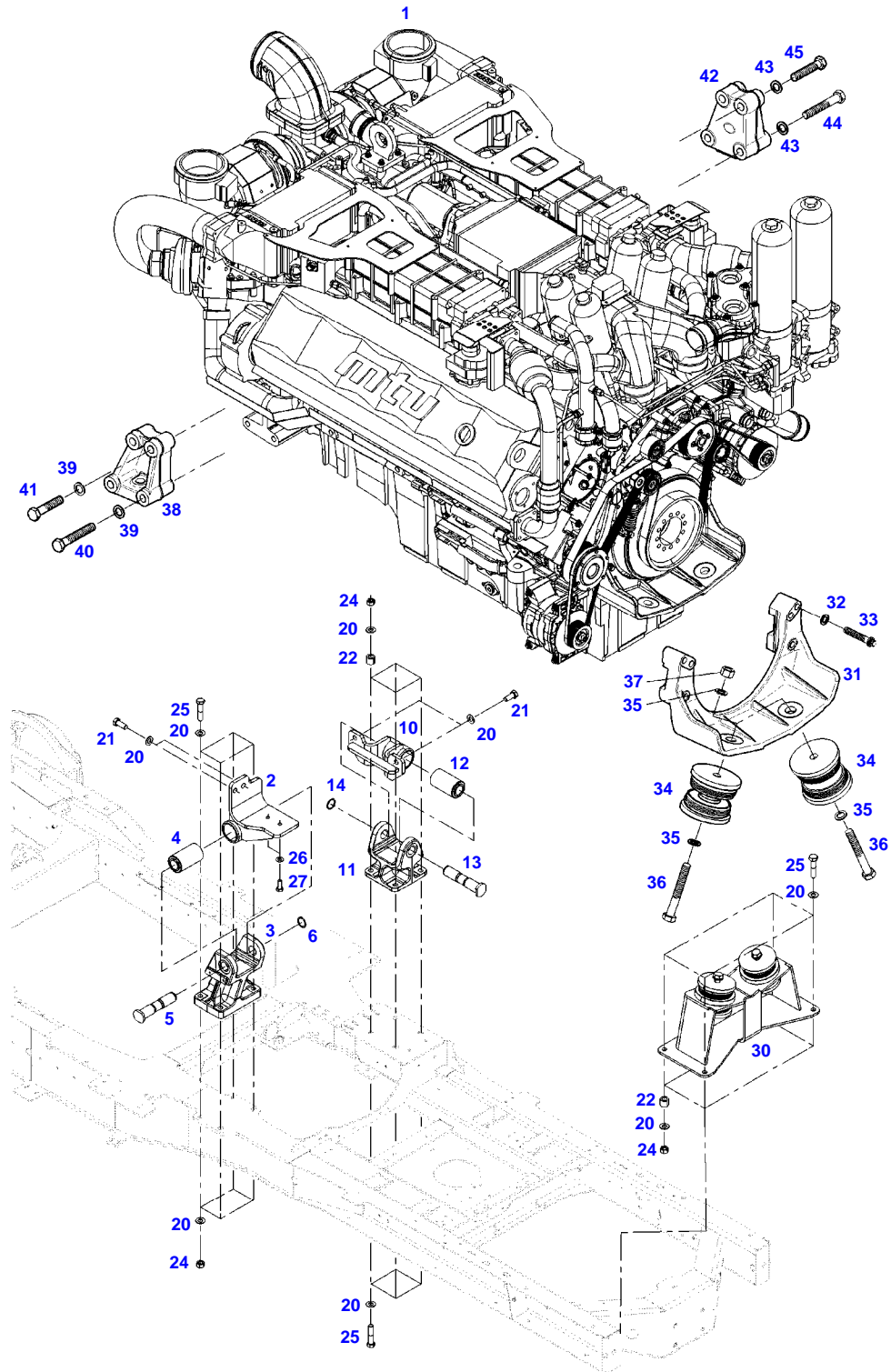
FILTERS - HYDRAULIC TANK

Page05-0065

Item	Part Number	Qty	Description Comments
1	G653961050041	1	FILTER ><2-4
	F653961050020	1	DIVIDER
	F650963050060	1	SEAL KIT
2	F650963050010	1	FILTER CARTRIDGE
4	F650963050040	1	PRESSURE GAUGE



Item	Part Number	Qty	Description Comments	Technical Specification
1	E650813080021	1	HEADLINING ><2-6	
2	F650813360580	1	RADIO BRACKET	
3	F650813360590	1	BRACKET	
4	F650813360600	1	COOL BOX	
5	F650813360610	1	RETAINING BRACKET	
6	F650813360620	1	RETAINING BRACKET	
9	X493808805000	6	SCREW	DIN 7981 ST4,2X19-C-H-A3L
10	G931812080113	1	COVER ><11-13	
11	931812080350	1	CATCH	
12	X473512001000	2	SCREW	KST-3,5X10
13	816810260061	2	PLUG STOPPER	
16	737812080220	4	SPEAKER	
17	X435721901000	2	SPEED NUT	4,2 ZN PASS
19	F650810020010	1	AIR FILTER	
20	F650813360680	1	LOCK WASHER	
21	F650813360670	1	GRATE	
22	F650813360690	1	CATCH	
23	F650813360700	1	CATCH	
25	F650813360750	1	WIRE	
27	F650813360710	1	RETAINING PLATE	
28	F650813360230	2	SCREW	
29	F650813360720	1	DAMPER	
30	X493801305000	2	SCREW	DIN 7981 ST2,9X6,5-C-H-A3
31	X665966500400	1	CORRUGATED PIPE	L=400 FWN66659 NW22-PA6
33	F650813360650	2	NOZZLE	
34	X493903100000	8	SCREW	DIN 7982 ST3,5X16-C-A3L
36	737812080260	1	STORAGE COMPARTMENT	
37	737812080290	1	NETWORK	
40	F650813080010	1	RADIO TRIM	
41	931812080300	1	COVER	
43	F650813360660	10	NOZZLE	
45	F650813360730	2	DISC	
46	X454305108000	2	DISC	DIN9021-6,4-140HV-A3L
47	X495923001000	2	OVAL HEAD SCREW	DIN 7985 M6X30-4.8A3L
49	F650813360740	15	SCREW	
51	X444908101000	2	POP RIVET	3X8
52	F650813020010	2	SEALING PROFILE	5M



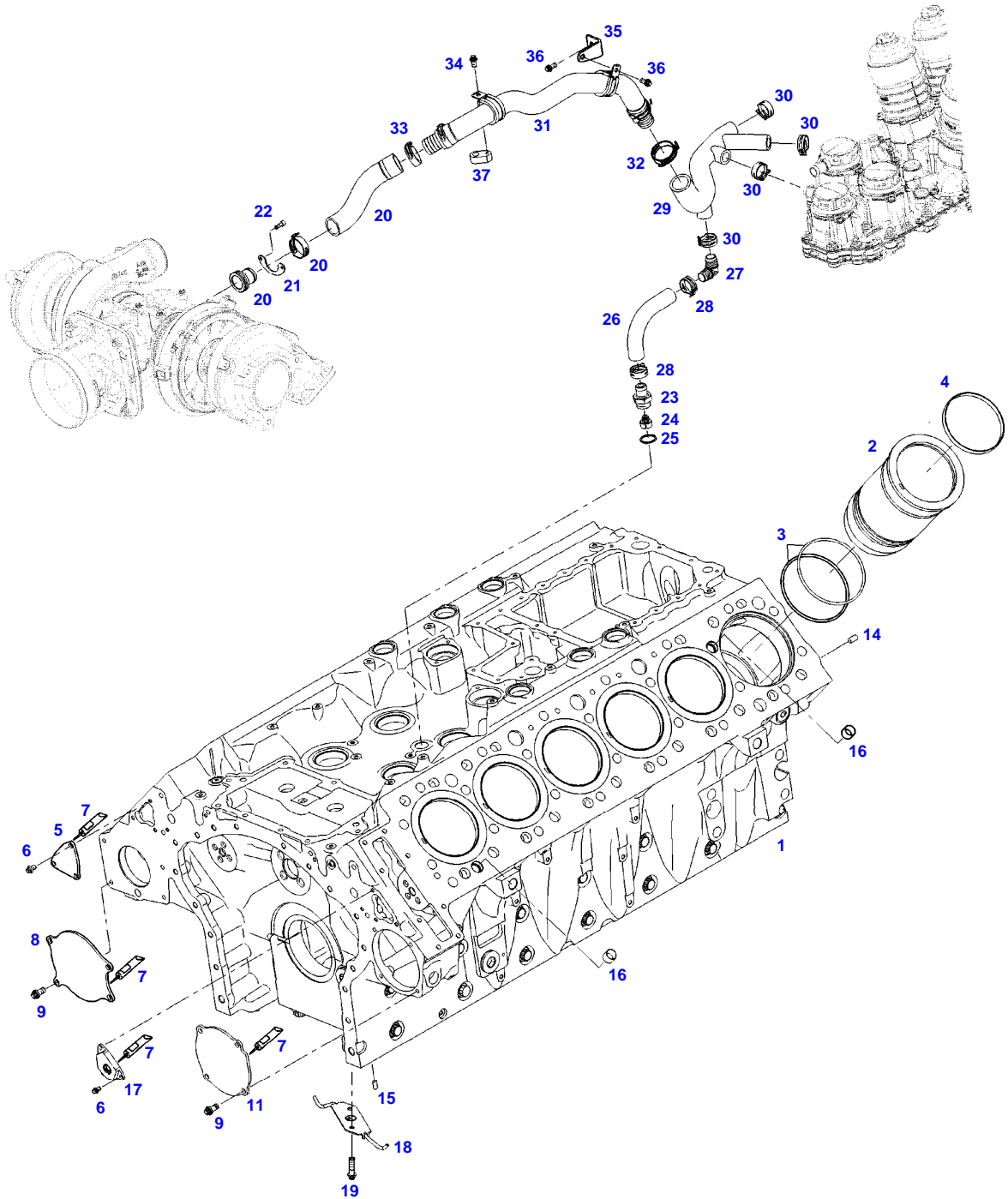
F061605



ENGINE AND MOUNTING

Item	Part Number	Qty	Description Comments	Technical Specification
1	E653201010050	1	DIESEL ENGINE	BR1600V12
2	G653201030020	1	BEARING INCLUDES ITEMS 2-5	
3			NOT AVAILABLE IN SINGLE PARTS	
4	653200030060	1	BUSH	
5	653201030160	1	INSERT PIN	
6	X530005346000	1	LOCK WASHER	DIN 471-42X1,75
10	G653201030030	1	BEARING INCLUDES ITEMS 12-14	
11			NOT AVAILABLE IN SINGLE PARTS	
12	653200030060	1	BUSH	
13	653201030160	1	INSERT PIN	
14	X530005346000	1	LOCK WASHER	DIN 471-42X1,75
20	X522507800000	28	SPLIT WASHER	DENTED EDGE M20 FORM M-GEO321B
21	X487554901000	4	HEXAGONAL HEAD BOLT	DIN933-M20X50-10.9-OB
22	650503531120	8	BUSH	
24	X428205005000	12	NUT	DIN 934 M20-10 A3L
25	X486555702000	12	HEXAGONAL HEAD BOLT	DIN 931 M20X90-10.9-OB3
26	X522506600000	2	SPLIT WASHER	DENTED EDGE M16 FORM M-GEO321B
27	X487545200000	2	HEXAGONAL HEAD BOLT	DIN 933 M16X40 GWA-10.9
30	H653201030030	1	ENGINE SUSPENSION	
31	F653201260070	1	ENGINE CARRIER	
32	F653201260080	6	WASHER	DIN433 17
33	F653201260090	6	TORX SCREW	DIN34800 M16X85
34	F653201260100	2	BEARING	
35	F653201260110	4	LOCK WASHER	NL24
36	F653201260120	2	HEXAGONAL HEAD BOLT	ISO4014 M24X180
37	F653201260130	2	HEX NUT	ISO4032 M24
38	F653201260140	1	ENGINE CARRIER	
39	F653201260150	4	WASHER	DIN433 21
40	F653201260160	2	HEXAGONAL HEAD BOLT	ISO4017 M20 X130
41	F653201260170	2	HEXAGONAL HEAD BOLT	ISO4017 M20 X100
42	F653201260180	1	ENGINE CARRIER	
43	F653201260150	4	WASHER	DIN433 21
44	F653201260160	2	HEXAGONAL HEAD BOLT	ISO4017 M20 X130
45	F653201260170	2	HEXAGONAL HEAD BOLT	ISO4017 M20 X100

FENDT KATANA 85 S4 (653/00101-01100) (WAM653XXX00F01101-99999)
F061610

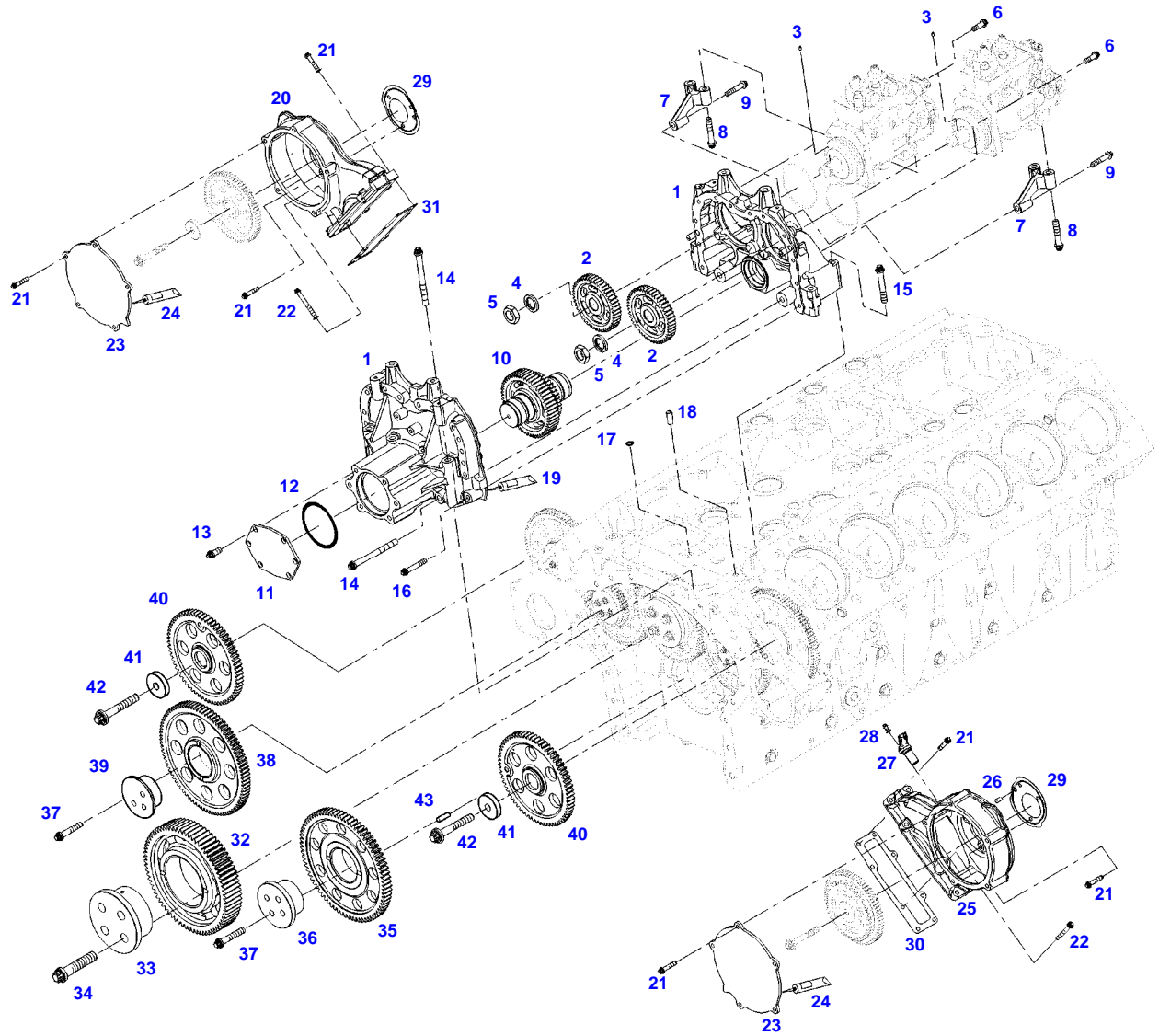


F061610



Item	Part Number	Qty	Description Comments	Technical Specification
1	F653201210060	1	CRANKCASE	
2	F653201210070	12	CYLINDER LINER	
3	F653201210080	24	SEALING WASHER	
4	F653201210090	12	SCRAPER RING	
5	F653201210100	1	CAP COVER	
6	F653201210030	6	TORX SCREW	M8X12
7	F653201210040	4	GASKET	LOCTITE 518
8	F653201210110	1	CAP COVER	
9	F653201210050	8	TORX SCREW	DIN34800 M10X20
11	F653201210120	1	CAP COVER	
14	F653201210130	2	DOWEL	ISO2338 10 M6X18
15	F653201210140	2	DOWEL	DIN7 8 M6X16
16	F653201210150	4	CENTERING SLEEVE	
17	F653201210020	1	CAP COVER	
18	F653201250080	6	OIL SPLASH NOZZLE	
19	F653201250090	12	TORX SCREW	DIN34800 M8X30
20	F653201210380	1	BREATHER LINE	
21	F653201210390	1	STRAP	
22	F653201210400	2	SOCKET HEAD BOLT	DIN912 M6X16
23	F653201210410	1	SCREW NECK	
24	F653201210420	1	VALVE	
25	F653201070050	1	SEALING WASHER	A26X31
26	F653201210430	1	HOSE	
27	F653201210440	1	SOCKET	
28	F653201260890	2	CLIP	
29	F653201210460	1	HOSE	
30	F653201260890	4	CLIP	
31	F653201210470	1	BREATHER LINE	
32	F653201260870	1	CLIP	
33	F653201260880	1	CLIP	
34	F653201210350	1	TORX SCREW	DIN34800 M8X16
35	F653201210500	1	HOLDER	
36	F653201210350	2	TORX SCREW	DIN34800 M8X16
37	F653201270050	1	HOLDER	

FENDT KATANA 85 S4 (653/00101-01100) (WAM653XXX00F01101-99999)
F061623

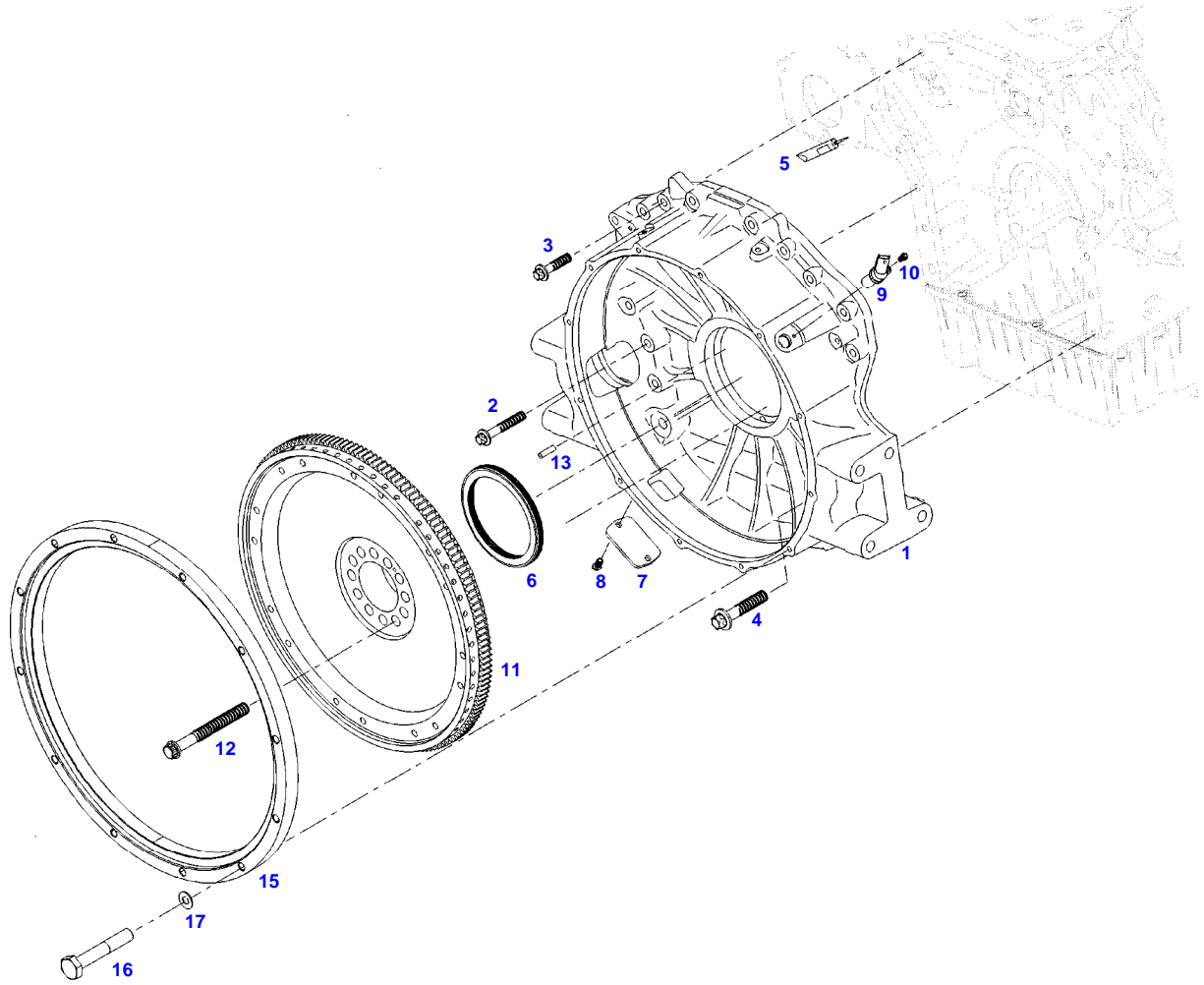


F061623



GEARS

Item	Part Number	Qty	Description Comments	Technical Specification
1	F653201210510	1	WHEEL BOX	
2	F653201210520	2	DRIVE GEAR	
3	F653201210530	2	DOWEL	ISO2338 4,7X8
4	F653201210540	2	SPLIT WASHER	DIN127 B 24
5	F653201210550	2	HEX NUT	ISO8675 M24X1,5
6	F653201210560	8	TORX SCREW	DIN34800 M10X30
7	F653201210570	2	BRACKET	
8	F653201210580	4	TORX SCREW	DIN34800 M12X60
9	F653201210590	2	TORX SCREW	M10X50
10	F653201210600	1	DRIVE SHAFT	
11	F653201210610	1	LID	
12	F653201210620	1	O-RING	105X3
13	F653201210630	6	TORX SCREW	DIN34800 M12X25
14	F653201210640	6	TORX SCREW	DIN34800 M12X130
15	F653201210650	5	TORX SCREW	DIN34800 M12X80
16	F653201210660	10	TORX SCREW	DIN34800 M10X60
17	F653201210670	1	O-RING	11X3
18	F653201210680	2	DOWEL	DIN7 M6X28
19	F653201210270	1	GASKET	
20	F653201210690	1	HOUSING	LH
21	F653201210700	30	TORX SCREW	DIN34800 M8X40
22	F653201210710	2	TORX SCREW	DIN34800 M8X70
23	F653201210720	2	LID	
24	F653201210040	2	GASKET	LOCTITE 518
25	F653201210730	1	HOUSING	RH
26	F653201210740	1	DOWEL	DIN7 8 M6X14
27	F653201210360	1	SHAFT SPEED SENSOR CAM SHAFT B249	
28	F653201210370	1	TORX SCREW	DIN34800 M6X12
29	F653201210750	2	SEAL SECTION	
30	F653201210760	1	SEAL SECTION	
31	F653201210770	1	SEAL SECTION	
32	F653201210780	1	CENTRAL BODY	
33	F653201210790	1	JOURNAL	
34	F653201210800	4	TORX SCREW	DIN34800 M16X75
35	F653201210810	2	BACK GEAR	
36	F653201210820	2	JOURNAL	
37	F653201210830	14	TORX SCREW	DIN34800 M10X55
38	F653201210840	2	GEAR, IDLER	
39	F653201210850	2	JOURNAL	
40	F653201210860	2	CAM WHEEL	
41	F653201210870	2	BALANCING WEIGHT	
42	F653201210880	2	TORX SCREW	DIN34801 M12X1,5X80
43	F653201210890	1	DOWEL	DIN7 8 M6X24



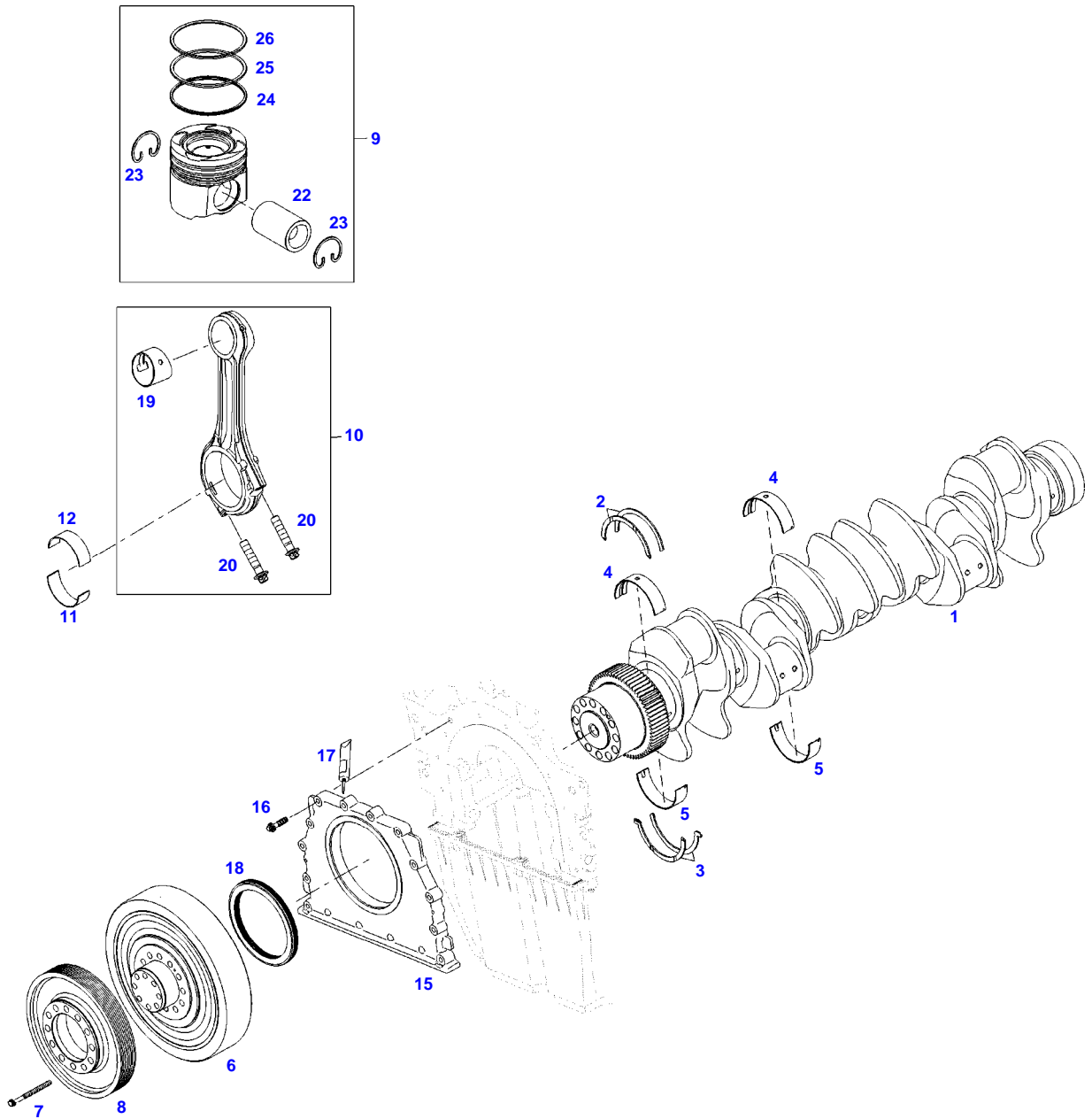
F061613



FLYWHEEL AND HOUSING

Item	Part Number	Qty	Description Comments	Technical Specification
1	F653201210290	1	FLYWHEEL HOUSING	
2	F653201210300	6	TORX SCREW	DIN34801 M12X80
3	F653201210310	10	TORX SCREW	DIN34801 M12X55
4	F653201210320	2	TORX SCREW	DIN34801 M16X85
5	F653201210270	1	GASKET	
6	F653201210330	1	RADIAL SHAFT LIP SEAL	
7	F653201210340	1	CAP COVER	
8	F653201210350	2	TORX SCREW	DIN34800 M8X16
9	F653201210360	1	SHAFT SPEED SENSOR CRANKSHAFT B250	
10	F653201210370	1	TORX SCREW	DIN34800 M6X12
11	F653201220040	1	FLYWHEEL	
12	F653201220050	12	WASHER HEAD BOLT	
13	F653201220060	1	DOWEL	DIN7 8 M6X28
15	653200010020	1	SPACER RING	
16	X486532341000	12	HEXAGONAL HEAD BOLT	DIN 931 M10X60-8.8A3L
17	X522504400000	12	SPLIT WASHER	DENTED EDGE M10 FORM M-GEO321B

FENDT KATANA 85 S4 (653/00101-01100) (WAM653XXX00F01101-99999)
F061614

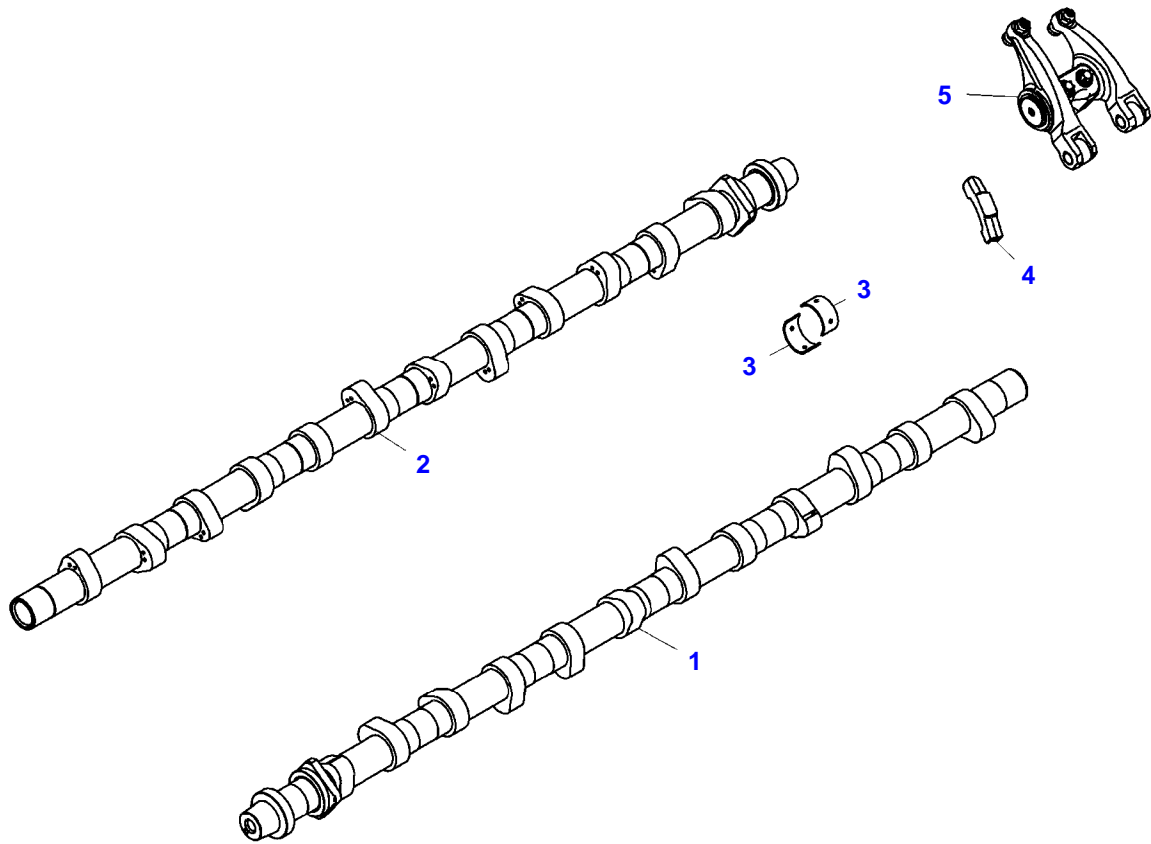
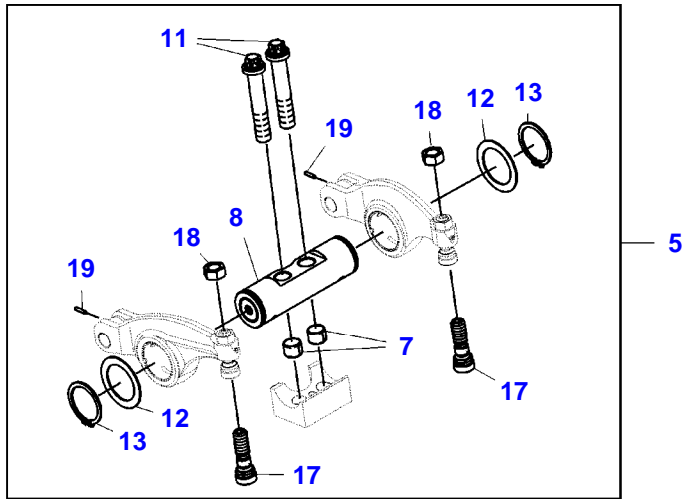


F061614



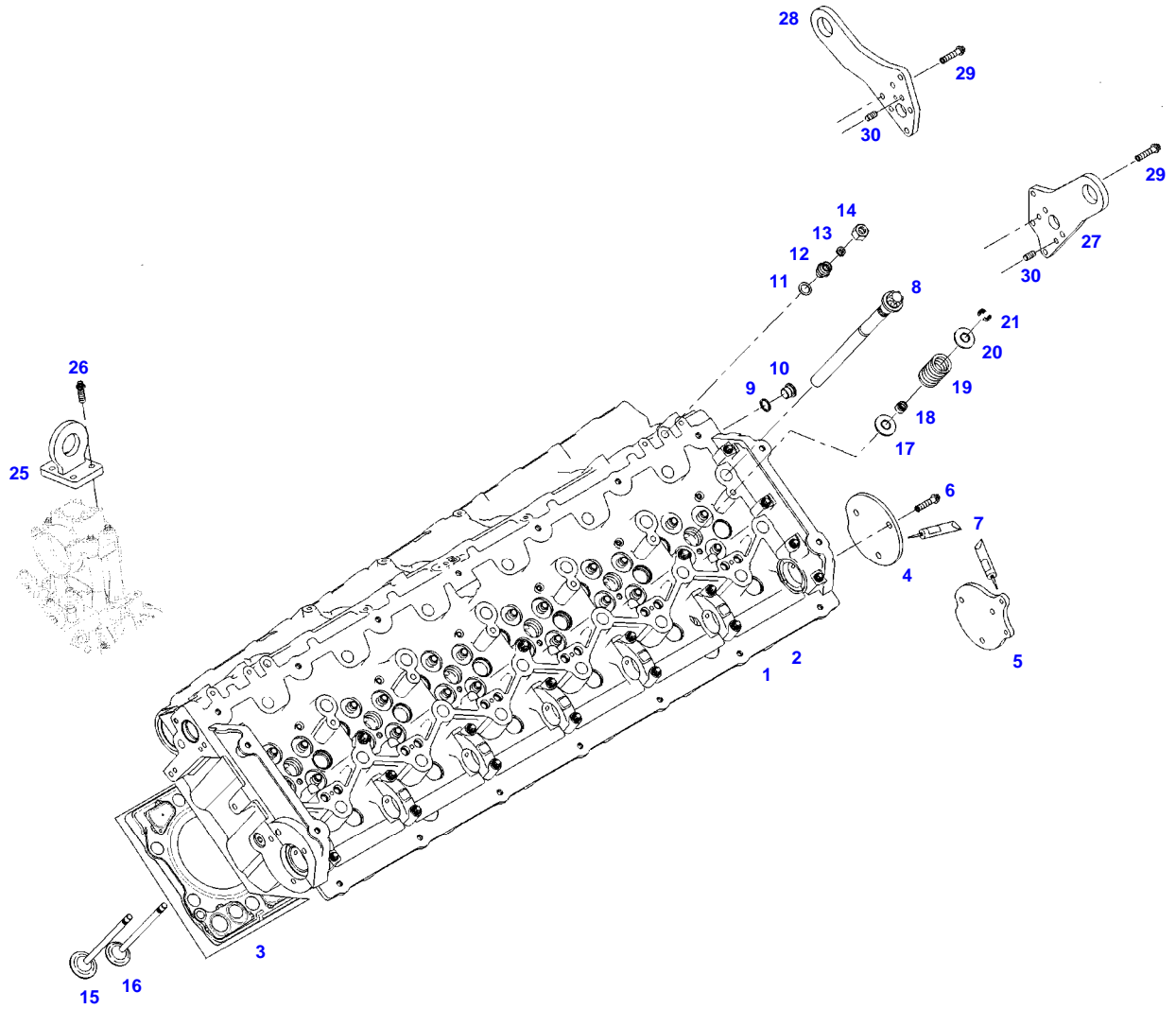
CRANKSHAFT AND PISTONS

Item	Part Number	Qty	Description Comments	Technical Specification
1	F653201220030	1	CRANKSHAFT	
2	F653201210980	2	AXIAL PLATE	
3	F653201210990	2	AXIAL PLATE	
4	F653201220010	7	CRANKSHAFT BEARING	
5	F653201220020	7	CRANKSHAFT BEARING	
6	F653201220080	1	CRANKSHAFT VIBRATION DAMPENER	
	F653201220340	1	SEAL REPAIR KIT	
7	F653201220070	12	WASHER HEAD BOLT	
8	F653201210960	1	PULLEY	
9	F653201220090	12	PISTON	
10	F653201220100	12	PISTON ROD	
11	F653201220120	12	CONROD BEARING	
12	F653201220110	12	CONROD BEARING	
15	F653201210250	1	SEALING FLANGE	
16	F653201210260	12	TORX SCREW	DIN34801 M8X35
17	F653201210270	1	GASKET	
18	F653201210280	1	RADIAL SHAFT LIP SEAL	
19			NOT AVAILABLE IN SINGLE PARTS	
20	F653201270070	24	CONNECTING ROD BOLT	
22	F653201270080	12	PISTON PIN	
23	F653201270090	24	SNAPRING	
24	F653201270100	12	OIL SCRAPER RING	
25	F653201270110	12	CHAMFER PIST.RG.	
26	F653201270120	12	TRAP.SECTION RG.	



Item	Part Number	Qty	Description Comments	Technical Specification
1	F653201220380	1	CAMSHAFT RIGHT	RH
2	F653201220300	1	CAMSHAFT LEFT	LH
3	F653201220140	28	BEARING SHELL	
4	F653201220280	24	VALVE BRIDGE	
5	F653201220150	12	ROCK.ARM BRACKET	
7	F653201270140	24	ROLL PIN	
8	F653201270150	12	ROCKER SHAFT ASM	
11	F653201270180	24	HEX FLANGE CAPSCREW	
12	F653201270190	24	FLAT WASHER	
13	F653201270200	24	LOCK WASHER	
17	F653201260970	24	ADJUSTING SCREW	
18	F653201260960	24	NUT	
19	F653201270240	24	ROLL PIN	

FENDT KATANA 85 S4 (653/00101-01100) (WAM653XXX00F01101-99999)
F061618

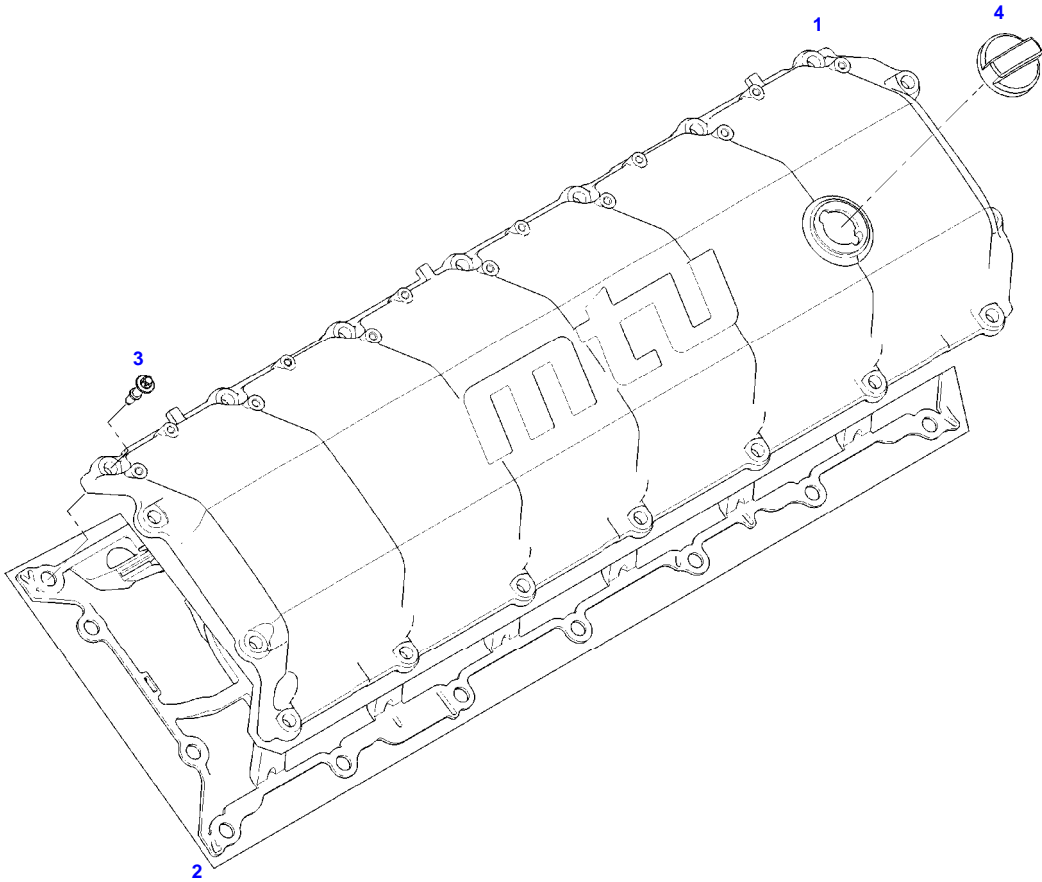


F061618



CYLINDER HEAD AND VALVES

Item	Part Number	Qty	Description Comments	Technical Specification
1	F653201220360	1	CYLINDER HEAD RIGHT	RH
2	F653201220130	1	CYLINDER HEAD LEFT	LH
3	F653201220350	2	CYLINDER HEAD GASKET	
4	F653201220370	1	LOCKING CAP	
5	F653201220190	1	LOCKING CAP	
6	F653201220200	6	TORX SCREW	DIN34800 M8X35
7	F653201210040	2	GASKET	LOCTITE 518
8	F653201220290	52	SCREW	
9	V615881620	6	SEALING WASHER	
10	X483801200000	6	PLUG SCREW	DIN 908 M16X1,5-ST
11	V615881420	2	SEALING WASHER	
12	F653201220160	2	SCREW NECK	
13	F653201220170	2	CLOSING CONE	
14	F653201220180	2	NUT	M16X1,5
15	F653201220220	24	INLET VALVE	
16	F653201220210	24	EXHAUST VALVE	
17	F653201220230	48	WASHER	
18	F653201220240	48	GASKET	
19	F653201220250	48	VALVE SPRING	
20	F653201220260	48	VALVE SPRING RETAINER	
21	F653201220270	96	VALVE SPRING KEY	
25	F653201210200	1	HOLDER	
26	F653201210210	4	TORX SCREW	DIN34800 M12X35
27	F653201210220	1	HOLDER	
28	F653201210230	1	HOLDER	
29	F653201210210	10	TORX SCREW	DIN34800 M12X35
30	F653201210240	4	DOWEL	ISO8734 12X26 -A



F061609



Thank you so much for reading.
Please click the “Buy Now!”
button below to download the
complete manual.



After you pay.

You can download the most
perfect and complete manual in
the world immediately.

Our support email:

ebooklibonline@outlook.com