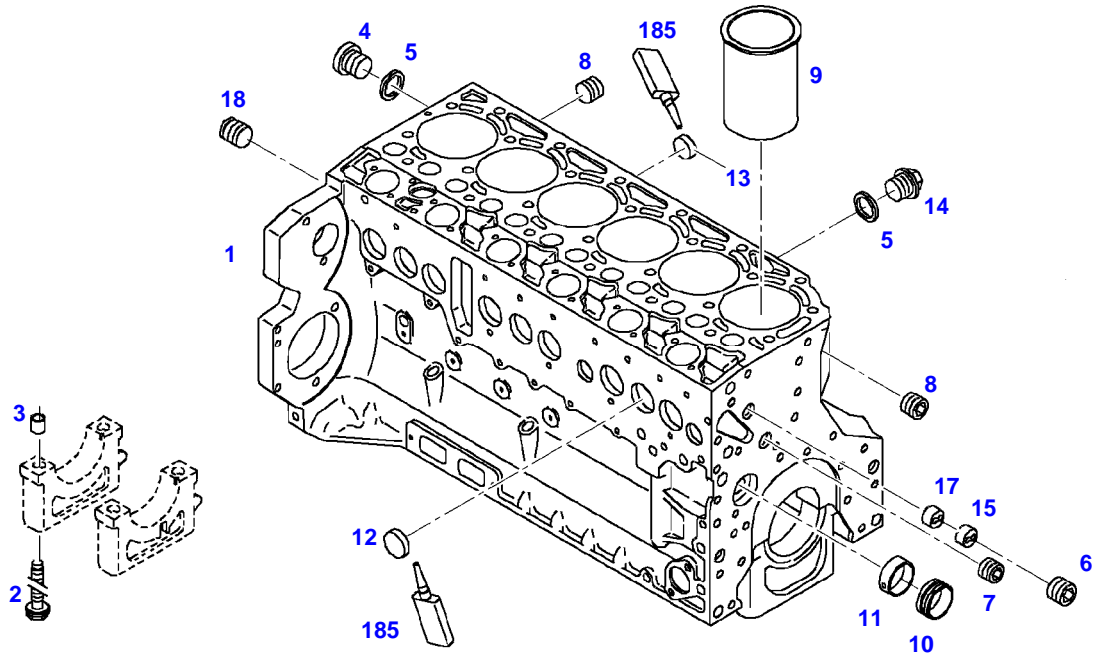


**TABLE OF CONTENT**

<b>Page Number</b>	<b>Page Title</b>	<b>Page Reference</b>
01-000-TOC	ENGINE, FUEL AND EXHAUST SYSTEM	01-000-TOC
02-000-TOC	AXLES	02-000-TOC
03-000-TOC	STEERING SYSTEM	03-000-TOC
04-000-TOC	DRIVE TRAIN SYSTEM	04-000-TOC
05-000-TOC	COMPRESSED AIR SYSTEM	05-000-TOC
06-000-TOC	HYDRAULIC SYSTEM	06-000-TOC
07-000-TOC	ELECTRICAL SYSTEM	07-000-TOC
08-000-TOC	CAB	08-000-TOC
09-000-TOC	AIR CONDITIONING AND HEATING SYSTEM	09-000-TOC
10-000-TOC	CHASSIS	10-000-TOC
11-000-TOC	WHEELS	11-000-TOC
12-000-TOC	IMPLEMENT LIFT SYSTEM FRONT	12-000-TOC
13-000-TOC	IMPLEMENT LIFT SYSTEM REAR	13-000-TOC
14-000-TOC	FRONT/REAR LOADERS	14-000-TOC
15-000-TOC	ACCESSORIES	15-000-TOC

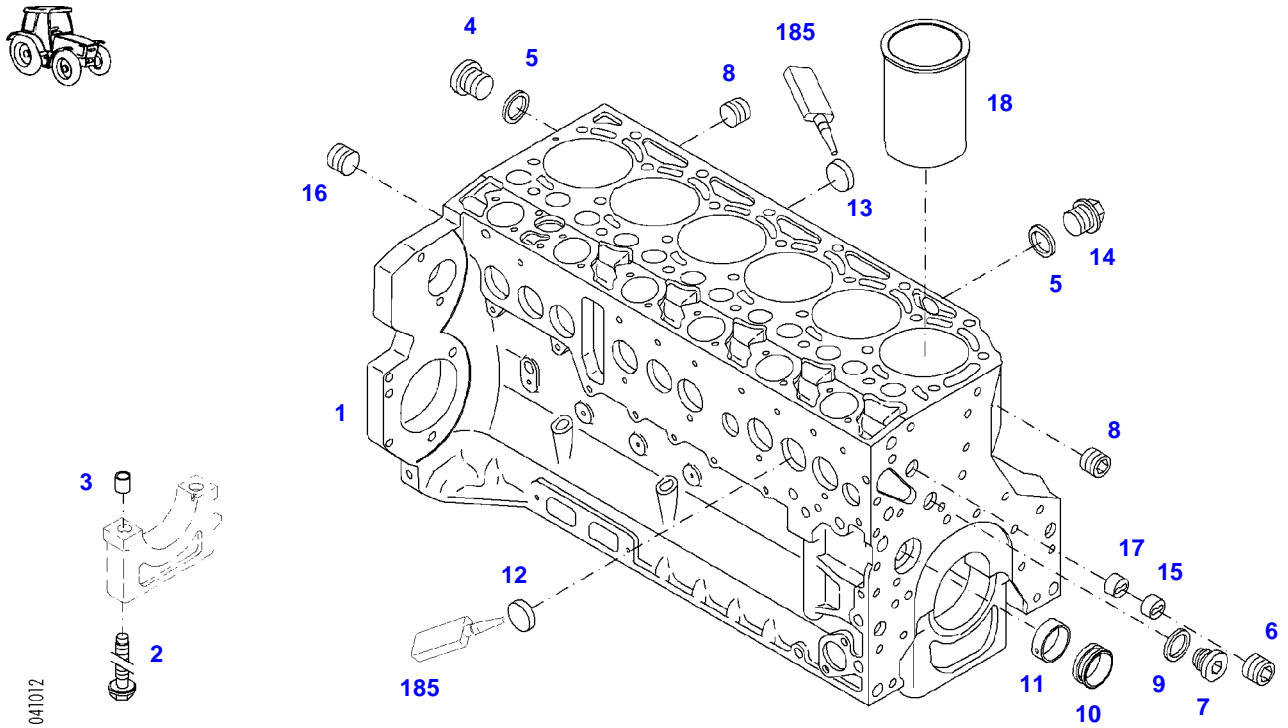
FENDT 714 (714/00201-00300 & 08001-99999)  
35077



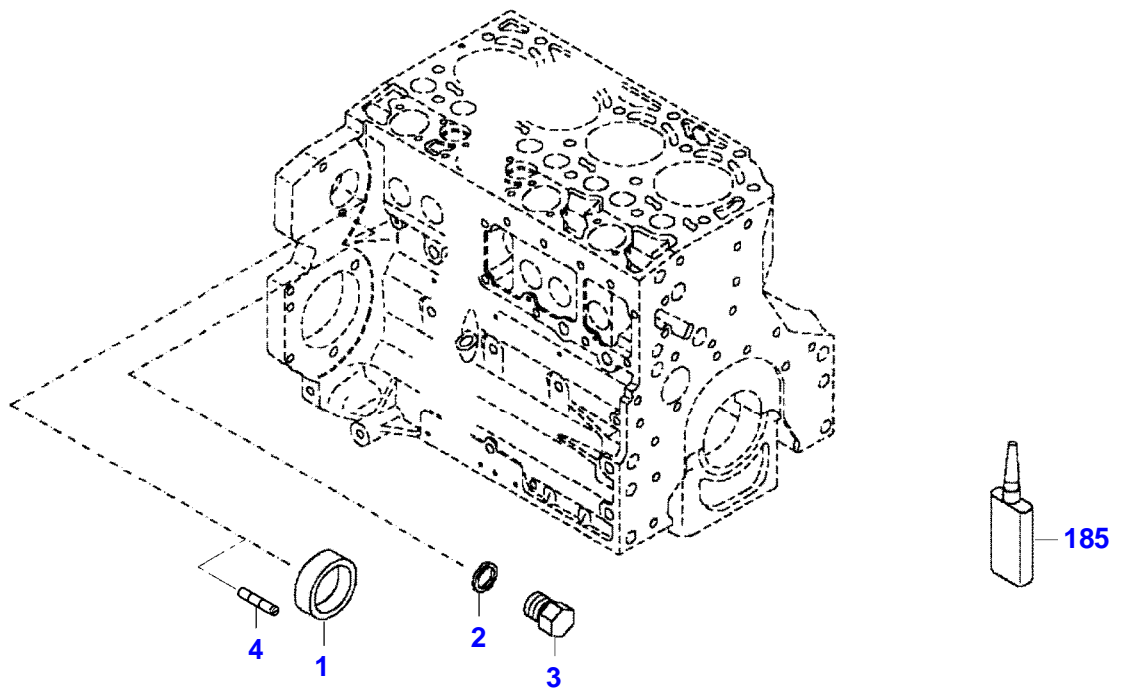
035077

Item	Part Number	Qty	Description Comments	Technical Specification
			<b>ENGINE NUMBER</b> --> 1061312	
	72434309	1	ENGINE ENGINE NEW FLYWHEEL MUST BE CHANGED IF A NEW ENGINE IS SUPPLIED <-- Z714.203.010.011 ENGINE EXCHANGE	BF06M2013C
1	72604532	1	REMANUFACTURED SHORT BLOCK ENGINE	
	72429392	1	CRANKCASE ><2-15,17,18 <-- F718.202.210.210	
2	72416467	14	HEXAGONAL HEAD BOLT	
3	72344342	14	ADAPTER BUSH	
4	72315438	1	PLUG SCREW	DIN 908 M14X1,5-ST
5	72315095	3	SEALING WASHER	DIN 7603 A14X20-CU
6	72325319	1	PLUG M30X1,5	
7	72325321	1	PLUG N22X1,5	
8	72429347	2	SCREW M14X1,5	M14X1,5
9	72416468	6	CYLINDER LINER	
10	72416469	6	BEARING BUSHING	
11	72416470	1	BEARING BUSHING	
12	72325325	9	CORE HOLE PLUG	
13	72325326	6	CORE HOLE PLUG	
14	72315799	2	PLUG	DIN 7604 AM14X1,5-A3L
15	72325327	1	GUIDE SLEEVE	
17	72415819	1	GUIDE SLEEVE	
18	72431135	1	LOCKING PLUG M22X1,5	
185	72381391	1	THREADLOCKER	LOCTITE 243 10ML

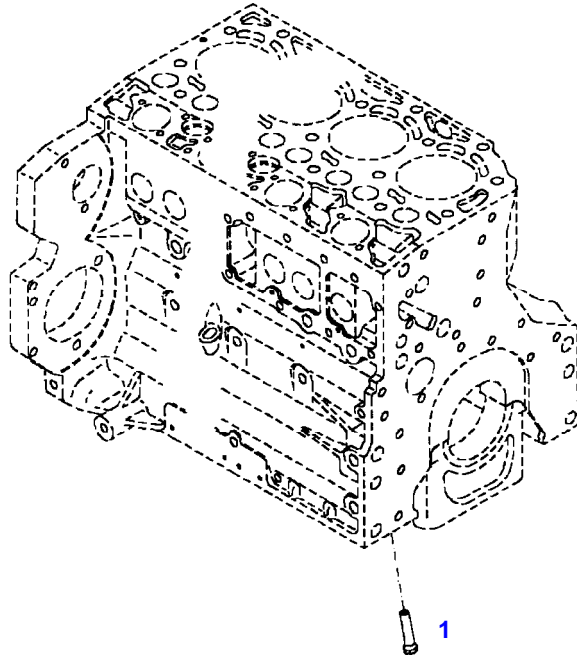
FENDT 714 (714/00201-00300 & 08001-99999)  
41012



Item	Part Number	Qty	Description Comments	Technical Specification
			<b>ENGINE NUMBER</b> -- 1061313	
	72434309	1	ENGINE ENGINE NEW FLYWHEEL MUST BE CHANGED IF A NEW ENGINE IS SUPPLIED --> 714/10172 <-- Z714.203.010.011 ENGINE EXCHANGE	BF06M2013C
	72604532	1	REMANUFACTURED SHORT BLOCK ENGINE --> 714/10172	
	72451253	1	ENGINE ENGINE NEW <-- 714/10173 <-- Z714.203.010.012 ENGINE EXCHANGE	BF06M2013C
	72604532	1	REMANUFACTURED SHORT BLOCK ENGINE <-- 714/10173	
1	72497864	1	CRANKCASE ><2-18 SERIES EXECUTION NICHT MEHR LIEFERBAR	
	72616648	1	CRANKCASE SUPERSESSION	
2	72416467	14	HEXAGONAL HEAD BOLT	
3	72344342	14	ADAPTER BUSH	
4	72315438	1	PLUG SCREW	DIN 908 M14X1,5-ST
5	72315095	3	SEALING WASHER	DIN 7603 A14X20-CU
6	72325319	1	PLUG M30X1,5	
7	72325321	1	PLUG N22X1,5 ENG.NO. --> 10413816	
	72455559	1	PLUG SCREW ENG.NO. <-- 10413817	
8	72429347	2	SCREW M14X1,5	M14X1,5
9			NOT USED ENG.NO. --> 10413816	
	72455567	1	SEALING WASHER ENG.NO. <-- 10413817	DIN 7603 D22X27-CU
10	72416469	6	BEARING BUSHING	
11	72416470	1	BEARING BUSHING	
12	72325325	9	CORE HOLE PLUG	
13	72325326	6	CORE HOLE PLUG	
14	72315799	2	PLUG	DIN 7604 AM14X1,5-A3L
15	72325327	1	GUIDE SLEEVE	
16	72431135	1	LOCKING PLUG M22X1,5	
17	72415819	1	GUIDE SLEEVE	
18	72451321	6	CYLINDER LINER	
185	72381391	1	THREADLOCKER	LOCTITE 243 10ML



Item	Part Number	Qty	Description Comments	Technical Specification
<b>BLANKING PARTS</b>				
1	72627515	1	CORE HOLE PLUG	
2	72315088	2	SEALING WASHER	DIN 7603 A10X13,5-CU
3	72323677	2	PLUG	
4	72631860	2	SLUG	
185	72325403	1	SAFE.LOCK AGENT	



030004



---

Fendt

FENDT 714 (714/00201-00300 & 08001-99999)

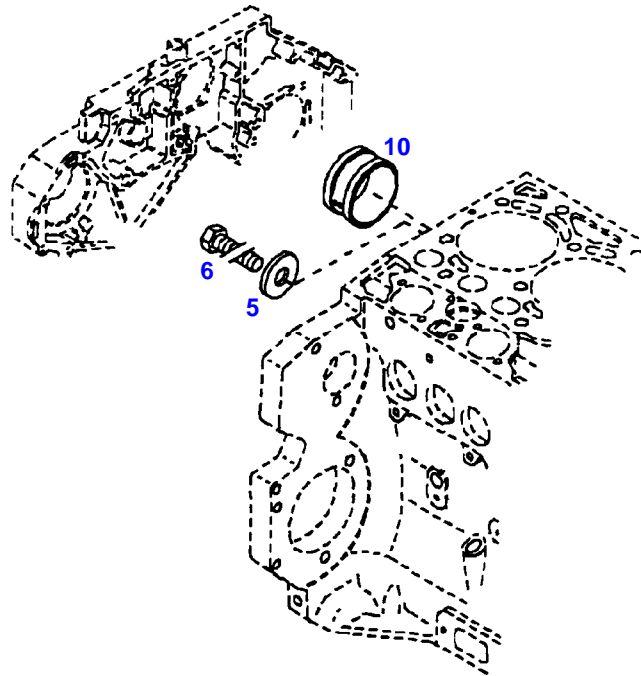
F714001

CRANKCASE

Page01-0004

---

Item	Part Number	Qty	Description Comments
			PISTON COOL.NOZZLE
1	72415140	6	PISTON COOLING JET



12574

---

Fendt

FENDT 714 (714/00201-00300 & 08001-99999)

F714001

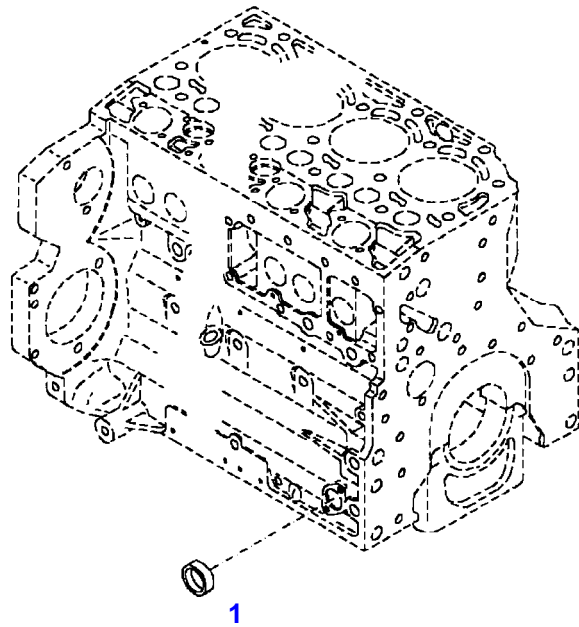
CRANKCASE

Page01-0005

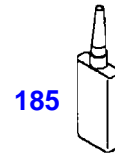
---

Item	Part Number	Qty	Description Comments
<b>BLANKING PARTS</b>			
5	72415828	1	DISC
6	72426697	1	HEXAGONAL HEAD BOLT
10	72426698	1	BUSH

FENDT 714 (714/00201-00300 & 08001-99999)  
40194



040194



---

Fendt

FENDT 714 (714/00201-00300 & 08001-99999)

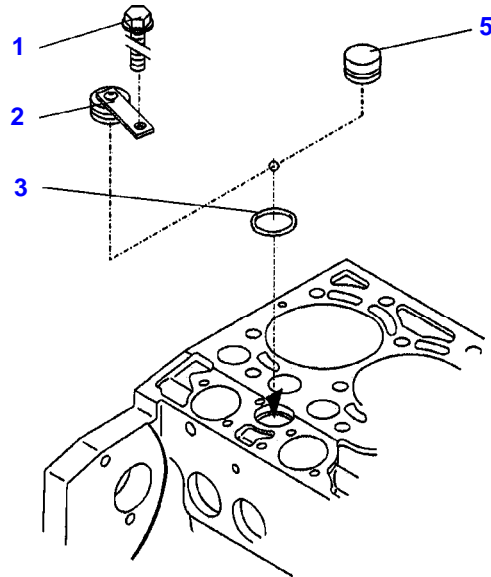
F714001

CRANKCASE

Page01-0006

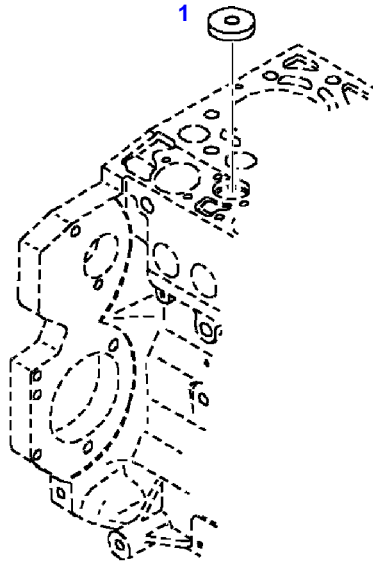
---

Item	Part Number	Qty	Description Comments
			LOCKING PLUG
1	72325326	1	CORE HOLE PLUG
185	72325403	1	SAFE.LOCK AGENT



040896

Item	Part Number	Qty	Description Comments
			<b>BLANKING PARTS</b>
			<b>ENGINE NUMBER</b>
			--> 10062160
1	72433726	1	WASHER HEAD BOLT
2	72433725	1	LOCKING PART
			><3
3	72325392	1	SEAL
			26X3MM
5	72426700	1	LOCKING PLUG
			<-- F718.202.210.110 1X
			<>
	72433726	1	WASHER HEAD BOLT



035132



---

Fendt

FENDT 714 (714/00201-00300 & 08001-99999)

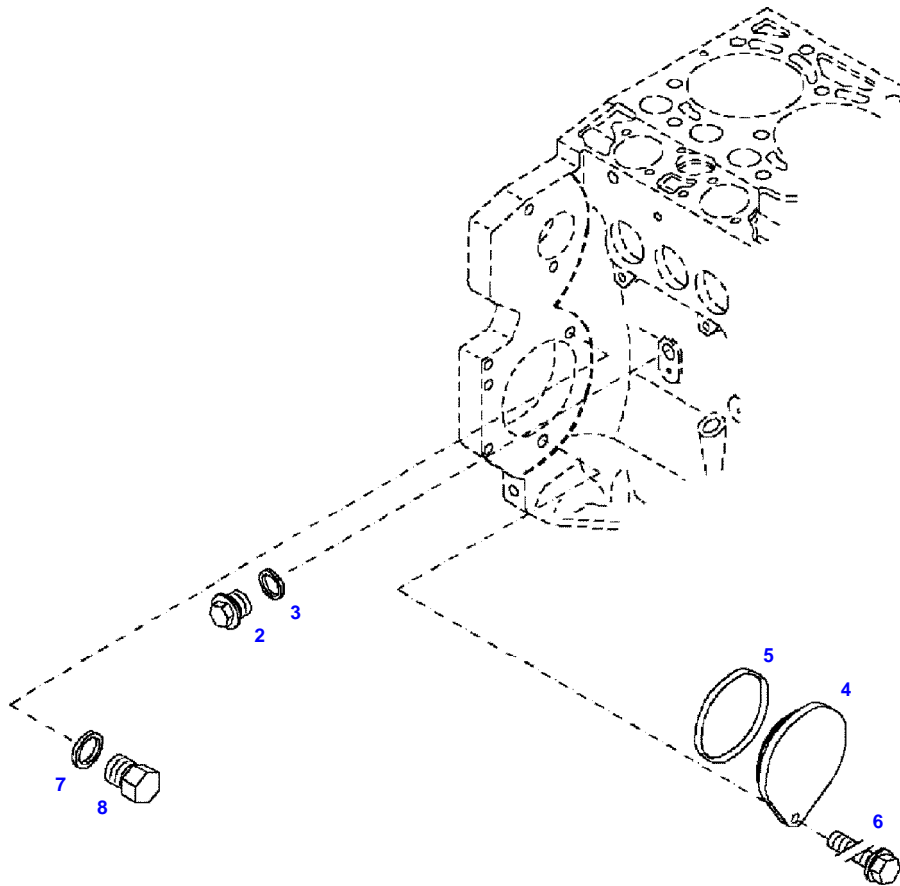
F714001

CRANKCASE

Page01-0008

---

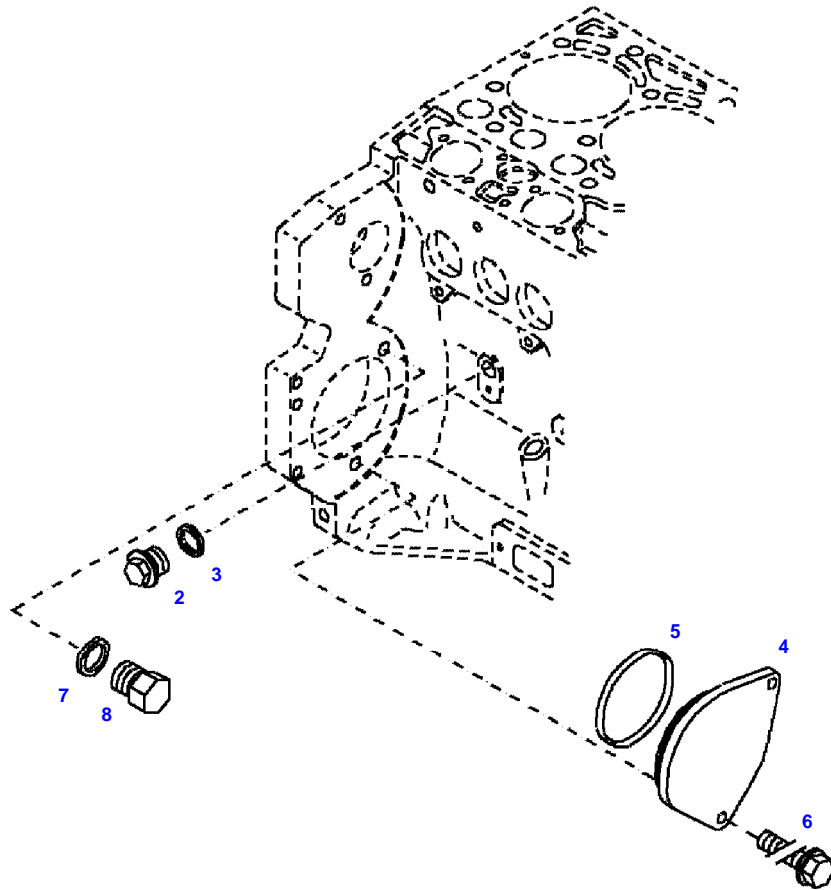
Item	Part Number	Qty	Description Comments
			BLANKING PARTS ENGINE NUMBER <-- 10062161
1	72451322	1	COVER



051551



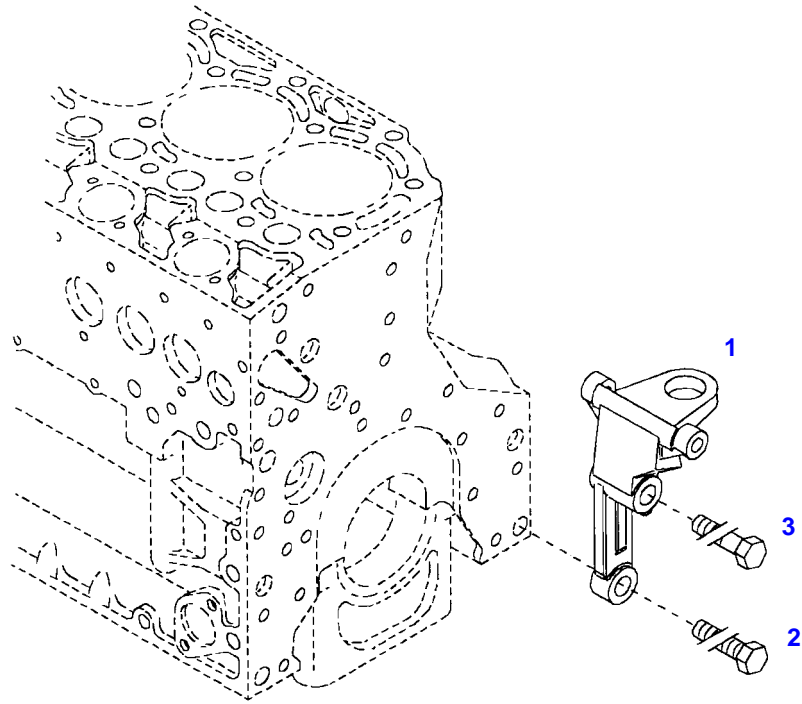
Item	Part Number	Qty	Description Comments	Technical Specification
			<b>BLANKING PARTS</b> <b>ENGINE NUMBER</b> --> 856779	
2	72315799	1	PLUG NOT NEEDED WITH AIR BRAKE	DIN 7604 AM14X1,5-A3L
3	72315094	1	SEALING WASHER NOT NEEDED WITH AIR BRAKE	DIN 7603 A14X18-CU
4	72431648	1	COVER NOT NEEDED WITH AIR BRAKE	
5	72416472	1	SEAL 96X4MM NOT NEEDED WITH AIR BRAKE	
6	72621034	1	HEXAGONAL HEAD BOLT NOT NEEDED WITH AIR BRAKE	M10X20
7	72315088	1	SEALING WASHER	DIN 7603 A10X13,5-CU
8	72323677	1	PLUG	



051552



Item	Part Number	Qty	Description Comments	Technical Specification
			<b>BLANKING PARTS</b> <b>ENGINE NUMBER</b> <b>&lt;-- 856780</b>	
2	72315799	1	PLUG NOT NEEDED WITH AIR BRAKE	DIN 7604 AM14X1,5-A3L
3	72315094	1	SEALING WASHER NOT NEEDED WITH AIR BRAKE	DIN 7603 A14X18-CU
4	72431648	1	COVER NOT NEEDED WITH AIR BRAKE	
5	72416472	1	SEAL 96X4MM NOT NEEDED WITH AIR BRAKE	
6	72621034	2	HEXAGONAL HEAD BOLT NOT NEEDED WITH AIR BRAKE	M10X20
7	72315088	1	SEALING WASHER	DIN 7603 A10X13,5-CU
8	72323677	1	PLUG	



040029

---

Fendt

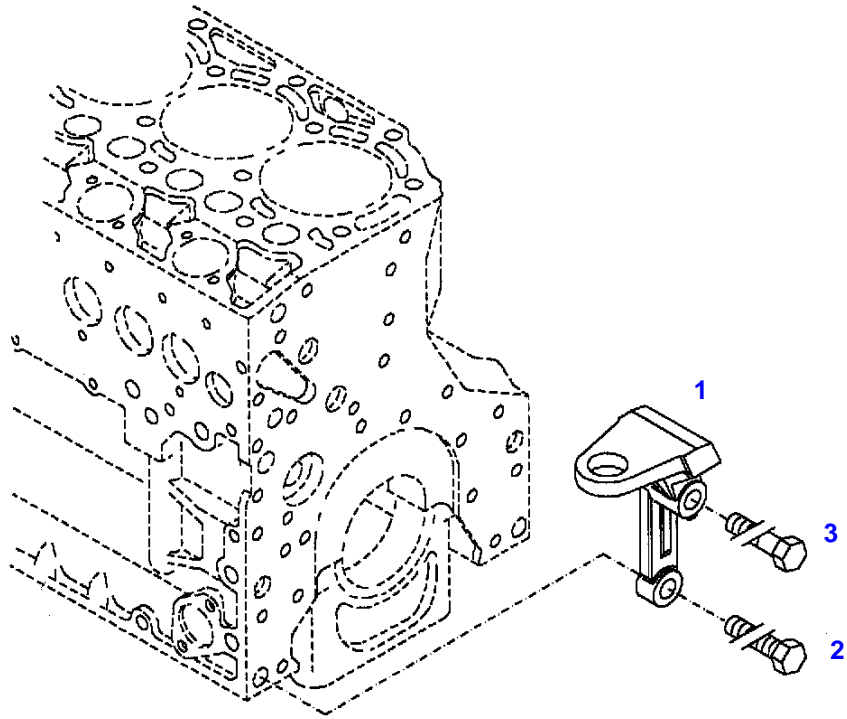
FENDT 714 (714/00201-00300 & 08001-99999)

F714001

ENGINE MOUNTINGS

Page01-0011

Item	Part Number	Qty	Description Comments	Technical Specification
			LEFT	
1	72428791	1	ENGINE SUSPENSION	
2	72418408	1	HEXAGONAL HEAD BOLT	DIN 933 M16X40 GWA-10.9
3	72374294	1	HEXAGONAL HEAD BOLT	DIN 931-M16X85 GWA-10.9



040030



---

Fendt

FENDT 714 (714/00201-00300 & 08001-99999)

F714001

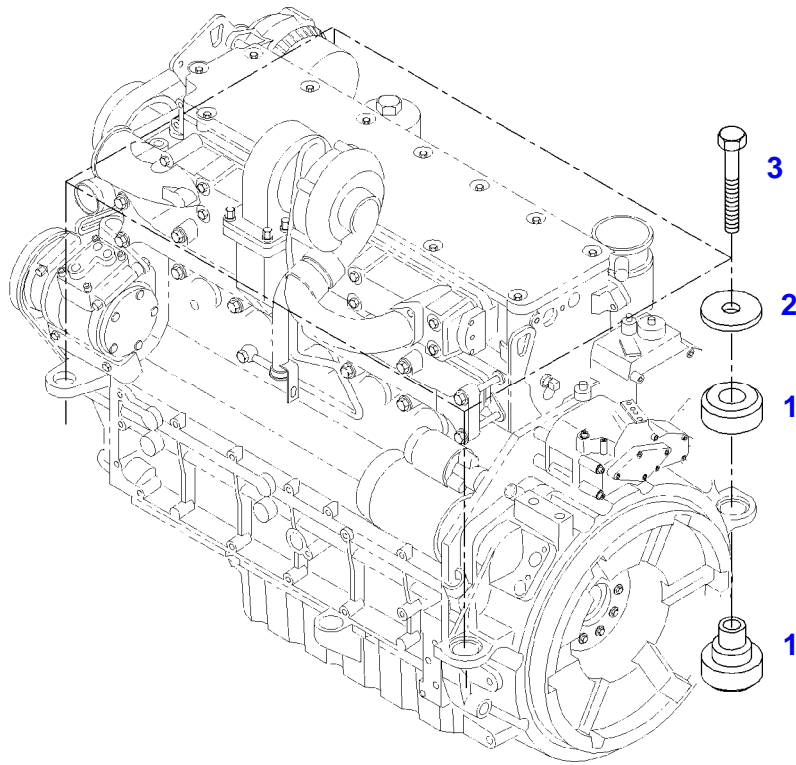
ENGINE MOUNTINGS

Page01-0012

---

Item	Part Number	Qty	Description Comments	Technical Specification
			<b>RIGHT</b>	
1	72423955	1	ENGINE SUSPENSION	
2	72418408	1	HEXAGONAL HEAD BOLT	DIN 933 M16X40 GWA-10.9
3	72374294	1	HEXAGONAL HEAD BOLT	DIN 931-M16X85 GWA-10.9

FENDT 714 (714/00201-00300 & 08001-99999)  
35107



035107

---

Fendt

FENDT 714 (714/00201-00300 & 08001-99999)

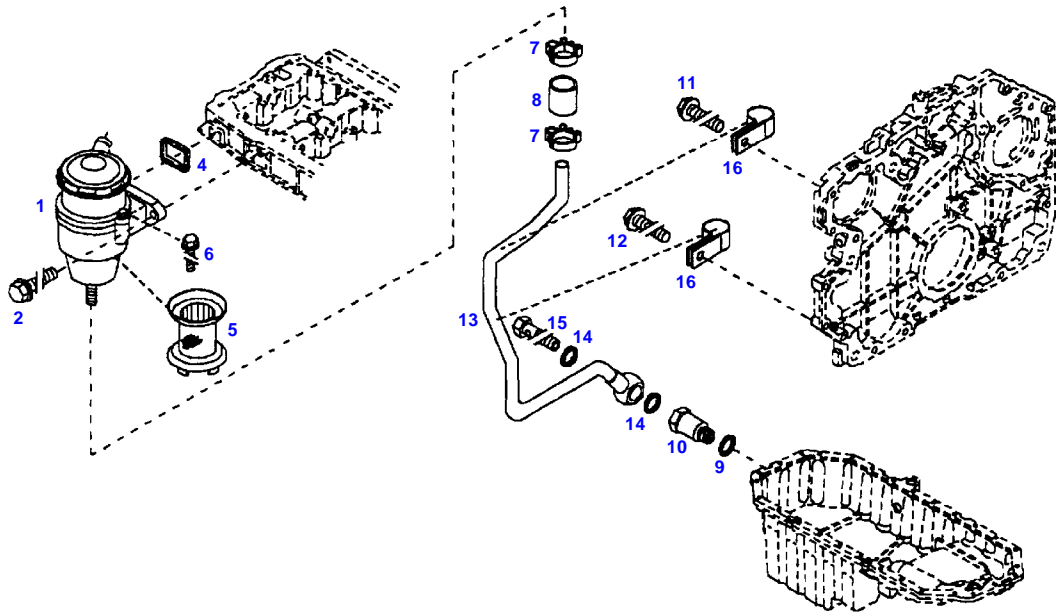
F714001

ENGINE BEARINGS

Page01-0013

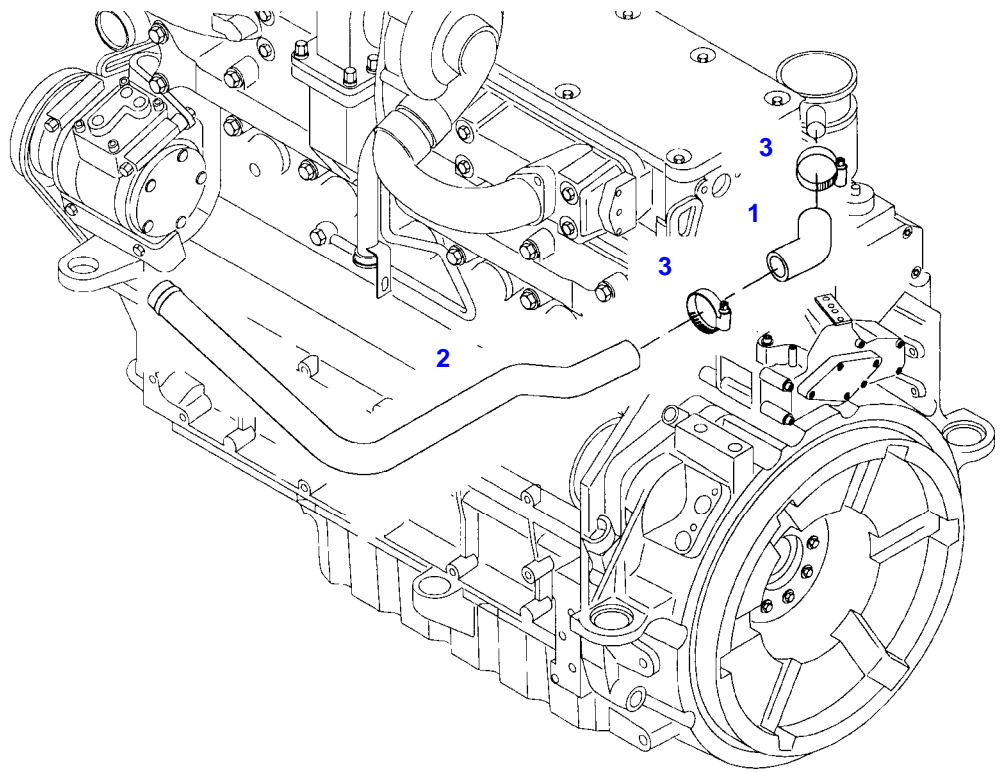
---

Item	Part Number	Qty	Description Comments	Technical Specification
1	72423991	4	ENGINE MOUNT	
2	72318110	4	DISC	
3	72315563	4	HEXAGONAL HEAD BOLT	DIN 931 M12X80-8.8A3L



12566

Item	Part Number	Qty	Description Comments	Technical Specification
1	72426699	1	BREATHER ><4-6 ENG.NO. --> 1001780	
	72434609	1	BREATHER WITHOUT SERVICEABLE FILTER ><4,6 <-- 1001781	
2	72325449	2	HEXAGONAL HEAD BOLT M8X25	M8X25
4	72416500	1	MOLDED SEAL	
5	72426653	1	FILTER ELEMENT ENG.NO. --> 1001780	
			NOT AVAILABLE IN SINGLE PARTS ENG.NO. <-- 1001781	
6	72425768	2	HEXAGONAL HEAD BOLT M5X20	
7	72325537	2	HOSE CLIP	
8	72425769	1	THIMBLE	
9	72315101	1	SEALING WASHER	DIN 7603 A22X27-CU
10	72425770	1	LOCK VALVE	
11	72325453	1	HEXAGONAL HEAD BOLT M8X50	
12	72325457	1	HEXAGONAL HEAD BOLT M8X40	
13	72425771	1	BREATHER LINE ><14-16	
14	72416578	2	SEALING WASHER	
15	72323517	1	BANJO BOLT	
16	72425772	2	PIPE CLAMP	



6660E0

---

Fendt

FENDT 714 (714/00201-00300 & 08001-99999)

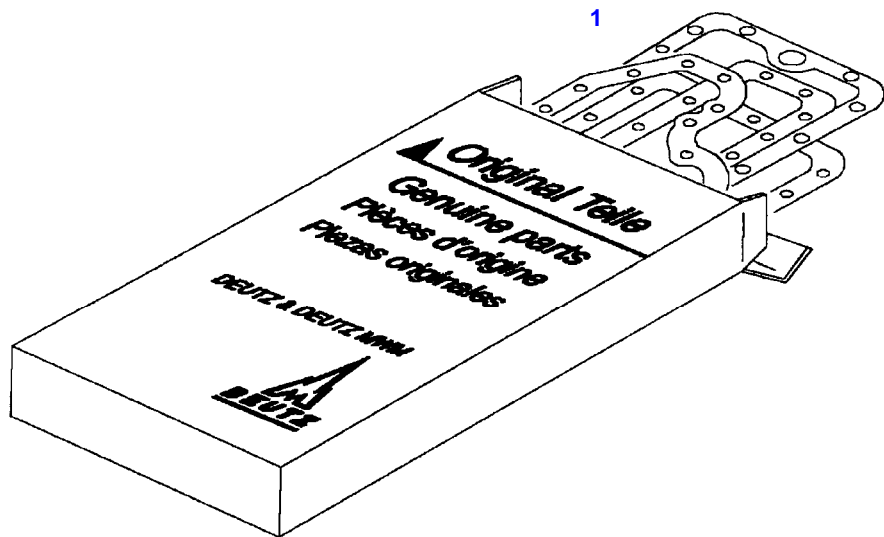
F714001

CRANKCASE BREATHER

Page01-0015

---

Item	Part Number	Qty	Description Comments
			PIPE
1	72318111	1	RUBBER ARCH
2	72318112	1	PIPE
3	72311167	2	HOSE CLIP



030100



---

Fendt

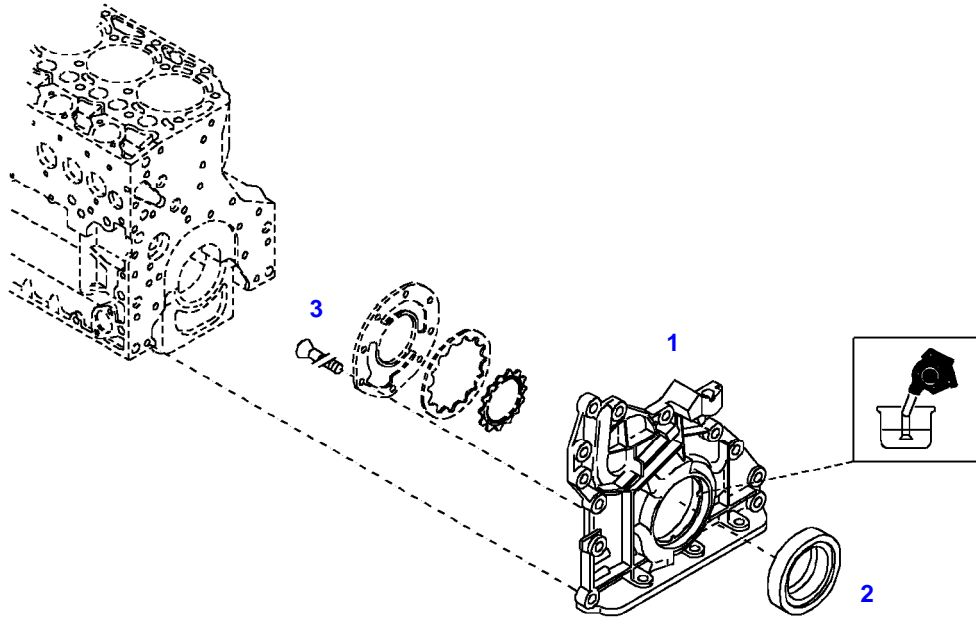
FENDT 714 (714/00201-00300 & 08001-99999)

F714001

SET OF GASKETS

Page01-0016

Item	Part Number	Qty	Description Comments
			<b>ENGINE</b>
1	72487673	1	SEAL KIT WITHOUT CYLINDER HEAD GASKET



040475

Thank you so much for reading.  
Please click the “Buy Now!”  
button below to download the  
complete manual.



After you pay.

You can download the most  
perfect and complete manual in  
the world immediately.

Our support email:

[ebooklibonline@outlook.com](mailto:ebooklibonline@outlook.com)