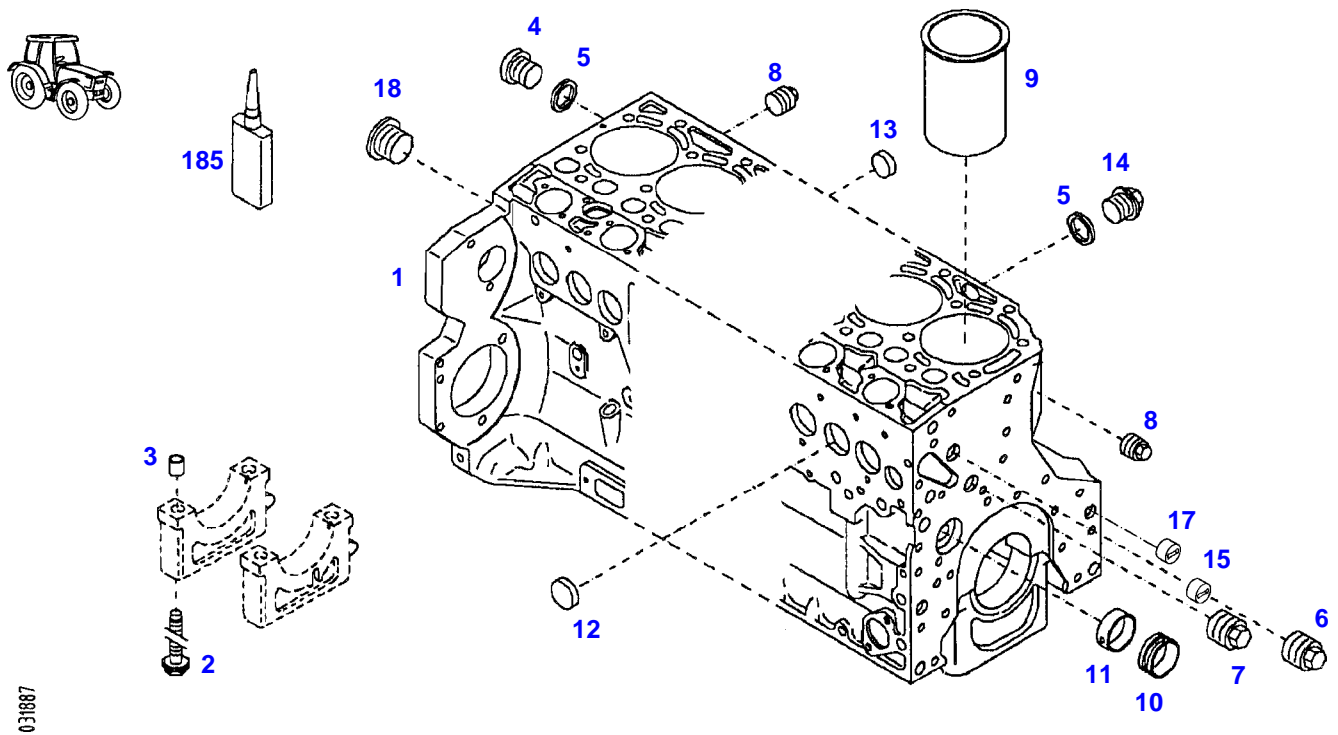


TABLE OF CONTENT

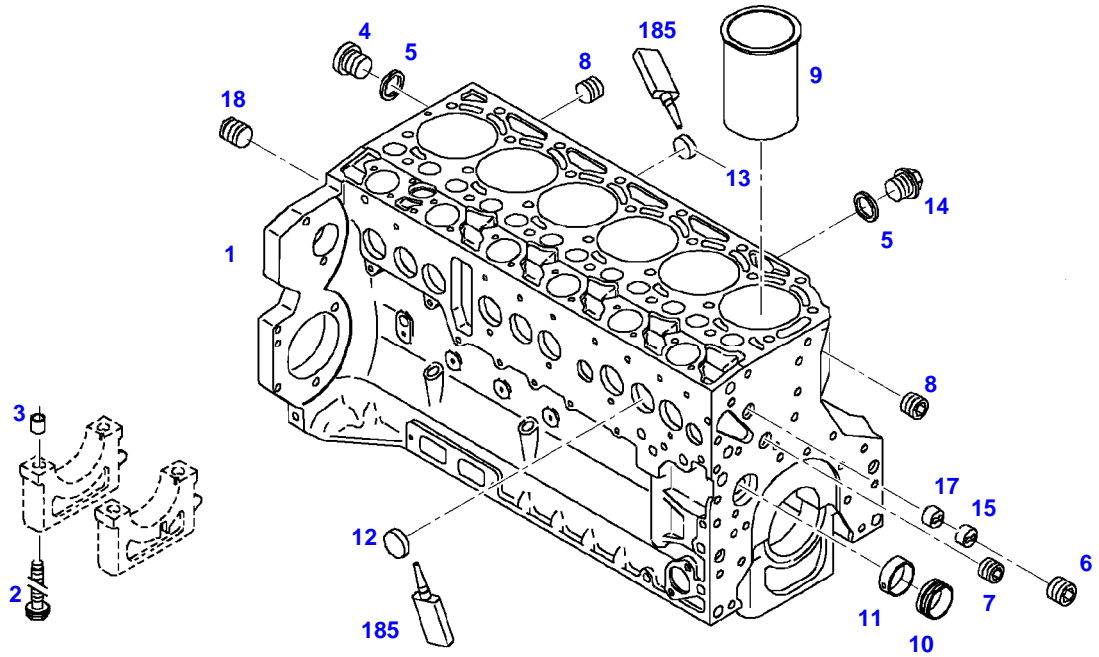
Page Number	Page Title	Page Reference
01-000-TOC	ENGINE, FUEL AND EXHAUST SYSTEM	01-000-TOC
02-000-TOC	AXLES	02-000-TOC
03-000-TOC	STEERING SYSTEM	03-000-TOC
04-000-TOC	DRIVE TRAIN SYSTEM	04-000-TOC
05-000-TOC	COMPRESSED AIR SYSTEM	05-000-TOC
06-000-TOC	HYDRAULIC SYSTEM	06-000-TOC
07-000-TOC	ELECTRICAL SYSTEM	07-000-TOC
08-000-TOC	CAB	08-000-TOC
09-000-TOC	AIR CONDITIONING AND HEATING SYSTEM	09-000-TOC
10-000-TOC	CHASSIS	10-000-TOC
11-000-TOC	WHEELS	11-000-TOC
12-000-TOC	IMPLEMENT LIFT SYSTEM FRONT	12-000-TOC
13-000-TOC	IMPLEMENT LIFT SYSTEM REAR	13-000-TOC
14-000-TOC	FRONT/REAR LOADERS	14-000-TOC
15-000-TOC	ACCESSORIES	15-000-TOC

FENDT 818 (718/00101-99999)
31887



Item	Part Number	Qty	Description Comments	Technical Specification
			ENGINE NUMBER --> 773573	
	72420519	1	ENGINE ENGINE NEW FLYWHEEL MUST BE CHANGED IF A NEW ENGINE IS SUPPLIED <-- Z718.202.010.010 ENGINE EXCHANGE	BF06M2013C
1	72604532	1	REMANUFACTURED SHORT BLOCK ENGINE	
	72423957	1	CRANKCASE ><2-15,17,18 <-- F718.202.210.210	
2	72416467	14	HEXAGONAL HEAD BOLT	
3	72344342	14	ADAPTER BUSH	
4	72315438	1	PLUG SCREW	DIN 908 M14X1,5-ST
5	72315095	3	SEALING WASHER	DIN 7603 A14X20-CU
6	72325319	1	PLUG M30X1,5	
7	72325321	1	PLUG M22X1,5	
8	72325322	2	PLUG M14X1,5	
9	72416468	6	CYLINDER LINER	
10	72416469	6	BEARING BUSHING	
11	72416470	1	BEARING BUSHING	
12	72325325	9	CORE HOLE PLUG	
13	72325326	6	CORE HOLE PLUG	
14	72315799	2	PLUG	DIN 7604 AM14X1,5-A3L
15	72325327	1	GUIDE SLEEVE	
17	72415819	1	GUIDE SLEEVE	
18	72416465	1	PLUG M22X1,5	
185	72325403	1	SAFE.LOCK AGENT	

FENDT 818 (718/00101-99999)
35077



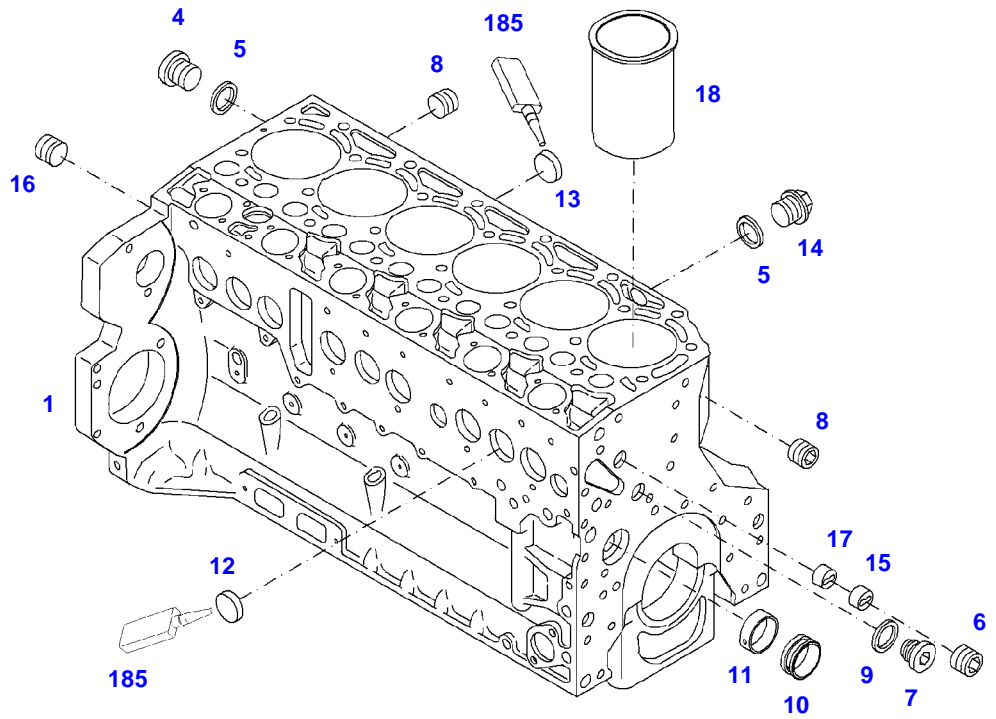
035077

Item	Part Number	Qty	Description Comments	Technical Specification
			ENGINE NUMBER <-- 773574 --> 1060453 <-- 1060474 --> 1062515	
	72420519	1	ENGINE ENGINE NEW FLYWHEEL MUST BE CHANGED IF A NEW ENGINE IS SUPPLIED ENG.NO. --> 936850 <-- Z718.202.010.010	BF06M2013C
	72604532	1	ENGINE EXCHANGE REMANUFACTURED SHORT BLOCK ENGINE ENG.NO. --> 936850	
	72434313	1	ENGINE ENGINE NEW FLYWHEEL MUST BE CHANGED IF A NEW ENGINE IS SUPPLIED ENG.NO. <-- 936851 <-- Z718.202.010.011	BF06M2013C
	72604532	1	ENGINE EXCHANGE REMANUFACTURED SHORT BLOCK ENGINE ENG.NO. <-- 936851	
1	72429392	1	CRANKCASE ><2-15,17,18 <-- F718.202.210.210	
2	72416467	14	HEXAGONAL HEAD BOLT	
3	72344342	14	ADAPTER BUSH	
4	72315438	1	PLUG SCREW	DIN 908 M14X1,5-ST
5	72315095	3	SEALING WASHER	DIN 7603 A14X20-CU
6	72325319	1	PLUG M30X1,5	
7	72325321	1	PLUG N22X1,5	
8	72429347	2	SCREW M14X1,5	M14X1,5
9	72416468	6	CYLINDER LINER	
10	72416469	6	BEARING BUSHING	
11	72416470	1	BEARING BUSHING	
12	72325325	9	CORE HOLE PLUG	
13	72325326	6	CORE HOLE PLUG	
14	72315799	2	PLUG	DIN 7604 AM14X1,5-A3L
15	72325327	1	GUIDE SLEEVE	
17	72415819	1	GUIDE SLEEVE	
18	72431135	1	LOCKING PLUG M22X1,5	
185	72381391	1	THREADLOCKER	LOCTITE 243 10ML

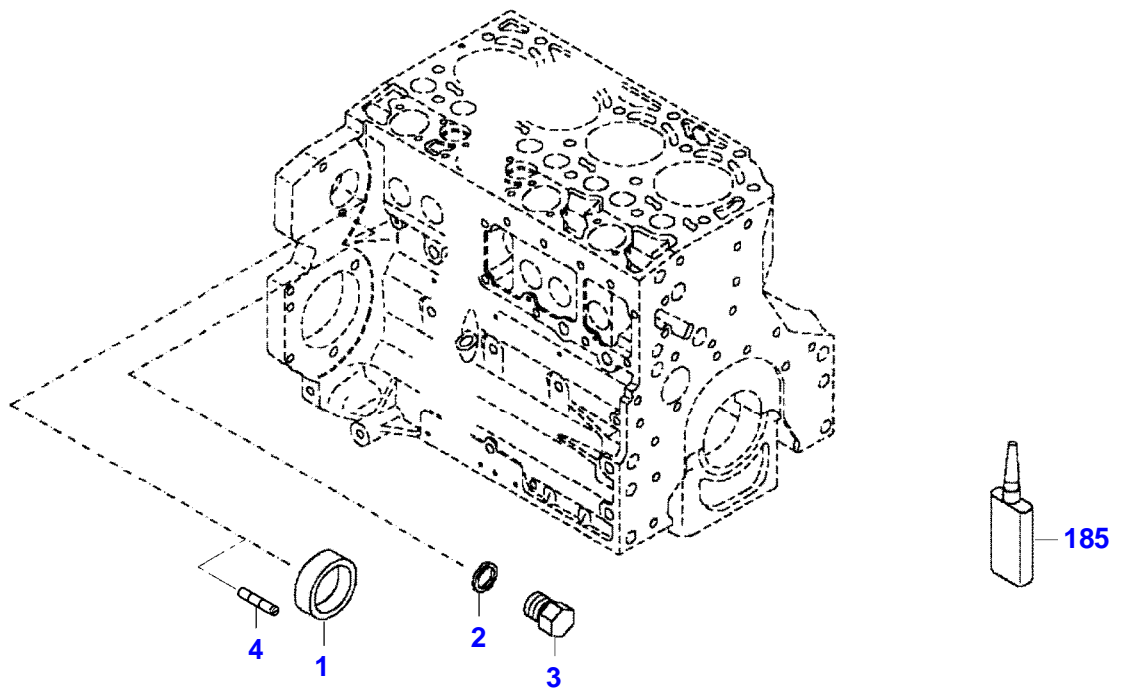
FENDT 818 (718/00101-99999)
41012



041012



Item	Part Number	Qty	Description Comments	Technical Specification
			ENGINE NUMBER <-- 1060454 --> 1060473 <-- 1062516	
	72434313	1	ENGINE ENGINE NEW FLYWHEEL MUST BE CHANGED IF A NEW ENGINE IS SUPPLIED --> 718/6715 <-- Z718.202.010.011 ENGINE EXCHANGE	BF06M2013C
	72604532	1	REMANUFACTURED SHORT BLOCK ENGINE --> 718/6715	
	72451220	1	ENGINE ENGINE NEW <-- 718/6716 <-- Z718.202.010.012 ENGINE EXCHANGE	BF06M2013C
	72604532	1	REMANUFACTURED SHORT BLOCK ENGINE <-- 718/6716	
1	72497864	1	CRANKCASE ><2-18 SERIES EXECUTION NO LONGER AVAILABLE	
	72616648	1	CRANKCASE SUPERSESSION	
2	72416467	14	HEXAGONAL HEAD BOLT	
3	72344342	14	ADAPTER BUSH	
4	72315438	1	PLUG SCREW	DIN 908 M14X1,5-ST
5	72315095	3	SEALING WASHER	DIN 7603 A14X20-CU
6	72325319	1	PLUG M30X1,5	
7	72325321	1	PLUG M22X1,5 ENG.NO. --> 10540217	
	72455559	1	PLUG SCREW ENG.NO. <-- 10540218	
8	72429347	2	SCREW M14X1,5	M14X1,5
9			NOT USED ENG.NO. --> 10540217	
	72455567	1	SEALING WASHER ENG.NO. <-- 10540218	DIN 7603 D22X27-CU
10	72416469	6	BEARING BUSHING	
11	72416470	1	BEARING BUSHING	
12	72325325	9	CORE HOLE PLUG	
13	72325326	6	CORE HOLE PLUG	
14	72315799	2	PLUG	DIN 7604 AM14X1,5-A3L
15	72325327	1	GUIDE SLEEVE	
16	72431135	1	LOCKING PLUG M22X1,5	
17	72415819	1	GUIDE SLEEVE	
18	72451321	6	CYLINDER LINER	
185	72381391	1	THREADLOCKER	LOCTITE 243 10ML



Fendt

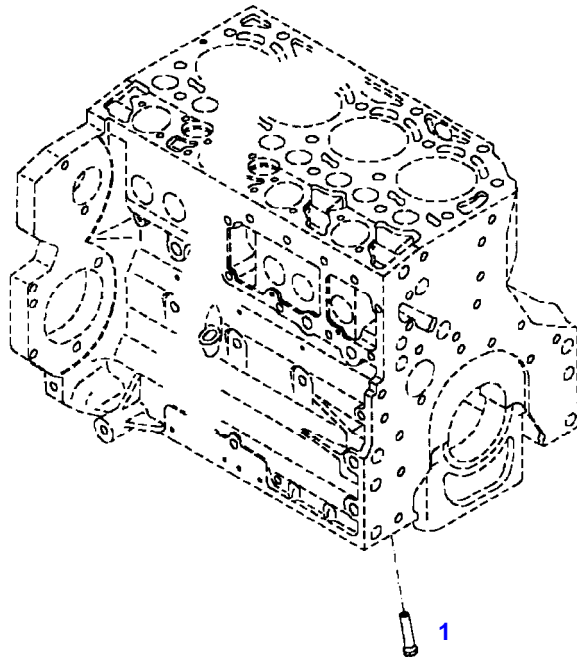
FENDT 818 (718/00101-99999)

F718000

CRANKCASE

Page01-0004

Item	Part Number	Qty	Description Comments	Technical Specification
BLANKING PARTS				
1	72627515	1	CORE HOLE PLUG	
2	72315088	2	SEALING WASHER	DIN 7603 A10X13,5-CU
3	72323677	2	PLUG	
4	72631860	2	SLUG	
185	72325403	1	SAFE.LOCK AGENT	



030004

Fendt

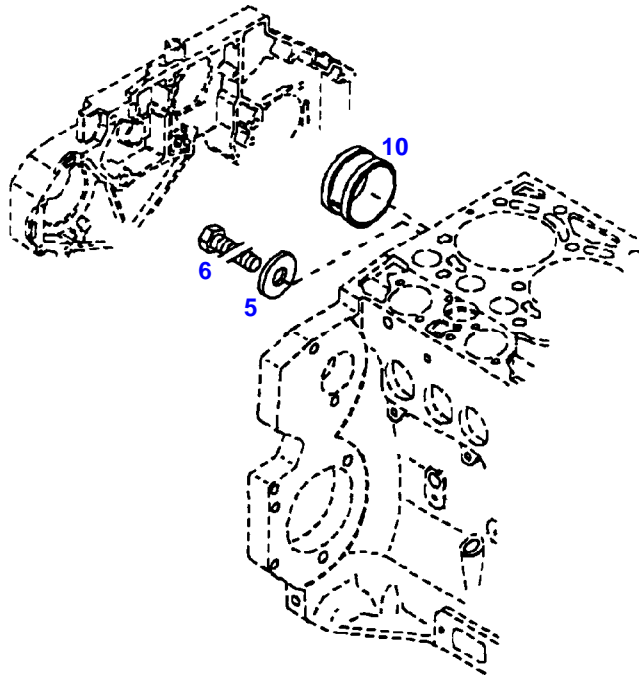
FENDT 818 (718/00101-99999)

F718000

CRANKCASE

Page01-0005

Item	Part Number	Qty	Description Comments
			PISTON COOL.NOZZLE
1	72415140	6	PISTON COOLING JET



12574

Fendt

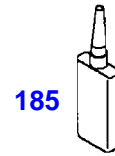
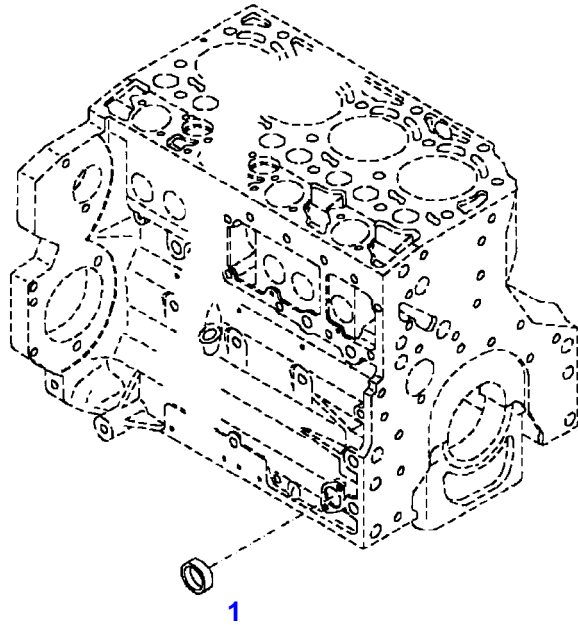
FENDT 818 (718/00101-99999)

F718000

CRANKCASE

Page01-0006

Item	Part Number	Qty	Description Comments
			BLANKING PARTS
5	72415828	1	DISC
6	72426697	1	HEXAGONAL HEAD BOLT
10	72426698	1	BUSH



040194

Fendt

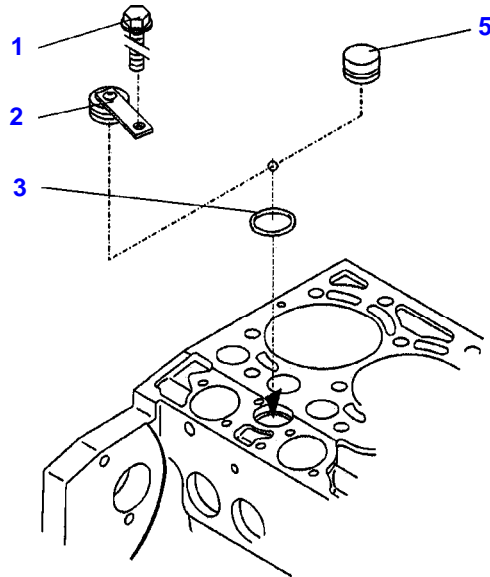
FENDT 818 (718/00101-99999)

F718000

CRANKCASE

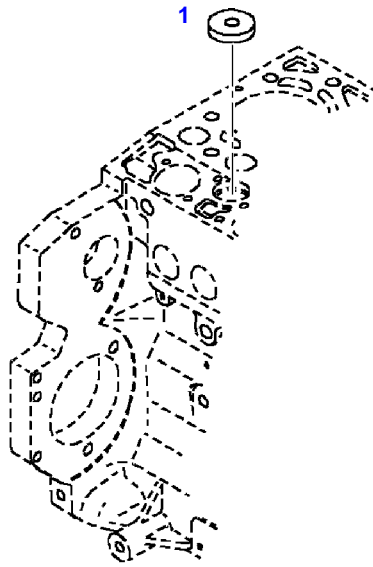
Page01-0007

Item	Part Number	Qty	Description Comments
			LOCKING PLUG
1	72325326	1	CORE HOLE PLUG
185	72325403	1	SAFE.LOCK AGENT



040896

Item	Part Number	Qty	Description Comments
			BLANKING PARTS ENGINE NUMBER --> 10061017
1	72433726	1	WASHER HEAD BOLT
2	72433725	1	LOCKING PART ><3
3	72325392	1	SEAL 26X3MM
5	72426700	1	LOCKING PLUG <-- F718.202.210.110 1X <>
	72433726	1	WASHER HEAD BOLT



035132

Fendt

FENDT 818 (718/00101-99999)

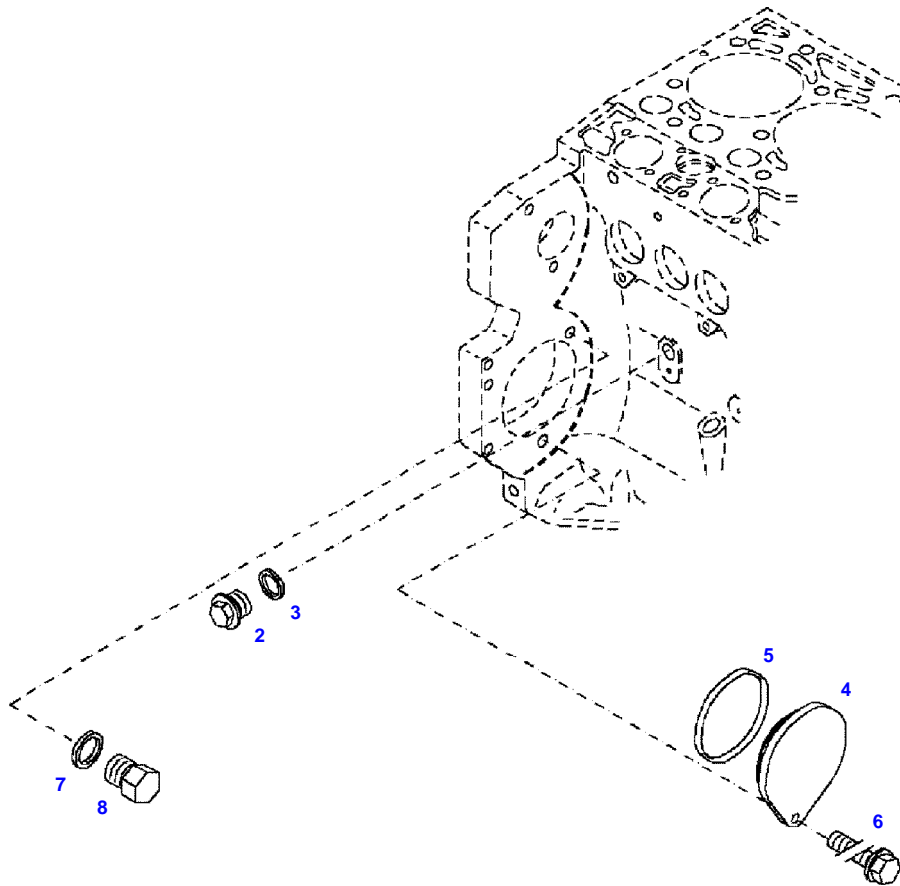
F718000

CRANKCASE

Page01-0009

Item	Part Number	Qty	Description Comments
			BLANKING PARTS ENGINE NUMBER <-- 10061018
1	72451322	1	COVER

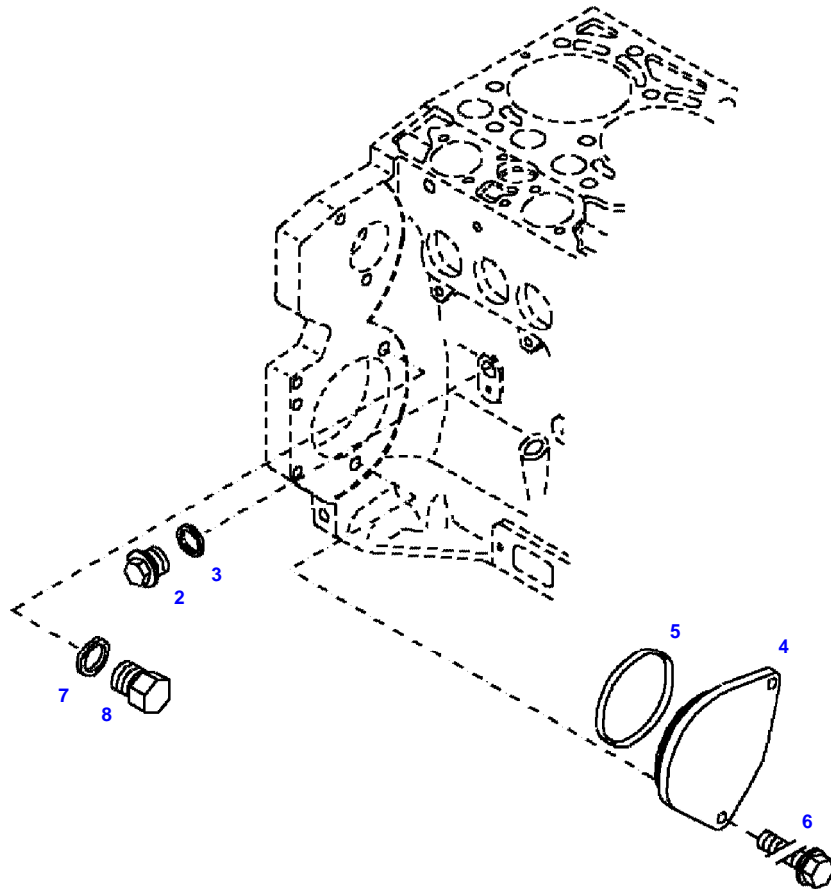
FENDT 818 (718/00101-99999)
F51551



051551



Item	Part Number	Qty	Description Comments	Technical Specification
			BLANKING PARTS ENGINE NUMBER --> 829558	
2	72315799	1	PLUG NOT NEEDED WITH AIR BRAKE	DIN 7604 AM14X1,5-A3L
3	72315094	1	SEALING WASHER NOT NEEDED WITH AIR BRAKE	DIN 7603 A14X18-CU
4	72431648	1	COVER NOT NEEDED WITH AIR BRAKE	
5	72416472	1	SEAL 96X4MM NOT NEEDED WITH AIR BRAKE	
6	72621034	1	HEXAGONAL HEAD BOLT NOT NEEDED WITH AIR BRAKE	M10X20
7	72315088	1	SEALING WASHER	DIN 7603 A10X13,5-CU
8	72323677	1	PLUG	

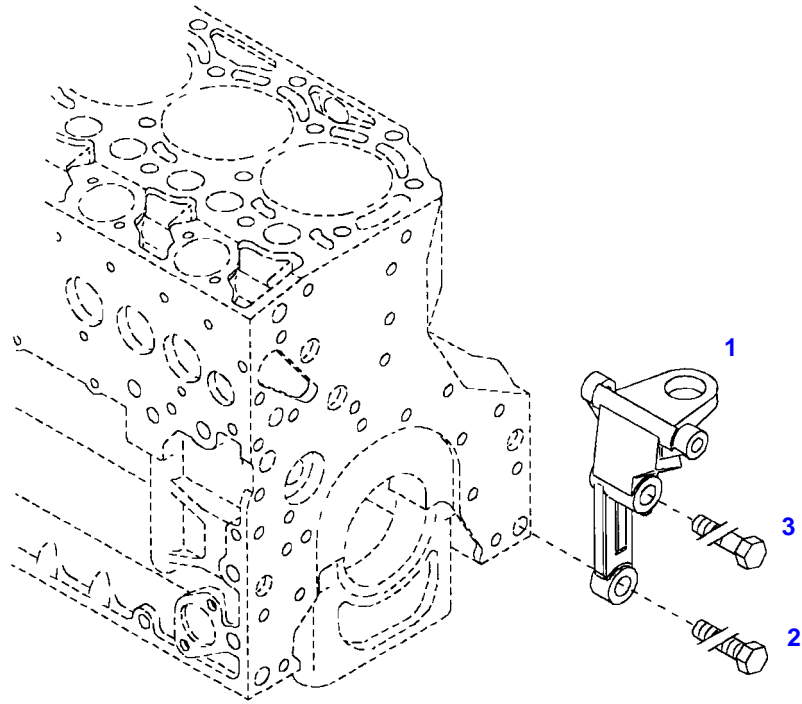


051552



Item	Part Number	Qty	Description Comments	Technical Specification
			BLANKING PARTS ENGINE NUMBER <-- 829559	
2	72315799	1	PLUG NOT NEEDED WITH AIR BRAKE	DIN 7604 AM14X1,5-A3L
3	72315094	1	SEALING WASHER NOT NEEDED WITH AIR BRAKE	DIN 7603 A14X18-CU
4	72431648	1	COVER NOT NEEDED WITH AIR BRAKE	
5	72416472	1	SEAL 96X4MM NOT NEEDED WITH AIR BRAKE	
6	72621034	2	HEXAGONAL HEAD BOLT NOT NEEDED WITH AIR BRAKE	M10X20
7	72315088	1	SEALING WASHER	DIN 7603 A10X13,5-CU
8	72323677	1	PLUG	

FENDT 818 (718/00101-99999)
40029



040029

Thank you so much for reading.
Please click the “Buy Now!”
button below to download the
complete manual.



After you pay.

You can download the most
perfect and complete manual in
the world immediately.

Our support email:

ebooklibonline@outlook.com