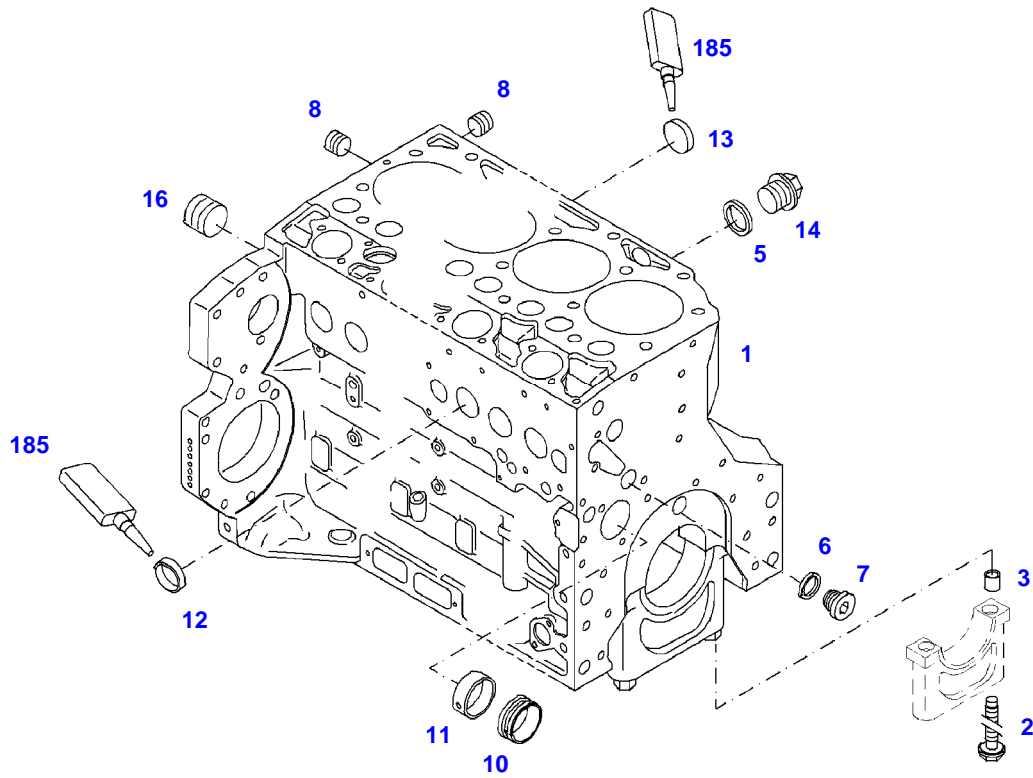


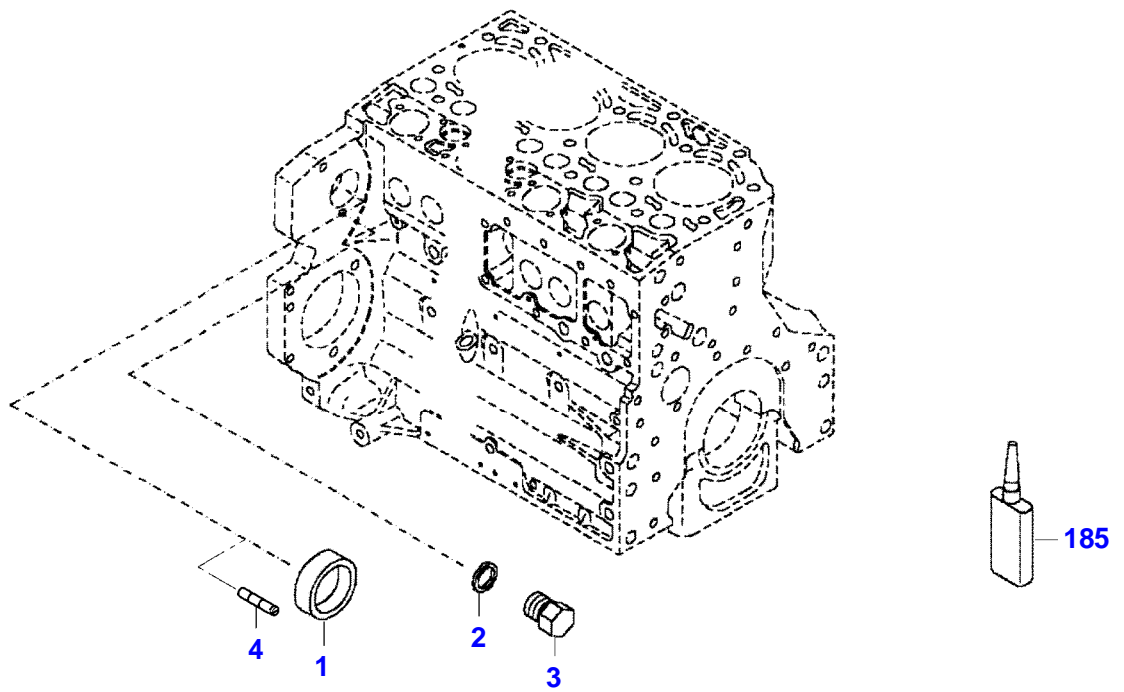
Page Number	Page Title	Page Reference
01-000-TOC	ENGINE, FUEL AND EXHAUST SYSTEM	01-000-TOC
02-000-TOC	AXLES	02-000-TOC
03-000-TOC	STEERING SYSTEM	03-000-TOC
04-000-TOC	DRIVE TRAIN SYSTEM	04-000-TOC
05-000-TOC	COMPRESSED AIR SYSTEM	05-000-TOC
06-000-TOC	HYDRAULIC SYSTEM	06-000-TOC
07-000-TOC	ELECTRICAL SYSTEM	07-000-TOC
08-000-TOC	CAB	08-000-TOC
09-000-TOC	AIR CONDITIONING AND HEATING SYSTEM	09-000-TOC
10-000-TOC	CHASSIS	10-000-TOC
11-000-TOC	WHEELS	11-000-TOC
12-000-TOC	IMPLEMENT LIFT SYSTEM FRONT	12-000-TOC
13-000-TOC	IMPLEMENT LIFT SYSTEM REAR	13-000-TOC
14-000-TOC	FRONT/REAR LOADERS	14-000-TOC
15-000-TOC	ACCESSORIES	15-000-TOC

FENDT 712NA (724/00101-99999)
41000



041000

Item	Part Number	Qty	Description Comments	Technical Specification
	72455373	1	ENGINE PLEASE ORDER WITH ENGINE NO. ONLY !	TCD2012L064V
	72604552	1	REMANUFACTURED SHORT BLOCK ENGINE	
1	72455558	1	CRANKCASE ><2-16 ENG.NO. --> 11150758	
	72495102	1	CRANKCASE ><2-16 ENG.NO. <-- 11150759	
2	72416467	14	HEXAGONAL HEAD BOLT	
3	72344342	14	ADAPTER BUSH	
5	72315095	2	SEALING WASHER	DIN 7603 A14X20-CU
6	72455567	1	SEALING WASHER	DIN 7603 D22X27-CU
7	72455559	1	PLUG SCREW	
8	72429347	2	SCREW M14X1,5	M14X1,5
10	72416469	6	BEARING BUSHING	
11	72416470	1	BEARING BUSHING	
12	72325325	9	CORE HOLE PLUG	
13	72325326	5	CORE HOLE PLUG	
14	72315799	2	PLUG	DIN 7604 AM14X1,5-A3L
16	72431135	1	LOCKING PLUG	
185	72381391	1	THREADLOCKER	LOCTITE 243 10ML



432327-M-1

Fendt

FENDT 712NA (724/00101-99999)

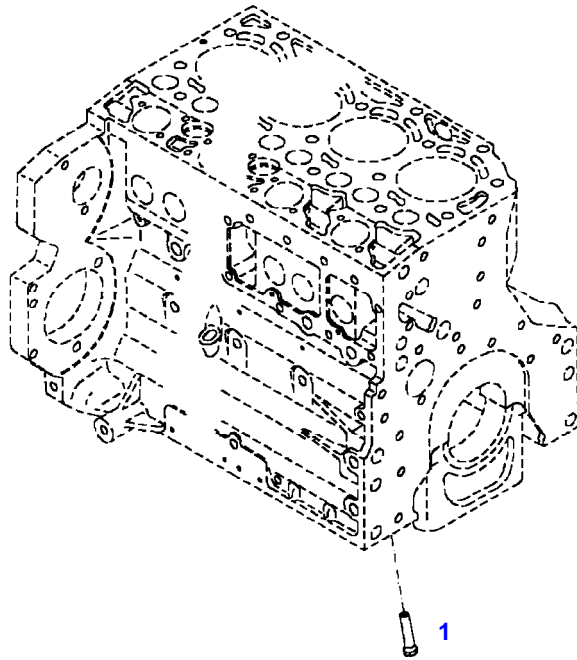
F724105

CRANKCASE

Page01-0002

Item	Part Number	Qty	Description Comments	Technical Specification
BLANKING PARTS				
1	72627515	1	CORE HOLE PLUG	
2	72315088	2	SEALING WASHER	DIN 7603 A10X13,5-CU
3	72323677	2	PLUG	
4	72631860	2	SLUG	
185	72325403	1	SAFE.LOCK AGENT	

FENDT 712NA (724/00101-99999)
30094



7600E0

Fendt

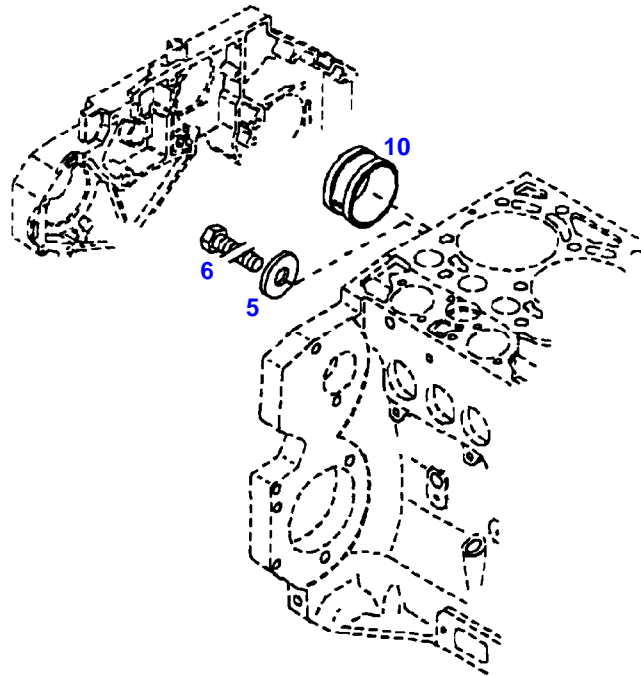
FENDT 712NA (724/00101-99999)

F724105

CRANKCASE

Page01-0003

Item	Part Number	Qty	Description Comments
			PISTON COOL.NOZZLE
1	72415140	6	PISTON COOLING JET



12574

Fendt

FENDT 712NA (724/00101-99999)

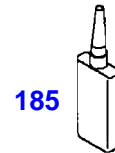
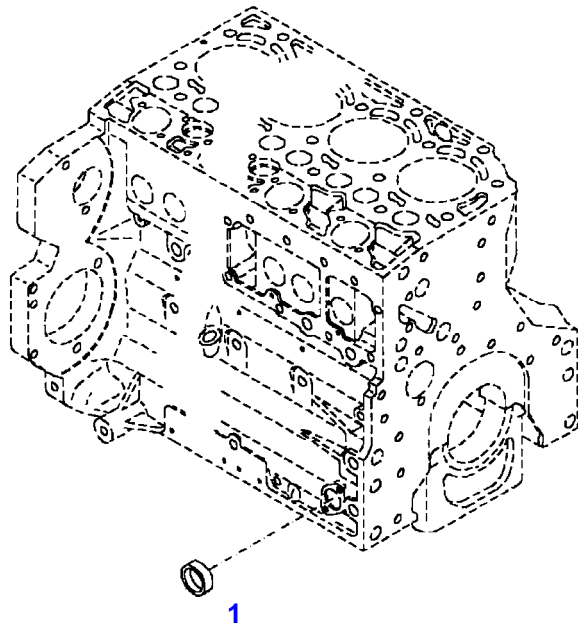
F724105

CRANKCASE

Page01-0004

Item	Part Number	Qty	Description Comments
BLANKING PARTS			
5	72415828	1	DISC
6	72426697	1	HEXAGONAL HEAD BOLT
10	72426698	1	BUSH

FENDT 712NA (724/00101-99999)
40194



040194

Fendt

FENDT 712NA (724/00101-99999)

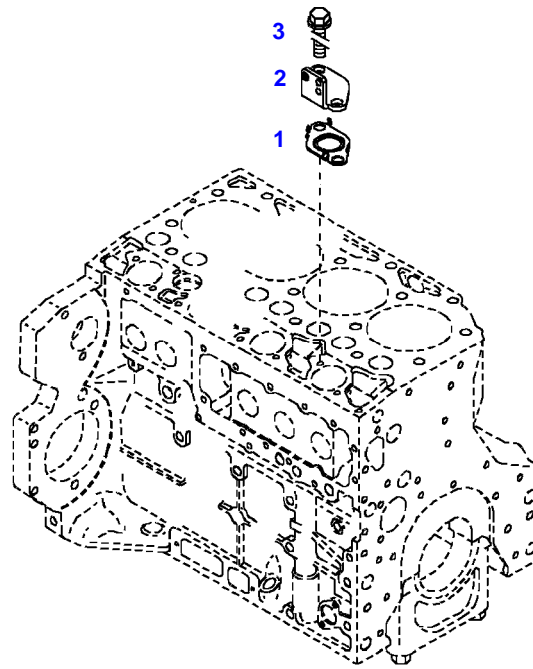
F724105

CRANKCASE

Page01-0005

Item	Part Number	Qty	Description Comments
			LOCKING PLUG
1	72325326	1	CORE HOLE PLUG
185	72325403	1	SAFE.LOCK AGENT

FENDT 712NA (724/00101-99999)
35315



035315

Fendt

FENDT 712NA (724/00101-99999)

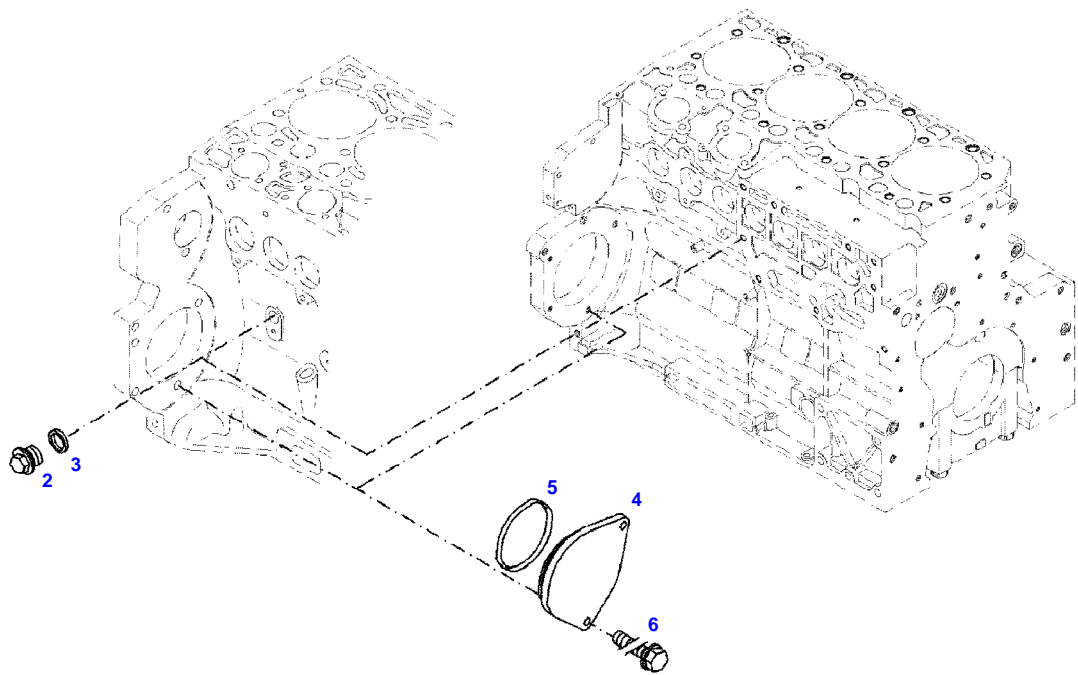
F724105

CRANKCASE

Page01-0006

Item	Part Number	Qty	Description Comments
BLANKING PARTS			
1	72490265	1	SEAL
2	72436408	1	COVER
3	72415878	2	HEXAGONAL HEAD BOLT M8X16

FENDT 712NA (724/00101-99999)
F51577

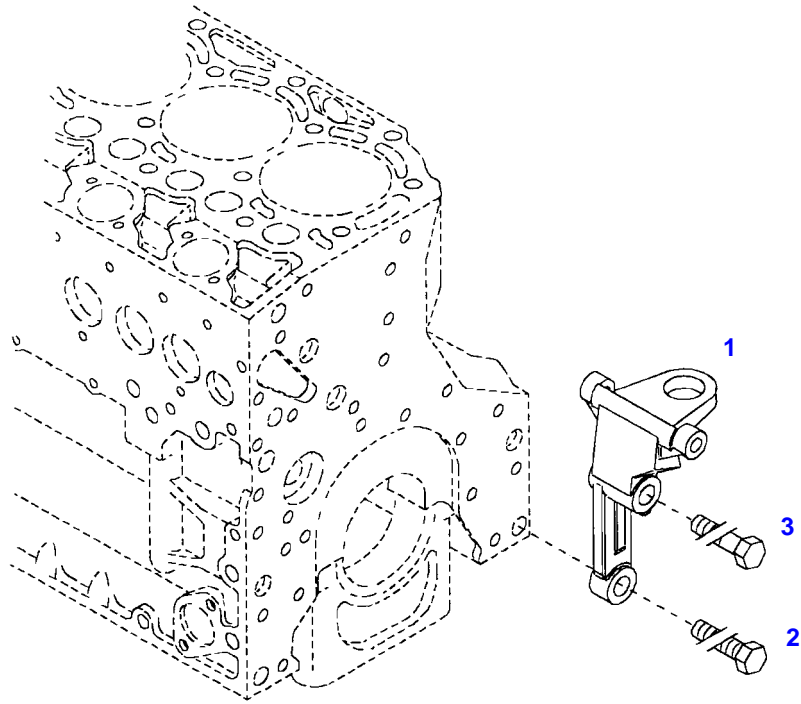


051577



Item	Part Number	Qty	Description Comments	Technical Specification
BLANKING PARTS				
2	72315799	1	PLUG NOT NEEDED WITH AIR BRAKE	DIN 7604 AM14X1,5-A3L
3	72315094	1	SEALING WASHER NOT NEEDED WITH AIR BRAKE	DIN 7603 A14X18-CU
4	72431648	1	COVER NOT NEEDED WITH AIR BRAKE	
5	72416472	1	SEAL 96X4MM NOT NEEDED WITH AIR BRAKE	
6	72438057	2	HEXAGONAL HEAD BOLT NOT NEEDED WITH AIR BRAKE	M10X20

FENDT 712NA (724/00101-99999)
40029



040029

Fendt

FENDT 712NA (724/00101-99999)

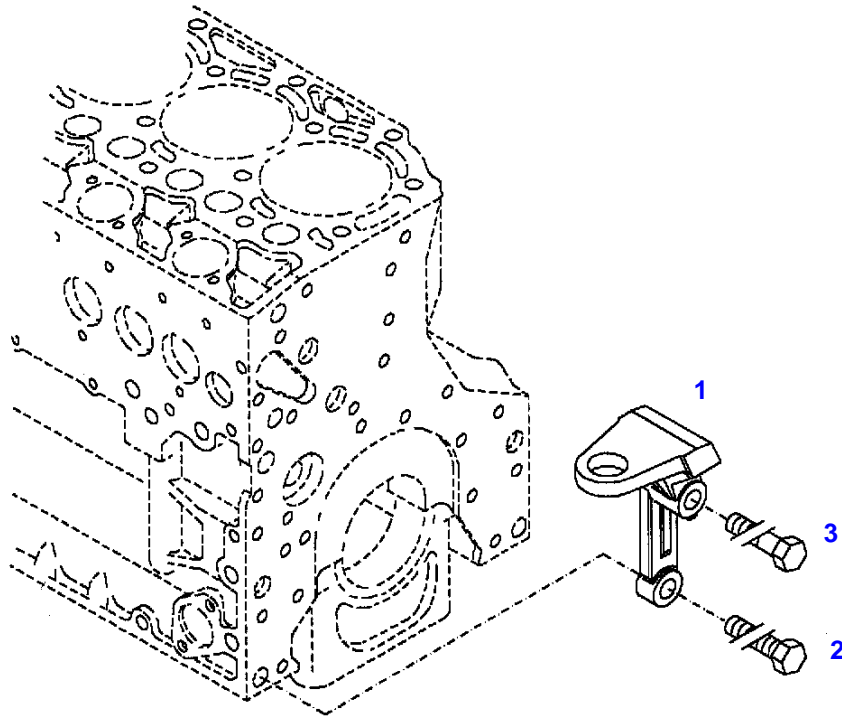
F724105

ENGINE MOUNTINGS

Page01-0008

Item	Part Number	Qty	Description Comments	Technical Specification
			LEFT	
1	72428791	1	ENGINE SUSPENSION	
2	72418408	1	HEXAGONAL HEAD BOLT	DIN 933 M16X40 GWA-10.9
3	72374294	1	HEXAGONAL HEAD BOLT	DIN 931-M16X85 GWA-10.9

FENDT 712NA (724/00101-99999)
40030



040030

Fendt

FENDT 712NA (724/00101-99999)

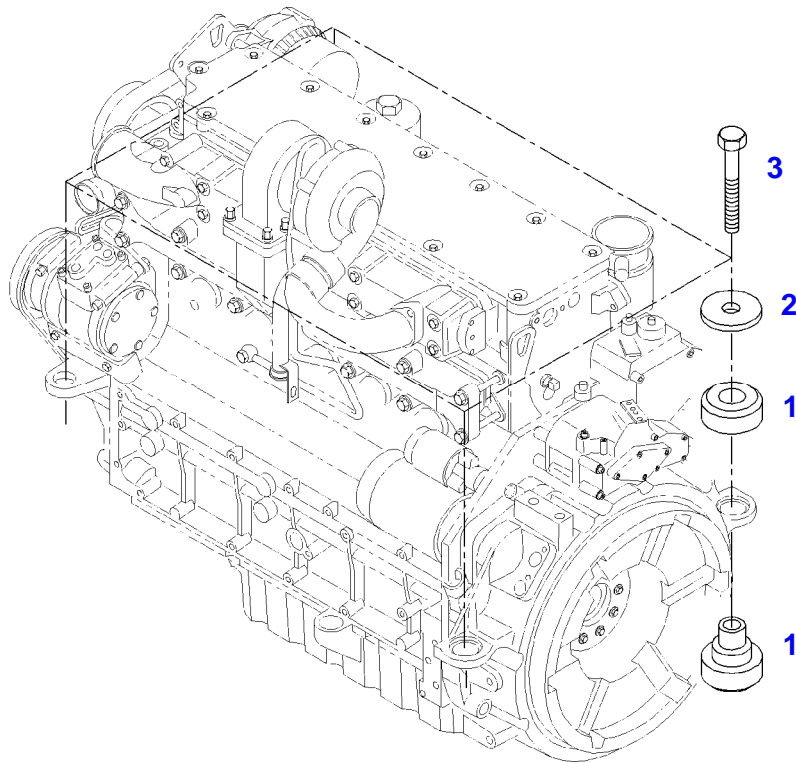
F724105

ENGINE MOUNTINGS

Page01-0009

Item	Part Number	Qty	Description Comments	Technical Specification
			RIGHT	
1	72423955	1	ENGINE SUSPENSION	
2	72418408	1	HEXAGONAL HEAD BOLT	DIN 933 M16X40 GWA-10.9
3	72374294	1	HEXAGONAL HEAD BOLT	DIN 931-M16X85 GWA-10.9

FENDT 712NA (724/00101-99999)
35107



035107

Fendt

FENDT 712NA (724/00101-99999)

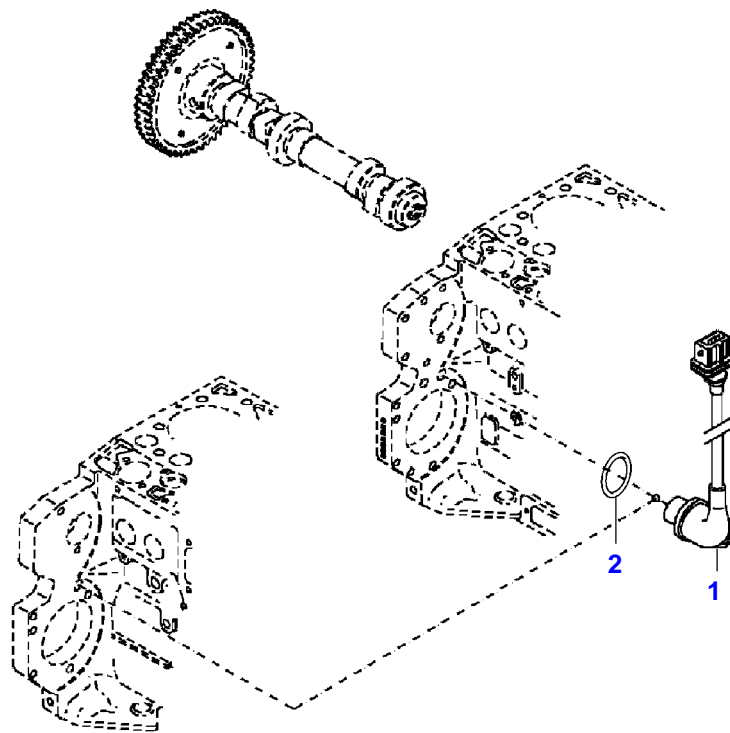
F724105

ENGINE BEARINGS

Page01-0010

Item	Part Number	Qty	Description Comments	Technical Specification
1	72423991	4	ENGINE MOUNT	
2	72318110	4	DISC	
3	72315563	4	HEXAGONAL HEAD BOLT	DIN 931 M12X80-8.8A3L

FENDT 712NA (724/00101-99999)
431755-M-1



431755-M-1

Fendt

FENDT 712NA (724/00101-99999)

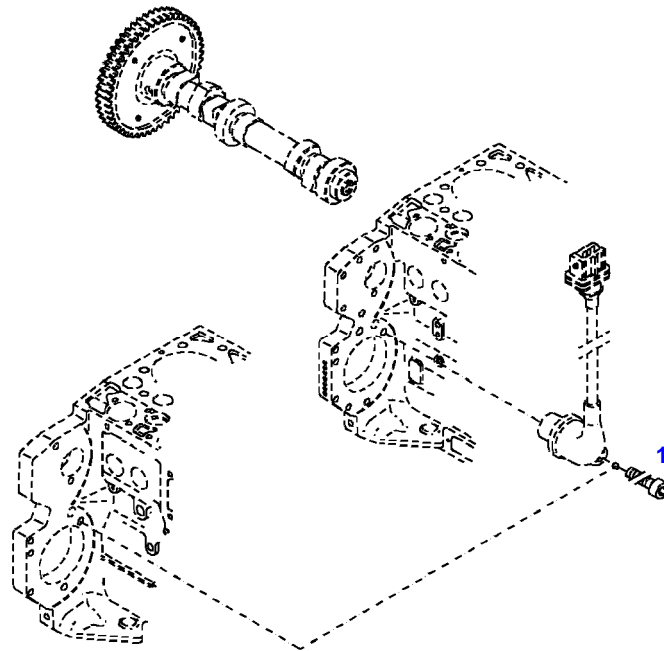
F724105

TRANSMITTER

Page01-0011

Item	Part Number	Qty	Description Comments
			ENGINE SPEED EDC
1	72626758	1	TRANSMITTER
2	72628348	1	O-RING

FENDT 712NA (724/00101-99999)
35317



035317

Fendt

FENDT 712NA (724/00101-99999)

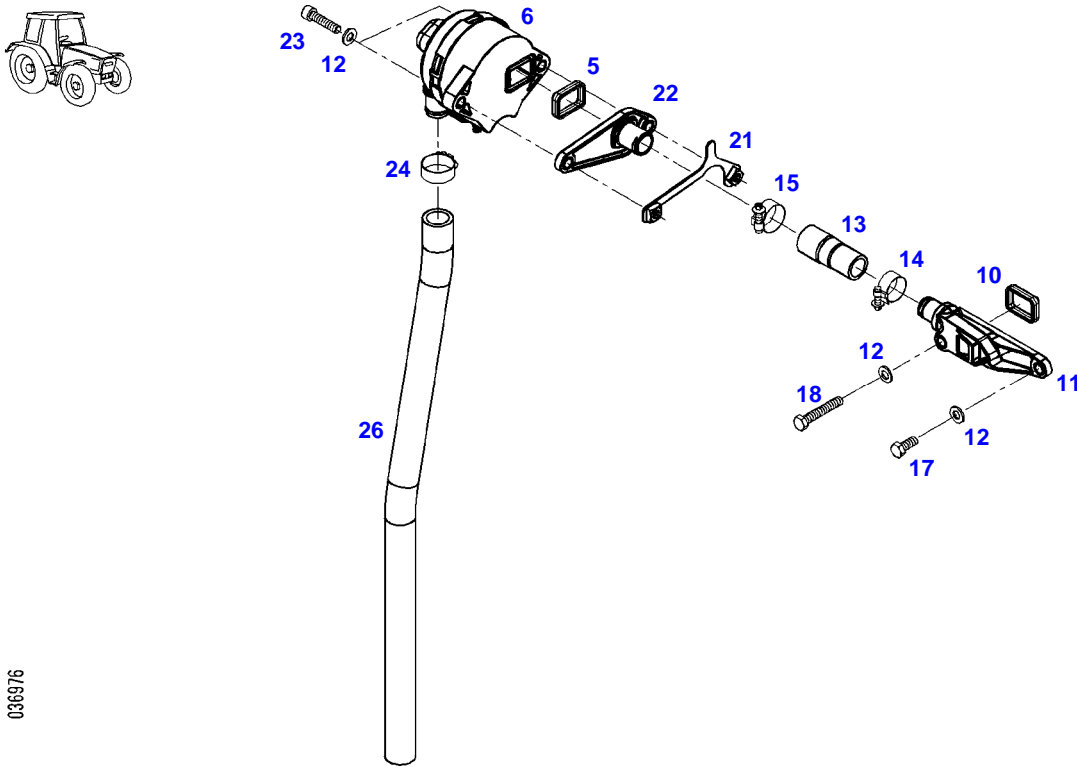
F724105

TRANSMITTER

Page01-0012

Item	Part Number	Qty	Description Comments	Technical Specification
			ENGINE SPEED FASTENINGS	
1	72315460	1	SOCKET HEAD BOLT	DIN 912 M6X16-8.8

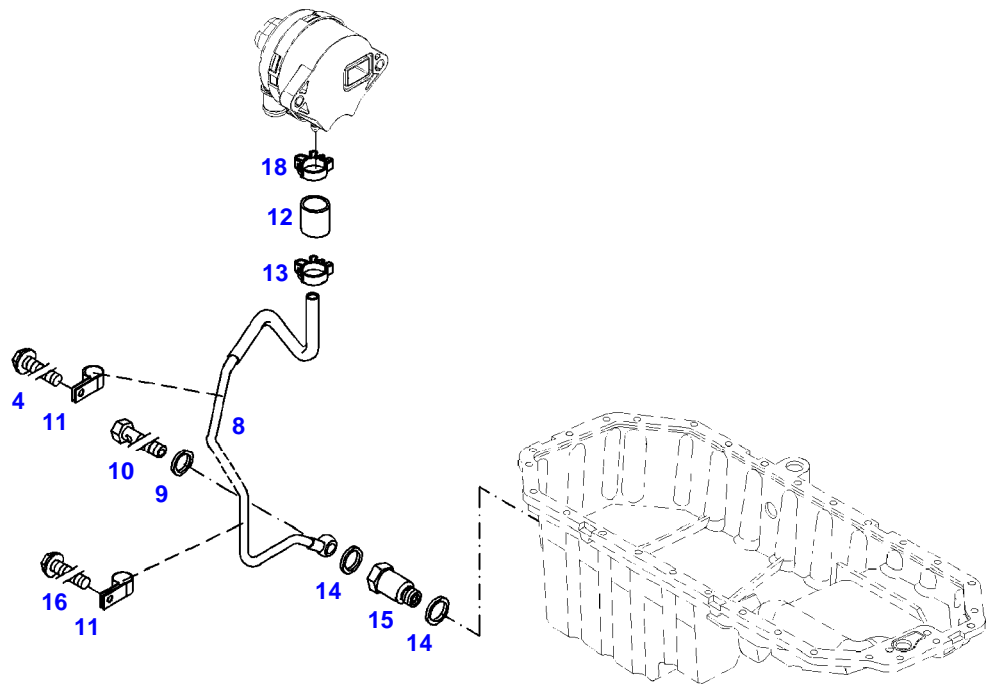
FENDT 712NA (724/00101-99999)
36976



036976

Item	Part Number	Qty	Description Comments	Technical Specification
5	72455795	1	SEAL	
6	72437250	1	BREATHER ><5	
10	72455795	1	SEAL	
11	72455520	1	ADAPTER	
12	72311788	4	DISC	DIN 125-8,4-ST.A3L
13	72453997	1	HOSE	
14	72373531	1	HOSE CLIP	
15	72311167	1	HOSE CLIP	
17	72315650	1	HEXAGONAL HEAD BOLT	DIN 933 M8 X 20-8.8A3L
18	72315668	1	HEXAGONAL HEAD BOLT	DIN 933 M8X50-8.8A3L
21	72452928	1	PLATE	
22	72437633	1	CONNECTING FLANGE	
23	72315478	2	SOCKET HEAD BOLT	DIN 912 M8X35-8.8
24	72311167	1	HOSE CLIP	
26	72495711	1	HOSE	

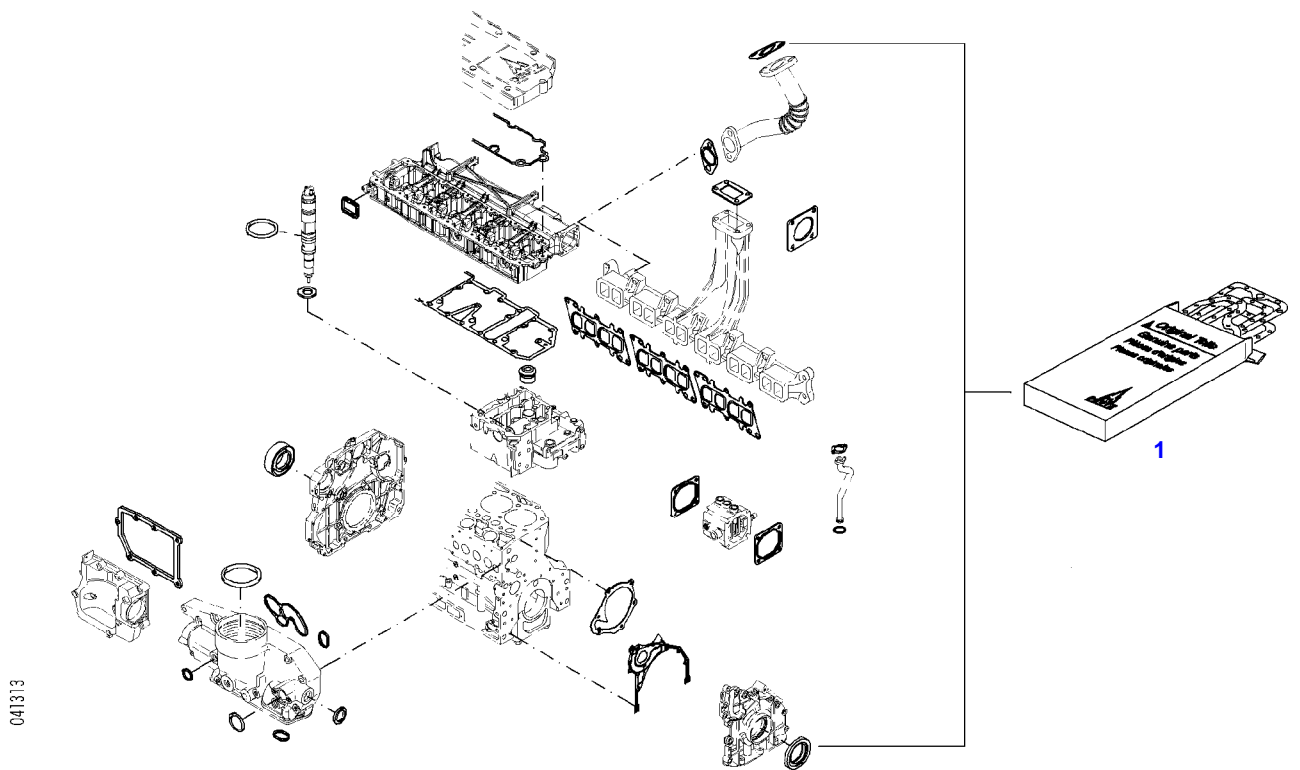
FENDT 712NA (724/00101-99999)
41160



041160

Item	Part Number	Qty	Description Comments
			OIL RETURN TUBE
4	72325453	1	HEXAGONAL HEAD BOLT M8X50
8	72437987	1	OIL RETURN LINE ><9-13
9	72439873	2	SEALING WASHER
10	72323517	1	BANJO BOLT
11	72425772	2	PIPE CLAMP
12	72437138	1	RUBBER HOSE
13	72325537	1	HOSE CLIP
14	72439874	1	SEALING WASHER
15	72425770	1	LOCK VALVE
16	72325457	1	HEXAGONAL HEAD BOLT M8X40
18	72479013	1	HOSE CLIP

FENDT 712NA (724/00101-99999)
41313



Fendt

FENDT 712NA (724/00101-99999)

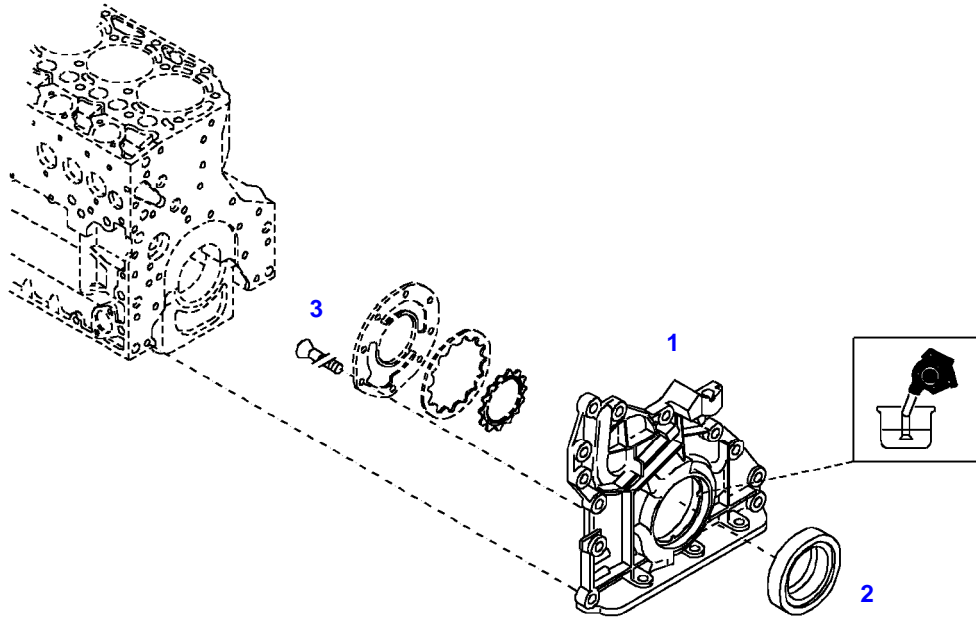
F724105

SET OF GASKETS

Page01-0015

Item	Part Number	Qty	Description Comments
			ENGINE
1	72487659	1	SEAL KIT WITHOUT CYLINDER HEAD GASKET

FENDT 712NA (724/00101-99999)
40475



040475

Fendt

FENDT 712NA (724/00101-99999)

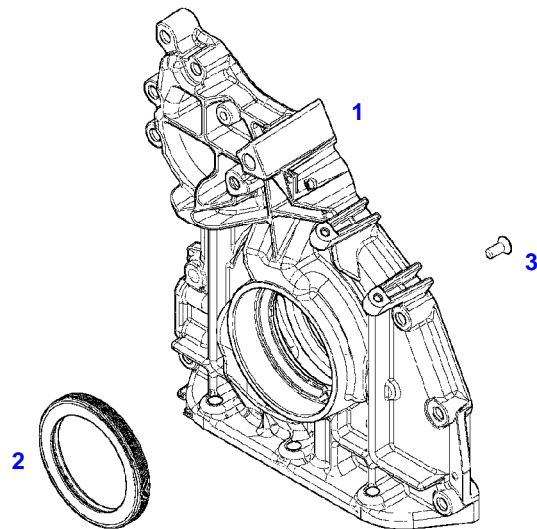
F724105

FRONT COVER

Page01-0016

Item	Part Number	Qty	Description Comments
			INTEGRATED OIL PUMP ENGINE NUMBER --> 11019075
1	72479485	1	CRANKCASE END COVER INTEGRATED OIL PUMP ><2,3
2	72479487	1	SHAFT SEAL
3	72416228	8	COUNTERSUNK CAPSCREW M8X16

FENDT 712NA (724/00101-99999)
41199



041199

Fendt

FENDT 712NA (724/00101-99999)

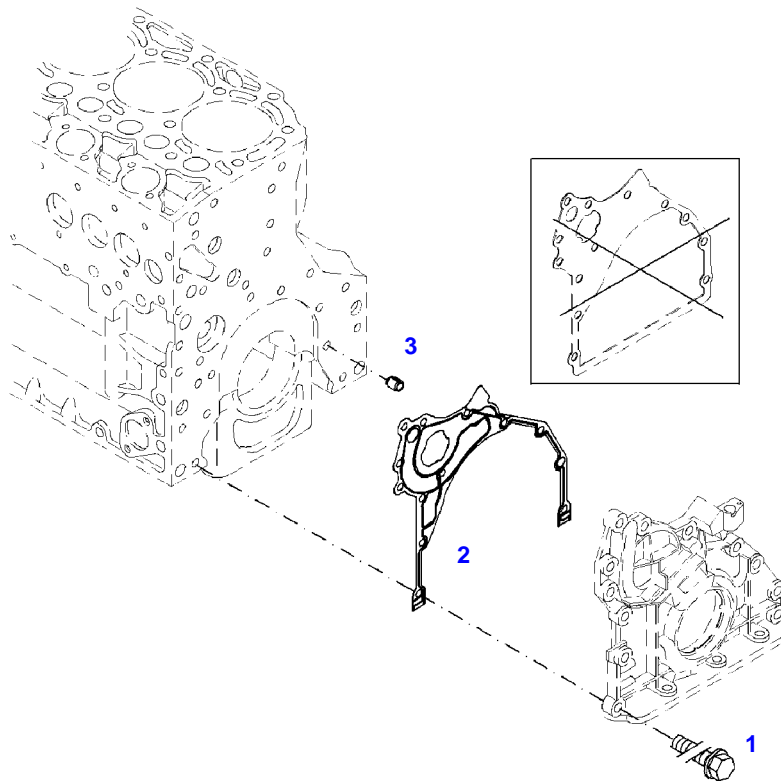
F724105

FRONT COVER

Page01-0017

Item	Part Number	Qty	Description Comments
			INTEGRATED OIL PUMP ENGINE NUMBER <-- 11019076
1	72479485	1	CRANKCASE END COVER INTEGRATED OIL PUMP ><2,3
2	72479487	1	SHAFT SEAL
3	72416228	8	COUNTERSUNK CAPSCREW M6X16

FENDT 712NA (724/00101-99999)
41308



041308

Fendt

FENDT 712NA (724/00101-99999)

F724105

FRONT COVER

Page01-0018

Item	Part Number	Qty	Description Comments	Technical Specification
FASTENINGS				
1	72605244	10	HEXAGONAL HEAD BOLT M8X35	M8X35
2	72486511	1	SEAL	
3	72325352	1	TENSIONER BUSHING	

Thank you so much for reading.
Please click the “Buy Now!”
button below to download the
complete manual.



After you pay.

You can download the most
perfect and complete manual in
the world immediately.

Our support email:

ebooklibonline@outlook.com