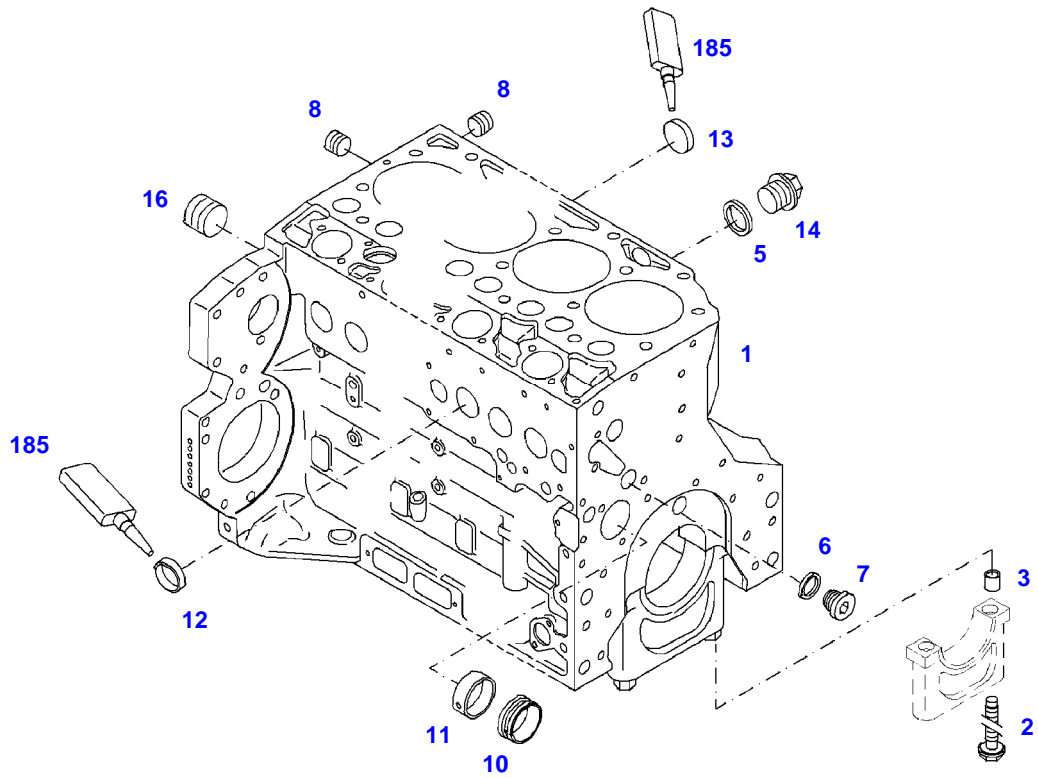


TABLE OF CONTENT

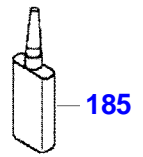
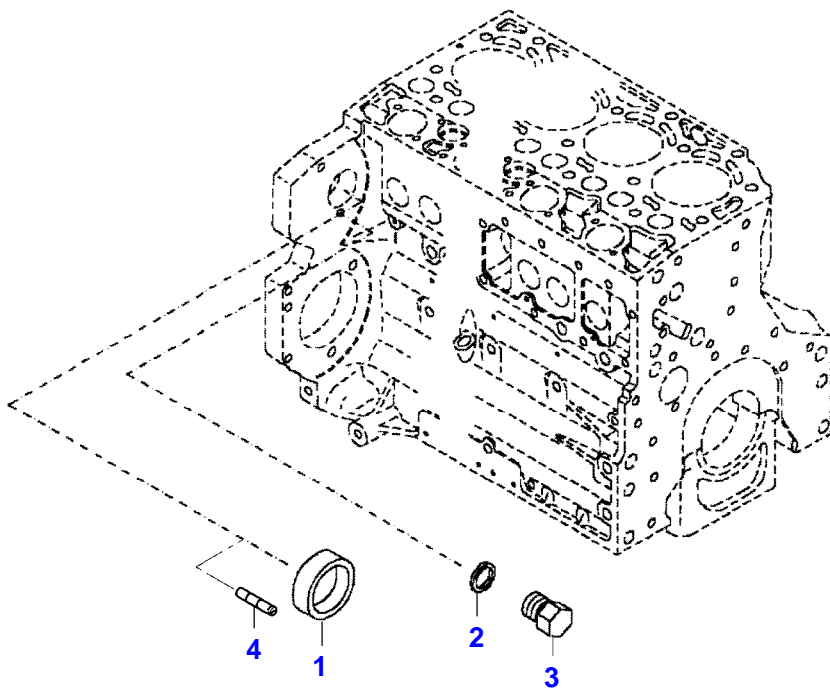
| Page Number | Page Title | Page Reference |
|--------------------|-------------------------------------|-----------------------|
| 01-000-TOC | ENGINE, FUEL AND EXHAUST SYSTEM | 01-000-TOC |
| 02-000-TOC | AXLES | 02-000-TOC |
| 03-000-TOC | STEERING SYSTEM | 03-000-TOC |
| 04-000-TOC | DRIVE TRAIN SYSTEM | 04-000-TOC |
| 05-000-TOC | COMPRESSED AIR SYSTEM | 05-000-TOC |
| 06-000-TOC | HYDRAULIC SYSTEM | 06-000-TOC |
| 07-000-TOC | ELECTRICAL SYSTEM | 07-000-TOC |
| 08-000-TOC | CAB | 08-000-TOC |
| 09-000-TOC | AIR CONDITIONING AND HEATING SYSTEM | 09-000-TOC |
| 10-000-TOC | CHASSIS | 10-000-TOC |
| 11-000-TOC | WHEELS | 11-000-TOC |
| 12-000-TOC | IMPLEMENT LIFT SYSTEM FRONT | 12-000-TOC |
| 13-000-TOC | IMPLEMENT LIFT SYSTEM REAR | 13-000-TOC |
| 14-000-TOC | FRONT/REAR LOADERS | 14-000-TOC |
| 15-000-TOC | ACCESSORIES | 15-000-TOC |

FENDT 820NA (731/00101-99999)
41000



041000

| Item | Part Number | Qty | Description Comments | Technical Specification |
|------|-------------|-----|--|--------------------------|
| | 72436454 | 1 | ENGINE PLEASE ORDER WITH ENGINE NO. ONLY ! <-- 731/1001 --> 731/1953 <-- Z731.200.010.010 ENGINE EXCHANGE | TCD2012L064V |
| | 72604556 | 1 | REMANUFACTURED SHORT BLOCK ENGINE <-- 731/1001 --> 731/1953 | |
| | 72455380 | 1 | ENGINE PLEASE ORDER WITH ENGINE NO. ONLY ! <-- 731/1954 --> 731/9727 <-- Z731200010020 | TCD2012L064V |
| | 72604558 | 1 | REMANUFACTURED SHORT BLOCK ENGINE <-- 731/1954 --> 731/9727 | |
| | 72487623 | 1 | ENGINE PLEASE ORDER WITH ENGINE NO. ONLY ! <-- 731/9728 <-- Z731200010100 | TCD2012L064V |
| | 72604558 | 1 | REMANUFACTURED SHORT BLOCK ENGINE <-- 731/9728 | |
| 1 | 72618972 | 1 | CRANKCASE ><2-16 | |
| 2 | 72416467 | 14 | HEXAGONAL HEAD BOLT | |
| 3 | 72344342 | 14 | ADAPTER BUSH | |
| 5 | 72315095 | 2 | SEALING WASHER | DIN 7603 A14X20-CU |
| 6 | | | NOT USED ENG.NO. --> 10406001 | |
| | 72455567 | 1 | SEALING WASHER ENG.NO. <-- 10406002 | DIN 7603 D22X27-CU |
| 7 | 72325321 | 1 | PLUG M22X1,5 ENG.NO. --> 10406001 | |
| | 72455559 | 1 | PLUG SCREW ENG.NO. <-- 10406002 | |
| 8 | 72429347 | 2 | SCREW M14X1,5 | M14X1,5 |
| 10 | 72416469 | 6 | BEARING BUSHING | |
| 11 | 72416470 | 1 | BEARING BUSHING | |
| 12 | 72325325 | 9 | CORE HOLE PLUG | |
| 13 | 72325326 | 5 | CORE HOLE PLUG | |
| 14 | 72315799 | 2 | PLUG | DIN 7604 AM14X1,5-A3L |
| 16 | 72431135 | 1 | LOCKING PLUG | |
| 185 | 72381391 | 1 | THREADLOCKER | LOCTITE 243 10ML |



Fendt

FENDT 820NA (731/00101-99999)

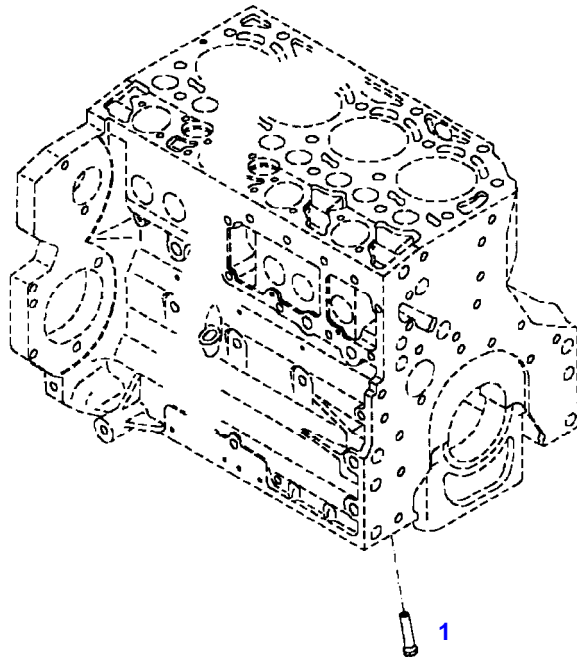
F731105

CRANKCASE

Page01-0002

| Item | Part Number | Qty | Description Comments | Technical Specification |
|-----------------------|-------------|-----|-------------------------|-------------------------|
| BLANKING PARTS | | | | |
| 1 | 72627515 | 1 | CORE HOLE PLUG | |
| 2 | 72315088 | 2 | SEALING WASHER | DIN 7603 A10X13,5-CU |
| 3 | 72323677 | 2 | PLUG | |
| 4 | 72631860 | 2 | SLUG | |
| 185 | 72325403 | 1 | SAFE.LOCK AGENT | |

FENDT 820NA (731/00101-99999)
30094



030004

Fendt

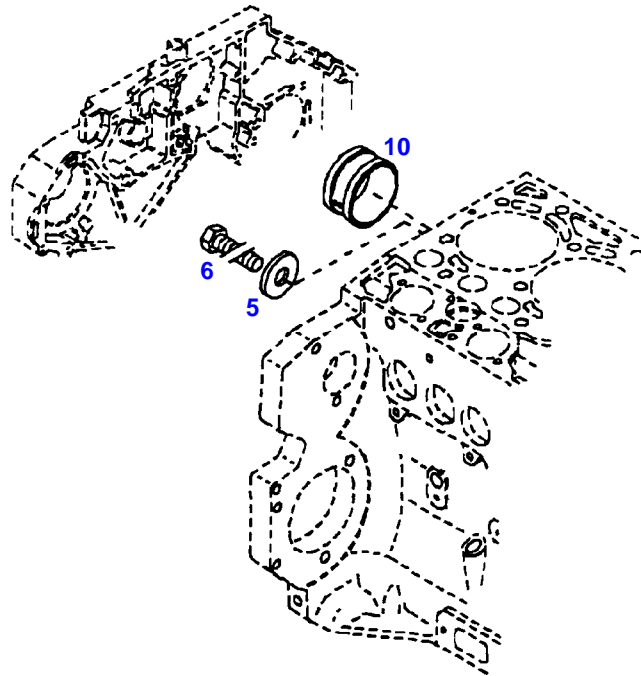
FENDT 820NA (731/00101-99999)

F731105

CRANKCASE

Page01-0003

| Item | Part Number | Qty | Description Comments |
|------|-------------|-----|-------------------------|
| | | | PISTON COOL.NOZZLE |
| 1 | 72415140 | 6 | PISTON COOLING JET |



12574

Fendt

FENDT 820NA (731/00101-99999)

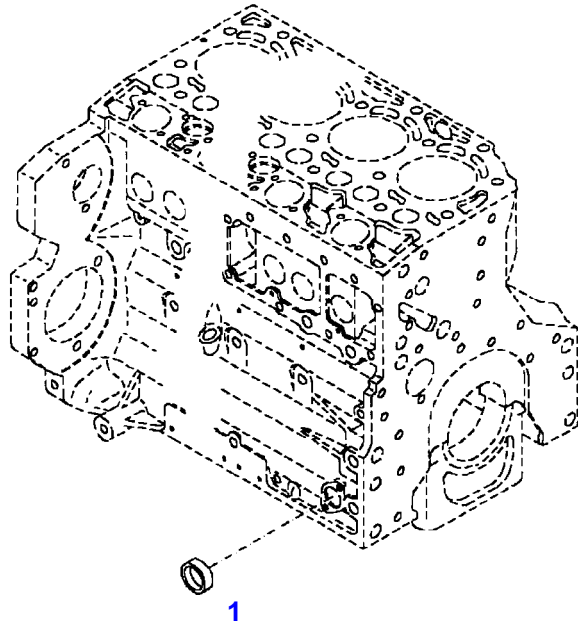
F731105

CRANKCASE

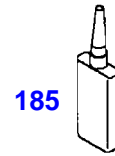
Page01-0004

| Item | Part Number | Qty | Description Comments |
|-----------------------|-------------|-----|-------------------------|
| BLANKING PARTS | | | |
| 5 | 72415828 | 1 | DISC |
| 6 | 72426697 | 1 | HEXAGONAL HEAD BOLT |
| 10 | 72426698 | 1 | BUSH |

FENDT 820NA (731/00101-99999)
40194



040194



Fendt

FENDT 820NA (731/00101-99999)

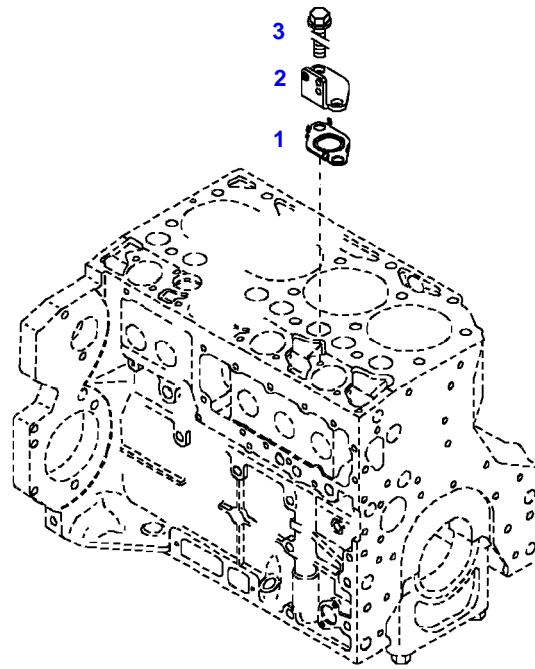
F731105

CRANKCASE

Page01-0005

| Item | Part Number | Qty | Description Comments |
|------|-------------|-----|-------------------------|
| | | | LOCKING PLUG |
| 1 | 72325326 | 1 | CORE HOLE PLUG |
| 185 | 72325403 | 1 | SAFE.LOCK AGENT |

FENDT 820NA (731/00101-99999)
35315



035315

Fendt

FENDT 820NA (731/00101-99999)

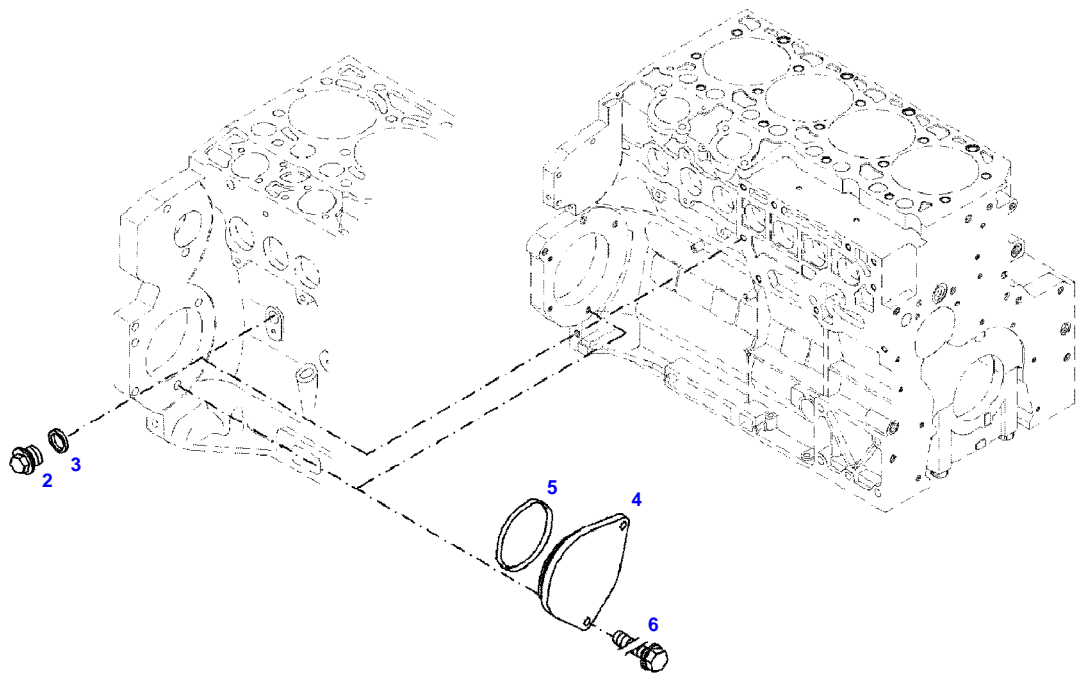
F731105

CRANKCASE

Page01-0006

| Item | Part Number | Qty | Description Comments |
|-----------------------|-------------|-----|------------------------------|
| BLANKING PARTS | | | |
| 1 | 72490265 | 1 | SEAL |
| 2 | 72436408 | 1 | COVER |
| 3 | 72415878 | 2 | HEXAGONAL HEAD BOLT M8X16 |

FENDT 820NA (731/00101-99999)
F51577

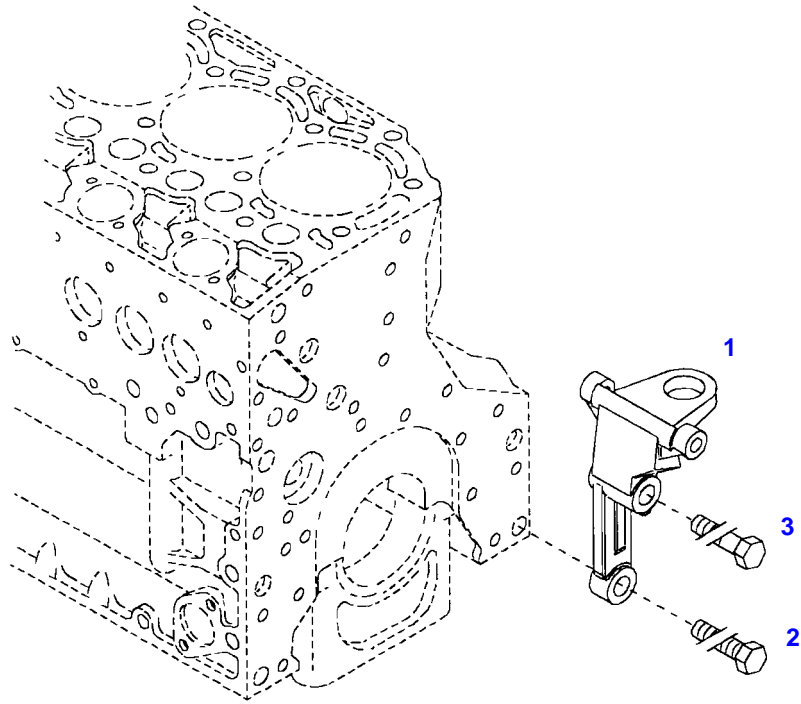


051577



| Item | Part Number | Qty | Description Comments | Technical Specification |
|-----------------------|-------------|-----|--|-------------------------|
| BLANKING PARTS | | | | |
| 2 | 72315799 | 1 | PLUG NOT NEEDED WITH AIR BRAKE | DIN 7604 AM14X1,5-A3L |
| 3 | 72315094 | 1 | SEALING WASHER NOT NEEDED WITH AIR BRAKE | DIN 7603 A14X18-CU |
| 4 | 72431648 | 1 | COVER NOT NEEDED WITH AIR BRAKE | |
| 5 | 72416472 | 1 | SEAL 96X4MM NOT NEEDED WITH AIR BRAKE | |
| 6 | 72438057 | 2 | HEXAGONAL HEAD BOLT NOT NEEDED WITH AIR BRAKE | M10X20 |

FENDT 820NA (731/00101-99999)
40029



040029

Fendt

FENDT 820NA (731/00101-99999)

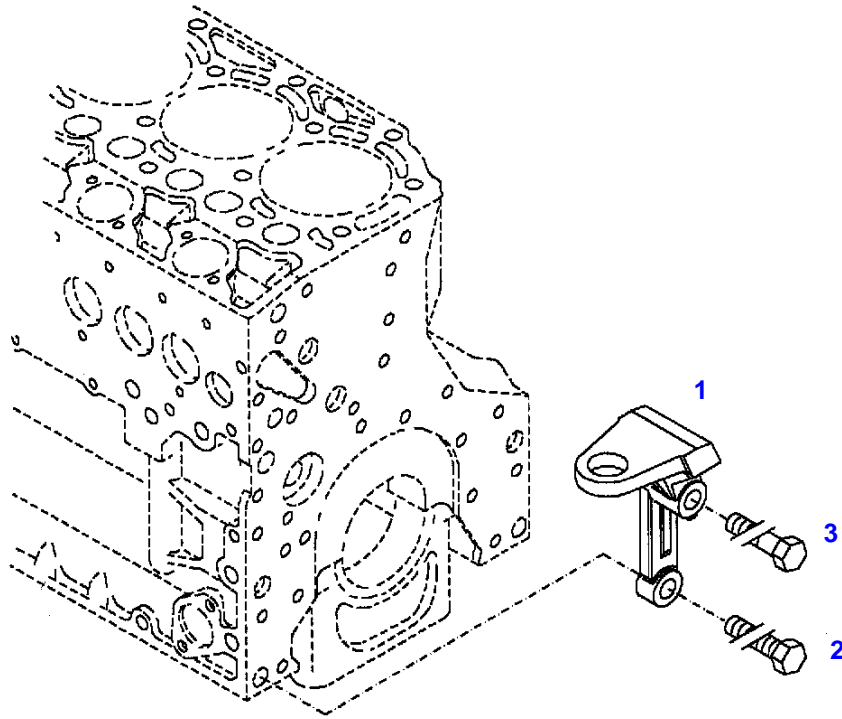
F731105

ENGINE MOUNTINGS

Page01-0008

| Item | Part Number | Qty | Description Comments | Technical Specification |
|------|-------------|-----|-------------------------|-------------------------|
| | | | LEFT | |
| 1 | 72428791 | 1 | ENGINE SUSPENSION | |
| 2 | 72418408 | 1 | HEXAGONAL HEAD BOLT | DIN 933 M16X40 GWA-10.9 |
| 3 | 72374294 | 1 | HEXAGONAL HEAD BOLT | DIN 931-M16X85 GWA-10.9 |

FENDT 820NA (731/00101-99999)
40030



040030

Fendt

FENDT 820NA (731/00101-99999)

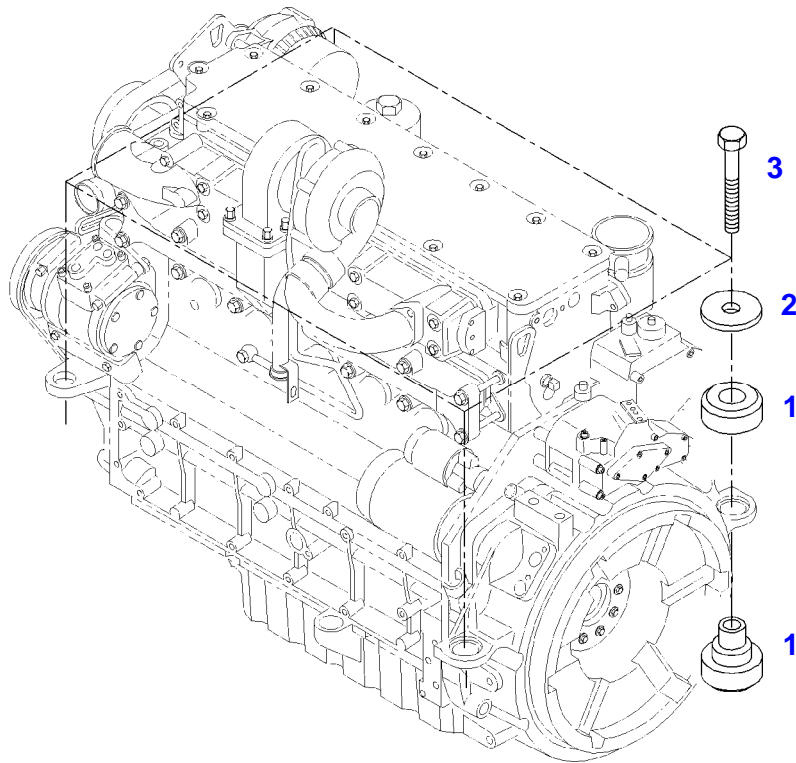
F731105

ENGINE MOUNTINGS

Page01-0009

| Item | Part Number | Qty | Description Comments | Technical Specification |
|------|-------------|-----|-------------------------|-------------------------|
| | | | RIGHT | |
| 1 | 72423955 | 1 | ENGINE SUSPENSION | |
| 2 | 72418408 | 1 | HEXAGONAL HEAD BOLT | DIN 933 M16X40 GWA-10.9 |
| 3 | 72374294 | 1 | HEXAGONAL HEAD BOLT | DIN 931-M16X85 GWA-10.9 |

FENDT 820NA (731/00101-99999)
35107



035107

Fendt

FENDT 820NA (731/00101-99999)

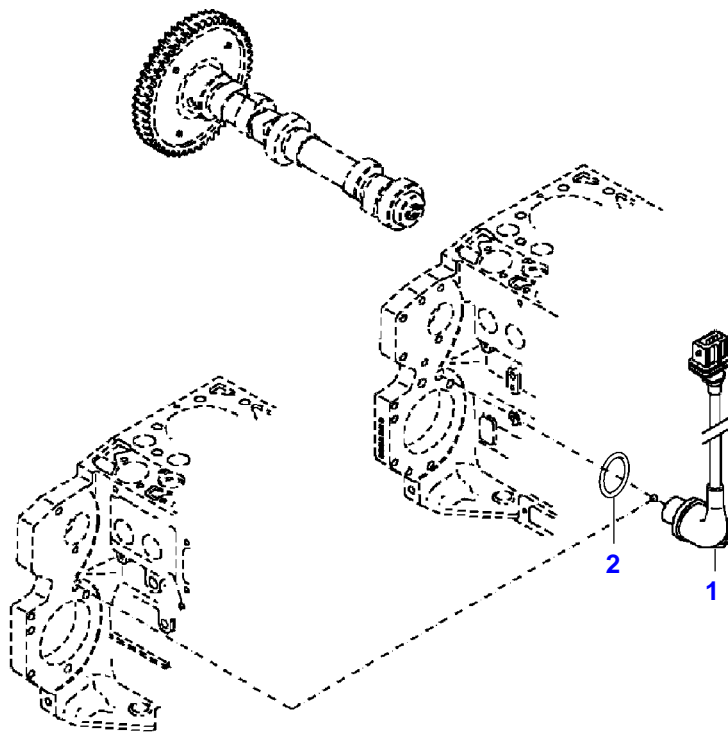
F731105

ENGINE BEARINGS

Page01-0010

| Item | Part Number | Qty | Description Comments | Technical Specification |
|------|-------------|-----|-------------------------|-------------------------|
| 1 | 72423991 | 4 | ENGINE MOUNT | |
| 2 | 72318110 | 4 | DISC | |
| 3 | 72315563 | 4 | HEXAGONAL HEAD BOLT | DIN 931 M12X80-8.8A3L |

FENDT 820NA (731/00101-99999)
431755-M-1



431755-M-1

Fendt

FENDT 820NA (731/00101-99999)

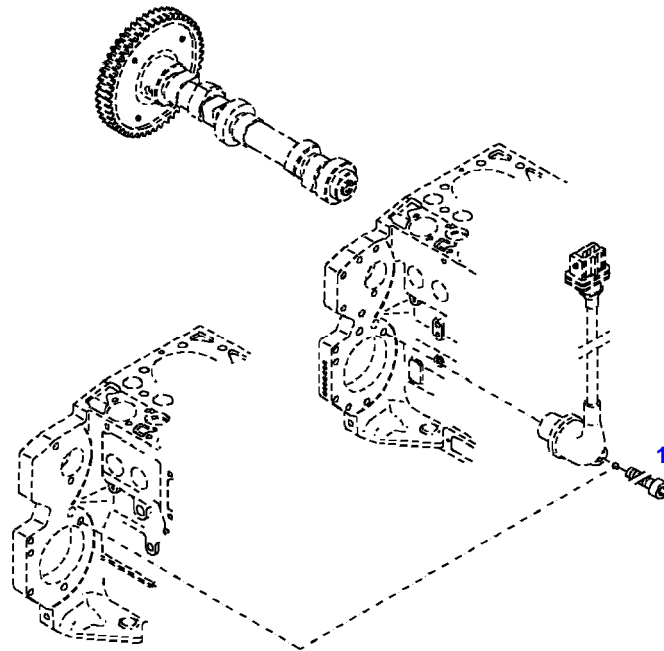
F731105

TRANSMITTER

Page01-0011

| Item | Part Number | Qty | Description Comments |
|------|-------------|-----|-------------------------|
| | | | ENGINE SPEED EDC |
| 1 | 72626758 | 1 | TRANSMITTER |
| 2 | 72628348 | 1 | O-RING |

FENDT 820NA (731/00101-99999)
35317



035317

Thank you so much for reading.
Please click the “Buy Now!”
button below to download the
complete manual.



After you pay.

You can download the most
perfect and complete manual in
the world immediately.

Our support email:

ebooklibonline@outlook.com