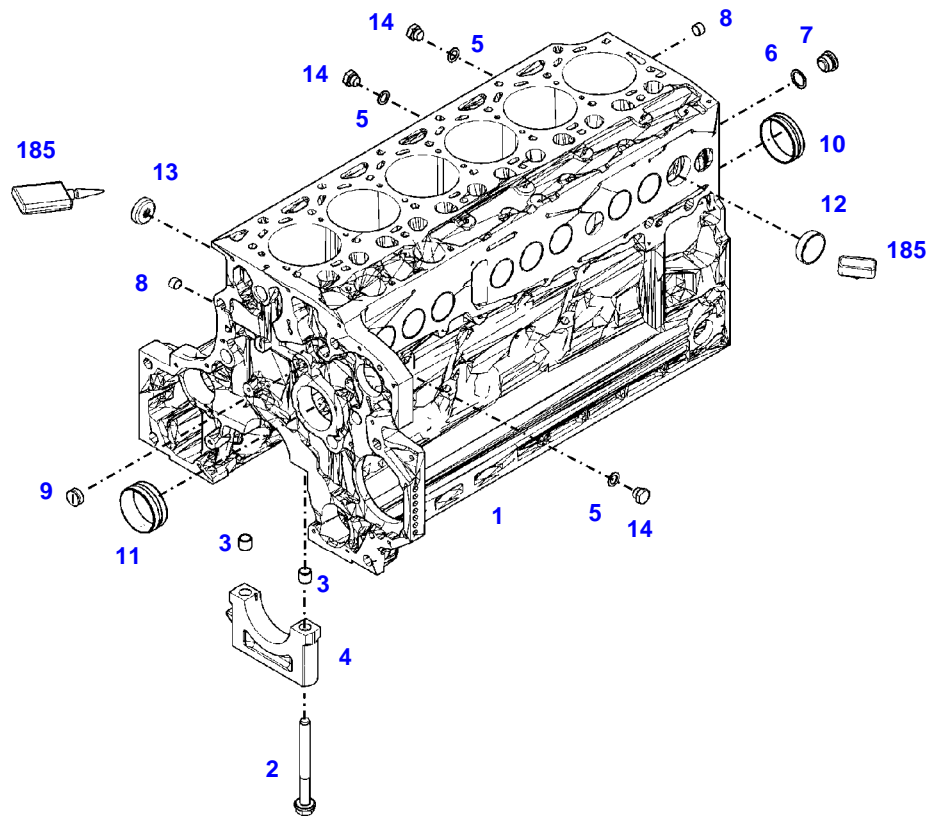


TABLE OF CONTENT

| Page Number | Page Title | Page Reference |
|--------------------|-------------------------------------|-----------------------|
| 01-000-TOC | ENGINE, FUEL AND EXHAUST SYSTEM | 01-000-TOC |
| 02-000-TOC | AXLES | 02-000-TOC |
| 03-000-TOC | STEERING SYSTEM | 03-000-TOC |
| 04-000-TOC | DRIVE TRAIN SYSTEM | 04-000-TOC |
| 05-000-TOC | COMPRESSED AIR SYSTEM | 05-000-TOC |
| 06-000-TOC | HYDRAULIC SYSTEM | 06-000-TOC |
| 07-000-TOC | ELECTRICAL SYSTEM | 07-000-TOC |
| 08-000-TOC | CAB | 08-000-TOC |
| 09-000-TOC | AIR CONDITIONING AND HEATING SYSTEM | 09-000-TOC |
| 10-000-TOC | CHASSIS | 10-000-TOC |
| 11-000-TOC | WHEELS | 11-000-TOC |
| 12-000-TOC | IMPLEMENT LIFT SYSTEM FRONT | 12-000-TOC |
| 13-000-TOC | IMPLEMENT LIFT SYSTEM REAR | 13-000-TOC |
| 14-000-TOC | FRONT/REAR LOADERS | 14-000-TOC |
| 15-000-TOC | PRECISION FARMING SYSTEMS | 15-000-TOC |
| 16-000-TOC | ACCESSORIES | 16-000-TOC |

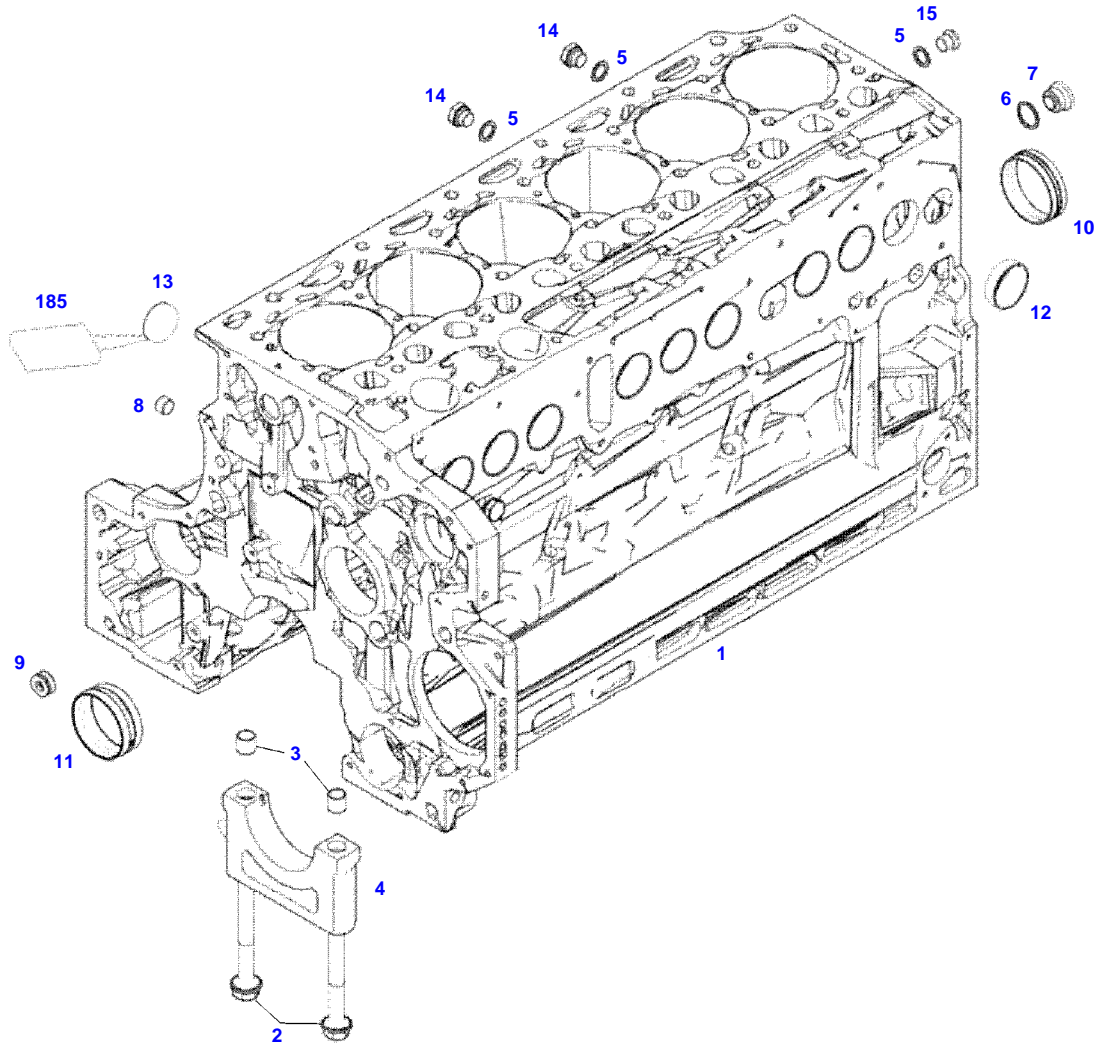
FENDT 714NA SCR (732/00101-99999)
41239



041239

| Item | Part Number | Qty | Description Comments | Technical Specification |
|------|-------------|-----|---|-----------------------------|
| | | | ENGINE NUMBER <-- 11227852 --> 11627665 | |
| | 72605688 | 1 | ENGINE --> 732/1711 | TCD6.1L6 |
| | 72608986 | 1 | REMANUFACTURED SHORT BLOCK ENGINE --> 732/1711 | |
| | 72609276 | 1 | ENGINE <-- 732/1712 | TCD6.1L6 |
| 1 | 72497419 | 1 | CRANKCASE ><2-14 | |
| 2 | 72416467 | 14 | HEXAGONAL HEAD BOLT | |
| 3 | 72344342 | 14 | ADAPTER BUSH | |
| 4 | | | NOT AVAILABLE IN SINGLE PARTS | |
| 5 | 72456134 | 3 | SEALING WASHER | DIN 7603 D14X20-CU-VERZINNT |
| 6 | 72439874 | 1 | SEALING WASHER | |
| 7 | 72455559 | 1 | PLUG SCREW | |
| 8 | 72429347 | 2 | SCREW M14X1,5 | M14X1,5 |
| 9 | 72431135 | 1 | LOCKING PLUG | |
| 10 | 72497417 | 6 | BEARING BUSHING | |
| 11 | 72491822 | 1 | BEARING BUSHING | |
| 12 | 72325325 | 9 | CORE HOLE PLUG | |
| 13 | 72325326 | 6 | CORE HOLE PLUG | |
| 14 | 72315799 | 3 | PLUG | DIN 7604 AM14X1,5-A3L |
| 185 | 72381391 | 1 | THREADLOCKER | LOCTITE 243 10ML |

FENDT 714NA SCR (732/00101-99999)
F061411

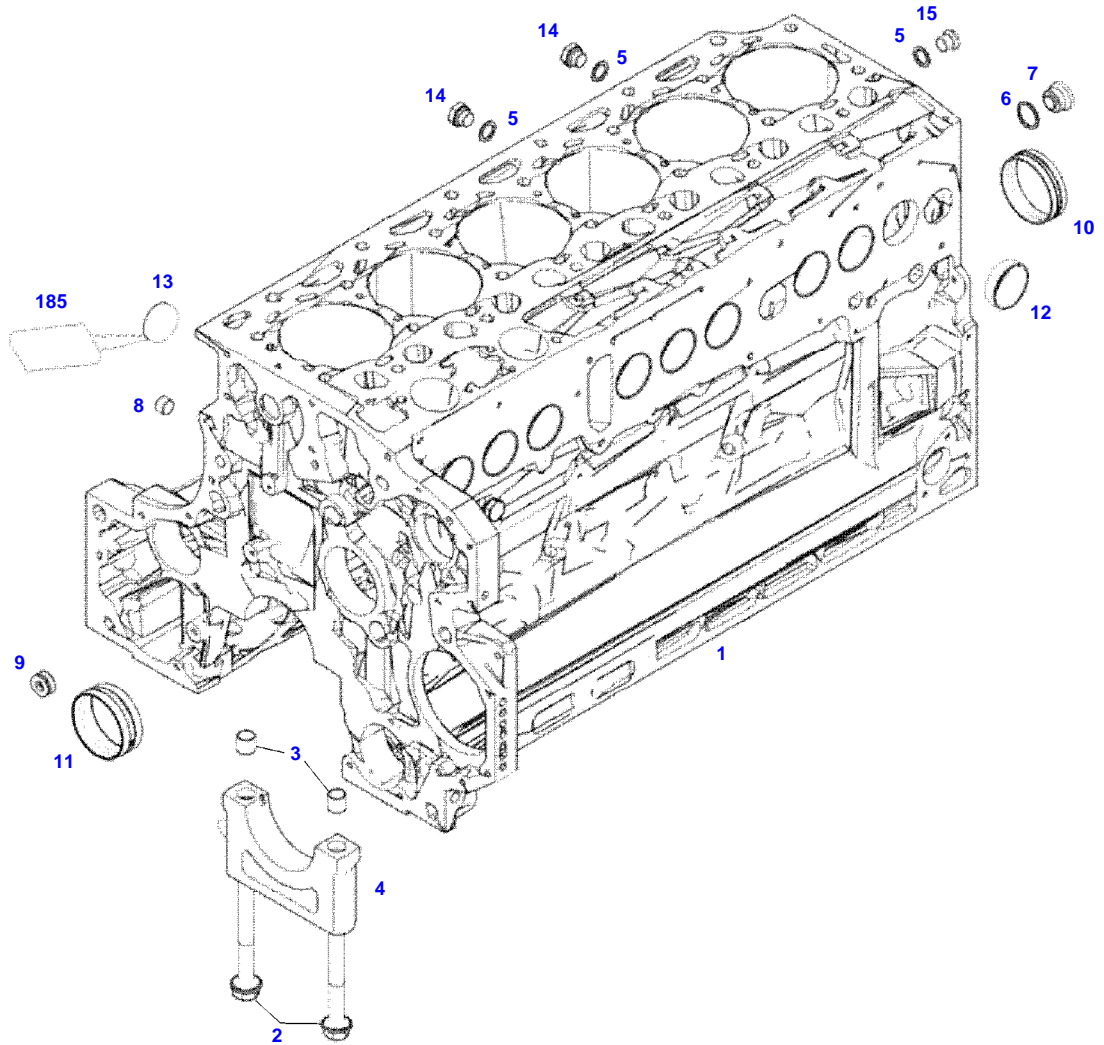


F061411



| Item | Part Number | Qty | Description Comments | Technical Specification |
|------|-------------|-----|---|-----------------------------|
| | | | ENGINE NUMBER <-- 11627666 --> 11727015 | |
| | 72605688 | 1 | ENGINE --> 732/1711 | TCD6.1L6 |
| | 72608986 | 1 | REMANUFACTURED SHORT BLOCK ENGINE --> 732/1711 | |
| | 72609276 | 1 | ENGINE <-- 732/1712 | TCD6.1L6 |
| 1 | 72616334 | 1 | CRANKCASE ><2-14 | |
| 2 | 72416467 | 14 | HEXAGONAL HEAD BOLT | |
| 3 | 72344342 | 14 | ADAPTER BUSH | |
| 4 | | | NOT AVAILABLE IN SINGLE PARTS | |
| 5 | 72456134 | 3 | SEALING WASHER | DIN 7603 D14X20-CU-VERZINNT |
| 6 | 72439874 | 1 | SEALING WASHER | |
| 7 | 72455559 | 1 | PLUG SCREW | |
| 8 | 72429347 | 2 | SCREW M14X1,5 | M14X1,5 |
| 9 | 72431135 | 1 | LOCKING PLUG | |
| 10 | 72615416 | 6 | BEARING BUSHING | |
| 11 | 72491822 | 1 | BEARING BUSHING | |
| 12 | 72325325 | 9 | CORE HOLE PLUG | |
| 13 | 72325326 | 6 | CORE HOLE PLUG | |
| 14 | 72315799 | 3 | PLUG | DIN 7604 AM14X1,5-A3L |
| 15 | 72315438 | 1 | PLUG SCREW | DIN 908 M14X1,5-ST |
| 185 | 72381391 | 1 | THREADLOCKER | LOCTITE 243 10ML |

FENDT 714NA SCR (732/00101-99999)
F061411

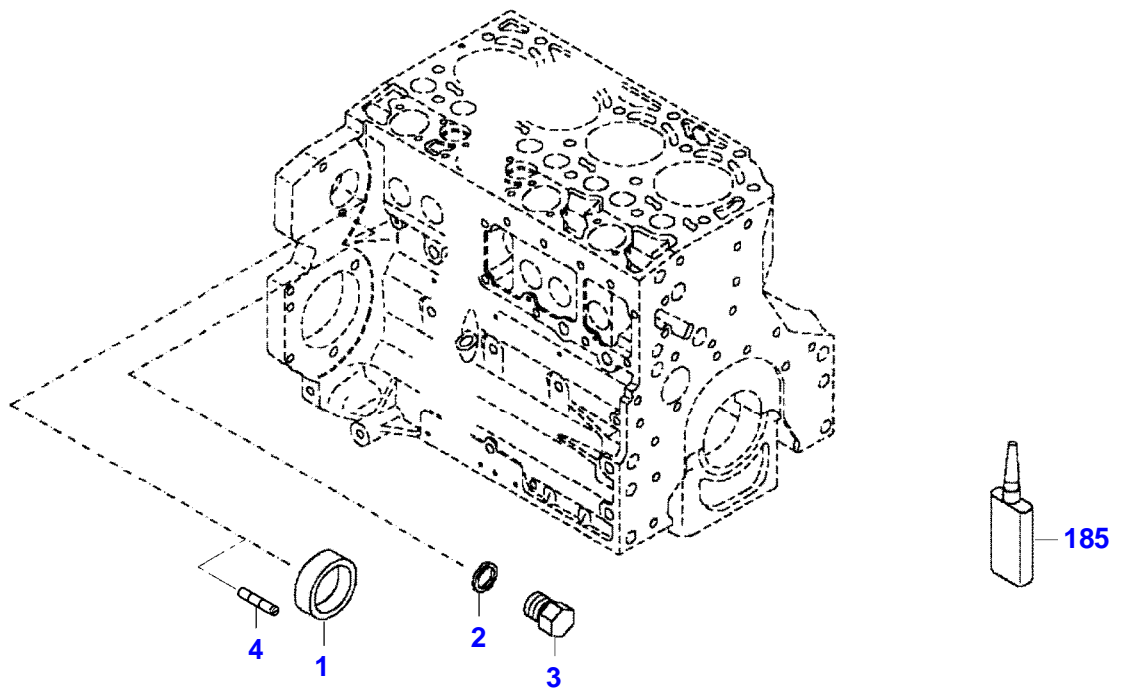


F061411



| Item | Part Number | Qty | Description Comments | Technical Specification |
|------|-------------|-----|---|-----------------------------|
| | | | ENGINE NUMBER <-- 11727016 | |
| | 72605688 | 1 | ENGINE --> 732/1711 | TCD6.1L6 |
| | 72608986 | 1 | REMANUFACTURED SHORT BLOCK ENGINE --> 732/1711 | |
| | 72609276 | 1 | ENGINE <-- 732/1712 | TCD6.1L6 |
| 1 | 72616334 | 1 | CRANKCASE ><2-14 | |
| 2 | 72416467 | 14 | HEXAGONAL HEAD BOLT | |
| 3 | 72344342 | 14 | ADAPTER BUSH | |
| 4 | | | NOT AVAILABLE IN SINGLE PARTS | |
| 5 | 72456134 | 3 | SEALING WASHER | DIN 7603 D14X20-CU-VERZINNT |
| 6 | 72439874 | 1 | SEALING WASHER | |
| 7 | 72455559 | 1 | PLUG SCREW | |
| 8 | 72429347 | 2 | SCREW M14X1,5 | M14X1,5 |
| 9 | 72431135 | 1 | LOCKING PLUG | |
| 10 | ACP0152940 | 6 | FEMALE BEARING | |
| 11 | ACP0152930 | 1 | FEMALE BEARING | |
| 12 | 72325325 | 9 | CORE HOLE PLUG | |
| 13 | 72325326 | 6 | CORE HOLE PLUG | |
| 14 | 72315799 | 3 | PLUG | DIN 7604 AM14X1,5-A3L |
| 15 | 72315438 | 1 | PLUG SCREW | DIN 908 M14X1,5-ST |
| 185 | 72381391 | 1 | THREADLOCKER | LOCTITE 243 10ML |

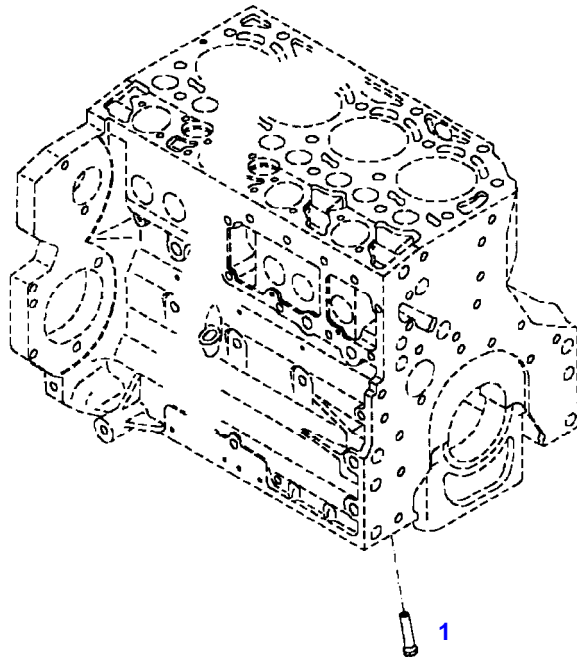
FENDT 714NA SCR (732/00101-99999)
432327-M-1



432327-M-1

| Item | Part Number | Qty | Description Comments | Technical Specification |
|-----------------------|-------------|-----|-------------------------|-------------------------|
| BLANKING PARTS | | | | |
| 1 | 72627515 | 1 | CORE HOLE PLUG | |
| 2 | 72315088 | 2 | SEALING WASHER | DIN 7603 A10X13,5-CU |
| 3 | 72323677 | 2 | PLUG | |
| 4 | 72631860 | 2 | THREADED PIN | |
| 185 | 72325403 | 1 | SAFE.LOCK AGENT | |

FENDT 714NA SCR (732/00101-99999)
30094



7600E0

Fendt

FENDT 714NA SCR (732/00101-99999)

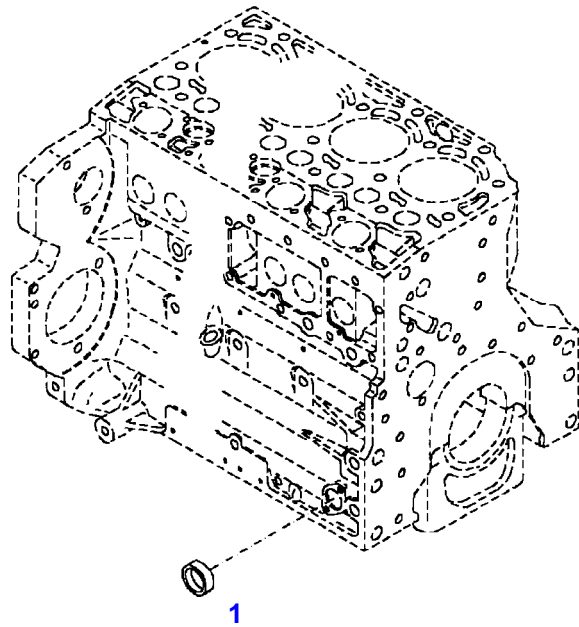
F732105

CRANKCASE

Page01-0006

| Item | Part Number | Qty | Description Comments |
|------|-------------|-----|-------------------------|
| | | | PISTON COOL.NOZZLE |
| 1 | 72415140 | 6 | PISTON COOLING JET |

FENDT 714NA SCR (732/00101-99999)
40194



040194

185



Fendt

FENDT 714NA SCR (732/00101-99999)

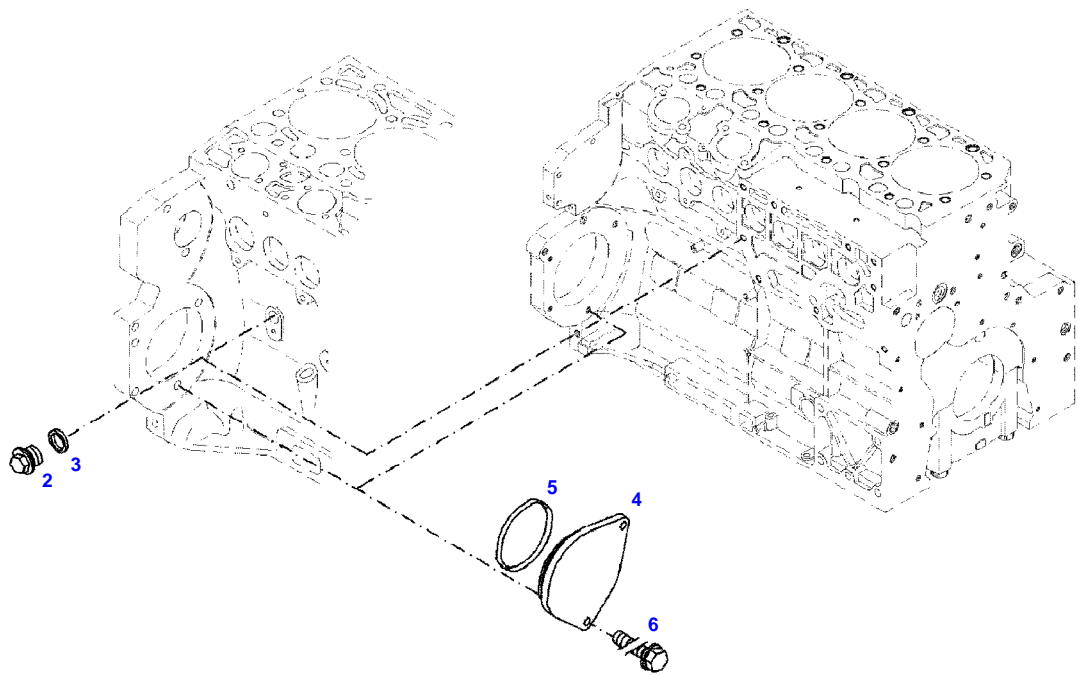
F732105

CRANKCASE

Page01-0007

| Item | Part Number | Qty | Description Comments |
|------|-------------|-----|-------------------------|
| | | | LOCKING PLUG |
| 1 | 72325326 | 1 | CORE HOLE PLUG |
| 185 | 72325403 | 1 | SAFE.LOCK AGENT |

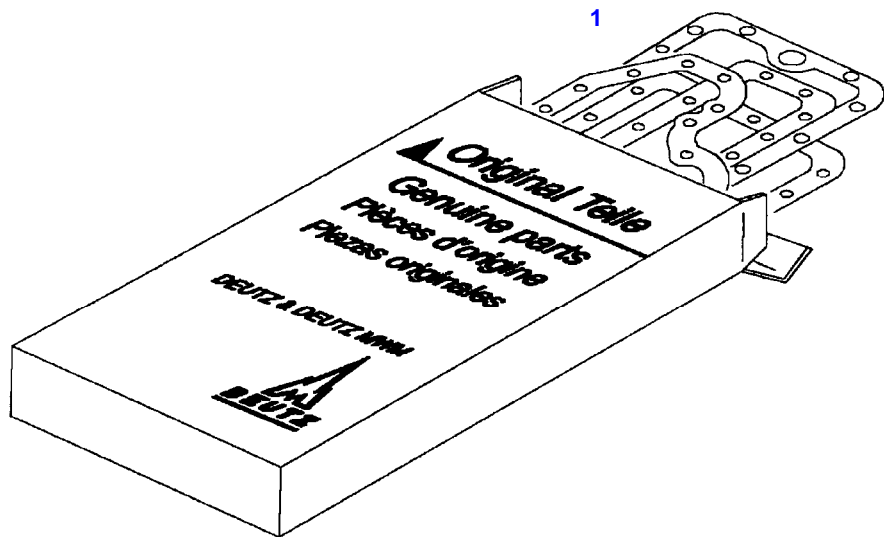
FENDT 714NA SCR (732/00101-99999)
F51577



051577



| Item | Part Number | Qty | Description Comments | Technical Specification |
|-----------------------|-------------|-----|--|-------------------------|
| BLANKING PARTS | | | | |
| 2 | 72315799 | 1 | PLUG NOT NEEDED WITH AIR BRAKE | DIN 7604 AM14X1,5-A3L |
| 3 | 72315094 | 1 | SEALING WASHER NOT NEEDED WITH AIR BRAKE | DIN 7603 A14X18-CU |
| 4 | 72431648 | 1 | COVER NOT NEEDED WITH AIR BRAKE | |
| 5 | 72416472 | 1 | SEAL 96X4MM NOT NEEDED WITH AIR BRAKE | |
| 6 | 72438057 | 2 | HEXAGONAL HEAD BOLT NOT NEEDED WITH AIR BRAKE | M10X20 |



030100

Fendt

FENDT 714NA SCR (732/00101-99999)

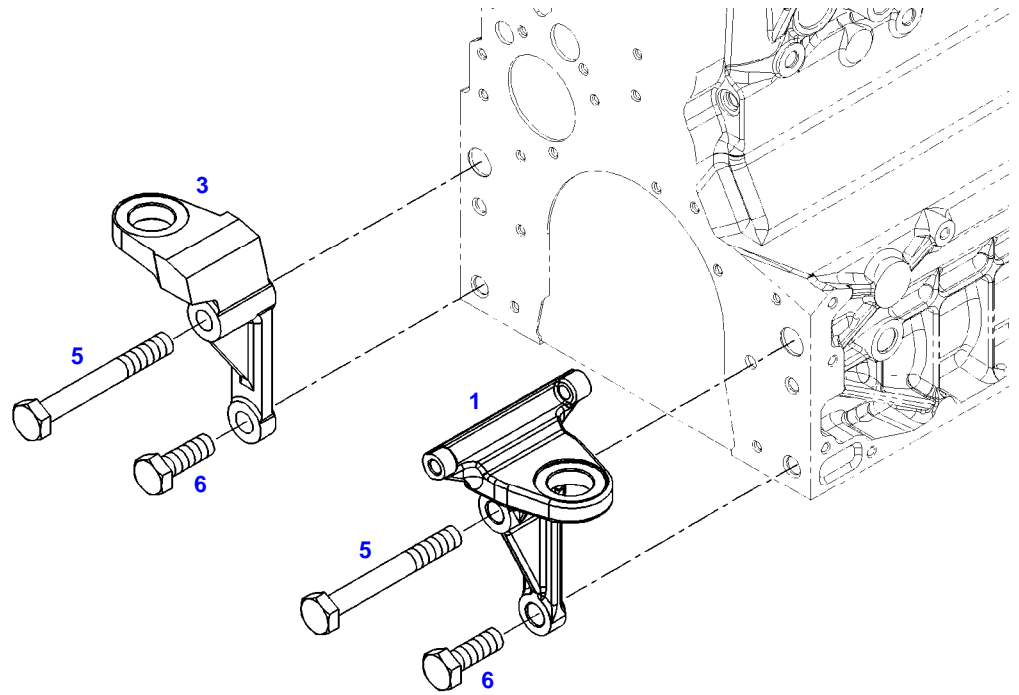
F732105

SET OF GASKETS - MOTOR

Page01-0009

| Item | Part Number | Qty | Description Comments |
|------|-------------|-----|---|
| 1 | 72609323 | 1 | SEAL KIT WITHOUT CYLINDER HEAD GASKET UP TO ENGINE NUMBER 11691133 |
| | 72615421 | 1 | SEAL KIT WITHOUT CYLINDER HEAD GASKET FROM ENGINE S/N 11691134 |

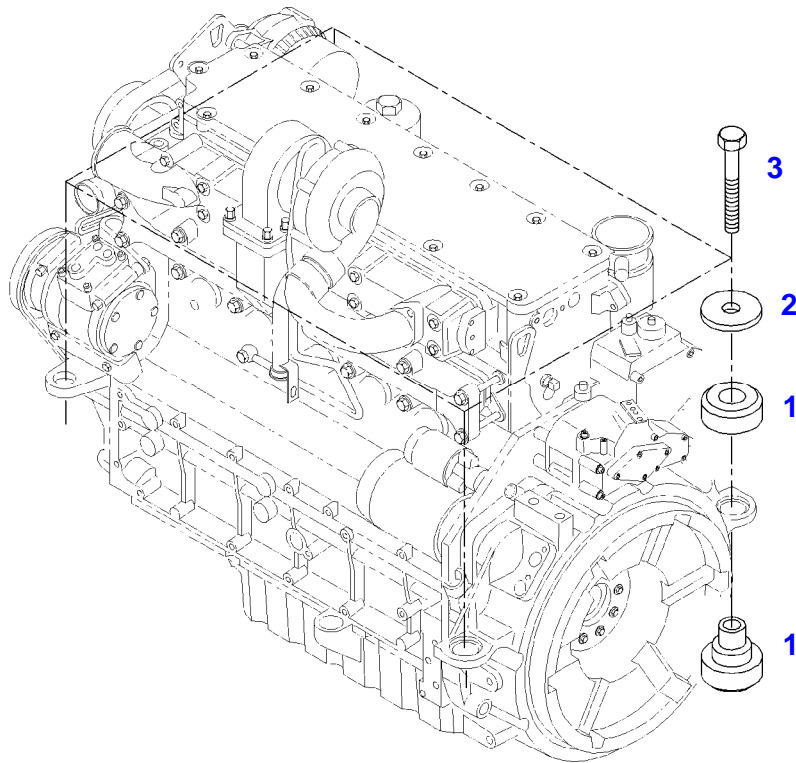
FENDT 714NA SCR (732/00101-99999)
38791



038791

| Item | Part Number | Qty | Description Comments | Technical Specification |
|-------------|--------------------|------------|---------------------------------|--------------------------------|
| 1 | 72442925 | 1 | ENGINE SUSPENSION LEFT | |
| 3 | 72423955 | 1 | ENGINE SUSPENSION RIGHT | |
| 5 | 72374294 | 2 | HEXAGONAL HEAD BOLT | DIN 931-M16X85 GWA-10.9 |
| 6 | 72418408 | 2 | HEXAGONAL HEAD BOLT | DIN 933 M16X40 GWA-10.9 |

FENDT 714NA SCR (732/00101-99999)
35107



035107

Fendt

FENDT 714NA SCR (732/00101-99999)

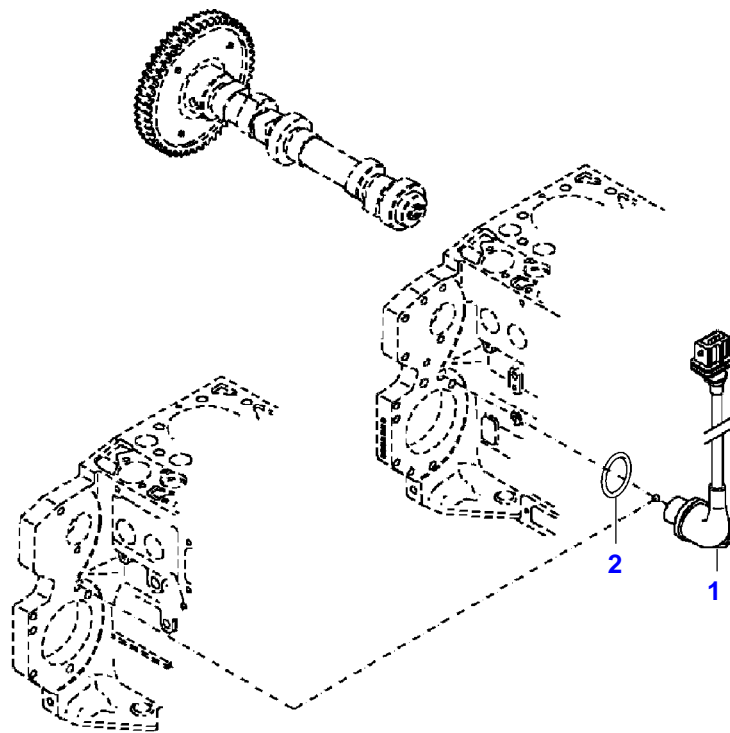
F732105

ENGINE BEARINGS

Page01-0011

| Item | Part Number | Qty | Description Comments | Technical Specification |
|------|-------------|-----|-------------------------|-------------------------|
| 1 | 72423991 | 4 | ENGINE MOUNT | |
| 2 | 72318110 | 4 | DISC | |
| 3 | 72315563 | 4 | HEXAGONAL HEAD BOLT | DIN 931 M12X80-8.8A3L |

FENDT 714NA SCR (732/00101-99999)
431755-M-1



431755-M-1

Fendt

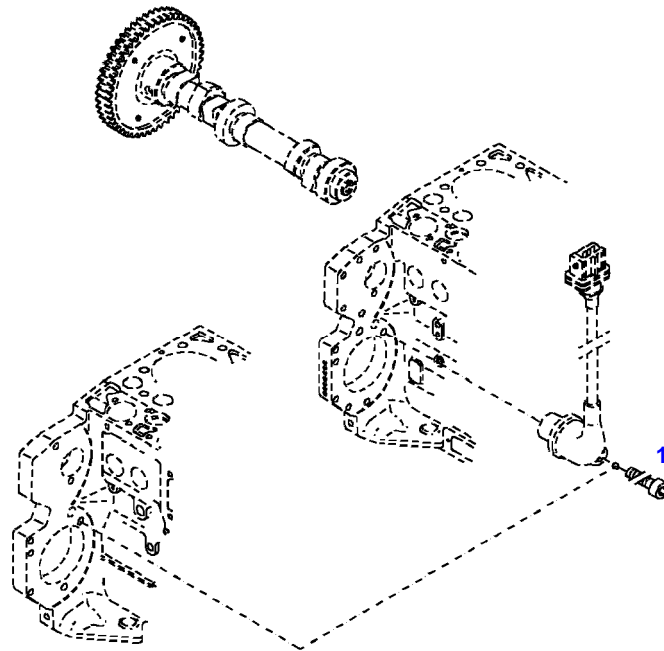
FENDT 714NA SCR (732/00101-99999)

F732105

TRANSMITTER

Page01-0012

| Item | Part Number | Qty | Description Comments |
|------|-------------|-----|-------------------------|
| | | | ENGINE SPEED EDC |
| 1 | 72626758 | 1 | TRANSMITTER |
| 2 | 72628348 | 1 | O-RING |



035317

Fendt

FENDT 714NA SCR (732/00101-99999)

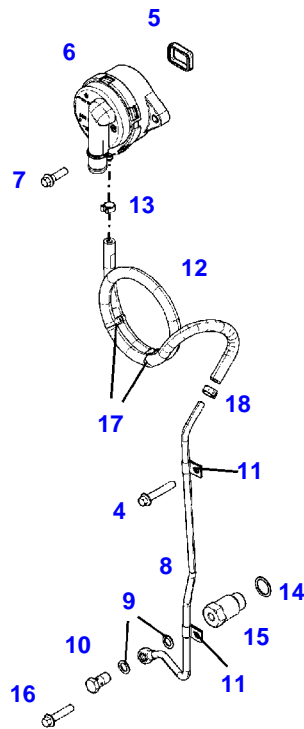
F732105

TRANSMITTER

Page01-0013

| Item | Part Number | Qty | Description Comments | Technical Specification |
|------|-------------|-----|----------------------------|-------------------------|
| | | | ENGINE SPEED FASTENINGS | |
| 1 | 72315460 | 1 | SOCKET HEAD BOLT | DIN 912 M6X16-8.8 |

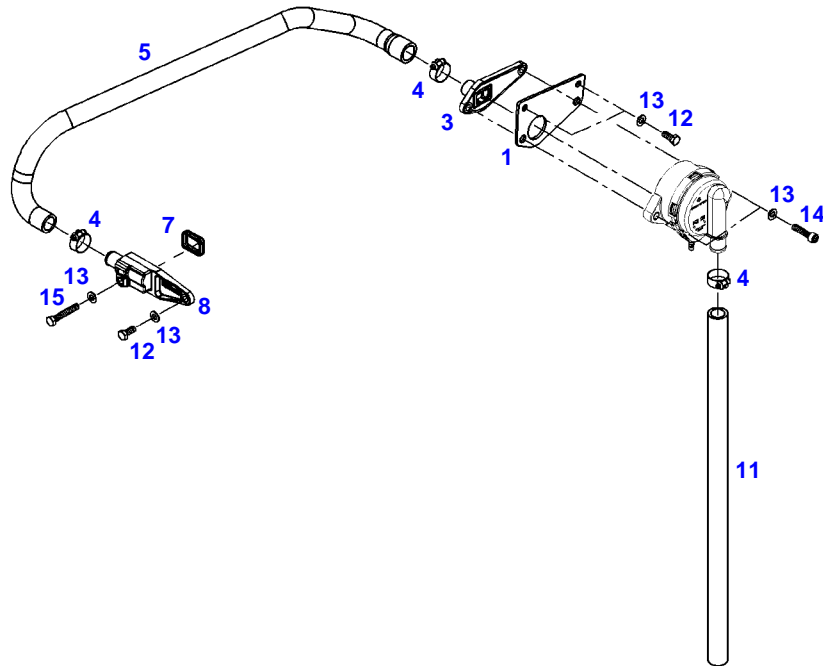
FENDT 714NA SCR (732/00101-99999)
41345



041345

| Item | Part Number | Qty | Description Comments | Technical Specification |
|------|-------------|-----|------------------------------|-------------------------|
| 4 | 72325453 | 1 | HEXAGONAL HEAD BOLT M8X50 | |
| 5 | 72455795 | 1 | SEAL | |
| 6 | 72437250 | 1 | BREATHER ><5 | |
| 7 | 72325293 | 2 | HEXAGONAL HEAD BOLT M8X30 | M8X30 |
| 8 | 72494112 | 1 | OIL RETURN LINE ><9-13,17 | |
| 9 | 72439873 | 2 | SEALING WASHER | |
| 10 | 72323517 | 1 | BANJO BOLT | |
| 11 | 72425772 | 2 | PIPE CLAMP | |
| 12 | 72494114 | 1 | RUBBER HOSE | |
| 13 | 72479013 | 1 | HOSE CLIP | |
| 14 | 72439874 | 1 | SEALING WASHER | |
| 15 | 72425770 | 1 | LOCK VALVE | |
| 16 | 72325457 | 1 | HEXAGONAL HEAD BOLT M8X40 | |
| 17 | 72416001 | 2 | RETAINING STRAP | |
| 18 | 72479013 | 1 | HOSE CLIP | |

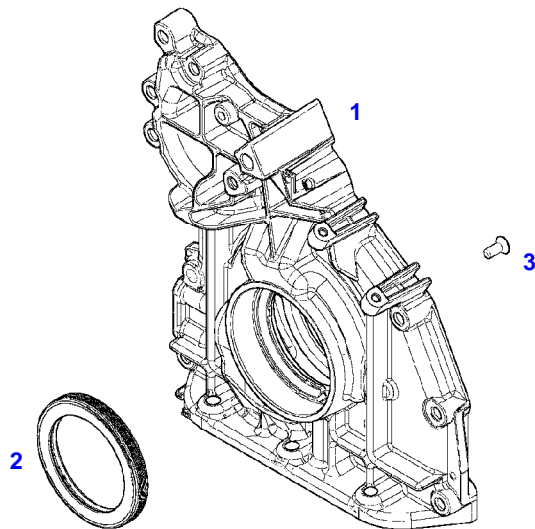
FENDT 714NA SCR (732/00101-99999)
38786



038786

| Item | Part Number | Qty | Description Comments | Technical Specification |
|----------------------|-------------|-----|-------------------------|-------------------------|
| BREATHER TUBE | | | | |
| 1 | 72442930 | 1 | RETAINER | |
| 3 | 72437633 | 1 | CONNECTING FLANGE | |
| 4 | 72311167 | 3 | HOSE CLIP | |
| 5 | 72442926 | 1 | HOSE | |
| 7 | 72455795 | 1 | SEAL | |
| 8 | 72455520 | 1 | ADAPTER | |
| 11 | 72495711 | 1 | HOSE | |
| 12 | 72315650 | 3 | HEXAGONAL HEAD BOLT | DIN 933 M8 X 20-8.8A3L |
| 13 | 72311788 | 6 | DISC | DIN 125-8,4-ST.A3L |
| 14 | 72315478 | 2 | SOCKET HEAD BOLT | DIN 912 M8X35-8.8 |
| 15 | 72315668 | 1 | HEXAGONAL HEAD BOLT | DIN 933 M8X50-8.8A3L |

FENDT 714NA SCR (732/00101-99999)
41199



041199

Thank you so much for reading.
Please click the “Buy Now!”
button below to download the
complete manual.



After you pay.

You can download the most
perfect and complete manual in
the world immediately.

Our support email:

ebooklibonline@outlook.com