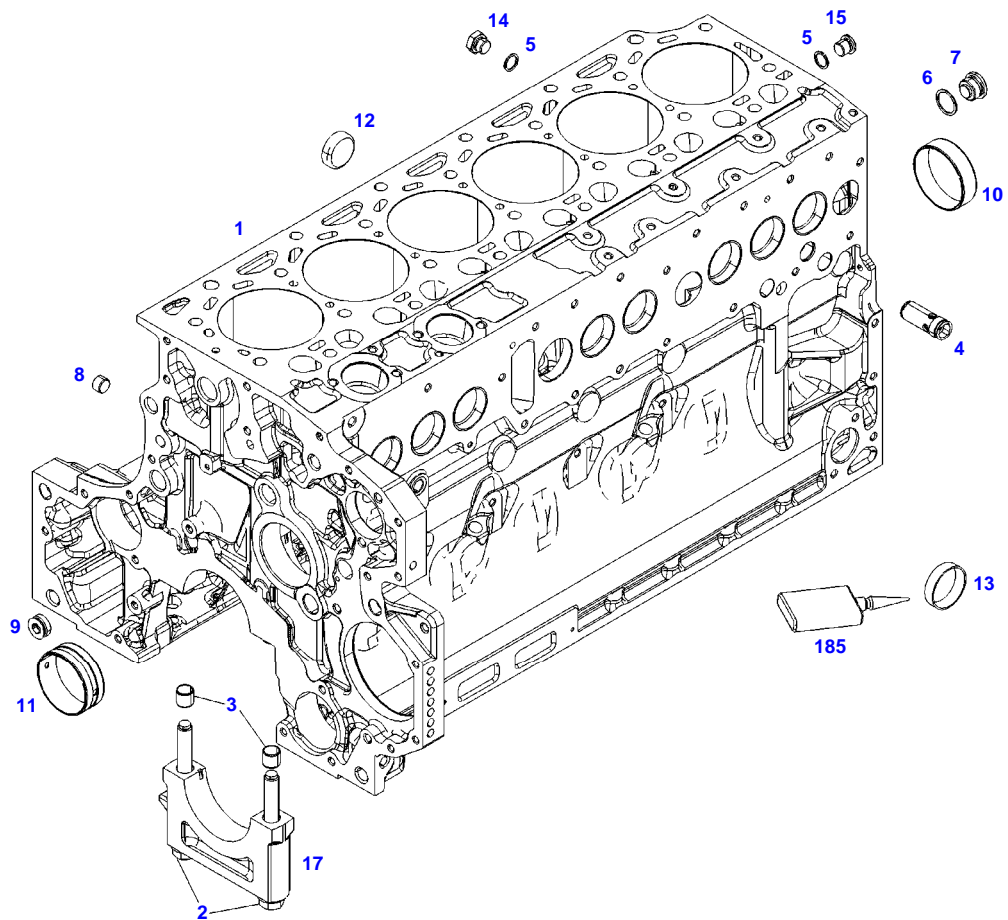


TABLE OF CONTENT

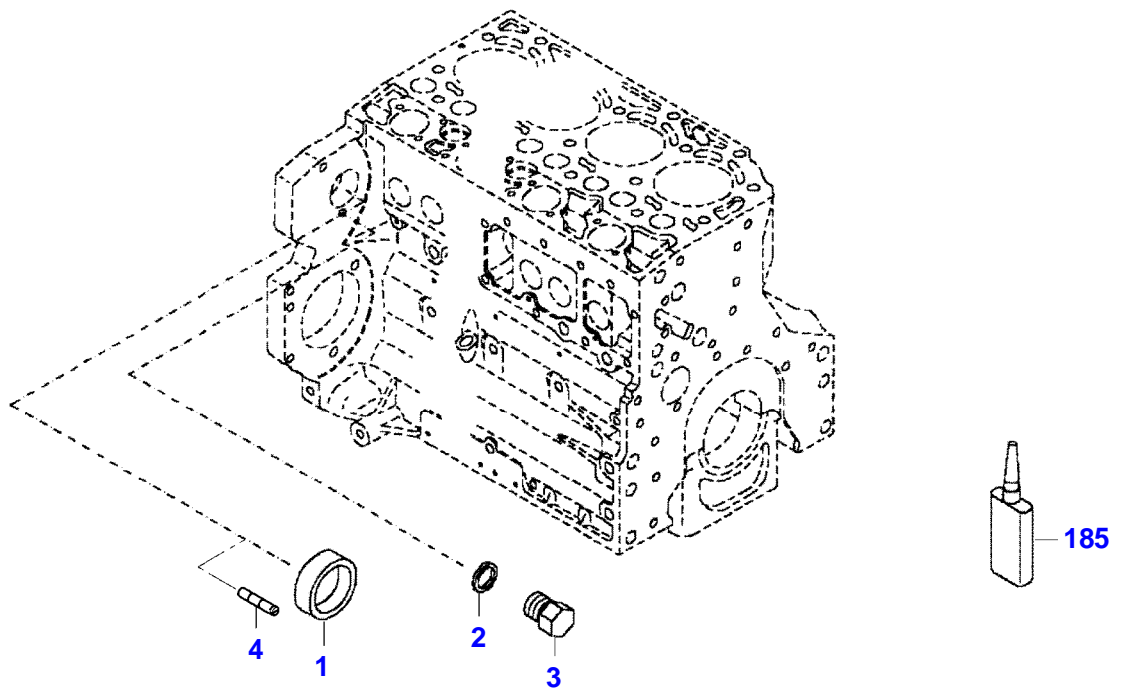
| Page Number | Page Title | Page Reference |
|--------------------|-------------------------------------|-----------------------|
| 01-000-TOC | ENGINE, FUEL AND EXHAUST SYSTEM | 01-000-TOC |
| 02-000-TOC | AXLES | 02-000-TOC |
| 03-000-TOC | STEERING SYSTEM | 03-000-TOC |
| 04-000-TOC | DRIVE TRAIN SYSTEM | 04-000-TOC |
| 05-000-TOC | COMPRESSED AIR SYSTEM | 05-000-TOC |
| 06-000-TOC | HYDRAULIC SYSTEM | 06-000-TOC |
| 07-000-TOC | ELECTRICAL SYSTEM | 07-000-TOC |
| 08-000-TOC | CAB | 08-000-TOC |
| 09-000-TOC | AIR CONDITIONING AND HEATING SYSTEM | 09-000-TOC |
| 10-000-TOC | CHASSIS | 10-000-TOC |
| 11-000-TOC | WHEELS | 11-000-TOC |
| 12-000-TOC | IMPLEMENT LIFT SYSTEM FRONT | 12-000-TOC |
| 13-000-TOC | IMPLEMENT LIFT SYSTEM REAR | 13-000-TOC |
| 14-000-TOC | LINKAGE | 14-000-TOC |
| 15-000-TOC | FRONT/REAR LOADERS | 15-000-TOC |
| 16-000-TOC | PRECISION FARMING SYSTEMS | 16-000-TOC |
| 17-000-TOC | ACCESSORIES | 17-000-TOC |



F061603

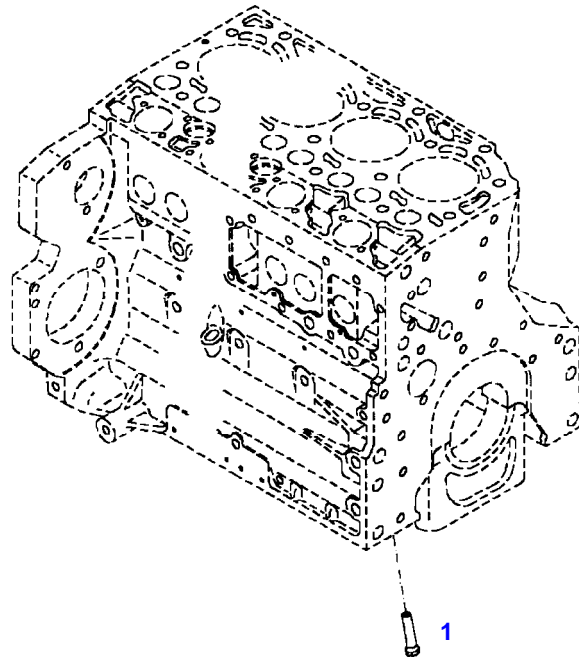


| Item | Part Number | Qty | Description Comments | Technical Specification |
|------|---------------|-----|-------------------------------|-------------------------|
| | | | FROM ENGINE S/N 12299951 | |
| 1 | F743200210170 | 1 | CRANKCASE | |
| 2 | F716201210030 | 14 | HEXAGONAL HEAD BOLT | |
| 3 | F395200210040 | 14 | ADAPTER BUSH | |
| 4 | F743200210190 | 1 | DISCHARGE VALVE | |
| 5 | F731200060160 | 3 | SEALING WASHER | DIN7603-14X18-CU-VERZ |
| 6 | F731200210190 | 1 | SEALING WASHER | |
| 7 | F731200210150 | 1 | PLUG SCREW | |
| 8 | F717200210040 | 1 | SCREW | M14X1,5 |
| 9 | F001200210030 | 1 | LOCKING PLUG | |
| 10 | ACP0152940 | 6 | FEMALE BEARING | |
| 11 | ACP0152930 | 1 | FEMALE BEARING | |
| 12 | F119200210070 | 9 | CORE HOLE PLUG | |
| 13 | F119200210080 | 6 | CORE HOLE PLUG | |
| 14 | X494203800000 | 3 | PLUG | DIN 7604 AM14X1,5-A3L |
| 15 | X483800800000 | 1 | PLUG SCREW | DIN 908 M14X1,5-ST |
| 17 | | | | |
| | | | NOT AVAILABLE IN SINGLE PARTS | |
| 185 | F716201210220 | 1 | SAFE.LOCK AGENT | |



432327-M-1

| Item | Part Number | Qty | Description Comments | Technical Specification |
|-----------------------|---------------|-----|--|-------------------------|
| BLANKING PARTS | | | | |
| 1 | F416200210110 | 1 | CORE HOLE PLUG UP TO ENGINE NUMBER 11981720 | |
| | F842201210130 | 1 | CAP COVER FROM ENGINE S/N 11981721 | |
| 2 | X540002478000 | 2 | SEALING WASHER | DIN 7603 A10X13,5-CU |
| 3 | F100001215567 | 2 | PLUG | |
| 4 | F438200210170 | 2 | THREADED PIN UP TO ENGINE S/N 12473740 | |
| | F438200210390 | 2 | PLUG SCREW STARTING FROM ENGINE SERIAL NUMBER 12473741 | |
| 185 | F119200210850 | 1 | SAFE.LOCK AGENT UP TO ENGINE NUMBER 11981720 | |
| | F339202710350 | 1 | INSTALLATION AIDS FROM ENGINE S/N 11981721 | |



7600E0

Fendt

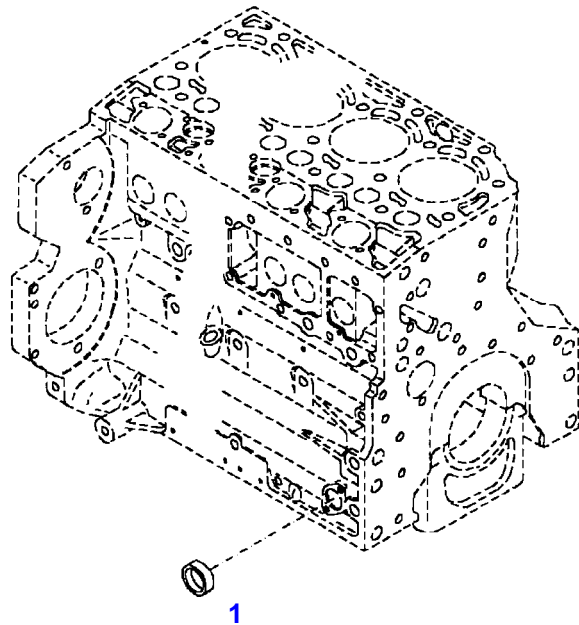
FENDT 714 S4 (NON SCR) (738/01001-06000) (WAM738XXX00F06001-99999)

F738003

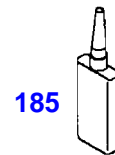
CRANKCASE

Page01-0008

| Item | Part Number | Qty | Description Comments |
|------|---------------|-----|-------------------------|
| | | | PISTON COOL.NOZZLE |
| 1 | F716201210070 | 6 | PISTON COOLING JET |



040194



Fendt

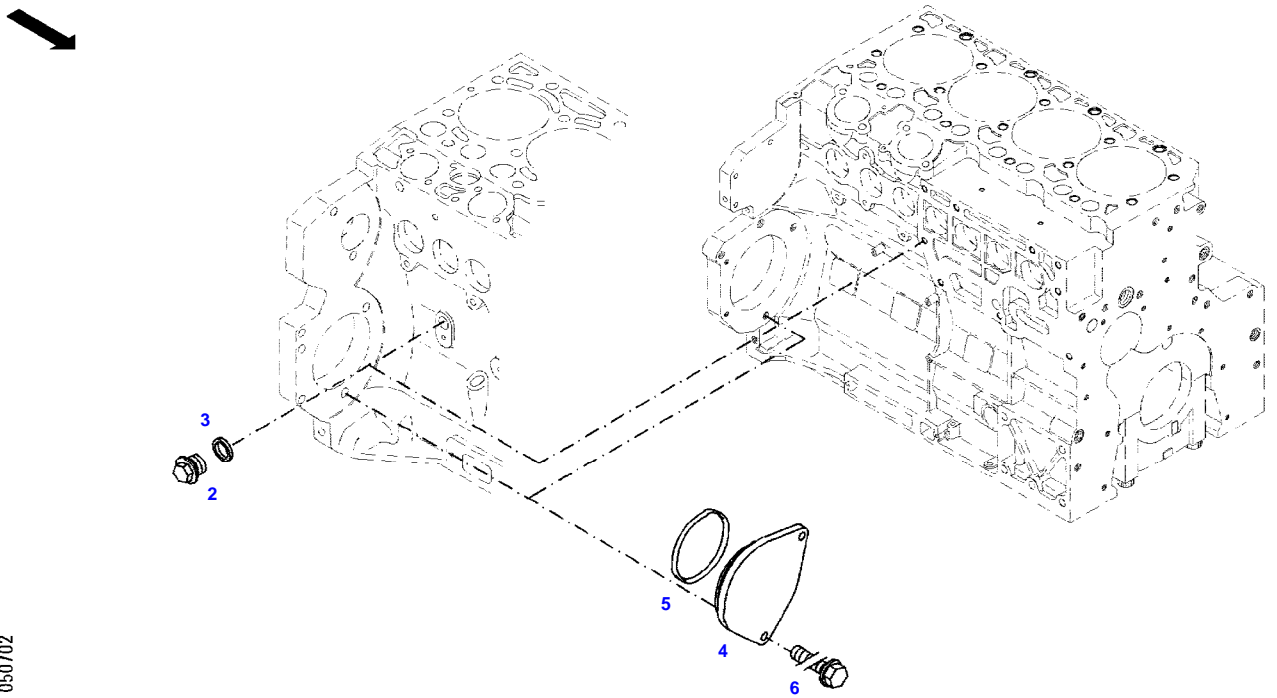
FENDT 714 S4 (NON SCR) (738/01001-06000) (WAM738XXX00F06001-99999)

F738003

CRANKCASE

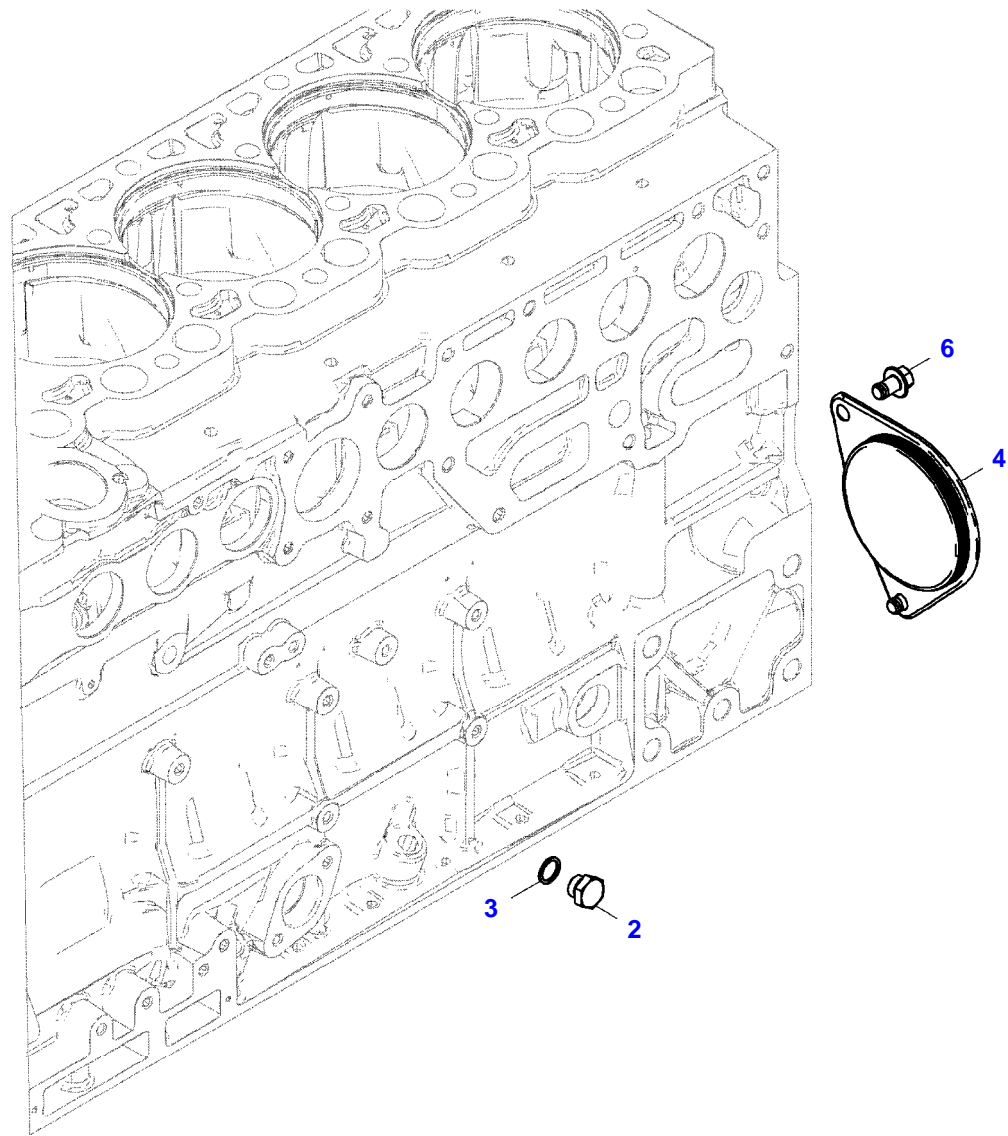
Page01-0009

| Item | Part Number | Qty | Description Comments |
|------|---------------|-----|--|
| | | | LOCKING PLUG |
| 1 | F119200210080 | 1 | CORE HOLE PLUG UP TO ENGINE NUMBER 11981720 |
| | F842201210140 | 1 | CAP COVER FROM ENGINE S/N 11981721 |
| 185 | F119200210850 | 1 | SAFE.LOCK AGENT UP TO ENGINE NUMBER 11981720 |
| | F339202710350 | 1 | INSTALLATION AIDS FROM ENGINE S/N 11981721 |



050702

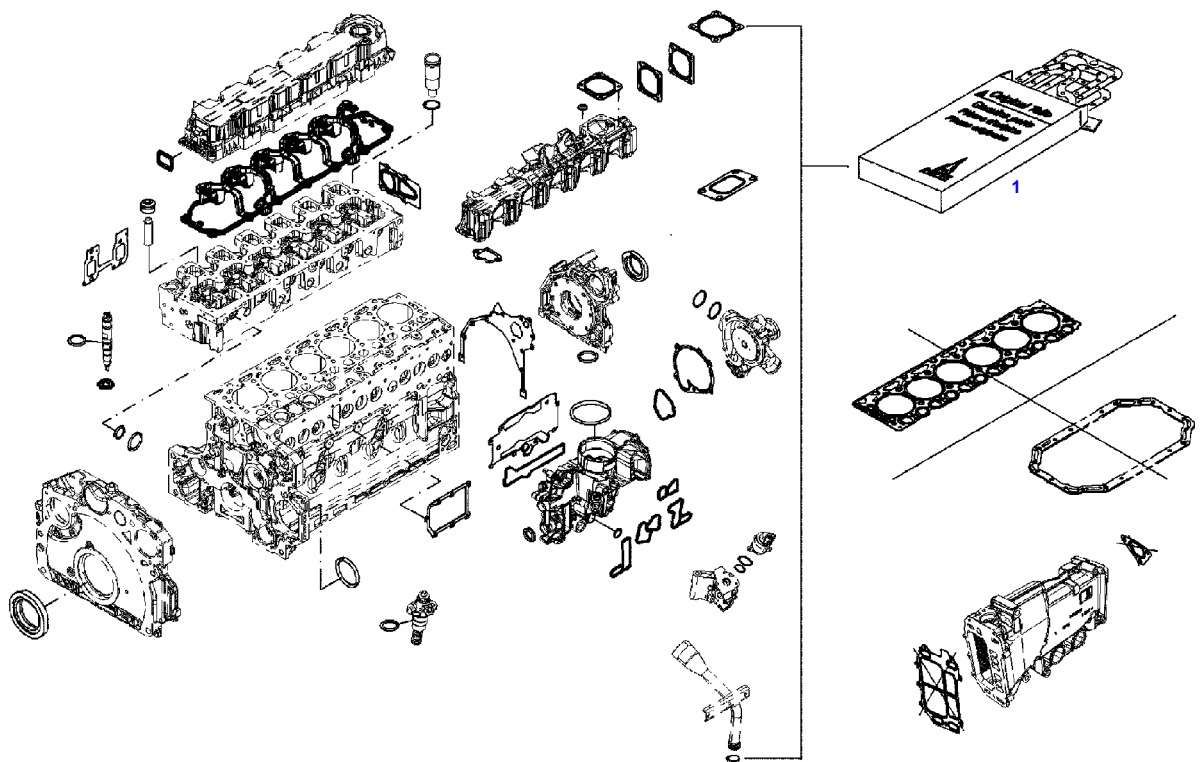
| Item | Part Number | Qty | Description Comments | Technical Specification |
|-----------------------|---------------|-----|---|-------------------------|
| BLANKING PARTS | | | | |
| 2 | X494203800000 | 1 | PLUG NOT NEEDED WITH AIR BRAKE | DIN 7604 AM14X1,5-A3L |
| 3 | F731200060160 | 1 | SEALING WASHER NOT NEEDED WITH AIR BRAKE | DIN7603-14X18-CU-VERZ |
| 4 | F412201210020 | 1 | COVER NOT NEEDED WITH AIR BRAKE | |
| 5 | F716201210090 | 1 | SEAL 96X4MM NOT NEEDED WITH AIR BRAKE | |
| 6 | F339900040220 | 1 | HEXAGONAL HEAD BOLT NOT NEEDED WITH AIR BRAKE UP TO 2017-08 | M10X20 |
| | F438200210220 | 1 | HEXAGONAL HEAD BOLT NOT NEEDED WITH AIR BRAKE FROM 2017-09 | M10X16 |



25548786-M-1

| Item | Part Number | Qty | Description Comments | Technical Specification |
|------|---------------|-----|--|-------------------------|
| | | | BLANKING PARTS FROM ENGINE S/N 12163344 | |
| 2 | F954200210410 | 1 | PLUG SCREW NOT NEEDED WITH AIR BRAKE | |
| 3 | F731200060160 | 1 | SEALING WASHER NOT NEEDED WITH AIR BRAKE | DIN7603-14X18-CU-VERZ |
| 4 | F438200210380 | 1 | COVER NOT NEEDED WITH AIR BRAKE | |
| 6 | F438200210220 | 2 | HEXAGONAL HEAD BOLT | M10X16 |

051161



Fendt

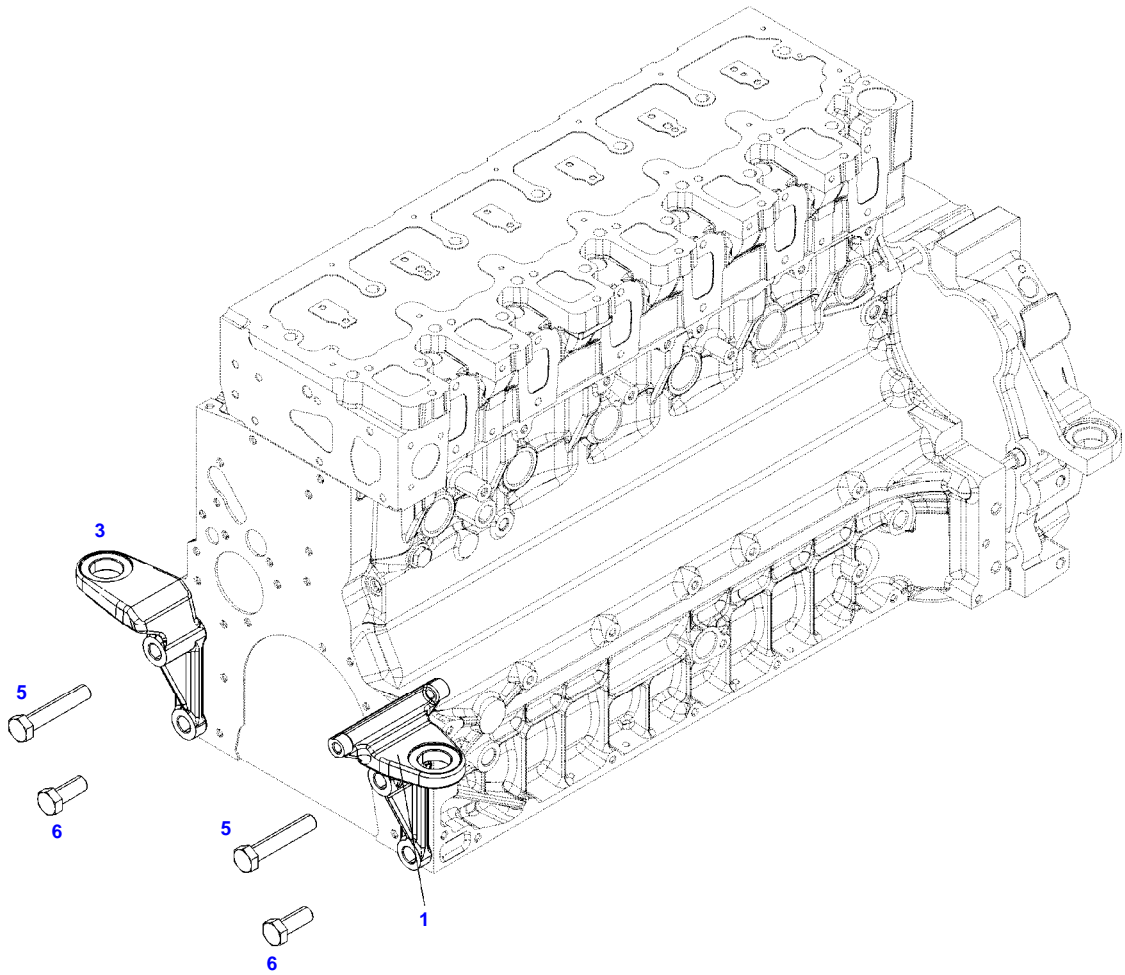
FENDT 714 S4 (NON SCR) (738/01001-06000) (WAM738XXX00F06001-99999)

F738003

SET OF GASKETS - MOTOR

Page01-0012

| Item | Part Number | Qty | Description Comments |
|------|---------------|-----|--|
| 1 | F743200210040 | 1 | SEAL KIT WITHOUT CYLINDER HEAD GASKET |



051220



Fendt

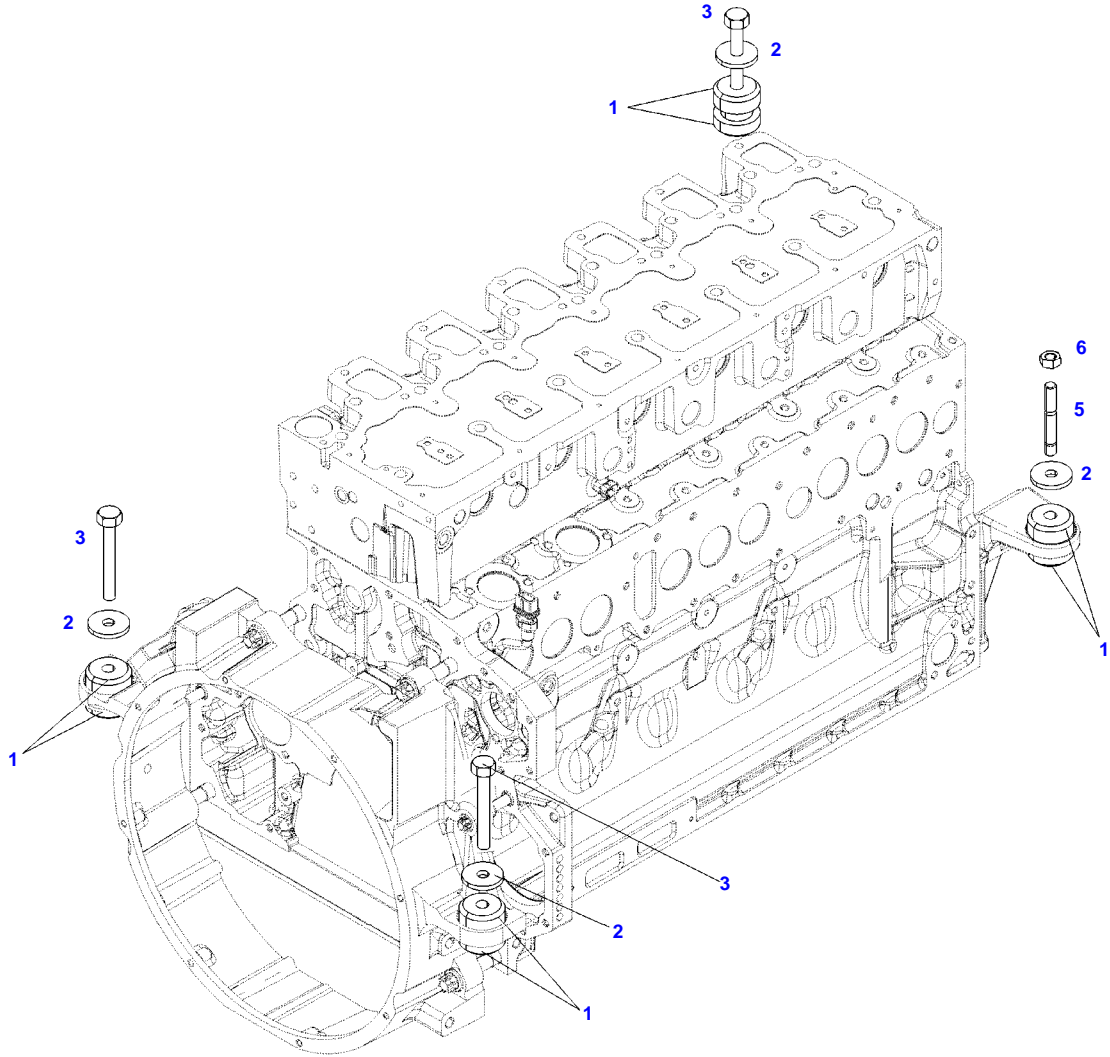
FENDT 714 S4 (NON SCR) (738/01001-06000) (WAM738XXX00F06001-99999)

F738003

ENGINE MOUNTINGS

Page01-0013

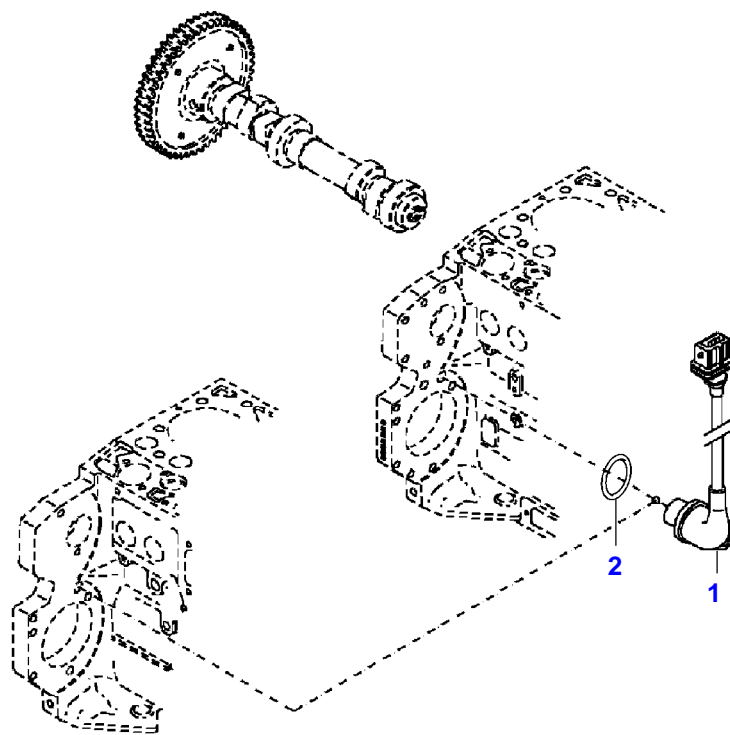
| Item | Part Number | Qty | Description Comments | Technical Specification |
|------|---------------|-----|-------------------------|-------------------------|
| 1 | 416200010070 | 1 | ENGINE SUSPENSION | LI |
| 3 | 743200011011 | 1 | ENGINE SUSPENSION | R |
| 5 | X486546406000 | 2 | HEXAGONAL HEAD BOLT | DIN 931-M16X85 GWA-10.9 |
| 6 | X487545200000 | 2 | HEXAGONAL HEAD BOLT | DIN 933 M16X40 GWA-10.9 |



051219



| Item | Part Number | Qty | Description Comments | Technical Specification |
|-------------|--------------------|------------|---------------------------------|--------------------------------|
| 1 | H716201010100 | 4 | ENGINE MOUNT | |
| 2 | 716200010010 | 4 | DISC | |
| 3 | X486536641000 | 3 | HEXAGONAL HEAD BOLT | DIN 931 M12X80-8.8A3L |
| 5 | X489136400000 | 1 | SCREW | DIN 939 M12X70-8.8 A3L |
| 6 | X428203239000 | 1 | NUT | DIN 934 M12-8A3L |



431755-M-1

Fendt

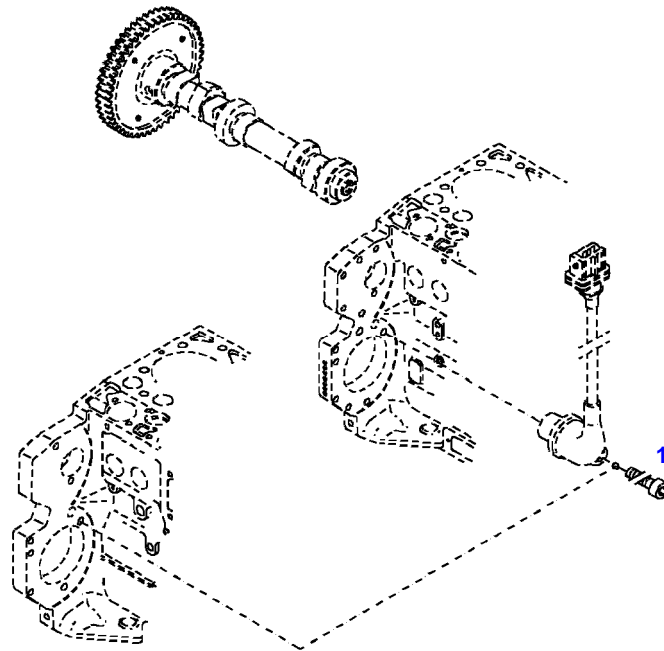
FENDT 714 S4 (NON SCR) (738/01001-06000) (WAM738XXX00F06001-99999)

F738003

TRANSMITTER

Page01-0015

| Item | Part Number | Qty | Description Comments |
|------|---------------|-----|-------------------------|
| | | | ENGINE SPEED EDC |
| 1 | F842200210010 | 1 | TRANSMITTER |
| 2 | F842200210020 | 1 | O-RING |



035317

Fendt

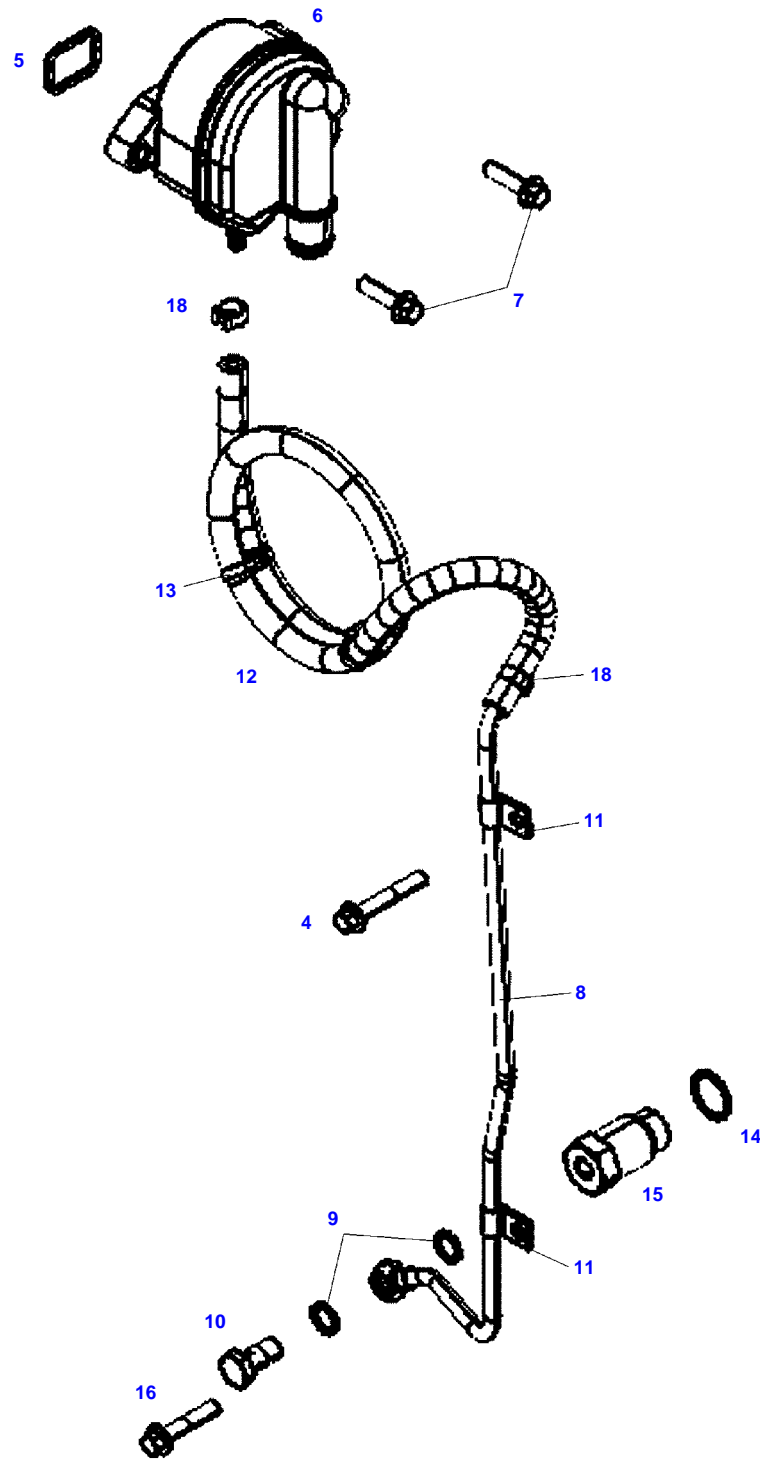
FENDT 714 S4 (NON SCR) (738/01001-06000) (WAM738XXX00F06001-99999)

F738003

TRANSMITTER

Page01-0016

| Item | Part Number | Qty | Description Comments | Technical Specification |
|------|---------------|-----|----------------------------|-------------------------|
| | | | ENGINE SPEED FASTENINGS | |
| 1 | X485004405000 | 1 | SOCKET HEAD BOLT | DIN 912 M6X16-8.8 |

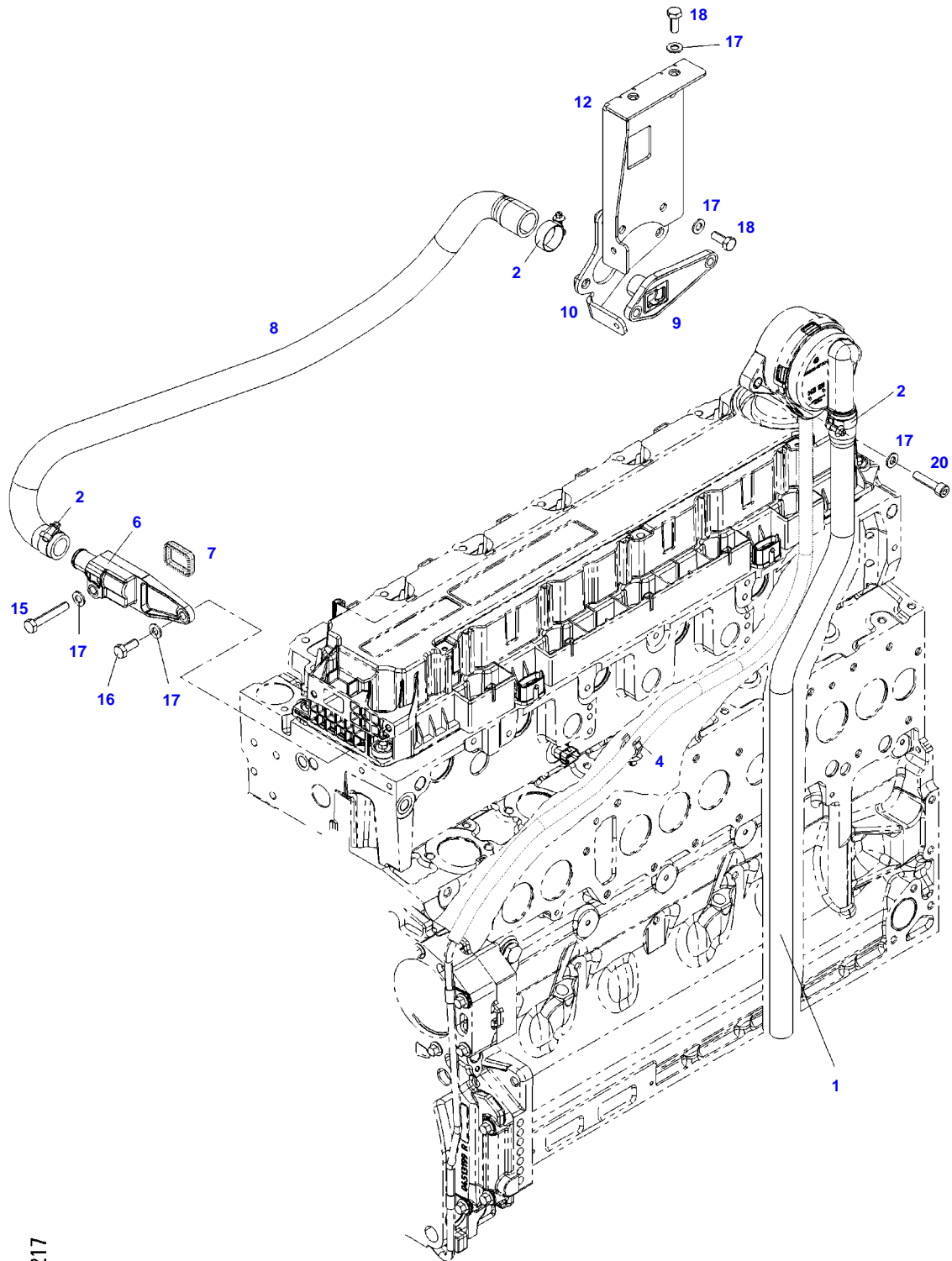


F060828



CRANKCASE BREATHER

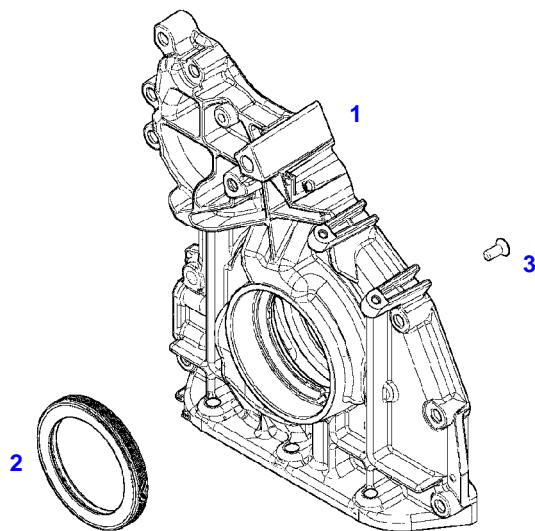
| Item | Part Number | Qty | Description Comments | Technical Specification |
|------|---------------|-----|------------------------------|-------------------------|
| 4 | F119200510110 | 1 | HEXAGONAL HEAD BOLT | |
| 5 | 725200010251 | 1 | SEAL | |
| 6 | F339202210280 | 1 | BREATHER ><5 | |
| 7 | F119200090080 | 2 | HEXAGONAL HEAD BOLT M8X30 | M8X30 |
| 8 | F743200210050 | 1 | OIL RETURN LINE ><9-13 | |
| 9 | F731200210180 | 2 | SEALING WASHER | |
| 10 | F100001119241 | 1 | BANJO BOLT | |
| 11 | F716201210630 | 2 | PIPE CLAMP | |
| 12 | F836200210050 | 1 | RUBBER HOSE | |
| 13 | F149200090100 | 2 | RETAINING STRAP | |
| 14 | F731200210190 | 1 | SEALING WASHER | |
| 15 | F716201210610 | 1 | LOCK VALVE | |
| 16 | F119200510150 | 1 | HEXAGONAL HEAD BOLT M8X40 | |
| 18 | F731200210200 | 2 | HOSE CLIP | |



051217



| Item | Part Number | Qty | Description Comments | Technical Specification |
|----------------------|---------------|-----|-------------------------|-------------------------|
| BREATHER TUBE | | | | |
| 1 | 743200011031 | 1 | HOSE | |
| 2 | X458651300000 | 3 | HOSE CLIP | |
| 4 | X668465900000 | 1 | CLIP | SCHLAUCH POM |
| 6 | H725200010031 | 1 | ADAPTER | |
| 7 | 725200010251 | 1 | SEAL | |
| 8 | 743200011022 | 1 | HOSE | |
| 9 | H725200010040 | 1 | CONNECTING FLANGE | |
| 10 | H743200011041 | 1 | BRACKET | |
| 12 | H743200011030 | 1 | BRACKET | |
| 15 | X487528441000 | 1 | HEXAGONAL HEAD BOLT | DIN 933 M8X45-8.8A3L |
| 16 | X487527741000 | 1 | HEXAGONAL HEAD BOLT | DIN 933 M8 X 20-8.8A3L |
| 17 | X520803901000 | 8 | SPLIT WASHER | FWN 65208-8-A3L |
| 18 | X487526841000 | 4 | HEXAGONAL HEAD BOLT | DIN 933 M8 X 16-8.8A3L |
| 20 | X485007705000 | 2 | SOCKET HEAD BOLT | DIN 912 M8X35-8.8 |



041199

Fendt

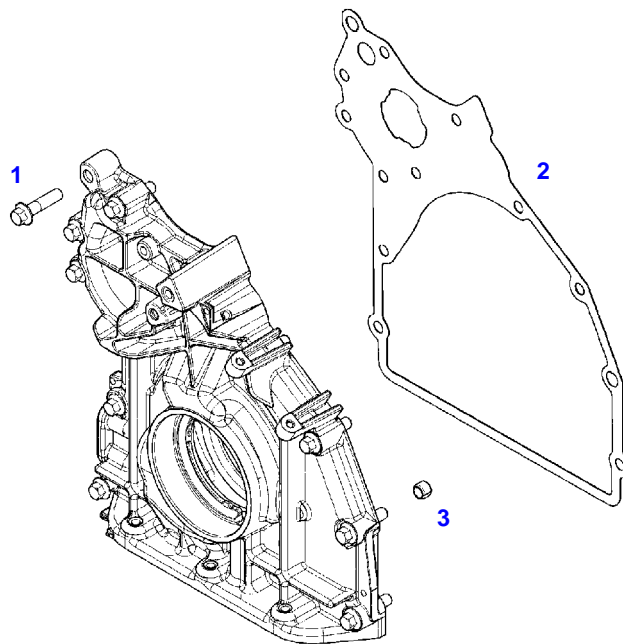
FENDT 714 S4 (NON SCR) (738/01001-06000) (WAM738XXX00F06001-99999)

F738003

FRONT COVER

Page01-0019

| Item | Part Number | Qty | Description Comments |
|------|---------------|-----|---|
| | | | INTEGRATED OIL PUMP |
| 1 | F836200210540 | 1 | CRANKCASE END COVER INTEGRATED OIL PUMP ><2,3 |
| 2 | F836200210080 | 1 | SHAFT SEAL |
| 3 | F411201210080 | 8 | COUNTERSUNK CAPSCREW M6X16 |



041243

Fendt

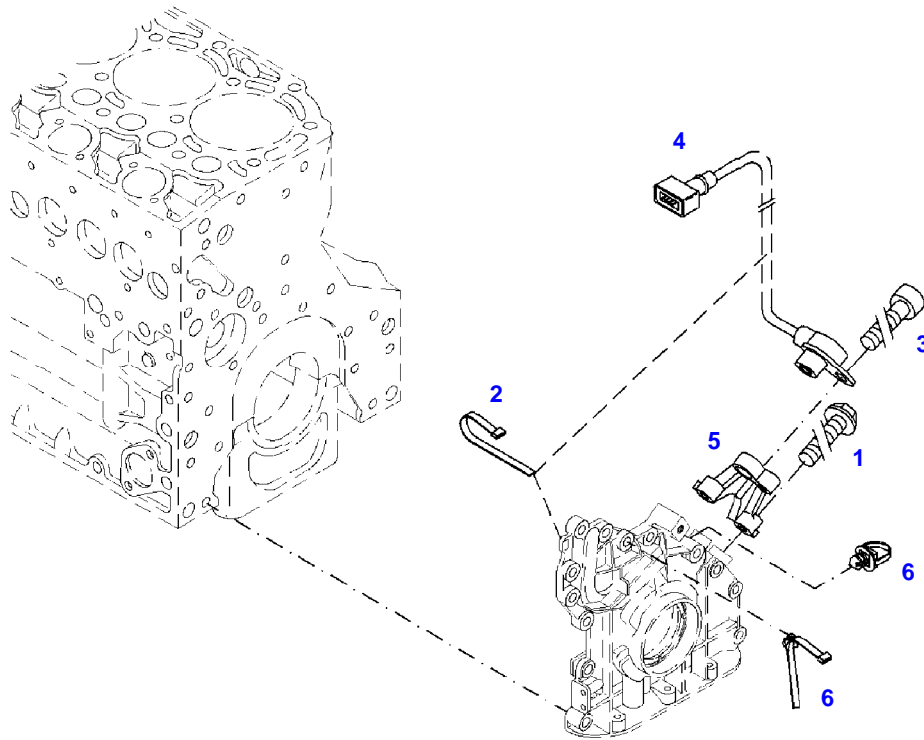
FENDT 714 S4 (NON SCR) (738/01001-06000) (WAM738XXX00F06001-99999)

F738003

FRONT COVER

Page01-0020

| Item | Part Number | Qty | Description Comments | Technical Specification |
|-------------------|---------------|-----|------------------------------|-------------------------|
| FASTENINGS | | | | |
| 1 | F416200210030 | 12 | HEXAGONAL HEAD BOLT M8X35 | M8X35 |
| 2 | F836200210300 | 1 | SEAL | |
| 3 | F119200210340 | 1 | TENSIONER BUSH | |



041001

Fendt

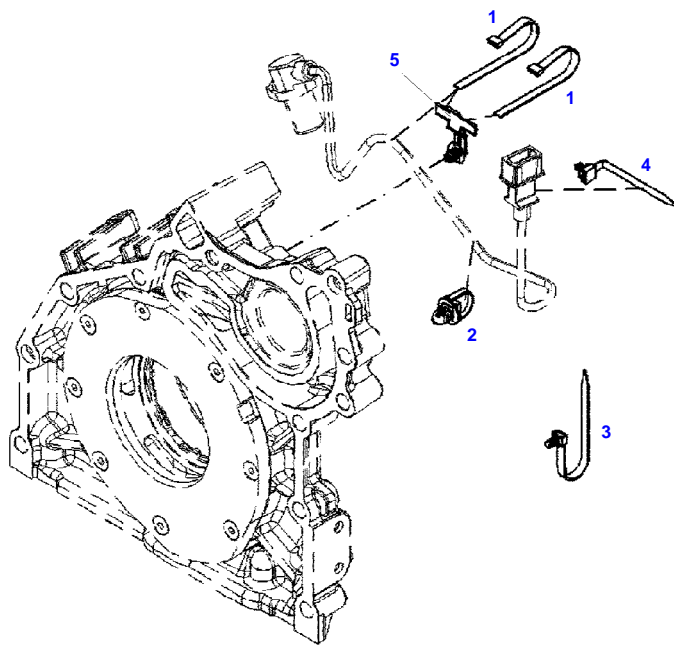
FENDT 714 S4 (NON SCR) (738/01001-06000) (WAM738XXX00F06001-99999)

F738003

TRANSMITTER

Page01-0021

| Item | Part Number | Qty | Description Comments | Technical Specification |
|------|---------------|-----|------------------------------------|-------------------------|
| | | | ENGINE SPEED EDC | |
| 1 | F339202210170 | 2 | HEXAGONAL HEAD BOLT M6X30 | |
| 2 | F149200090100 | 3 | RETAINING STRAP | |
| 3 | X485004405000 | 1 | SOCKET HEAD BOLT | DIN 912 M6X16-8.8 |
| 4 | F339202210180 | 1 | TRANSMITTER ENGINE SPEED EDC | |
| 5 | F731200210250 | 1 | RETAINER | |
| 6 | F731200210170 | 2 | RETAINING STRAP | |



050763

Fendt

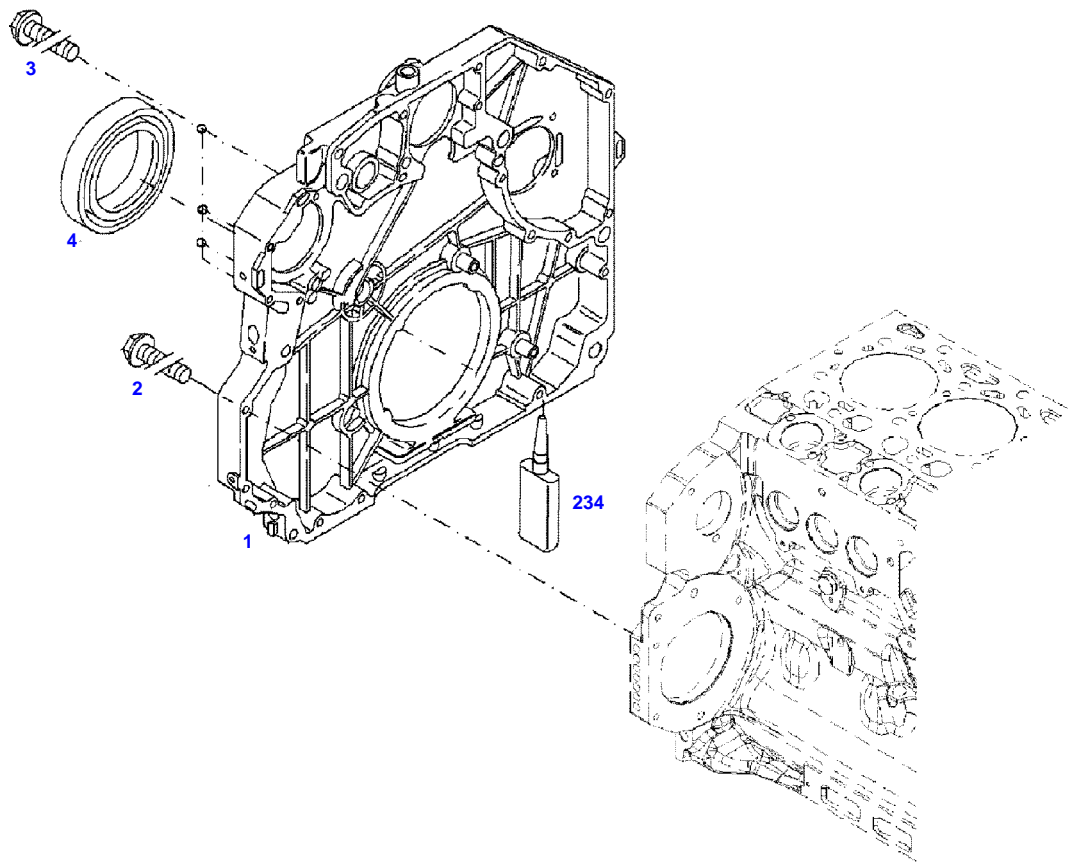
FENDT 714 S4 (NON SCR) (738/01001-06000) (WAM738XXX00F06001-99999)

F738003

TRANSMITTER

Page01-0022

| Item | Part Number | Qty | Description Comments |
|------|---------------|-----|-----------------------------------|
| | | | ENGINE SPEED EDC FASTENINGS |
| 1 | F149200090100 | 2 | RETAINING STRAP |
| 2 | F731200210170 | 1 | RETAINING STRAP |
| 3 | F946900040050 | 1 | RETAINING STRAP |
| 4 | F339900040110 | 1 | RETAINING STRAP |
| 5 | F842900040290 | 1 | PLASTIC CLIP |



F060471

Fendt

FENDT 714 S4 (NON SCR) (738/01001-06000) (WAM738XXX00F06001-99999)

F738003

GEARCASE

Page01-0023

| Item | Part Number | Qty | Description Comments | Technical Specification |
|------|---------------|-----|---|-------------------------|
| 1 | F743200210060 | 1 | WHEEL BOX UP TO ENGINE S/N 12081542 | |
| | F438200210120 | 1 | WHEEL BOX UP TO ENGINE S/N 12081543 | |
| 2 | F416200210030 | 12 | HEXAGONAL HEAD BOLT M8X35 | M8X35 |
| 3 | F119200210700 | 4 | HEXAGONAL HEAD BOLT M8X45 | M8X45 |
| 4 | F836200210090 | 1 | SHAFT SEAL | |
| 234 | F119200211270 | 1 | SEALING COMPOUND | |

Thank you so much for reading.
Please click the “Buy Now!”
button below to download the
complete manual.



After you pay.

You can download the most
perfect and complete manual in
the world immediately.

Our support email:

ebooklibonline@outlook.com