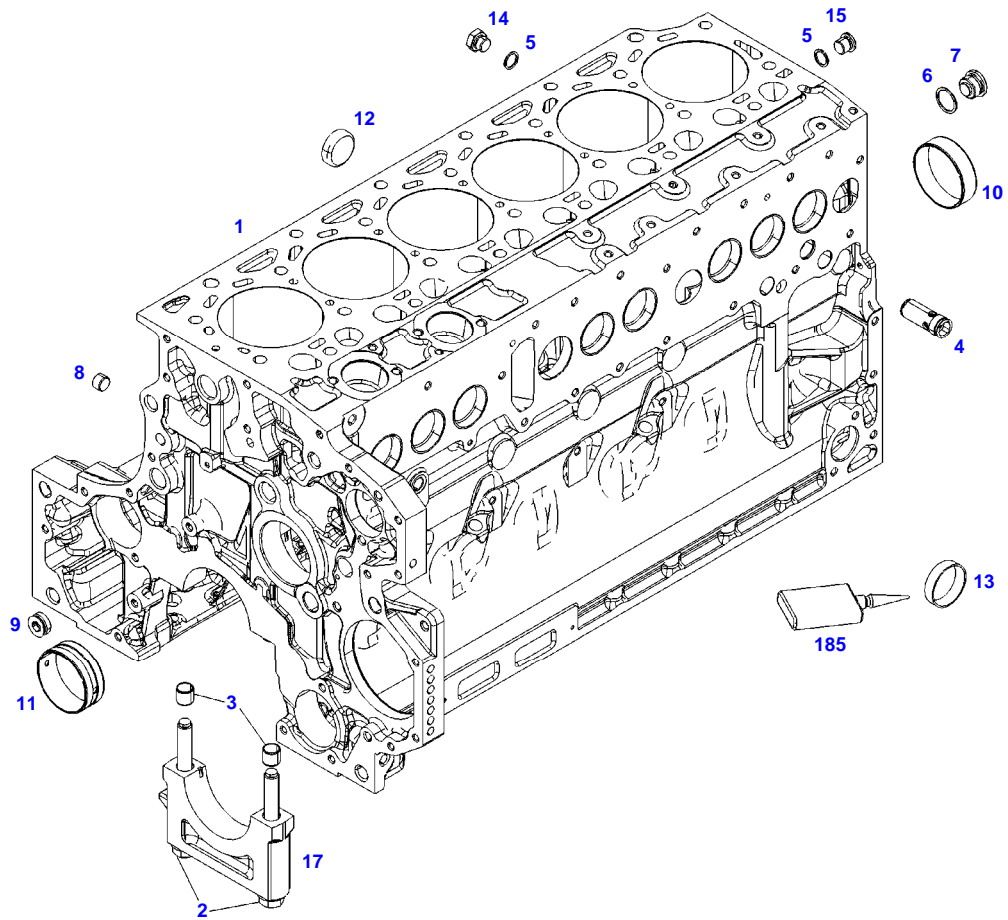


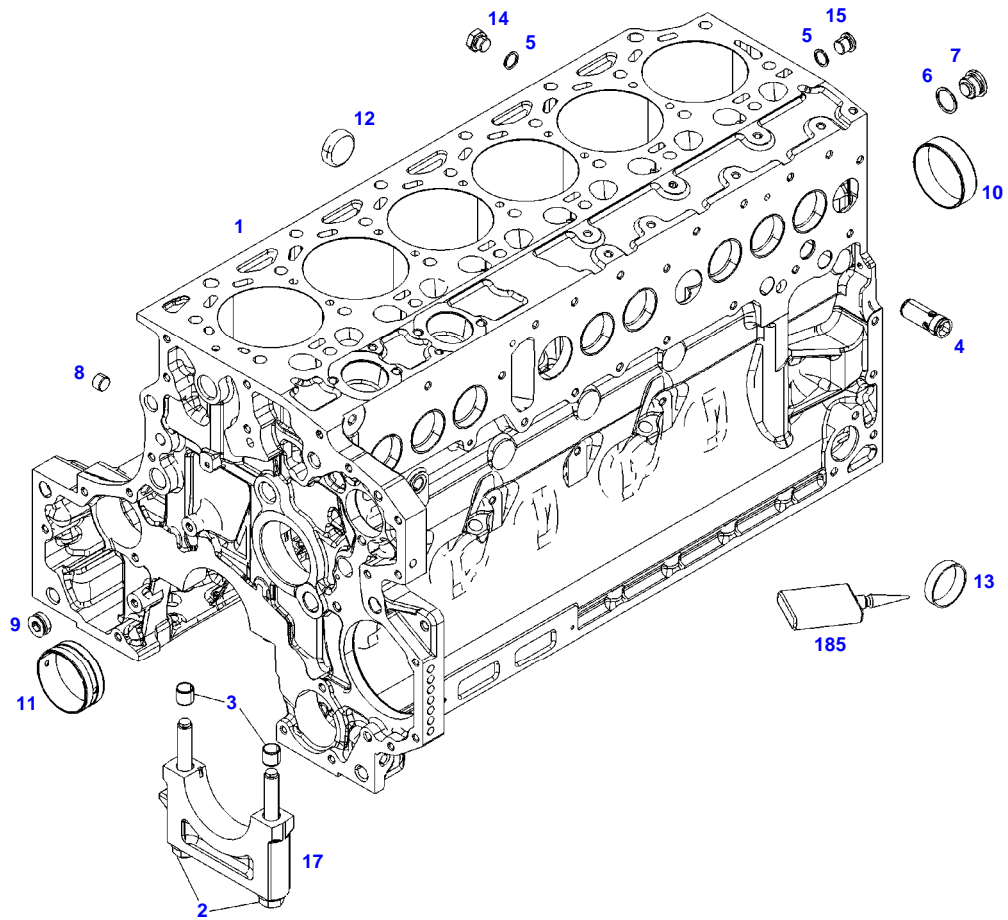
Page Number	Page Title	Page Reference
01-000-TOC	ENGINE, FUEL AND EXHAUST SYSTEM	01-000-TOC
02-000-TOC	AXLES	02-000-TOC
03-000-TOC	STEERING SYSTEM	03-000-TOC
04-000-TOC	DRIVE TRAIN SYSTEM	04-000-TOC
05-000-TOC	COMPRESSED AIR SYSTEM	05-000-TOC
06-000-TOC	HYDRAULIC SYSTEM	06-000-TOC
07-000-TOC	ELECTRICAL SYSTEM	07-000-TOC
08-000-TOC	CAB	08-000-TOC
09-000-TOC	AIR CONDITIONING AND HEATING SYSTEM	09-000-TOC
10-000-TOC	CHASSIS	10-000-TOC
11-000-TOC	WHEELS	11-000-TOC
12-000-TOC	IMPLEMENT LIFT SYSTEM FRONT	12-000-TOC
13-000-TOC	IMPLEMENT LIFT SYSTEM REAR	13-000-TOC
14-000-TOC	LINKAGE	14-000-TOC
15-000-TOC	FRONT/REAR LOADERS	15-000-TOC
16-000-TOC	PRECISION FARMING SYSTEMS	16-000-TOC
17-000-TOC	ACCESSORIES	17-000-TOC



F061603



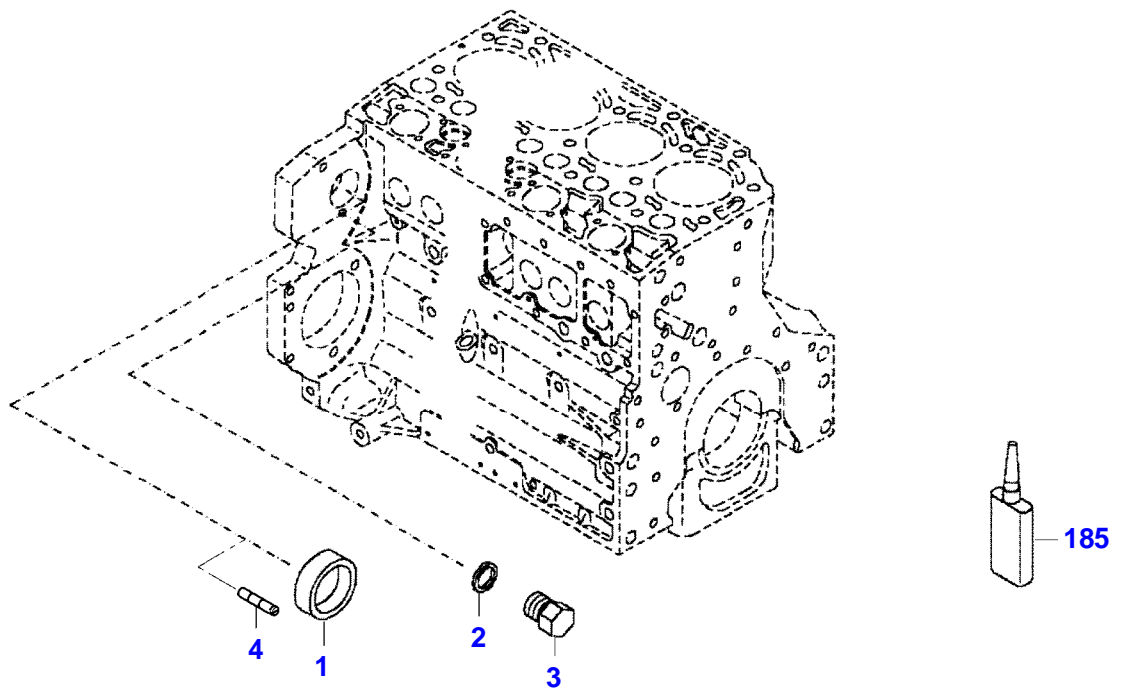
Item	Part Number	Qty	Description Comments	Technical Specification
			ENGINE <-- 11922235 --> 12299950	
	72624068	1	ENGINE UP TO MACHINE S/N WAM741XXX00F09000	TCD6.1L6
1	72627713	1	CRANKCASE	
2	72416467	14	HEXAGONAL HEAD BOLT	
3	72344342	14	ADAPTER BUSH	
4	72628299	1	DISCHARGE VALVE	
5	72439867	3	SEALING WASHER	DIN7603-14X18-CU-VERZ
6	72439874	1	SEALING WASHER	
7	72455559	1	PLUG SCREW	
8	72429347	1	SCREW	M14X1,5
9	72431135	1	LOCKING PLUG	
10	ACP0152940	6	FEMALE BEARING	
11	ACP0152930	1	FEMALE BEARING	
12	72325325	9	CORE HOLE PLUG	
13	72325326	6	CORE HOLE PLUG	
14	72315799	3	PLUG	DIN 7604 AM14X1,5-A3L
15	72315438	1	PLUG SCREW	DIN 908 M14X1,5-ST
17			NOT AVAILABLE IN SINGLE PARTS	
185	72416485	1	SAFE.LOCK AGENT	



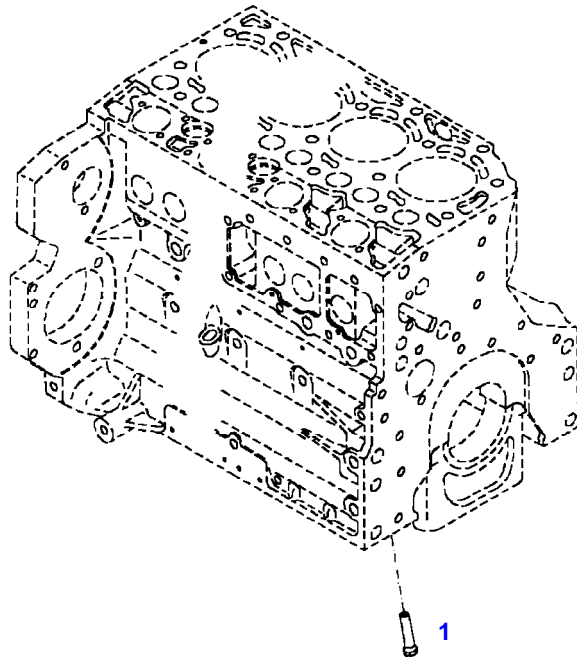
F061603



Item	Part Number	Qty	Description Comments	Technical Specification
			FROM ENGINE S/N 12299951	
	72649935	1	ENGINE FROM MACHINE S/N WAM741XXX00F09001	TCD6.1L6
1	72627713	1	CRANKCASE	
2	72416467	14	HEXAGONAL HEAD BOLT	
3	72344342	14	ADAPTER BUSH	
4	72628299	1	DISCHARGE VALVE	
5	72439867	3	SEALING WASHER	DIN7603-14X18-CU-VERZ
6	72439874	1	SEALING WASHER	
7	72455559	1	PLUG SCREW	
8	72429347	1	SCREW	M14X1,5
9	72431135	1	LOCKING PLUG	
10	ACP0152940	6	FEMALE BEARING	
11	ACP0152930	1	FEMALE BEARING	
12	72325325	9	CORE HOLE PLUG	
13	72325326	6	CORE HOLE PLUG	
14	72315799	3	PLUG	DIN 7604 AM14X1,5-A3L
15	72315438	1	PLUG SCREW	DIN 908 M14X1,5-ST
17			NOT AVAILABLE IN SINGLE PARTS	
185	72416485	1	SAFE.LOCK AGENT	



Item	Part Number	Qty	Description Comments	Technical Specification
BLANKING PARTS				
1	72627515	1	CORE HOLE PLUG UP TO ENGINE NUMBER 11981720	
	72628071	1	CAP COVER FROM ENGINE S/N 11981721	
2	72315088	2	SEALING WASHER	DIN 7603 A10X13,5-CU
3	72323677	2	PLUG	
4	72631860	2	THREADED PIN UP TO ENGINE S/N 12473740	
	72657969	2	PLUG SCREW STARTING FROM ENGINE SERIAL NUMBER 12473741	
185	72325403	1	SAFE.LOCK AGENT UP TO ENGINE NUMBER 11981720	
	72493900	1	INSTALLATION AIDS FROM ENGINE S/N 11981721	



7600E0

Fendt

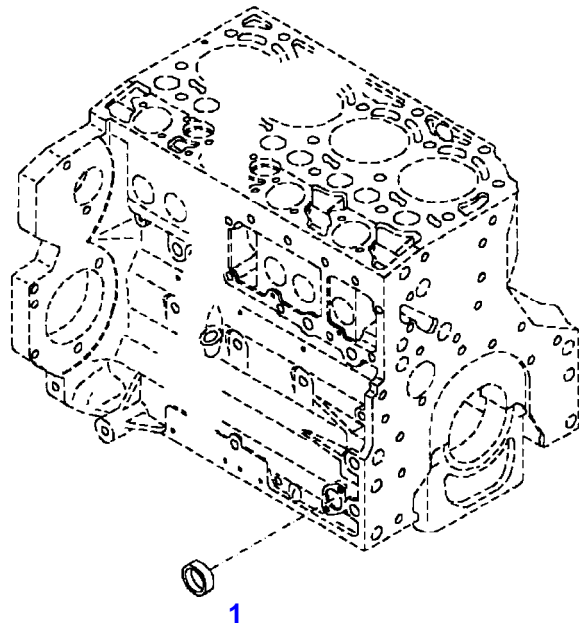
FENDT 720 S4 (741/00101-06000) (WAM741XXX00F06001-99999)

F741000

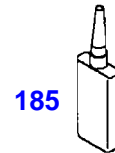
CRANKCASE

Page01-0008

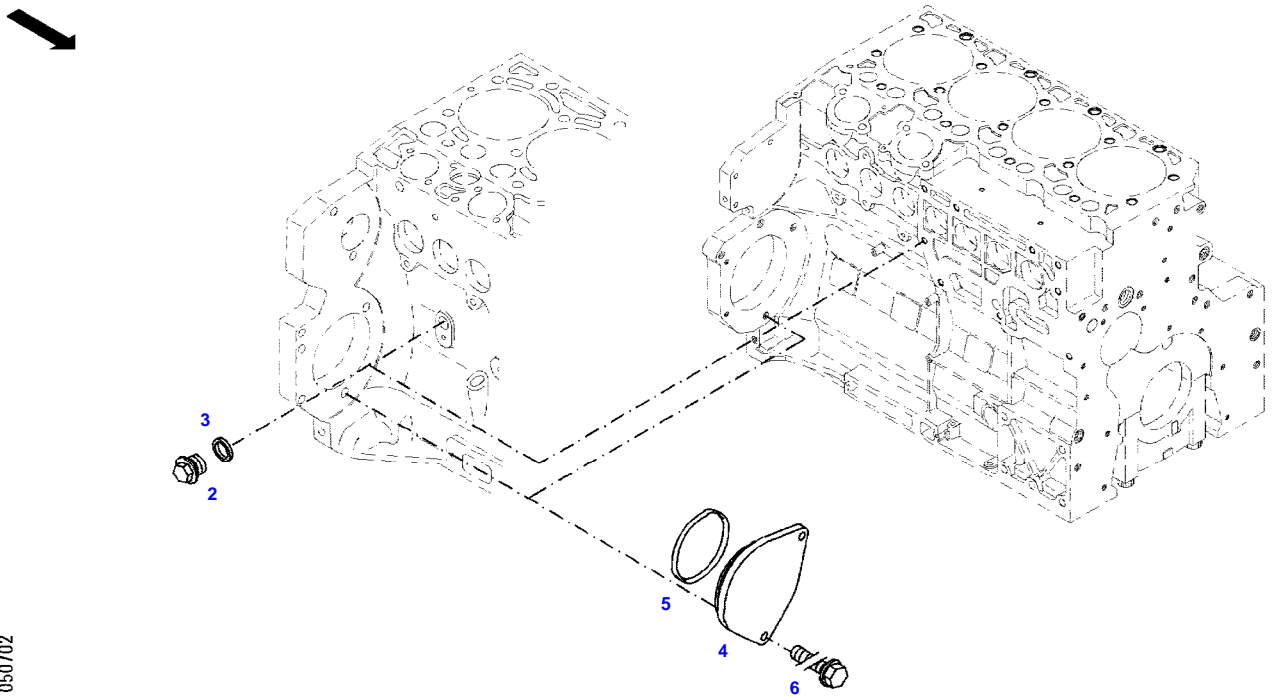
Item	Part Number	Qty	Description Comments
			PISTON COOL.NOZZLE
1	72415140	6	PISTON COOLING JET



040194

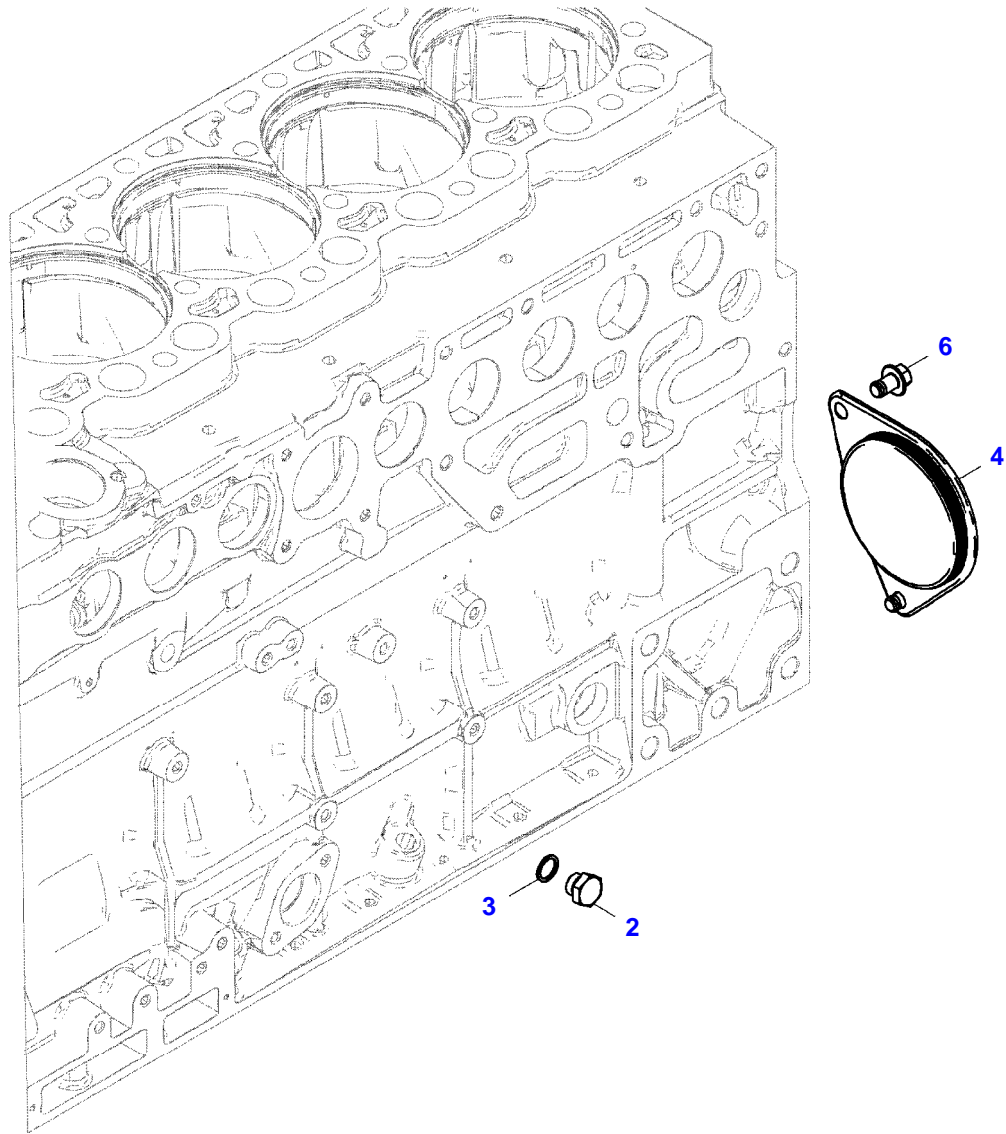


Item	Part Number	Qty	Description Comments
			LOCKING PLUG
1	72325326	1	CORE HOLE PLUG UP TO ENGINE NUMBER 11981720
	72628072	1	CAP COVER FROM ENGINE S/N 11981721
185	72325403	1	SAFE.LOCK AGENT UP TO ENGINE NUMBER 11981720 UP TO ENGINE NUMBER 11981720
	72493900	1	INSTALLATION AIDS FROM ENGINE S/N 11981721



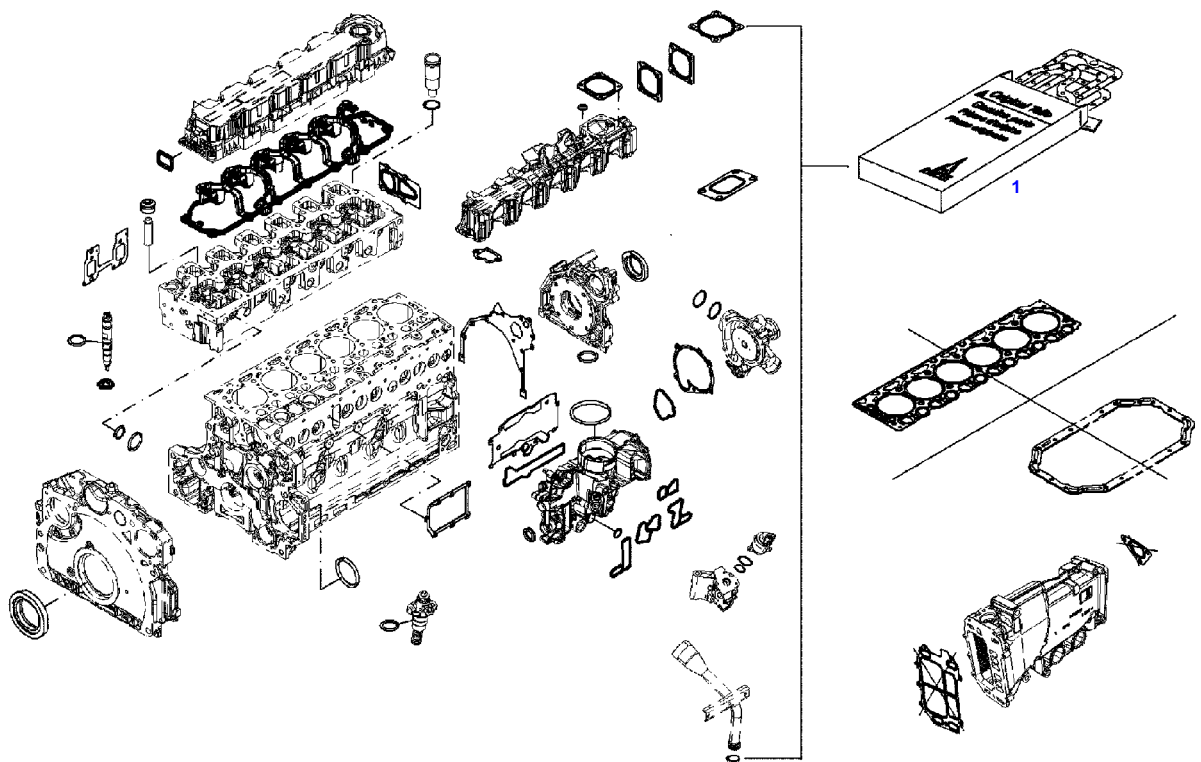
050702

Item	Part Number	Qty	Description Comments	Technical Specification
BLANKING PARTS				
2	72315799	1	PLUG NOT NEEDED WITH AIR BRAKE	DIN 7604 AM14X1,5-A3L
3	72439867	1	SEALING WASHER NOT NEEDED WITH AIR BRAKE	DIN7603-14X18-CU-VERZ
4	72431648	1	COVER NOT NEEDED WITH AIR BRAKE	
5	72416472	1	SEAL 96X4MM NOT NEEDED WITH AIR BRAKE	
6	72438057	1	HEXAGONAL HEAD BOLT NOT NEEDED WITH AIR BRAKE UP TO 2017-08	M10X20
	72657640	1	HEXAGONAL HEAD BOLT NOT NEEDED WITH AIR BRAKE FROM 2017-09	M10X16



25548786-M-1

Item	Part Number	Qty	Description Comments	Technical Specification
			BLANKING PARTS FROM ENGINE S/N 12163344	
2	72631866	1	PLUG SCREW NOT NEEDED WITH AIR BRAKE	
3	72439867	1	SEALING WASHER NOT NEEDED WITH AIR BRAKE	DIN7603-14X18-CU-VERZ
4	72657732	1	COVER NOT NEEDED WITH AIR BRAKE	
6	72657640	2	HEXAGONAL HEAD BOLT	M10X16



051161

Fendt

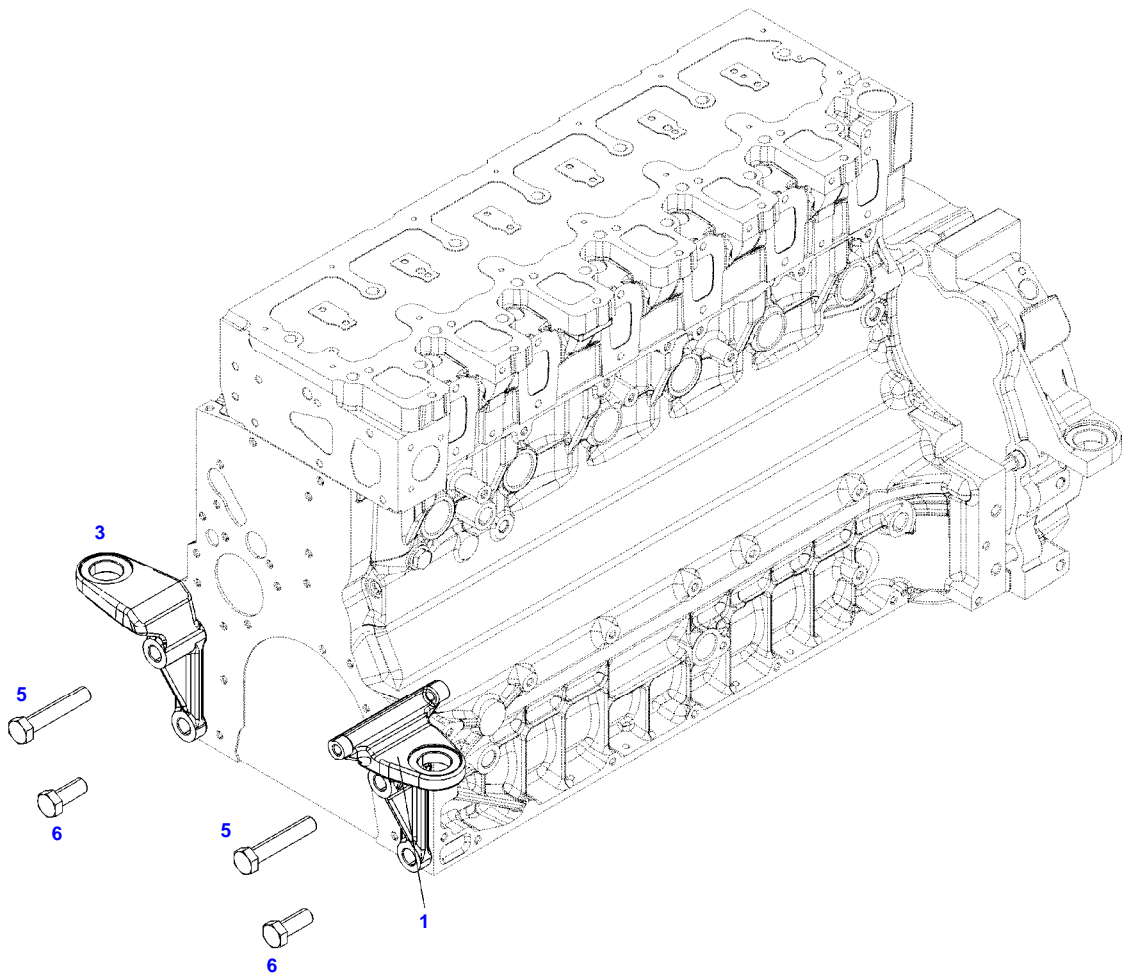
FENDT 720 S4 (741/00101-06000) (WAM741XXX00F06001-99999)

F741000

SET OF GASKETS - MOTOR

Page01-0012

Item	Part Number	Qty	Description Comments
1	72615421	1	SEAL KIT WITHOUT CYLINDER HEAD GASKET



051220



Fendt

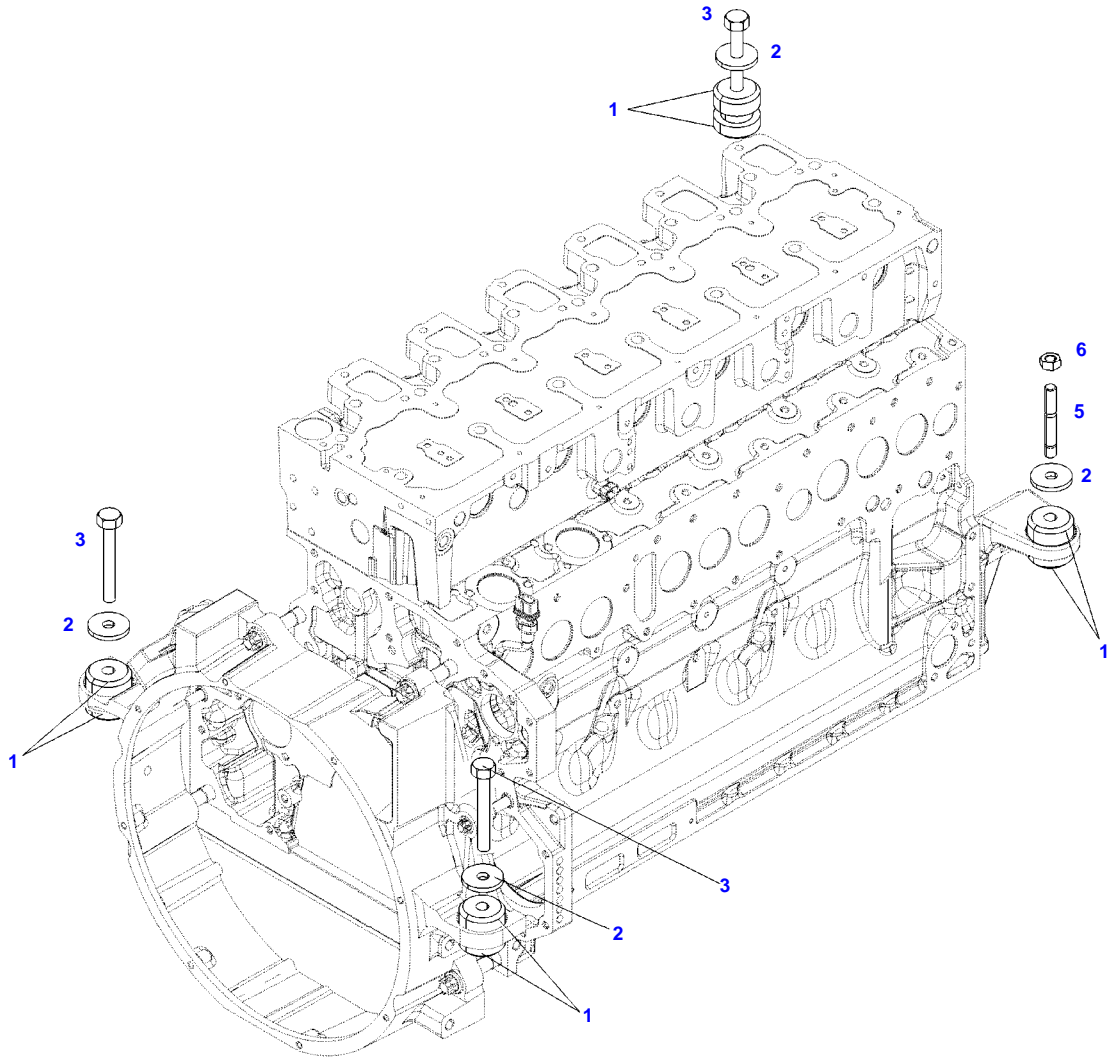
FENDT 720 S4 (741/00101-06000) (WAM741XXX00F06001-99999)

F741000

ENGINE MOUNTINGS

Page01-0013

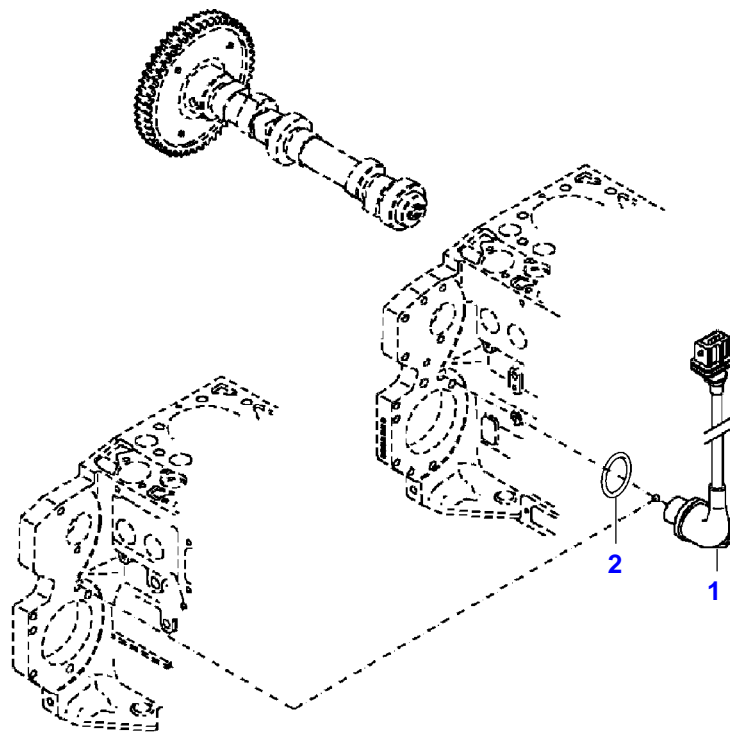
Item	Part Number	Qty	Description Comments	Technical Specification
1	72600590	1	ENGINE SUSPENSION	LI
3	72613694	1	ENGINE SUSPENSION	R
5	72374294	2	HEXAGONAL HEAD BOLT	DIN 931-M16X85 GWA-10.9
6	72418408	2	HEXAGONAL HEAD BOLT	DIN 933 M16X40 GWA-10.9



051219



Item	Part Number	Qty	Description Comments	Technical Specification
1	72423991	4	ENGINE MOUNT	
2	72318110	4	DISC	
3	72315563	3	HEXAGONAL HEAD BOLT	DIN 931 M12X80-8.8A3L
5	72614203	1	SCREW	DIN 939 M12X70-8.8 A3L
6	72313276	1	NUT	DIN 934 M12-8A3L



431755-M-1

Fendt

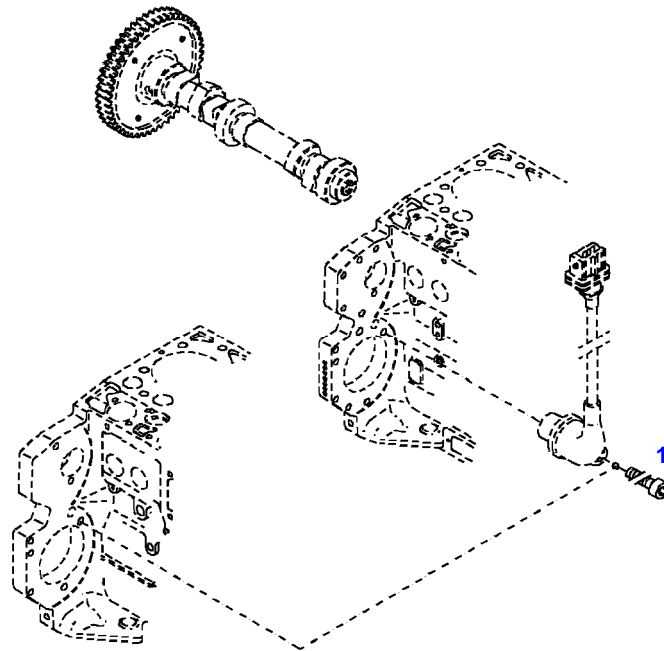
FENDT 720 S4 (741/00101-06000) (WAM741XXX00F06001-99999)

F741000

TRANSMITTER

Page01-0015

Item	Part Number	Qty	Description Comments
			ENGINE SPEED EDC
1	72626758	1	TRANSMITTER
2	72628348	1	O-RING



035317

Fendt

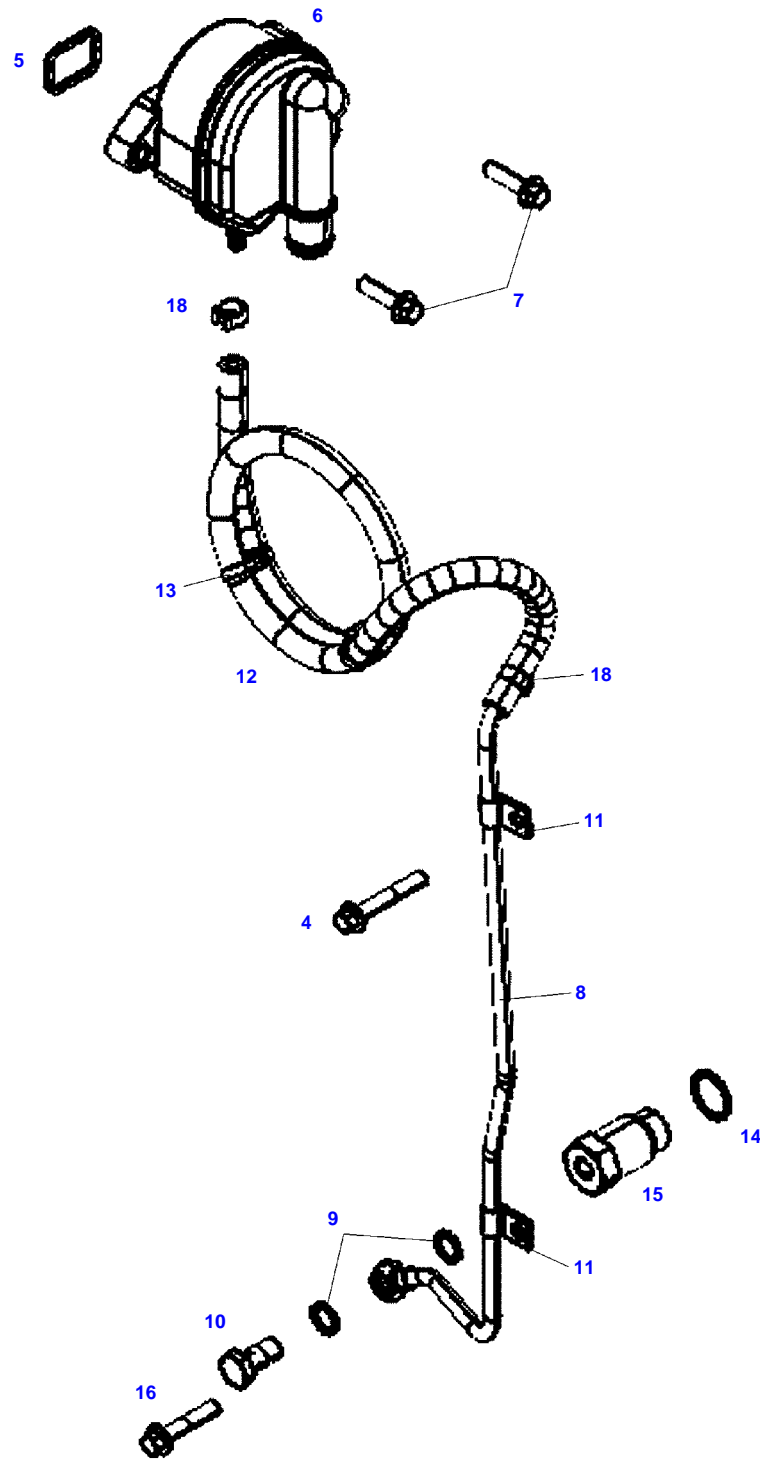
FENDT 720 S4 (741/00101-06000) (WAM741XXX00F06001-99999)

F741000

TRANSMITTER

Page01-0016

Item	Part Number	Qty	Description Comments	Technical Specification
			ENGINE SPEED FASTENINGS	
1	72315460	1	SOCKET HEAD BOLT	DIN 912 M6X16-8.8

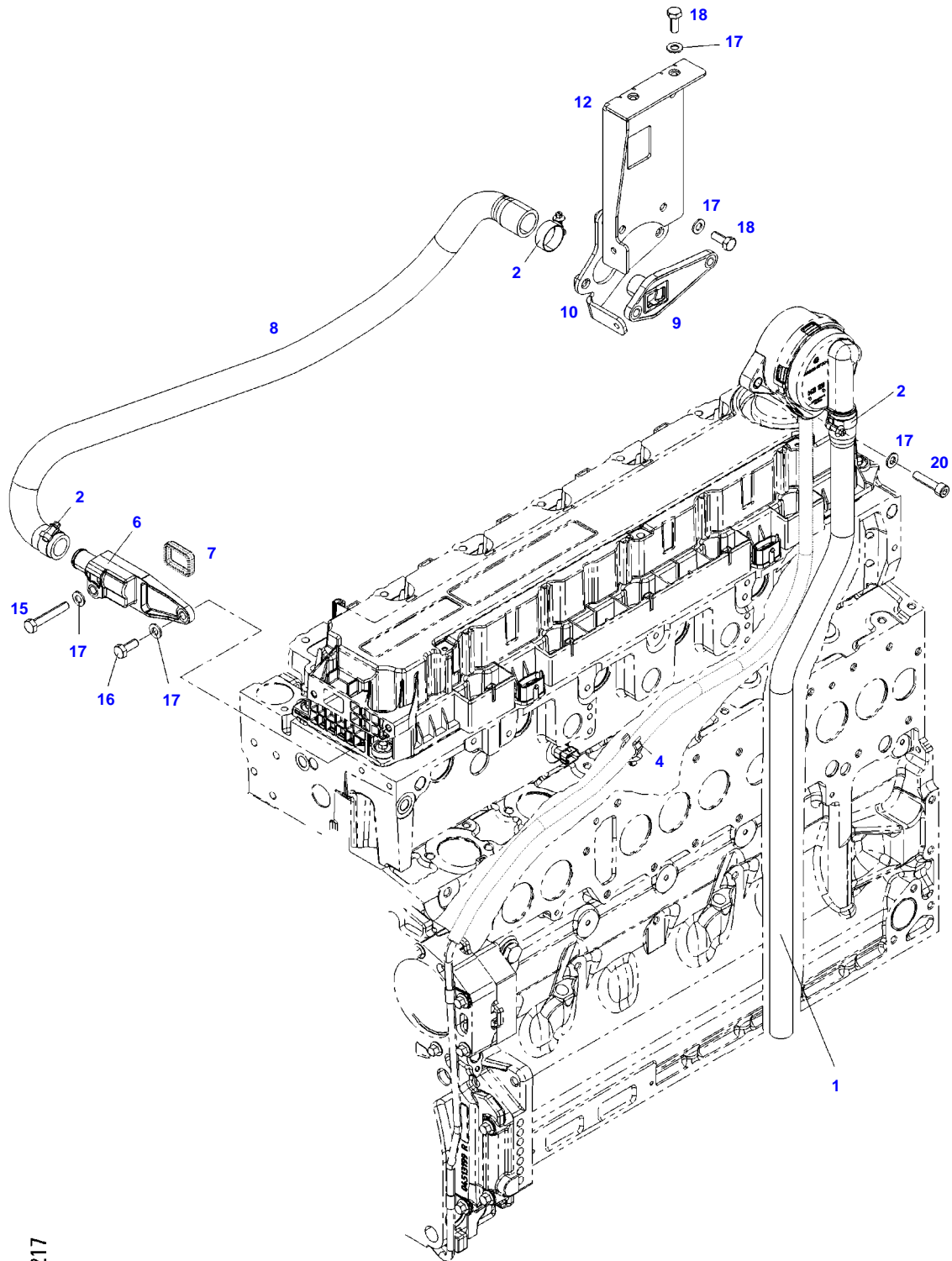


F060828



CRANKCASE BREATHER

Item	Part Number	Qty	Description Comments	Technical Specification
4	72325453	1	HEXAGONAL HEAD BOLT	
5	72455795	1	SEAL	
6	72437250	1	BREATHER ><5	
7	72325293	2	HEXAGONAL HEAD BOLT M8X30	M8X30
8	72615422	1	OIL RETURN LINE ><9-13	
9	72439873	2	SEALING WASHER	
10	72323517	1	BANJO BOLT	
11	72425772	2	PIPE CLAMP	
12	72479423	1	RUBBER HOSE	
13	72416001	2	RETAINING STRAP	
14	72439874	1	SEALING WASHER	
15	72425770	1	LOCK VALVE	
16	72325457	1	HEXAGONAL HEAD BOLT M8X40	
18	72479013	2	HOSE CLIP	



051217



Item	Part Number	Qty	Description Comments	Technical Specification
BREATHER TUBE				
1	72648984	1	HOSE	
2	72311167	3	HOSE CLIP	
4	72488959	1	CLIP	SCHLAUCH POM
6	72455520	1	ADAPTER	
7	72455795	1	SEAL	
8	72648983	1	HOSE	
9	72437633	1	CONNECTING FLANGE	
10	72613957	1	BRACKET	
12	72613956	1	BRACKET	
15	72315665	1	HEXAGONAL HEAD BOLT	DIN 933 M8X45-8.8A3L
16	72315650	1	HEXAGONAL HEAD BOLT	DIN 933 M8 X 20-8.8A3L
17	72315053	8	SPLIT WASHER	FWN 65208-8-A3L
18	72315642	4	HEXAGONAL HEAD BOLT	DIN 933 M8 X 16-8.8A3L
20	72315478	2	SOCKET HEAD BOLT	DIN 912 M8X35-8.8

Thank you so much for reading.
Please click the “Buy Now!”
button below to download the
complete manual.



After you pay.

You can download the most
perfect and complete manual in
the world immediately.

Our support email:

ebooklibonline@outlook.com