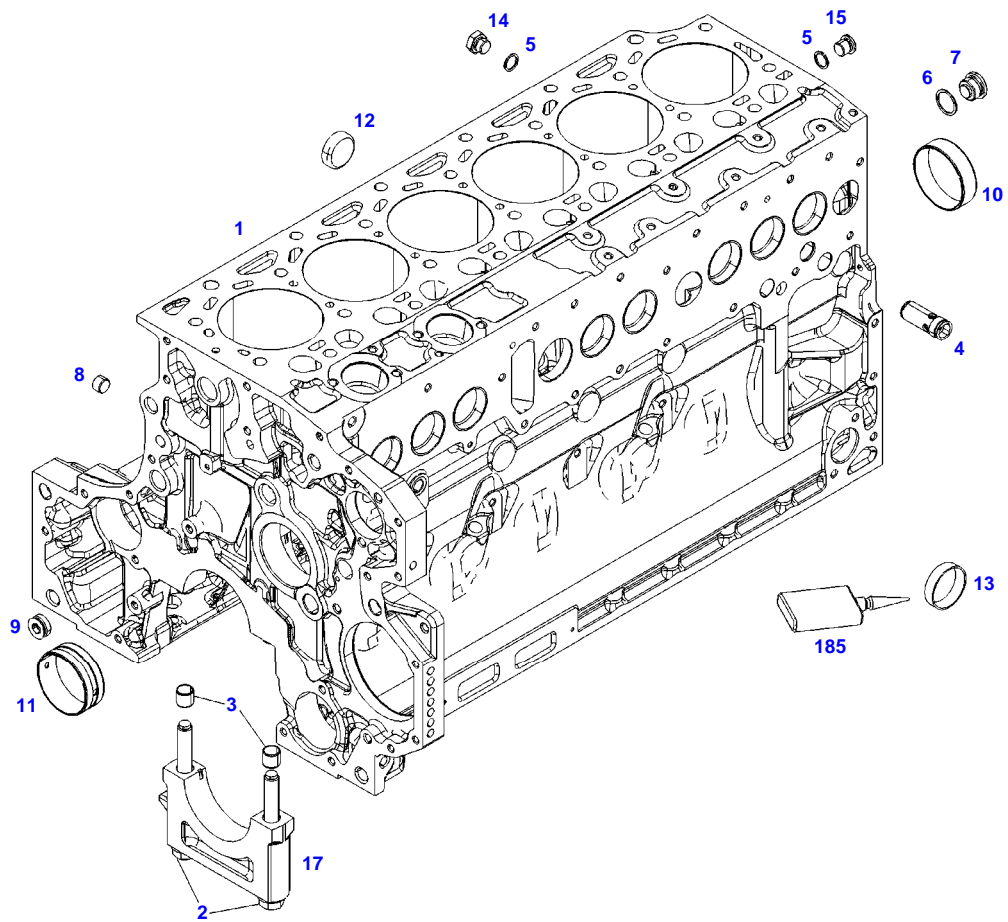


**TABLE OF CONTENT**

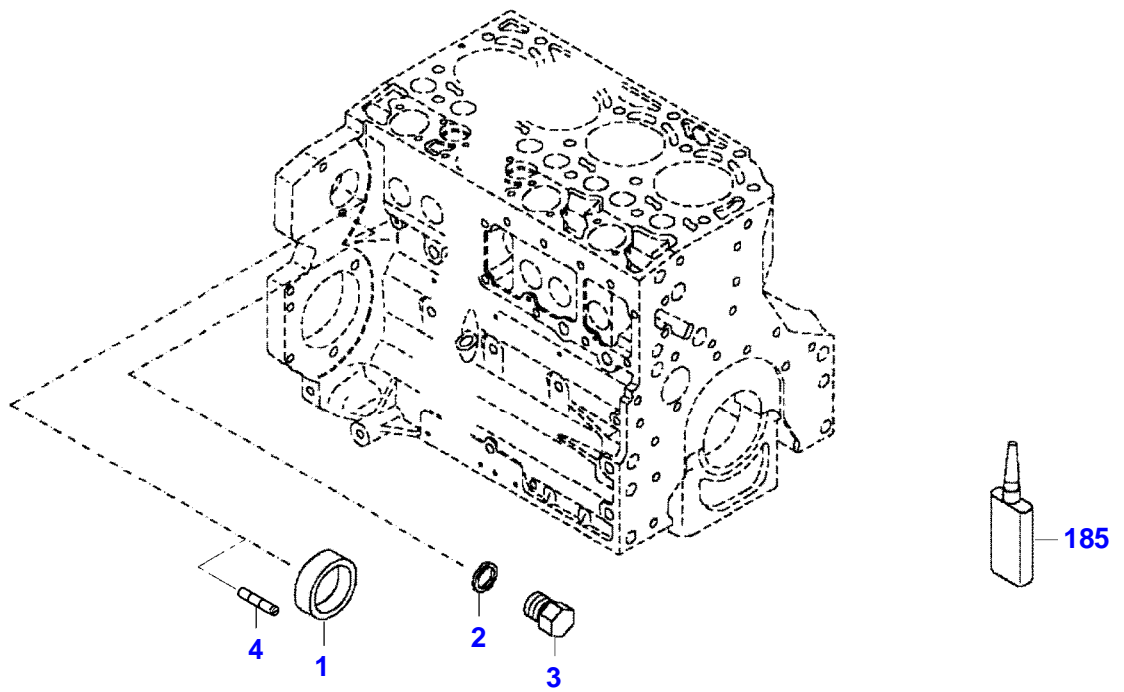
| <b>Page Number</b> | <b>Page Title</b>                   | <b>Page Reference</b> |
|--------------------|-------------------------------------|-----------------------|
| 01-000-TOC         | ENGINE, FUEL AND EXHAUST SYSTEM     | 01-000-TOC            |
| 02-000-TOC         | AXLES                               | 02-000-TOC            |
| 03-000-TOC         | STEERING SYSTEM                     | 03-000-TOC            |
| 04-000-TOC         | DRIVE TRAIN SYSTEM                  | 04-000-TOC            |
| 05-000-TOC         | COMPRESSED AIR SYSTEM               | 05-000-TOC            |
| 06-000-TOC         | HYDRAULIC SYSTEM                    | 06-000-TOC            |
| 07-000-TOC         | ELECTRICAL SYSTEM                   | 07-000-TOC            |
| 08-000-TOC         | CAB                                 | 08-000-TOC            |
| 09-000-TOC         | AIR CONDITIONING AND HEATING SYSTEM | 09-000-TOC            |
| 10-000-TOC         | CHASSIS                             | 10-000-TOC            |
| 11-000-TOC         | WHEELS                              | 11-000-TOC            |
| 12-000-TOC         | IMPLEMENT LIFT SYSTEM FRONT         | 12-000-TOC            |
| 13-000-TOC         | IMPLEMENT LIFT SYSTEM REAR          | 13-000-TOC            |
| 14-000-TOC         | LINKAGE                             | 14-000-TOC            |
| 15-000-TOC         | FRONT/REAR LOADERS                  | 15-000-TOC            |
| 16-000-TOC         | PRECISION FARMING SYSTEMS           | 16-000-TOC            |
| 17-000-TOC         | ACCESSORIES                         | 17-000-TOC            |



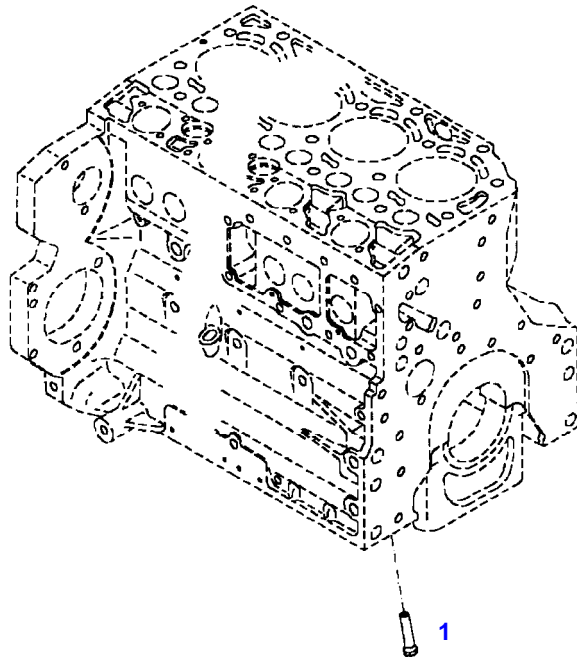
F061603



| Item | Part Number | Qty | Description<br>Comments                         | Technical Specification |
|------|-------------|-----|---|-------------------------|
|      |             |     | FROM ENGINE S/N<br>12299951                     |                         |
|      | 72649936    | 1   | ENGINE<br>FROM MACHINE S/N<br>WAM742XXX00F09001 | TCD6.1L6                |
| 1    | 72627713    | 1   | CRANKCASE                                       |                         |
| 2    | 72416467    | 14  | HEXAGONAL HEAD BOLT                             |                         |
| 3    | 72344342    | 14  | ADAPTER BUSH                                    |                         |
| 4    | 72628299    | 1   | DISCHARGE VALVE                                 |                         |
| 5    | 72439867    | 3   | SEALING WASHER                                  | DIN7603-14X18-CU-VERZ   |
| 6    | 72439874    | 1   | SEALING WASHER                                  |                         |
| 7    | 72455559    | 1   | PLUG SCREW                                      |                         |
| 8    | 72429347    | 1   | SCREW   | M14X1,5                 |
| 9    | 72431135    | 1   | LOCKING PLUG                                    |                         |
| 10   | ACP0152940  | 6   | FEMALE BEARING                                  |                         |
| 11   | ACP0152930  | 1   | FEMALE BEARING                                  |                         |
| 12   | 72325325    | 9   | CORE HOLE PLUG                                  |                         |
| 13   | 72325326    | 6   | CORE HOLE PLUG                                  |                         |
| 14   | 72315799    | 3   | PLUG  | DIN 7604 AM14X1,5-A3L   |
| 15   | 72315438    | 1   | PLUG SCREW                                      | DIN 908 M14X1,5-ST      |
| 17   |             |     | NOT AVAILABLE IN SINGLE PARTS                   |                         |
| 185  | 72416485    | 1   | SAFE.LOCK AGENT                                 |                         |



| Item                  | Part Number | Qty | Description<br>Comments                                      | Technical Specification |
|-----------------------|-------------|-----|--|-------------------------|
| <b>BLANKING PARTS</b> |             |     |  |                         |
| 1                     | 72627515    | 1   | CORE HOLE PLUG<br>UP TO ENGINE NUMBER<br>11981720            |                         |
|                       | 72628071    | 1   | CAP COVER<br>FROM ENGINE S/N<br>11981721                     |                         |
| 2                     | 72315088    | 2   | SEALING WASHER   | DIN 7603 A10X13,5-CU    |
| 3                     | 72323677    | 2   | PLUG   |                         |
| 4                     | 72631860    | 2   | THREADED PIN<br>UP TO ENGINE S/N<br>12473740                 |                         |
|                       | 72657969    | 2   | PLUG SCREW<br>STARTING FROM ENGINE SERIAL NUMBER<br>12473741 |                         |
| 185                   | 72325403    | 1   | SAFE.LOCK AGENT<br>UP TO ENGINE NUMBER<br>11981720           |                         |
|                       | 72493900    | 1   | INSTALLATION AIDS<br>FROM ENGINE S/N<br>11981721             |                         |



030004

---

Fendt

FENDT 722 S4 (742/00101-06000) (WAM742XXX00F06001-99999)

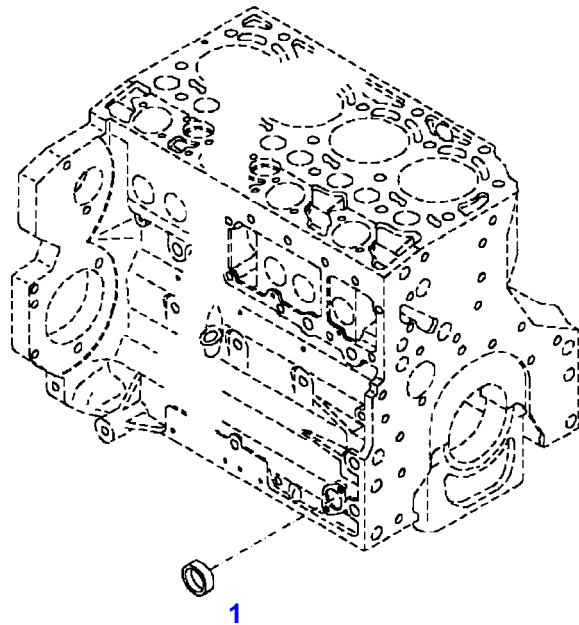
F742000

CRANKCASE

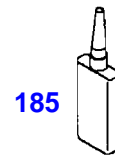
Page01-0008

---

| Item | Part Number | Qty | Description<br>Comments |
|------|-------------|-----|-------------------------|
|      |             |     | PISTON COOL.NOZZLE      |
| 1    | 72415140    | 6   | PISTON COOLING JET      |



040194



185



---

Fendt

FENDT 722 S4 (742/00101-06000) (WAM742XXX00F06001-99999)

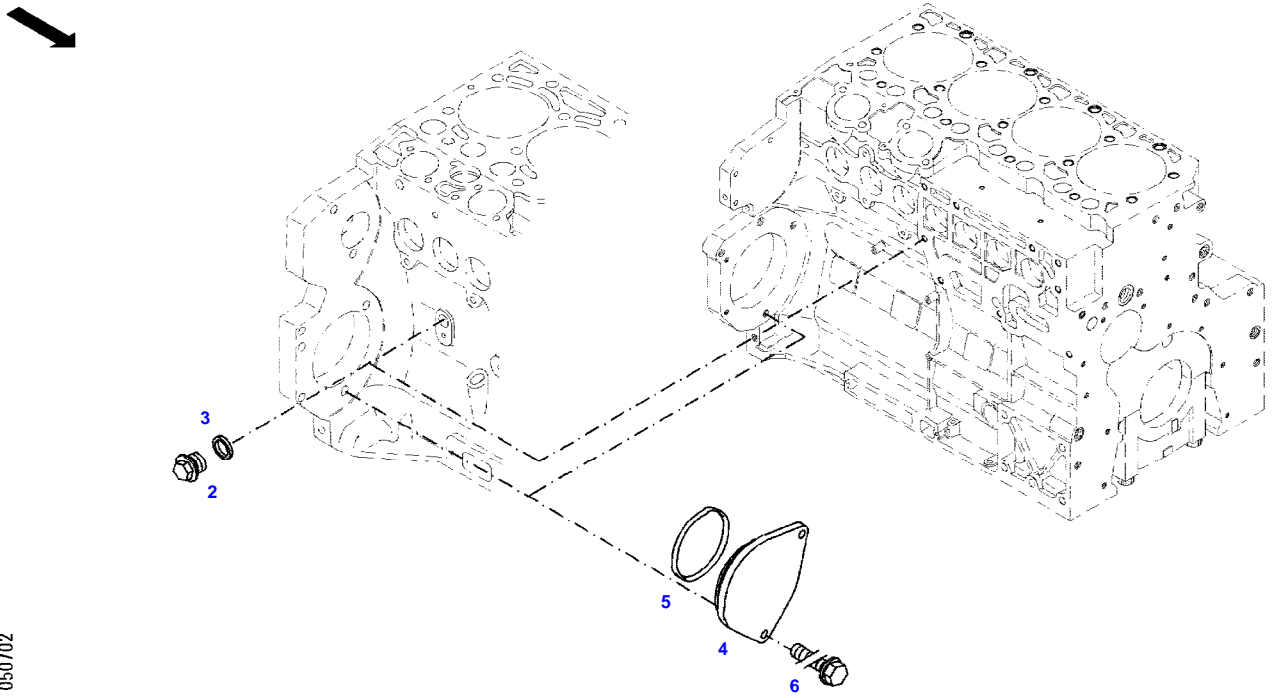
F742000

CRANKCASE

Page01-0009

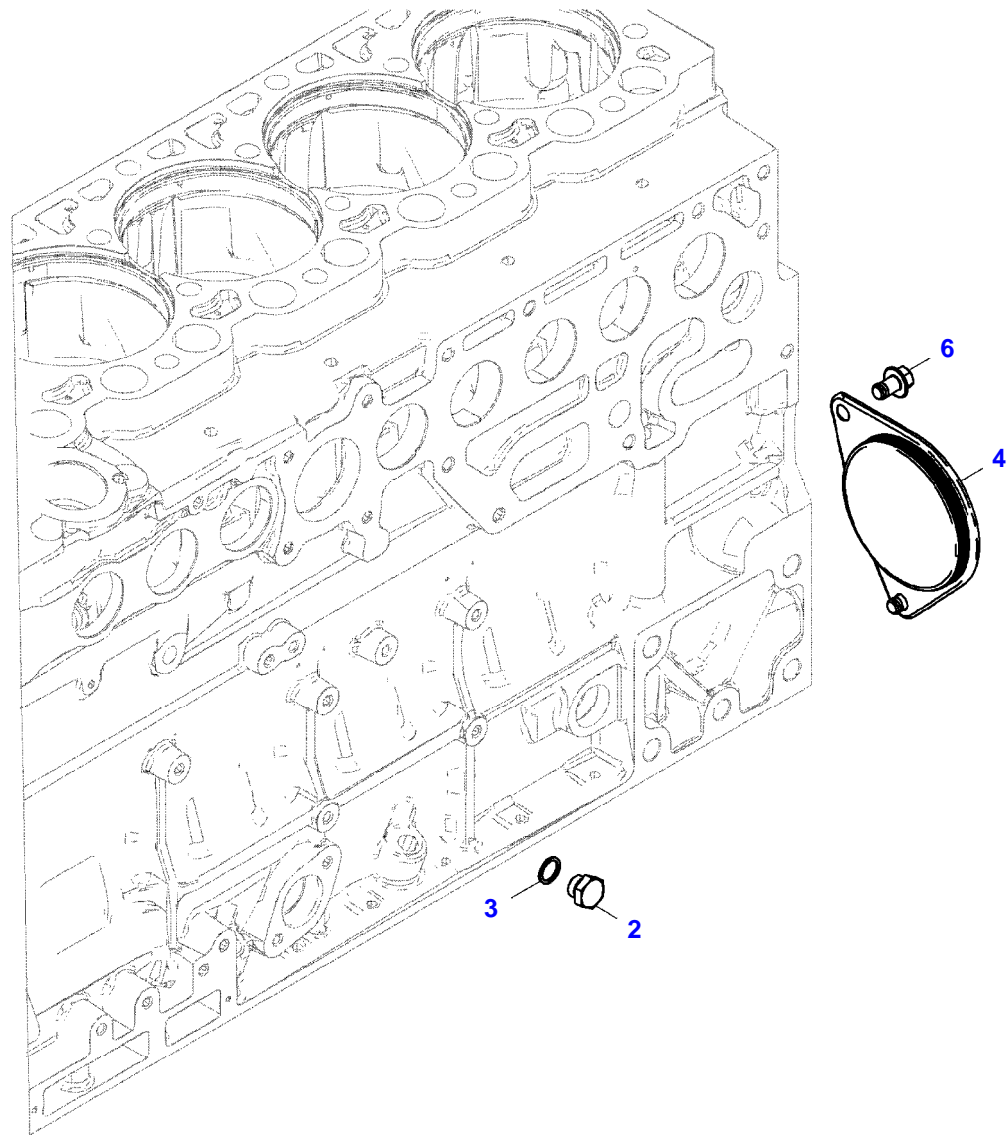
---

| Item | Part Number | Qty | Description<br>Comments                            |
|------|-------------|-----|--|
|      |             |     | <b>LOCKING PLUG</b>                                |
| 1    | 72325326    | 1   | CORE HOLE PLUG<br>UP TO ENGINE NUMBER<br>11981720  |
|      | 72628072    | 1   | CAP COVER<br>FROM ENGINE S/N<br>11981721           |
| 185  | 72325403    | 1   | SAFE.LOCK AGENT<br>UP TO ENGINE NUMBER<br>11981720 |
|      | 72493900    | 1   | INSTALLATION AIDS<br>FROM ENGINE S/N<br>11981721   |



050702

| Item                  | Part Number | Qty | Description<br>Comments   | Technical Specification |
|-----------------------|-------------|-----|---|-------------------------|
| <b>BLANKING PARTS</b> |             |     |   |                         |
| 2                     | 72315799    | 1   | PLUG<br>NOT NEEDED WITH AIR BRAKE                                 | DIN 7604 AM14X1,5-A3L   |
| 3                     | 72439867    | 1   | SEALING WASHER<br>NOT NEEDED WITH AIR BRAKE                       | DIN7603-14X18-CU-VERZ   |
| 4                     | 72431648    | 1   | COVER<br>NOT NEEDED WITH AIR BRAKE                                |                         |
| 5                     | 72416472    | 1   | SEAL<br>96X4MM<br>NOT NEEDED WITH AIR BRAKE                       |                         |
| 6                     | 72438057    | 1   | HEXAGONAL HEAD BOLT<br>NOT NEEDED WITH AIR BRAKE<br>UP TO 2017-08 | M10X20                  |
|                       | 72657640    | 1   | HEXAGONAL HEAD BOLT<br>NOT NEEDED WITH AIR BRAKE<br>FROM 2017-09  | M10X16                  |



25548786-M-1

Fendt

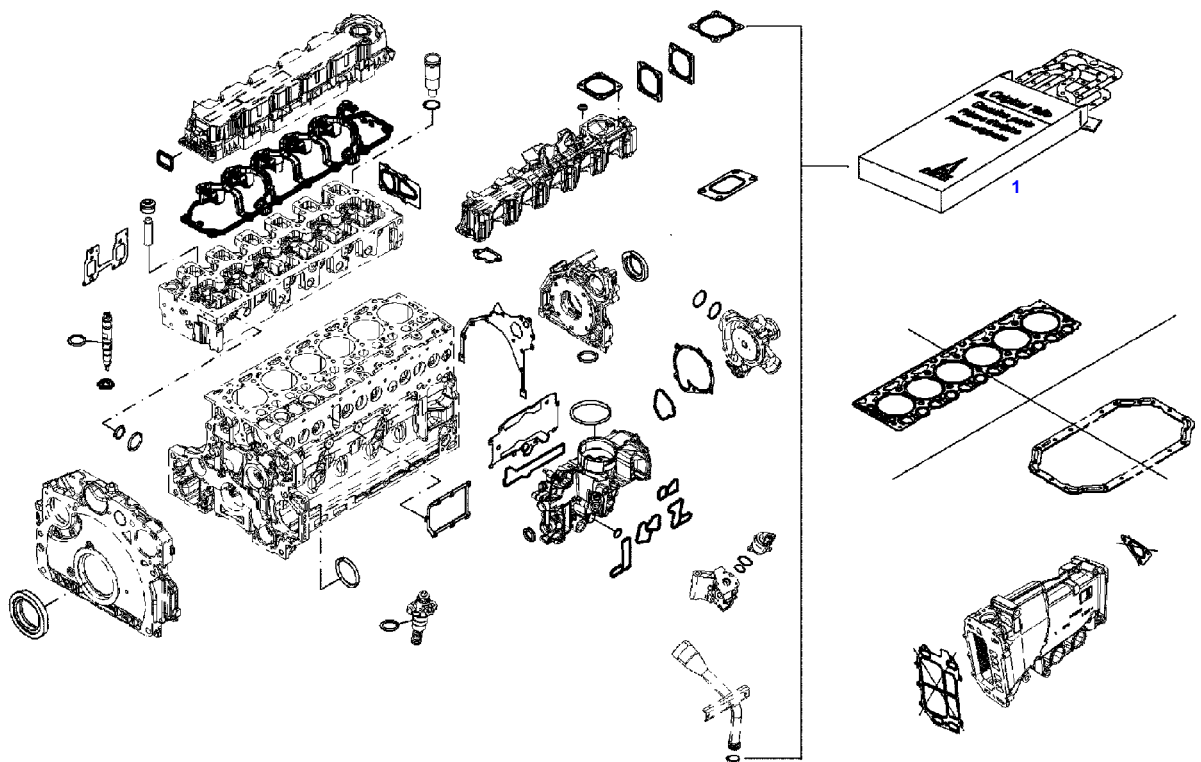
FENDT 722 S4 (742/00101-06000) (WAM742XXX00F06001-99999)

F742000

CRANKCASE

Page01-0011

| Item | Part Number | Qty | Description<br>Comments                                | Technical Specification |
|------|-------------|-----|--|-------------------------|
|      |             |     | <b>BLANKING PARTS<br/>FROM ENGINE S/N<br/>12163344</b> |                         |
| 2    | 72631866    | 1   | PLUG SCREW<br>NOT NEEDED WITH AIR BRAKE                |                         |
| 3    | 72439867    | 1   | SEALING WASHER<br>NOT NEEDED WITH AIR BRAKE            | DIN7603-14X18-CU-VERZ   |
| 4    | 72657732    | 1   | COVER<br>NOT NEEDED WITH AIR BRAKE                     |                         |
| 6    | 72657640    | 2   | HEXAGONAL HEAD BOLT                                    | M10X16                  |



051161

---

Fendt

---

FENDT 722 S4 (742/00101-06000) (WAM742XXX00F06001-99999)

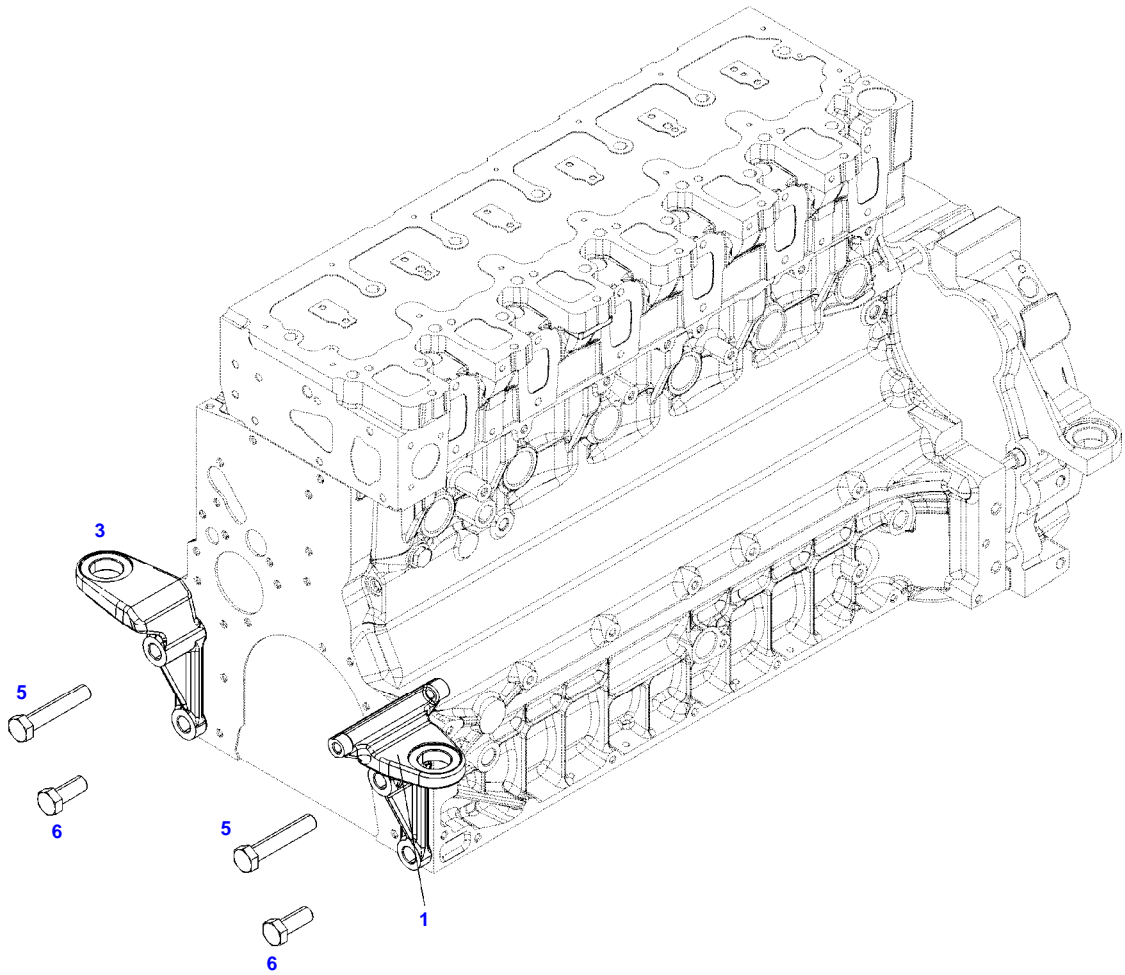
F742000

---

SET OF GASKETS - MOTOR

Page01-0012

| Item | Part Number | Qty | Description<br>Comments                  |
|------|-------------|-----|--|
| 1    | 72615421    | 1   | SEAL KIT<br>WITHOUT CYLINDER HEAD GASKET |



051220





---

Fendt

FENDT 722 S4 (742/00101-06000) (WAM742XXX00F06001-99999)

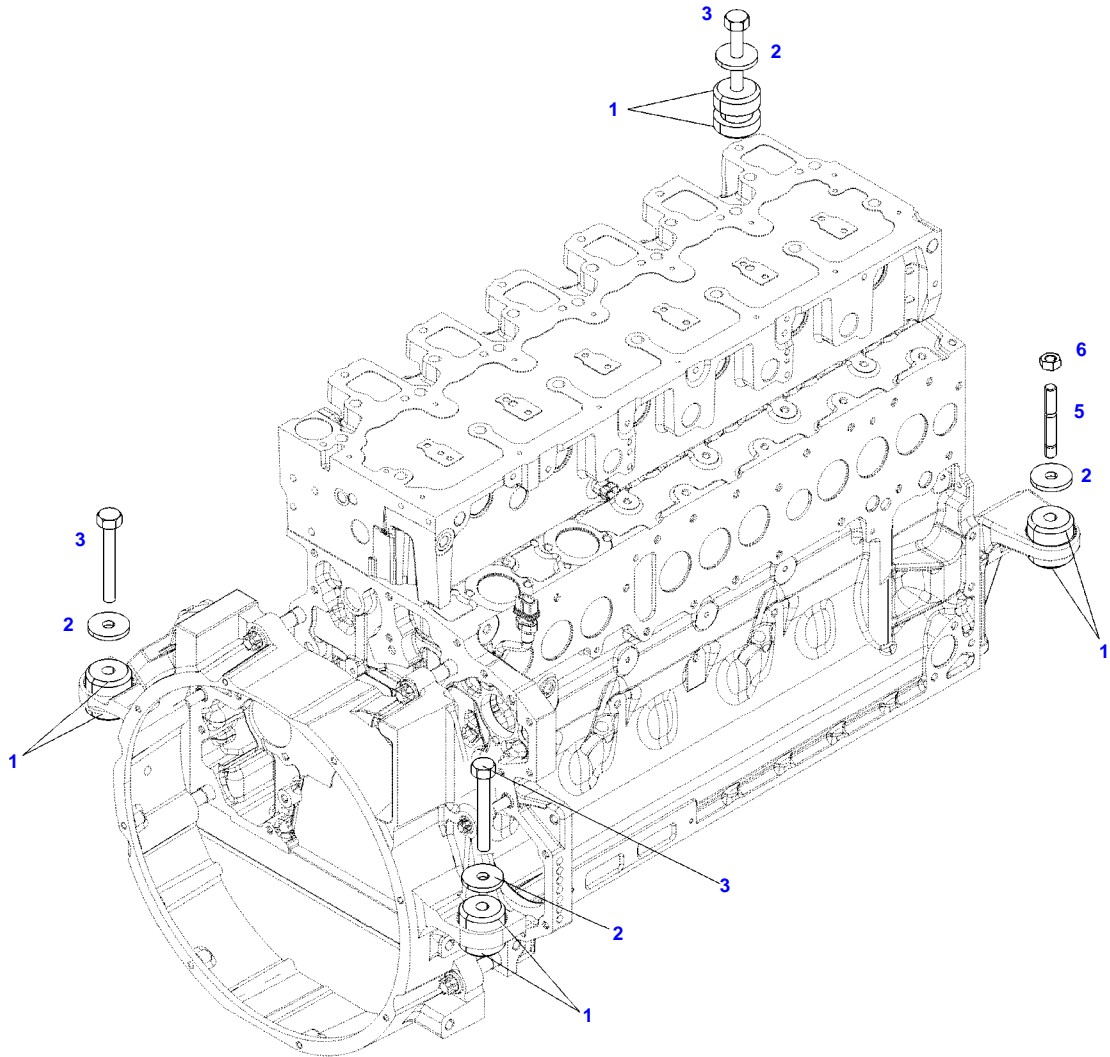
F742000

ENGINE MOUNTINGS

Page01-0013

---

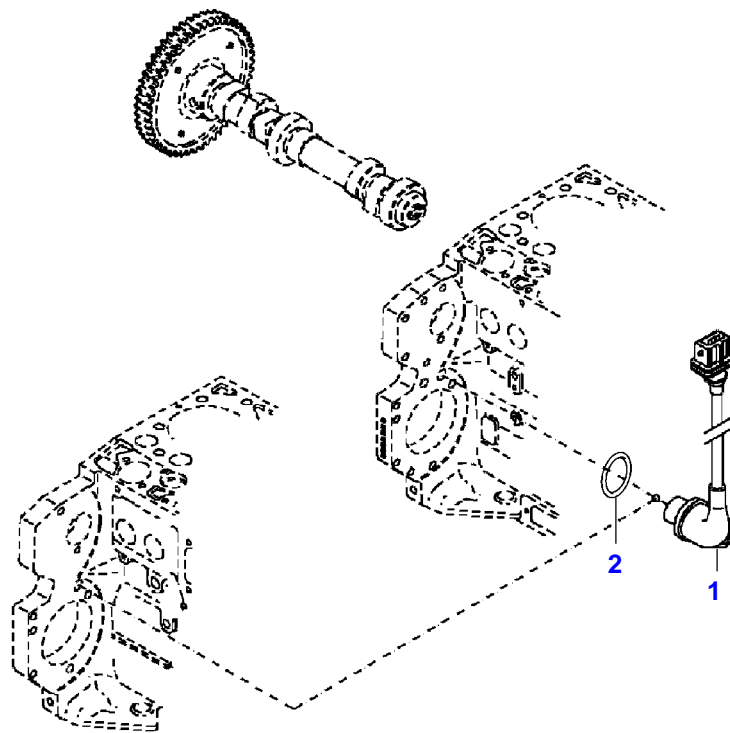
| Item | Part Number | Qty | Description<br>Comments | Technical Specification |
|------|-------------|-----|-------------------------|-------------------------|
| 1    | 72600590    | 1   | ENGINE SUSPENSION       | LI                      |
| 3    | 72613694    | 1   | ENGINE SUSPENSION       | R                       |
| 5    | 72374294    | 2   | HEXAGONAL HEAD BOLT     | DIN 931-M16X85 GWA-10.9 |
| 6    | 72418408    | 2   | HEXAGONAL HEAD BOLT     | DIN 933 M16X40 GWA-10.9 |



051219



| <b>Item</b> | <b>Part Number</b> | <b>Qty</b> | <b>Description<br/>Comments</b> | <b>Technical Specification</b> |
|-------------|--------------------|------------|---------------------------------|--------------------------------|
| 1           | 72423991           | 4          | ENGINE MOUNT                    |                                |
| 2           | 72318110           | 4          | DISC                            |                                |
| 3           | 72315563           | 3          | HEXAGONAL HEAD BOLT             | DIN 931 M12X80-8.8A3L          |
| 5           | 72614203           | 1          | SCREW                           | DIN 939 M12X70-8.8 A3L         |
| 6           | 72313276           | 1          | NUT                             | DIN 934 M12-8A3L               |



431755-M-1

---

Fendt

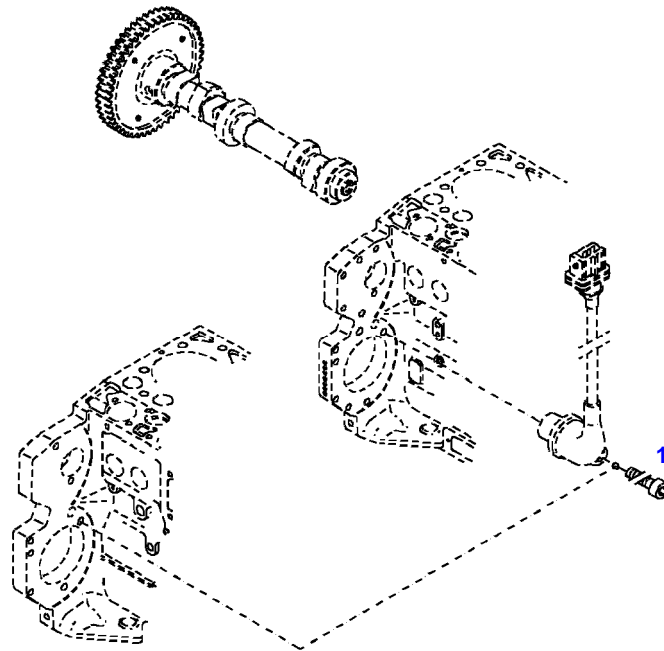
FENDT 722 S4 (742/00101-06000) (WAM742XXX00F06001-99999)

F742000

TRANSMITTER

Page01-0015

| Item | Part Number | Qty | Description<br>Comments |
|------|-------------|-----|-------------------------|
|      |             |     | ENGINE SPEED<br>EDC     |
| 1    | 72626758    | 1   | TRANSMITTER             |
| 2    | 72628348    | 1   | O-RING                  |



035317

---

Fendt

FENDT 722 S4 (742/00101-06000) (WAM742XXX00F06001-99999)

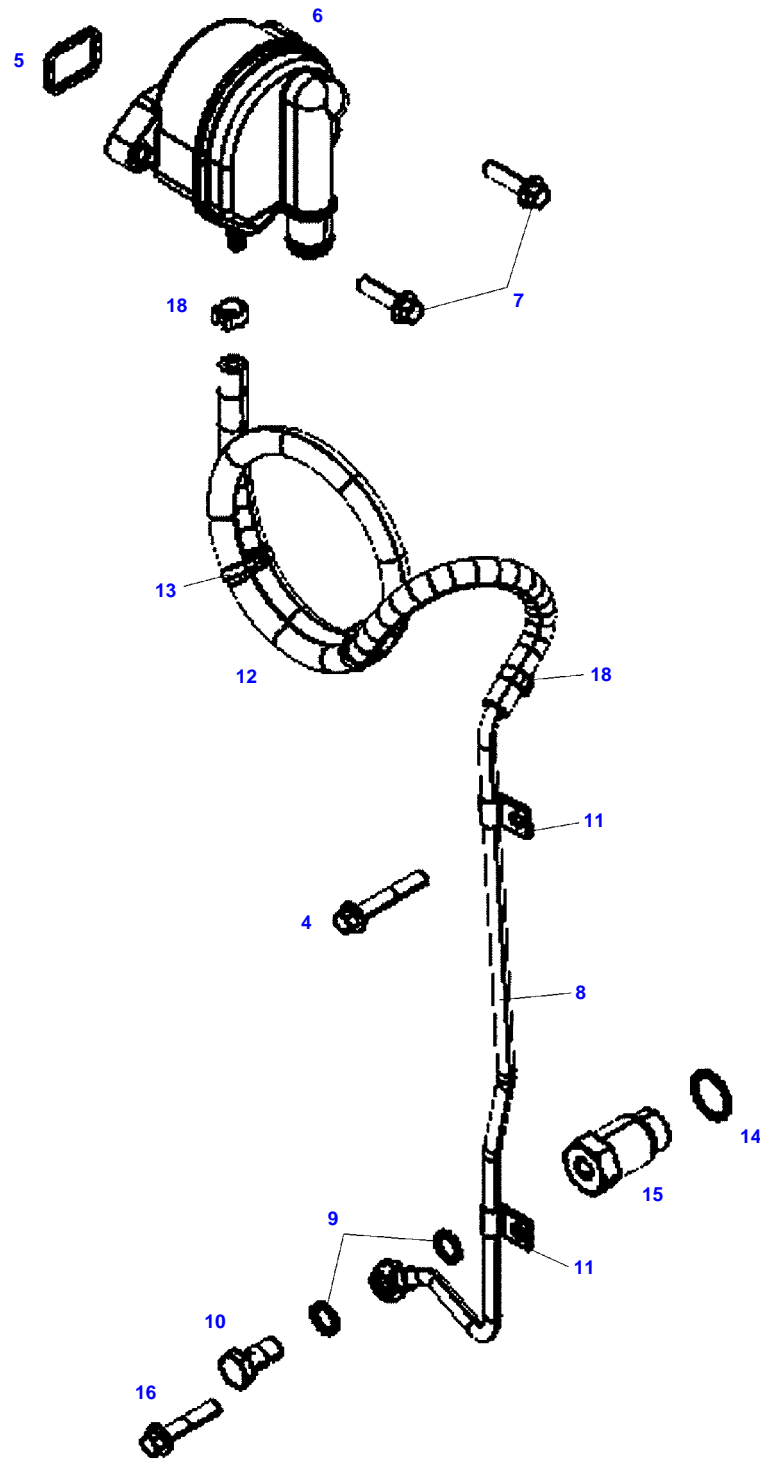
F742000

TRANSMITTER

Page01-0016

---

| Item | Part Number | Qty | Description<br>Comments    | Technical Specification |
|------|-------------|-----|----------------------------|-------------------------|
|      |             |     | ENGINE SPEED<br>FASTENINGS |                         |
| 1    | 72315460    | 1   | SOCKET HEAD BOLT           | DIN 912 M6X16-8.8       |



F060828

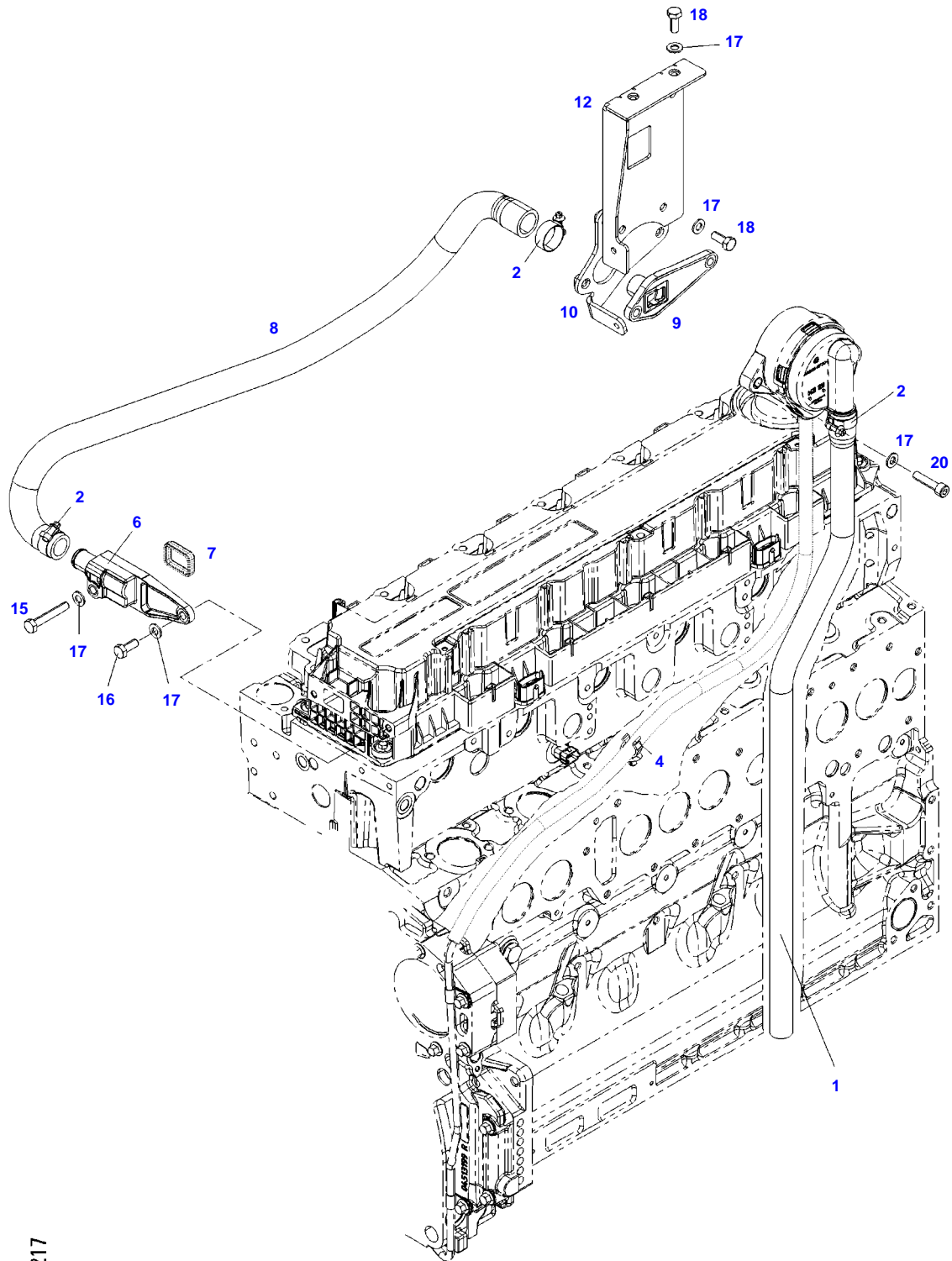




## CRANKCASE BREATHER

| Item | Part Number | Qty | Description<br>Comments      | Technical Specification |
|------|-------------|-----|------------------------------|-------------------------|
| 4    | 72325453    | 1   | HEXAGONAL HEAD BOLT          |                         |
| 5    | 72455795    | 1   | SEAL                         |                         |
| 6    | 72437250    | 1   | BREATHER<br>><5              |                         |
| 7    | 72325293    | 2   | HEXAGONAL HEAD BOLT<br>M8X30 | M8X30                   |
| 8    | 72615422    | 1   | OIL RETURN LINE<br>><9-13    |                         |
| 9    | 72439873    | 2   | SEALING WASHER               |                         |
| 10   | 72323517    | 1   | BANJO BOLT                   |                         |
| 11   | 72425772    | 2   | PIPE CLAMP                   |                         |
| 12   | 72479423    | 1   | RUBBER HOSE                  |                         |
| 13   | 72416001    | 2   | RETAINING STRAP              |                         |
| 14   | 72439874    | 1   | SEALING WASHER               |                         |
| 15   | 72425770    | 1   | LOCK VALVE                   |                         |
| 16   | 72325457    | 1   | HEXAGONAL HEAD BOLT<br>M8X40 |                         |
| 18   | 72479013    | 2   | HOSE CLIP                    |                         |

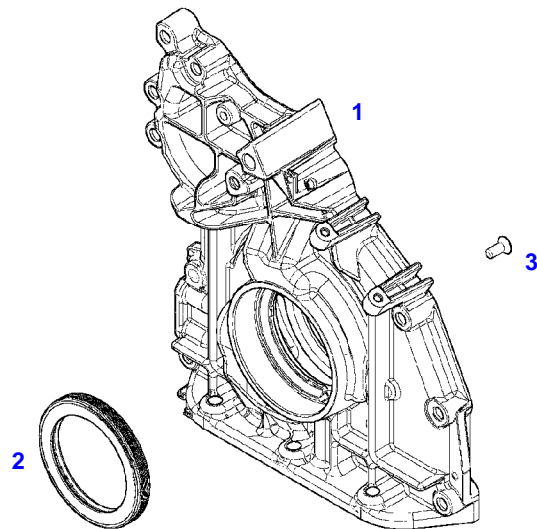
FENDT 722 S4 (742/00101-06000) (WAM742XXX00F06001-99999)  
F51217



051217



| Item                 | Part Number | Qty | Description<br>Comments | Technical Specification |
|----------------------|-------------|-----|-------------------------|-------------------------|
| <b>BREATHER TUBE</b> |             |     |                         |                         |
| 1                    | 72648984    | 1   | HOSE                    |                         |
| 2                    | 72311167    | 3   | HOSE CLIP               |                         |
| 4                    | 72488959    | 1   | CLIP                    | SCHLAUCH POM            |
| 6                    | 72455520    | 1   | ADAPTER                 |                         |
| 7                    | 72455795    | 1   | SEAL                    |                         |
| 8                    | 72648983    | 1   | HOSE                    |                         |
| 9                    | 72437633    | 1   | CONNECTING FLANGE       |                         |
| 10                   | 72613957    | 1   | BRACKET                 |                         |
| 12                   | 72613956    | 1   | BRACKET                 |                         |
| 15                   | 72315665    | 1   | HEXAGONAL HEAD BOLT     | DIN 933 M8X45-8.8A3L    |
| 16                   | 72315650    | 1   | HEXAGONAL HEAD BOLT     | DIN 933 M8 X 20-8.8A3L  |
| 17                   | 72315053    | 8   | SPLIT WASHER            | FWN 65208-8-A3L         |
| 18                   | 72315642    | 4   | HEXAGONAL HEAD BOLT     | DIN 933 M8 X 16-8.8A3L  |
| 20                   | 72315478    | 2   | SOCKET HEAD BOLT        | DIN 912 M8X35-8.8       |



041199

---

Fendt

FENDT 722 S4 (742/00101-06000) (WAM742XXX00F06001-99999)

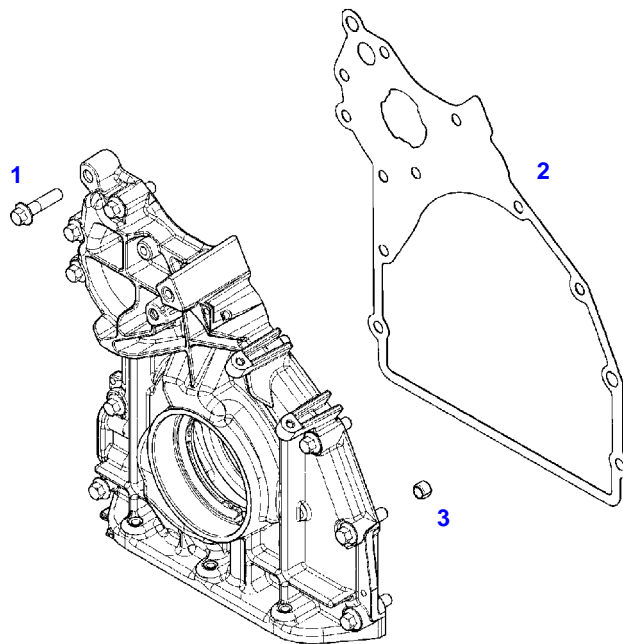
F742000

FRONT COVER

Page01-0019

---

| Item | Part Number | Qty | Description<br>Comments                             |
|------|-------------|-----|---|
|      |             |     | <b>INTEGRATED OIL PUMP</b>                          |
| 1    | 72648947    | 1   | CRANKCASE END COVER<br>INTEGRATED OIL PUMP<br>><2,3 |
| 2    | 72479487    | 1   | SHAFT SEAL  |
| 3    | 72416228    | 8   | COUNTERSUNK CAPSCREW<br>M6X16                       |



041243

---

Fendt

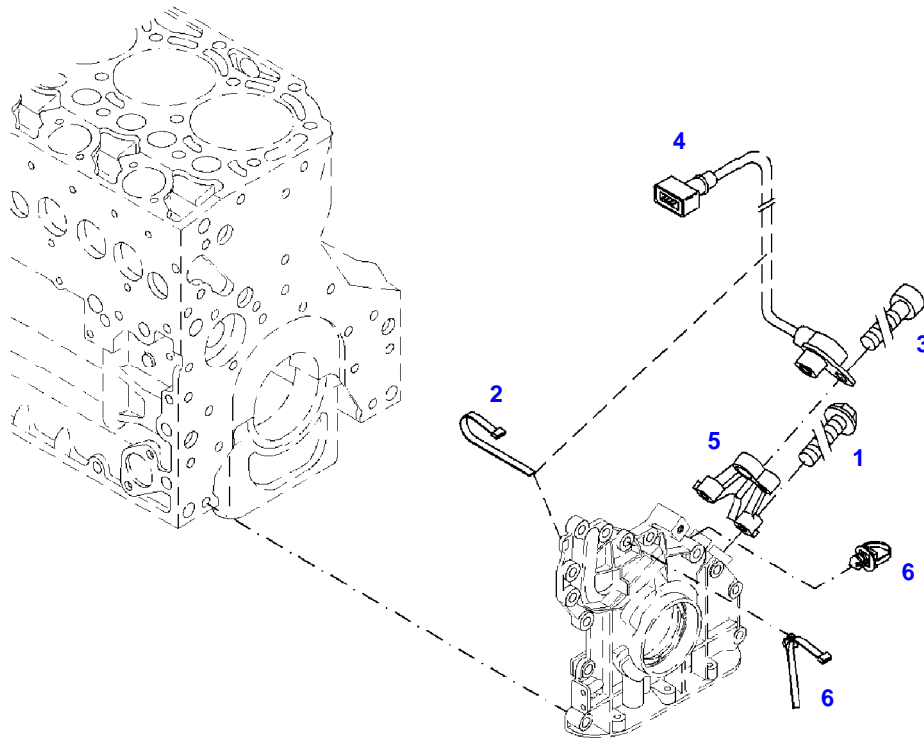
FENDT 722 S4 (742/00101-06000) (WAM742XXX00F06001-99999)

F742000

FRONT COVER

Page01-0020

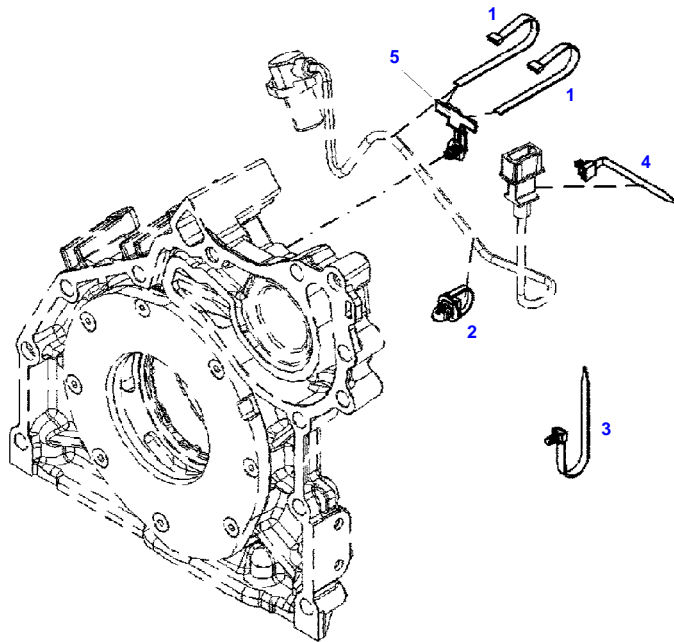
| Item              | Part Number | Qty | Description<br>Comments      | Technical Specification |
|-------------------|-------------|-----|------------------------------|-------------------------|
| <b>FASTENINGS</b> |             |     |                              |                         |
| 1                 | 72605244    | 12  | HEXAGONAL HEAD BOLT<br>M8X35 | M8X35                   |
| 2                 | 72486511    | 1   | SEAL                         |                         |
| 3                 | 72325352    | 1   | TENSIONER BUSHING            |                         |



041001



| Item | Part Number | Qty | Description<br>Comments            | Technical Specification |
|------|-------------|-----|------------------------------------|-------------------------|
|      |             |     | <b>ENGINE SPEED<br/>EDC</b>        |                         |
| 1    | 72436834    | 2   | HEXAGONAL HEAD BOLT<br>M6X30       |                         |
| 2    | 72416001    | 3   | RETAINING STRAP                    |                         |
| 3    | 72315460    | 1   | SOCKET HEAD BOLT                   | DIN 912 M6X16-8.8       |
| 4    | 72436872    | 1   | TRANSMITTER<br>ENGINE SPEED<br>EDC |                         |
| 5    | 72494073    | 1   | RETAINER                           |                         |
| 6    | 72455561    | 2   | RETAINING STRAP                    |                         |



050763

Fendt

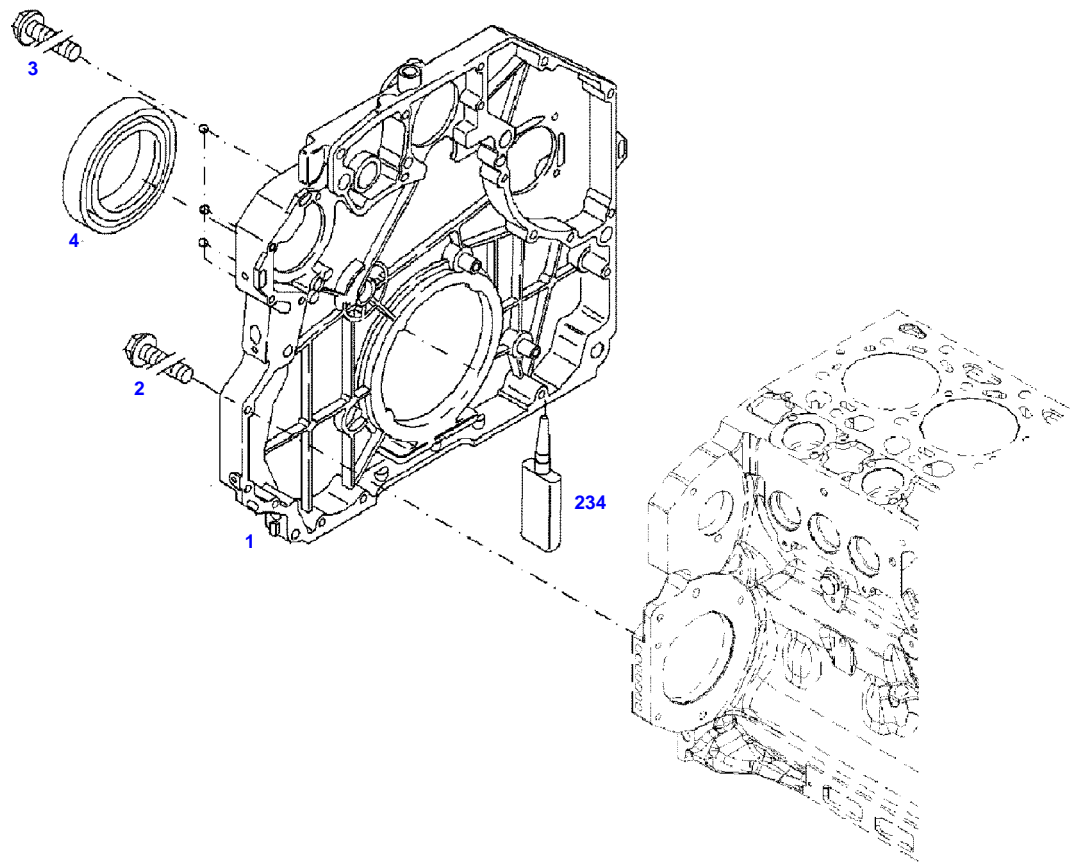
FENDT 722 S4 (742/00101-06000) (WAM742XXX00F06001-99999)

F742000

TRANSMITTER

Page01-0022

| Item | Part Number | Qty | Description<br>Comments                    |
|------|-------------|-----|--|
|      |             |     | <b>ENGINE SPEED<br/>EDC<br/>FASTENINGS</b> |
| 1    | 72416001    | 2   | RETAINING STRAP                            |
| 2    | 72455561    | 1   | RETAINING STRAP                            |
| 3    | 72486033    | 1   | RETAINING STRAP                            |
| 4    | 72436349    | 1   | RETAINING STRAP                            |
| 5    | 72613268    | 1   | PLASTIC CLIP                               |



F060471

Fendt

FENDT 722 S4 (742/00101-06000) (WAM742XXX00F06001-99999)

F742000

GEARCASE

Page01-0023

| Item | Part Number | Qty | Description<br>Comments                   | Technical Specification |
|------|-------------|-----|---|-------------------------|
| 1    | 72615423    | 1   | WHEEL BOX<br>UP TO ENGINE S/N<br>12081542 |                         |
|      | 72631855    | 1   | WHEEL BOX<br>UP TO ENGINE S/N<br>12081543 |                         |
| 2    | 72605244    | 12  | HEXAGONAL HEAD BOLT<br>M8X35              | M8X35                   |
| 3    | 72325388    | 4   | HEXAGONAL HEAD BOLT<br>M8X45              | M8X45                   |
| 4    | 72479495    | 1   | SHAFT SEAL                                |                         |
| 234  | 72626246    | 1   | SEALING COMPOUND                          |                         |

Thank you so much for reading.  
Please click the “Buy Now!”  
button below to download the  
complete manual.



After you pay.

You can download the most  
perfect and complete manual in  
the world immediately.

Our support email:

[ebooklibonline@outlook.com](mailto:ebooklibonline@outlook.com)