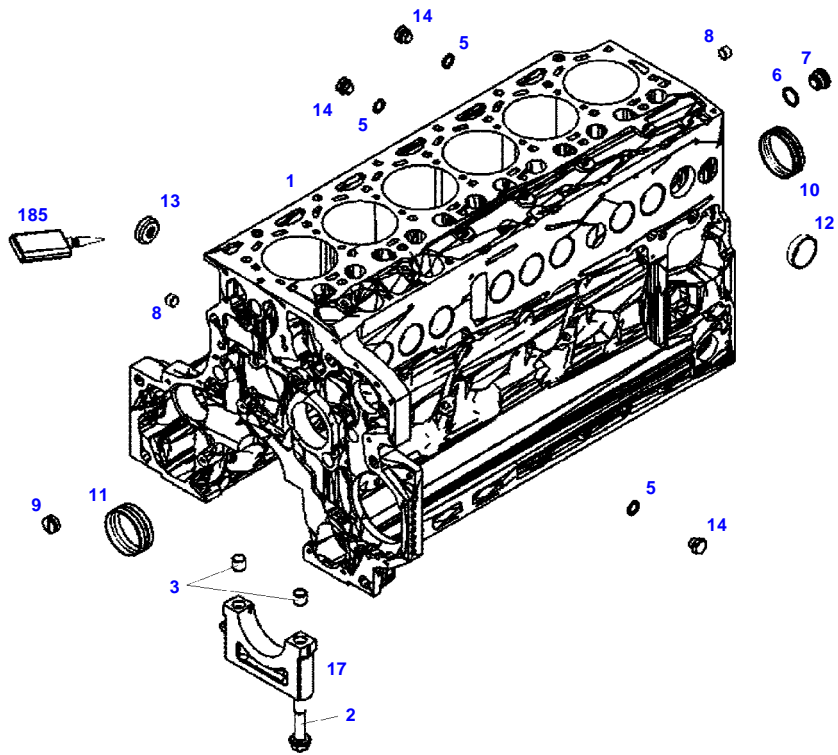


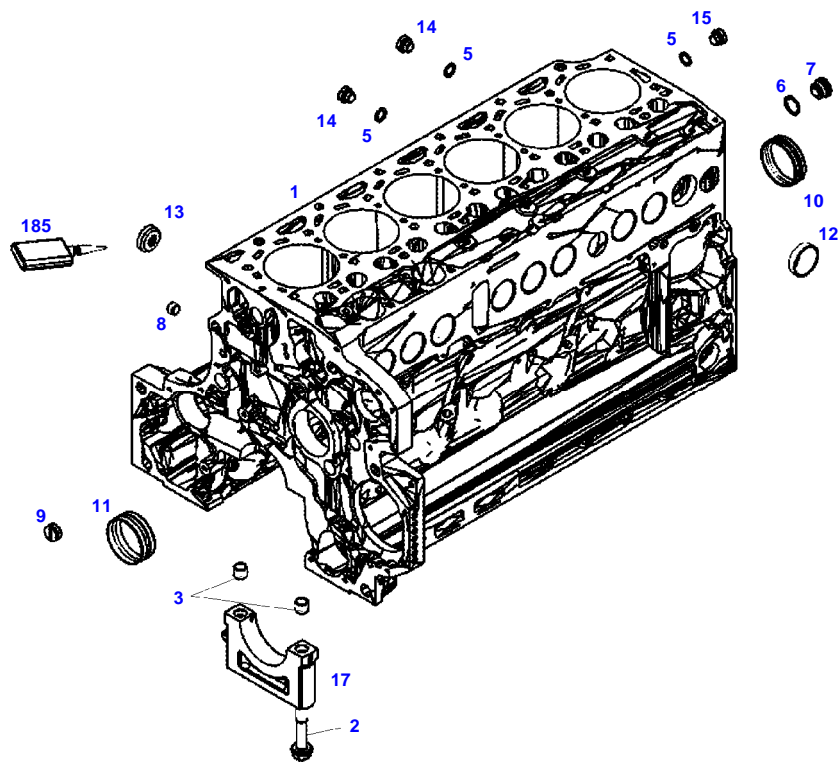
TABLE OF CONTENT

Page Number	Page Title	Page Reference
01-000-TOC	ENGINE, FUEL AND EXHAUST SYSTEM	01-000-TOC
02-000-TOC	AXLES	02-000-TOC
03-000-TOC	STEERING SYSTEM	03-000-TOC
04-000-TOC	DRIVE TRAIN SYSTEM	04-000-TOC
05-000-TOC	COMPRESSED AIR SYSTEM	05-000-TOC
06-000-TOC	HYDRAULIC SYSTEM	06-000-TOC
07-000-TOC	ELECTRICAL SYSTEM	07-000-TOC
08-000-TOC	CAB	08-000-TOC
09-000-TOC	AIR CONDITIONING AND HEATING SYSTEM	09-000-TOC
10-000-TOC	CHASSIS	10-000-TOC
11-000-TOC	WHEELS	11-000-TOC
12-000-TOC	IMPLEMENT LIFT SYSTEM FRONT	12-000-TOC
13-000-TOC	IMPLEMENT LIFT SYSTEM REAR	13-000-TOC
14-000-TOC	LINKAGE	14-000-TOC
15-000-TOC	FRONT/REAR LOADERS	15-000-TOC
16-000-TOC	PRECISION FARMING SYSTEMS	16-000-TOC
17-000-TOC	ACCESSORIES	17-000-TOC



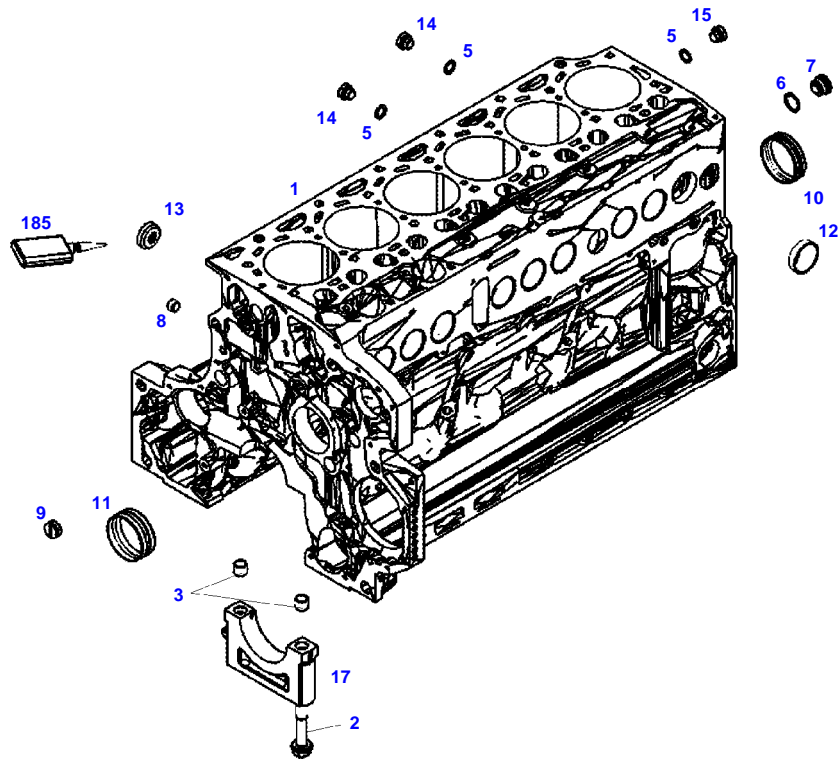
051159

Item	Part Number	Qty	Description Comments	Technical Specification
			ENGINE --> 11615941	
	E742200011100	1	ENGINE	TCD6.1L6
1	F743200210010	1	CRANKCASE SERIES EXECUTION NO LONGER AVAILABLE ><2,3,5-14,17	
	F743200210090	1	CRANKCASE SUBSTITUTION	
2	F716201210030	14	HEXAGONAL HEAD BOLT	
3	F395200210040	14	ADAPTER BUSH	
5	X540204200000	3	SEALING WASHER	DIN 7603 D14X20-CU-VERZINNT
6	F731200210190	1	SEALING WASHER	
7	F731200210150	1	PLUG SCREW	
8	F717200210040	2	SCREW	M14X1,5
9	F001200210030	1	LOCKING PLUG	
10	F836200210450	6	BEARING BUSHING	
11	F836200210380	1	BEARING BUSHING	
12	F119200210070	9	CORE HOLE PLUG	
13	F119200210080	6	CORE HOLE PLUG	
14	X494203800000	3	PLUG	DIN 7604 AM14X1,5-A3L
17			NOT AVAILABLE IN SINGLE PARTS	
185	X903050084000	1	THREADLOCKER	LOCTITE 243 10ML



051160

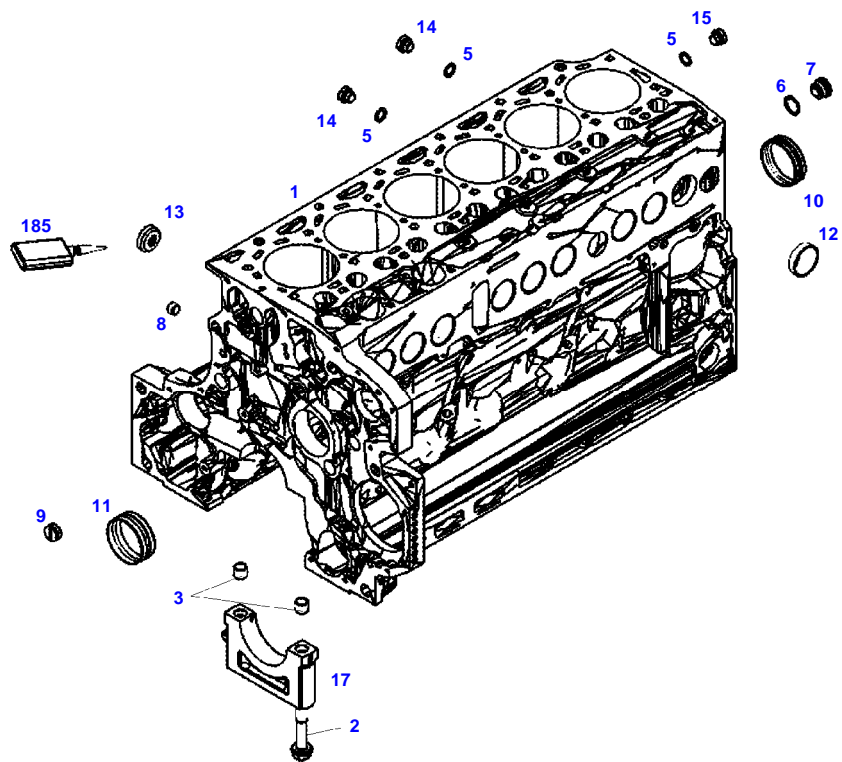
Item	Part Number	Qty	Description Comments	Technical Specification
			ENGINE <-- 11615942 --> 11851091	
	E742200011100	1	ENGINE	TCD6.1L6
1	F743200210020	1	CRANKCASE ><2,3,5-15,17 SERIES EXECUTION NO LONGER AVAILABLE	
	F743200210090	1	CRANKCASE SUBSTITUTION	
2	F716201210030	14	HEXAGONAL HEAD BOLT	
3	F395200210040	14	ADAPTER BUSH	
5	X540204200000	4	SEALING WASHER	DIN 7603 D14X20-CU-VERZINNT
6	F731200210190	1	SEALING WASHER	
7	F731200210150	1	PLUG SCREW	
8	F717200210040	1	SCREW	M14X1,5
9	F001200210030	1	LOCKING PLUG	
10	F743200210030	6	BEARING BUSHING	
11	F836200210380	1	BEARING BUSHING	
12	F119200210070	9	CORE HOLE PLUG	
13	F119200210080	6	CORE HOLE PLUG	
14	X494203800000	3	PLUG	DIN 7604 AM14X1,5-A3L
15	X483800800000	1	PLUG SCREW	DIN 908 M14X1,5-ST
17				
			NOT AVAILABLE IN SINGLE PARTS	
185	X903050084000	1	THREADLOCKER	LOCTITE 243 10ML



051160

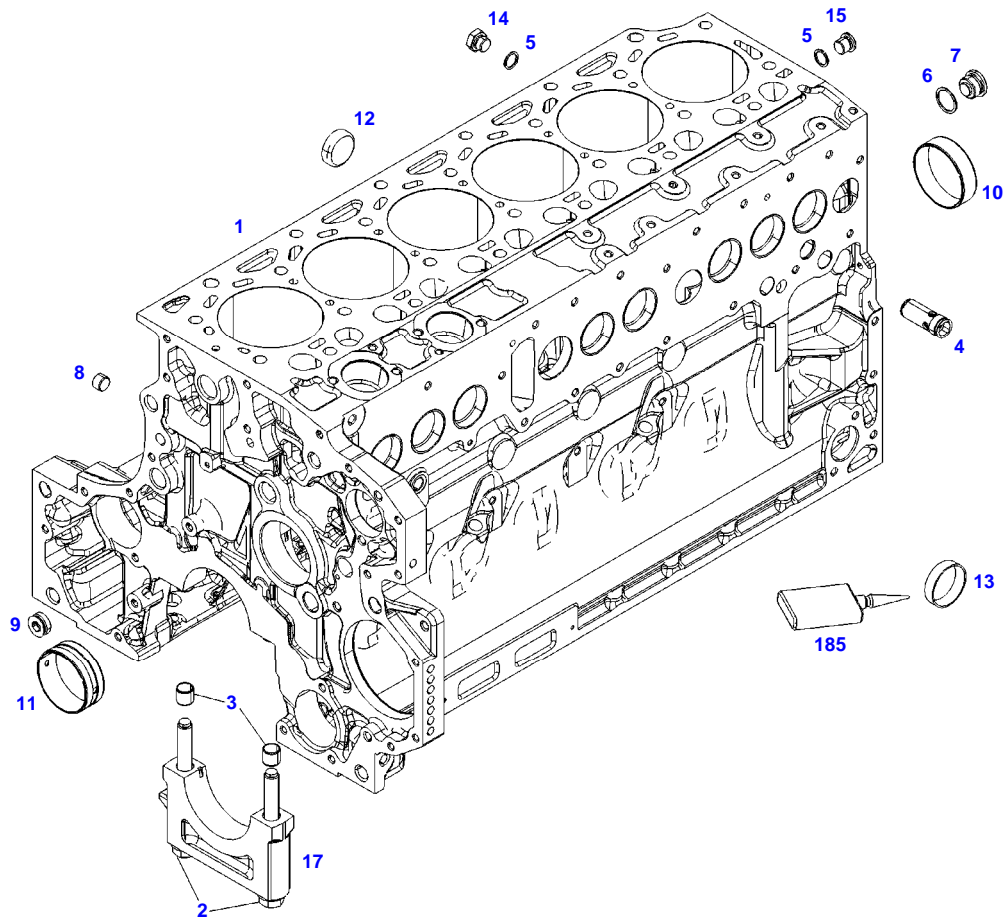
CRANKCASE

Item	Part Number	Qty	Description Comments	Technical Specification
			ENGINE <-- 11851092 --> 11903823	
	E742200011101	1	ENGINE	TCD6.1L6
1	F743200210020	1	CRANKCASE ><2,3,5-15,17 SERIES EXECUTION NO LONGER AVAILABLE	
	F743200210090	1	CRANKCASE SUBSTITUTION	
2	F716201210030	14	HEXAGONAL HEAD BOLT	
3	F395200210040	14	ADAPTER BUSH	
5	X540204200000	4	SEALING WASHER	DIN 7603 D14X20-CU-VERZINNT
6	F731200210190	1	SEALING WASHER	
7	F731200210150	1	PLUG SCREW	
8	F717200210040	1	SCREW	M14X1,5
9	F001200210030	1	LOCKING PLUG	
10	F743200210030	6	BEARING BUSHING	
11	F836200210380	1	BEARING BUSHING	
12	F119200210070	9	CORE HOLE PLUG	
13	F119200210080	6	CORE HOLE PLUG	
14	X494203800000	3	PLUG	DIN 7604 AM14X1,5-A3L
15	X483800800000	1	PLUG SCREW	DIN 908 M14X1,5-ST
17			NOT AVAILABLE IN SINGLE PARTS	
185	X903050084000	1	THREADLOCKER	LOCTITE 243 10ML



051160

Item	Part Number	Qty	Description Comments	Technical Specification
			ENGINE <-- 11903824 --> 11922234	
	E742200011102	1	ENGINE	TCD6.1L6
1	F743200210150	1	CRANKCASE	
2	F716201210030	14	HEXAGONAL HEAD BOLT	
3	F395200210040	14	ADAPTER BUSH	
5	F731200060160	4	SEALING WASHER	DIN7603-14X18-CU-VERZ
6	F731200210190	1	SEALING WASHER	
7	F731200210150	1	PLUG SCREW	
8	F717200210040	1	SCREW	M14X1,5
9	F001200210030	1	LOCKING PLUG	
10	ACP0152940	6	FEMALE BEARING	
11	ACP0152930	1	FEMALE BEARING	
12	F119200210070	9	CORE HOLE PLUG	
13	F119200210080	6	CORE HOLE PLUG	
14	X494203800000	3	PLUG	DIN 7604 AM14X1,5-A3L
15	X483800800000	1	PLUG SCREW	DIN 908 M14X1,5-ST
17				
			NOT AVAILABLE IN SINGLE PARTS	
185	X903050084000	1	THREADLOCKER	LOCTITE 243 10ML

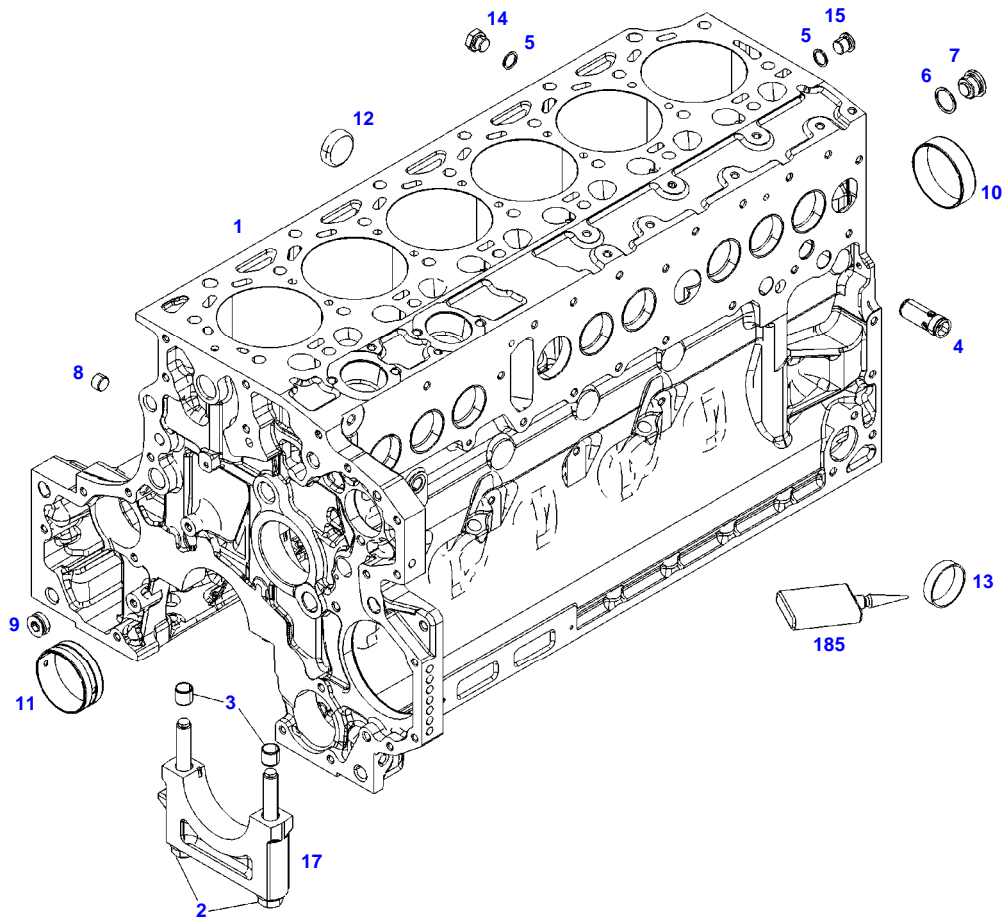


F061603



Item	Part Number	Qty	Description Comments	Technical Specification
			ENGINE	
			<-- 11922235 --> 12299950	
1	F743200210170	1	CRANKCASE	
2	F716201210030	14	HEXAGONAL HEAD BOLT	
3	F395200210040	14	ADAPTER BUSH	
4	F743200210190	1	DISCHARGE VALVE	
5	F731200060160	3	SEALING WASHER	DIN7603-14X18-CU-VERZ
6	F731200210190	1	SEALING WASHER	
7	F731200210150	1	PLUG SCREW	
8	F717200210040	1	SCREW	M14X1,5
9	F001200210030	1	LOCKING PLUG	
10	ACP0152940	6	FEMALE BEARING	
11	ACP0152930	1	FEMALE BEARING	
12	F119200210070	9	CORE HOLE PLUG	
13	F119200210080	6	CORE HOLE PLUG	
14	X494203800000	3	PLUG	DIN 7604 AM14X1,5-A3L
15	X483800800000	1	PLUG SCREW	DIN 908 M14X1,5-ST
17				
			NOT AVAILABLE IN SINGLE PARTS	
185	F716201210220	1	SAFE.LOCK AGENT	

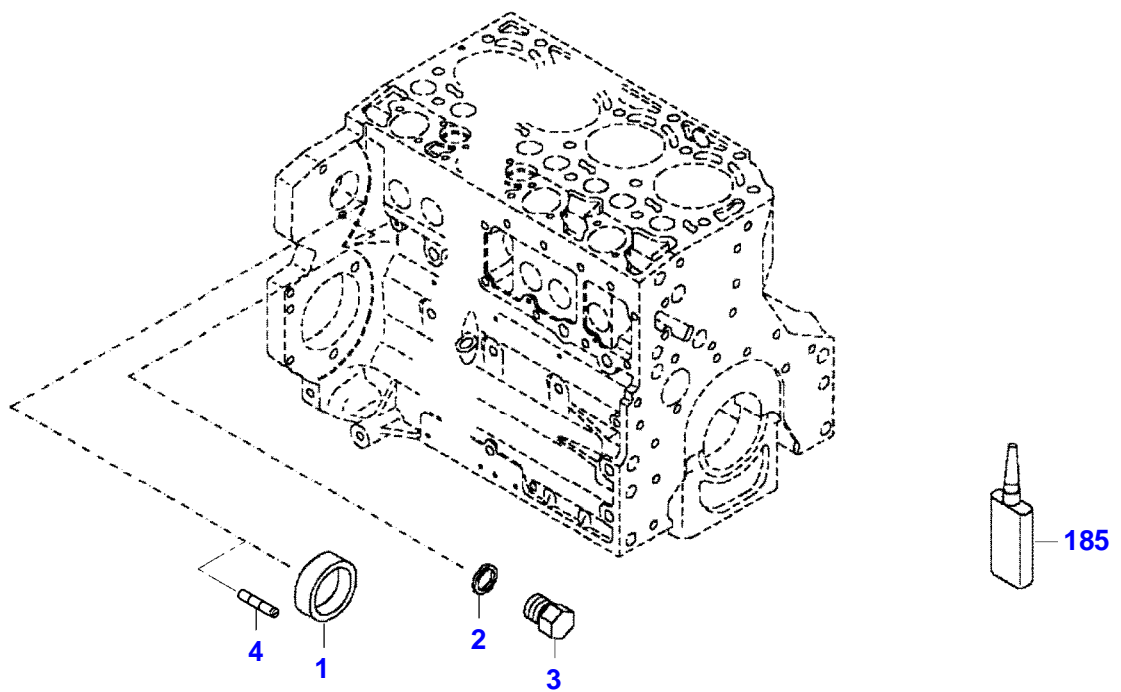
FENDT 722 S4 (NON SCR) (742/01001-06000) (WAM742XXX00F06001-99999)
F061603



F061603

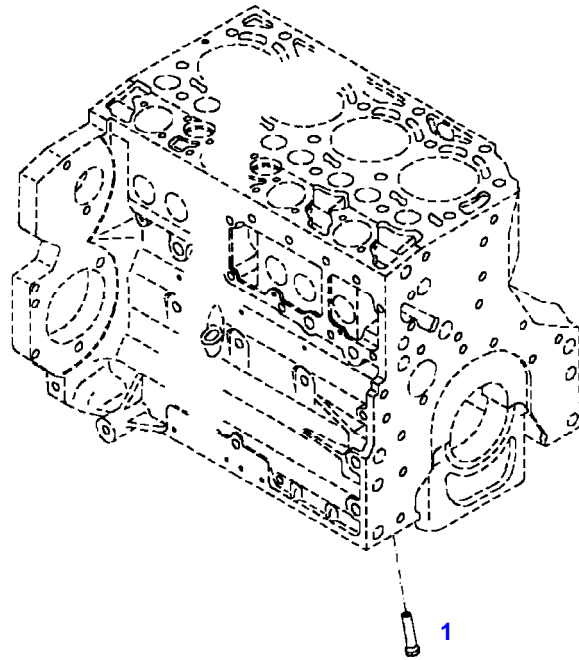


Item	Part Number	Qty	Description Comments	Technical Specification
			FROM ENGINE S/N 12299951	
1	F743200210170	1	CRANKCASE	
2	F716201210030	14	HEXAGONAL HEAD BOLT	
3	F395200210040	14	ADAPTER BUSH	
4	F743200210190	1	DISCHARGE VALVE	
5	F731200060160	3	SEALING WASHER	DIN7603-14X18-CU-VERZ
6	F731200210190	1	SEALING WASHER	
7	F731200210150	1	PLUG SCREW	
8	F717200210040	1	SCREW	M14X1,5
9	F001200210030	1	LOCKING PLUG	
10	ACP0152940	6	FEMALE BEARING	
11	ACP0152930	1	FEMALE BEARING	
12	F119200210070	9	CORE HOLE PLUG	
13	F119200210080	6	CORE HOLE PLUG	
14	X494203800000	3	PLUG	DIN 7604 AM14X1,5-A3L
15	X483800800000	1	PLUG SCREW	DIN 908 M14X1,5-ST
17				
			NOT AVAILABLE IN SINGLE PARTS	
185	F716201210220	1	SAFE.LOCK AGENT	



432327-M-1

Item	Part Number	Qty	Description Comments	Technical Specification
BLANKING PARTS				
1	F416200210110	1	CORE HOLE PLUG UP TO ENGINE NUMBER 11981720	
	F842201210130	1	CAP COVER FROM ENGINE S/N 11981721	
2	X540002478000	2	SEALING WASHER	DIN 7603 A10X13,5-CU
3	F100001215567	2	PLUG	
4	F438200210170	2	THREADED PIN UP TO ENGINE S/N 12473740	
	F438200210390	2	PLUG SCREW STARTING FROM ENGINE SERIAL NUMBER 12473741	
185	F119200210850	1	SAFE.LOCK AGENT UP TO ENGINE NUMBER 11981720	
	F339202710350	1	INSTALLATION AIDS FROM ENGINE S/N 11981721	



7600E0

Fendt

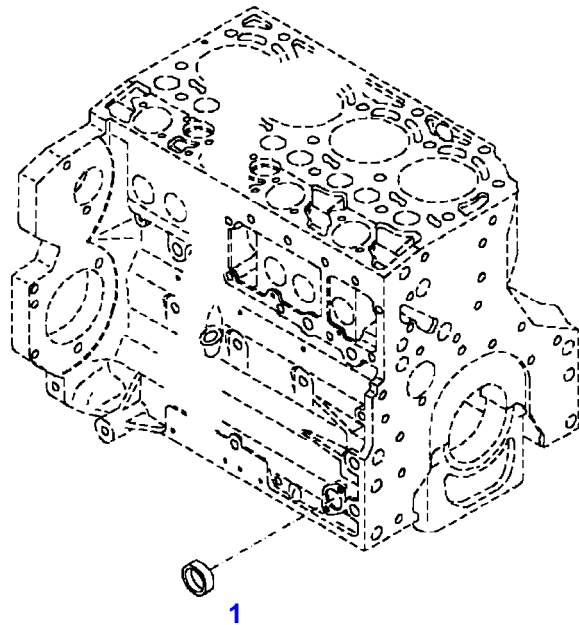
FENDT 722 S4 (NON SCR) (742/01001-06000) (WAM742XXX00F06001-99999)

F742003

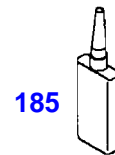
CRANKCASE

Page01-0008

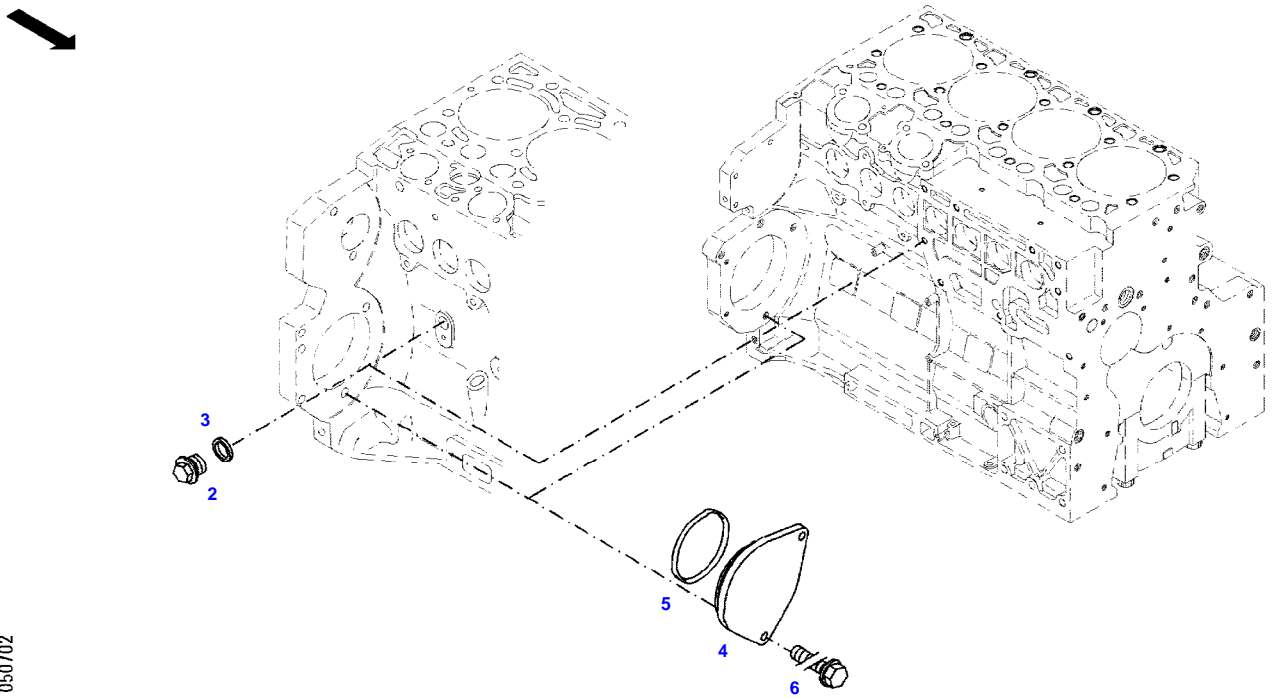
Item	Part Number	Qty	Description Comments
			PISTON COOL.NOZZLE
1	F716201210070	6	PISTON COOLING JET



040194

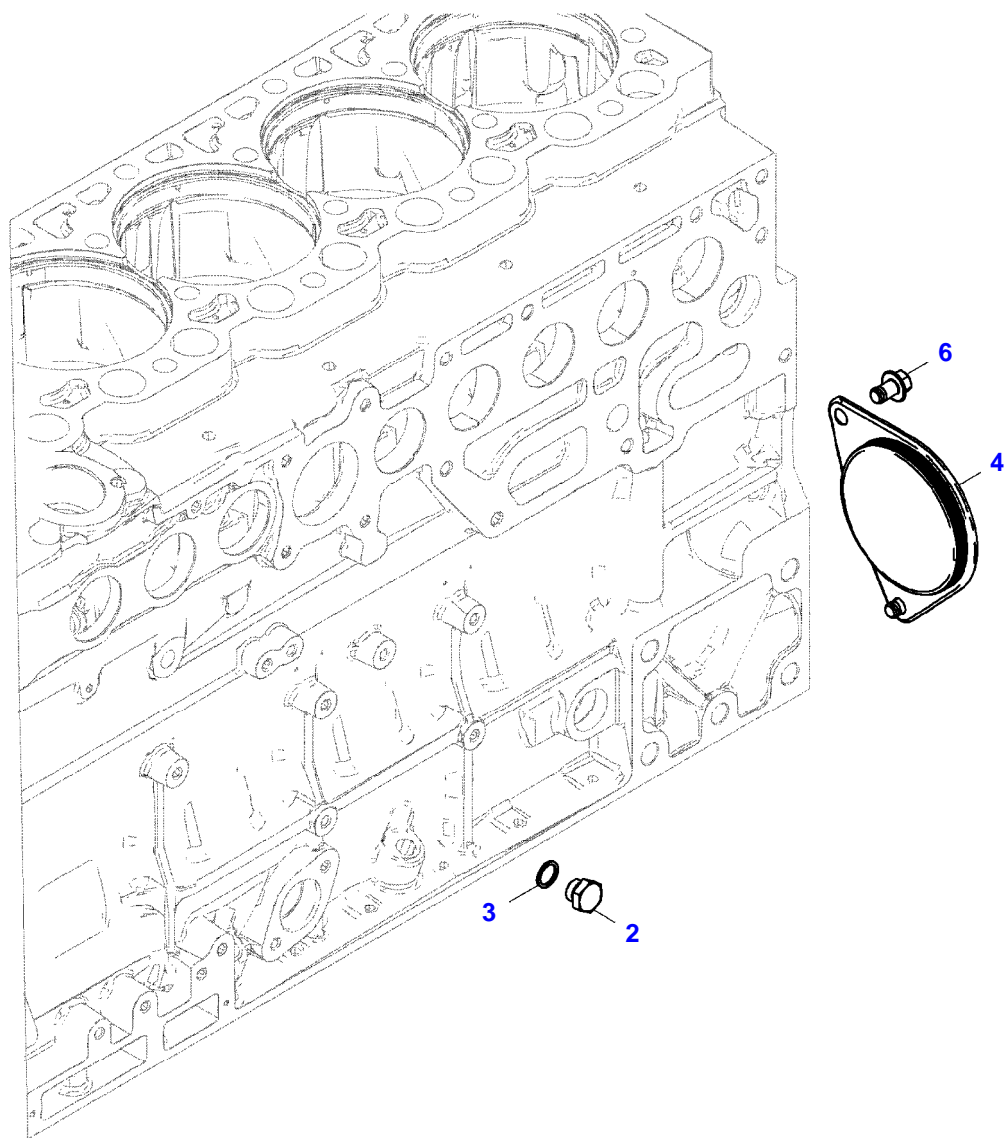


Item	Part Number	Qty	Description Comments
			LOCKING PLUG
1	F119200210080	1	CORE HOLE PLUG UP TO ENGINE NUMBER 11981720
	F842201210140	1	CAP COVER FROM ENGINE S/N 11981721
185	F119200210850	1	SAFE.LOCK AGENT UP TO ENGINE NUMBER 11981720
	F339202710350	1	INSTALLATION AIDS FROM ENGINE S/N 11981721



050702

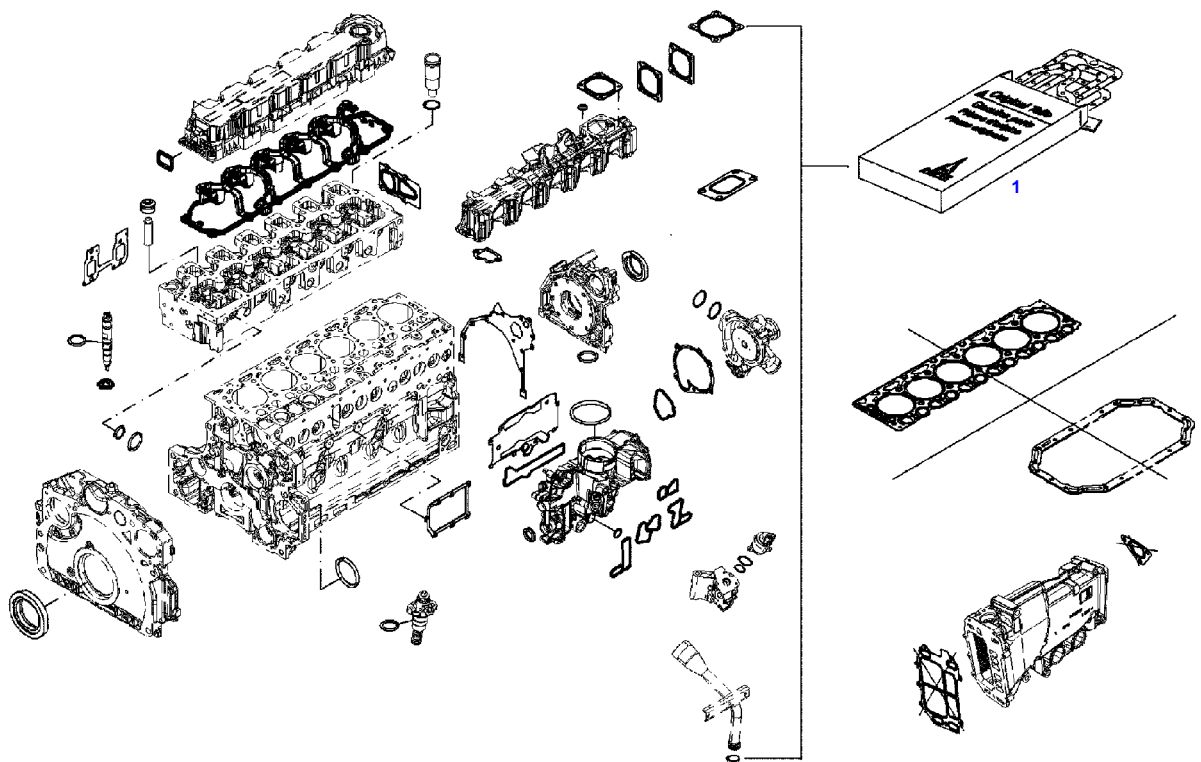
Item	Part Number	Qty	Description Comments	Technical Specification
BLANKING PARTS				
2	X494203800000	1	PLUG NOT NEEDED WITH AIR BRAKE	DIN 7604 AM14X1,5-A3L
3	F731200060160	1	SEALING WASHER NOT NEEDED WITH AIR BRAKE	DIN7603-14X18-CU-VERZ
4	F412201210020	1	COVER NOT NEEDED WITH AIR BRAKE	
5	F716201210090	1	SEAL 96X4MM NOT NEEDED WITH AIR BRAKE	
6	F339900040220	1	HEXAGONAL HEAD BOLT NOT NEEDED WITH AIR BRAKE UP TO 2017-08	M10X20
	F438200210220	1	HEXAGONAL HEAD BOLT NOT NEEDED WITH AIR BRAKE FROM 2017-09	M10X16



25548786-M-1

Item	Part Number	Qty	Description Comments	Technical Specification
			BLANKING PARTS FROM ENGINE S/N 12163344	
2	F954200210410	1	PLUG SCREW NOT NEEDED WITH AIR BRAKE	
3	F731200060160	1	SEALING WASHER NOT NEEDED WITH AIR BRAKE	DIN7603-14X18-CU-VERZ
4	F438200210380	1	COVER NOT NEEDED WITH AIR BRAKE	
6	F438200210220	2	HEXAGONAL HEAD BOLT	M10X16

051161



Fendt

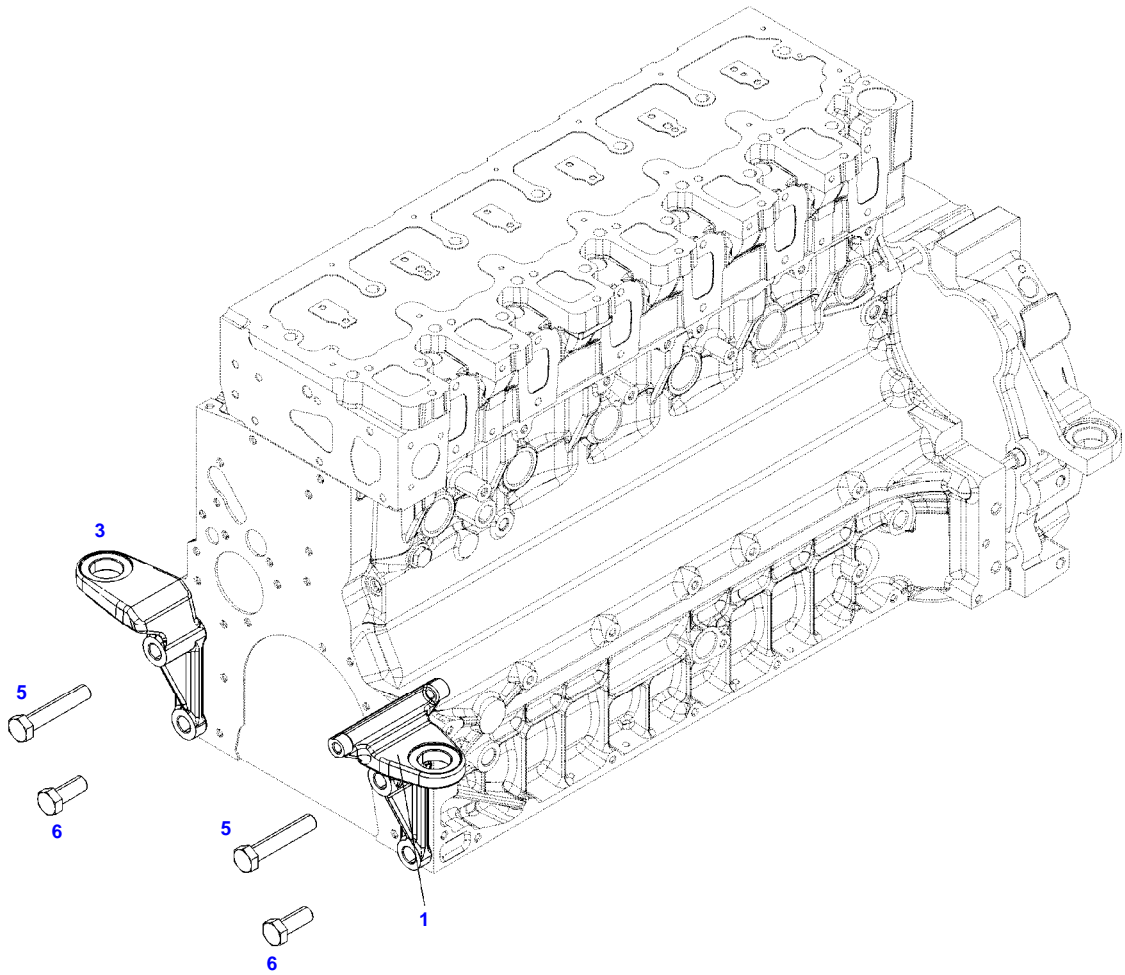
FENDT 722 S4 (NON SCR) (742/01001-06000) (WAM742XXX00F06001-99999)

F742003

SET OF GASKETS - MOTOR

Page01-0012

Item	Part Number	Qty	Description Comments
1	F743200210040	1	SEAL KIT WITHOUT CYLINDER HEAD GASKET



051220



Fendt

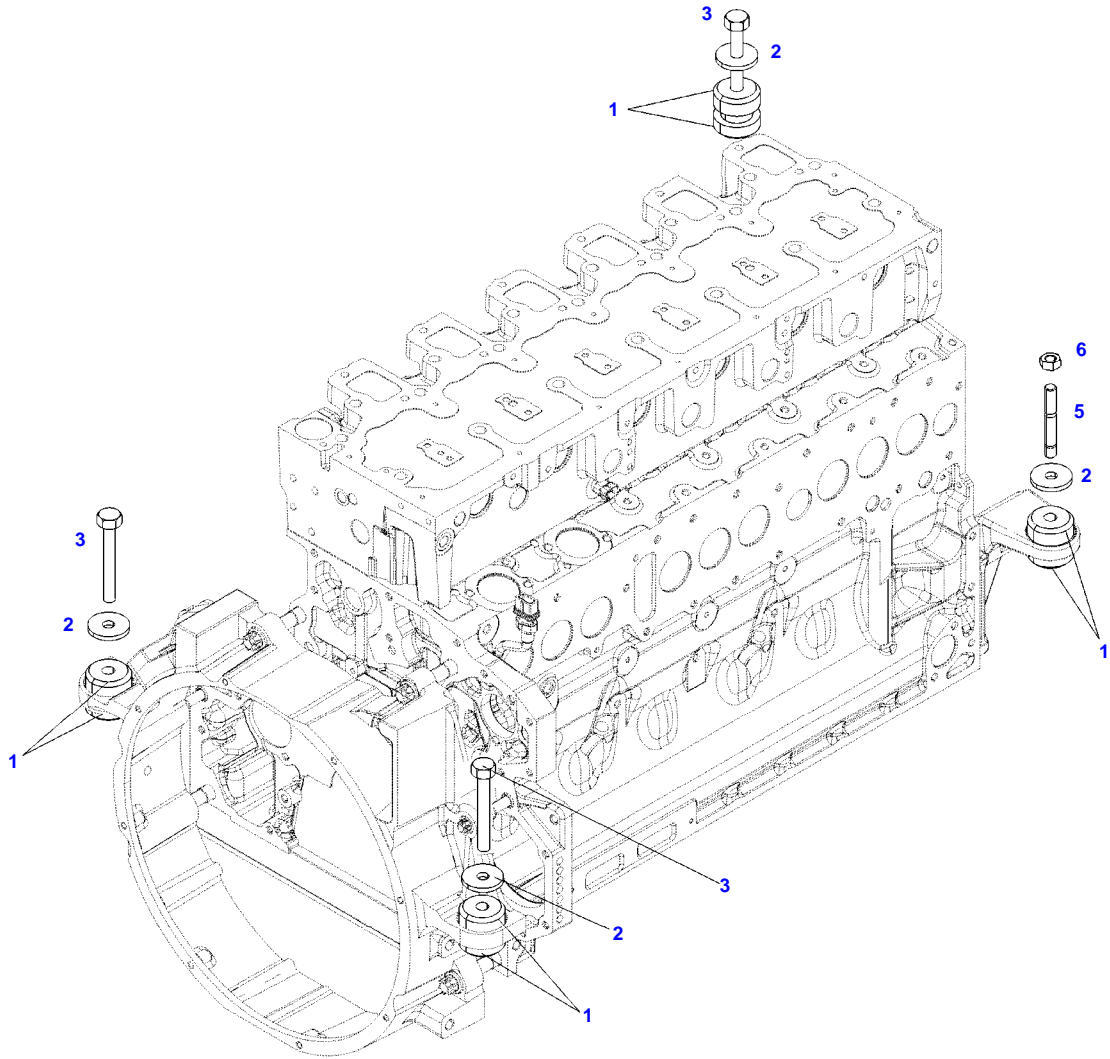
FENDT 722 S4 (NON SCR) (742/01001-06000) (WAM742XXX00F06001-99999)

F742003

ENGINE MOUNTINGS

Page01-0013

Item	Part Number	Qty	Description Comments	Technical Specification
1	416200010070	1	ENGINE SUSPENSION	LI
3	743200011011	1	ENGINE SUSPENSION	R
5	X486546406000	2	HEXAGONAL HEAD BOLT	DIN 931-M16X85 GWA-10.9
6	X487545200000	2	HEXAGONAL HEAD BOLT	DIN 933 M16X40 GWA-10.9



051219



Fendt

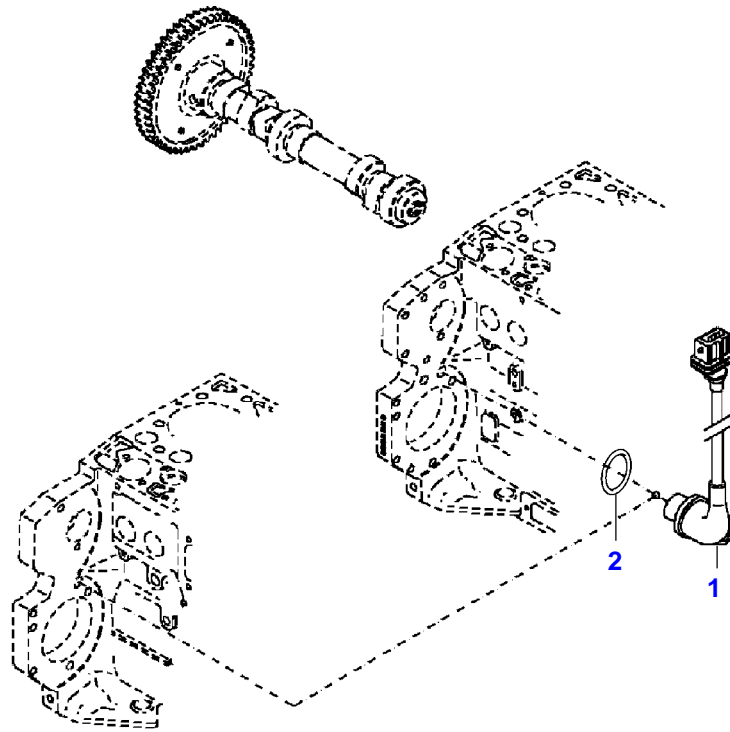
FENDT 722 S4 (NON SCR) (742/01001-06000) (WAM742XXX00F06001-99999)

F742003

ENGINE BEARINGS

Page01-0014

Item	Part Number	Qty	Description Comments	Technical Specification
1	H716201010100	4	ENGINE MOUNT	
2	716200010010	4	DISC	
3	X486536641000	3	HEXAGONAL HEAD BOLT	DIN 931 M12X80-8.8A3L
5	X489136400000	1	SCREW	DIN 939 M12X70-8.8 A3L
6	X428203239000	1	NUT	DIN 934 M12-8A3L



431755-M-1

Thank you so much for reading.
Please click the “Buy Now!”
button below to download the
complete manual.



After you pay.

You can download the most
perfect and complete manual in
the world immediately.

Our support email:

ebooklibonline@outlook.com