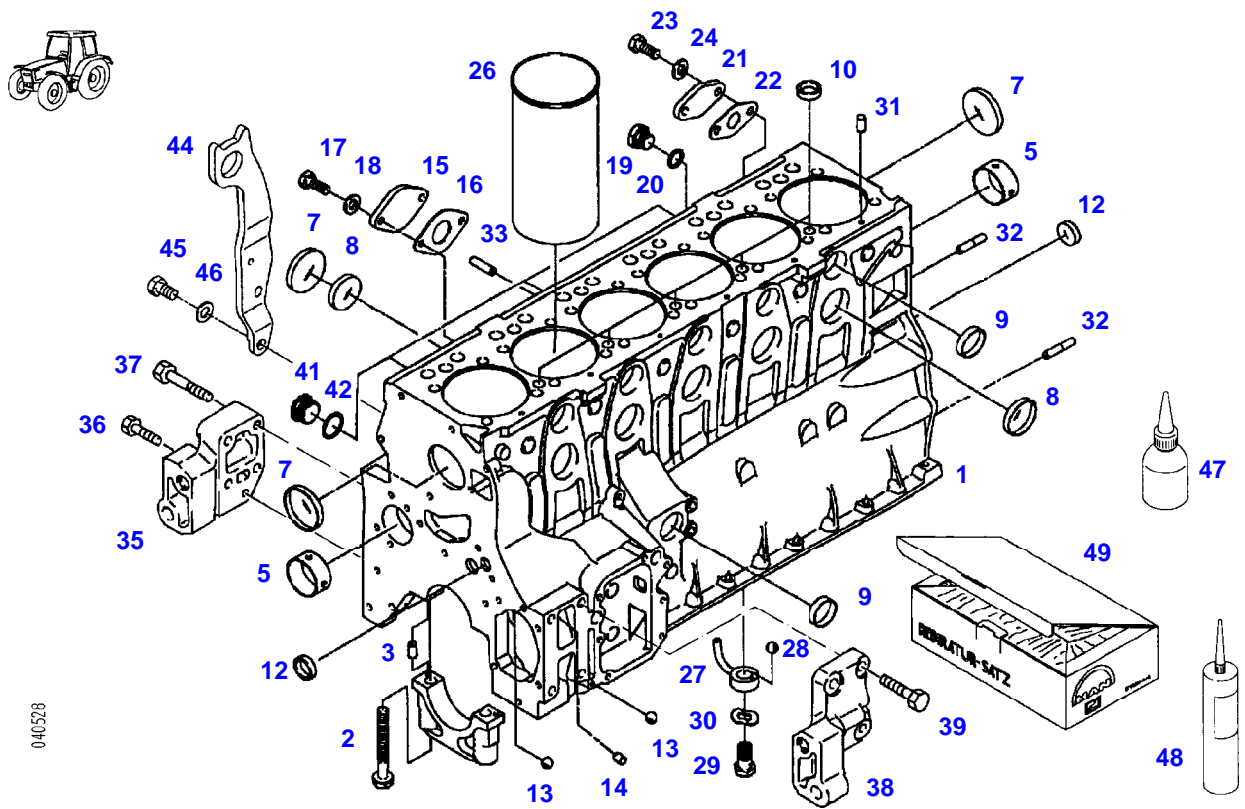


Page Number	Page Title	Page Reference
01-000-TOC	ENGINE, FUEL AND EXHAUST SYSTEM	01-000-TOC
02-000-TOC	AXLES	02-000-TOC
03-000-TOC	STEERING SYSTEM	03-000-TOC
04-000-TOC	DRIVE TRAIN SYSTEM	04-000-TOC
05-000-TOC	COMPRESSED AIR SYSTEM	05-000-TOC
06-000-TOC	HYDRAULIC SYSTEM	06-000-TOC
07-000-TOC	ELECTRICAL SYSTEM	07-000-TOC
08-000-TOC	CAB	08-000-TOC
09-000-TOC	AIR CONDITIONING AND HEATING SYSTEM	09-000-TOC
10-000-TOC	CHASSIS	10-000-TOC
11-000-TOC	WHEELS	11-000-TOC
12-000-TOC	IMPLEMENT LIFT SYSTEM FRONT	12-000-TOC
13-000-TOC	IMPLEMENT LIFT SYSTEM REAR	13-000-TOC
14-000-TOC	ACCESSORIES	14-000-TOC

FAVORIT 824 (824/00101-99999)
40528



040528

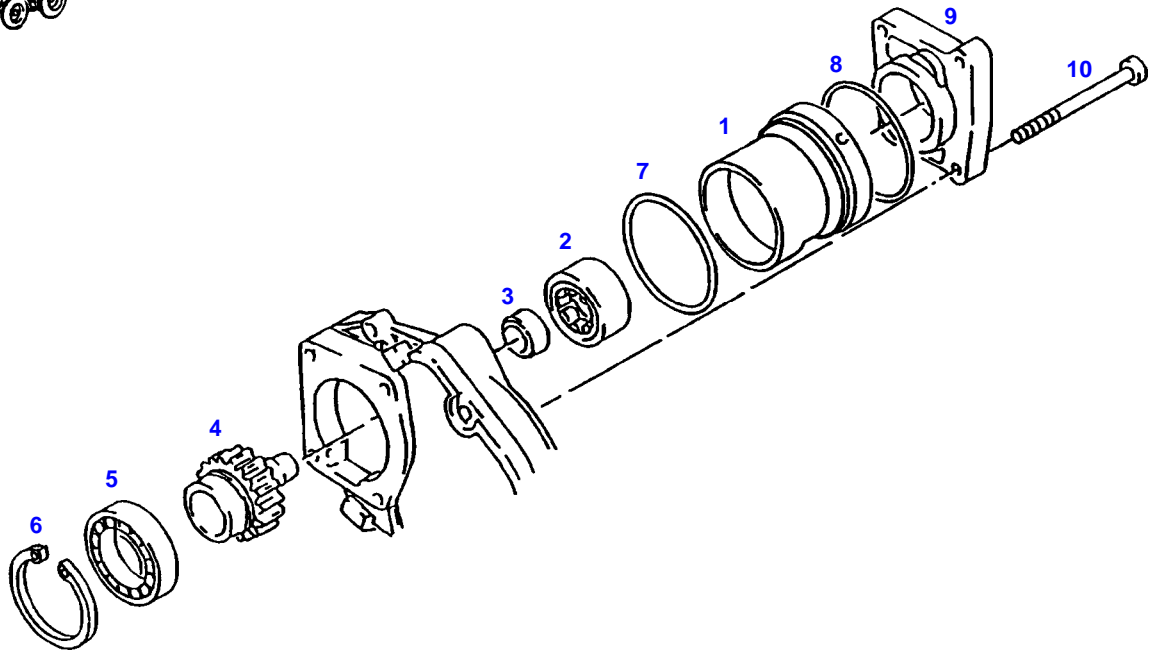
Item	Part Number	Qty	Description Comments	Technical Specification
			ENGINE NUMBER <-- 162 7885 001 ... --> 162 9999 999 ... <-- 162 0000 100 ... --> 162 7199 999 ...	
	72425111	1	SHORT ENGINE	
1	72311577	1	CRANKCASE ><2-24,41,42	
2	72315380	14	WASHER HEAD BOLT	
3	72313719	14	CYLINDER PIN	
5	72316153	4	BEARING CUP 55,07MM	
	72310225	4	BEARING CUP 55,10MM	
7	72417059	8	COVER 62,20MM	
	72311421	8	COVER 63,00MM	
8	72311422	11	COVER 50,20MM	
	72311423	11	COVER 51,00MM	
9	72311424	6	COVER 40,20MM	
	72311425	6	COVER 41,00MM	
10	72311426	5	COVER	
12	72311432	2	COVER	
13	72310168	2	BALL	
14	72314696	1	SEALING PLUG	
15	72312123	1	BLANK FLANGE	
16	72312258	1	SEAL	
17	72315630	2	HEXAGONAL HEAD BOLT	DIN 933 M6X18-8.8A3L
18	72311787	2	DISC	DIN 125-6,4-ST.A3L
19	72315799	1	PLUG	DIN 7604 AM14X1,5-A3L
20	72315094	1	SEALING WASHER	DIN 7603 A14X18-CU
21	72312125	1	FLANGE	
22	72312268	1	SEAL	
23	72315650	2	HEXAGONAL HEAD BOLT	DIN 933 M8 X 20-8.8A3L
24	72311788	2	DISC	DIN 125-8,4-ST.A3L
26	72313100	6	SLEEVE BUSHING	
	72431672	6	CYLINDER LINER COLLAR OVERSIZE 0.20MM	
27	72313230	6	OIL SPLASH NOZZLE ><28	
28			NOT AVAILABLE IN SINGLE PARTS	
29	72317037	6	OIL PRESSURE VALVE	
30	72317123	6	SPRING WASHER	DIN 137 B12-ZNPHR
31	72313719	6	CYLINDER PIN	
32	72313721	2	CENTERING PIN	
33	72313829	1	TENSIONING PIN	ISO8752-8X32-A-ST
35	72428719	1	ENGINE SUPPORT	
36	72315686	1	HEXAGONAL HEAD BOLT	DIN 933-M10X35-12.9
37	72315559	4	HEXAGONAL HEAD BOLT	DIN 931 M12X60 GWA-10.9
38	72428720	1	ENGINE SUPPORT	
39	72315713	4	HEXAGONAL HEAD BOLT	DIN 933 M12X40 GWA-10.9
41	72315445	3	PLUG	DIN 908 M30X1,5-ST
42	72315105	3	SEALING WASHER	DIN 7603 A30X36-CU

Item	Part Number	Qty	Description Comments	Technical Specification
44	72346279	1	EYE ENG.NO. <-- 162 7885 001 ... --> 162 8145 569 ... <-- 162 8145 571 ... --> 162 8254 572 ...	
	72312042	1	SUSPENSION EYE ENG.NO. <-- 162 8145 570 ... --> 162 8145 570 ... <-- 162 8254 573 ... --> 162 9999 999 ... <-- 162 0000 100 ... --> 162 7199 999 ...	
45	72315721	1	HEXAGONAL HEAD BOLT	DIN 933 M14X25-8.8A3L
46	72311792	1	DISC	DIN125-15-ST
47	72313159	1	ADHESIVE	LOCTITE 648 50ML
48	72311273	1	SEALING COMPOUND	TEROST-63S
49	72312365	1	SEAL KIT <>	
	72426464	24	HEX BOLT, WITH COLLAR	

FAVORIT 824 (824/00101-99999)
8733

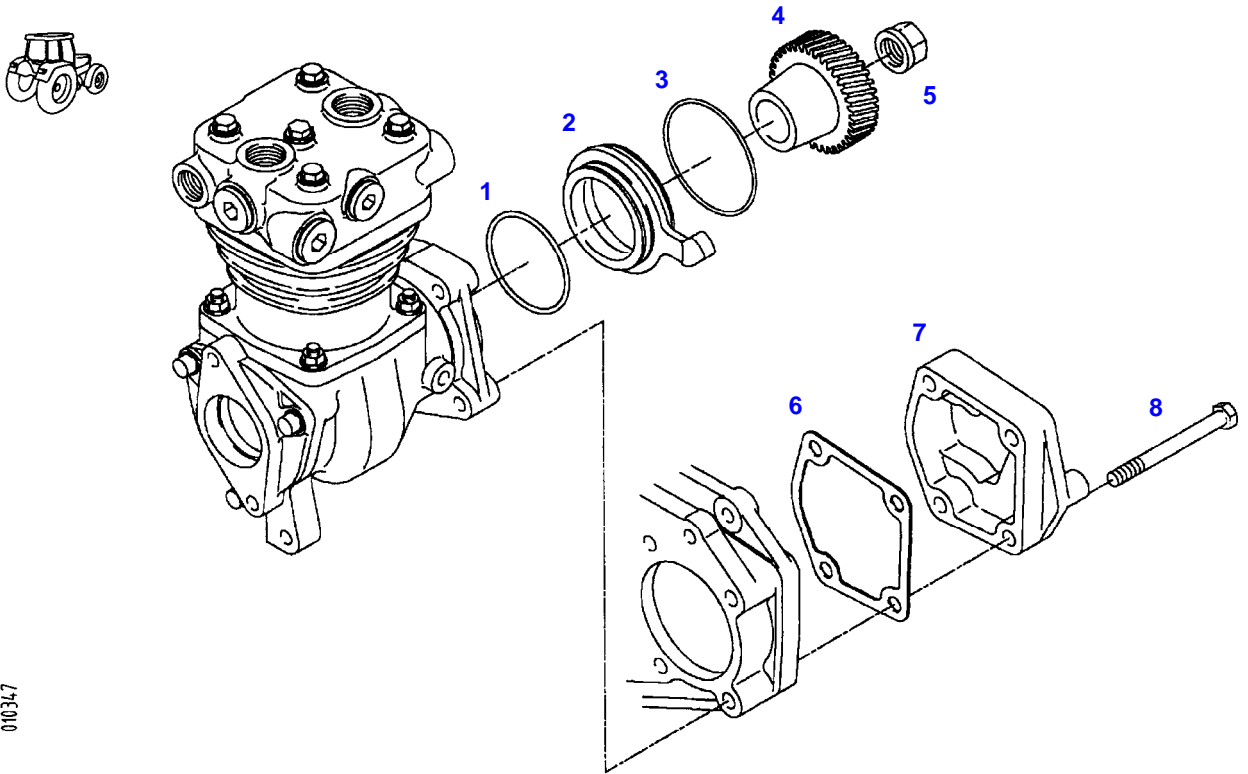


8733



Item	Part Number	Qty	Description Comments	Technical Specification
			<-- 824/0101 --> 824/0200 <-- 824/1001 --> 824/2000	
1	72346320	1	ECCENTRIC	
2	72346321	1	BALL BEARING	
3	72346322	1	INNER RING	
4	72346323	1	DRIVE GEAR	
5	72366084	1	DEEP GROOVE BALL BEARING	
6	72311103	1	LOCK WASHER	DIN 472-75X2,5
7	72313390	1	O-RING	
8	72313535	1	SEAL	
9	72346325	1	BEARING FLANGE	
10	72374037	4	SOCKET HEAD BOLT	DIN 912 M8X120-10.9

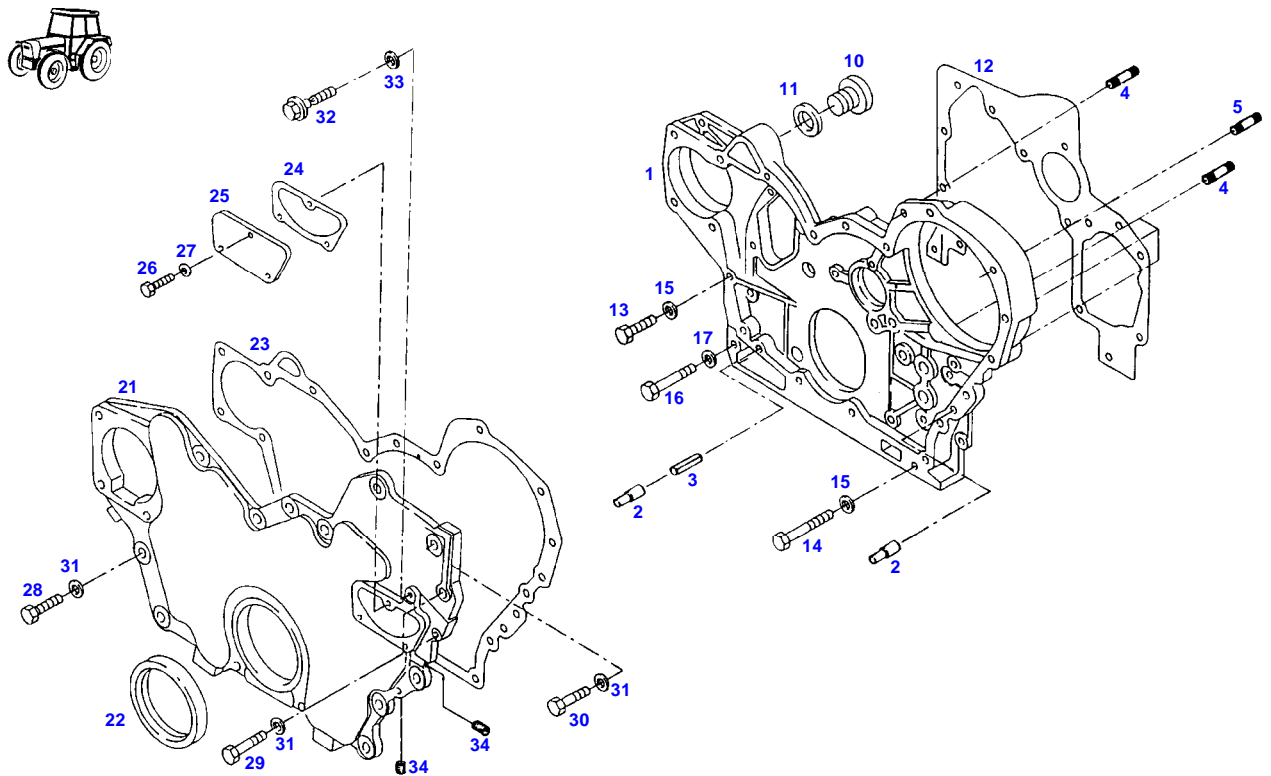
FAVORIT 824 (824/00101-99999)
10347



010347

Item	Part Number	Qty	Description Comments	Technical Specification
			<-- 824/0201 --> 824/0300 <-- 824/2001	
1	72313536	1	SEAL	
2	72312004	1	ECCENTRIC	
3	72313390	1	O-RING	
4	72417063	1	DRIVE GEAR	
5	72313333	1	WHEEL NUT	DIN74361-B20-8
6	72312269	1	SEAL	
7	72311433	1	COVER	
8	72315551	4	HEXAGONAL HEAD BOLT	DIN 931 M10X100-8.8

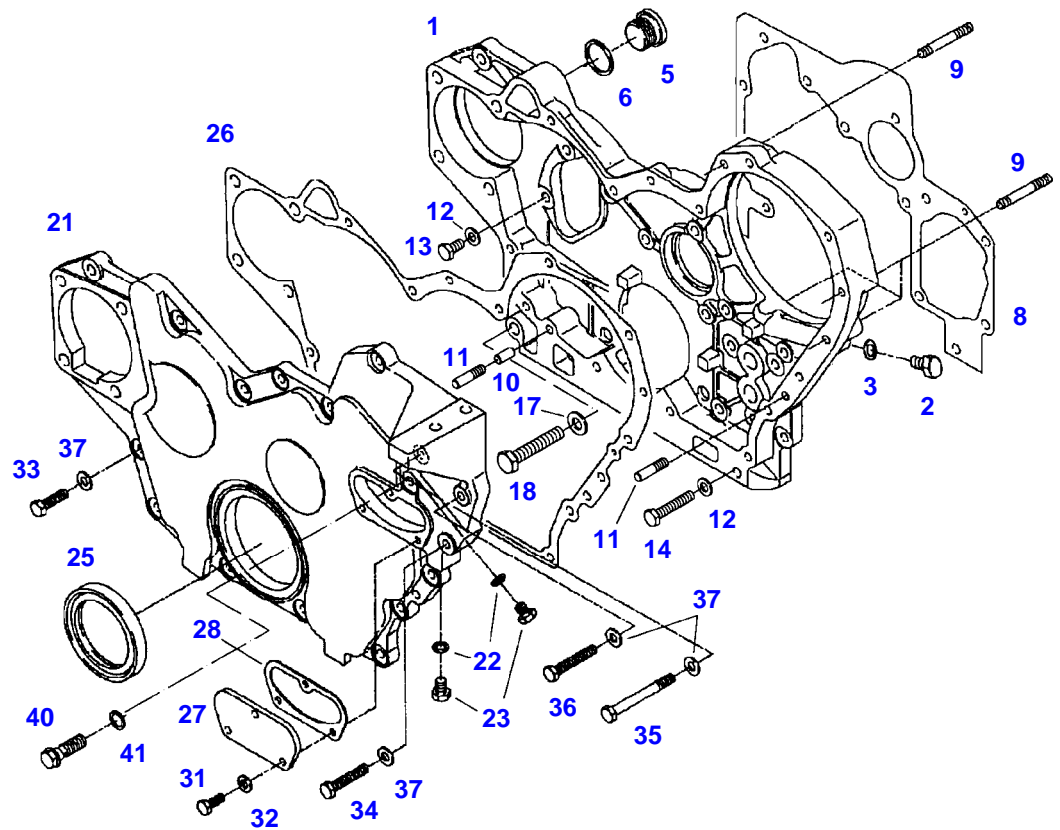
FAVORIT 824 (824/00101-99999)
10467



10467

Item	Part Number	Qty	Description Comments	Technical Specification
			<-- 824/0101 --> 824/0200 <-- 824/1001 --> 824/2000	
1	72346280	1	CONTROL HOUSING <-- F926.200.210.010	
2	72313720	2	CENTERING PIN	
3	72313848	1	TENSIONING PIN	ISO8750-8X16-ST
4	72373908	4	STUD BOLT	DIN 835-M8X45-8.8-ZNPHR3F
5	72373907	1	STUD BOLT	DIN 835 M8X35-8.8
10	72315802	1	SCREW	DIN 7604 AM22X1,5-ST
11	72315101	1	SEALING WASHER	DIN 7603 A22X27-CU
12	72312259	1	SEAL	
13	72315653	11	HEXAGONAL HEAD BOLT	DIN 933 M8 X 25-8.8A3L
14	72315529	1	HEXAGONAL HEAD BOLT	DIN 931 M8X50-8.8A3L
15	72311788	12	DISC	DIN 125-8,4-ST.A3L
16	72315544	1	HEXAGONAL HEAD BOLT	DIN 931 M10X50-8.8A3L
17	72311789	1	DISC	DIN 125-10,5-ST.A3L
21	72346315	1	COVER ><34 <-- F926.200.210.020	
22	72346310	1	SHAFT SEALING RINGS	
23	72312260	1	SEAL	
24	72312261	1	SEAL	
25	72311419	1	COVER	
26	72315625	3	HEXAGONAL HEAD BOLT	DIN 933 M6X16-8.8
27	72311787	3	DISC	DIN 125-6,4-ST.A3L
28	72315657	12	HEXAGONAL HEAD BOLT	DIN 933 M8 X 30-8.8A3L
29	72315665	2	HEXAGONAL HEAD BOLT	DIN 933 M8X45-8.8A3L
30	72315535	1	HEXAGONAL HEAD BOLT	DIN 931 M8X75 GWA-10.9
31	72311788	15	DISC	DIN 125-8,4-ST.A3L
32	72315379	1	SCREW	
33	72315087	1	SEALING WASHER	DIN 7603 A8X14-CU
34	72372530	2	THREADED PIN	DIN 551-M6X10-14H

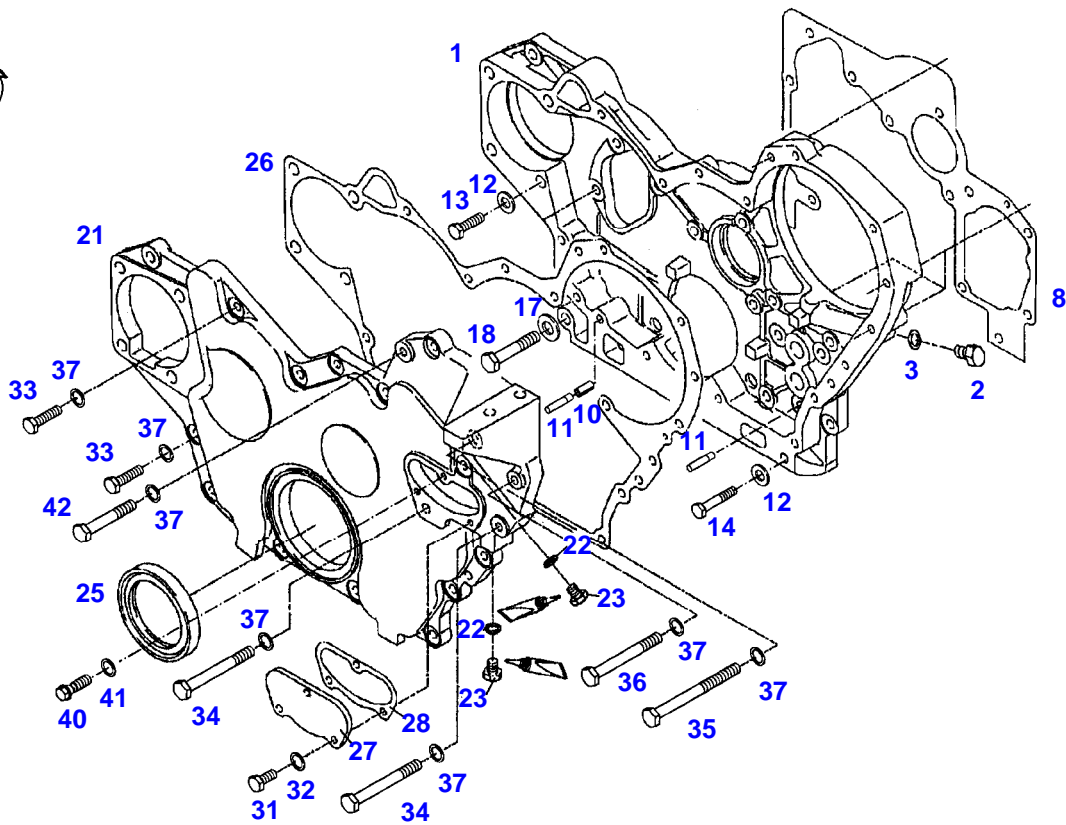
FAVORIT 824 (824/00101-99999)
10139



010139

Item	Part Number	Qty	Description Comments	Technical Specification
			<-- 824/0201 --> 824/0300 <-- 824/2001 --> 824/4038 <-- 824/4040 --> 824/4040	
1	72312752	1	CONTROL HOUSING ><2-6	
2	72315627	1	HEXAGONAL HEAD BOLT	DIN 933 M6X8-8.8A3L
3	72315084	1	SEALING WASHER	DIN 7603 A6X10-CU
5	72315442	1	PLUG	DIN 908 M22X1,5-ST
6	72315101	1	SEALING WASHER	DIN 7603 A22X27-CU
8	72312259	1	SEAL	
9	72313755	4	STUD BOLT	DIN 835 M8X50-8.8-ZNP
10	72313848	1	TENSIONING PIN	ISO8750-8X16-ST
11	72313720	2	CENTERING PIN	
12	72311788	12	DISC	DIN 125-8,4-ST.A3L
13	72315653	11	HEXAGONAL HEAD BOLT	DIN 933 M8 X 25-8.8A3L
14	72315529	1	HEXAGONAL HEAD BOLT	DIN 931 M8X50-8.8A3L
17	72311789	1	DISC	DIN 125-10,5-ST.A3L
18	72315544	1	HEXAGONAL HEAD BOLT	DIN 931 M10X50-8.8A3L
21	72311431	1	COVER ><22+23	
22	72315084	2	SEALING WASHER	DIN 7603 A6X10-CU
23	72315627	2	HEXAGONAL HEAD BOLT	DIN 933 M6X8-8.8A3L
25	72346310	1	SHAFT SEALING RINGS	
26	72312260	1	SEAL	
27	72311419	1	COVER	
28	72312261	1	SEAL	
31	72315625	3	HEXAGONAL HEAD BOLT	DIN 933 M6X16-8.8
32	72311787	3	DISC	DIN 125-6,4-ST.A3L
33	72315657	12	HEXAGONAL HEAD BOLT	DIN 933 M8 X 30-8.8A3L
34	72315665	1	HEXAGONAL HEAD BOLT	DIN 933 M8X45-8.8A3L
35	72315535	1	HEXAGONAL HEAD BOLT	DIN 931 M8X75 GWA-10.9
36	72315668	1	HEXAGONAL HEAD BOLT	DIN 933 M8X50-8.8A3L
37	72311788	15	DISC	DIN 125-8,4-ST.A3L
40	72315379	1	SCREW	
41	72315086	1	SEALING WASHER	DIN 7603 A8X11,5-CU

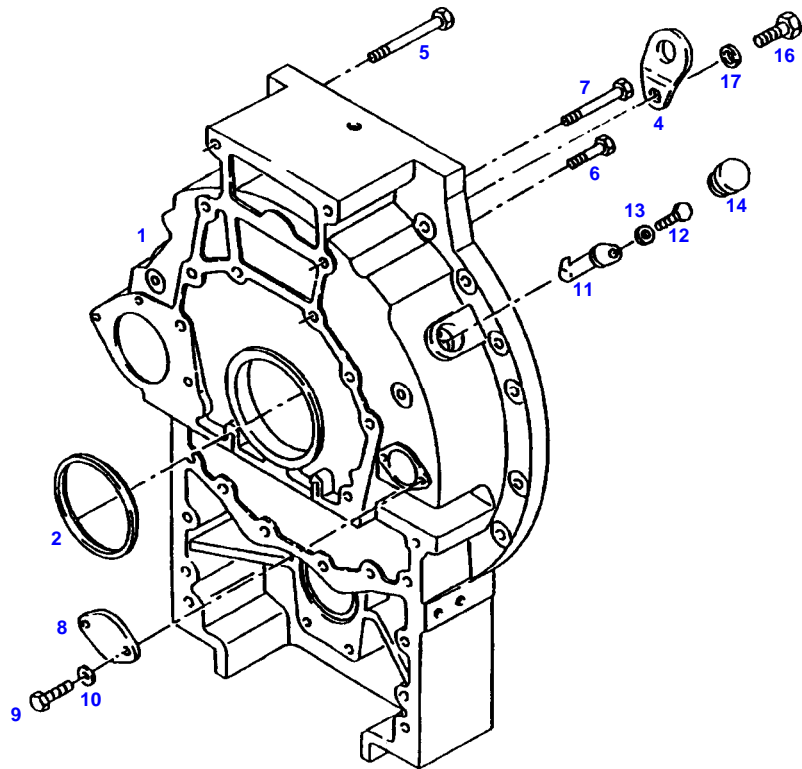
FAVORIT 824 (824/00101-99999)
32035



032035

Item	Part Number	Qty	Description Comments	Technical Specification
			<-- 824/4039 --> 824/4039 <-- 824/4041	
1	72425933	1	CONTROL HOUSING ><2-6	
2	72315627	1	HEXAGONAL HEAD BOLT	DIN 933 M6X8-8.8A3L
3	72417153	1	SEALING WASHER	
8	72312259	1	SEAL	
10	72313848	1	TENSIONING PIN	ISO8750-8X16-ST
11	72313720	2	CENTERING PIN	
12	72311788	12	DISC	DIN 125-8,4-ST.A3L
13	72315653	11	HEXAGONAL HEAD BOLT	DIN 933 M8 X 25-8.8A3L
14	72315529	1	HEXAGONAL HEAD BOLT	DIN 931 M8X50-8.8A3L
17	72311789	1	DISC	DIN 125-10,5-ST.A3L
18	72315544	1	HEXAGONAL HEAD BOLT	DIN 931 M10X50-8.8A3L
21	72425934	1	COVER ><22+23	
22	72315084	2	SEALING WASHER	DIN 7603 A6X10-CU
23	72315627	2	HEXAGONAL HEAD BOLT	DIN 933 M6X8-8.8A3L
25	72346310	1	SHAFT SEALING RINGS	
26	72425935	1	SEAL	
27	72425936	1	COVER	
28	72425937	1	SEAL	
31	72315625	3	HEXAGONAL HEAD BOLT	DIN 933 M6X16-8.8
32	72311787	3	DISC	DIN 125-6,4-ST.A3L
33	72315657	12	HEXAGONAL HEAD BOLT	DIN 933 M8 X 30-8.8A3L
34	72374162	2	HEXAGONAL HEAD BOLT	DIN 931 M8X75-8.8
35	72425955	1	HEXAGONAL HEAD BOLT	DIN 931 M8X105-10.9
36	72315538	1	HEXAGONAL HEAD BOLT	DIN 931-M8X80-10.9-ZNPHR3F
37	72311788	15	DISC	DIN 125-8,4-ST.A3L
40	72315379	1	SCREW	
41	72315086	1	SEALING WASHER	DIN 7603 A8X11,5-CU
42	72374161	1	HEXAGONAL HEAD BOLT	DIN 931 M8X60 GWA-10.9

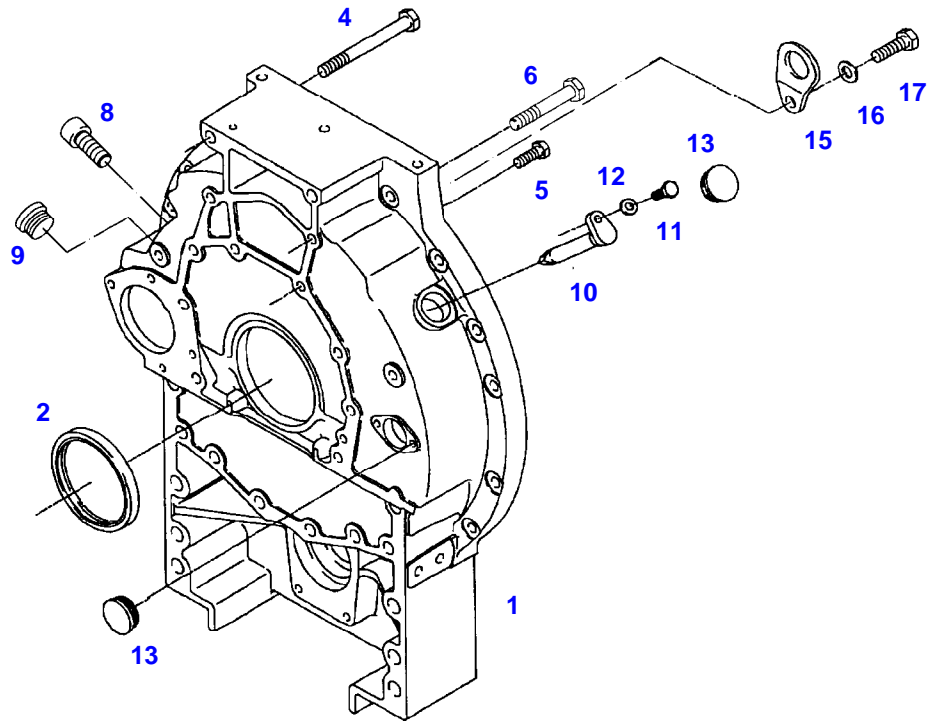
FAVORIT 824 (824/00101-99999)
8727



8727

Item	Part Number	Qty	Description Comments	Technical Specification
			ENGINE NUMBER <-- 162 7200 000 --> 162 7996 999	
1	72346334	1	FLYWHEEL HOUSING <-- F926.200.210.080 1X <>	
	72346444	1	LOCKING PLUG	
2	72315031	1	SHAFT SEALING RINGS	
4	72312041	1	EYE	
5	72315580	2	HEXAGONAL HEAD BOLT	DIN931-M14X140-10.9-ZNPHR3F
6	72315710	8	HEXAGONAL HEAD BOLT	DIN 933-M12X35 GWA-10.9
7	72315567	2	HEXAGONAL HEAD BOLT	DIN 931 M12X100 GWA-10.9
8	72312124	1	BLANK FLANGE	
9	72315653	2	HEXAGONAL HEAD BOLT	DIN 933 M8 X 25-8.8A3L
10	72311788	2	DISC	DIN 125-8,4-ST.A3L
11	72346286	1	POINTER	
12	72315625	1	HEXAGONAL HEAD BOLT	DIN 933 M6X16-8.8
13	72311787	1	DISC	DIN 125-6,4-ST.A3L
14	72314695	1	LOCKING PLUG	
16	72315721	1	HEXAGONAL HEAD BOLT	DIN 933 M14X25-8.8A3L
17	72311792	1	DISC	DIN125-15-ST

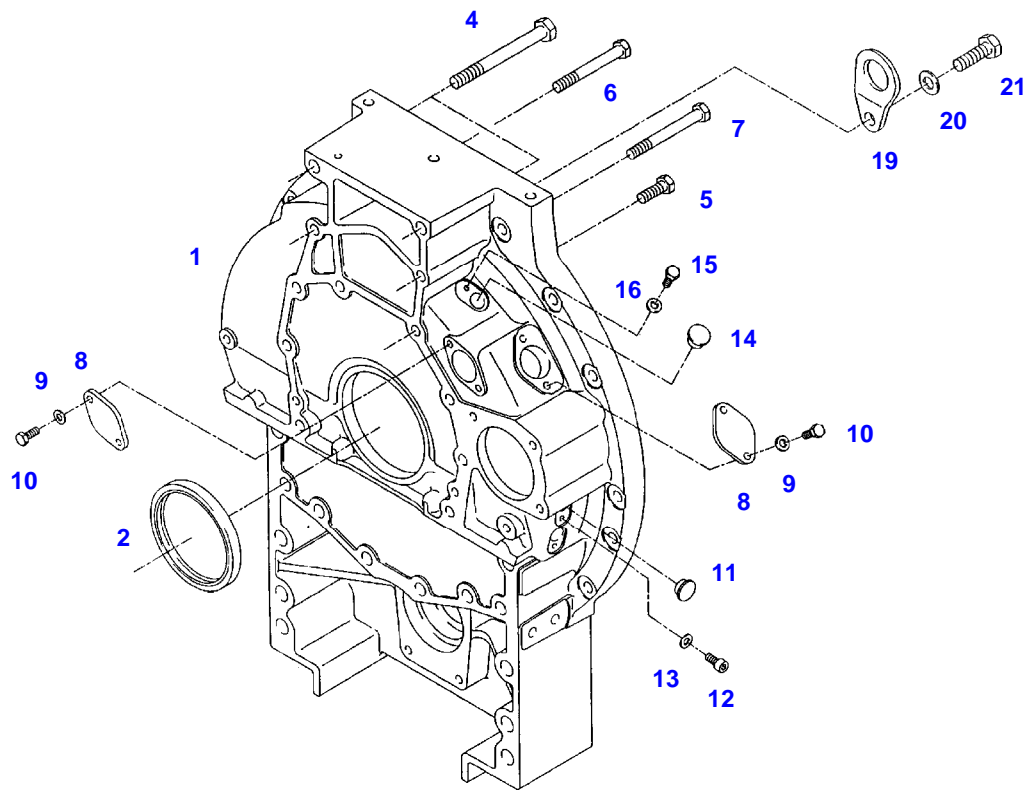
FAVORIT 824 (824/00101-99999)
10558



010558

Item	Part Number	Qty	Description Comments	Technical Specification
			ENGINE NUMBER <-- 162 7997 001 --> 162 8847 620 9999	
1	72347062	1	FLYWHEEL HOUSING ><2	
2	72315031	1	SHAFT SEALING RINGS	
4	72315580	2	HEXAGONAL HEAD BOLT	DIN931-M14X140-10.9-ZNPHR3F
5	72315710	8	HEXAGONAL HEAD BOLT	DIN 933-M12X35 GWA-10.9
6	72315567	2	HEXAGONAL HEAD BOLT	DIN 931 M12X100 GWA-10.9
8	72374017	1	SOCKET HEAD BOLT	DIN 912 M8X12-8.8
9	72346444	1	LOCKING PLUG	
10	72346286	1	POINTER	
11	72315625	1	HEXAGONAL HEAD BOLT	DIN 933 M6X16-8.8
12	72311787	1	DISC	DIN 125-6,4-ST.A3L
13	72314695	2	LOCKING PLUG	
15	72312041	1	EYE	
16	72311792	2	DISC	DIN125-15-ST
17	72315721	2	HEXAGONAL HEAD BOLT	DIN 933 M14X25-8.8A3L

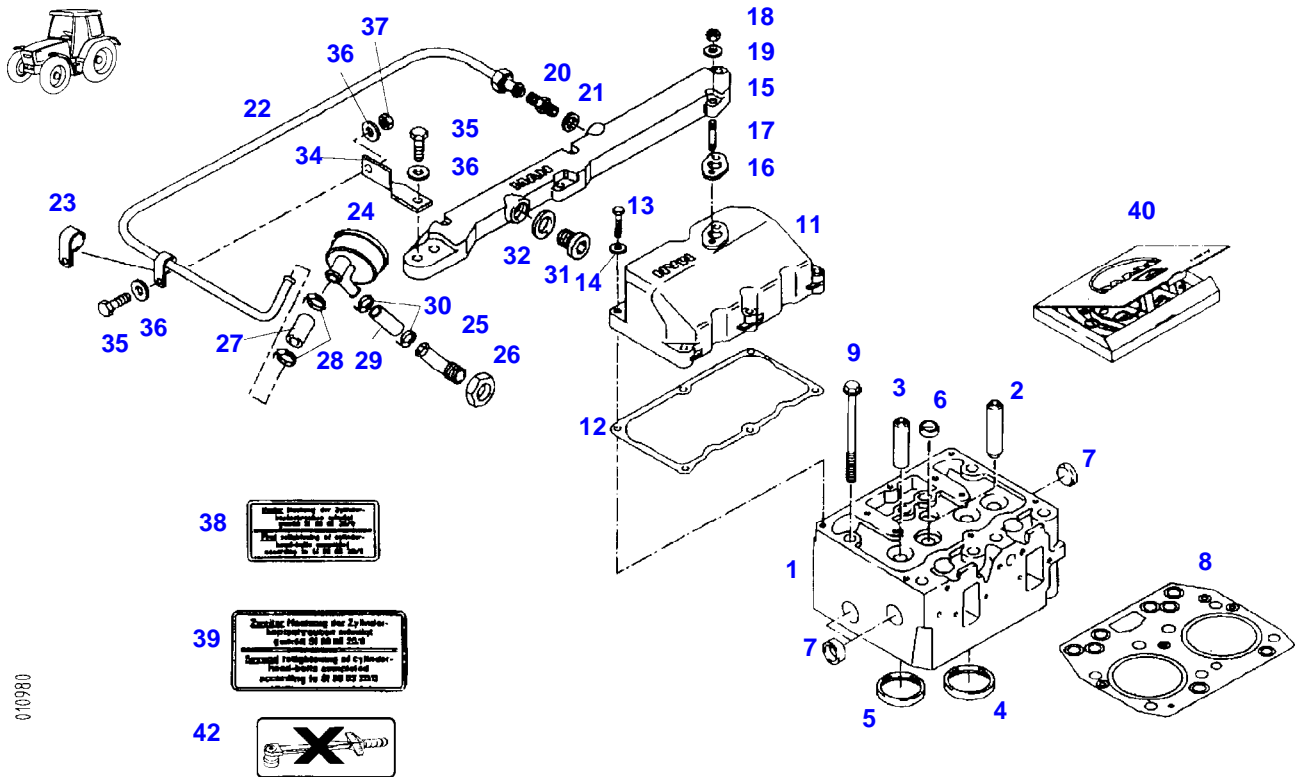
FAVORIT 824 (824/00101-99999)
40412



040412

Item	Part Number	Qty	Description Comments	Technical Specification
			ENGINE NUMBER <-- 162 8847 621 0000 --> 162 9999 999 <-- 162 0000 100 --> 162 7199 999	
1	72415318	1	FLYWHEEL HOUSING ><2 ENG.NO. <-- 162 8847 621 <> --> 162 8854 999 <> <>	
	72315569	1	HEXAGONAL HEAD BOLT	DIN 931 M12X110 GWA-10.9
	72315084	1	SEALING WASHER	DIN 7603 A6X10-CU
	72315758	1	HEXAGONAL HEAD BOLT	DIN 933 M6X12 SK-8.8A3L
	72416967	1	PLUG	
2	72315031	1	SHAFT SEALING RINGS	
4	72315580	2	HEXAGONAL HEAD BOLT	DIN931-M14X140-10.9-ZNPHR3F
5	72315710	8	HEXAGONAL HEAD BOLT	DIN 933-M12X35 GWA-10.9
6	72315567	1	HEXAGONAL HEAD BOLT	DIN 931 M12X100 GWA-10.9
7	72315567	1	HEXAGONAL HEAD BOLT ENG.NO. <-- 162 8847 621 --> 162 8854 999	DIN 931 M12X100 GWA-10.9
	72315569	1	HEXAGONAL HEAD BOLT ENG.NO. <-- 162 8855 001 --> 162 9999 999 <-- 162 0000 100 --> 162 7199 999	DIN 931 M12X110 GWA-10.9
8	72312124	2	BLANK FLANGE	
9	72311788	4	DISC	DIN 125-8,4-ST.A3L
10	72315653	4	HEXAGONAL HEAD BOLT	DIN 933 M8 X 25-8.8A3L
11	72346444	1	LOCKING PLUG	
12	72374017	1	SOCKET HEAD BOLT	DIN 912 M8X12-8.8
13	72315087	1	SEALING WASHER	DIN 7603 A8X14-CU
14	72416967	1	PLUG	
15	72315758	1	HEXAGONAL HEAD BOLT	DIN 933 M6X12 SK-8.8A3L
16	72315084	1	SEALING WASHER	DIN 7603 A6X10-CU
19	72312041	1	EYE	
20	72315721	2	HEXAGONAL HEAD BOLT	DIN 933 M14X25-8.8A3L
21	72311792	2	DISC	DIN125-15-ST

FAVORIT 824 (824/00101-99999)
10980



086010

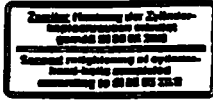
Item	Part Number	Qty	Description Comments	Technical Specification
			<-- 824/0101 --> 824/0200 <-- 824/1001 --> 824/2000	
1	72497995	3	CYLINDER HEAD ><2-7	
2	72310651	6	VALVE GUIDE 16,00MM INTAKE	
	72310652	6	VALVE GUIDE 16,25MM INTAKE	
3	72310653	6	VALVE GUIDE 16,00MM OUTLET	
	72310654	6	VALVE GUIDE 16,25MM OUTLET	
4	72315032	6	VALVE SEAT RING 51,11MM INTAKE	
	72315033	6	VALVE SEAT RING 51,31MM INTAKE	
5	72315034	6	VALVE SEAT RING 44,10MM OUTLET	
	72315035	6	VALVE SEAT RING 44,30MM OUTLET	
6	72311428	3	COVER	
7	72311429	9	COVER	
8	72312241	3	CYLINDER HEAD GASKET <>	
	72426464	8	HEX BOLT, WITH COLLAR	
9	72426464	24	HEX BOLT, WITH COLLAR MUST NOT BE RETIGHTENED SCREWS-TO BE USED ONCE ONLY <>	
	72423094	1	MARKING PLATE	
11	72346326	3	CYLINDER HEAD COVER	
12	72317854	3	SEAL	
13	72374136	18	HEXAGONAL HEAD BOLT	DIN 931 M6X40-8.8
14	72311787	18	DISC	DIN 125-6,4-ST.A3L
15	72346327	1	BREATHER PIPE	
16	72346328	3	SEAL	
17	72373893	6	STUD BOLT	DIN 835-M6X30-8.8-ZNPHR3F
18	72313266	6	NUT	DIN 934 M6-8A3L
19	72311787	6	DISC	DIN 125-6,4-ST.A3L
20	72316291	1	THREADED STUD	
21	72315101	1	SEALING WASHER	DIN 7603 A22X27-CU
22	72346329	1	BREATHER LINE ><23	
23	72346330	1	FASTENING COLLAR	
24	72317038	1	CONTROL VALVE	
25	72313939	1	PIPE BEND	
26	72313351	1	NUT	DIN74305-M26X1,5-11H-A4C
27	72450423	1	PRESSURE HOSE 1X 100MM CUT TO LENGTH	L=120
28	72311167	2	HOSE CLIP	
29	72312632	1	HOSE	
30	72316562	2	CLIP	
31	72451015	1	SCREW <>	
	72451016	1	SEAL	

Item	Part Number	Qty	Description Comments	Technical Specification
32	72315101	1	SEALING WASHER	DIN 7603 A22X27-CU
	72451016	1	SEAL	
34	72346333	1	RETAINER	
35	72315650	2	HEXAGONAL HEAD BOLT	DIN 933 M8 X 20-8.8A3L
36	72311788	3	DISC	DIN 125-8,4-ST.A3L
37	72313268	1	NUT	DIN 934 M8-8A3L
38	72314423	1	LABEL ENG.NO. <-- 162 7200 000 --> 162 8420 999 D,GB	
	72314424	1	LABEL ENG.NO. <-- 162 7200 000 --> 162 8420 999 F,E	
39	72314425	1	LABEL ENG.NO. <-- 162 7200 000 --> 162 8420 999 D,GB	
	72314426	1	LABEL ENG.NO. <-- 162 7200 000 --> 162 8420 999 F,E	
40	72312366	3	SEAL KIT <>	
	72426464	8	HEX BOLT, WITH COLLAR	
42	72423094	1	MARKING PLATE	

FAVORIT 824 (824/00101-99999)
10745

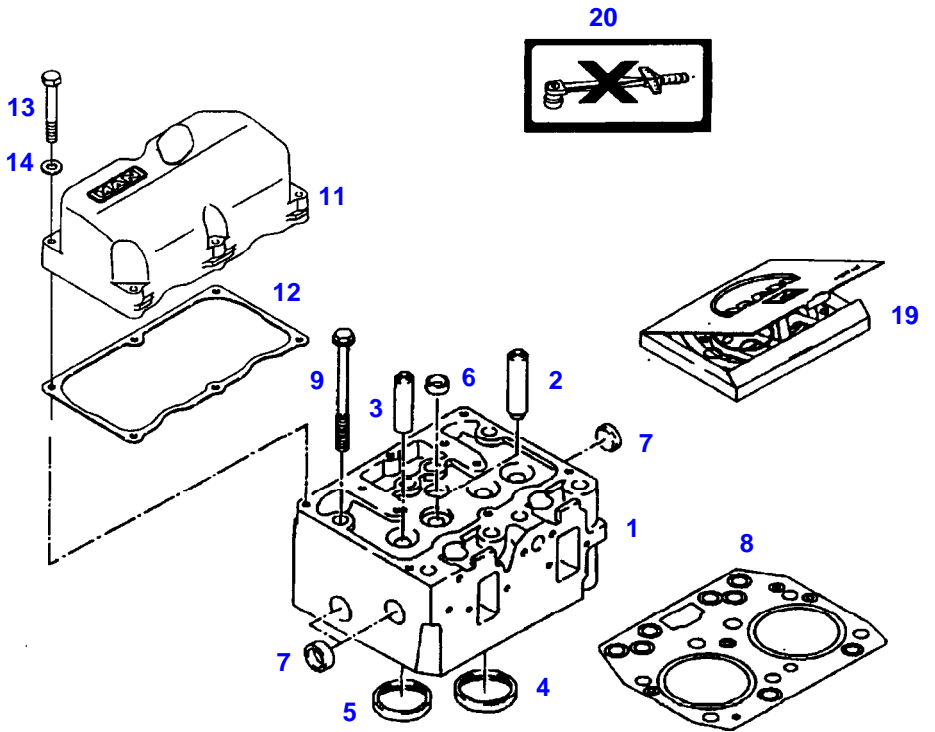


17



18

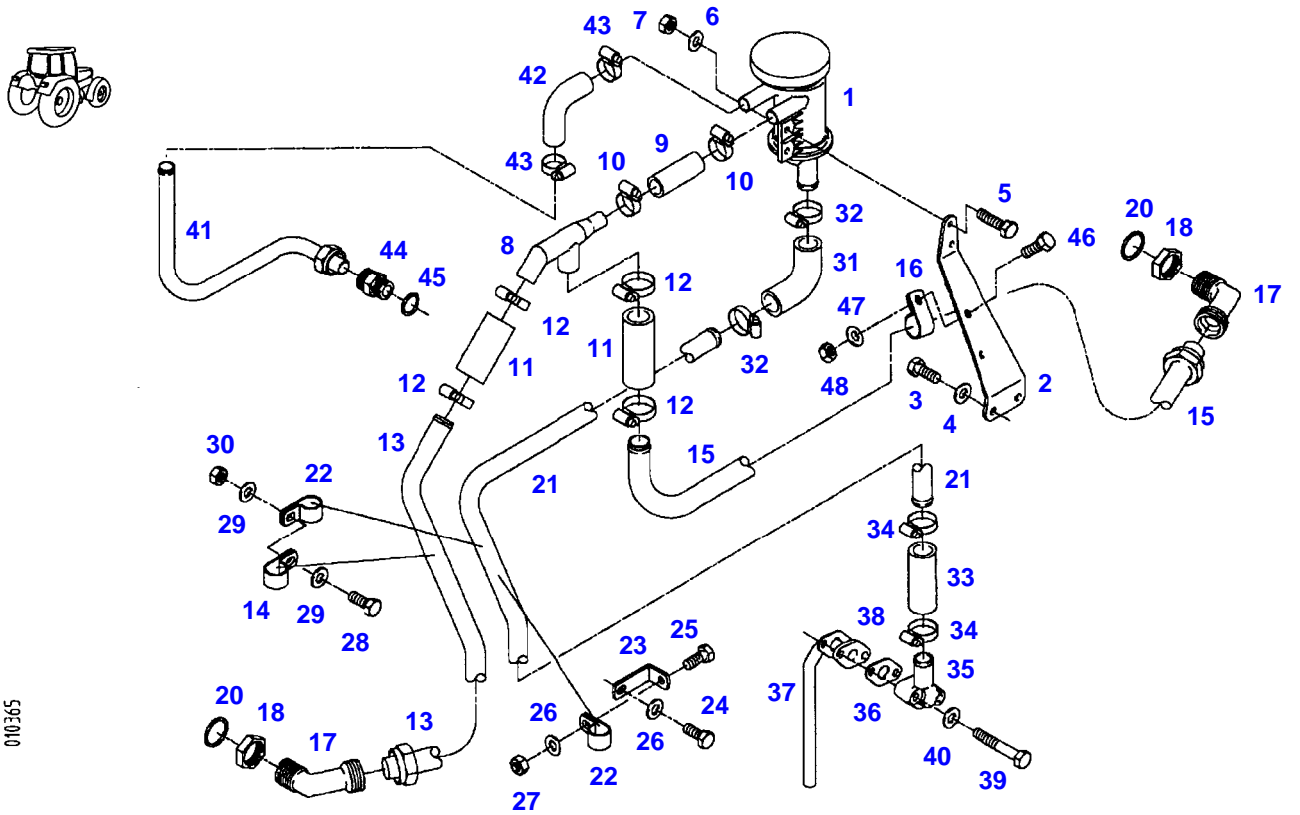
010745



Item	Part Number	Qty	Description Comments	Technical Specification
			<-- 824/0201 --> 824/0300 <-- 824/2001	
1	72497995	3	CYLINDER HEAD ><2-7	
2	72310651	6	VALVE GUIDE 16,00MM INTAKE	
	72310652	6	VALVE GUIDE 16,25MM INTAKE	
3	72310653	6	VALVE GUIDE 16,00MM OUTLET	
	72310654	6	VALVE GUIDE 16,25MM OUTLET	
4	72315032	6	VALVE SEAT RING 51,11MM INTAKE	
	72315033	6	VALVE SEAT RING 51,31MM INTAKE	
5	72315034	6	VALVE SEAT RING 44,10MM OUTLET	
	72315035	6	VALVE SEAT RING 44,30MM OUTLET	
6	72311428	3	COVER	
7	72311429	9	COVER	
8	72312241	3	CYLINDER HEAD GASKET <>	
	72426464	8	HEX BOLT, WITH COLLAR	
9	72426464	24	HEX BOLT, WITH COLLAR MUST NOT BE RETIGHTENED SCREWS-TO BE USED ONCE ONLY ENG.NO. <-- 162 7200 000 <> --> 162 8420 999 <> <>	
	72423094	1	MARKING PLATE	
11	72311630	3	CYLINDER HEAD COVER	
12	72317854	3	SEAL	
13	72315520	18	HEXAGONAL HEAD BOLT	DIN 931-M6X40-10.9-ZNPHR3F
	72416968	18	TORX SCREW	
14	72311787	18	DISC NOT USED WITH TORX SCREW	DIN 125-6,4-ST.A3L
17	72314423	1	LABEL D,GB ENG.NO. <-- 162 7200 000 --> 162 8420 999	
	72314424	1	LABEL F,E ENG.NO. <-- 162 7200 000 --> 162 8420 999	
18	72314425	1	LABEL D,GB ENG.NO. <-- 162 7200 000 --> 162 8420 999	

Item	Part Number	Qty	Description Comments	Technical Specification
	72314426	1	LABEL F,E ENG.NO. <-- 162 7200 000 --> 162 8420 999	
19	72312366	3	SEAL KIT <>	
	72426464	8	HEX BOLT, WITH COLLAR	
20	72423094	1	MARKING PLATE	

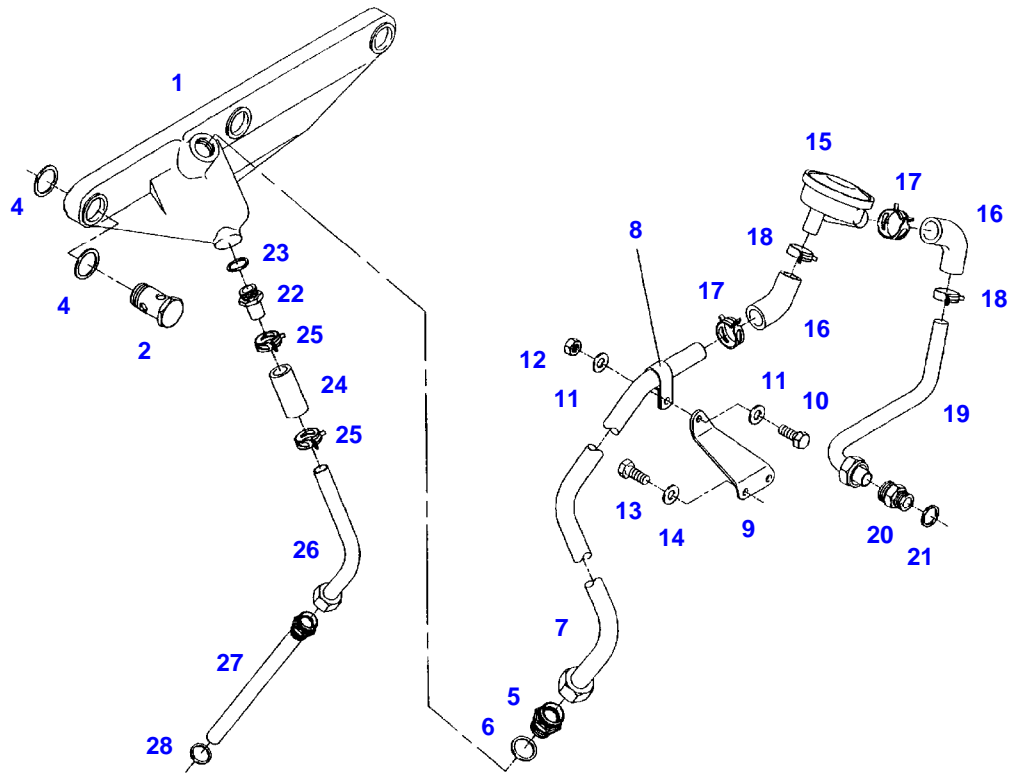
FAVORIT 824 (824/00101-99999)
10365



010365

Item	Part Number	Qty	Description Comments	Technical Specification
			<-- 824/0201 --> 824/0300	
			<-- 824/2001 --> 824/2826	
			<-- 824/2828 --> 824/2834	
			<-- 824/2867 --> 824/2867	
1	72317041	1	OIL SEPARATOR VALVE	
2			NO LONGER AVAILABLE	
3	72315651	2	HEXAGONAL HEAD BOLT	DIN 933 M8X22-8.8A3L
4	72311788	2	DISC	DIN 125-8,4-ST.A3L
5	72315631	2	HEXAGONAL HEAD BOLT	DIN 933 M6 X 20-8.8A3L
6	72311828	2	DISC	DIN 7349-6,4-ST.A3L
7	72313266	2	NUT	DIN 934 M6-8A3L
8	72312014	1	BREATHER MANIFOLD	
9	72450423	1	PRESSURE HOSE 1X 100MM CUT TO LENGTH	L=120
10	72611218	2	CLIP	
11	72450424	1	PRESSURE HOSE 1X 200MM CUT TO LENGTH	L=220
12	72316561	4	CLIP	
13	72313052	1	BREATHER LINE ><14	
14	72311229	1	PIPE CLAMP	
15	72313053	1	BREATHER LINE ><16	
16	72311229	1	PIPE CLAMP	
17	72312015	2	ANGULAR ADAPTER	
18	72313257	2	NUT	
20	72315105	2	SEALING WASHER	DIN 7603 A30X36-CU
21	72316954	1	OIL RETURN LINE ><22	
22	72311210	2	PIPE CLAMP	
23	72316657	1	RETAINER	
24	72315650	1	HEXAGONAL HEAD BOLT	DIN 933 M8 X 20-8.8A3L
25	72315650	1	HEXAGONAL HEAD BOLT	DIN 933 M8 X 20-8.8A3L
26	72311788	2	DISC	DIN 125-8,4-ST.A3L
27	72313268	1	NUT	DIN 934 M8-8A3L
28	72315650	1	HEXAGONAL HEAD BOLT	DIN 933 M8 X 20-8.8A3L
29	72311788	2	DISC	DIN 125-8,4-ST.A3L
30	72313268	1	NUT	DIN 934 M8-8A3L
31	72313642	1	MOLDED PIECE	
32	72608303	2	CLIP	
33	72430361	1	PRESSURE HOSE 1X 100MM CUT TO LENGTH	L=240 FWN66041-DN22-B10
34	72608303	2	CLIP	
35	72312122	1	FLANGE	
36	72312256	1	SEAL	
37	72316955	1	OIL RETURN LINE	
38	72312256	1	SEAL	
39	72315665	2	HEXAGONAL HEAD BOLT	DIN 933 M8X45-8.8A3L
40	72311788	2	DISC	DIN 125-8,4-ST.A3L
41	72313054	1	BREATHER LINE	
42	72435869	1	RUBBER ARCH	
43	72611218	2	CLIP	
44	72316291	1	THREADED STUD	
45	72315101	1	SEALING WASHER	DIN 7603 A22X27-CU
46	72315650	1	HEXAGONAL HEAD BOLT	DIN 933 M8 X 20-8.8A3L
47	72311788	1	DISC	DIN 125-8,4-ST.A3L
48	72313268	1	NUT	DIN 934 M8-8A3L

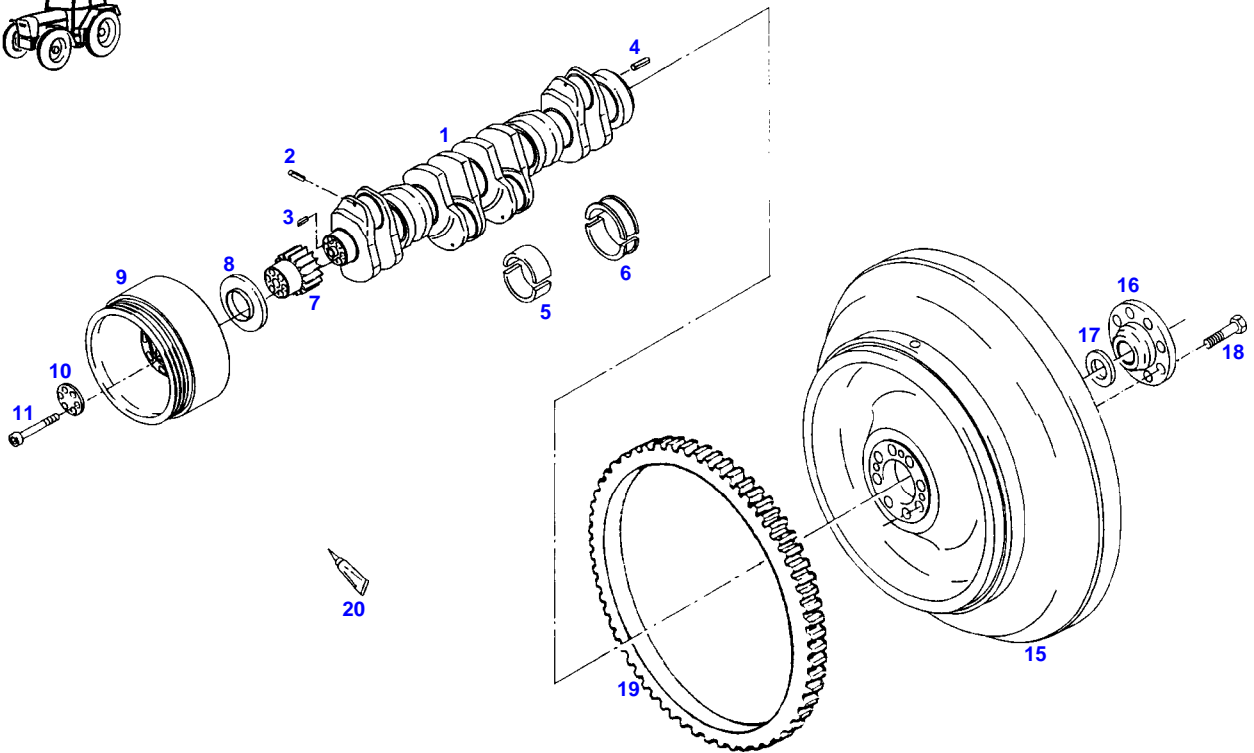
FAVORIT 824 (824/00101-99999)
40597



040597

Item	Part Number	Qty	Description Comments	Technical Specification
			<-- 824/2827 --> 824/2827	
			<-- 824/2835 --> 824/2866	
			<-- 824/2868	
1	72422677	1	BREATHER MANIFOLD	
2	72417073	3	BANJO BOLT	
4	72417074	6	SEALING WASHER	
5	72417169	1	THREADED STUD	
6	72315104	1	SEALING WASHER	DIN 7603 A26X31-CU
7	72422679	1	BREATHER LINE ><8	
8	72311210	1	PIPE CLAMP	
9	72422680	1	RETAINER	
10	72315651	1	HEXAGONAL HEAD BOLT	DIN 933 M8X22-8.8A3L
11	72311788	2	DISC	DIN 125-8,4-ST.A3L
12	72313268	1	NUT	DIN 934 M8-8A3L
13	72315651	2	HEXAGONAL HEAD BOLT	DIN 933 M8X22-8.8A3L
14	72311788	2	DISC	DIN 125-8,4-ST.A3L
15	72317038	1	CONTROL VALVE	
16	72417078	2	HOSE PIECE	
17	72316562	2	CLIP	
18	72611218	2	CLIP	
19	72422681	1	BREATHER LINE	
20	72417075	1	THREADED STUD	
21	72315101	1	SEALING WASHER	DIN 7603 A22X27-CU
22	72417079	1	ADAPTER NIPPLE	
23	72315101	1	SEALING WASHER	DIN 7603 A22X27-CU
24	72312631	1	HOSE	
25	72611218	2	CLIP	
26	72422683	1	OIL RETURN LINE	
27	72417080	1	OIL RETURN LINE	
28	72315102	1	SEALING WASHER	DIN 7603 A24X29-CU

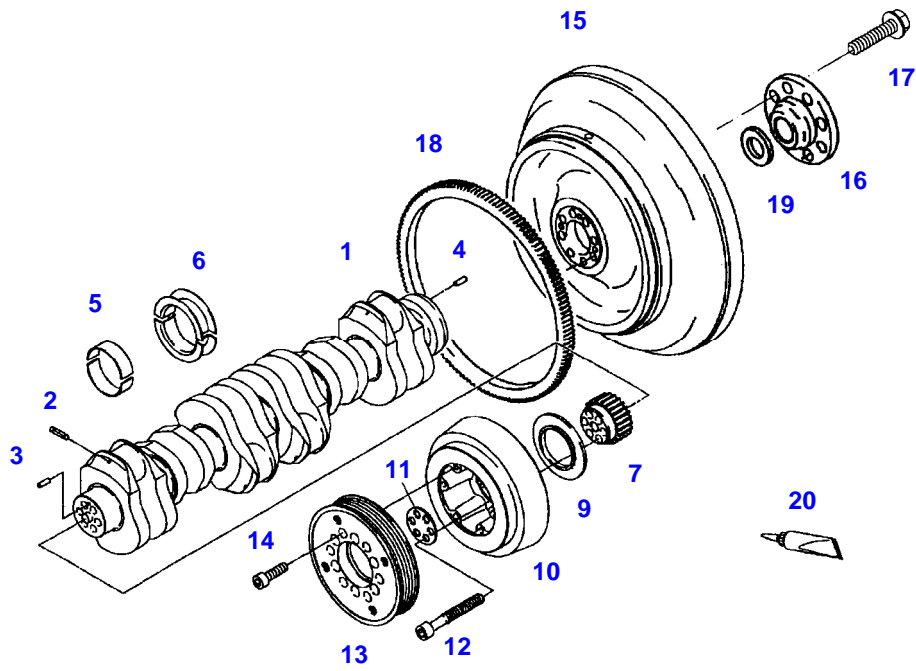
FAVORIT 824 (824/00101-99999)
10490



06701

Item	Part Number	Qty	Description Comments	Technical Specification
			<-- 824/0101 --> 824/0200 <-- 824/1001 --> 824/2000	
1	72311579	1	CRANKSHAFT ><2-4	
2	72313722	6	DOWEL PIN	
3	72313817	1	TENSIONING PIN	ISO8752-6X16-A-ST-ZNPHR10F-KOE
4	72313849	1	TENSIONING PIN	ISO8750-8X24-ST
5	72310327	6	MAIN BEARING 77,00MM	
	72310328	6	MAIN BEARING 76,90MM	
	72310329	6	MAIN BEARING 76,75MM	
	72310330	6	MAIN BEARING 76,50MM	
	72310331	6	MAIN BEARING 76,25MM	
	72310332	6	MAIN BEARING 76,00MM	
6	72310232	1	TIGHT-FIT BEARING 77,00MM	
	72310233	1	TIGHT-FIT BEARING 76,90MM	
	72310234	1	TIGHT-FIT BEARING 76,75MM	
	72310235	1	TIGHT-FIT BEARING 76,50MM	
	72416971	1	TIGHT-FIT BEARING 76,25MM	
	72416972	1	TIGHT-FIT BEARING 76,00MM	
7	72316540	1	CRANKSHAFT GEAR <>	
	72416958	1	CAM WHEEL	
8	72315016	1	SPRAYER RING	
9	72346290	1	VIBRATION DAMPER	
10	72311934	1	DISC	
11	72346294	6	SOCKET HEAD BOLT	
15	72346292	1	FLYWHEEL ><19	
16	72346295	1	COUPLING FLANGE	
17	72346296	1	DISC	
18	72315372	8	HEX BOLT, WITH COLLAR	
19	72312391	1	RING GEAR	
20	72311272	1	SEALING COMPOUND	

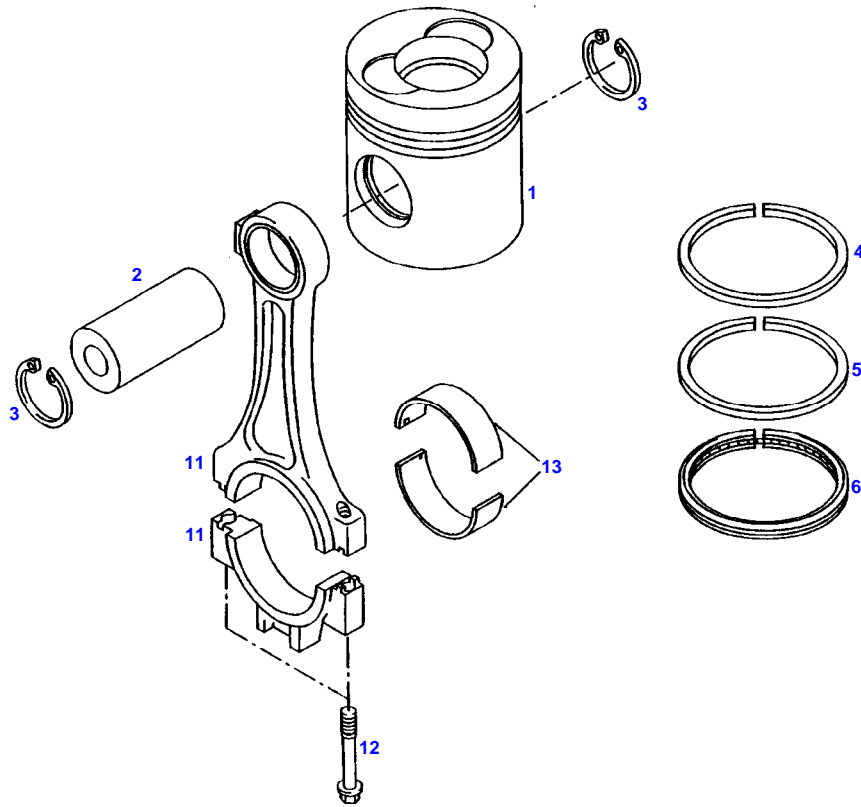
FAVORIT 824 (824/00101-99999)
10563



010563

Item	Part Number	Qty	Description Comments	Technical Specification
			<-- 824/0201 --> 824/0300 <-- 824/2001	
1	72311579	1	CRANKSHAFT ><2-4	
2	72313722	6	DOWEL PIN	
3	72313817	1	TENSIONING PIN	ISO8752-6X16-A-ST-ZNPHR10F-KOE
4	72313849	1	TENSIONING PIN	ISO8750-8X24-ST
5	72310327	6	MAIN BEARING 77,00MM	
	72310328	6	MAIN BEARING 76,90MM --> 824/2726	
	72416969	6	MAIN BEARING 76,90MM <-- 824/2727	
	72310329	6	MAIN BEARING 76,75MM	
	72310330	6	MAIN BEARING 76,50MM	
	72310331	6	MAIN BEARING 76,25MM --> 824/2726	
	72416970	6	MAIN BEARING 76,25MM <-- 824/2727	
	72310332	6	MAIN BEARING 76,00MM	
6	72310232	1	TIGHT-FIT BEARING 77,00MM	
	72310233	1	TIGHT-FIT BEARING 76,90MM	
	72310234	1	TIGHT-FIT BEARING 76,75MM	
	72310235	1	TIGHT-FIT BEARING 76,50MM	
	72416971	1	TIGHT-FIT BEARING 76,25MM	
	72416972	1	TIGHT-FIT BEARING 76,00MM	
7	72316540	1	CRANKSHAFT GEAR ENG.NO. <-- 162 7200 000 <> --> 162 9031 999 <> <>	
	72416958	1	CAM WHEEL	
9	72315016	1	SPRAYER RING	
10	72311632	1	VIBRATION DAMPER	
11	72311934	1	DISC	
12	72315396	6	SOCKET HEAD BOLT	M14X1,5X105-12.9-PHR
13	72314868	1	V BELT SHEAVE	
14	72315495	6	SOCKET HEAD BOLT	DIN 912 M10X30-10.9
15	72346292	1	FLYWHEEL ><18	
16	72346295	1	COUPLING FLANGE	
17	72315372	8	HEX BOLT, WITH COLLAR	
18	72312391	1	RING GEAR	
19	72346296	1	DISC	
20	72311272	1	SEALING COMPOUND	

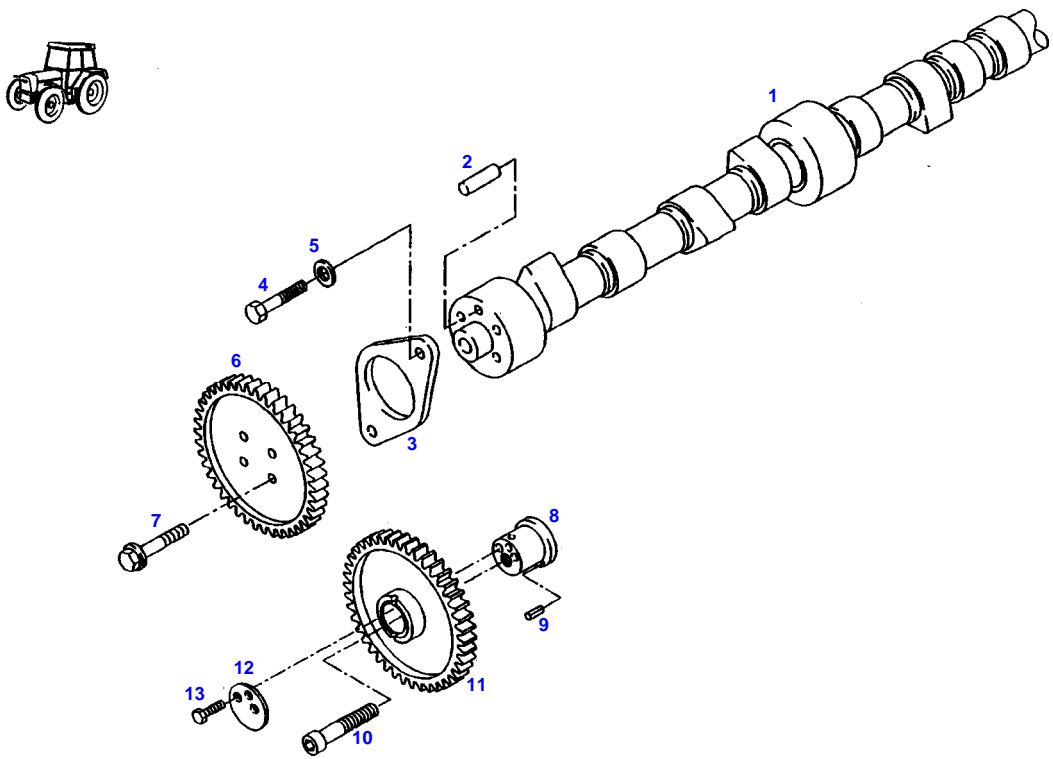
FAVORIT 824 (824/00101-99999)
8735



8735

Item	Part Number	Qty	Description Comments	Technical Specification
1	72314357	6	PISTON ><2-6	
2			NOT AVAILABLE IN SINGLE PARTS	
3	72311095	12	LOCK WASHER	DIN 472-40X1,75
4	72315036	6	KEYSTONE RING	
5	72317292	6	TAPERED COMPRESSION RING	
6	72315017	6	WEDGE-SECTION RING S=4MM	
11	72311288	6	PISTON ROD PARALLEL CYLINDER CHANGE SETWISE ><12	
12	72414855	12	TORX SCREW REPLACE SCREWS SETWISE SCREWS-TO BE USED ONCE ONLY	
13	72317206	6	CONNECTING ROD BEARING 65,00MM	
	72310333	6	CONNECTING ROD BEARING 64,90MM	
	72310334	6	CONNECTING ROD BEARING 64,75MM	
	72310335	6	CONNECTING ROD BEARING 64,50MM	
	72310336	6	CONNECTING ROD BEARING 64,25MM	
	72310337	6	CONNECTING ROD BEARING 64,00MM	

FAVORIT 824 (824/00101-99999)
8770



8770

Item	Part Number	Qty	Description Comments	Technical Specification
			ENGINE NUMBER <-- 162 7200 000 --> 162 7884 999	
1	72310911	1	CAMSHAFT ><2	
2	72313859	1	CYLINDER PIN	DIN 7-8M6X18-ST50K
3	72312126	1	FLANGE	
4	72315642	2	HEXAGONAL HEAD BOLT	DIN 933 M8 X 16-8.8A3L
5	72311788	2	DISC	DIN 125-8,4-ST.A3L
6	72416958	1	CAM WHEEL <>	
	72316540	1	CRANKSHAFT GEAR	
7	72315385	4	HEX BOLT, WITH COLLAR	
8	72346350	1	BOLT	
9	72313846	1	TENSIONING PIN	ISO8750-5X10-ST
10	72346351	1	SOCKET HEAD BOLT	
11	72317157	1	INTERMEDIATE GEAR	
12	72346352	1	THRUST WASHER	
13	72315776	2	SOCKET HEAD BOLT	DIN 6912 M8X30-8.8

Thank you so much for reading.
Please click the “Buy Now!”
button below to download the
complete manual.



After you pay.

You can download the most
perfect and complete manual in
the world immediately.

Our support email:

ebooklibonline@outlook.com