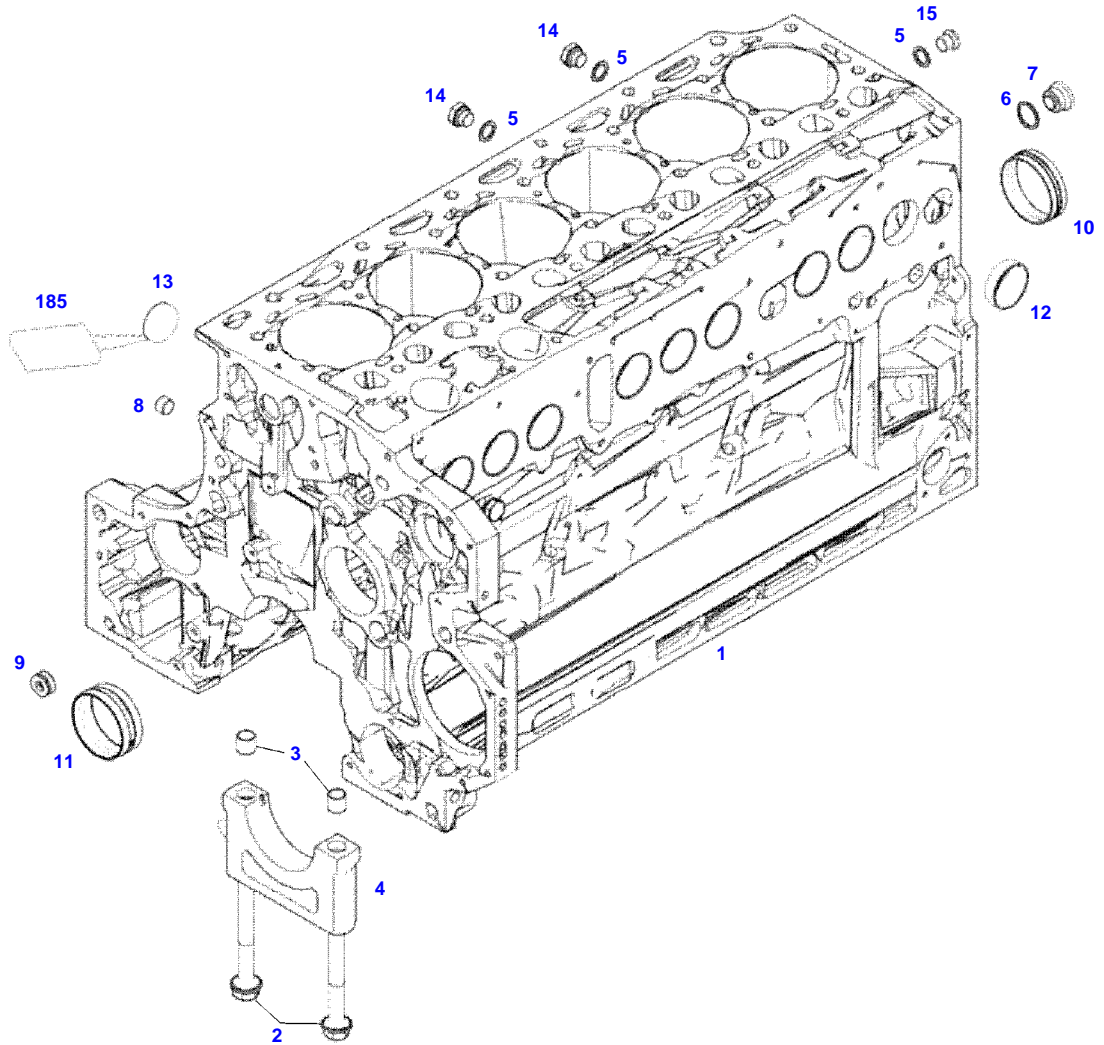


<b>Page Number</b>	<b>Page Title</b>	<b>Page Reference</b>
01-000-TOC	ENGINE, FUEL AND EXHAUST SYSTEM	01-000-TOC
02-000-TOC	AXLES	02-000-TOC
03-000-TOC	STEERING SYSTEM	03-000-TOC
04-000-TOC	DRIVE TRAIN SYSTEM	04-000-TOC
05-000-TOC	COMPRESSED AIR SYSTEM	05-000-TOC
06-000-TOC	HYDRAULIC SYSTEM	06-000-TOC
07-000-TOC	ELECTRICAL SYSTEM	07-000-TOC
08-000-TOC	CAB	08-000-TOC
09-000-TOC	AIR CONDITIONING AND HEATING SYSTEM	09-000-TOC
10-000-TOC	CHASSIS	10-000-TOC
11-000-TOC	WHEELS	11-000-TOC
12-000-TOC	IMPLEMENT LIFT SYSTEM FRONT	12-000-TOC
13-000-TOC	IMPLEMENT LIFT SYSTEM REAR	13-000-TOC
14-000-TOC	FRONT/REAR LOADERS	14-000-TOC
15-000-TOC	PRECISION FARMING SYSTEMS	15-000-TOC
16-000-TOC	ACCESSORIES	16-000-TOC

FENDT 819 VARIO SCR (832/00101-99999)  
F061411

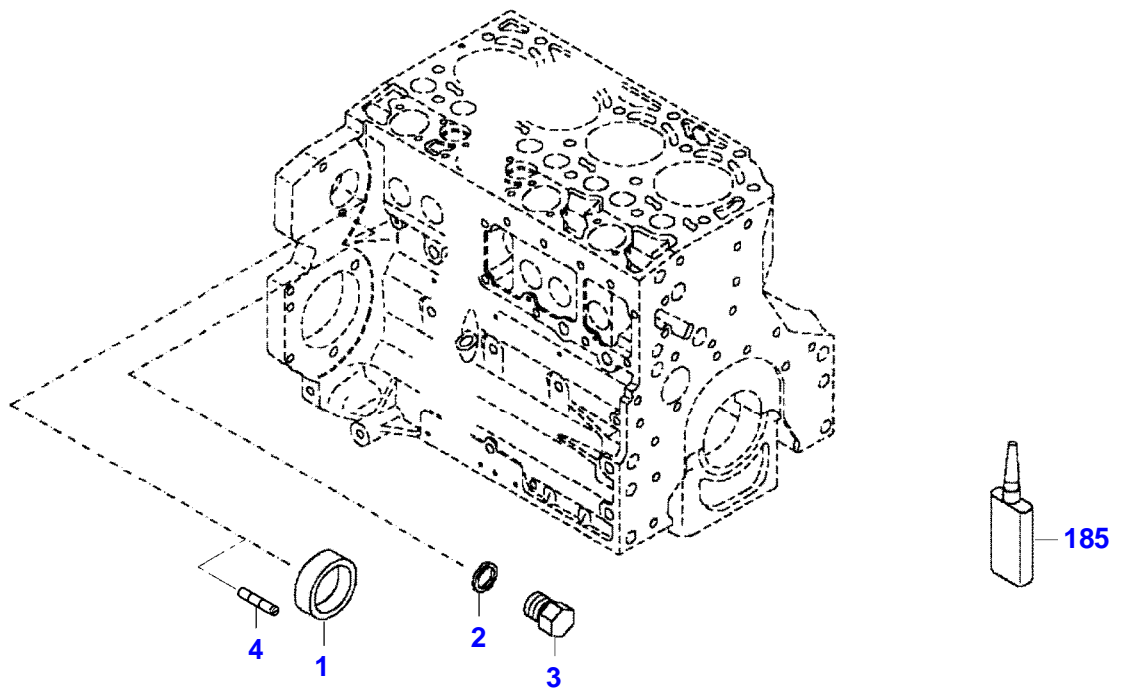


F061411



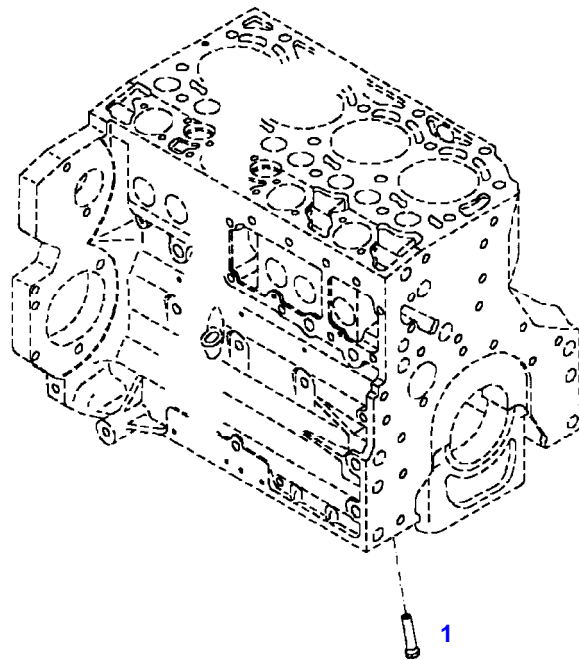
Item	Part Number	Qty	Description Comments	Technical Specification
			FROM - UP TO ENGINE S/N 11718244 - 11778484	
	72484913	1	ENGINE	TCD6.1L6
	72608986	1	REMANUFACTURED SHORT BLOCK ENGINE	
1	72616644	1	CRANKCASE INCLUDES ITEMS 2-15	
2	72416467	14	HEXAGONAL HEAD BOLT	
3	72344342	14	ADAPTER BUSH	
4				
			NOT AVAILABLE IN SINGLE PARTS	
5	72456134	3	SEALING WASHER	DIN 7603 D14X20-CU-VERZINNT
6	72439874	1	SEALING WASHER	
7	72455559	1	PLUG SCREW	
8	72429347	2	SCREW	M14X1,5
9	72431135	1	LOCKING PLUG	
10	ACP0152940	6	FEMALE BEARING	
11	ACP0152930	1	FEMALE BEARING	
12	72325325	9	CORE HOLE PLUG	
13	72325326	6	CORE HOLE PLUG	
14	72315799	3	PLUG	DIN 7604 AM14X1,5-A3L
15	72315438	1	PLUG SCREW	DIN 908 M14X1,5-ST
185	72381391	1	THREADLOCKER	LOCTITE 243 10ML

FENDT 819 VARIO SCR (832/00101-99999)  
432327-M-1



432327-M-1

Item	Part Number	Qty	Description Comments	Technical Specification
<b>BLANKING PARTS</b>				
1	72627515	1	CORE HOLE PLUG	
2	72315088	2	SEALING WASHER	DIN 7603 A10X13,5-CU
3	72323677	2	PLUG	
4	72631860	2	THREADED PIN UP TO ENGINE S/N	
185	72325403	1	SAFE.LOCK AGENT	



030004

---

Fendt

FENDT 819 VARIO SCR (832/00101-99999)

F832000

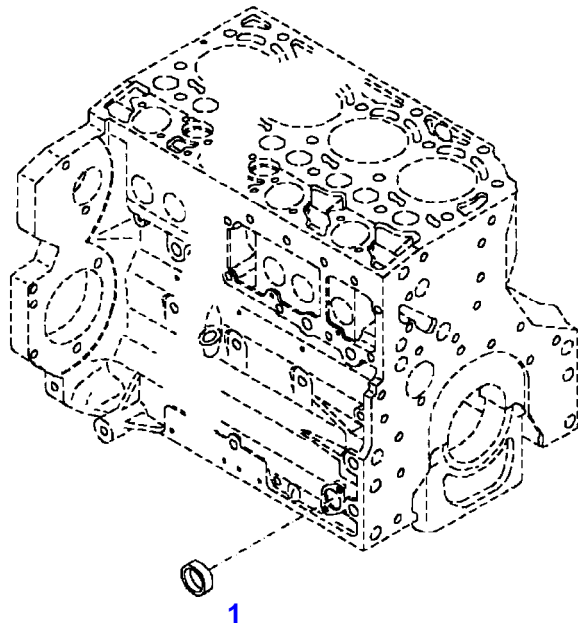
CRANKCASE

Page01-0005

---

Item	Part Number	Qty	Description Comments
			PISTON COOL.NOZZLE
1	72415140	6	PISTON COOLING JET

FENDT 819 VARIO SCR (832/00101-99999)  
40194



040194

1

185





---

Fendt

FENDT 819 VARIO SCR (832/00101-99999)

F832000

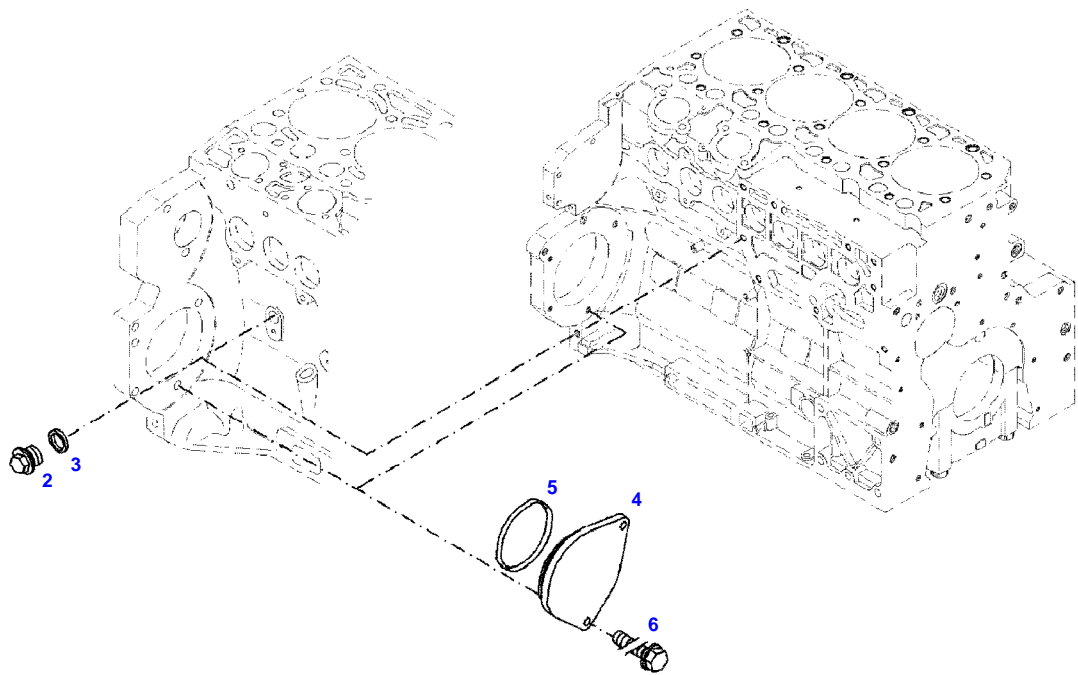
CRANKCASE

Page01-0006

---

Item	Part Number	Qty	Description Comments
			LOCKING PLUG
1	72325326	1	CORE HOLE PLUG
185	72325403	1	SAFE.LOCK AGENT

FENDT 819 VARIO SCR (832/00101-99999)  
F51577

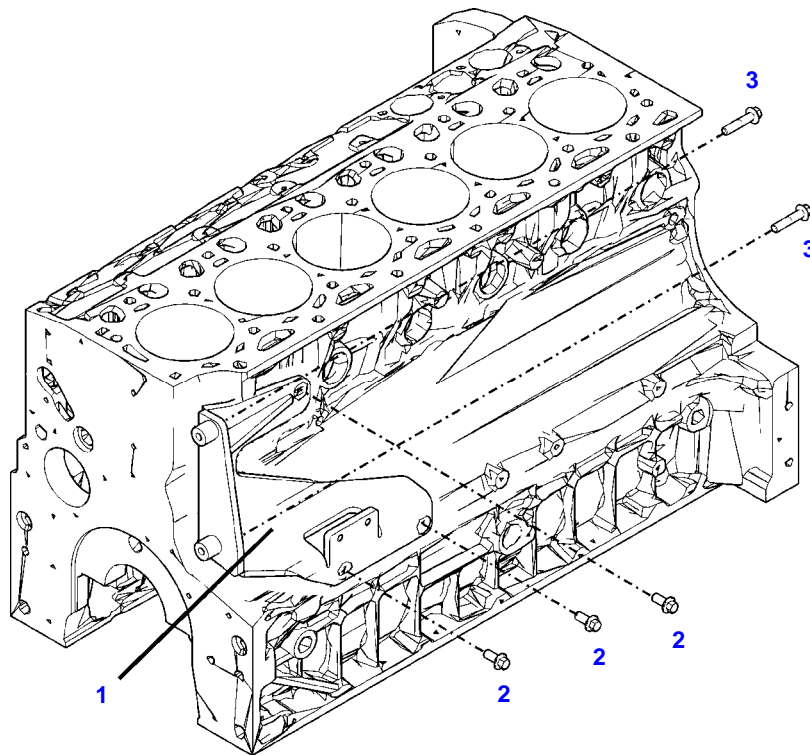


051577



Item	Part Number	Qty	Description Comments	Technical Specification
<b>BLANKING PARTS</b>				
2	72315799	1	PLUG NOT NEEDED WITH AIR BRAKE	DIN 7604 AM14X1,5-A3L
3	72315094	1	SEALING WASHER NOT NEEDED WITH AIR BRAKE	DIN 7603 A14X18-CU
4	72431648	1	COVER NOT NEEDED WITH AIR BRAKE	
5	72416472	1	SEAL 96X4MM NOT NEEDED WITH AIR BRAKE	
6	72438057	2	HEXAGONAL HEAD BOLT NOT NEEDED WITH AIR BRAKE	M10X20

FENDT 819 VARIO SCR (832/00101-99999)  
41241



041241

Fendt

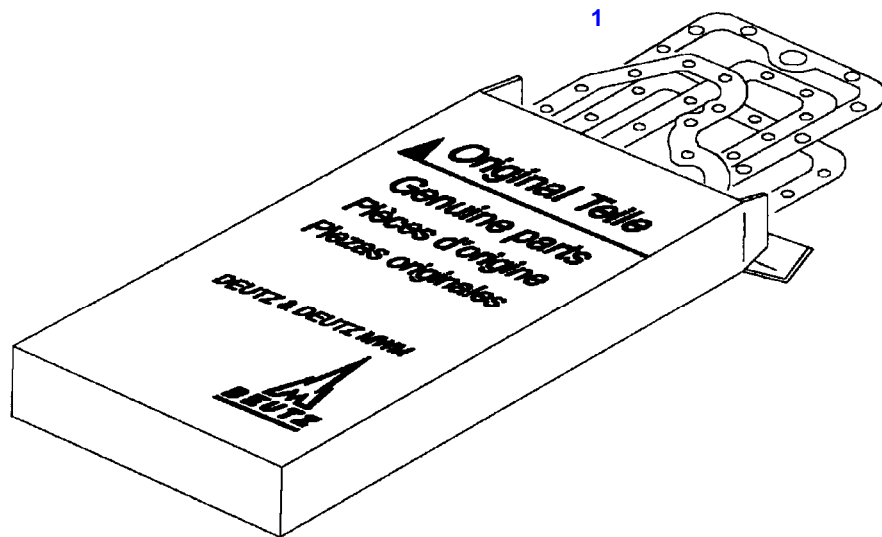
FENDT 819 VARIO SCR (832/00101-99999)

F832000

CRANKCASE

Page01-0008

Item	Part Number	Qty	Description Comments	Technical Specification
			SUPPORT ENGINE NUMBER <-- 10917851	
1	72485479	1	RETAINING SHEET METAL	
2	72415315	3	HEXAGONAL HEAD BOLT M8X20	M8X20
3	72325457	2	HEXAGONAL HEAD BOLT M8X40	



030100

---

Fendt

FENDT 819 VARIO SCR (832/00101-99999)

F832000

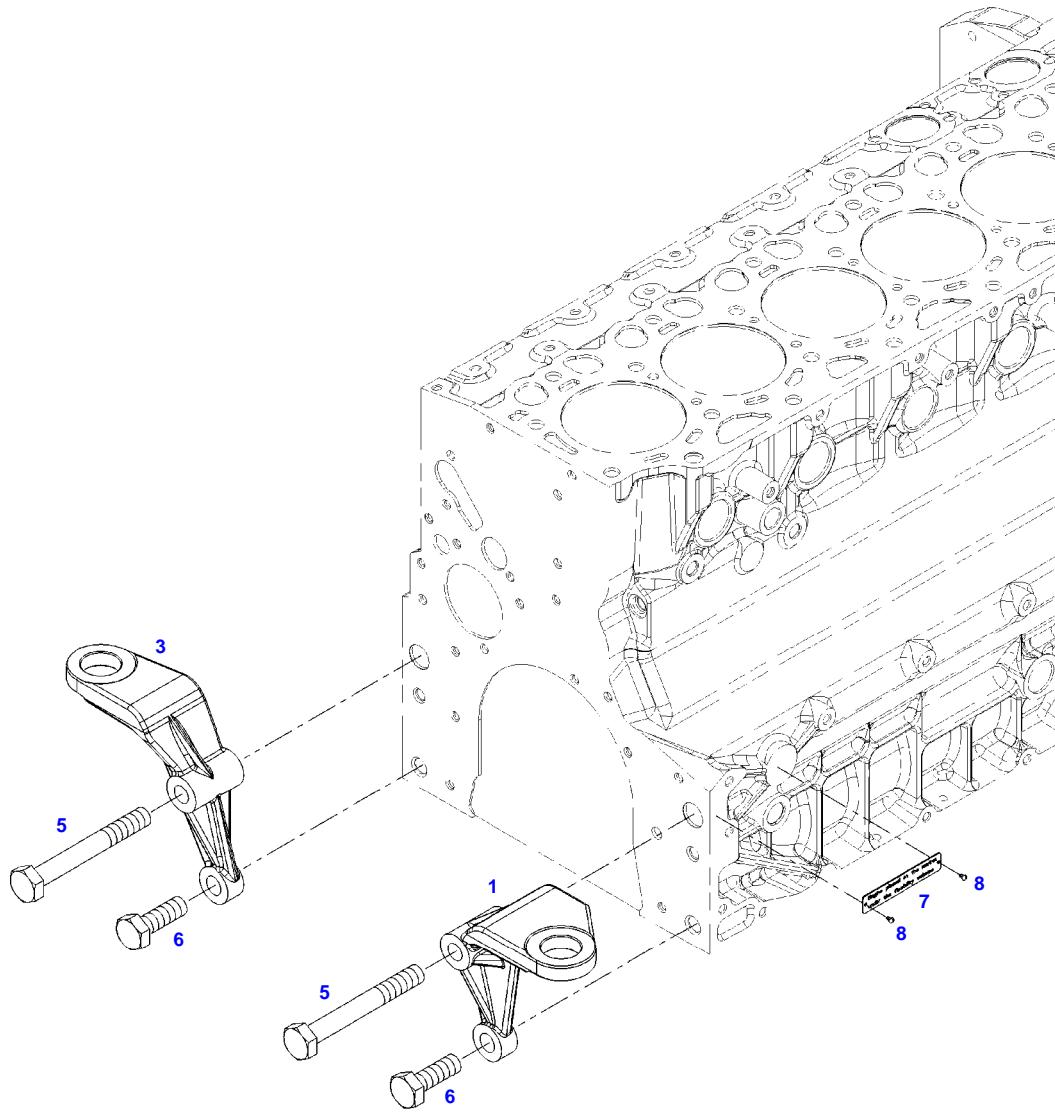
SET OF GASKETS - MOTOR

Page01-0009

---

Item	Part Number	Qty	Description Comments
1	72609323	1	SEAL KIT WITHOUT CYLINDER HEAD GASKET UP TO ENGINE NUMBER 11688392
	72615421	1	SEAL KIT WITHOUT CYLINDER HEAD GASKET FROM ENGINE S/N 11688393

FENDT 819 VARIO SCR (832/00101-99999)  
F061413



F061413

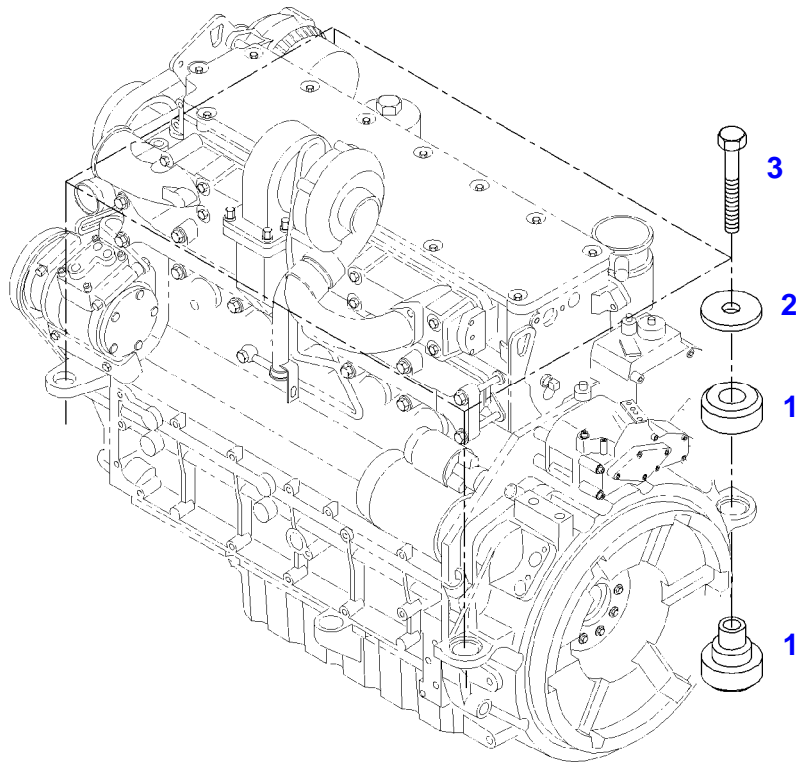




## ENGINE MOUNTINGS

Item	Part Number	Qty	Description Comments	Technical Specification
1	72481055	1	ENGINE MOUNT LEFT	
3	72481061	1	ENGINE MOUNT RIGHT	
5	72374294	2	HEXAGONAL HEAD BOLT	DIN 931-M16X85 GWA-10.9
6	72418408	2	HEXAGONAL HEAD BOLT	DIN 933 M16X40 GWA-10.9
7	72452403	1	MARKING PLATE FLEXI ENGINE	
8	72313751	2	SLOTTED PIN	DIN 1476-3X5-AL

FENDT 819 VARIO SCR (832/00101-99999)  
35107



035107

---

Fendt

FENDT 819 VARIO SCR (832/00101-99999)

F832000

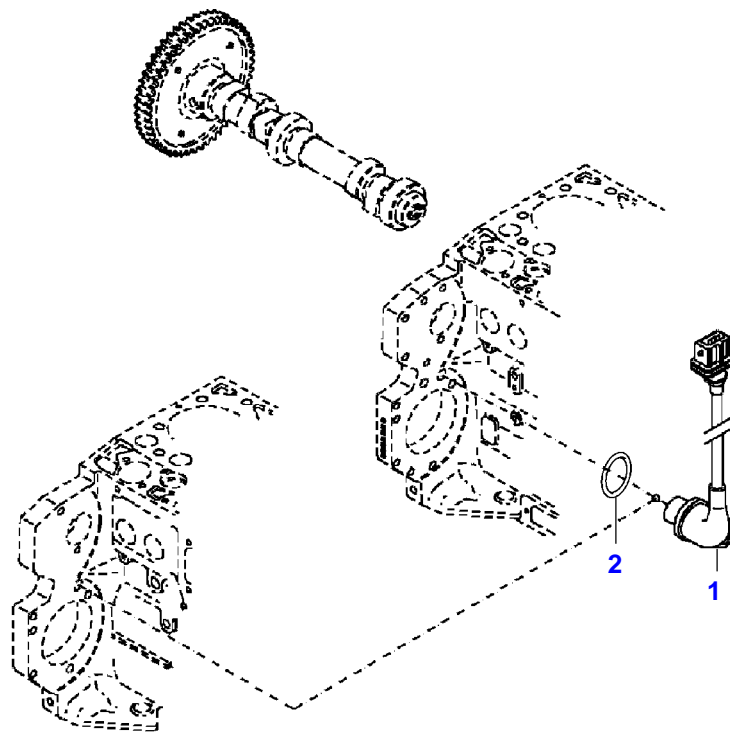
ENGINE BEARINGS

Page01-0011

---

Item	Part Number	Qty	Description Comments	Technical Specification
1	72483499	4	ENGINE MOUNT	
2	72318110	4	DISC	
3	72315563	4	HEXAGONAL HEAD BOLT	DIN 931 M12X80-8.8A3L

FENDT 819 VARIO SCR (832/00101-99999)  
431755-M-1



431755-M-1

---

Fendt

FENDT 819 VARIO SCR (832/00101-99999)

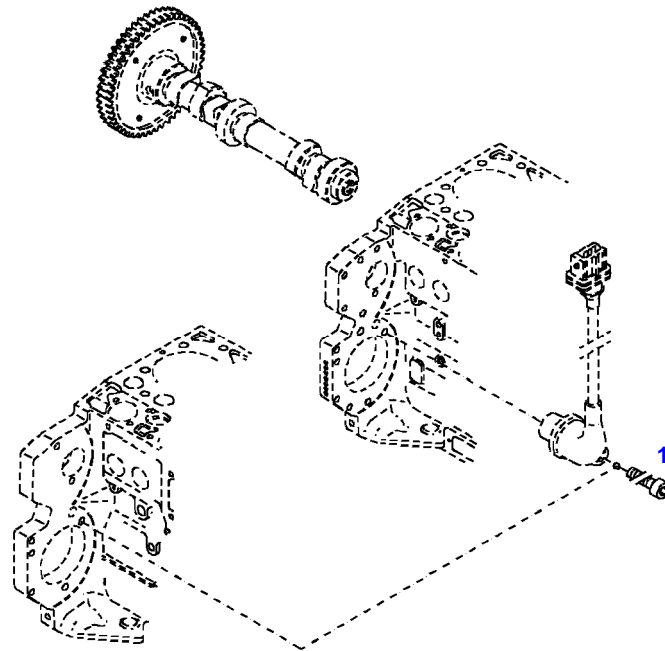
F832000

TRANSMITTER

Page01-0012

---

Item	Part Number	Qty	Description Comments
			ENGINE SPEED EDC
1	72626758	1	TRANSMITTER
2	72628348	1	O-RING



035317

Fendt

FENDT 819 VARIO SCR (832/00101-99999)

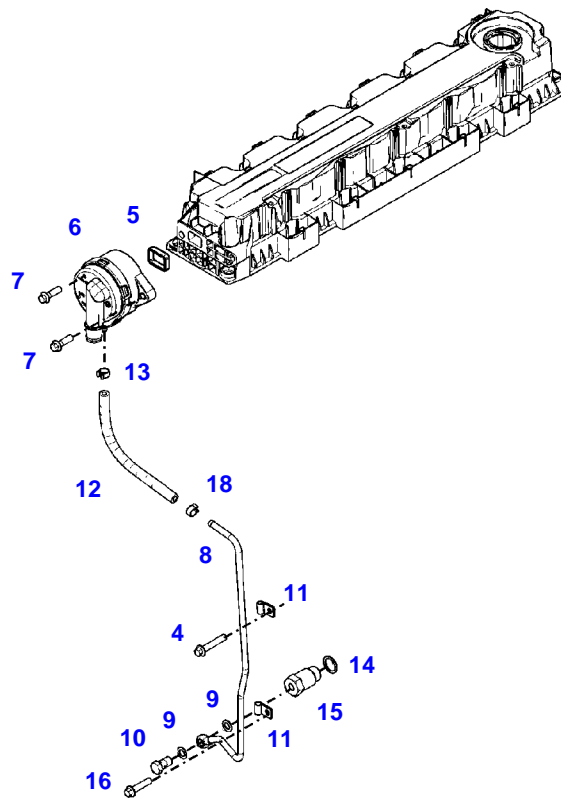
F832000

TRANSMITTER

Page01-0013

Item	Part Number	Qty	Description Comments	Technical Specification
			ENGINE SPEED FASTENINGS	
1	72315460	1	SOCKET HEAD BOLT	DIN 912 M6X16-8.8

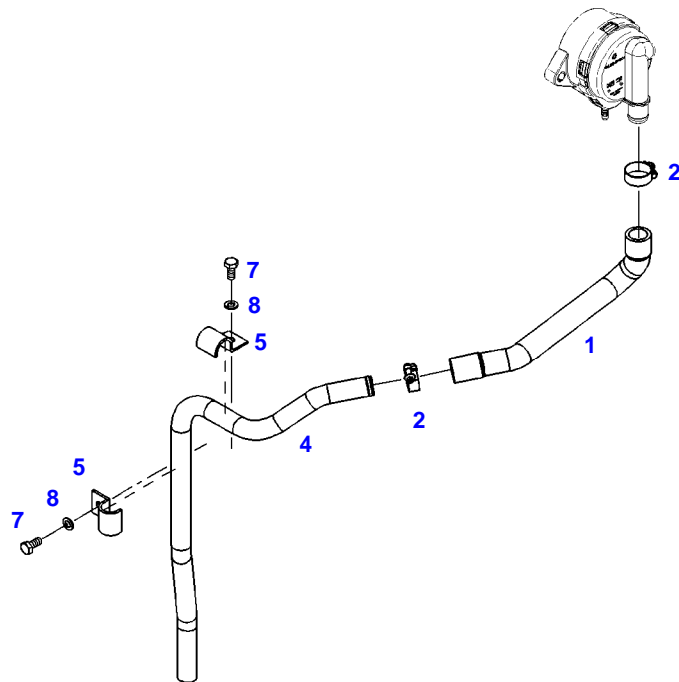
FENDT 819 VARIO SCR (832/00101-99999)  
41242



041242



Item	Part Number	Qty	Description Comments	Technical Specification
4	72325453	1	HEXAGONAL HEAD BOLT M8X50	
5	72455795	1	SEAL	
6	72437250	1	BREATHER ><5	
7	72325293	2	HEXAGONAL HEAD BOLT M8X30	M8X30
8	72495347	1	OIL RETURN LINE ><9-13	
9	72439873	2	SEALING WASHER	
10	72323517	1	BANJO BOLT	
11	72425772	2	PIPE CLAMP	
12	72495349	1	RUBBER HOSE	
13	72479013	1	HOSE CLIP	
14	72439874	1	SEALING WASHER	
15	72425770	1	LOCK VALVE	
16	72325457	1	HEXAGONAL HEAD BOLT M8X40	
18	72479013	1	HOSE CLIP	

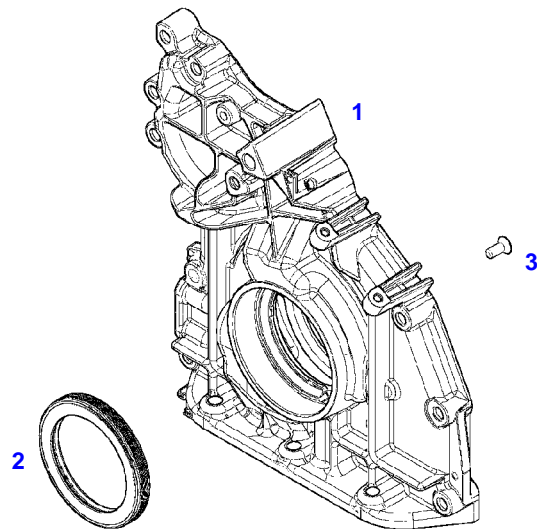


037622

Item	Part Number	Qty	Description Comments	Technical Specification
			<b>BREATHER TUBE</b>	
1	72497866	1	HOSE ARCH <-- 832/0101 --> 832/0200 <> <-- 832/1001 --> 832/1003 <> <>	
	72487059	1	PIPE	
2	72311167	2	HOSE CLIP	
4	72487059	1	PIPE <-- 832/0101 --> 832/0200 <> <-- 832/1001 --> 832/1003 <> <>	
	72497866	1	HOSE ARCH	
5	72605304	2	CLIP	
7	72315646	2	HEXAGONAL HEAD BOLT	DIN 933 M8X18-8.8A3L
8	72315053	2	SPLIT WASHER	FWN 65208-8-A3L

FENDT 819 VARIO SCR (832/00101-99999)  
41199

---



041199

---

Fendt

FENDT 819 VARIO SCR (832/00101-99999)

F832000

FRONT COVER

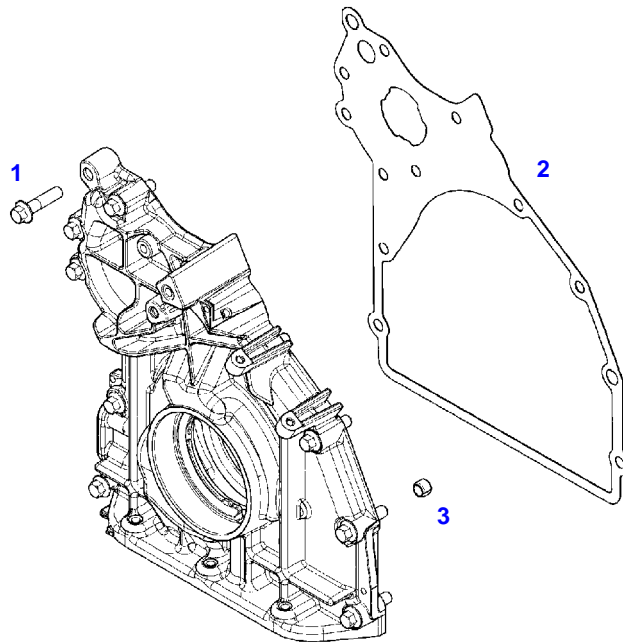
Page01-0016

---

Item	Part Number	Qty	Description Comments
			<b>INTEGRATED OIL PUMP</b>
1	72479485	1	CRANKCASE END COVER INTEGRATED OIL PUMP ><2,3
2	72479487	1	SHAFT SEAL
3	72416228	8	COUNTERSUNK CAPSCREW M6X16

FENDT 819 VARIO SCR (832/00101-99999)  
41243

---



041243

---

Fendt

FENDT 819 VARIO SCR (832/00101-99999)

F832000

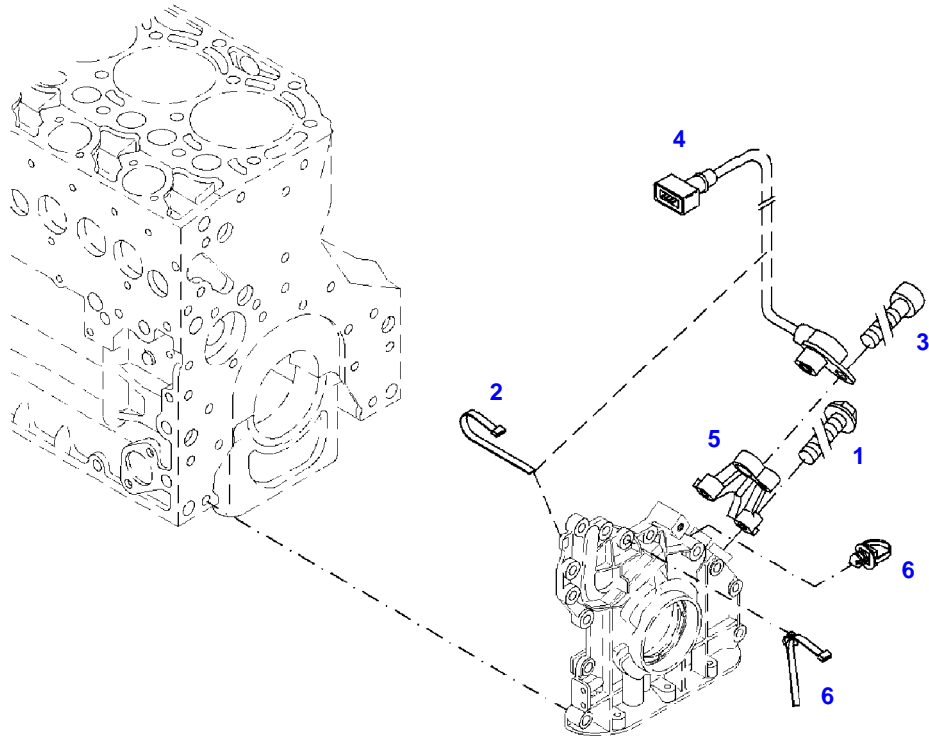
FRONT COVER

Page01-0017

---

Item	Part Number	Qty	Description Comments	Technical Specification
<b>FASTENINGS</b>				
1	72605244	12	HEXAGONAL HEAD BOLT M8X35	M8X35
2	72486511	1	SEAL	
3	72325352	1	TENSIONER BUSHING	

FENDT 819 VARIO SCR (832/00101-99999)  
41001



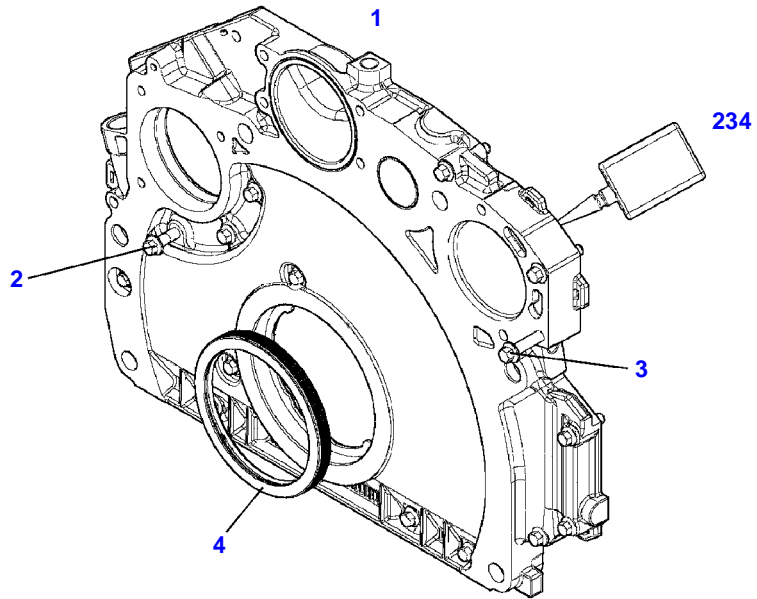
041001



Item	Part Number	Qty	Description Comments	Technical Specification
			<b>ENGINE SPEED EDC</b>	
1	72436834	2	HEXAGONAL HEAD BOLT M6X30	
2	72416001	3	RETAINING STRAP	
3	72315460	1	SOCKET HEAD BOLT	DIN 912 M6X16-8.8
4	72436872	1	TRANSMITTER ENGINE SPEED EDC	
5	72494073	1	RETAINER	
6	72455561	2	RETAINING STRAP	

FENDT 819 VARIO SCR (832/00101-99999)  
41231

---



041231

---

Fendt

FENDT 819 VARIO SCR (832/00101-99999)

F832000

GEARCASE

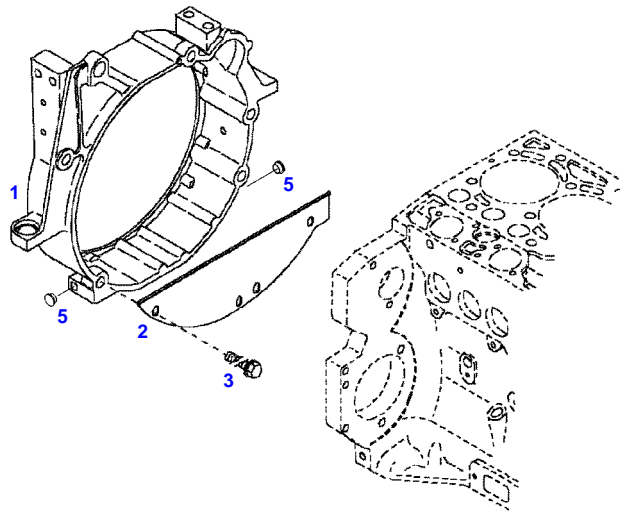
Page01-0019

---

Item	Part Number	Qty	Description Comments	Technical Specification
1	72615423	1	WHEEL BOX	
2	72605244	12	HEXAGONAL HEAD BOLT M8X35	M8X35
3	72325388	3	HEXAGONAL HEAD BOLT M8X45	M8X45
4	72479495	1	SHAFT SEAL	
234	72325408	1	SEALING COMPOUND	

FENDT 819 VARIO SCR (832/00101-99999)  
F060498

---

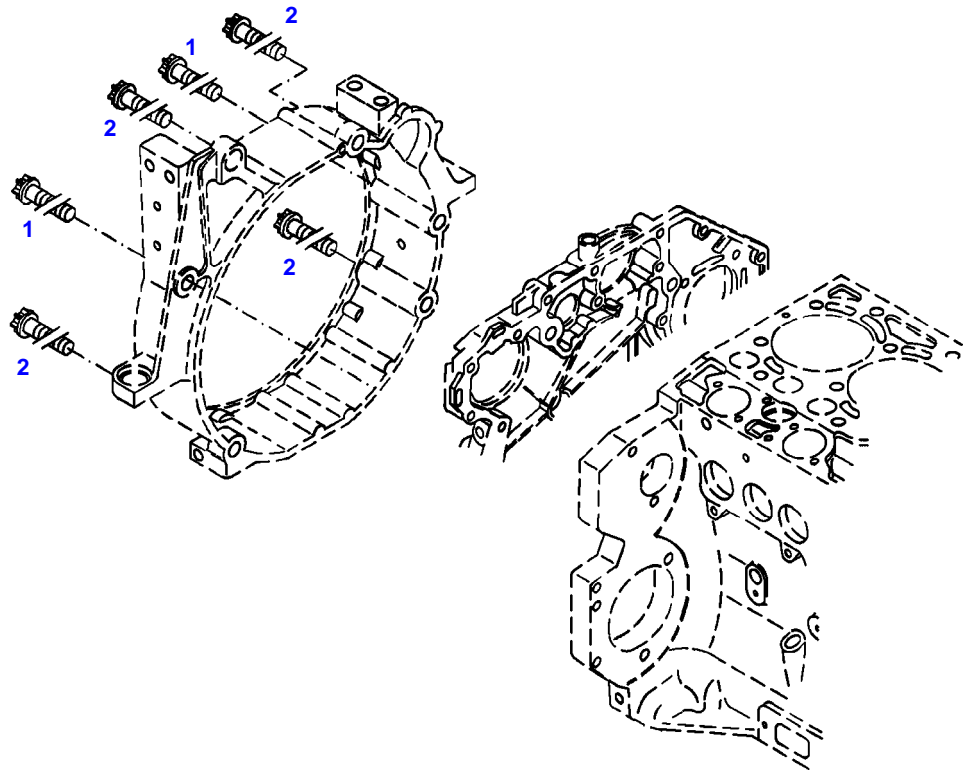


F060498



Item	Part Number	Qty	Description Comments	Technical Specification
1	72430228	1	CONNECTING HOUSING	
2	72416423	1	COVER PANEL	
3	72325300	3	HEXAGONAL HEAD BOLT M6X12	M6X12
5	72426777	2	LOCKING PLUG	F5

FENDT 819 VARIO SCR (832/00101-99999)  
35405



035405

Thank you so much for reading.  
Please click the “Buy Now!”  
button below to download the  
complete manual.



After you pay.

You can download the most  
perfect and complete manual in  
the world immediately.

Our support email:

[ebooklibonline@outlook.com](mailto:ebooklibonline@outlook.com)