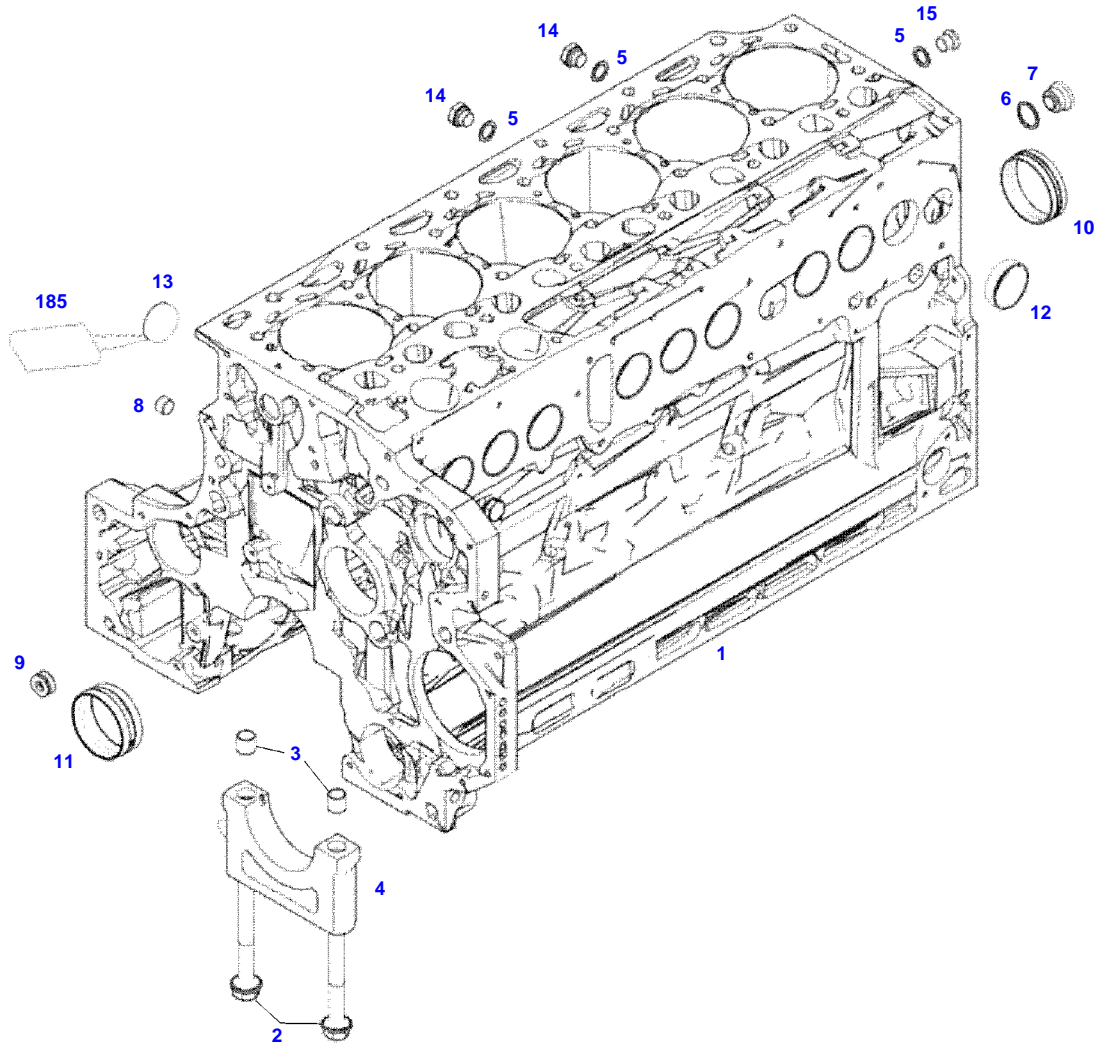


TABLE OF CONTENT

Page Number	Page Title	Page Reference
01-000-TOC	ENGINE, FUEL AND EXHAUST SYSTEM	01-000-TOC
02-000-TOC	AXLES	02-000-TOC
03-000-TOC	STEERING SYSTEM	03-000-TOC
04-000-TOC	DRIVE TRAIN SYSTEM	04-000-TOC
05-000-TOC	COMPRESSED AIR SYSTEM	05-000-TOC
06-000-TOC	HYDRAULIC SYSTEM	06-000-TOC
07-000-TOC	ELECTRICAL SYSTEM	07-000-TOC
08-000-TOC	CAB	08-000-TOC
09-000-TOC	AIR CONDITIONING AND HEATING SYSTEM	09-000-TOC
10-000-TOC	CHASSIS	10-000-TOC
11-000-TOC	WHEELS	11-000-TOC
12-000-TOC	IMPLEMENT LIFT SYSTEM FRONT	12-000-TOC
13-000-TOC	IMPLEMENT LIFT SYSTEM REAR	13-000-TOC
14-000-TOC	PRECISION FARMING SYSTEMS	14-000-TOC
15-000-TOC	ACCESSORIES	15-000-TOC

FENDT 822NA VARIO SCR (833/00101-99999)
F061411

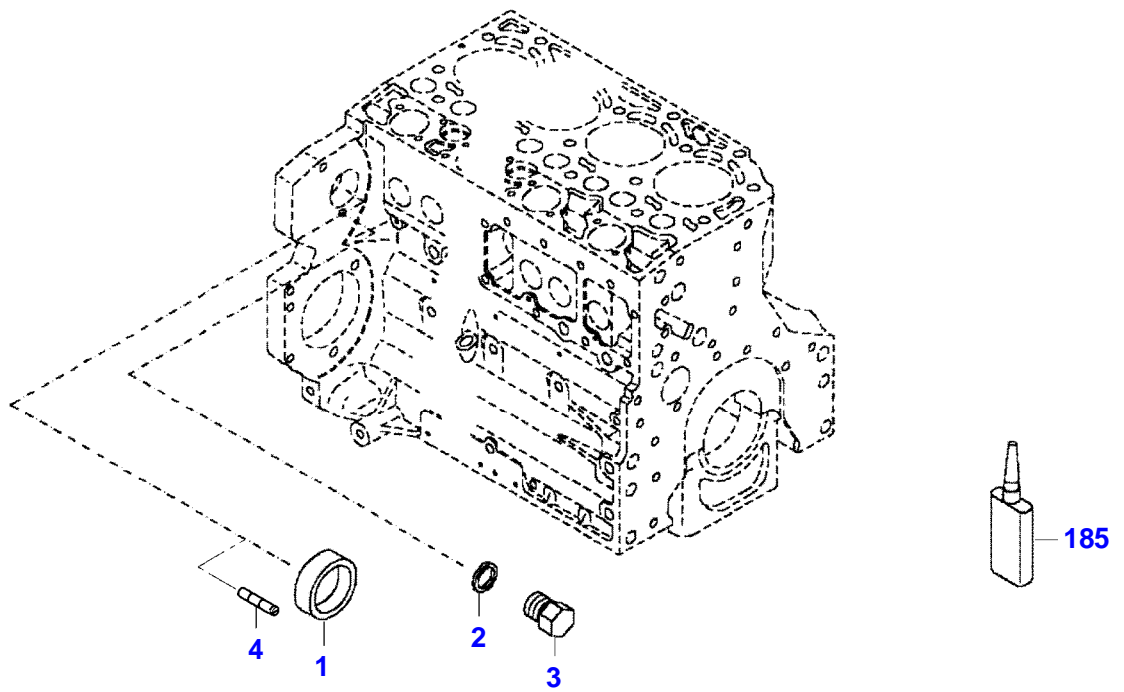


F061411



Item	Part Number	Qty	Description Comments	Technical Specification
			FROM - UP TO ENGINE S/N 11718244 - 11778484	
	72442823	1	ENGINE --> 833/1267	TCD6.1L6
	72605678	1	ENGINE <-- 833/1268 --> 833/1472	TCD6.1L6
	72609551	1	ENGINE <-- 833/1473 --> 833/1501	TCD6.1L6
	72610101	1	ENGINE FLEXI ENGINE <-- 833/1502	TCD6.1L6
	72608986	1	REMANUFACTURED SHORT BLOCK ENGINE	
1	72616644	1	CRANKCASE INCLUDES ITEMS 2-15	
2	72416467	14	HEXAGONAL HEAD BOLT	
3	72344342	14	ADAPTER BUSH	
4				
			NOT AVAILABLE IN SINGLE PARTS	
5	72456134	3	SEALING WASHER	DIN 7603 D14X20-CU-VERZINNT
6	72439874	1	SEALING WASHER	
7	72455559	1	PLUG SCREW	
8	72429347	2	SCREW	M14X1,5
9	72431135	1	LOCKING PLUG	
10	ACP0152940	6	FEMALE BEARING	
11	ACP0152930	1	FEMALE BEARING	
12	72325325	9	CORE HOLE PLUG	
13	72325326	6	CORE HOLE PLUG	
14	72315799	3	PLUG	DIN 7604 AM14X1,5-A3L
15	72315438	1	PLUG SCREW	DIN 908 M14X1,5-ST
185	72381391	1	THREADLOCKER	LOCTITE 243 10ML

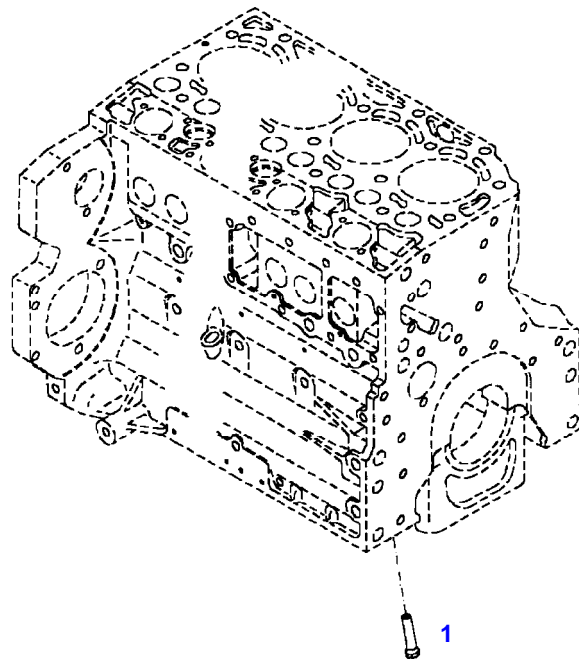
FENDT 822NA VARIO SCR (833/00101-99999)
432327-M-1



432327-M-1

Item	Part Number	Qty	Description Comments	Technical Specification
BLANKING PARTS				
1	72627515	1	CORE HOLE PLUG	
2	72315088	2	SEALING WASHER	DIN 7603 A10X13,5-CU
3	72323677	2	PLUG	
4	72631860	2	THREADED PIN UP TO ENGINE S/N	
185	72325403	1	SAFE.LOCK AGENT	

FENDT 822NA VARIO SCR (833/00101-99999)
30094



030004

Fendt

FENDT 822NA VARIO SCR (833/00101-99999)

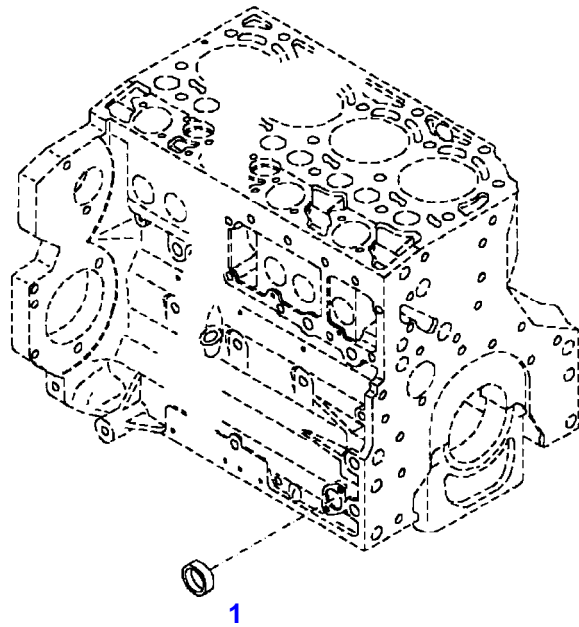
F833105

CRANKCASE

Page01-0006

Item	Part Number	Qty	Description Comments
			PISTON COOL.NOZZLE
1	72415140	6	PISTON COOLING JET

FENDT 822NA VARIO SCR (833/00101-99999)
40194



1

185



040194

Fendt

FENDT 822NA VARIO SCR (833/00101-99999)

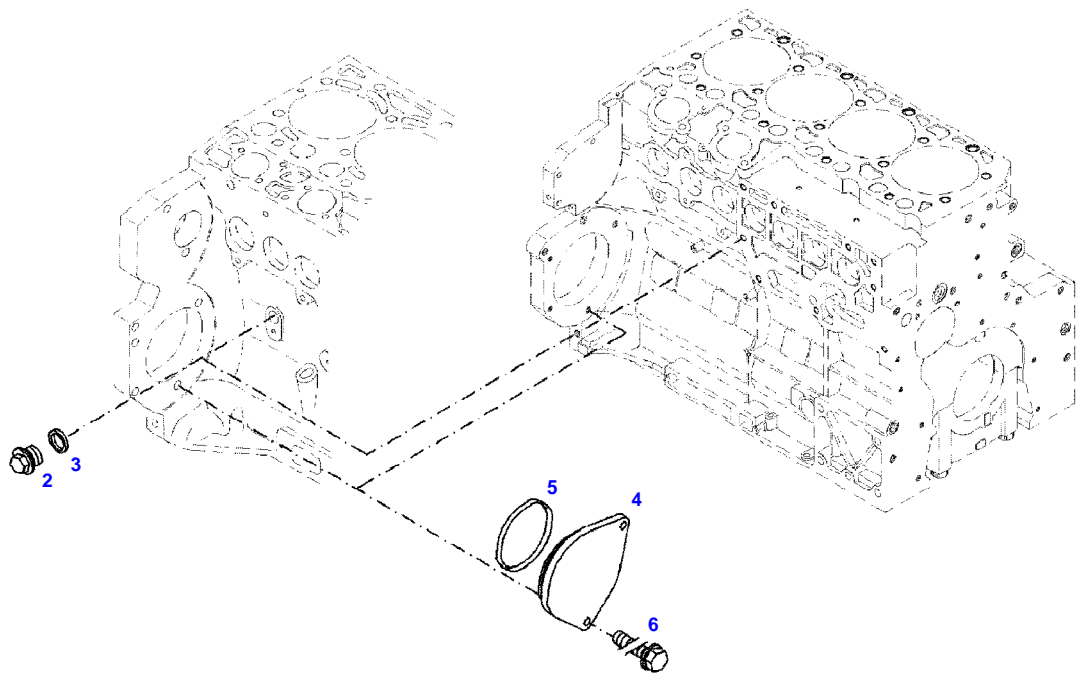
F833105

CRANKCASE

Page01-0007

Item	Part Number	Qty	Description Comments
			LOCKING PLUG
1	72325326	1	CORE HOLE PLUG
185	72325403	1	SAFE.LOCK AGENT

FENDT 822NA VARIO SCR (833/00101-99999)
F51577

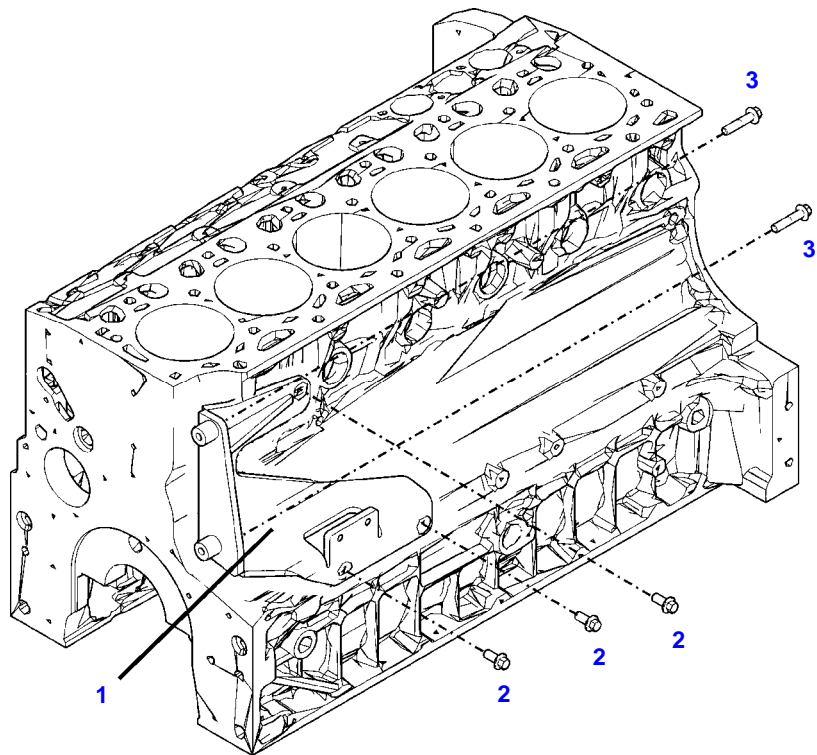


051577



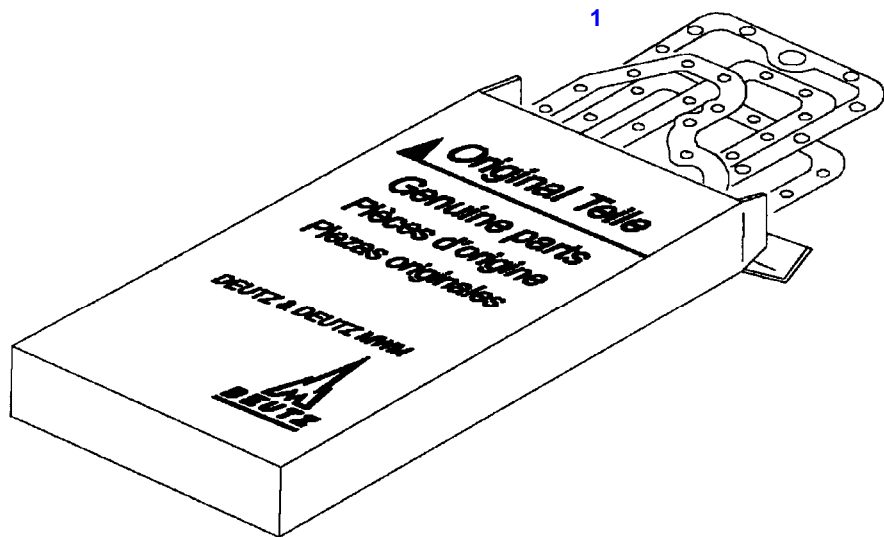
Item	Part Number	Qty	Description Comments	Technical Specification
BLANKING PARTS				
2	72315799	1	PLUG NOT NEEDED WITH AIR BRAKE	DIN 7604 AM14X1,5-A3L
3	72315094	1	SEALING WASHER NOT NEEDED WITH AIR BRAKE	DIN 7603 A14X18-CU
4	72431648	1	COVER NOT NEEDED WITH AIR BRAKE	
5	72416472	1	SEAL 96X4MM NOT NEEDED WITH AIR BRAKE	
6	72438057	2	HEXAGONAL HEAD BOLT NOT NEEDED WITH AIR BRAKE	M10X20

FENDT 822NA VARIO SCR (833/00101-99999)
41241



041241

Item	Part Number	Qty	Description Comments	Technical Specification
			SUPPORT	
1	72485479	1	RETAINING SHEET METAL	
2	72415315	3	HEXAGONAL HEAD BOLT M8X20	M8X20
3	72325457	2	HEXAGONAL HEAD BOLT M8X40	



030100

Fendt

FENDT 822NA VARIO SCR (833/00101-99999)

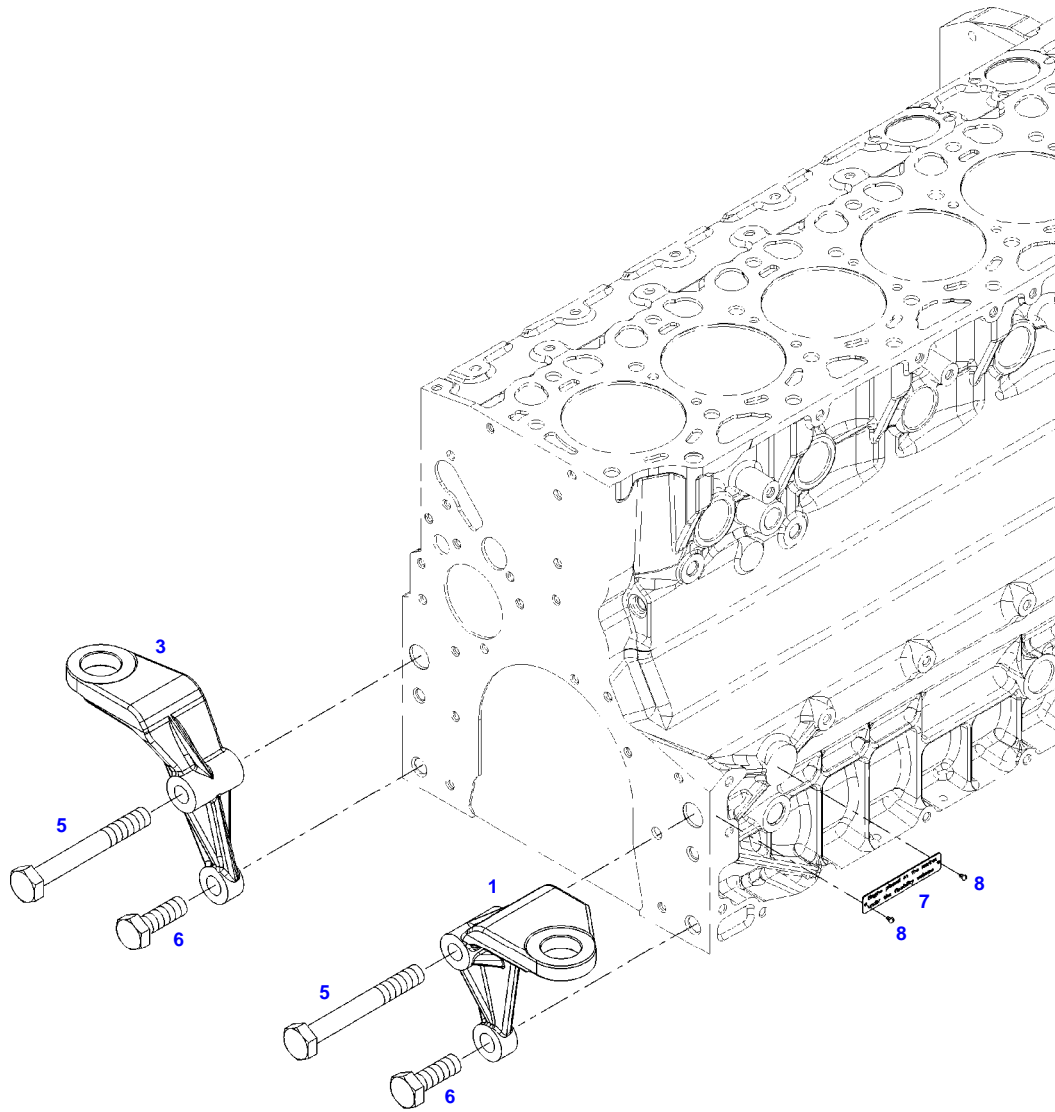
F833105

SET OF GASKETS - MOTOR

Page01-0010

Item	Part Number	Qty	Description Comments
1	72609323	1	SEAL KIT WITHOUT CYLINDER HEAD GASKET UP TO ENGINE NUMBER 11688392
	72615421	1	SEAL KIT WITHOUT CYLINDER HEAD GASKET FROM ENGINE S/N 11688393

FENDT 822NA VARIO SCR (833/00101-99999)
F061413



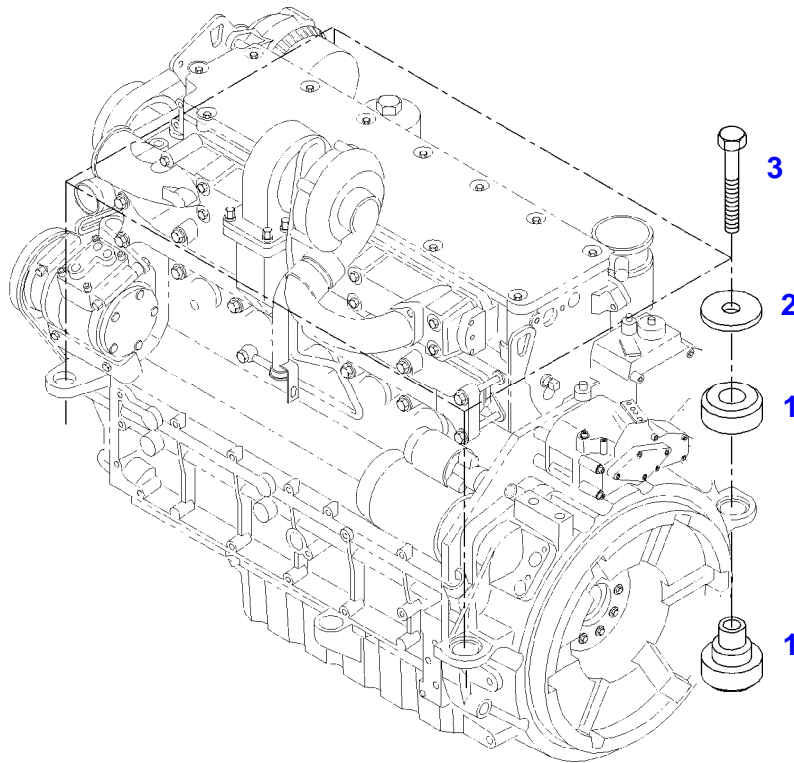
F061413



ENGINE MOUNTINGS

Item	Part Number	Qty	Description Comments	Technical Specification
1	72481055	1	ENGINE MOUNT LEFT	
3	72481061	1	ENGINE MOUNT RIGHT	
5	72374294	2	HEXAGONAL HEAD BOLT	DIN 931-M16X85 GWA-10.9
6	72418408	2	HEXAGONAL HEAD BOLT	DIN 933 M16X40 GWA-10.9
7	72452403	1	MARKING PLATE FLEXI ENGINE	
8	72313751	2	SLOTTED PIN	DIN 1476-3X5-AL

FENDT 822NA VARIO SCR (833/00101-99999)
35107



035107

Fendt

FENDT 822NA VARIO SCR (833/00101-99999)

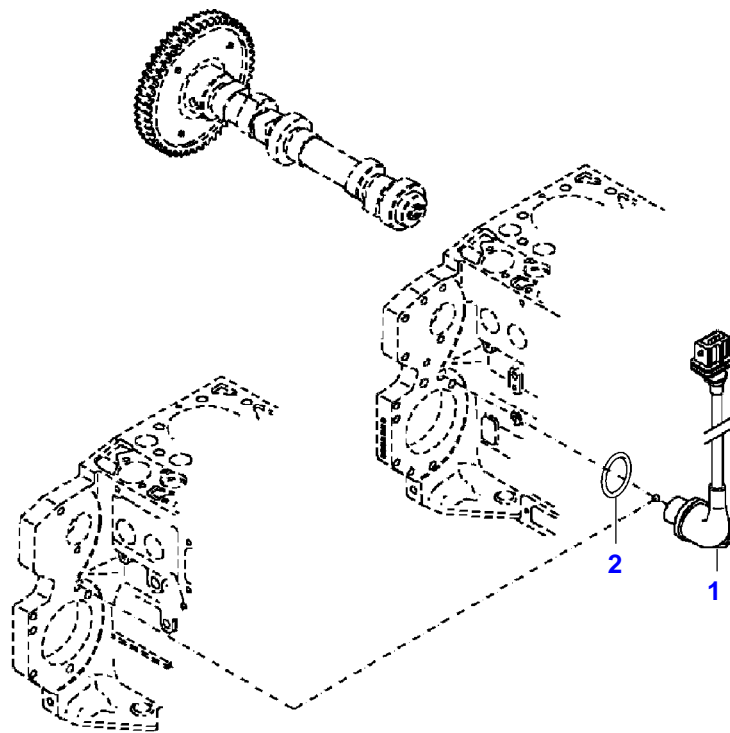
F833105

ENGINE BEARINGS

Page01-0012

Item	Part Number	Qty	Description Comments	Technical Specification
1	72483499	4	ENGINE MOUNT	
2	72318110	4	DISC	
3	72315563	4	HEXAGONAL HEAD BOLT	DIN 931 M12X80-8.8A3L

FENDT 822NA VARIO SCR (833/00101-99999)
431755-M-1



431755-M-1

Fendt

FENDT 822NA VARIO SCR (833/00101-99999)

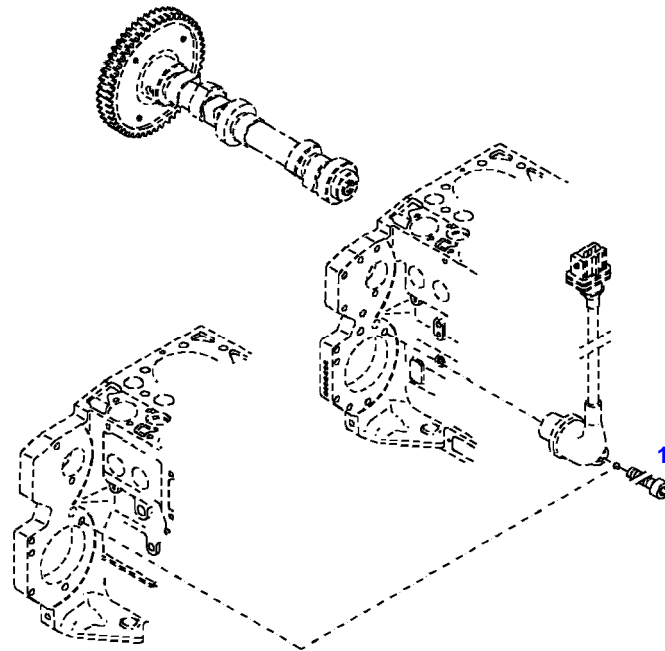
F833105

TRANSMITTER

Page01-0013

Item	Part Number	Qty	Description Comments
			ENGINE SPEED EDC
1	72626758	1	TRANSMITTER
2	72628348	1	O-RING

FENDT 822NA VARIO SCR (833/00101-99999)
35317



035317

Fendt

FENDT 822NA VARIO SCR (833/00101-99999)

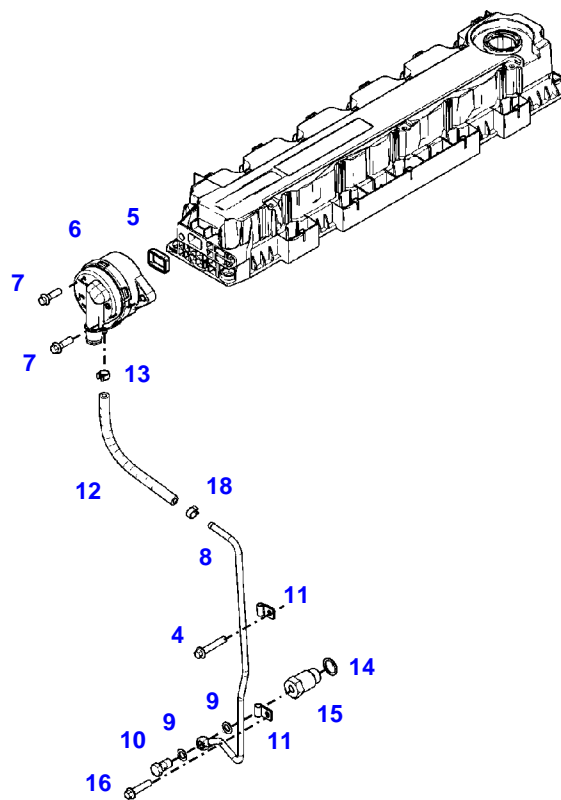
F833105

TRANSMITTER

Page01-0014

Item	Part Number	Qty	Description Comments	Technical Specification
			ENGINE SPEED FASTENINGS	
1	72315460	1	SOCKET HEAD BOLT	DIN 912 M6X16-8.8

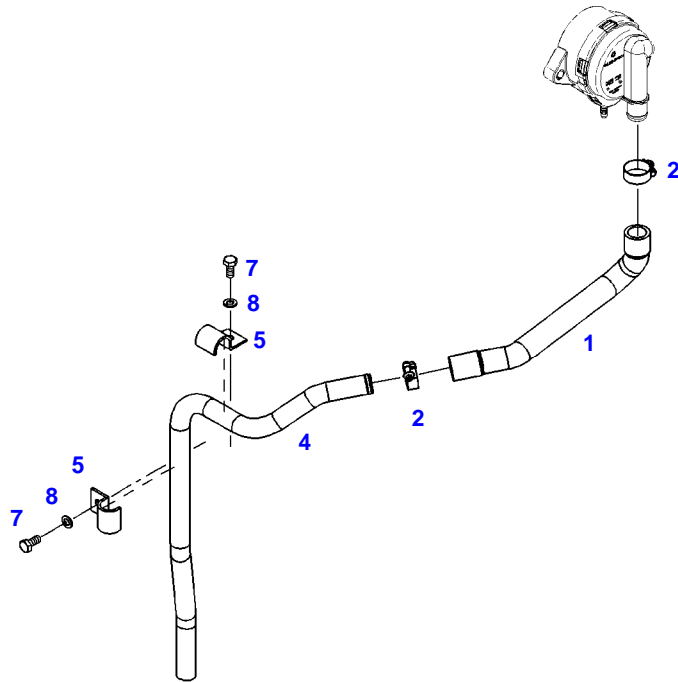
FENDT 822NA VARIO SCR (833/00101-99999)
41242



041242

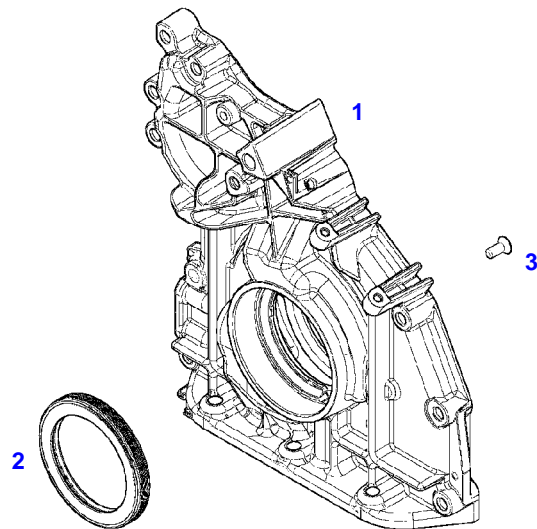
Item	Part Number	Qty	Description Comments	Technical Specification
4	72325453	1	HEXAGONAL HEAD BOLT M8X50	
5	72455795	1	SEAL	
6	72437250	1	BREATHER ><5	
7	72325293	2	HEXAGONAL HEAD BOLT M8X30	M8X30
8	72495347	1	OIL RETURN LINE ><9-13	
9	72439873	2	SEALING WASHER	
10	72323517	1	BANJO BOLT	
11	72425772	2	PIPE CLAMP	
12	72495349	1	RUBBER HOSE	
13	72479013	1	HOSE CLIP	
14	72439874	1	SEALING WASHER	
15	72425770	1	LOCK VALVE	
16	72325457	1	HEXAGONAL HEAD BOLT M8X40	
18	72479013	1	HOSE CLIP	

FENDT 822NA VARIO SCR (833/00101-99999)
37622



037622

Item	Part Number	Qty	Description Comments	Technical Specification
			BREATHER TUBE	
1	72497866	1	HOSE ARCH <-- 833/0101 --> 833/0200 <> <-- 833/1001 --> 833/1013 <> <>	
	72487059	1	PIPE	
2	72311167	2	HOSE CLIP	
4	72487059	1	PIPE <-- 833/0101 --> 833/0200 <> <-- 833/1001 --> 833/1013 <> <>	
	72497866	1	HOSE ARCH	
5	72605304	2	CLIP	
7	72315646	2	HEXAGONAL HEAD BOLT	DIN 933 M8X18-8.8A3L
8	72315053	2	SPLIT WASHER	FWN 65208-8-A3L



041199

Fendt

FENDT 822NA VARIO SCR (833/00101-99999)

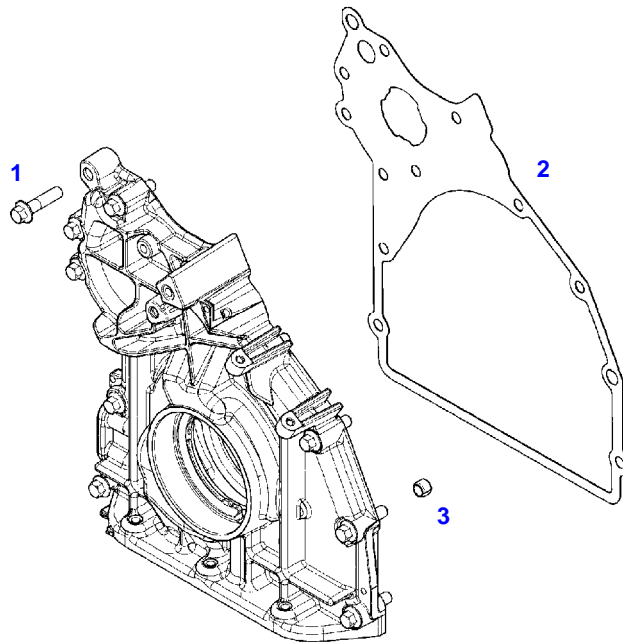
F833105

FRONT COVER

Page01-0017

Item	Part Number	Qty	Description Comments
			INTEGRATED OIL PUMP
1	72479485	1	CRANKCASE END COVER INTEGRATED OIL PUMP ><2,3
2	72479487	1	SHAFT SEAL
3	72416228	8	COUNTERSUNK CAPSCREW M6X16

FENDT 822NA VARIO SCR (833/00101-99999)
41243



041243

Fendt

FENDT 822NA VARIO SCR (833/00101-99999)

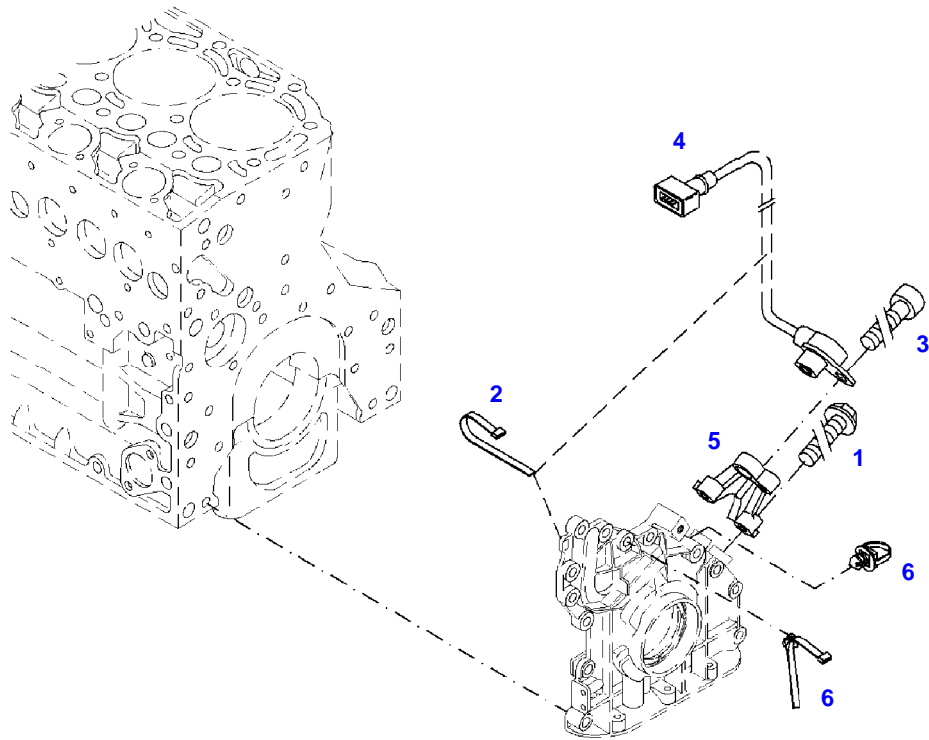
F833105

FRONT COVER

Page01-0018

Item	Part Number	Qty	Description Comments	Technical Specification
FASTENINGS				
1	72605244	12	HEXAGONAL HEAD BOLT M8X35	M8X35
2	72486511	1	SEAL	
3	72325352	1	TENSIONER BUSHING	

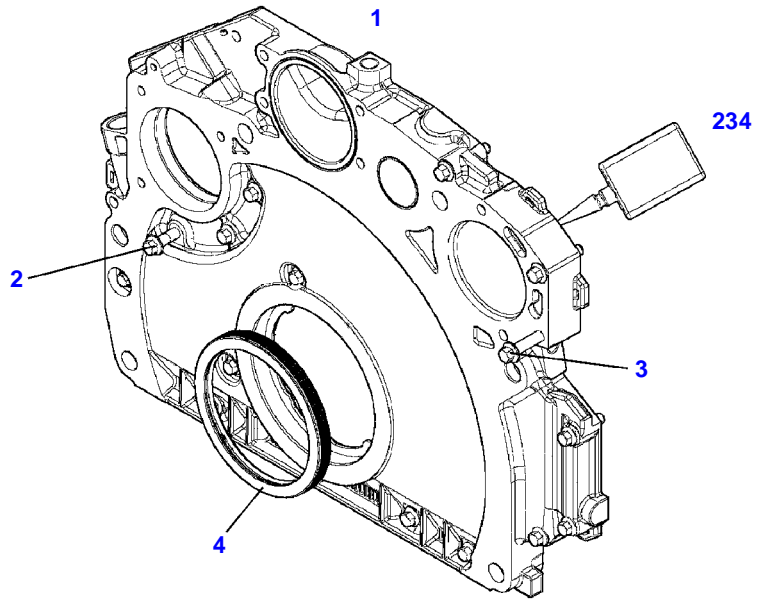
FENDT 822NA VARIO SCR (833/00101-99999)
41001



041001

Item	Part Number	Qty	Description Comments	Technical Specification
			ENGINE SPEED EDC	
1	72436834	2	HEXAGONAL HEAD BOLT M6X30	
2	72416001	3	RETAINING STRAP	
3	72315460	1	SOCKET HEAD BOLT	DIN 912 M6X16-8.8
4	72436872	1	TRANSMITTER ENGINE SPEED EDC	
5	72494073	1	RETAINER	
6	72455561	2	RETAINING STRAP	

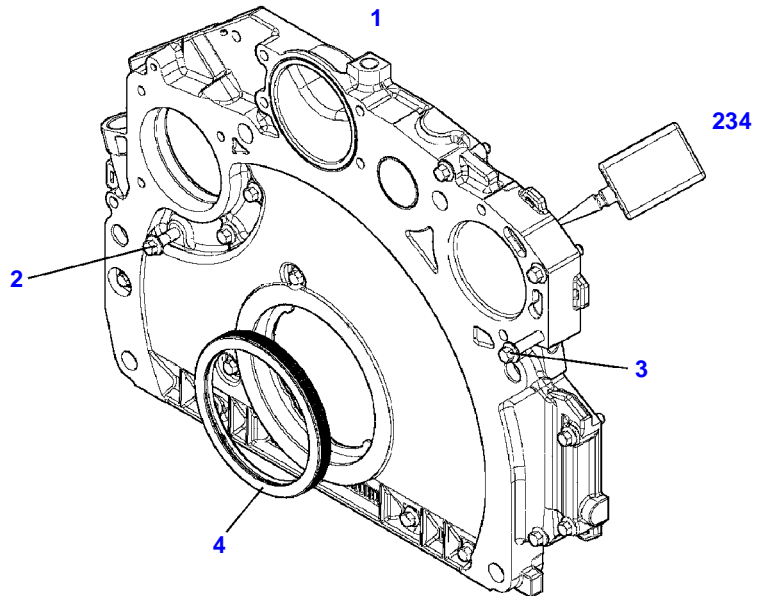
FENDT 822NA VARIO SCR (833/00101-99999)
41231



041231

Item	Part Number	Qty	Description Comments	Technical Specification
			ENGINE NUMBER --> 11425711	
1	72615423	1	WHEEL BOX	
2	72605244	12	HEXAGONAL HEAD BOLT M8X35	M8X35
3	72325388	3	HEXAGONAL HEAD BOLT M8X45	M8X45
4	72479495	1	SHAFT SEAL	
234	72325408	1	SEALING COMPOUND	

FENDT 822NA VARIO SCR (833/00101-99999)
41231



041231

Item	Part Number	Qty	Description Comments	Technical Specification
			ENGINE NUMBER <-- 11425712	
1	72615423	1	WHEEL BOX	
2	72605244	12	HEXAGONAL HEAD BOLT M8X35	M8X35
3	72325388	3	HEXAGONAL HEAD BOLT M8X45	M8X45
4	72479495	1	SHAFT SEAL	
234	72626246	1	SEALING COMPOUND	

Thank you so much for reading.
Please click the “Buy Now!”
button below to download the
complete manual.



After you pay.

You can download the most
perfect and complete manual in
the world immediately.

Our support email:

ebooklibonline@outlook.com