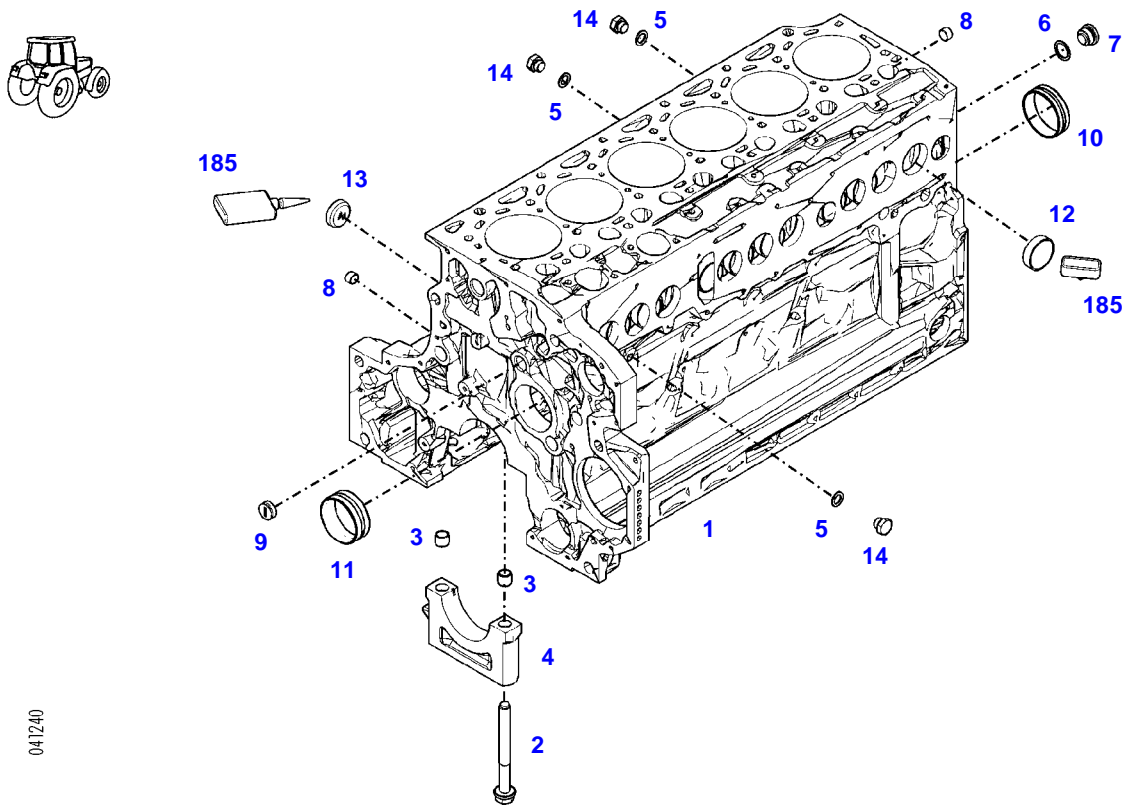


**TABLE OF CONTENT**

<b>Page Number</b>	<b>Page Title</b>	<b>Page Reference</b>
01-000-TOC	ENGINE, FUEL AND EXHAUST SYSTEM	01-000-TOC
02-000-TOC	AXLES	02-000-TOC
03-000-TOC	STEERING SYSTEM	03-000-TOC
04-000-TOC	DRIVE TRAIN SYSTEM	04-000-TOC
05-000-TOC	COMPRESSED AIR SYSTEM	05-000-TOC
06-000-TOC	HYDRAULIC SYSTEM	06-000-TOC
07-000-TOC	ELECTRICAL SYSTEM	07-000-TOC
08-000-TOC	CAB	08-000-TOC
09-000-TOC	AIR CONDITIONING AND HEATING SYSTEM	09-000-TOC
10-000-TOC	CHASSIS	10-000-TOC
11-000-TOC	WHEELS	11-000-TOC
12-000-TOC	IMPLEMENT LIFT SYSTEM FRONT	12-000-TOC
13-000-TOC	IMPLEMENT LIFT SYSTEM REAR	13-000-TOC
14-000-TOC	PRECISION FARMING SYSTEMS	14-000-TOC
15-000-TOC	ACCESSORIES	15-000-TOC

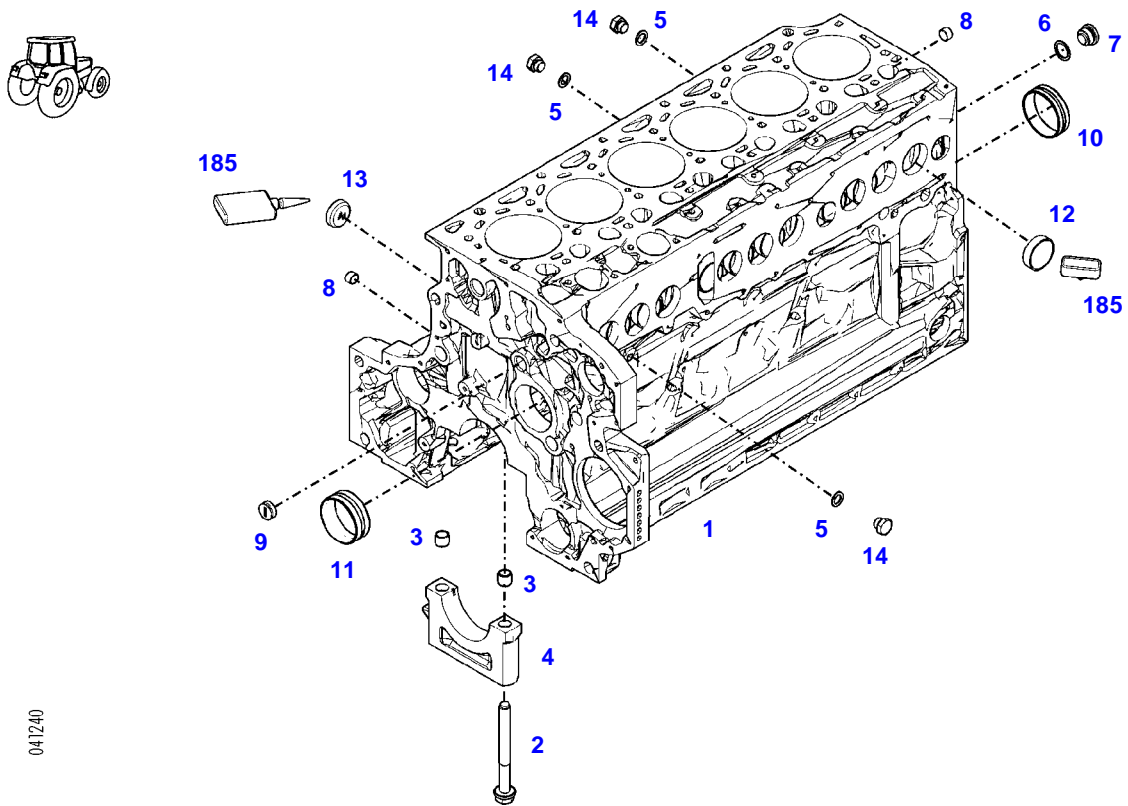
FENDT 824NA VARIO SCR (834/00101-99999)  
41240



041240

Item	Part Number	Qty	Description Comments	Technical Specification
			<b>ENGINE NUMBER</b> --> 11068481	
	72442824	1	ENGINE	TCD6.1L6
	72608987	1	REMANUFACTURED SHORT BLOCK ENGINE	
1	72486483	1	CRANKCASE ><2-14	
2	72416467	14	HEXAGONAL HEAD BOLT	
3	72344342	14	ADAPTER BUSH	
4			NOT AVAILABLE IN SINGLE PARTS	
5	72456134	3	SEALING WASHER	DIN 7603 D14X20-CU-VERZINNT
6	72439874	1	SEALING WASHER	
7	72455559	1	PLUG SCREW	
8	72429347	2	SCREW M14X1,5	M14X1,5
9	72431135	1	LOCKING PLUG	
10	72416469	6	BEARING BUSHING	
11	72479363	1	BEARING BUSHING	
12	72325325	9	CORE HOLE PLUG	
13	72325326	6	CORE HOLE PLUG	
14	72315799	3	PLUG	DIN 7604 AM14X1,5-A3L
185	72381391	1	THREADLOCKER	LOCTITE 243 10ML

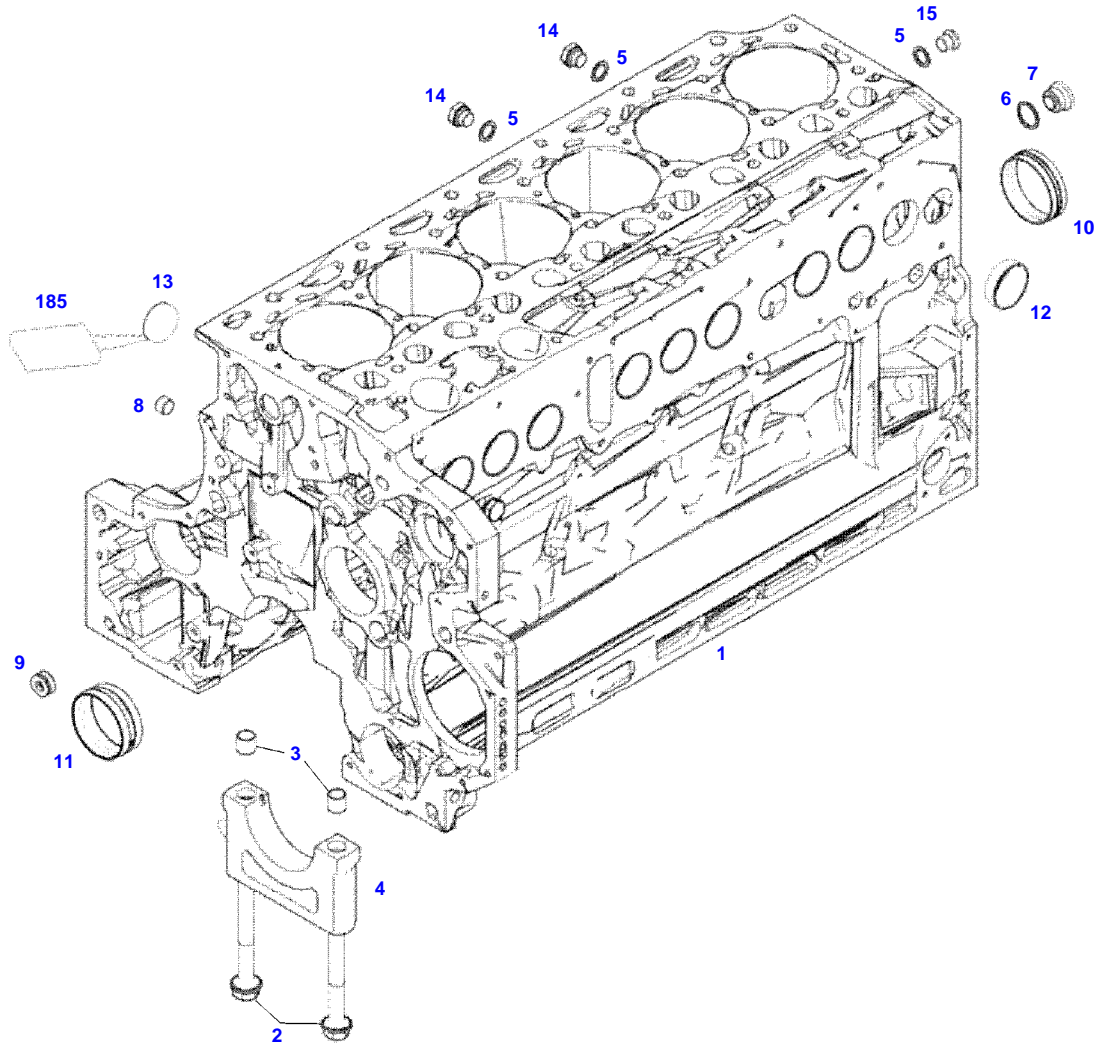
FENDT 824NA VARIO SCR (834/00101-99999)  
41240



041240

Item	Part Number	Qty	Description Comments	Technical Specification
			<b>ENGINE NUMBER</b> <b>&lt;-- 11068482</b>	
	72442824	1	ENGINE --> 834/1511	TCD6.1L6
	72608987	1	REMANUFACTURED SHORT BLOCK ENGINE --> 834/1511	
	72605677	1	ENGINE <-- 834/1512 --> 834/2076	TCD6.1L6
	72608987	1	REMANUFACTURED SHORT BLOCK ENGINE <-- 834/1512 --> 834/2076	
	72609552	1	ENGINE <-- 834/2077 --> 834/2151	TCD6.1L6
	72610102	1	ENGINE <-- 834/2152	TCD6.1L6
1	72491820	1	CRANKCASE ><2-14 ENG.NO. --> 11250667 SERIES EXECUTION NO LONGER AVAILABLE	
	72616644	1	CRANKCASE ENG.NO. --> 11250667 SUPERSESSION	
	72492421	1	CRANKCASE ><2-14 ENG.NO. <-- 11250668 SERIES EXECUTION NO LONGER AVAILABLE	
	72616644	1	CRANKCASE ENG.NO. <-- 11250668 SUPERSESSION	
2	72416467	14	HEXAGONAL HEAD BOLT	
3	72344342	14	ADAPTER BUSH	
4			NOT AVAILABLE IN SINGLE PARTS	
5	72456134	3	SEALING WASHER	DIN 7603 D14X20-CU-VERZINNT
6	72439874	1	SEALING WASHER	
7	72455559	1	PLUG SCREW	
8	72429347	2	SCREW M14X1,5	M14X1,5
9	72431135	1	LOCKING PLUG	
10	72416469	6	BEARING BUSHING ENG.NO. --> 11250667	
	72497417	6	BEARING BUSHING ENG.NO. <-- 11250668	
11	72491822	1	BEARING BUSHING	
12	72325325	9	CORE HOLE PLUG	
13	72325326	6	CORE HOLE PLUG	
14	72315799	3	PLUG	DIN 7604 AM14X1,5-A3L
185	72381391	1	THREADLOCKER	LOCTITE 243 10ML

FENDT 824NA VARIO SCR (834/00101-99999)  
F061411

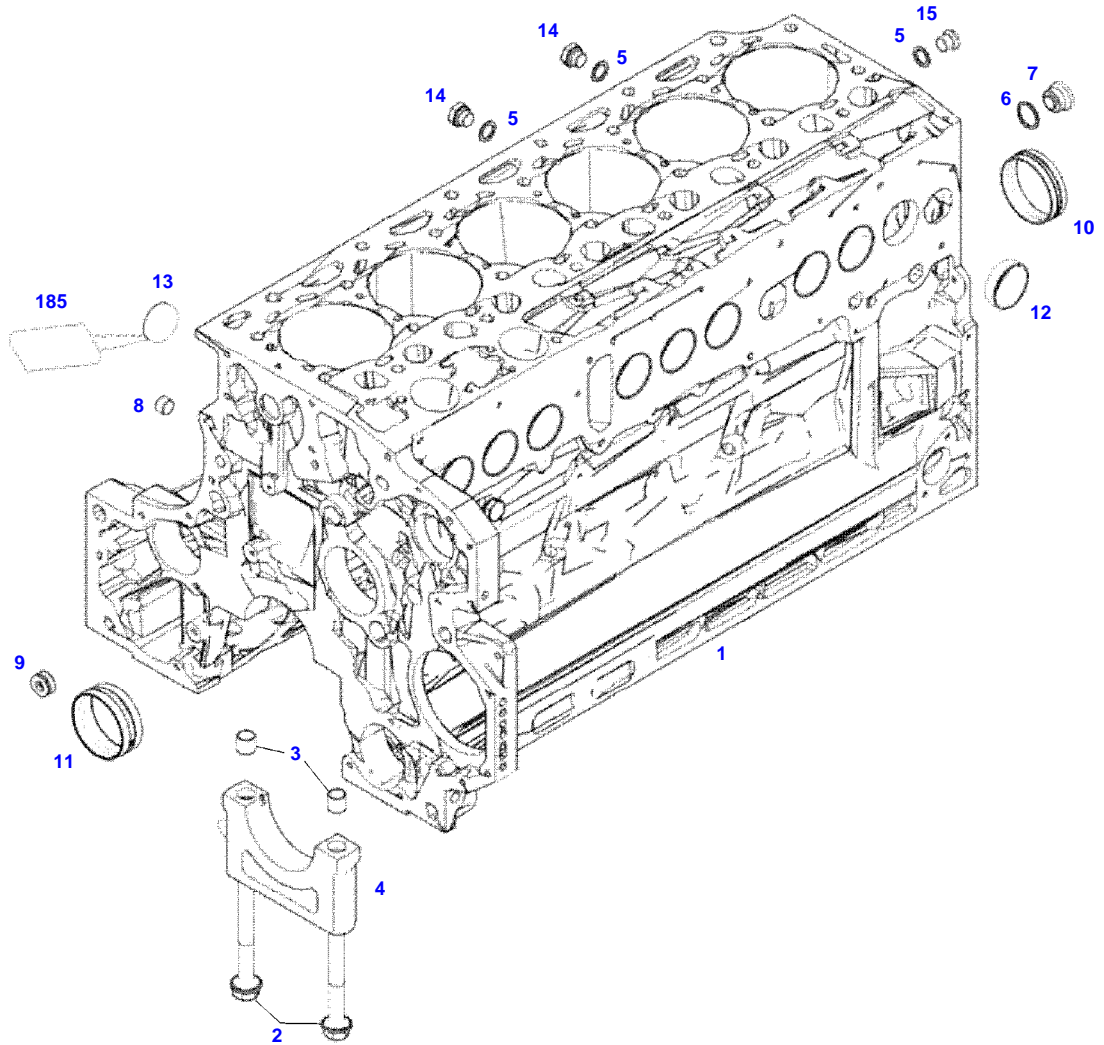


F061411



Item	Part Number	Qty	Description Comments	Technical Specification
			FROM - UP TO ENGINE S/N 11703111 - 11715417	
	72442824	1	ENGINE --> 834/1511	TCD6.1L6
	72605677	1	ENGINE <-- 834/1512 --> 834/2076	TCD6.1L6
	72609552	1	ENGINE <-- 834/2077 --> 834/2151	TCD6.1L6
	72610102	1	ENGINE FLEXI ENGINE <-- 834/2152	TCD6.1L6
	72608987	1	REMANUFACTURED SHORT BLOCK ENGINE --> 834/2076	
1	72627571	1	CRANKCASE INCLUDES ITEMS 2-15	
2	72416467	14	HEXAGONAL HEAD BOLT	
3	72344342	14	ADAPTER BUSH	
4			NOT AVAILABLE IN SINGLE PARTS	
5	72456134	3	SEALING WASHER	DIN 7603 D14X20-CU-VERZINNT
6	72439874	1	SEALING WASHER	
7	72455559	1	PLUG SCREW	
8	72429347	2	SCREW	M14X1,5
9	72431135	1	LOCKING PLUG	
10	72615416	6	BEARING BUSHING	
11	72491822	1	BEARING BUSHING	
12	72325325	9	CORE HOLE PLUG	
13	72325326	6	CORE HOLE PLUG	
14	72315799	3	PLUG	DIN 7604 AM14X1,5-A3L
15	72315438	1	PLUG SCREW	DIN 908 M14X1,5-ST
185	72381391	1	THREADLOCKER	LOCTITE 243 10ML

FENDT 824NA VARIO SCR (834/00101-99999)  
F061411



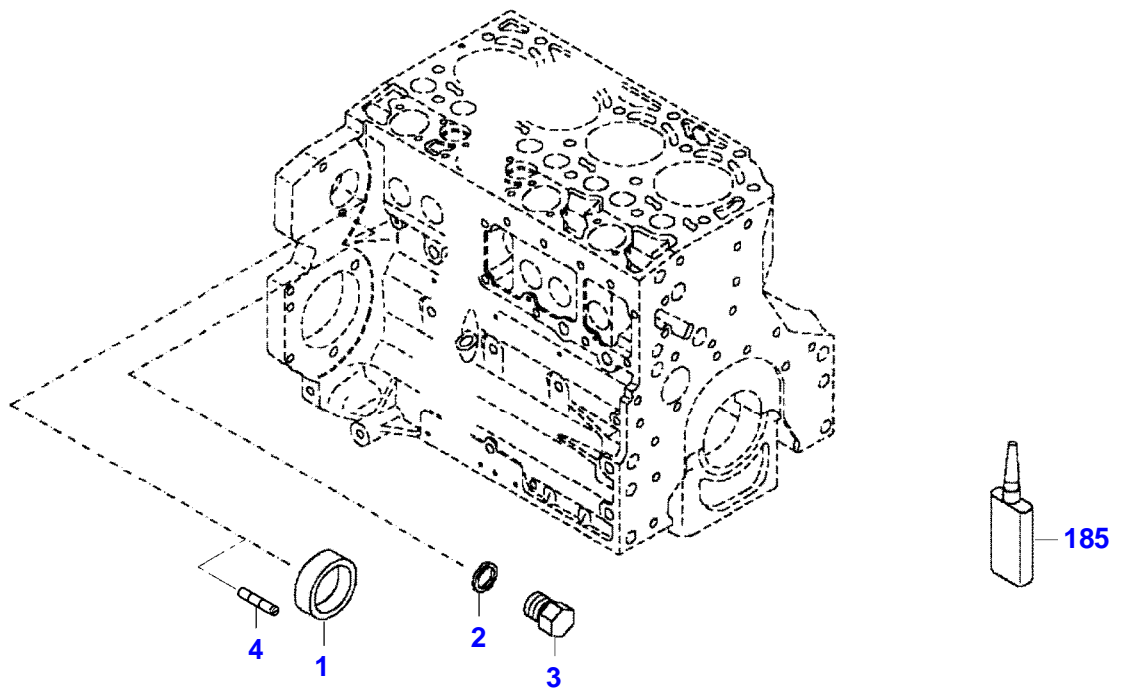
F061411





Item	Part Number	Qty	Description Comments	Technical Specification
			FROM - UP TO ENGINE S/N 11718244 - 11778484	
	72442824	1	ENGINE --> 834/1511	TCD6.1L6
	72605677	1	ENGINE <-- 834/1512 --> 834/2076	TCD6.1L6
	72609552	1	ENGINE <-- 834/2077 --> 834/2151	TCD6.1L6
	72610102	1	ENGINE FLEXI ENGINE <-- 834/2152	TCD6.1L6
	72608987	1	REMANUFACTURED SHORT BLOCK ENGINE --> 834/1511	
1	72616644	1	CRANKCASE INCLUDES ITEMS 2-15	
2	72416467	14	HEXAGONAL HEAD BOLT	
3	72344342	14	ADAPTER BUSH	
4			NOT AVAILABLE IN SINGLE PARTS	
5	72456134	3	SEALING WASHER	DIN 7603 D14X20-CU-VERZINNT
6	72439874	1	SEALING WASHER	
7	72455559	1	PLUG SCREW	
8	72429347	2	SCREW	M14X1,5
9	72431135	1	LOCKING PLUG	
10	ACP0152940	6	FEMALE BEARING	
11	ACP0152930	1	FEMALE BEARING	
12	72325325	9	CORE HOLE PLUG	
13	72325326	6	CORE HOLE PLUG	
14	72315799	3	PLUG	DIN 7604 AM14X1,5-A3L
15	72315438	1	PLUG SCREW	DIN 908 M14X1,5-ST
185	72381391	1	THREADLOCKER	LOCTITE 243 10ML

FENDT 824NA VARIO SCR (834/00101-99999)  
432327-M-1

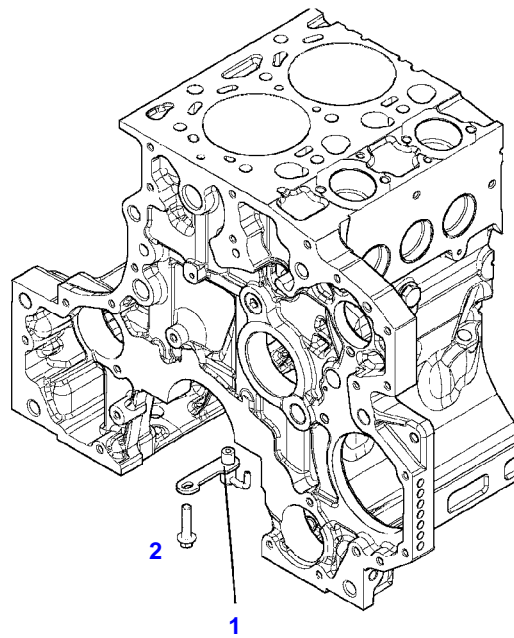


432327-M-1

Item	Part Number	Qty	Description Comments	Technical Specification
<b>BLANKING PARTS</b>				
1	72627515	1	CORE HOLE PLUG	
2	72315088	2	SEALING WASHER	DIN 7603 A10X13,5-CU
3	72323677	2	PLUG	
4	72631860	2	THREADED PIN UP TO ENGINE S/N	
185	72325403	1	SAFE.LOCK AGENT	

FENDT 824NA VARIO SCR (834/00101-99999)  
41197

---



041197

---

Fendt

FENDT 824NA VARIO SCR (834/00101-99999)

F834105

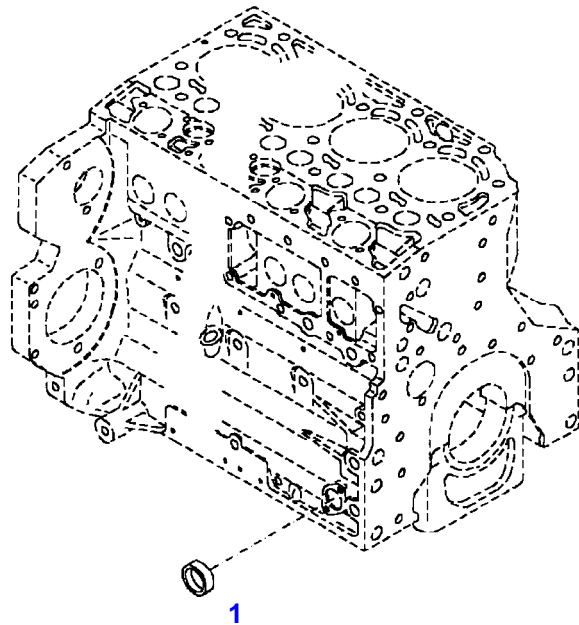
CRANKCASE

Page01-0006

---

Item	Part Number	Qty	Description Comments	Technical Specification
			<b>PISTON COOL.NOZZLE</b>	
1	72479417	6	PISTON COOLING JET	
2	72605244	6	HEXAGONAL HEAD BOLT M8X35	M8X35

FENDT 824NA VARIO SCR (834/00101-99999)  
40194



040194

1

185



---

Fendt

FENDT 824NA VARIO SCR (834/00101-99999)

F834105

CRANKCASE

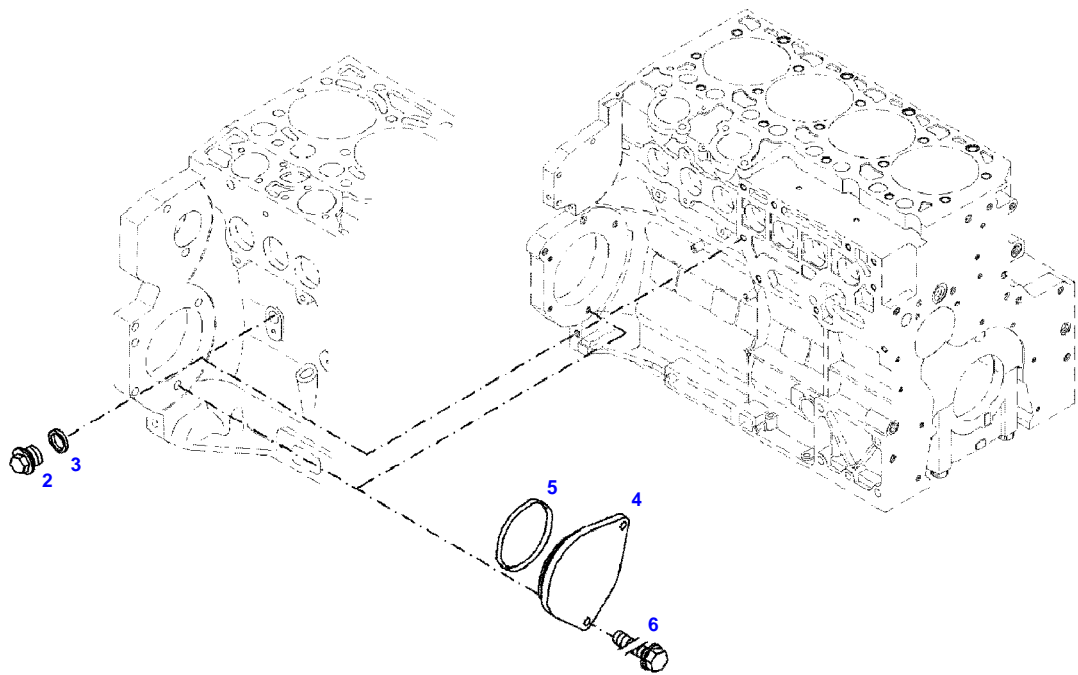
Page01-0007

---

Item	Part Number	Qty	Description Comments
			LOCKING PLUG
1	72325326	1	CORE HOLE PLUG
185	72325403	1	SAFE.LOCK AGENT

FENDT 824NA VARIO SCR (834/00101-99999)  
F51577

---



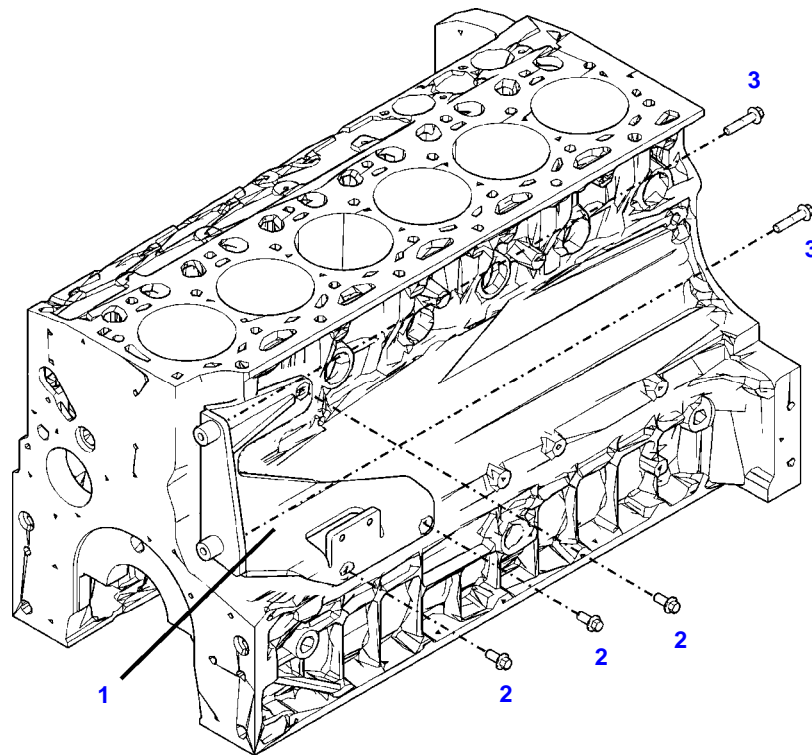
051577





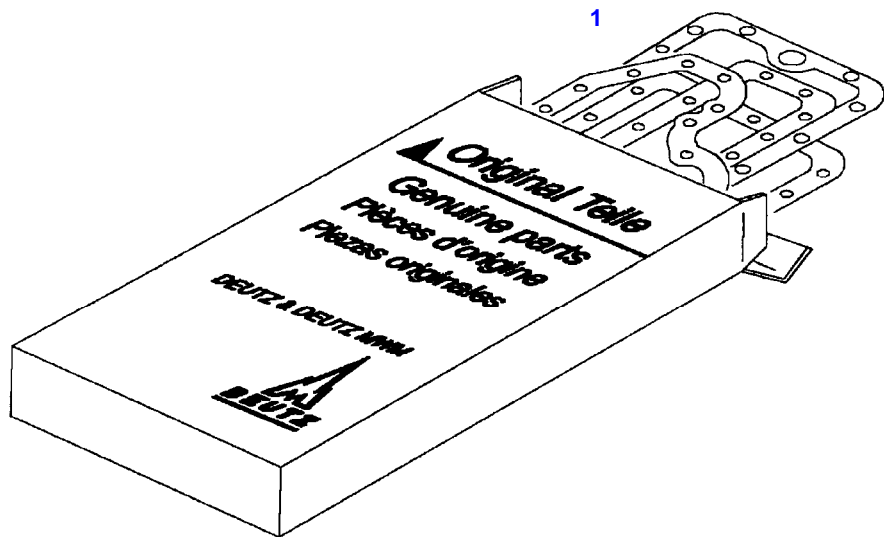
Item	Part Number	Qty	Description Comments	Technical Specification
<b>BLANKING PARTS</b>				
2	72315799	1	PLUG NOT NEEDED WITH AIR BRAKE	DIN 7604 AM14X1,5-A3L
3	72315094	1	SEALING WASHER NOT NEEDED WITH AIR BRAKE	DIN 7603 A14X18-CU
4	72431648	1	COVER NOT NEEDED WITH AIR BRAKE	
5	72416472	1	SEAL 96X4MM NOT NEEDED WITH AIR BRAKE	
6	72438057	2	HEXAGONAL HEAD BOLT NOT NEEDED WITH AIR BRAKE	M10X20

FENDT 824NA VARIO SCR (834/00101-99999)  
41241



041241

Item	Part Number	Qty	Description Comments	Technical Specification
			<b>SUPPORT</b>	
1	72485479	1	RETAINING SHEET METAL	
2	72415315	3	HEXAGONAL HEAD BOLT M8X20	M8X20
3	72325457	2	HEXAGONAL HEAD BOLT M8X40	



030100

---

Fendt

FENDT 824NA VARIO SCR (834/00101-99999)

F834105

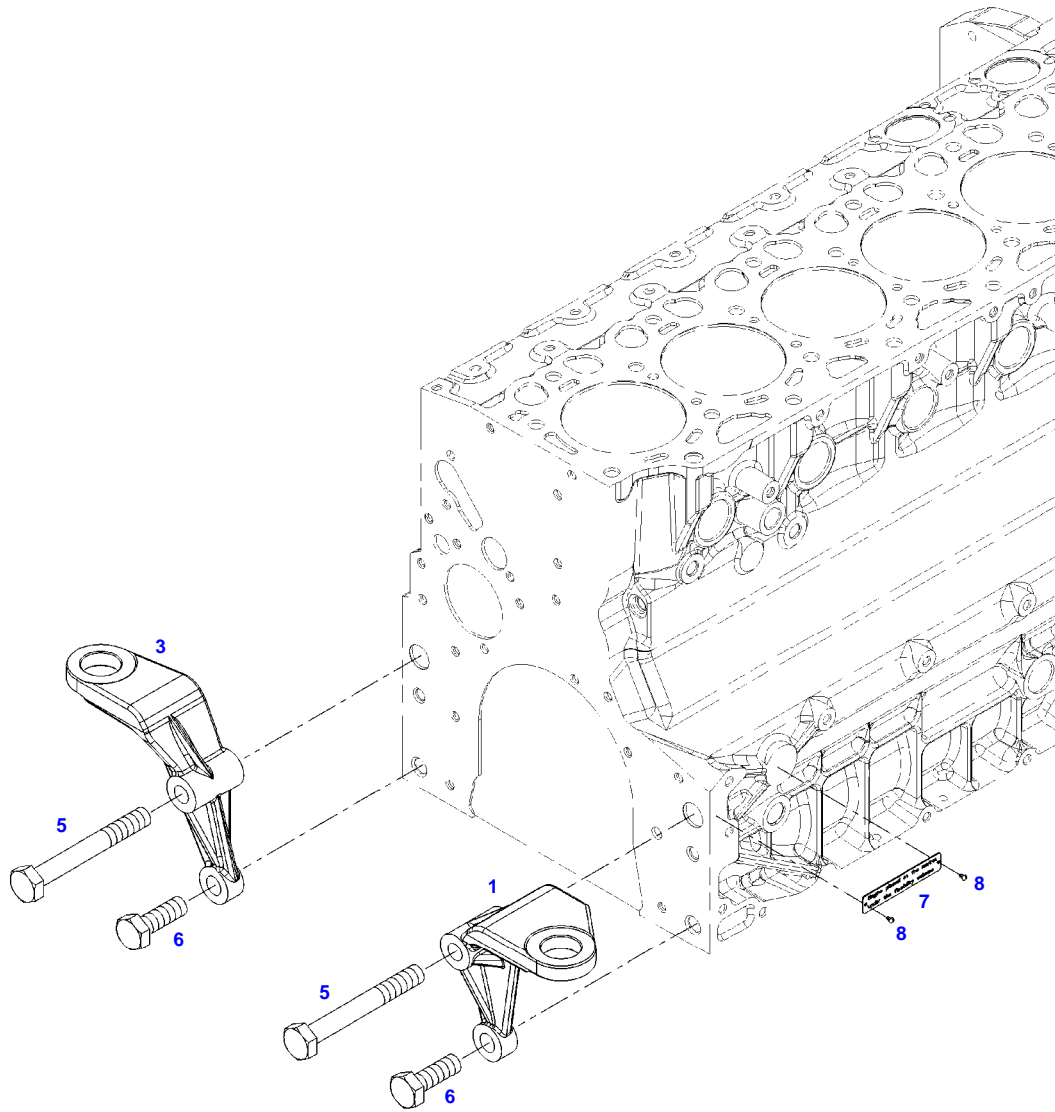
SET OF GASKETS - MOTOR

Page01-0010

---

Item	Part Number	Qty	Description Comments
1	72609323	1	SEAL KIT WITHOUT CYLINDER HEAD GASKET UP TO ENGINE NUMBER 11688392
	72615421	1	SEAL KIT WITHOUT CYLINDER HEAD GASKET FROM ENGINE S/N 11688393

FENDT 824NA VARIO SCR (834/00101-99999)  
F061413

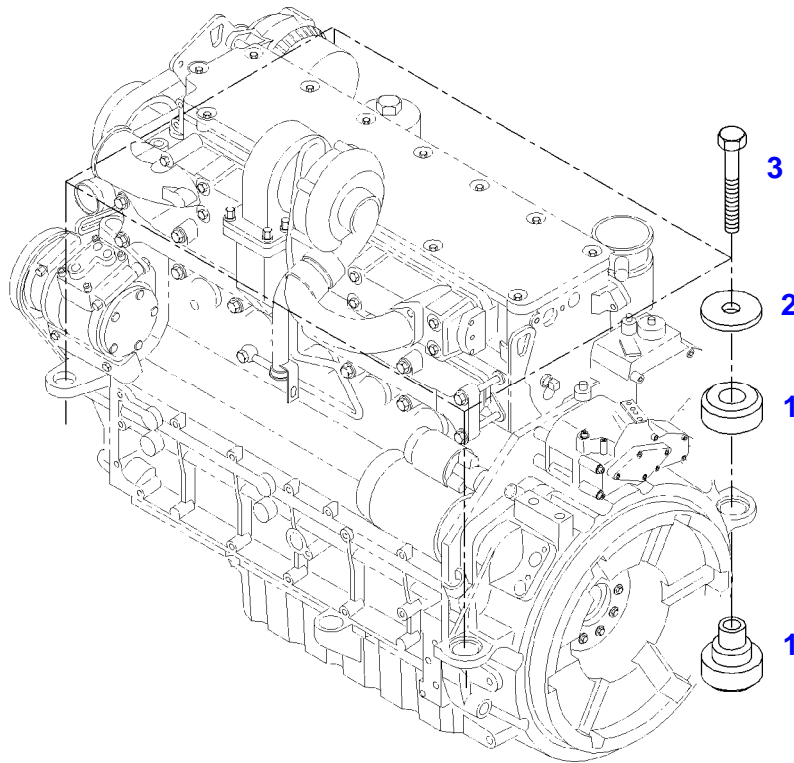


F061413



Item	Part Number	Qty	Description Comments	Technical Specification
1	72481055	1	ENGINE MOUNT LEFT	
3	72481061	1	ENGINE MOUNT RIGHT	
5	72374294	2	HEXAGONAL HEAD BOLT	DIN 931-M16X85 GWA-10.9
6	72418408	2	HEXAGONAL HEAD BOLT	DIN 933 M16X40 GWA-10.9
7	72452403	1	MARKING PLATE FLEXI ENGINE	
8	72313751	2	SLOTTED PIN	DIN 1476-3X5-AL

FENDT 824NA VARIO SCR (834/00101-99999)  
35107



035107



---

Fendt

FENDT 824NA VARIO SCR (834/00101-99999)

F834105

ENGINE BEARINGS

Page01-0012

---

Item	Part Number	Qty	Description Comments	Technical Specification
1	72483499	4	ENGINE MOUNT	
2	72318110	4	DISC	
3	72315563	4	HEXAGONAL HEAD BOLT	DIN 931 M12X80-8.8A3L

Thank you so much for reading.  
Please click the “Buy Now!”  
button below to download the  
complete manual.



After you pay.

You can download the most  
perfect and complete manual in  
the world immediately.

Our support email:

[ebooklibonline@outlook.com](mailto:ebooklibonline@outlook.com)