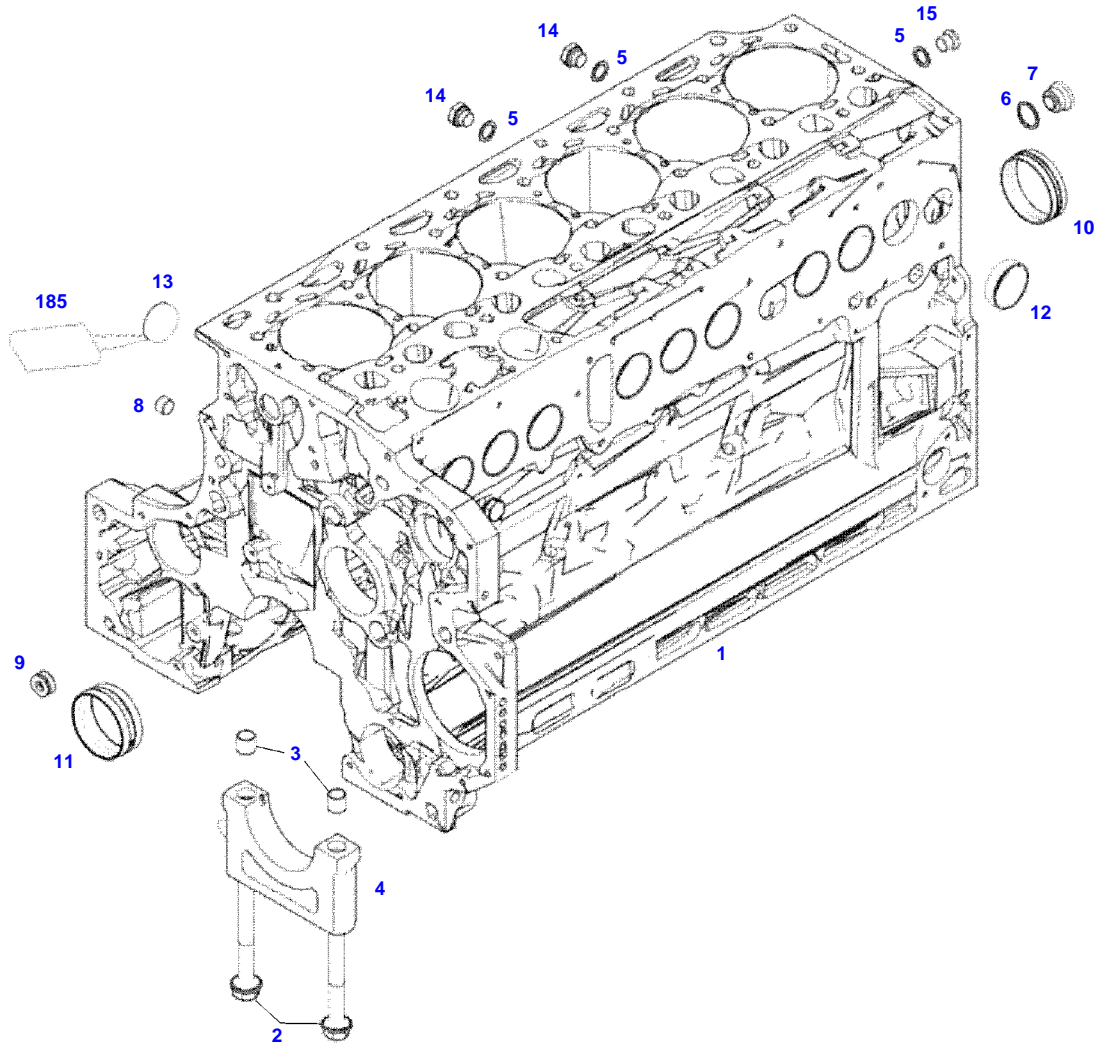


| <b>Page Number</b> | <b>Page Title</b>                   | <b>Page Reference</b> |
|--------------------|-------------------------------------|-----------------------|
| 01-000-TOC         | ENGINE, FUEL AND EXHAUST SYSTEM     | 01-000-TOC            |
| 02-000-TOC         | AXLES                               | 02-000-TOC            |
| 03-000-TOC         | STEERING SYSTEM                     | 03-000-TOC            |
| 04-000-TOC         | DRIVE TRAIN SYSTEM                  | 04-000-TOC            |
| 05-000-TOC         | COMPRESSED AIR SYSTEM               | 05-000-TOC            |
| 06-000-TOC         | HYDRAULIC SYSTEM                    | 06-000-TOC            |
| 07-000-TOC         | ELECTRICAL SYSTEM                   | 07-000-TOC            |
| 08-000-TOC         | CAB                                 | 08-000-TOC            |
| 09-000-TOC         | AIR CONDITIONING AND HEATING SYSTEM | 09-000-TOC            |
| 10-000-TOC         | CHASSIS                             | 10-000-TOC            |
| 11-000-TOC         | WHEELS                              | 11-000-TOC            |
| 12-000-TOC         | IMPLEMENT LIFT SYSTEM FRONT         | 12-000-TOC            |
| 13-000-TOC         | IMPLEMENT LIFT SYSTEM REAR          | 13-000-TOC            |
| 14-000-TOC         | FRONT/REAR LOADERS                  | 14-000-TOC            |
| 15-000-TOC         | PRECISION FARMING SYSTEMS           | 15-000-TOC            |
| 16-000-TOC         | ACCESSORIES                         | 16-000-TOC            |

FENDT 826 VARIO SCR (835/00101-99999)  
F061411

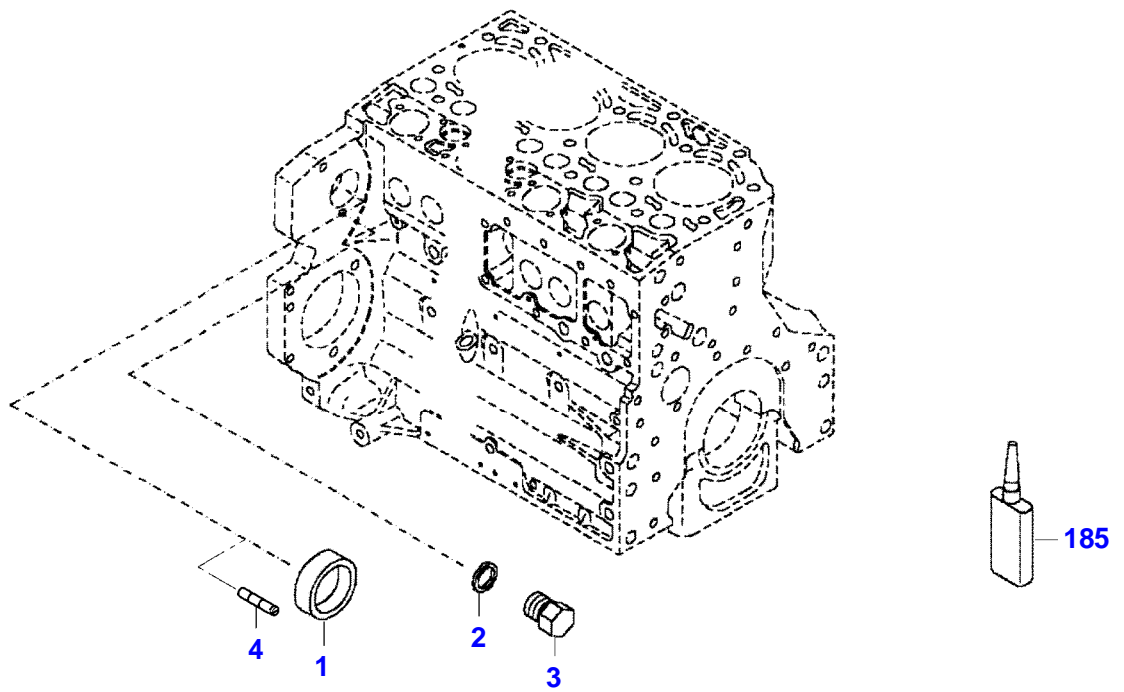


F061411



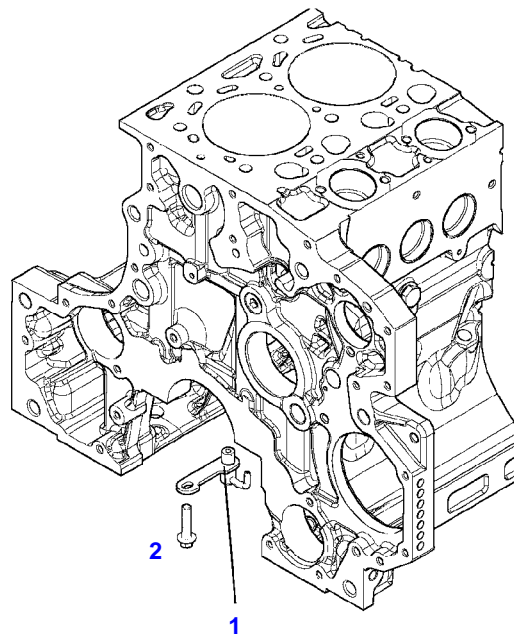
| Item | Part Number | Qty | Description<br>Comments  | Technical Specification     |
|------|-------------|-----|--|-----------------------------|
|      |             |     | <b>FROM - UP TO ENGINE S/N<br/>11718244 - 11778484</b>         |                             |
|      | 72484919    | 1   | ENGINE<br>--> 835/1261   | TCD6.1L6                    |
|      | 72605680    | 1   | ENGINE<br><-- 835/1262 --> 835/1798                            | TCD6.1L6                    |
|      | 72609549    | 1   | ENGINE<br><-- 835/1799 --> 835/2086                            | TCD6.1L6                    |
|      | 72612927    | 1   | ENGINE<br>FLEXI ENGINE<br><-- 835/2087                         | TCD6.1L6                    |
|      | 72608987    | 1   | REMANUFACTURED SHORT BLOCK ENGINE<br>--> 835/1261              |                             |
|      | 72608988    | 1   | REMANUFACTURED SHORT BLOCK ENGINE<br><-- 835/1262 --> 835/1798 |                             |
| 1    | 72616644    | 1   | CRANKCASE<br>INCLUDES ITEMS<br>2-15                            |                             |
| 2    | 72416467    | 14  | HEXAGONAL HEAD BOLT  |                             |
| 3    | 72344342    | 14  | ADAPTER BUSH   |                             |
| 4    |             |     | NOT AVAILABLE IN SINGLE PARTS                                  |                             |
| 5    | 72456134    | 3   | SEALING WASHER   | DIN 7603 D14X20-CU-VERZINNT |
| 6    | 72439874    | 1   | SEALING WASHER   |                             |
| 7    | 72455559    | 1   | PLUG SCREW   |                             |
| 8    | 72429347    | 2   | SCREW  | M14X1,5                     |
| 9    | 72431135    | 1   | LOCKING PLUG   |                             |
| 10   | ACP0152940  | 6   | FEMALE BEARING   |                             |
| 11   | ACP0152930  | 1   | FEMALE BEARING   |                             |
| 12   | 72325325    | 9   | CORE HOLE PLUG   |                             |
| 13   | 72325326    | 6   | CORE HOLE PLUG   |                             |
| 14   | 72315799    | 3   | PLUG   | DIN 7604 AM14X1,5-A3L       |
| 15   | 72315438    | 1   | PLUG SCREW   | DIN 908 M14X1,5-ST          |
| 185  | 72381391    | 1   | THREADLOCKER   | LOCTITE 243 10ML            |

FENDT 826 VARIO SCR (835/00101-99999)  
432327-M-1



432327-M-1

| Item                  | Part Number | Qty | Description<br>Comments          | Technical Specification |
|-----------------------|-------------|-----|----------------------------------|-------------------------|
| <b>BLANKING PARTS</b> |             |     |                                  |                         |
| 1                     | 72627515    | 1   | CORE HOLE PLUG                   |                         |
| 2                     | 72315088    | 2   | SEALING WASHER                   | DIN 7603 A10X13,5-CU    |
| 3                     | 72323677    | 2   | PLUG                             |                         |
| 4                     | 72631860    | 2   | THREADED PIN<br>UP TO ENGINE S/N |                         |
| 185                   | 72325403    | 1   | SAFE.LOCK AGENT                  |                         |



041197

---

Fendt

FENDT 826 VARIO SCR (835/00101-99999)

F835000

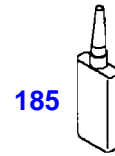
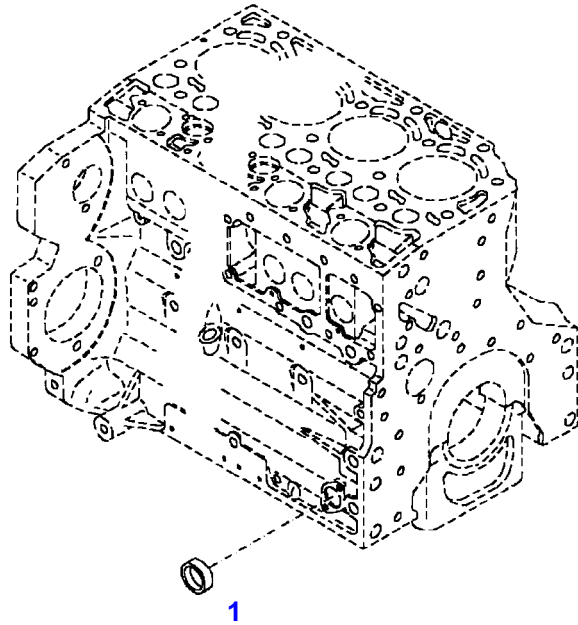
CRANKCASE

Page01-0007

---

| Item | Part Number | Qty | Description<br>Comments      | Technical Specification |
|------|-------------|-----|------------------------------|-------------------------|
|      |             |     | <b>PISTON COOL.NOZZLE</b>    |                         |
| 1    | 72479417    | 6   | PISTON COOLING JET           |                         |
| 2    | 72605244    | 6   | HEXAGONAL HEAD BOLT<br>M8X35 | M8X35                   |

FENDT 826 VARIO SCR (835/00101-99999)  
40194



040194



---

Fendt

FENDT 826 VARIO SCR (835/00101-99999)

F835000

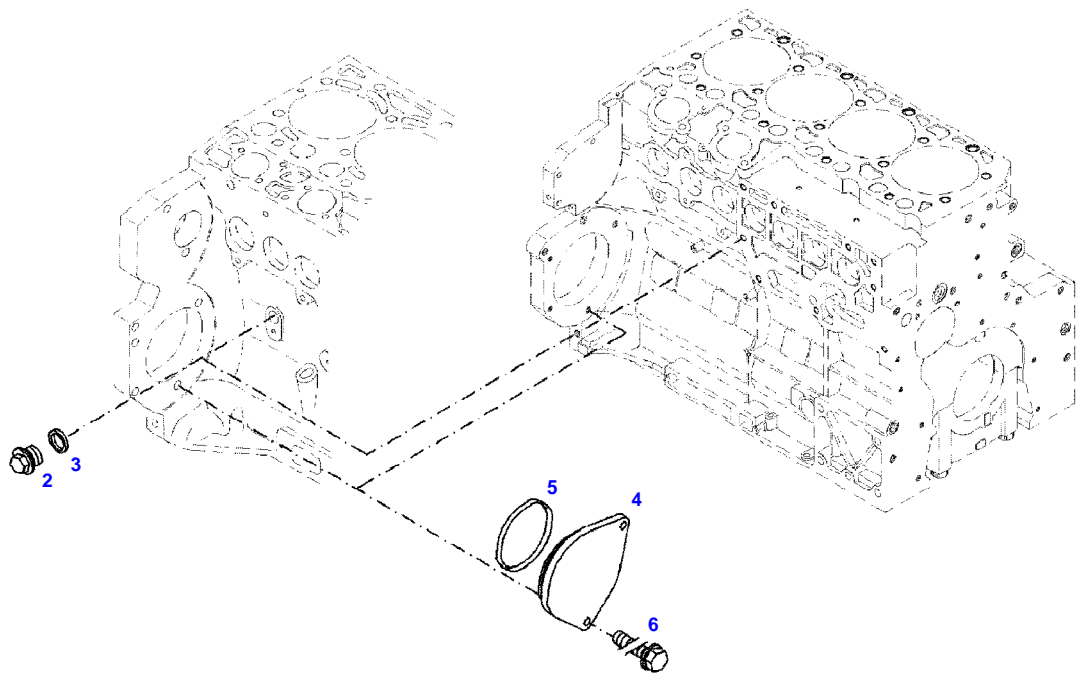
CRANKCASE

Page01-0008

---

| Item | Part Number | Qty | Description<br>Comments |
|------|-------------|-----|-------------------------|
|      |             |     | LOCKING PLUG            |
| 1    | 72325326    | 1   | CORE HOLE PLUG          |
| 185  | 72325403    | 1   | SAFE.LOCK AGENT         |

FENDT 826 VARIO SCR (835/00101-99999)  
F51577

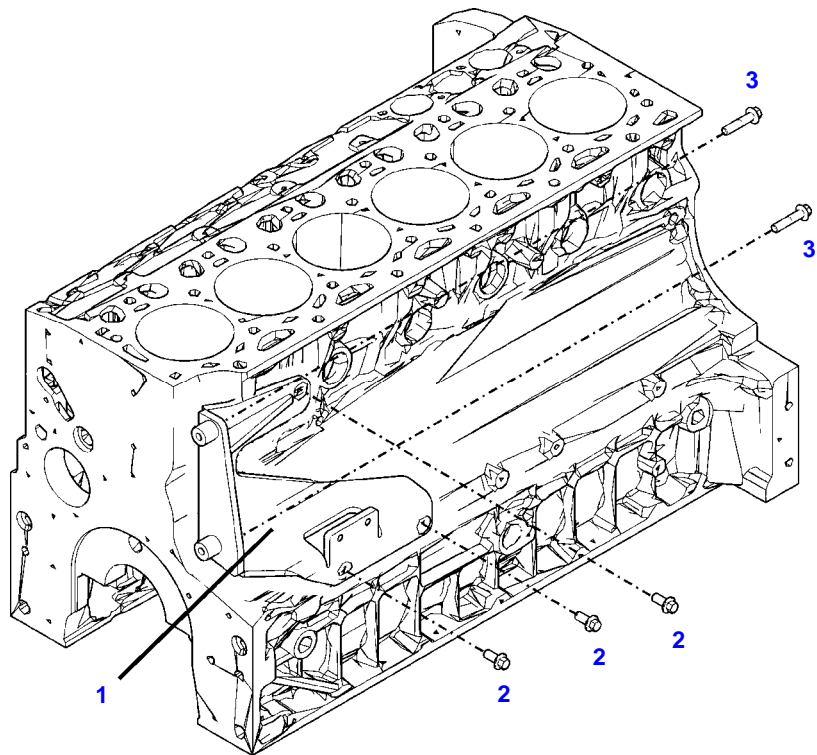


051577



| Item                  | Part Number | Qty | Description<br>Comments                          | Technical Specification |
|-----------------------|-------------|-----|--|-------------------------|
| <b>BLANKING PARTS</b> |             |     |  |                         |
| 2                     | 72315799    | 1   | PLUG<br>NOT NEEDED WITH AIR BRAKE                | DIN 7604 AM14X1,5-A3L   |
| 3                     | 72315094    | 1   | SEALING WASHER<br>NOT NEEDED WITH AIR BRAKE      | DIN 7603 A14X18-CU      |
| 4                     | 72431648    | 1   | COVER<br>NOT NEEDED WITH AIR BRAKE               |                         |
| 5                     | 72416472    | 1   | SEAL<br>96X4MM<br>NOT NEEDED WITH AIR BRAKE      |                         |
| 6                     | 72438057    | 2   | HEXAGONAL HEAD BOLT<br>NOT NEEDED WITH AIR BRAKE | M10X20                  |

FENDT 826 VARIO SCR (835/00101-99999)  
41241



041241

Fendt

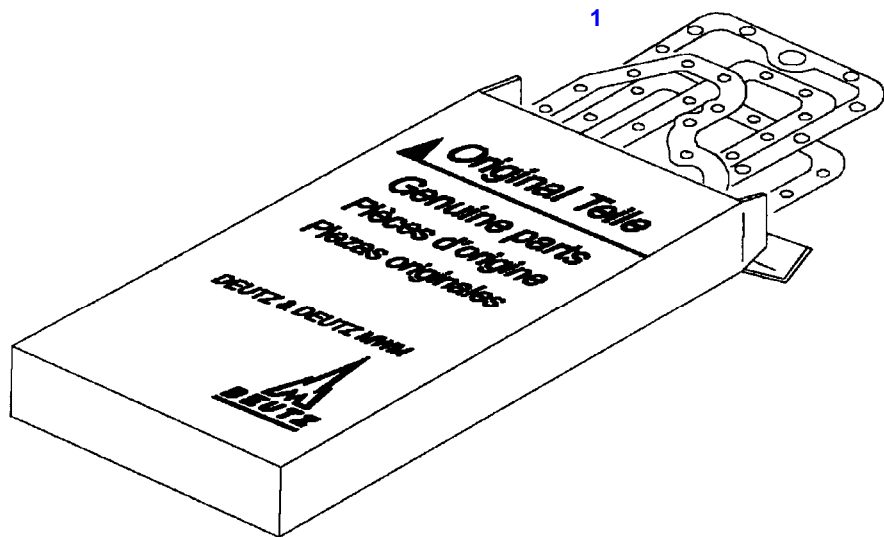
FENDT 826 VARIO SCR (835/00101-99999)

F835000

CRANKCASE

Page01-0010

| Item | Part Number | Qty | Description<br>Comments                  | Technical Specification |
|------|-------------|-----|--|-------------------------|
|      |             |     | SUPPORT<br>ENGINE NUMBER<br><-- 10919147 |                         |
| 1    | 72485479    | 1   | RETAINING SHEET METAL                    |                         |
| 2    | 72415315    | 3   | HEXAGONAL HEAD BOLT<br>M8X20             | M8X20                   |
| 3    | 72325457    | 2   | HEXAGONAL HEAD BOLT<br>M8X40             |                         |



030100

---

Fendt

FENDT 826 VARIO SCR (835/00101-99999)

F835000

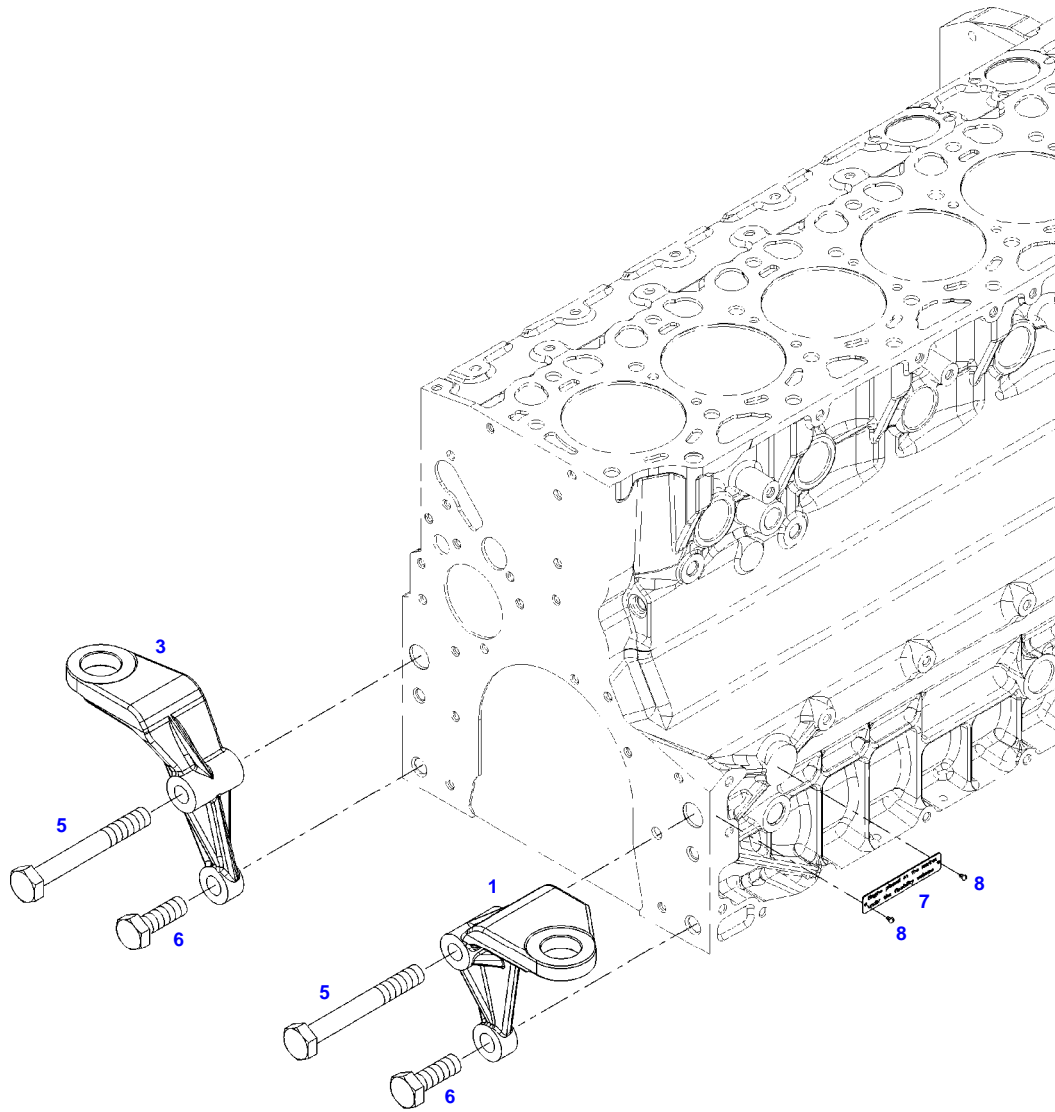
SET OF GASKETS - MOTOR

Page01-0011

---

| Item | Part Number | Qty | Description<br>Comments   |
|------|-------------|-----|---|
| 1    | 72609323    | 1   | SEAL KIT<br>WITHOUT CYLINDER HEAD GASKET<br>UP TO ENGINE NUMBER<br>11688392 |
|      | 72615421    | 1   | SEAL KIT<br>WITHOUT CYLINDER HEAD GASKET<br>FROM ENGINE S/N<br>11688393     |

FENDT 826 VARIO SCR (835/00101-99999)  
F061413



F061413

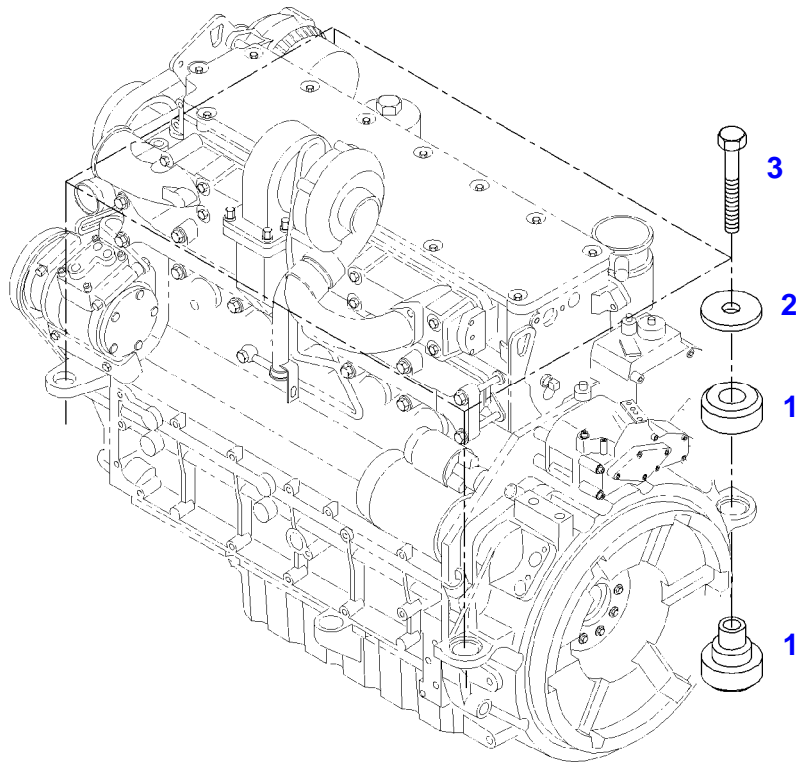




**ENGINE MOUNTINGS**

| <b>Item</b> | <b>Part Number</b> | <b>Qty</b> | <b>Description<br/>Comments</b> | <b>Technical Specification</b> |
|-------------|--------------------|------------|---------------------------------|--------------------------------|
| 1           | 72481055           | 1          | ENGINE MOUNT<br>LEFT            |                                |
| 3           | 72481061           | 1          | ENGINE MOUNT<br>RIGHT           |                                |
| 5           | 72374294           | 2          | HEXAGONAL HEAD BOLT             | DIN 931-M16X85 GWA-10.9        |
| 6           | 72418408           | 2          | HEXAGONAL HEAD BOLT             | DIN 933 M16X40 GWA-10.9        |
| 7           | 72452403           | 1          | MARKING PLATE<br>FLEXI ENGINE   |                                |
| 8           | 72313751           | 2          | SLOTTED PIN                     | DIN 1476-3X5-AL                |

FENDT 826 VARIO SCR (835/00101-99999)  
35107



035107

---

Fendt

FENDT 826 VARIO SCR (835/00101-99999)

F835000

ENGINE BEARINGS

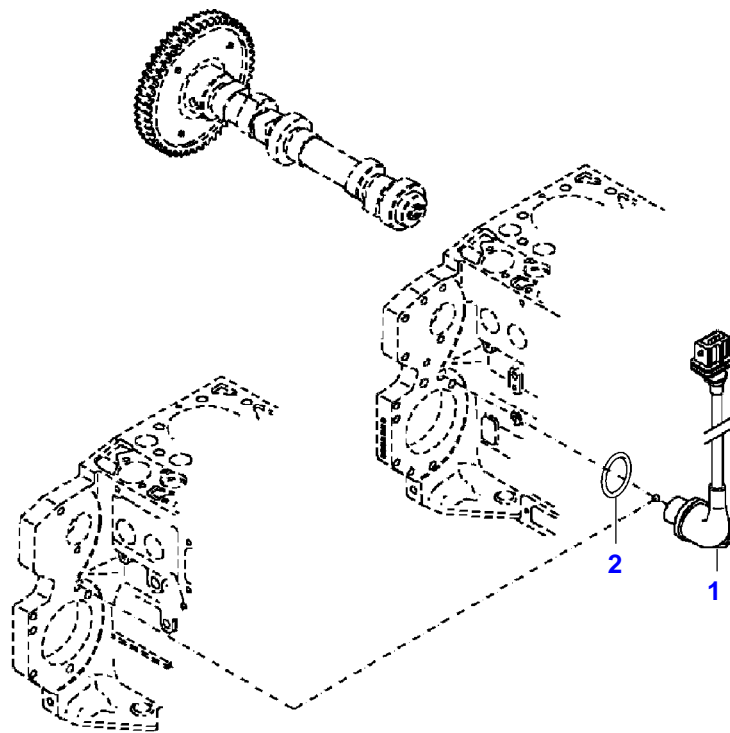
Page01-0013

---

| Item | Part Number | Qty | Description<br>Comments | Technical Specification |
|------|-------------|-----|-------------------------|-------------------------|
| 1    | 72483499    | 4   | ENGINE MOUNT            |                         |
| 2    | 72318110    | 4   | DISC                    |                         |
| 3    | 72315563    | 4   | HEXAGONAL HEAD BOLT     | DIN 931 M12X80-8.8A3L   |

FENDT 826 VARIO SCR (835/00101-99999)  
431755-M-1

---



431755-M-1

Fendt

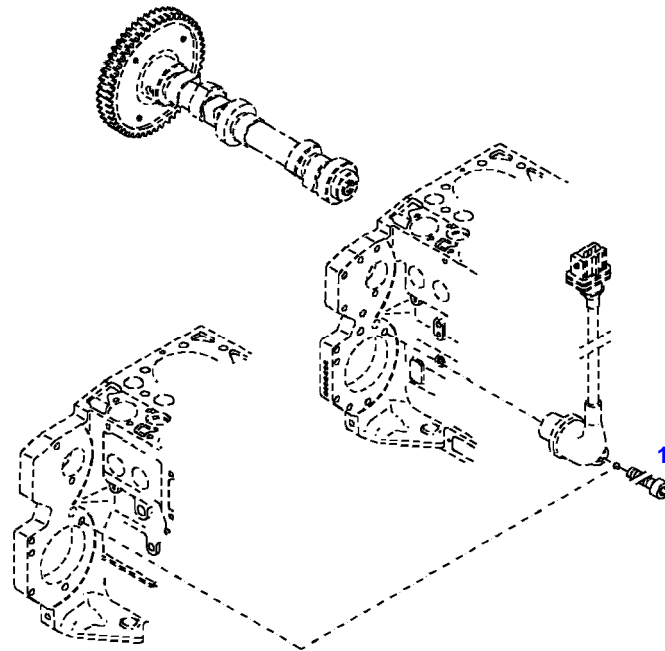
FENDT 826 VARIO SCR (835/00101-99999)

F835000

TRANSMITTER

Page01-0014

| Item | Part Number | Qty | Description<br>Comments |
|------|-------------|-----|-------------------------|
|      |             |     | ENGINE SPEED<br>EDC     |
| 1    | 72626758    | 1   | TRANSMITTER             |
| 2    | 72628348    | 1   | O-RING                  |



035317

---

Fendt

FENDT 826 VARIO SCR (835/00101-99999)

F835000

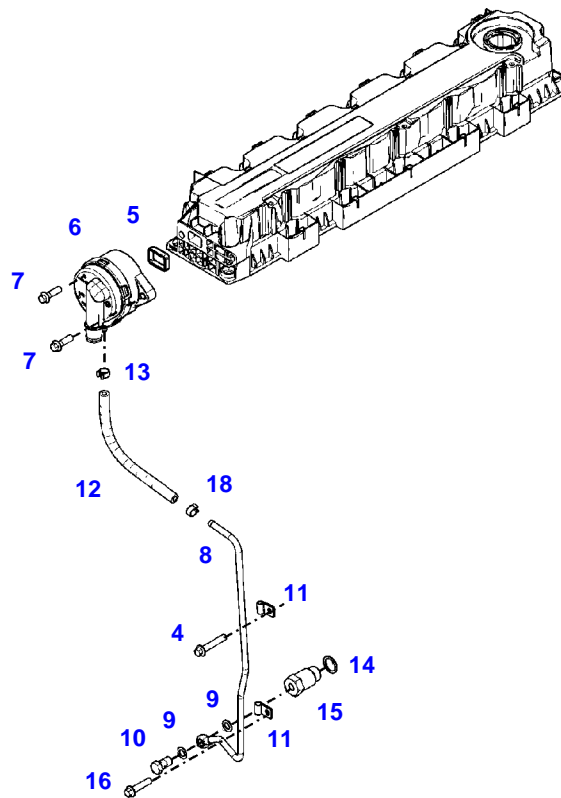
TRANSMITTER

Page01-0015

---

| Item | Part Number | Qty | Description<br>Comments    | Technical Specification |
|------|-------------|-----|----------------------------|-------------------------|
|      |             |     | ENGINE SPEED<br>FASTENINGS |                         |
| 1    | 72315460    | 1   | SOCKET HEAD BOLT           | DIN 912 M6X16-8.8       |

FENDT 826 VARIO SCR (835/00101-99999)  
41242

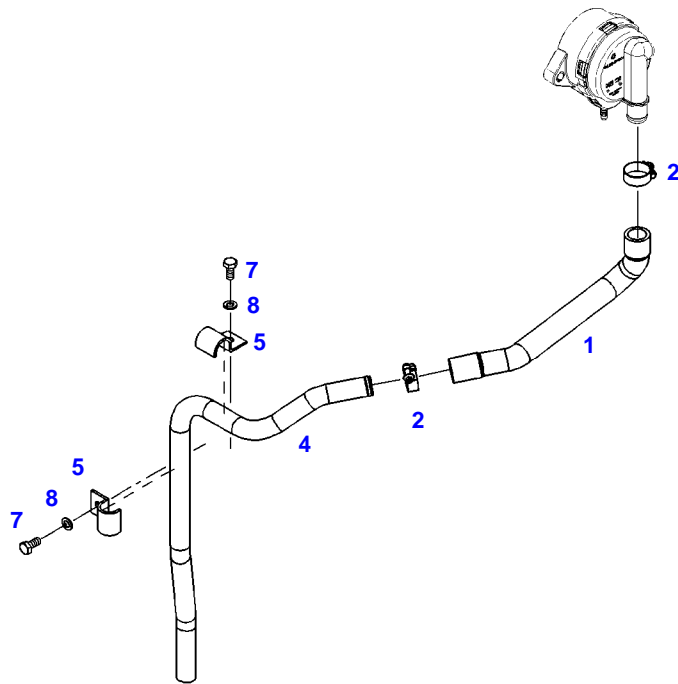


041242



| Item | Part Number | Qty | Description<br>Comments      | Technical Specification |
|------|-------------|-----|------------------------------|-------------------------|
| 4    | 72325453    | 1   | HEXAGONAL HEAD BOLT<br>M8X50 |                         |
| 5    | 72455795    | 1   | SEAL                         |                         |
| 6    | 72437250    | 1   | BREATHER<br>><5              |                         |
| 7    | 72325293    | 2   | HEXAGONAL HEAD BOLT<br>M8X30 | M8X30                   |
| 8    | 72495347    | 1   | OIL RETURN LINE<br>><9-13    |                         |
| 9    | 72439873    | 2   | SEALING WASHER               |                         |
| 10   | 72323517    | 1   | BANJO BOLT                   |                         |
| 11   | 72425772    | 2   | PIPE CLAMP                   |                         |
| 12   | 72495349    | 1   | RUBBER HOSE                  |                         |
| 13   | 72479013    | 1   | HOSE CLIP                    |                         |
| 14   | 72439874    | 1   | SEALING WASHER               |                         |
| 15   | 72425770    | 1   | LOCK VALVE                   |                         |
| 16   | 72325457    | 1   | HEXAGONAL HEAD BOLT<br>M8X40 |                         |
| 18   | 72479013    | 1   | HOSE CLIP                    |                         |

FENDT 826 VARIO SCR (835/00101-99999)  
37622

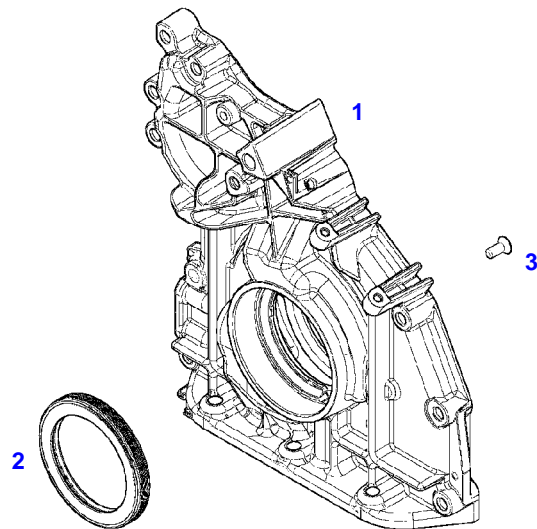


037622

| Item                 | Part Number | Qty | Description<br>Comments   | Technical Specification |
|----------------------|-------------|-----|---|-------------------------|
| <b>BREATHER TUBE</b> |             |     |   |                         |
| 1                    | 72497866    | 1   | HOSE ARCH<br><-- 835/0101 --> 835/0200 <><br><-- 835/1001 --> 835/1027 <><br><> |                         |
|                      | 72487059    | 1   | PIPE  |                         |
| 2                    | 72311167    | 2   | HOSE CLIP   |                         |
| 4                    | 72487059    | 1   | PIPE<br><-- 835/0101 --> 835/0200 <><br><-- 835/1001 --> 835/1027 <><br><>      |                         |
|                      | 72497866    | 1   | HOSE ARCH   |                         |
| 5                    | 72605304    | 2   | CLIP  |                         |
| 7                    | 72315646    | 2   | HEXAGONAL HEAD BOLT   | DIN 933 M8X18-8.8A3L    |
| 8                    | 72315053    | 2   | SPLIT WASHER  | FWN 65208-8-A3L         |

FENDT 826 VARIO SCR (835/00101-99999)  
41199

---



041199

---

Fendt

FENDT 826 VARIO SCR (835/00101-99999)

F835000

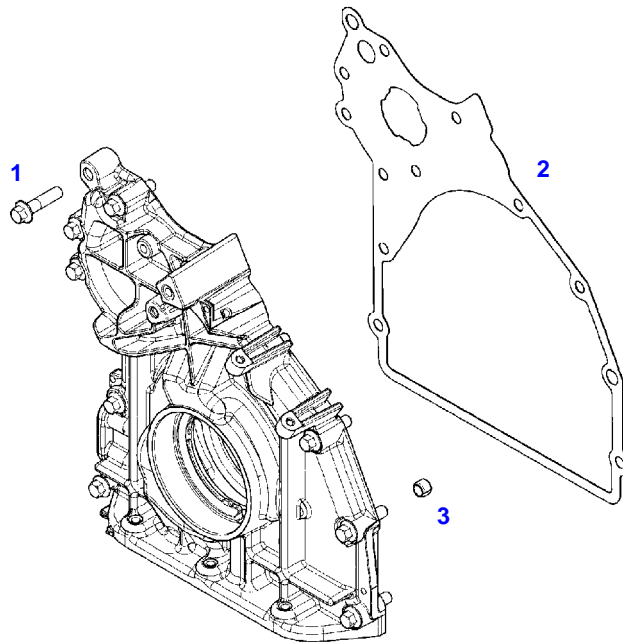
FRONT COVER

Page01-0018

---

| Item | Part Number | Qty | Description<br>Comments                             |
|------|-------------|-----|---|
| 1    | 72486503    | 1   | CRANKCASE END COVER<br>INTEGRATED OIL PUMP<br>><2,3 |
| 2    | 72479487    | 1   | SHAFT SEAL  |
| 3    | 72416228    | 8   | COUNTERSUNK CAPSCREW<br>M6X16                       |

FENDT 826 VARIO SCR (835/00101-99999)  
41243



041243

---

Fendt

FENDT 826 VARIO SCR (835/00101-99999)

F835000

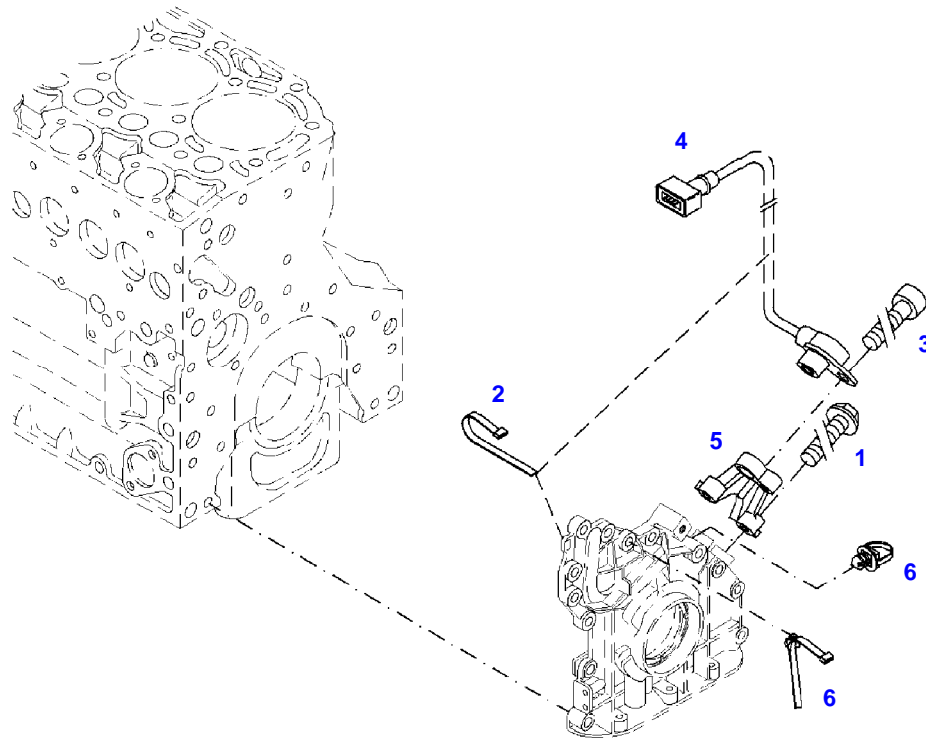
FRONT COVER

Page01-0019

---

| Item              | Part Number | Qty | Description<br>Comments      | Technical Specification |
|-------------------|-------------|-----|------------------------------|-------------------------|
| <b>FASTENINGS</b> |             |     |                              |                         |
| 1                 | 72605244    | 12  | HEXAGONAL HEAD BOLT<br>M8X35 | M8X35                   |
| 2                 | 72486511    | 1   | SEAL                         |                         |
| 3                 | 72325352    | 1   | TENSIONER BUSHING            |                         |

FENDT 826 VARIO SCR (835/00101-99999)  
41001



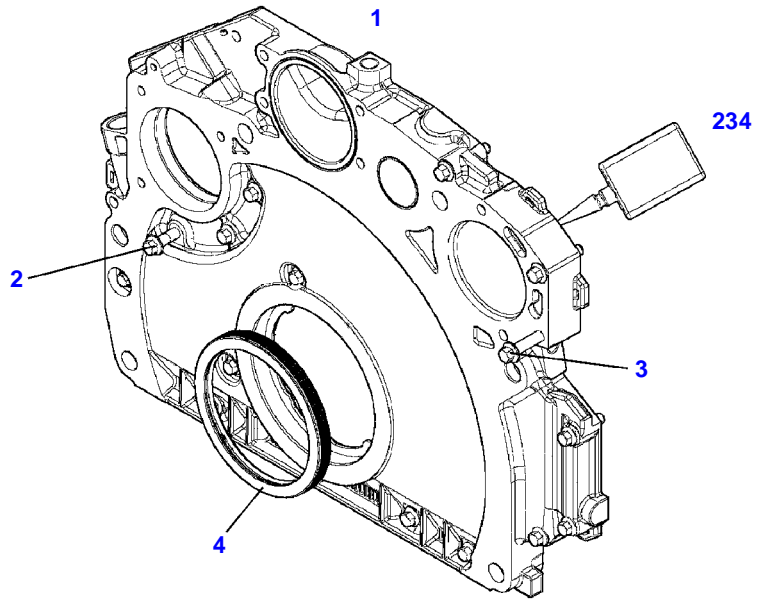
041001



| Item | Part Number | Qty | Description<br>Comments            | Technical Specification |
|------|-------------|-----|------------------------------------|-------------------------|
|      |             |     | <b>ENGINE SPEED<br/>EDC</b>        |                         |
| 1    | 72436834    | 2   | HEXAGONAL HEAD BOLT<br>M6X30       |                         |
| 2    | 72416001    | 3   | RETAINING STRAP                    |                         |
| 3    | 72315460    | 1   | SOCKET HEAD BOLT                   | DIN 912 M6X16-8.8       |
| 4    | 72436872    | 1   | TRANSMITTER<br>ENGINE SPEED<br>EDC |                         |
| 5    | 72494073    | 1   | RETAINER                           |                         |
| 6    | 72455561    | 2   | RETAINING STRAP                    |                         |

FENDT 826 VARIO SCR (835/00101-99999)  
41231

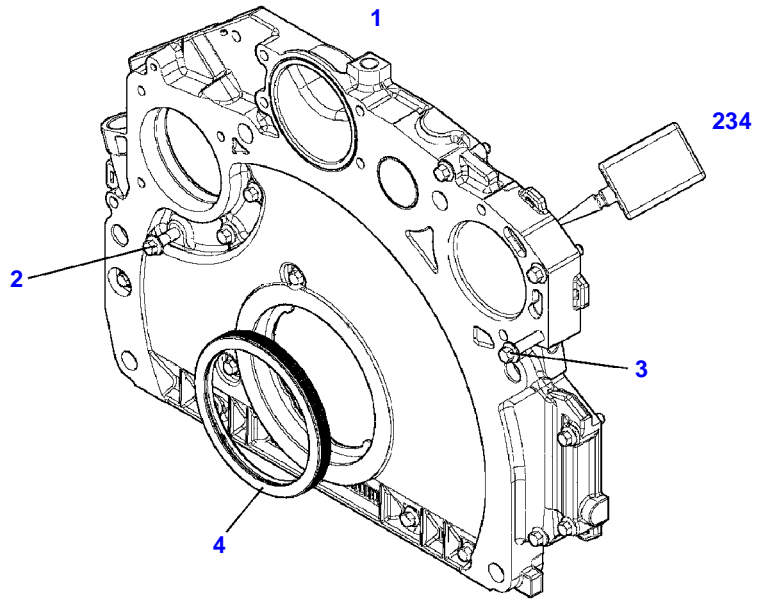
---



041231

| Item | Part Number | Qty | Description<br>Comments              | Technical Specification |
|------|-------------|-----|--------------------------------------|-------------------------|
|      |             |     | <b>ENGINE NUMBER</b><br>--> 11425711 |                         |
| 1    | 72615423    | 1   | WHEEL BOX                            |                         |
| 2    | 72605244    | 12  | HEXAGONAL HEAD BOLT<br>M8X35         | M8X35                   |
| 3    | 72325388    | 3   | HEXAGONAL HEAD BOLT<br>M8X45         | M8X45                   |
| 4    | 72479495    | 1   | SHAFT SEAL                           |                         |
| 234  | 72325408    | 1   | SEALING COMPOUND                     |                         |

FENDT 826 VARIO SCR (835/00101-99999)  
41231

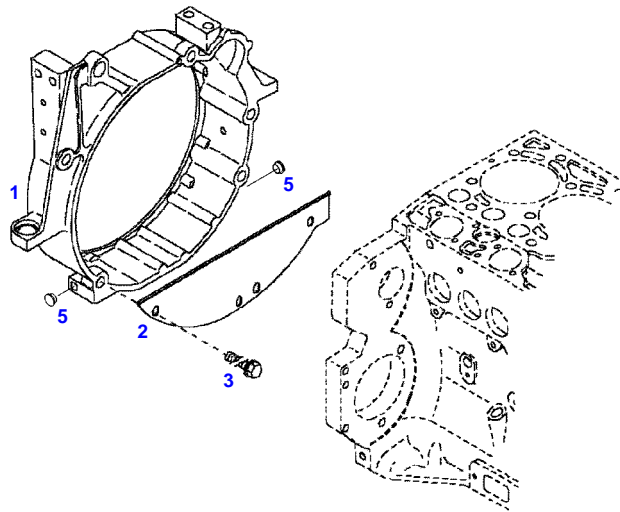


041231

| Item | Part Number | Qty | Description<br>Comments              | Technical Specification |
|------|-------------|-----|--------------------------------------|-------------------------|
|      |             |     | <b>ENGINE NUMBER</b><br><-- 11425712 |                         |
| 1    | 72615423    | 1   | WHEEL BOX                            |                         |
| 2    | 72605244    | 12  | HEXAGONAL HEAD BOLT<br>M8X35         | M8X35                   |
| 3    | 72325388    | 3   | HEXAGONAL HEAD BOLT<br>M8X45         | M8X45                   |
| 4    | 72479495    | 1   | SHAFT SEAL                           |                         |
| 234  | 72626246    | 1   | SEALING COMPOUND                     |                         |

FENDT 826 VARIO SCR (835/00101-99999)  
F060498

---



F060498



Thank you so much for reading.  
Please click the “Buy Now!”  
button below to download the  
complete manual.



After you pay.

You can download the most  
perfect and complete manual in  
the world immediately.

Our support email:

[ebooklibonline@outlook.com](mailto:ebooklibonline@outlook.com)