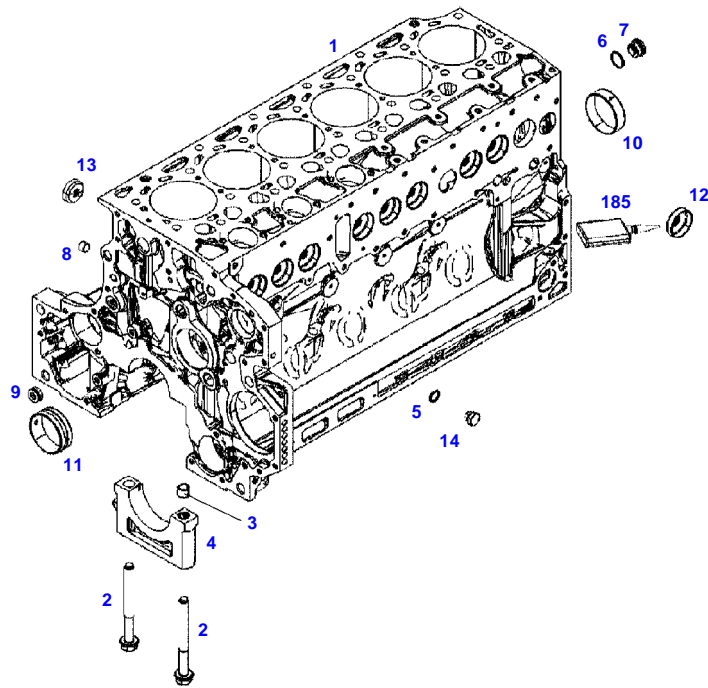


Page Number	Page Title	Page Reference
01-000-TOC	ENGINE, FUEL AND EXHAUST SYSTEM	01-000-TOC
02-000-TOC	AXLES	02-000-TOC
03-000-TOC	STEERING SYSTEM	03-000-TOC
04-000-TOC	DRIVE TRAIN SYSTEM	04-000-TOC
05-000-TOC	COMPRESSED AIR SYSTEM	05-000-TOC
06-000-TOC	HYDRAULIC SYSTEM	06-000-TOC
07-000-TOC	ELECTRICAL SYSTEM	07-000-TOC
08-000-TOC	CAB	08-000-TOC
09-000-TOC	AIR CONDITIONING AND HEATING SYSTEM	09-000-TOC
10-000-TOC	CHASSIS	10-000-TOC
11-000-TOC	WHEELS	11-000-TOC
12-000-TOC	IMPLEMENT LIFT SYSTEM FRONT	12-000-TOC
13-000-TOC	IMPLEMENT LIFT SYSTEM REAR	13-000-TOC
14-000-TOC	FRONT/REAR LOADERS	14-000-TOC
15-000-TOC	PRECISION FARMING SYSTEMS	15-000-TOC
16-000-TOC	ACCESSORIES	16-000-TOC

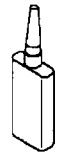
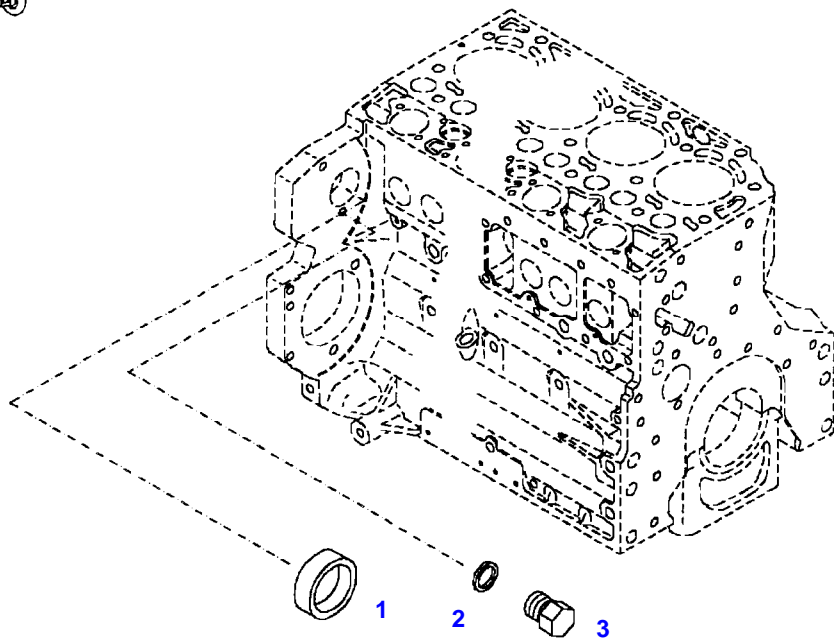
FENDT 822 S4 (EEA - NON SCR) 839/01001-99999
CRANKCASE



050701

Item	Part Number	Qty	Description Comments	Technical Specification
	E839201010100	1	DIESEL ENGINE	F839
1	F842201210010	1	CRANKCASE >< 2-14	
2	F716201210030	14	HEXAGONAL HEAD BOLT	
3	F395200210040	14	ADAPTER BUSH	
4			NOT AVAILABLE IN SINGLE PARTS	
5	X540204200000	2	SEALING WASHER	DIN 7603 D14X20-CU-VERZINNT
6	F731200210190	1	SEALING WASHER	
7	F731200210150	1	SCREW	
8	F717200210040	2	SCREW	
9	F001200210030	1	LOCKING PLUG	
10	F842201210020	6	BEARING BUSHING	
11	F836200210380	1	BEARING BUSHING	
12	F119200210070	9	CORE HOLE PLUG	
13	F119200210080	6	CORE HOLE PLUG	
14	X494203800000	2	PLUG	DIN 7604 AM14X1,5-A3L
185	X903050084000	1	LOCTITE	243 10ML

FENDT 822 S4 (EEA - NON SCR) 839/01001-99999
CRANKCASE



185

040457

Fendt

FENDT 822 S4 (EEA - NON SCR) 839/01001-99999

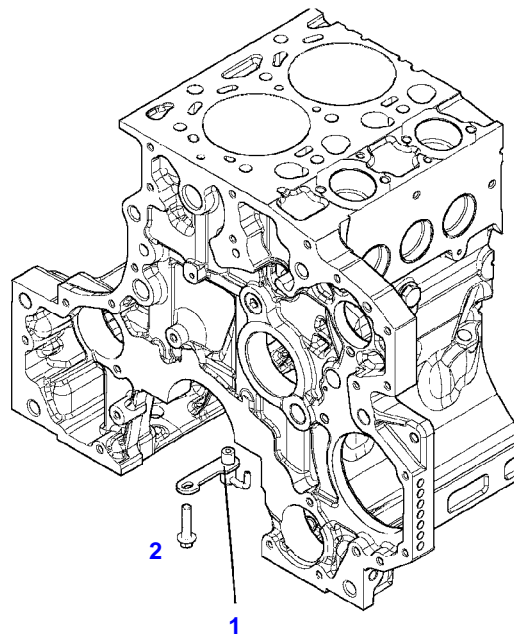
F839003

CRANKCASE

Page01-0002

Item	Part Number	Qty	Description Comments	Technical Specification
BLANKING PARTS				
1	F100001165839	1	CORE HOLE PLUG	
2	X540002478000	2	SEALING WASHER	DIN 7603 A10X13,5-CU
3	F100001215567	2	PLUG	
185	F119200210850	1	SAFE.LOCK AGENT	

FENDT 822 S4 (EEA - NON SCR) 839/01001-99999
CRANKCASE



041197

Fendt

FENDT 822 S4 (EEA - NON SCR) 839/01001-99999

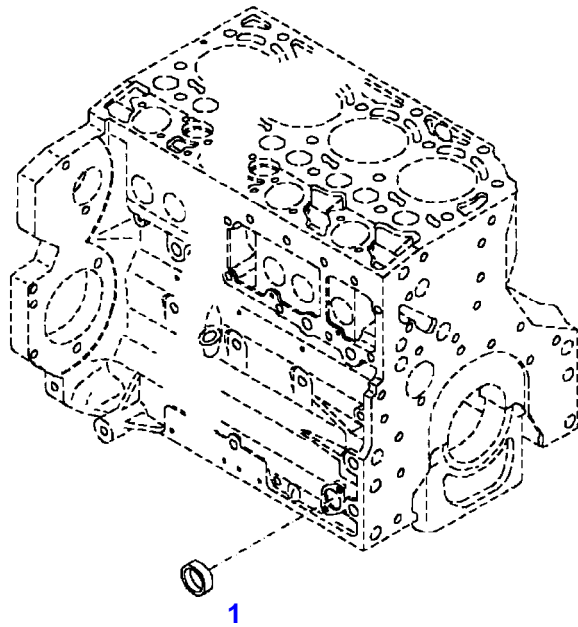
F839003

CRANKCASE

Page01-0003

Item	Part Number	Qty	Description Comments	Technical Specification
			PISTON COOL.NOZZLE	
1	F842201210030	6	PISTON COOLING JET	
2	F416200210030	6	HEXAGONAL HEAD BOLT	M8X35

FENDT 822 S4 (EEA - NON SCR) 839/01001-99999
CRANKCASE



040194

1

185



Fendt

FENDT 822 S4 (EEA - NON SCR) 839/01001-99999

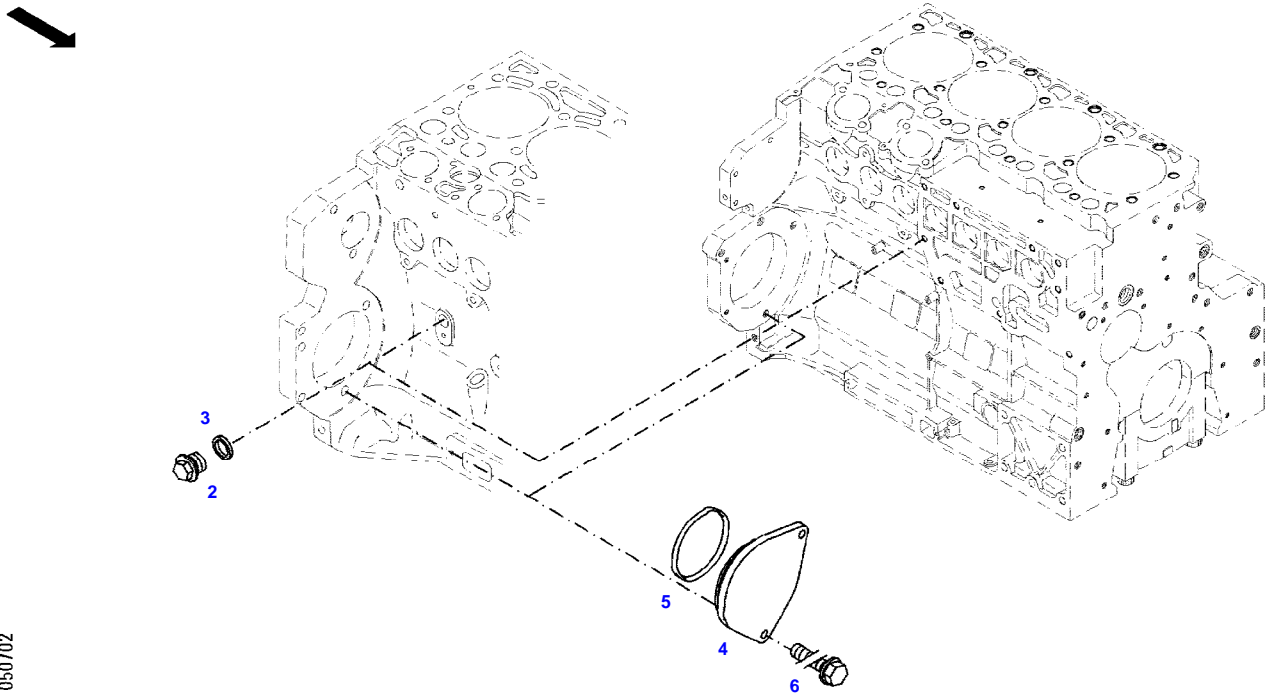
F839003

CRANKCASE

Page01-0004

Item	Part Number	Qty	Description Comments
			LOCKING PLUG
1	F119200210080	1	CORE HOLE PLUG
185	F119200210850	1	SAFE.LOCK AGENT

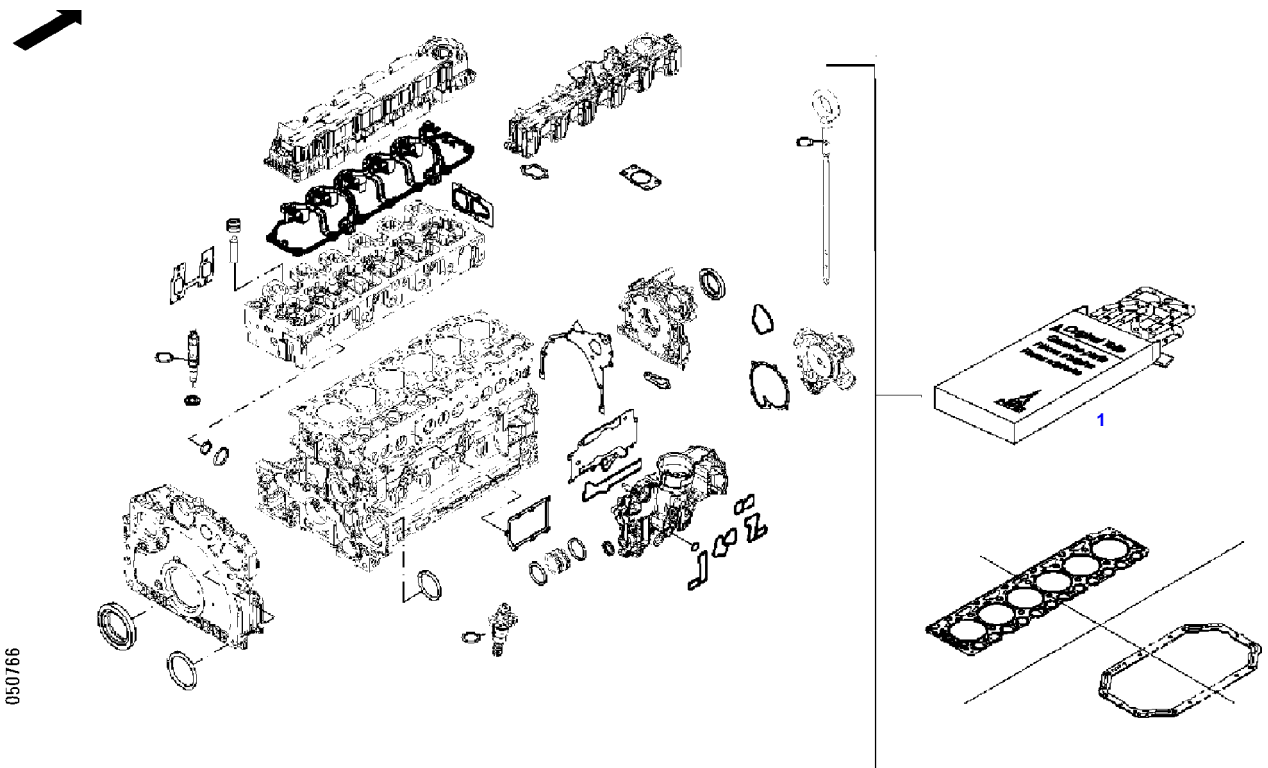
FENDT 822 S4 (EEA - NON SCR) 839/01001-99999
CRANKCASE



050702

Item	Part Number	Qty	Description Comments	Technical Specification
BLANKING PARTS				
2	X494203800000	1	PLUG NOT NEEDED WITH AIR BRAKE	DIN 7604 AM14X1,5-A3L
3	X540004078000	1	SEALING WASHER NOT NEEDED WITH AIR BRAKE	DIN 7603 A14X18-CU
4	F412201210020	1	COVER NOT NEEDED WITH AIR BRAKE	
5	F716201210090	1	SEAL 96X4MM NOT NEEDED WITH AIR BRAKE	
6	F339900040220	1	HEXAGONAL HEAD BOLT NOT NEEDED WITH AIR BRAKE	

FENDT 822 S4 (EEA - NON SCR) 839/01001-99999
SET OF GASKETS - MOTOR



Fendt

FENDT 822 S4 (EEA - NON SCR) 839/01001-99999

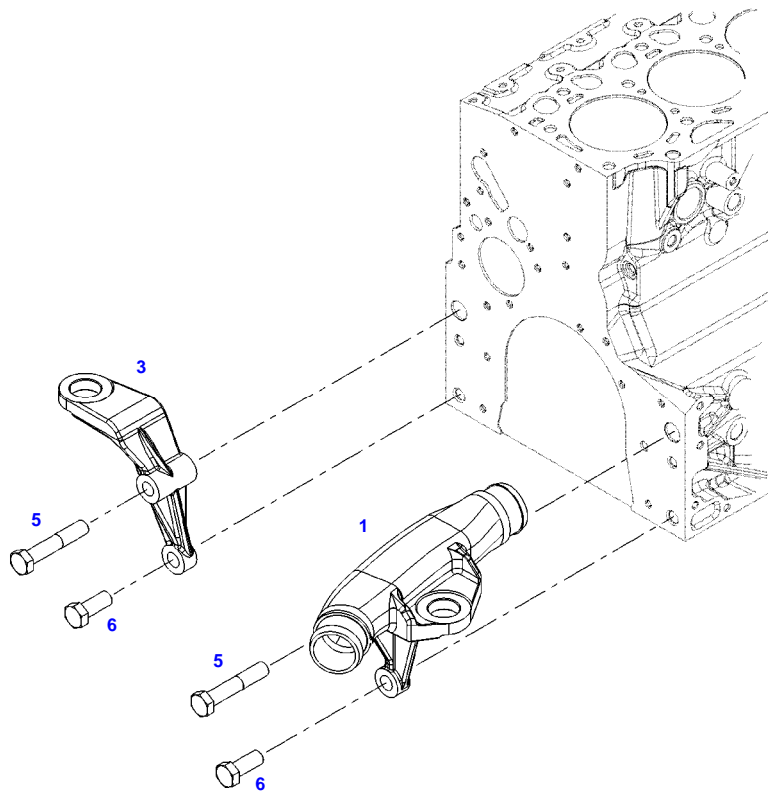
F839003

SET OF GASKETS - MOTOR

Page01-0006

Item	Part Number	Qty	Description Comments
1	F842201210040	1	SEAL KIT WITHOUT CYLINDER HEAD GASKET

FENDT 822 S4 (EEA - NON SCR) 839/01001-99999
ENGINE MOUNTINGS



050822

Fendt

FENDT 822 S4 (EEA - NON SCR) 839/01001-99999

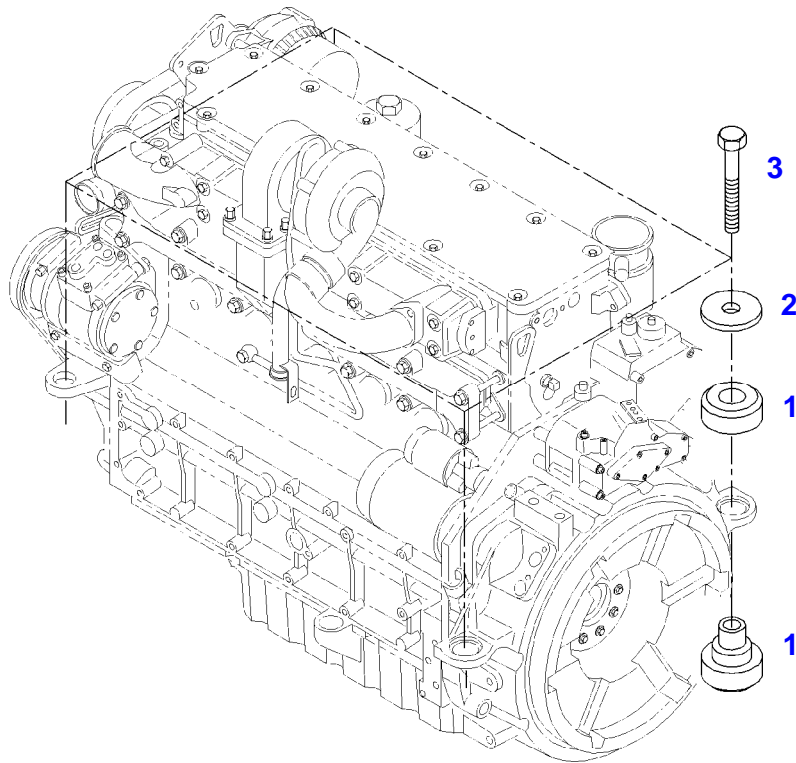
F839003

ENGINE MOUNTINGS

Page01-0007

Item	Part Number	Qty	Description Comments	Technical Specification
1	842201010010	1	HOLDER LEFT	L
3	835200010020	1	ENGINE MOUNT RIGHT	
5	X486546406000	2	HEXAGONAL HEAD BOLT	DIN 931-M16X85 GWA-10.9
6	X487545200000	2	HEXAGONAL HEAD BOLT	DIN 933 M16X40 GWA-10.9

FENDT 822 S4 (EEA - NON SCR) 839/01001-99999
ENGINE BEARINGS



035107

Fendt

FENDT 822 S4 (EEA - NON SCR) 839/01001-99999

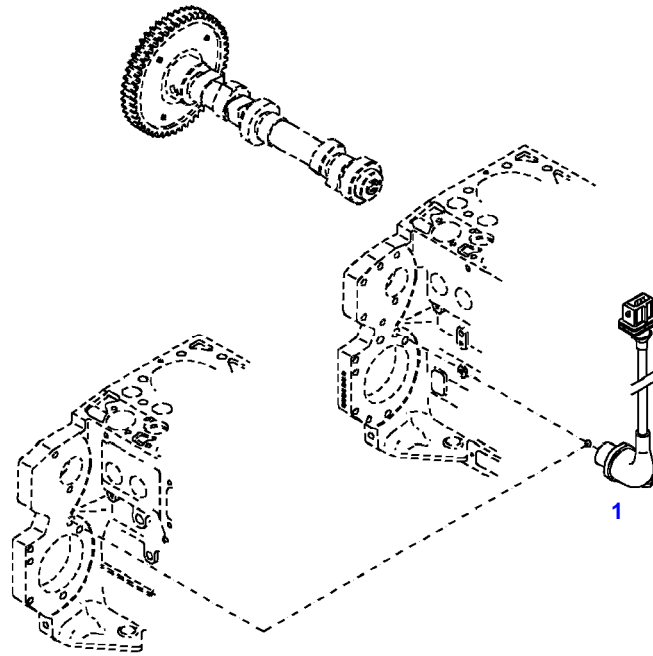
F839003

ENGINE BEARINGS

Page01-0008

Item	Part Number	Qty	Description Comments	Technical Specification
1	G842200010110	4	ENGINE SUSPENSION	
2	716200010010	4	DISC	
3	X486536641000	4	HEXAGONAL HEAD BOLT	DIN 931 M12X80-8.8A3L

FENDT 822 S4 (EEA - NON SCR) 839/01001-99999
TRANSMITTER



035320

Fendt

FENDT 822 S4 (EEA - NON SCR) 839/01001-99999

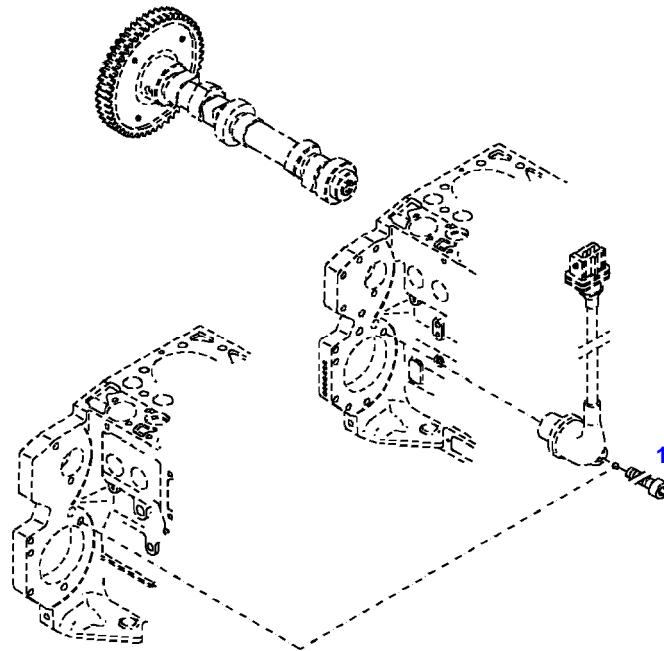
F839003

TRANSMITTER

Page01-0009

Item	Part Number	Qty	Description Comments
			ENGINE SPEED EDC
1	F339202210090	1	TRANSMITTER ENGINE SPEED EDC

FENDT 822 S4 (EEA - NON SCR) 839/01001-99999
TRANSMITTER



035317

Fendt

FENDT 822 S4 (EEA - NON SCR) 839/01001-99999

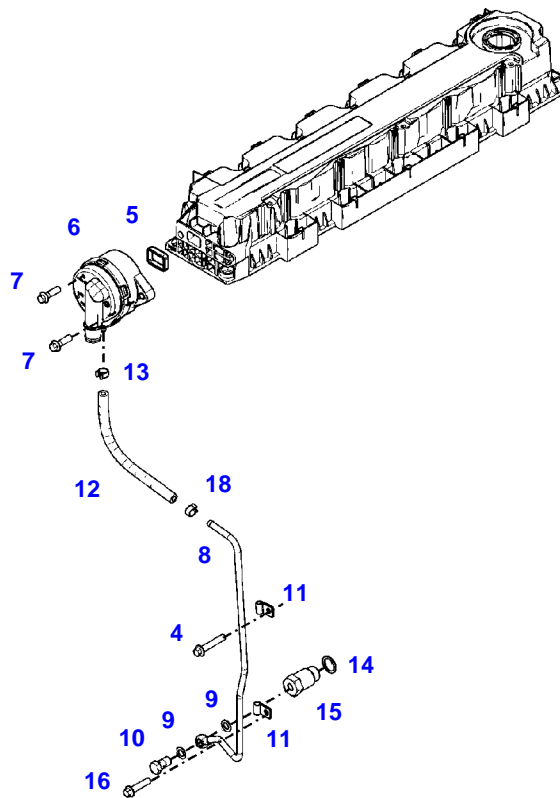
F839003

TRANSMITTER

Page01-0010

Item	Part Number	Qty	Description Comments	Technical Specification
			ENGINE SPEED FASTENINGS	
1	X485004405000	1	SOCKET HEAD BOLT	DIN 912 M6X16-8.8

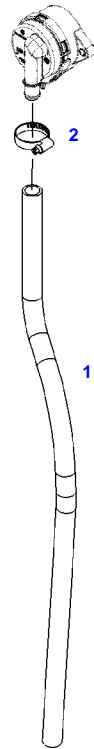
FENDT 822 S4 (EEA - NON SCR) 839/01001-99999
CRANKCASE BREATHER



041242

Item	Part Number	Qty	Description Comments
4	F119200510110	1	HEXAGONAL HEAD BOLT M8X50
5	725200010251	1	SEAL
6	F339202210280	1	CRANKSHAFT HOUSING VENTILATION ><5
7	F119200090080	2	HEXAGONAL HEAD BOLT M8X30
8	F836200210400	1	OIL RETURN LINE ><9-13
9	F731200210180	2	SEALING WASHER
10	F100001119241	1	BANJO BOLT
11	F716201210630	2	PIPE CLAMP
12	F836200210410	1	RUBBER HOSE
13	F731200210200	1	HOSE CLIP
14	F731200210190	1	SEALING WASHER
15	F716201210610	1	LOCK VALVE
16	F119200510150	1	HEXAGONAL HEAD BOLT M8X40
18	F731200210200	1	HOSE CLIP

FENDT 822 S4 (EEA - NON SCR) 839/01001-99999
CRANKCASE BREATHER



050819

Fendt

FENDT 822 S4 (EEA - NON SCR) 839/01001-99999

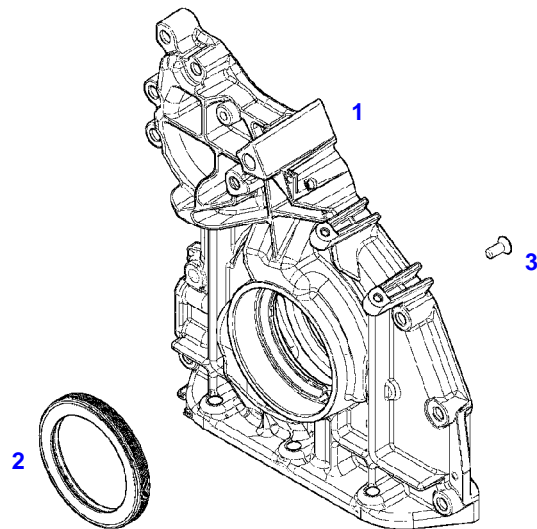
F839003

CRANKCASE BREATHER

Page01-0012

Item	Part Number	Qty	Description Comments
			BREATHER TUBE
1	842201010100	1	HOSE SUPERSESSION
	339202010010	1	HOSE SERIES EXECUTION NO LONGER AVAILABLE
2	X458651300000	1	HOSE CLIP

FENDT 822 S4 (EEA - NON SCR) 839/01001-99999
FRONT COVER



041199

Fendt

FENDT 822 S4 (EEA - NON SCR) 839/01001-99999

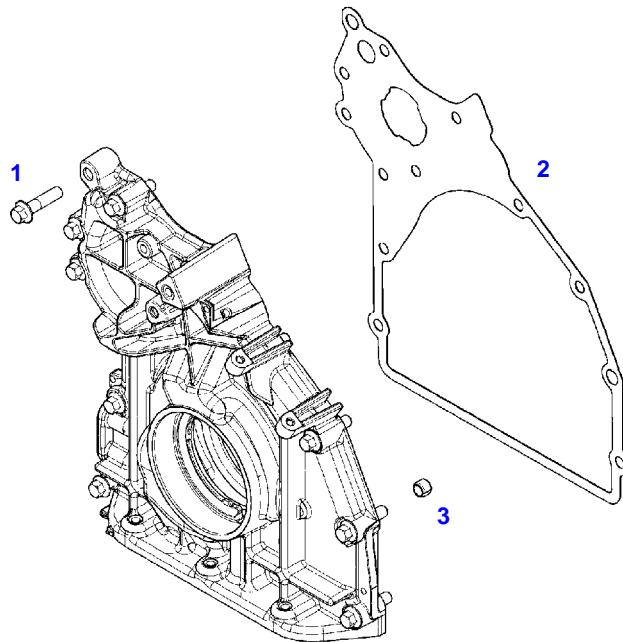
F839003

FRONT COVER

Page01-0013

Item	Part Number	Qty	Description Comments
			INTEGRATED OIL PUMP
1	F836200210280	1	CRANKCASE END COVER INTEGRATED OIL PUMP ><2,3
2	F836200210080	1	SHAFT SEAL
3	F411201210080	8	COUNTERSUNK CAPSCREW M6X16

FENDT 822 S4 (EEA - NON SCR) 839/01001-99999
FRONT COVER



041243

Fendt

FENDT 822 S4 (EEA - NON SCR) 839/01001-99999

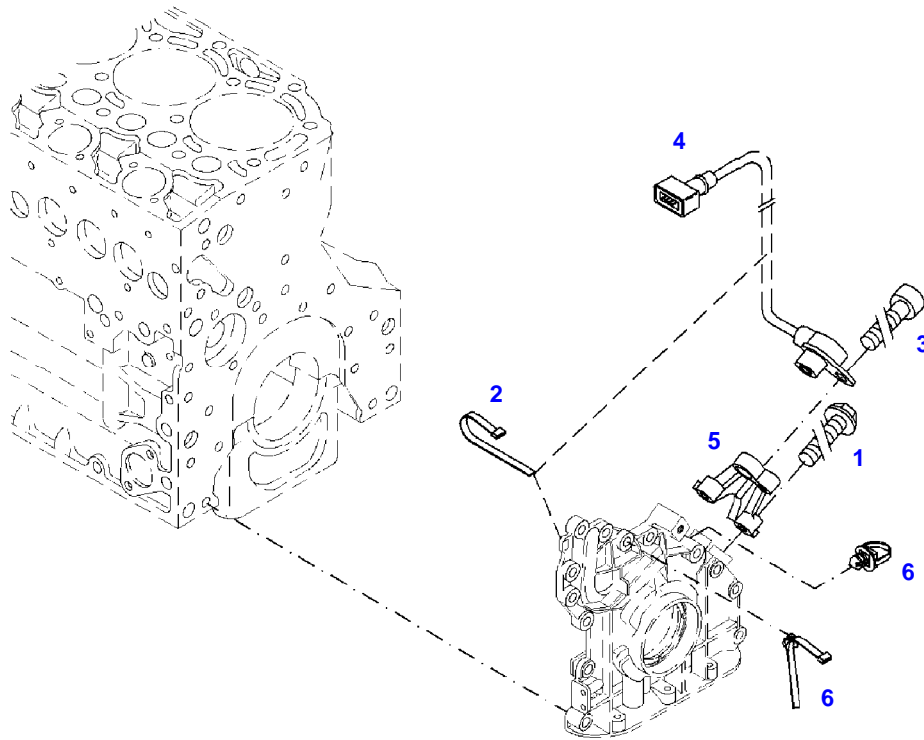
F839003

FRONT COVER

Page01-0014

Item	Part Number	Qty	Description Comments	Technical Specification
FASTENINGS				
1	F416200210030	12	HEXAGONAL HEAD BOLT M8X35	M8X35
2	F836200210300	1	SEAL	
3	F119200210340	1	TENSIONER BUSH	

FENDT 822 S4 (EEA - NON SCR) 839/01001-99999
TRANSMITTER



041001

Fendt

FENDT 822 S4 (EEA - NON SCR) 839/01001-99999

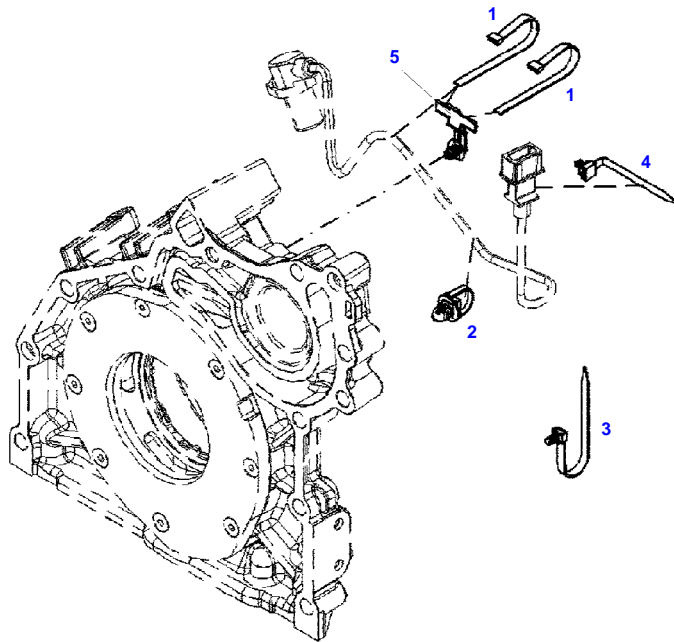
F839003

TRANSMITTER

Page01-0015

Item	Part Number	Qty	Description Comments	Technical Specification
			ENGINE SPEED EDC	
1	F339202210170	2	HEXAGONAL HEAD BOLT M6X30	
2	F149200090100	1	RETAINING STRAP	
3	X485004405000	1	SOCKET HEAD BOLT	DIN 912 M6X16-8.8
4	F339202210180	1	TRANSMITTER ENGINE SPEED EDC	
5	F731200210250	1	RETAINER	
6	F731200210170	2	RETAINING STRAP	

FENDT 822 S4 (EEA - NON SCR) 839/01001-99999
TRANSMITTER



050763

Fendt

FENDT 822 S4 (EEA - NON SCR) 839/01001-99999

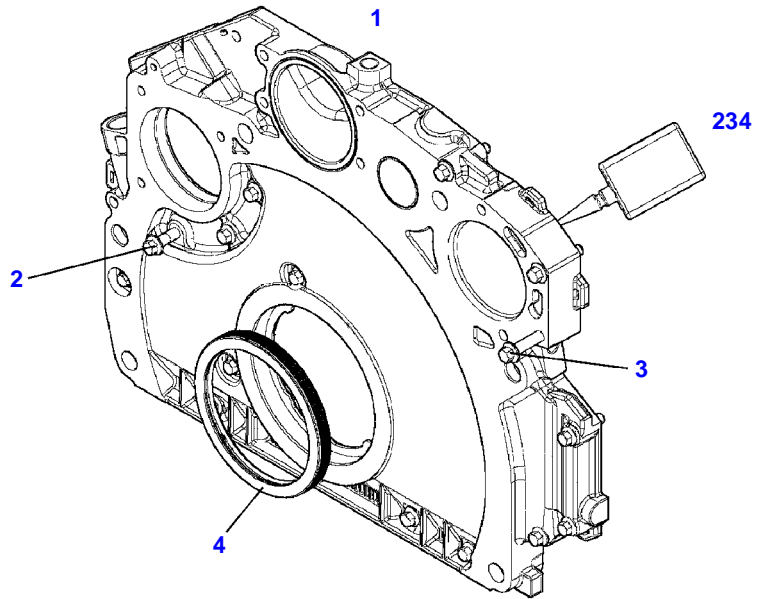
F839003

TRANSMITTER

Page01-0016

Item	Part Number	Qty	Description Comments
			ENGINE SPEED EDC FASTENINGS ENG.NO. <-- 11578682 --> 19999999
1	F149200090100	2	RETAINING STRAP
2	F731200210170	1	RETAINING STRAP
3	F946900040050	1	RETAINING STRAP
4	F339900040110	1	RETAINING STRAP
5	F842900040290	1	PLASTIC CLIP

FENDT 822 S4 (EEA - NON SCR) 839/01001-99999
GEARCASE



041231

Fendt

FENDT 822 S4 (EEA - NON SCR) 839/01001-99999

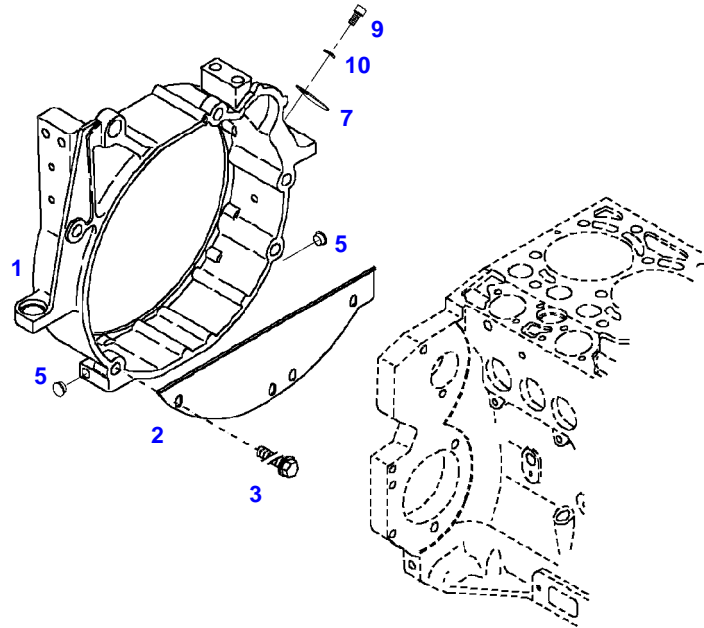
F839003

GEARCASE

Page01-0017

Item	Part Number	Qty	Description Comments	Technical Specification
1	F737200210070	1	WHEEL BOX	
2	F416200210030	12	HEXAGONAL HEAD BOLT M8X35	M8X35
3	F119200210700	3	HEXAGONAL HEAD BOLT M8X45	
4	F836200210090	1	SHAFT SEAL	
234	F119200210900	1	SEALING COMPOUND	

FENDT 822 S4 (EEA - NON SCR) 839/01001-99999
ADAPTER HOUSING



036037

Item	Part Number	Qty	Description Comments	Technical Specification
1	F416200210020	1	CONNECTING HOUSING ><2,3	
2	F716201010040	1	COVER PANEL	
3	F119200090150	3	HEXAGONAL HEAD BOLT M6X12	
5	X499501100000	2	LOCKING PLUG	F5
7	716970020010	1	COVER PANEL	
9	X485009405000	1	SOCKET HEAD BOLT	DIN 912-M8X16-8.8-A3L
10	X450006308000	1	DISC	DIN 125-8,4-ST.A3L

Thank you so much for reading.
Please click the “Buy Now!”
button below to download the
complete manual.



After you pay.

You can download the most
perfect and complete manual in
the world immediately.

Our support email:

ebooklibonline@outlook.com