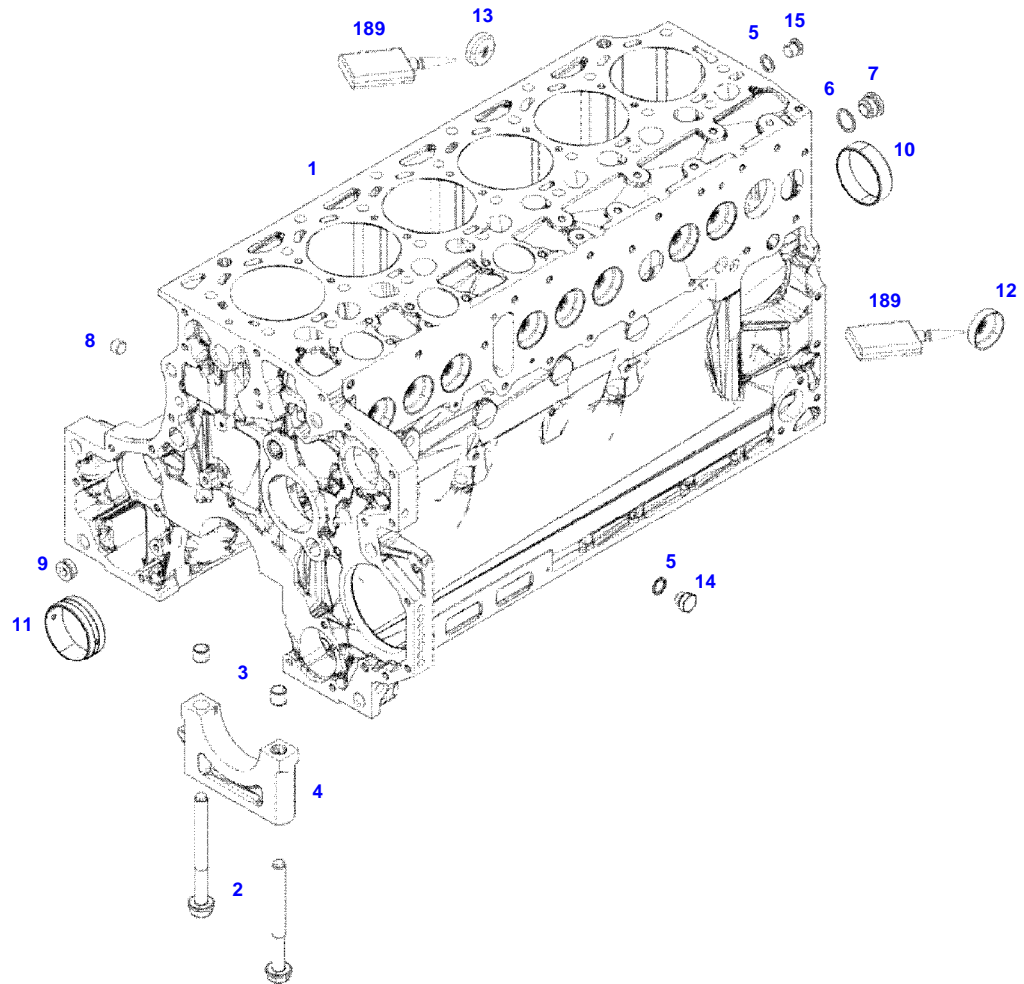


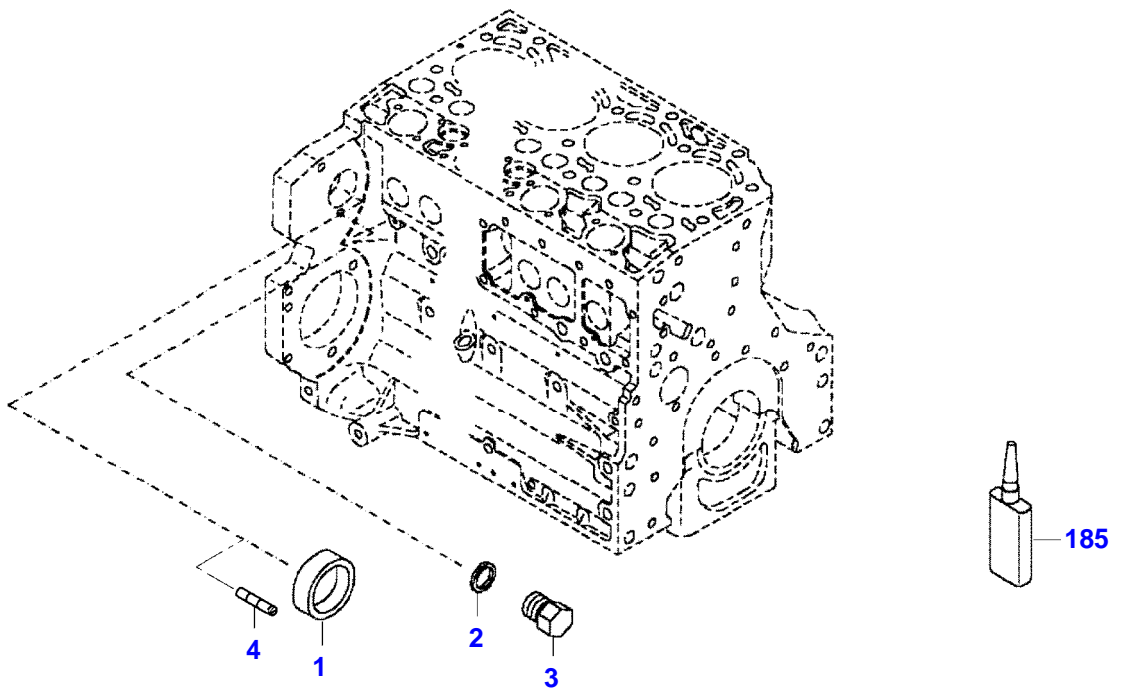
Page Number	Page Title	Page Reference
01-000-TOC	ENGINE, FUEL AND EXHAUST SYSTEM	01-000-TOC
02-000-TOC	AXLES	02-000-TOC
03-000-TOC	STEERING SYSTEM	03-000-TOC
04-000-TOC	DRIVE TRAIN SYSTEM	04-000-TOC
05-000-TOC	COMPRESSED AIR SYSTEM	05-000-TOC
06-000-TOC	HYDRAULIC SYSTEM	06-000-TOC
07-000-TOC	ELECTRICAL SYSTEM	07-000-TOC
08-000-TOC	CAB	08-000-TOC
09-000-TOC	AIR CONDITIONING AND HEATING SYSTEM	09-000-TOC
10-000-TOC	CHASSIS	10-000-TOC
11-000-TOC	WHEELS	11-000-TOC
12-000-TOC	IMPLEMENT LIFT SYSTEM FRONT	12-000-TOC
13-000-TOC	IMPLEMENT LIFT SYSTEM REAR	13-000-TOC
14-000-TOC	FRONT/REAR LOADERS	14-000-TOC
15-000-TOC	PRECISION FARMING SYSTEMS	15-000-TOC
16-000-TOC	ACCESSORIES	16-000-TOC



F061053

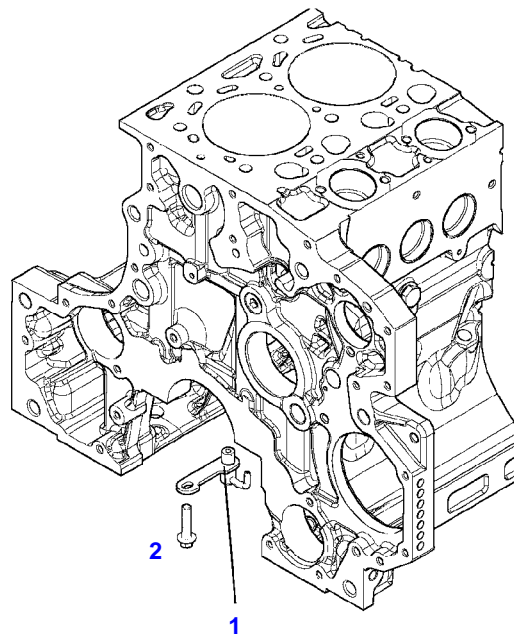


Item	Part Number	Qty	Description Comments	Technical Specification
			FROM ENGINE S/N 12299952	
	72649946	1	ENGINE FROM MACHINE S/N WAM841XXX00F07001	TTCD6.1L6
1	72625854	1	CRANKCASE INCLUDES ITEMS 2-15	
2	72416467	14	HEXAGONAL HEAD BOLT	
3	72344342	14	ADAPTER BUSH	
4				
			NOT AVAILABLE IN SINGLE PARTS	
5	72456134	2	SEALING WASHER	DIN 7603 D14X20-CU-VERZINNT
6	72439874	1	SEALING WASHER	
7	72455559	1	PLUG SCREW	
8	72429347	2	SCREW	M14X1,5
9	72431135	1	LOCKING PLUG	
10	ACP0152940	6	FEMALE BEARING	
11	ACP0152930	1	FEMALE BEARING	
12	72325325	9	CORE HOLE PLUG	
13	72325326	6	CORE HOLE PLUG	
14	72315799	2	PLUG	DIN 7604 AM14X1,5-A3L
15	72315438	1	PLUG SCREW	DIN 908 M14X1,5-ST
189	72381391	1	THREADLOCKER	LOCTITE 243 10ML



5786967-M-1

Item	Part Number	Qty	Description Comments	Technical Specification
BLANKING PARTS				
1	72627515	1	CORE HOLE PLUG UP TO ENGINE NUMBER 11982739	
	72628071	1	CAP COVER FROM ENGINE S/N 11982740	
2	72315088	2	SEALING WASHER	DIN 7603 A10X13,5-CU
3	72323677	2	PLUG	
4	72631860	2	THREADED PIN UP TO ENGINE S/N 12473099	
	72657969	2	PLUG SCREW FROM ENGINE S/N 12473100	
185	72325403	1	SAFE.LOCK AGENT UP TO ENGINE NUMBER 11982739	
	72493900	1	INSTALLATION AIDS FROM ENGINE S/N 11982740	



041197

Fendt

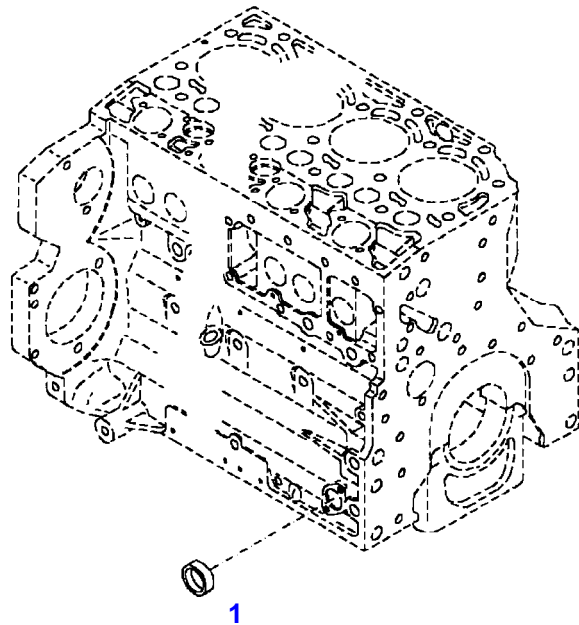
FENDT 826 S4 (841/00101-05000) (WAM841XXX00F05001-99999)

F841000

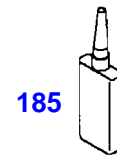
CRANKCASE

Page01-0006

Item	Part Number	Qty	Description Comments	Technical Specification
			PISTON COOL.NOZZLE	
1	72613036	6	PISTON COOLING JET	
2	72605244	6	HEXAGONAL HEAD BOLT	M8X35



040194



Fendt

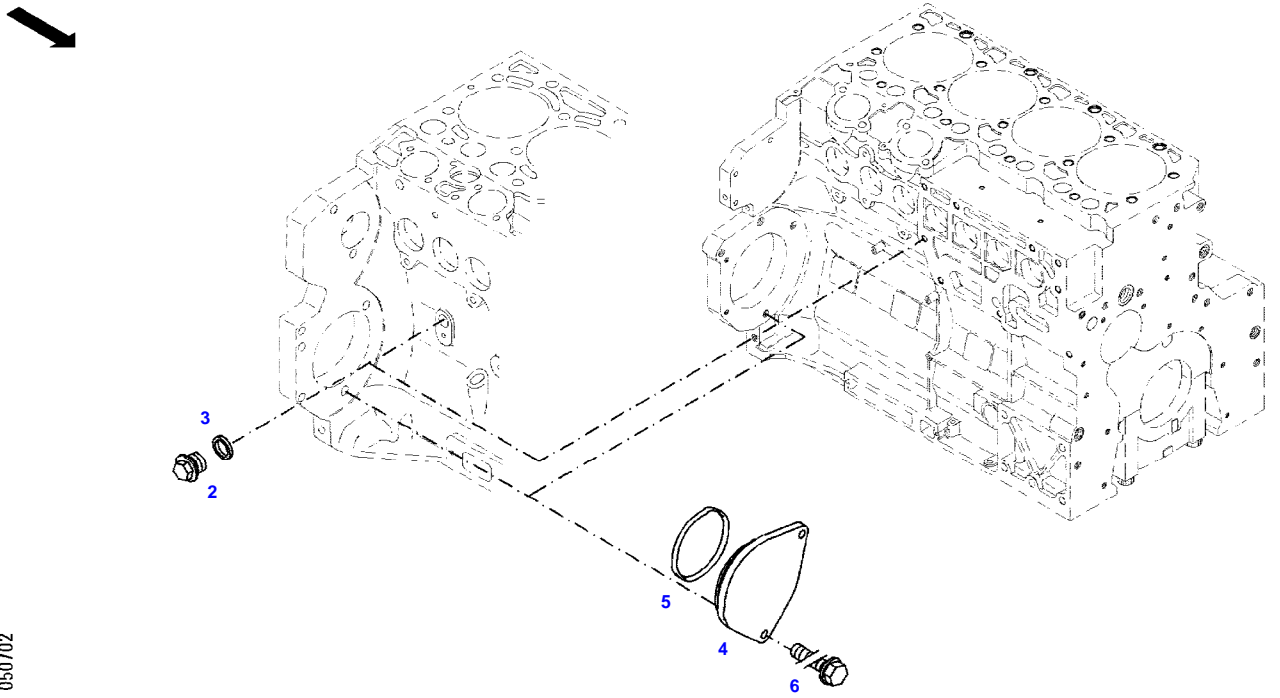
FENDT 826 S4 (841/00101-05000) (WAM841XXX00F05001-99999)

F841000

CRANKCASE

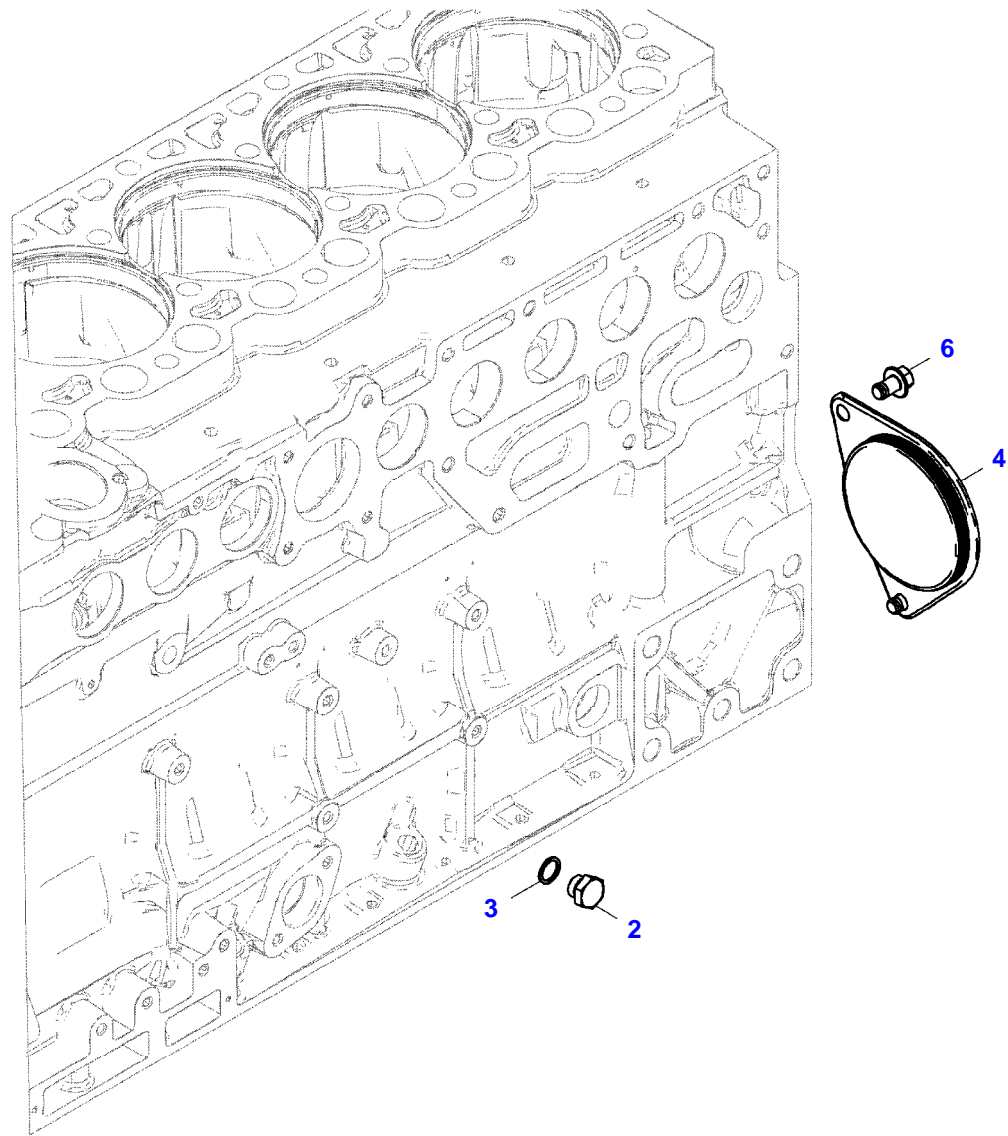
Page01-0007

Item	Part Number	Qty	Description Comments
			LOCKING PLUG
1	72325326	1	CORE HOLE PLUG UP TO ENGINE NUMBER 11982739
	72628072	1	CAP COVER FROM ENGINE S/N 11982740
185	72325403	1	SAFE.LOCK AGENT UP TO ENGINE NUMBER 11982739
	72493900	1	INSTALLATION AIDS FROM ENGINE S/N 11982740



050702

Item	Part Number	Qty	Description Comments	Technical Specification
BLANKING PARTS				
2	72315799	1	PLUG NOT NEEDED WITH AIR BRAKE	DIN 7604 AM14X1,5-A3L
3	72439867	1	SEALING WASHER NOT NEEDED WITH AIR BRAKE	DIN7603-14X18-CU-VERZ
4	72431648	1	COVER NOT NEEDED WITH AIR BRAKE	
5	72416472	1	SEAL 96X4MM NOT NEEDED WITH AIR BRAKE	
6	72438057	1	HEXAGONAL HEAD BOLT NOT NEEDED WITH AIR BRAKE UP TO 2017-08	M10X20
	72657640	1	HEXAGONAL HEAD BOLT NOT NEEDED WITH AIR BRAKE FROM 2017-09	M10X16



25548786-M-1

Fendt

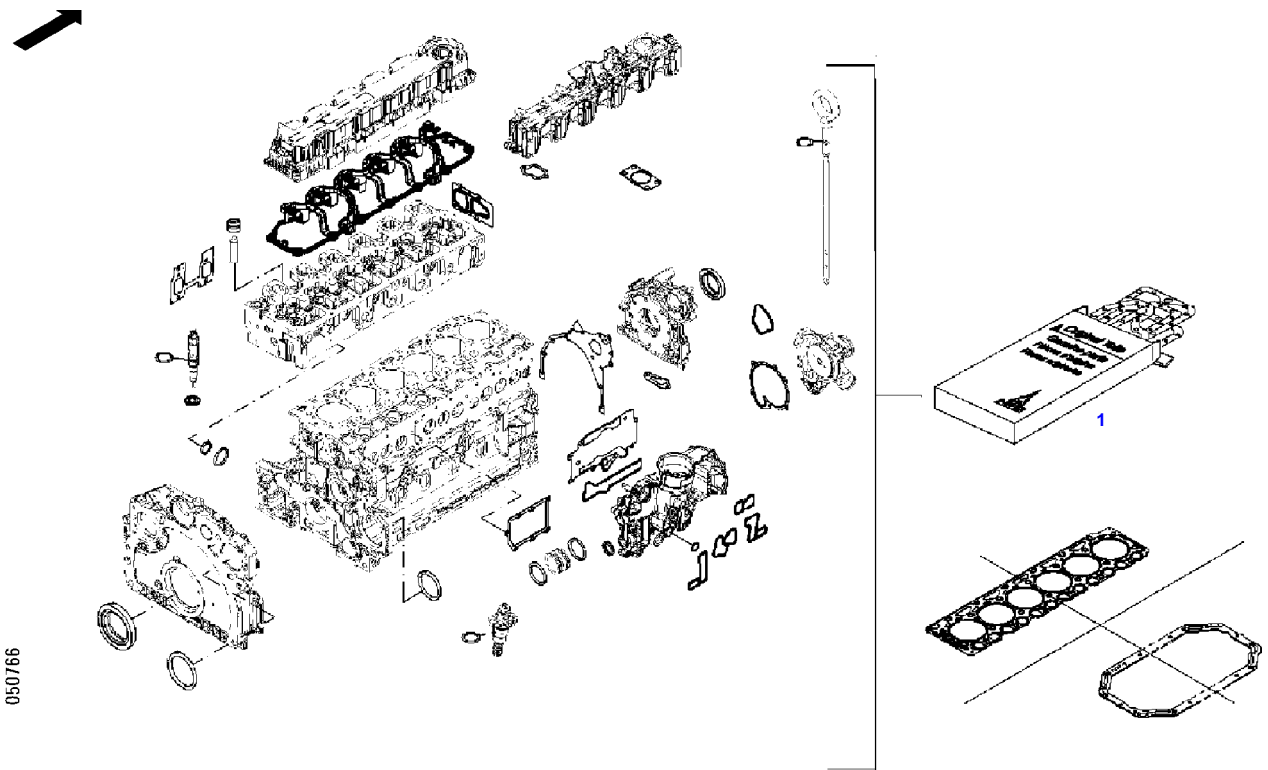
FENDT 826 S4 (841/00101-05000) (WAM841XXX00F05001-99999)

F841000

CRANKCASE

Page01-0009

Item	Part Number	Qty	Description Comments	Technical Specification
			BLANKING PARTS FROM ENGINE S/N 12163402	
2	72631866	1	PLUG SCREW NOT NEEDED WITH AIR BRAKE	
3	72439867	1	SEALING WASHER NOT NEEDED WITH AIR BRAKE	DIN7603-14X18-CU-VERZ
4	72657732	1	COVER NOT NEEDED WITH AIR BRAKE	
6	72657640	2	HEXAGONAL HEAD BOLT	M10X16



050766

Fendt

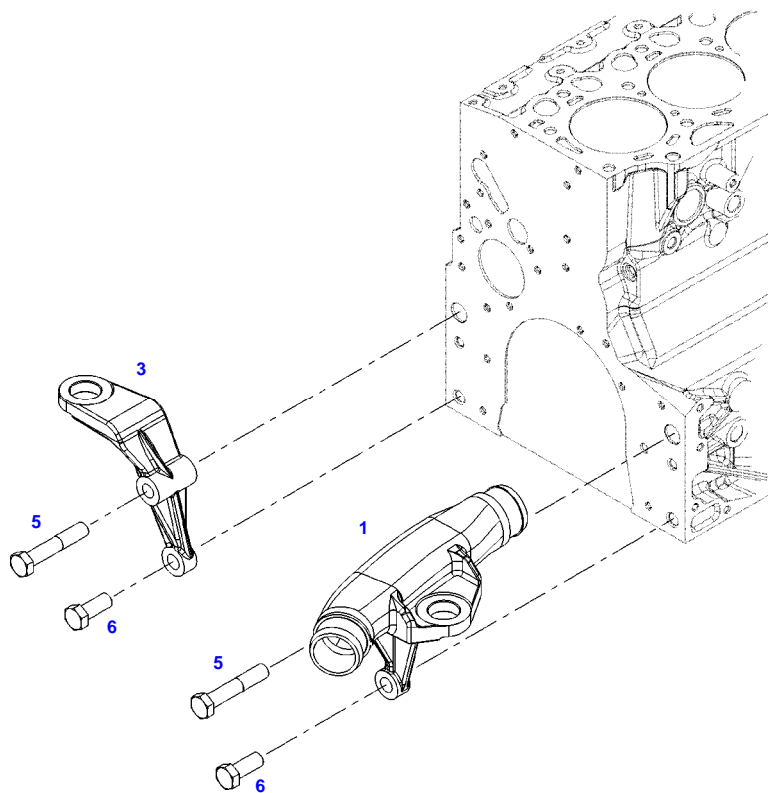
FENDT 826 S4 (841/00101-05000) (WAM841XXX00F05001-99999)

F841000

SET OF GASKETS - MOTOR

Page01-0010

Item	Part Number	Qty	Description Comments
1	72613037	1	SEAL KIT WITHOUT CYLINDER HEAD GASKET



050822

Fendt

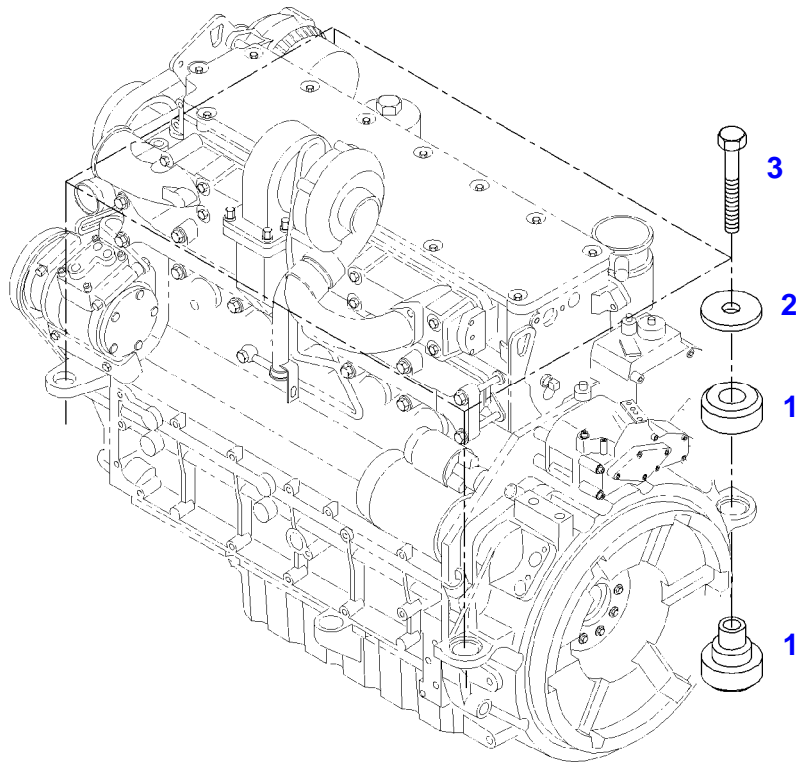
FENDT 826 S4 (841/00101-05000) (WAM841XXX00F05001-99999)

F841000

ENGINE MOUNTINGS

Page01-0011

Item	Part Number	Qty	Description Comments	Technical Specification
1	72609225	1	HOLDER LEFT	L
3	72481061	1	ENGINE MOUNT RIGHT	
5	72374294	2	HEXAGONAL HEAD BOLT	DIN 931-M16X85 GWA-10.9
6	72418408	2	HEXAGONAL HEAD BOLT	DIN 933 M16X40 GWA-10.9



035107

Fendt

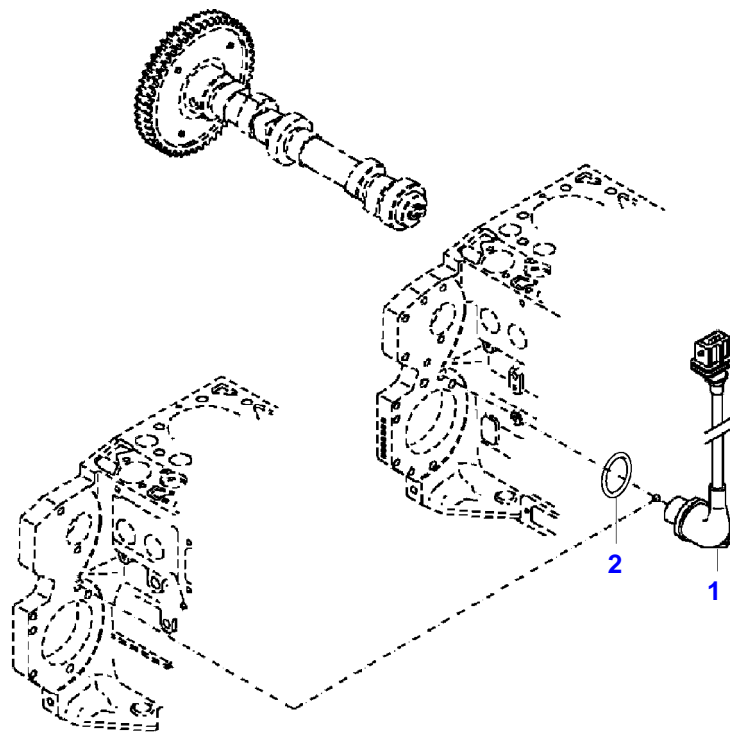
FENDT 826 S4 (841/00101-05000) (WAM841XXX00F05001-99999)

F841000

ENGINE BEARINGS

Page01-0012

Item	Part Number	Qty	Description Comments	Technical Specification
1	72609235	4	ENGINE SUSPENSION	
2	72318110	4	DISC	
3	72315563	4	HEXAGONAL HEAD BOLT	DIN 931 M12X80-8.8A3L



5788543-M-1

Fendt

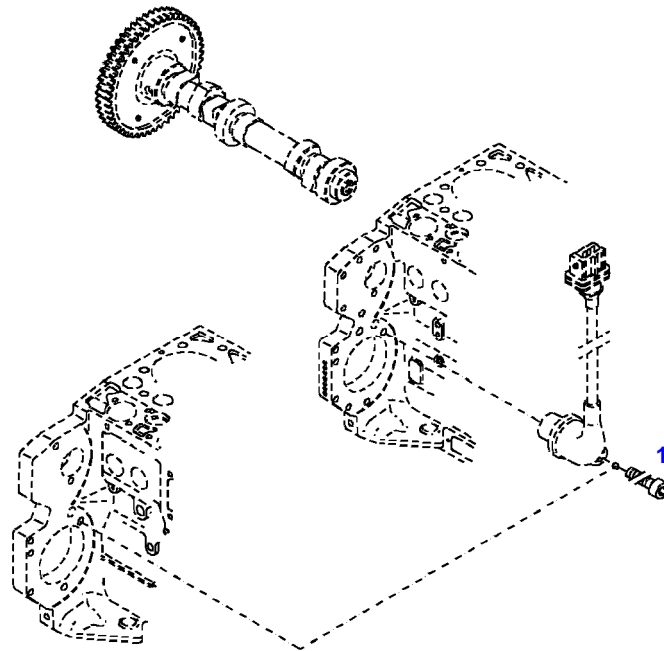
FENDT 826 S4 (841/00101-05000) (WAM841XXX00F05001-99999)

F841000

TRANSMITTER

Page01-0013

Item	Part Number	Qty	Description Comments
			ENGINE SPEED EDC
1	72436871	1	TRANSMITTER ENGINE SPEED EDC UP TO ENGINE NUMBER 11933623
	72626758	1	TRANSMITTER ENGINE SPEED EDC FROM ENGINE S/N 11933624
2	72628348	1	O-RING



035317

Fendt

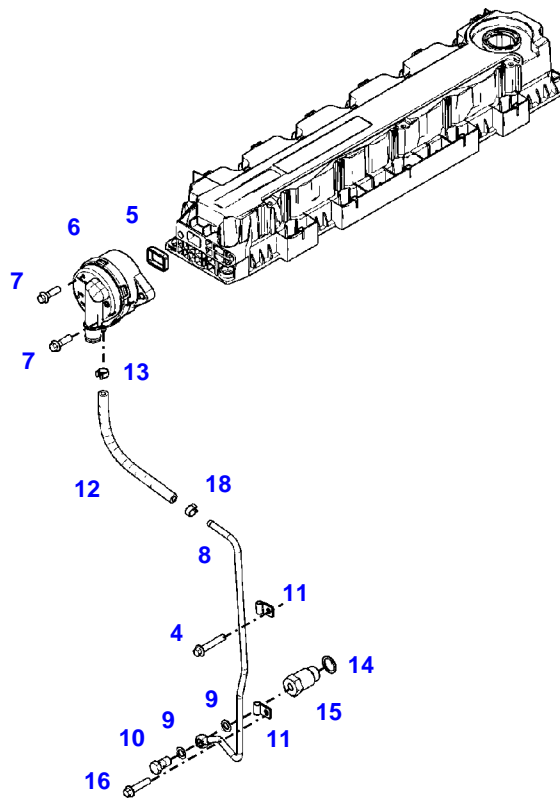
FENDT 826 S4 (841/00101-05000) (WAM841XXX00F05001-99999)

F841000

TRANSMITTER

Page01-0014

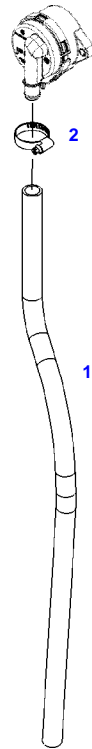
Item	Part Number	Qty	Description Comments	Technical Specification
			ENGINE SPEED FASTENINGS	
1	72315460	1	SOCKET HEAD BOLT	DIN 912 M6X16-8.8



041242

CRANKCASE BREATHER

Item	Part Number	Qty	Description Comments	Technical Specification
4	72325453	1	HEXAGONAL HEAD BOLT M8X50	
5	72455795	1	SEAL	
6	72437250	1	BREATHER ><5	
7	72325293	2	HEXAGONAL HEAD BOLT M8X30	M8X30
8	72495347	1	OIL RETURN LINE ><9-13	
9	72439873	2	SEALING WASHER	
10	72323517	1	BANJO BOLT	
11	72425772	2	PIPE CLAMP	
12	72495349	1	RUBBER HOSE	
13	72479013	1	HOSE CLIP	
14	72439874	1	SEALING WASHER	
15	72425770	1	LOCK VALVE	
16	72325457	1	HEXAGONAL HEAD BOLT M8X40	
18	72479013	1	HOSE CLIP	



050819

Fendt

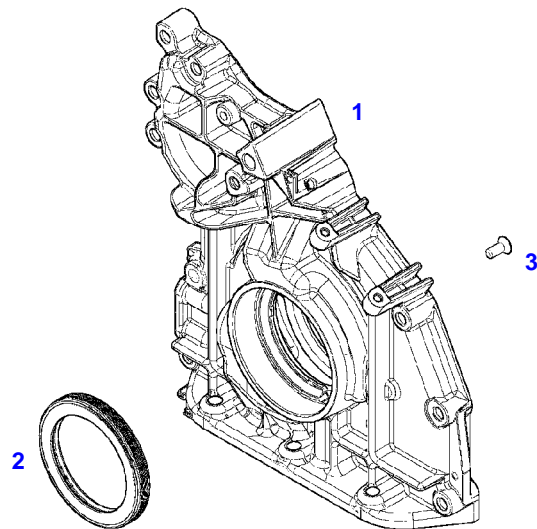
FENDT 826 S4 (841/00101-05000) (WAM841XXX00F05001-99999)

F841000

CRANKCASE BREATHER

Page01-0016

Item	Part Number	Qty	Description Comments
			BREATHER TUBE
1	72614567	1	HOSE SUPERSESSION
	72437755	1	HOSE SERIES EXECUTION NO LONGER AVAILABLE
2	72311167	1	HOSE CLIP



041199

Fendt

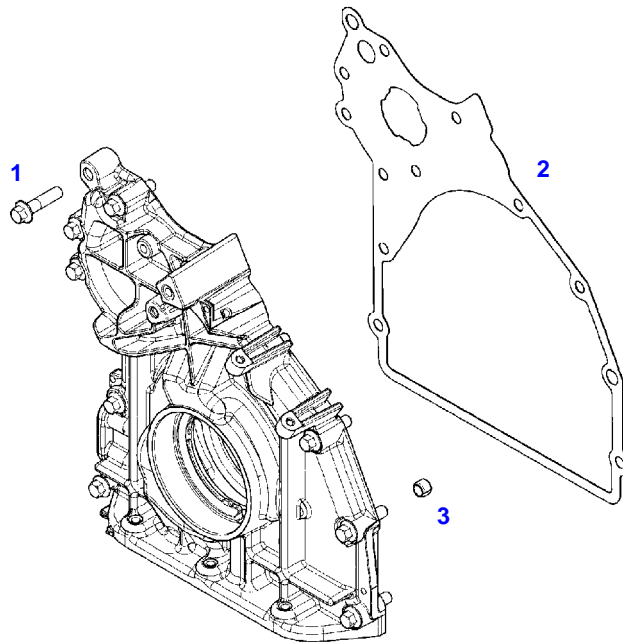
FENDT 826 S4 (841/00101-05000) (WAM841XXX00F05001-99999)

F841000

FRONT COVER

Page01-0017

Item	Part Number	Qty	Description Comments
			INTEGRATED OIL PUMP
1	72648947	1	CRANKCASE END COVER INTEGRATED OIL PUMP ><2,3
2	72479487	1	SHAFT SEAL
3	72416228	8	COUNTERSUNK CAPSCREW M6X16



041243

Fendt

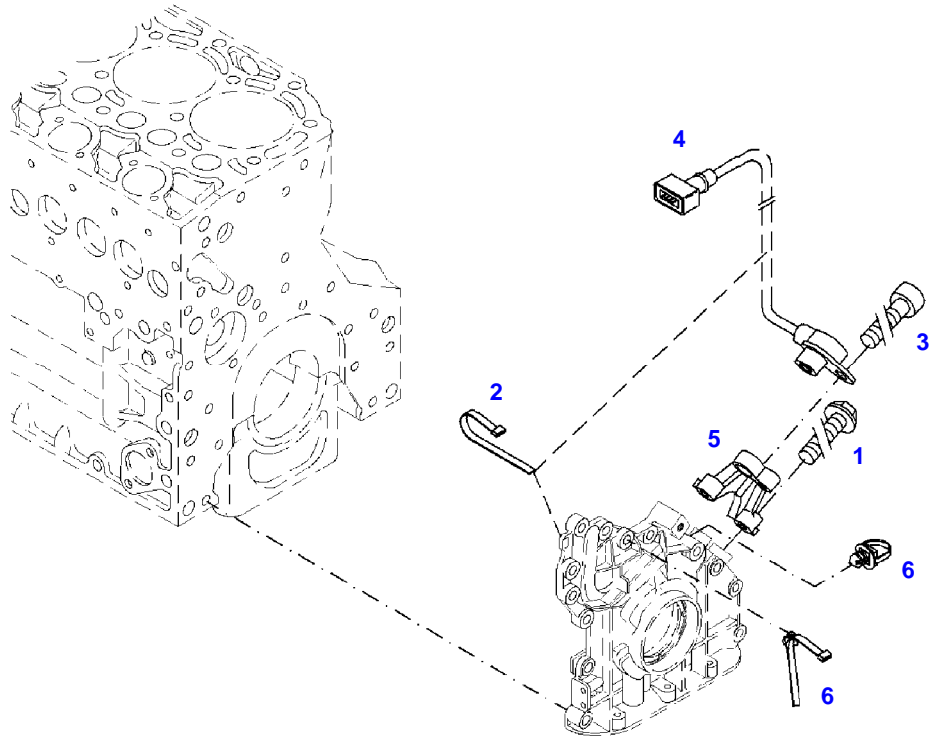
FENDT 826 S4 (841/00101-05000) (WAM841XXX00F05001-99999)

F841000

FRONT COVER

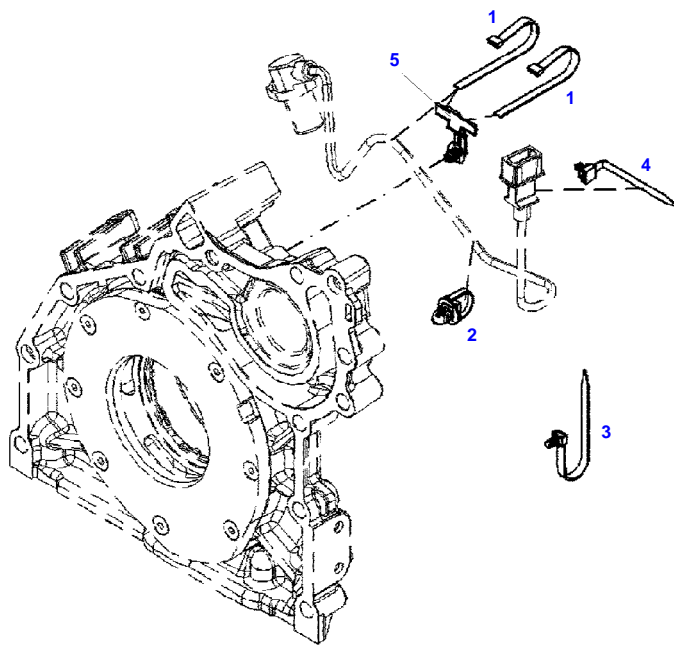
Page01-0018

Item	Part Number	Qty	Description Comments	Technical Specification
FASTENINGS				
1	72605244	12	HEXAGONAL HEAD BOLT M8X35	M8X35
2	72486511	1	SEAL	
3	72325352	1	TENSIONER BUSHING	



041001

Item	Part Number	Qty	Description Comments	Technical Specification
			ENGINE SPEED EDC	
1	72436834	2	HEXAGONAL HEAD BOLT M6X30	
2	72416001	1	RETAINING STRAP	
3	72315460	1	SOCKET HEAD BOLT	DIN 912 M6X16-8.8
4	72436872	1	TRANSMITTER ENGINE SPEED EDC	
5	72494073	1	RETAINER	
6	72455561	2	RETAINING STRAP	



050763

Fendt

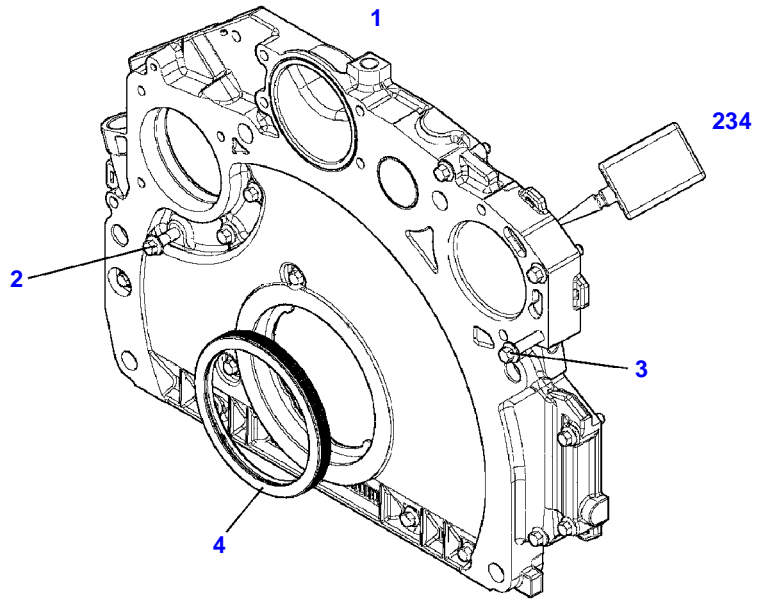
FENDT 826 S4 (841/00101-05000) (WAM841XXX00F05001-99999)

F841000

TRANSMITTER

Page01-0020

Item	Part Number	Qty	Description Comments
			ENGINE SPEED EDC FASTENINGS ENGINE NUMBER <-- 11578682 --> 19999999
1	72416001	2	RETAINING STRAP
2	72455561	1	RETAINING STRAP
3	72486033	1	RETAINING STRAP
4	72436349	1	RETAINING STRAP
5	72613268	1	PLASTIC CLIP



041231

Fendt

FENDT 826 S4 (841/00101-05000) (WAM841XXX00F05001-99999)

F841000

GEARCASE

Page01-0021

Item	Part Number	Qty	Description Comments	Technical Specification
1	72615423	1	WHEEL BOX UP TO ENGINE S/N 12087781	
	72631855	1	WHEEL BOX FROM - UP TO ENGINE S/N 12087782 - 12331697	
2	72605244	12	HEXAGONAL HEAD BOLT M8X35	M8X35
3	72325388	3	HEXAGONAL HEAD BOLT M8X45	M8X45
4	72479495	1	SHAFT SEAL	
234	72626246	1	SEALING COMPOUND	

Thank you so much for reading.
Please click the “Buy Now!”
button below to download the
complete manual.



After you pay.

You can download the most
perfect and complete manual in
the world immediately.

Our support email:

ebooklibonline@outlook.com