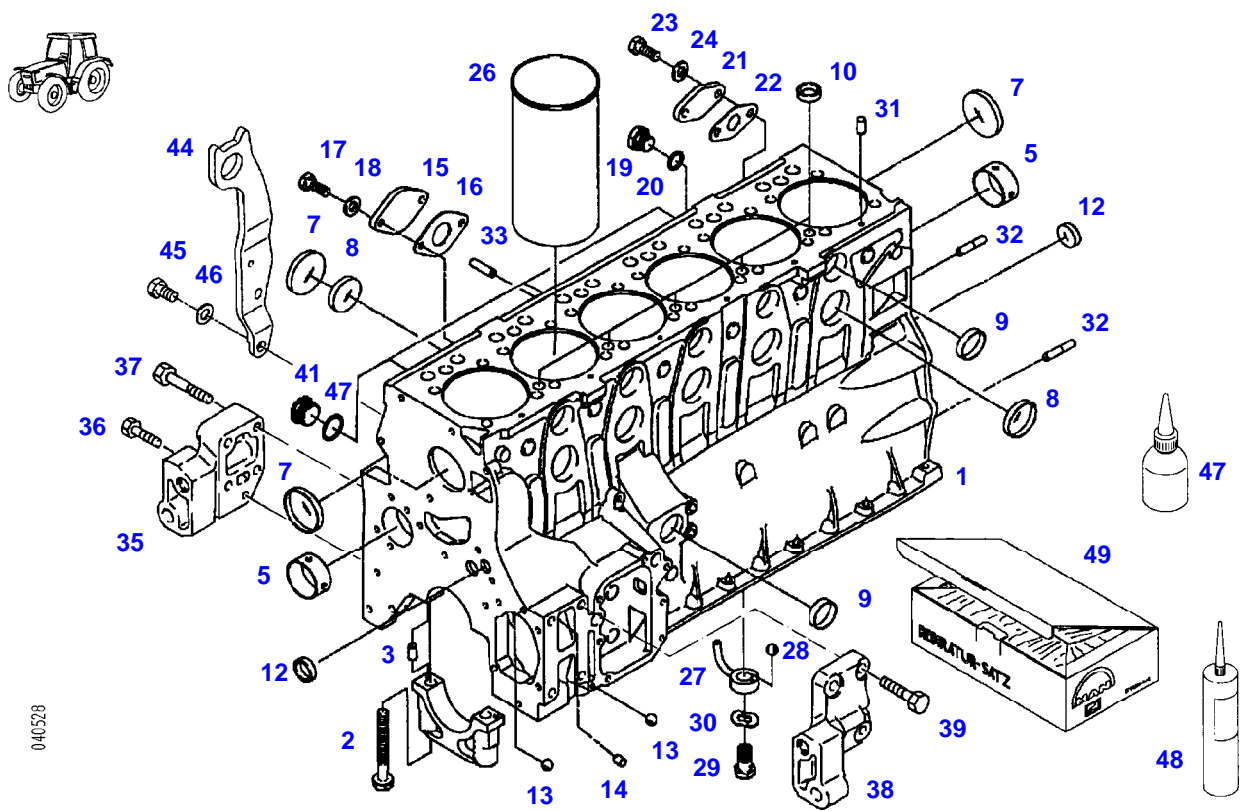


Page Number	Page Title	Page Reference
01-000-TOC	ENGINE, FUEL AND EXHAUST SYSTEM	01-000-TOC
02-000-TOC	AXLES	02-000-TOC
03-000-TOC	STEERING SYSTEM	03-000-TOC
04-000-TOC	DRIVE TRAIN SYSTEM	04-000-TOC
05-000-TOC	COMPRESSED AIR SYSTEM	05-000-TOC
06-000-TOC	HYDRAULIC SYSTEM	06-000-TOC
07-000-TOC	ELECTRICAL SYSTEM	07-000-TOC
08-000-TOC	CAB	08-000-TOC
09-000-TOC	AIR CONDITIONING AND HEATING SYSTEM	09-000-TOC
10-000-TOC	CHASSIS	10-000-TOC
11-000-TOC	WHEELS	11-000-TOC
12-000-TOC	IMPLEMENT LIFT SYSTEM	12-000-TOC

Page Number	Page Title	Page Reference
01-001	CRANKCASE	2020
01-002	PUMP DRIVE	2030
01-003	FRONT COVER	2040
01-004	FLYWHEEL HOUSING	2055
01-005	CYLINDER HEAD	2060
01-006	ENGINE BREATHING ENG.NO. --> 162 9153 519	2065
01-007	ENGINE BREATHING ENG.NO. <-- 162 9153 520	2066
01-008	CRANKSHAFT	2070
01-009	PISTON	2080
01-010	CAMSHAFT	2090
01-011	VALVE DRIVE	2100
01-012	OIL PAN ENG.NO. --> 162 9153 519	2110
01-013	OIL PAN ENG.NO. <-- 162 9153 520	2111
01-014	GEAR PUMP	2120
01-015	OIL FILTER/-COOLER	2130
01-016	INJECTION PUMP	2140
01-017	FUEL PUMP	2150
01-018	INJECTOR	2160
01-019	FUEL PIPE	2170
01-020	FUEL FILTER	2180
01-021	FUEL LINES	2190
01-022	FUEL TANK	2285
01-023	COLD STARTING AID	2310
01-024	RADIATOR --> 901/1001	2320
01-025	RADIATOR <-- 901/1002	2325
01-026	COOL. WATER PIPING --> 901/1001	2340
01-027	COOL. WATER PIPING <-- 901/1002	2345
01-028	WATER PUMP ENG.NO. --> 162 9722 000	2350
01-029	WATER PUMP ENG.NO. <-- 162 9722 001	2355
01-030	COLL. WATER PIPING	2360
01-031	AIR FILTER --> 901/1001	2365
01-032	AIR FILTER SUCTION PIPE --> 901/1001	2370
01-033	BOOST INTERCOOLING	2390
01-034	SUCTION PIPE	2400
01-035	TURBO-SUPERCHARGER	2410
01-036	TURBO-SUPERCHARGER OIL PRESSURE PIPE ENG.NO. --> 162 9153 519	2415
01-037	TURBO-SUPERCHARGER OIL PRESSURE PIPE ENG.NO. <-- 162 9153 520	2416
01-038	EXHAUST BEND	2422
01-039	EXHAUST	2440
01-040	EXHAUST BRAKE --> 901/1001	2450
01-041	ENGINE STOP	2460

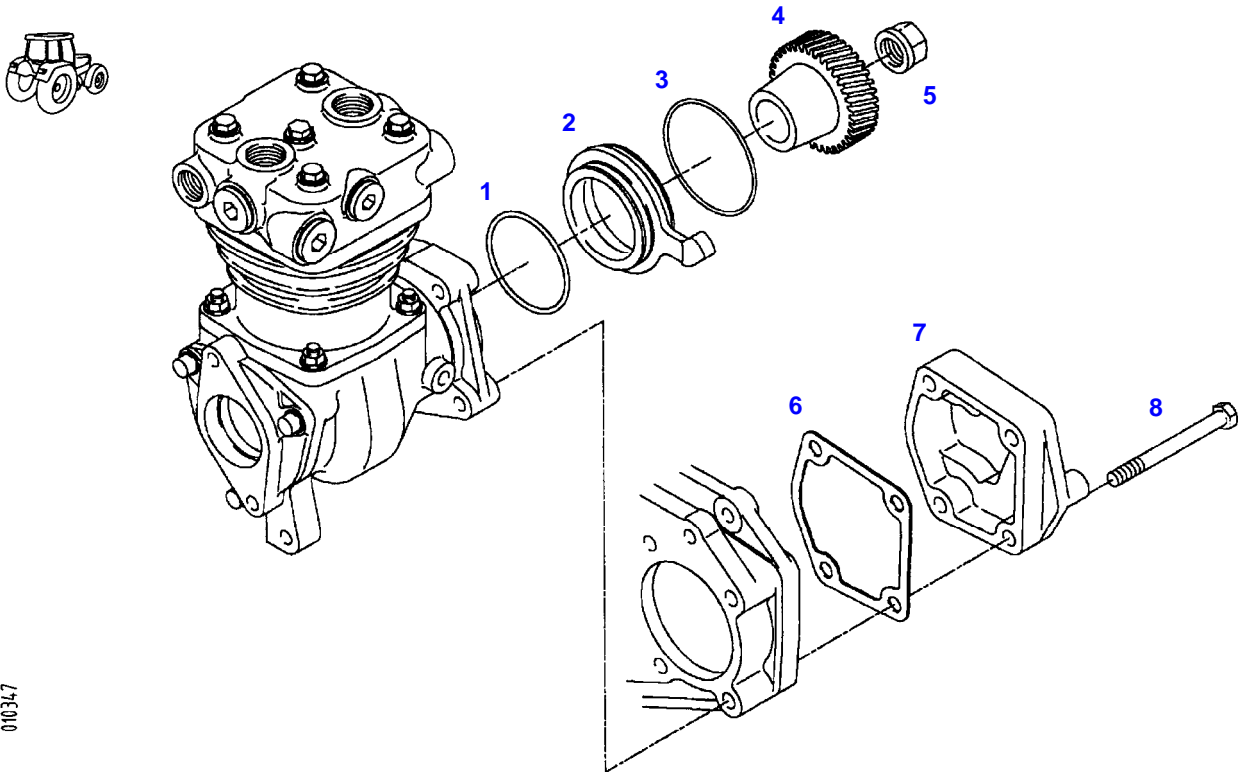
Page Number	Page Title	Page Reference
01-042	SPEED CONTROL	2480
01-043	FAN FRAME	2660
01-044	V-BELT	2665
01-045	VISCO FAN	2680
01-046	TENSION ROLLER	2690
01-047	SPEED CONTROL	2750
01-048	COOLING SYSTEM	2751
01-049	FUEL SYSTEM	2752
01-050	AIR FILTER	2753
01-051	EXHAUST	2754
01-052	ENGINE STOP	2755

OEM HORSCH 901/01001-99999
CRANKCASE



Item	Part Number	Qty	Description Comments	Technical Specification
	72425111	1	SHORT BLOCK ENGINE	
1	72311577	1	CRANKCASE ><2-24,41,42	
2	72315380	14	WASHER HEAD BOLT	
3	72313719	14	CYLINDER PIN	
5	72316153	4	BEARING CUP 55,07MM	
	72310225	4	BEARING CUP 55,10MM	
7	72417059	8	COVER 62,20MM	
	72311421	8	COVER 63,00MM	
8	72311422	11	COVER 50,20MM	
	72311423	11	COVER 51,00MM	
9	72311424	6	COVER 40,20MM	
	72311425	6	COVER 41,00MM	
10	72311426	5	COVER	
12	72311432	2	COVER	
13	72310168	2	BALL	
14	72314696	1	SEALING PLUG	
15	72312123	1	BLANK FLANGE	
16	72312258	1	SEAL	
17	72315630	2	HEX HEAD BOLT	DIN 933 M6X18-8.8A3L
18	72311787	2	DISC	DIN 125-6,4-ST.A3L
19	72315799	1	PLUG	DIN 7604 AM14X1,5-A3L
20	72315094	1	SEALING WASHER	DIN 7603 A14X18-CU
21	72312125	1	FLANGE	
22	72312268	1	SEAL	
23	72315650	2	HEX HEAD BOLT	DIN 933 M8X20-8.8A3L
24	72311788	2	DISC	DIN 125-8,4-ST.A3L
26	72313100	6	SLEEVE BUSHING	
	72431672	6	CYLINDER LINER COLLAR OVERSIZE 0.20MM	
27	72313230	6	OIL SPLASH NOZZLE ><28	
28			NOT AVAILABLE IN SINGLE PARTS	
29	72317037	6	OIL PRESSURE VALVE	
30	72317123	6	SPRING WASHER	DIN 137 B12-ZNPHR
31	72313719	6	CYLINDER PIN	
32	72313721	2	CENTERING PIN	
33	72313829	1	TENSIONING PIN	ISO8752-8X32-A-ST
35	72428719	1	ENGINE SUPPORT	
36	72315686	1	HEX HEAD BOLT	DIN 933-M10X35-12.9
37	72315559	4	HEX HEAD BOLT	DIN 931 M12X60 GWA-10.9
38	72428720	1	ENGINE SUPPORT	
39	72315713	4	HEX HEAD BOLT	DIN 933 M12X40 GWA-10.9
41	72315445	3	PLUG	DIN 908 M30X1,5-ST
42	72315105	3	SEALING WASHER	DIN 7603 A30X36-CU
44	72312042	1	SUSPENSION EYE	
45	72315721	1	HEX HEAD BOLT	DIN 933 M14X25-8.8A3L
46	72311792	1	DISC	DIN125-15-ST
47	72313159	1	LOCTITE	50CM3
48	72311273	1	SEALING COMPOUND	TEROST-63S
49	72312365	1	SEAL KIT <>	
	72426464	24	HEX BOLT, WITH COLLAR	

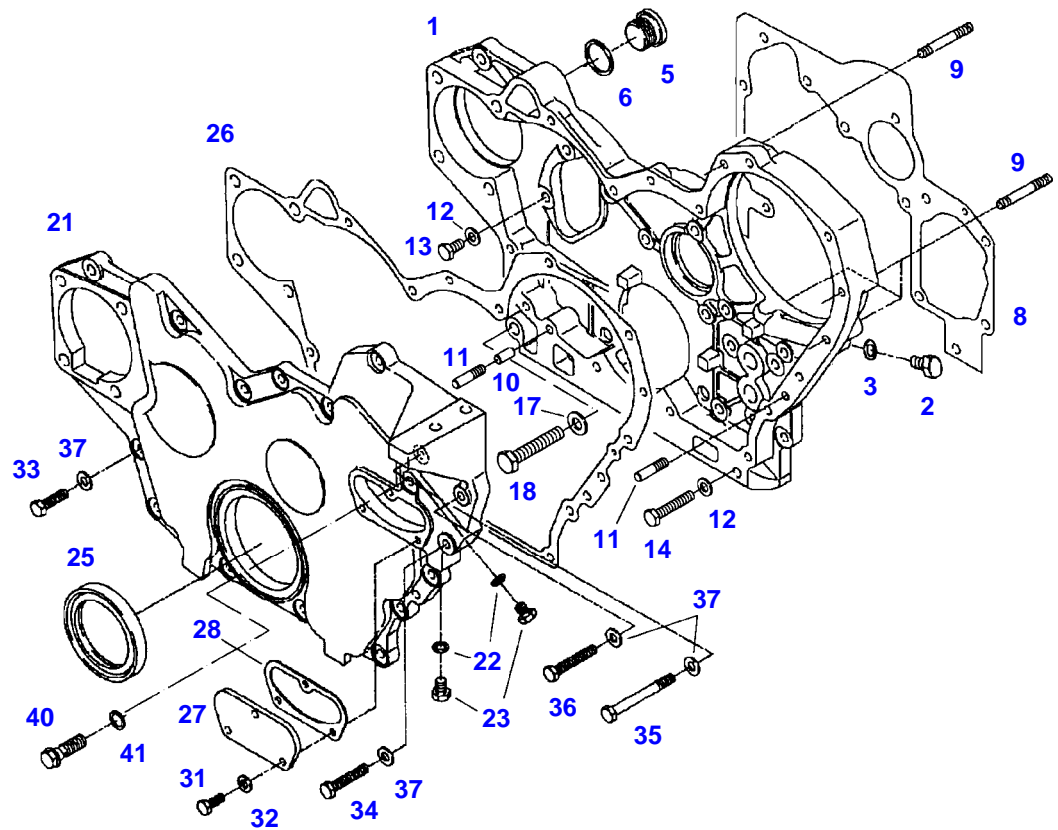
OEM HORSCH 901/01001-99999
PUMP DRIVE



010347

Item	Part Number	Qty	Description Comments	Technical Specification
1	72313536	1	SEAL	
2	72312004	1	ECCENTRIC	
3	72313390	1	O-RING	
4	72417063	1	DRIVE GEAR	
5	72313333	1	WHEEL NUT	DIN74361-B20-8
6	72312269	1	SEAL	
7	72311433	1	COVER	
8	72315551	4	HEX HEAD BOLT	DIN 931 M10X100-8.8

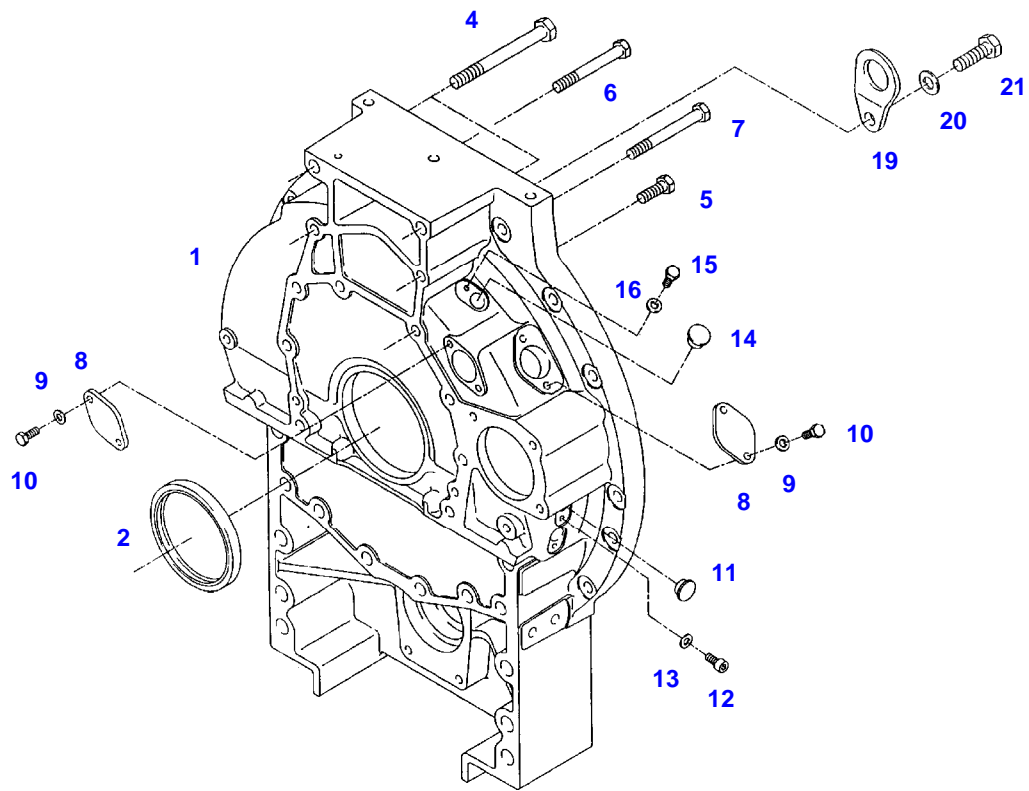
OEM HORSCH 901/01001-99999
FRONT COVER



010139

Item	Part Number	Qty	Description Comments	Technical Specification
1	72312752	1	CONTROL HOUSING ><2-6	
2	72315627	1	HEX HEAD BOLT	DIN 933 M6X8-8.8A3L
3	72315084	1	SEALING WASHER	DIN 7603 A6X10-CU
5	72315442	1	PLUG	DIN 908 M22X1,5-ST
6	72315101	1	SEALING WASHER	DIN 7603 A22X27-CU
8	72312259	1	SEAL	
9	72313755	4	STUD BOLT	DIN 835 M8X50-8.8-ZNP
10	72313848	1	TENSIONING PIN	ISO8750-8X16-ST
11	72313720	2	CENTERING PIN	
12	72311788	12	DISC	DIN 125-8,4-ST.A3L
13	72315653	11	HEX HEAD BOLT	DIN 933 M8X25-8.8A3L
14	72315529	1	HEX HEAD BOLT	DIN 931 M8X50-8.8A3L
17	72311789	1	DISC	DIN 125-10,5-ST.A3L
18	72315544	1	HEX HEAD BOLT	DIN 931 M10X50-8.8A3L
21	72311431	1	COVER ><22+23	
22	72315084	2	SEALING WASHER	DIN 7603 A6X10-CU
23	72315627	2	HEX HEAD BOLT	DIN 933 M6X8-8.8A3L
25	72346310	1	SHAFT SEALING RINGS	
26	72312260	1	SEAL	
27	72311419	1	COVER	
28	72312261	1	SEAL	
31	72315625	3	HEX HEAD BOLT	DIN 933 M6X16-8.8
32	72311787	3	DISC	DIN 125-6,4-ST.A3L
33	72315657	12	HEX HEAD BOLT	DIN 933 M8X30-8.8A3L
34	72315665	1	HEX HEAD BOLT	DIN 933 M8X45-8.8A3L
35	72315535	1	HEX HEAD BOLT	DIN 931 M8X75 GWA-10.9
36	72315668	1	HEX HEAD BOLT	DIN 933 M8X50-8.8A3L
37	72311788	15	DISC	DIN 125-8,4-ST.A3L
40	72315379	1	SCREW	
41	72315086	1	SEALING WASHER	DIN 7603 A8X11,5-CU

OEM HORSCH 901/01001-99999
FLYWHEEL HOUSING



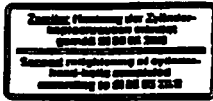
040412

Item	Part Number	Qty	Description Comments	Technical Specification
1	72415318	1	FLYWHEEL HOUSING >>2 ENG.NO. --> 162 8854 999 <> <>	
	72315084	1	SEALING WASHER	DIN 7603 A6X10-CU
	72315758	1	HEX HEAD BOLT	DIN 933 M6X12 SK-8.8A3L
	72416967	1	PLUG	
	72315569	1	HEX HEAD BOLT	DIN 931 M12X110 GWA-10.9
2	72315031	1	SHAFT SEALING RINGS	
4	72315580	2	HEX HEAD BOLT	DIN931-M14X140-10.9-ZNPHR3F
5	72315710	8	HEX HEAD BOLT	DIN 933-M12X35 GWA-10.9
6	72315567	1	HEX HEAD BOLT	DIN 931 M12X100 GWA-10.9
7	72315567	1	HEX HEAD BOLT ENG.NO. --> 162 8854 999	DIN 931 M12X100 GWA-10.9
	72315569	1	HEX HEAD BOLT ENG.NO. <-- 162 8855 001	DIN 931 M12X110 GWA-10.9
8	72312124	2	BLANK FLANGE	
9	72311788	4	DISC	DIN 125-8,4-ST.A3L
10	72315653	4	HEX HEAD BOLT	DIN 933 M8X25-8.8A3L
11	72346444	1	LOCKING PLUG	
12	72374017	1	PAN HEAD SCREW	DIN 912 M8X12-8.8
13	72315087	1	SEALING WASHER	DIN 7603 A8X14-CU
14	72416967	1	PLUG	
15	72315758	1	HEX HEAD BOLT	DIN 933 M6X12 SK-8.8A3L
16	72315084	1	SEALING WASHER	DIN 7603 A6X10-CU
19	72312041	1	EYE	
20	72315721	2	HEX HEAD BOLT	DIN 933 M14X25-8.8A3L
21	72311792	2	DISC	DIN125-15-ST

OEM HORSCH 901/01001-99999
CYLINDER HEAD

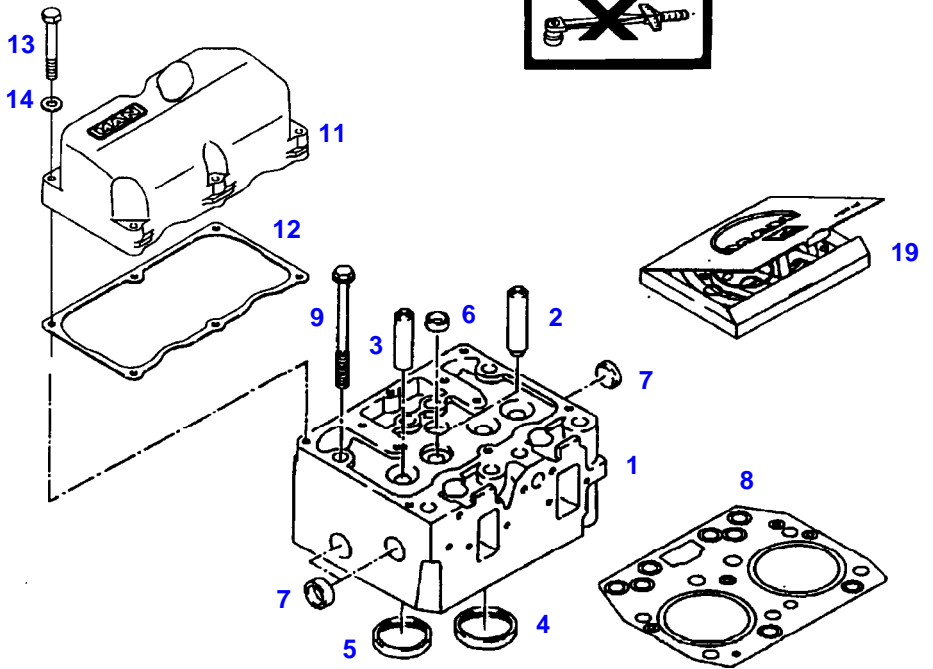


17



18

20

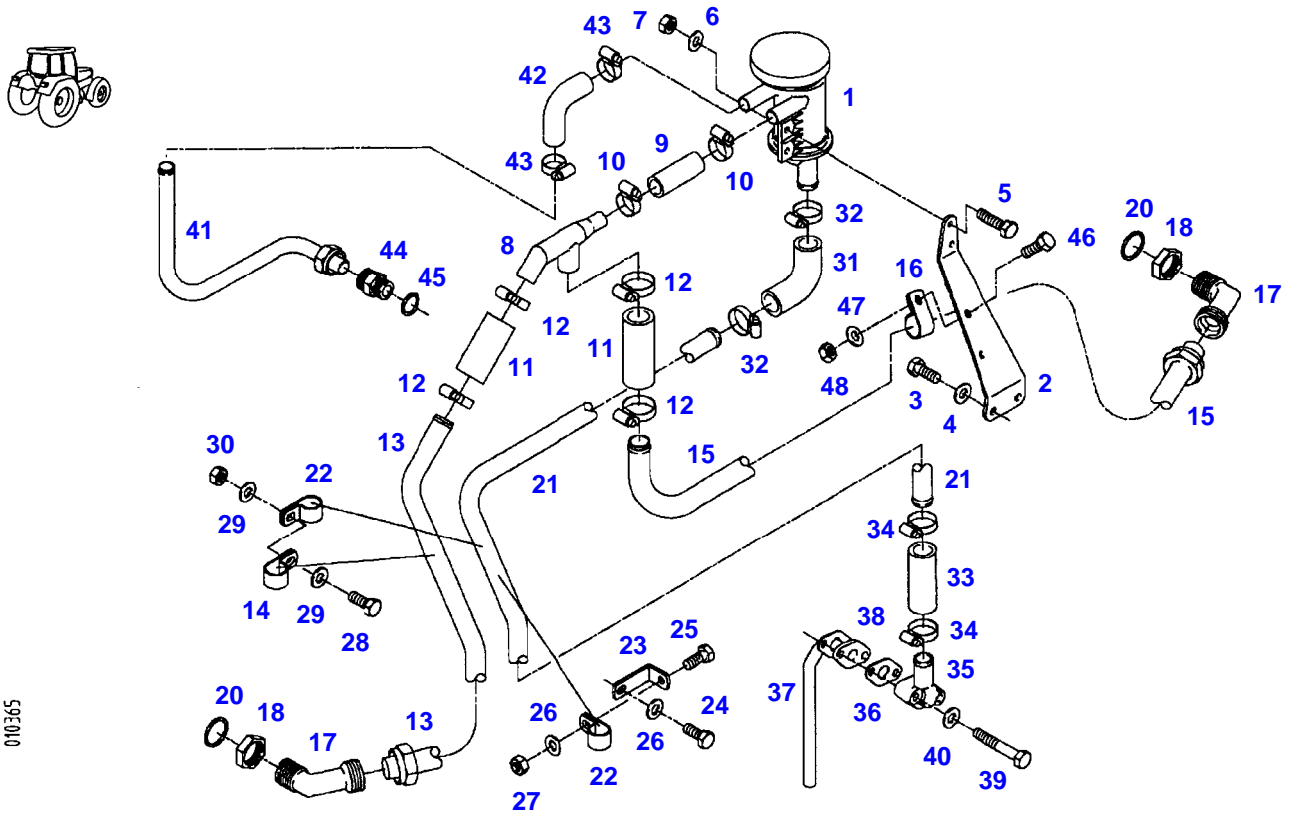


010745

Item	Part Number	Qty	Description Comments	Technical Specification
1	72497995	3	CYLINDER HEAD ><-2-7	
2	72310651	6	VALVE GUIDE INTAKE 16,00MM	
	72310652	6	VALVE GUIDE INTAKE 16,25MM	
3	72310653	6	VALVE GUIDE EXHAUST 16,00MM	
	72310654	6	VALVE GUIDE EXHAUST 16,25MM	
4	72315032	6	VALVE SEAT RING INTAKE 51,11MM	
	72315033	6	VALVE SEAT RING INTAKE 51,31MM	
5	72315034	6	VALVE SEAT RING EXHAUST 44,10MM	
	72315035	6	VALVE SEAT RING EXHAUST 44,30MM	
6	72311428	3	COVER	
7	72311429	9	COVER	
8	72312241	3	CYLINDER HEAD GASKET <>	
	72426464	8	HEX BOLT, WITH COLLAR	
9	72426464	24	HEX BOLT, WITH COLLAR MUST NOT BE RETIGHTENED SCREWS-TO BE USED ONCE ONLY ENG.NO. <-- 162 7200 000 <> --> 162 8420 999 <> <>	
	72423094	1	MARKING PLATE	
11	72311630	3	CYLINDER HEAD COVER	
12	72317854	3	SEAL	
13	72315520	18	HEX HEAD BOLT	DIN 931-M6X40-10.9-ZNPHR3F
	72416968	18	TORX SCREW	
14	72311787	18	DISC NOT USED WITH TORX SCREW	DIN 125-6,4-ST.A3L
17	72314423	1	LABEL D,GB ENG.NO. <-- 162 7200 000 --> 162 8420 999	
	72314424	1	LABEL F,E ENG.NO. <-- 162 7200 000 --> 162 8420 999	
18	72314425	1	LABEL D,GB ENG.NO. <-- 162 7200 000 --> 162 8420 999	
	72314426	1	LABEL F,E ENG.NO. <-- 162 7200 000 --> 162 8420 999	

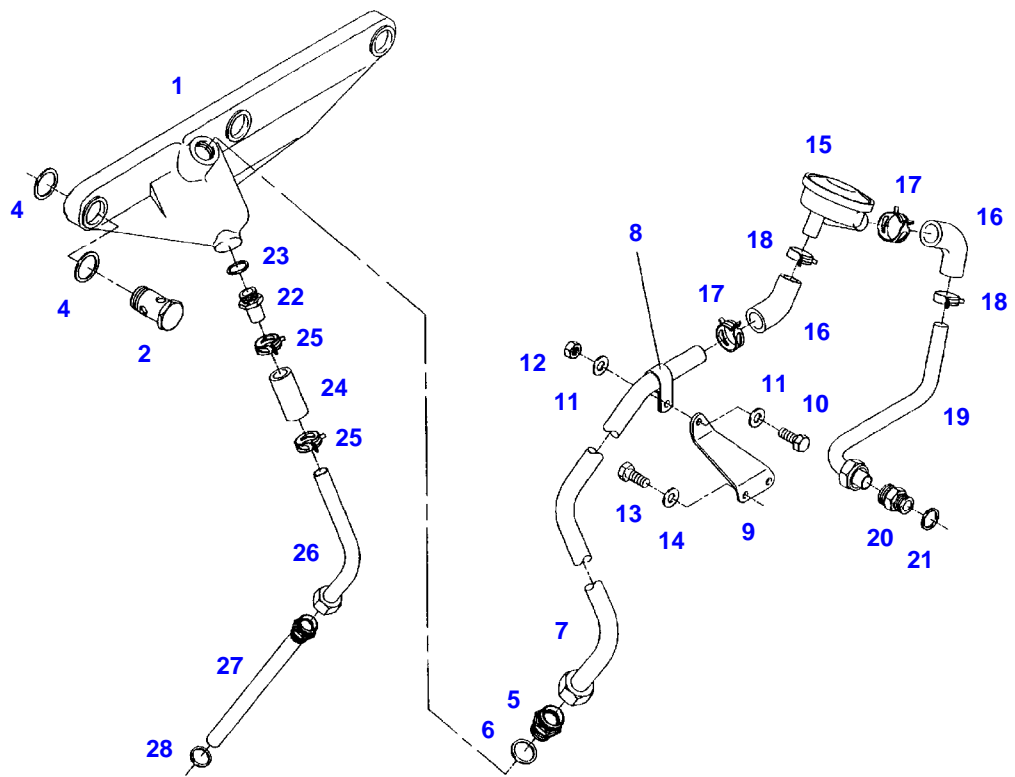
Item	Part Number	Qty	Description Comments	Technical Specification
19	72312366	3	SEAL KIT <>	
	72426464	8	HEX BOLT, WITH COLLAR	
20	72423094	1	MARKING PLATE	

OEM HORSCH 901/01001-99999
ENGINE BREATHING



Item	Part Number	Qty	Description Comments	Technical Specification
1	72317041	1	OIL SEPARATOR VALVE	
2	72316656	1	RETAINER	
3	72315651	2	HEX HEAD BOLT	DIN 933 M8X22-8.8A3L
4	72311788	2	DISC	DIN 125-8,4-ST.A3L
5	72315631	2	HEX HEAD BOLT	DIN 933 M6X20-8.8A3L
6	72311828	2	DISC	DIN 7349-6,4-ST.A3L
7	72313266	2	NUT	DIN 934 M6-8A3L
8	72312014	1	BREATHER MANIFOLD	
9	72450423	1	PRESSURE HOSE 1X 100MM CUT TO LENGHT	L=120
10	72316564	2	CLIP	
11	72450424	1	PRESSURE HOSE 1X 200MM CUT TO LENGHT	L=220
12	72316561	4	CLIP	
13	72313052	1	BREATHER LINE ><14	
14	72311229	1	PIPE CLAMP	
15	72313053	1	BREATHER LINE ><16	
16	72311229	1	PIPE CLAMP	
17	72312015	2	ANGULAR ADAPTER	
18	72313257	2	NUT	
20	72315105	2	SEALING WASHER	DIN 7603 A30X36-CU
21	72316954	1	OIL RETURN LINE ><22	
22	72311210	2	PIPE CLAMP	
23	72316657	1	RETAINER	
24	72315650	1	HEX HEAD BOLT	DIN 933 M8X20-8.8A3L
25	72315650	1	HEX HEAD BOLT	DIN 933 M8X20-8.8A3L
26	72311788	2	DISC	DIN 125-8,4-ST.A3L
27	72313268	1	NUT	DIN 934 M8-8A3L
28	72315650	1	HEX HEAD BOLT	DIN 933 M8X20-8.8A3L
29	72311788	2	DISC	DIN 125-8,4-ST.A3L
30	72313268	1	NUT	DIN 934 M8-8A3L
31	72313642	1	MOLDED PIECE	
32	72316565	2	CLIP	
33	72430361	1	PRESSURE HOSE 1X 100MM CUT TO LENGHT	L=240 FWN66041-DN22-B10
34	72316565	2	CLIP	
35	72312122	1	FLANGE	
36	72312256	1	SEAL	
37	72316955	1	OIL RETURN LINE	
38	72312256	1	SEAL	
39	72315665	2	HEX HEAD BOLT	DIN 933 M8X45-8.8A3L
40	72311788	2	DISC	DIN 125-8,4-ST.A3L
41	72313054	1	BREATHER LINE	
42	72435869	1	RUBBER ARCH	
43	72316564	2	CLIP	
44	72316291	1	THREADED STUD	
45	72315101	1	SEALING WASHER	DIN 7603 A22X27-CU
46	72315650	1	HEX HEAD BOLT	DIN 933 M8X20-8.8A3L
47	72311788	1	DISC	DIN 125-8,4-ST.A3L
48	72313268	1	NUT	DIN 934 M8-8A3L

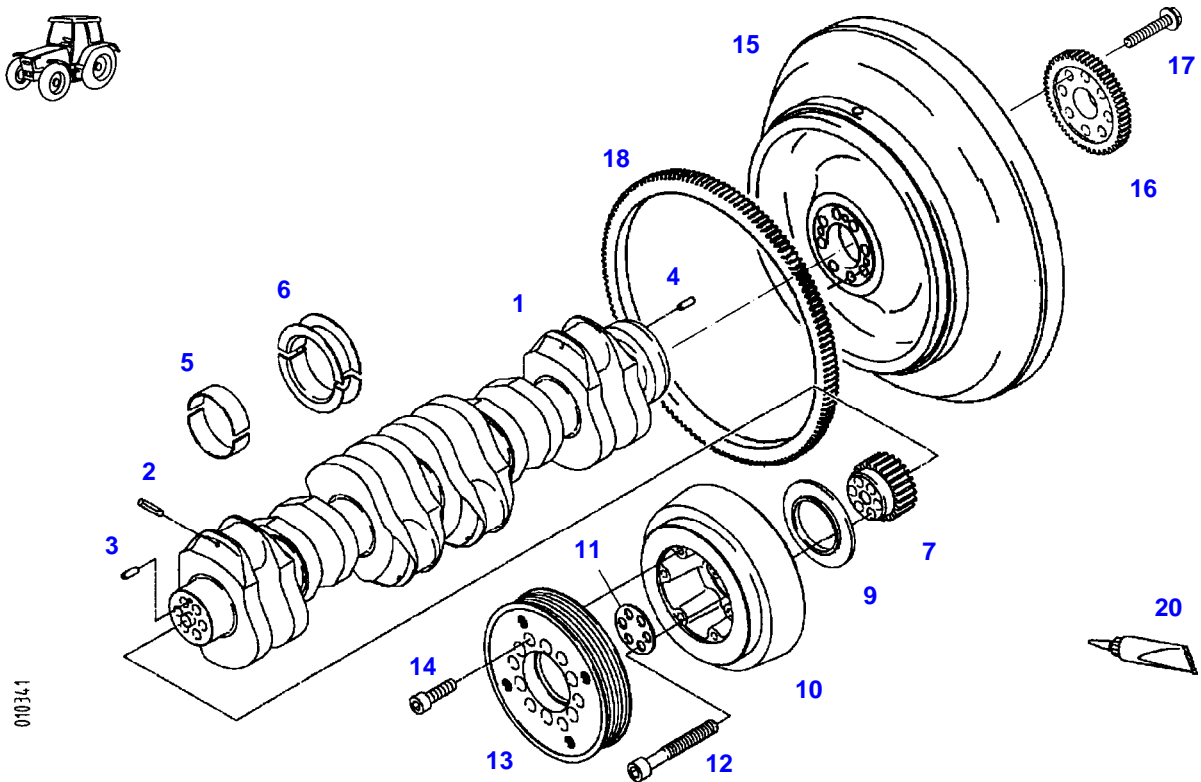
OEM HORSCH 901/01001-99999
ENGINE BREATHING



040597

Item	Part Number	Qty	Description Comments	Technical Specification
1	72422677	1	BREATHER MANIFOLD	
2	72417073	3	BANJO BOLT	
4	72417074	6	SEALING WASHER	
5	72417169	1	THREADED STUD	
6	72315104	1	SEALING WASHER	DIN 7603 A26X31-CU
7	72422679	1	BREATHER LINE ><8	
8	72311210	1	PIPE CLAMP	
9	72422680	1	RETAINER	
10	72315651	1	HEX HEAD BOLT	DIN 933 M8X22-8.8A3L
11	72311788	2	DISC	DIN 125-8,4-ST.A3L
12	72313268	1	NUT	DIN 934 M8-8A3L
13	72315651	2	HEX HEAD BOLT	DIN 933 M8X22-8.8A3L
14	72311788	2	DISC	DIN 125-8,4-ST.A3L
15	72317038	1	CONTROL VALVE	
16	72417078	2	HOSE PIECE	
17	72316562	2	CLIP	
18	72316564	2	CLIP	
19	72422681	1	BREATHER LINE	
20	72417075	1	THREADED STUD	
21	72315101	1	SEALING WASHER	DIN 7603 A22X27-CU
22	72422682	1	SCREW NECK	
23	72315101	1	SEALING WASHER	DIN 7603 A22X27-CU
24	72312631	1	HOSE	
25	72316564	2	CLIP	
26	72422683	1	OIL RETURN LINE	
27	72417080	1	OIL RETURN LINE	
28	72315102	1	SEALING WASHER	DIN 7603 A24X29-CU

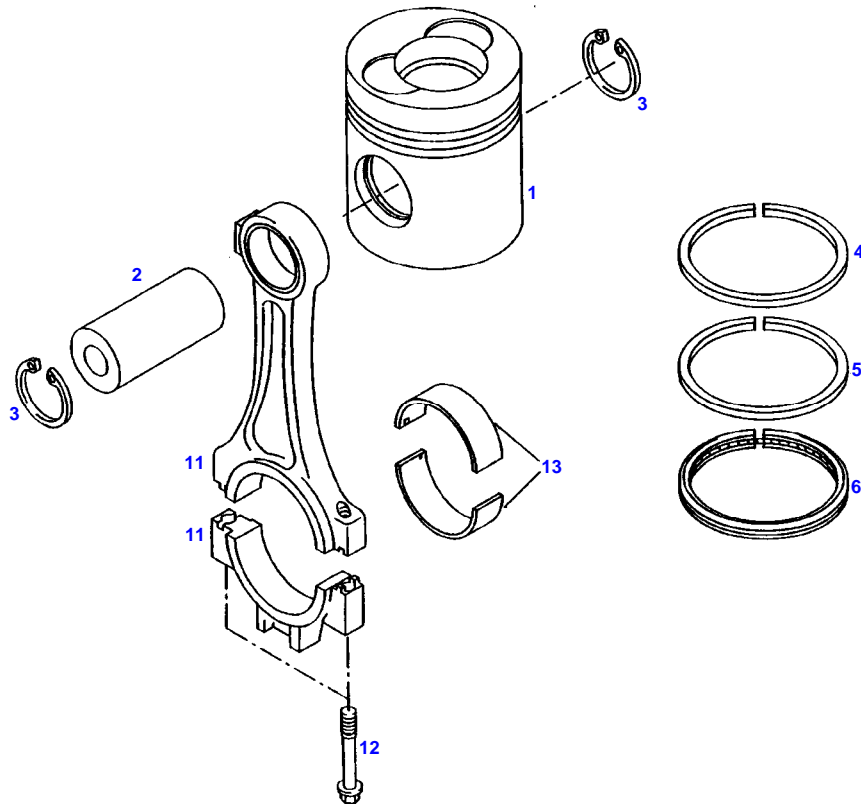
OEM HORSCH 901/01001-99999
CRANKSHAFT



010341

Item	Part Number	Qty	Description Comments	Technical Specification
1	72311579	1	CRANKSHAFT ><2-4	
2	72313722	6	DOWEL PIN	
3	72313817	1	TENSIONING PIN	ISO8752-6X16-A-ST-ZNPHR10F-KOE
4	72313849	1	TENSIONING PIN	ISO8750-8X24-ST
5	72310327	6	MAIN BEARING 77,00MM	
	72310328	6	MAIN BEARING 76,90MM	
	72310329	6	MAIN BEARING 76,75MM	
	72310330	6	MAIN BEARING 76,50MM	
	72310331	6	MAIN BEARING 76,25MM	
	72310332	6	MAIN BEARING 76,00MM	
6	72310232	1	TIGHT-FIT BEARING 77,00MM	
	72310233	1	TIGHT-FIT BEARING 76,90MM	
	72310234	1	TIGHT-FIT BEARING 76,75MM	
	72310235	1	TIGHT-FIT BEARING 76,50MM	
	72416971	1	TIGHT-FIT BEARING 76,25MM	
	72416972	1	TIGHT-FIT BEARING 76,00MM	
7	72316540	1	CRANKSHAFT GEAR ENG.NO. --> 162 9031 999 <> <>	
	72416958	1	CAM WHEEL	
9	72315016	1	SPRAYER RING	
10	72311632	1	VIBRATION DAMPER	
11	72311934	1	DISC	
12	72315396	6	PAN HEAD SCREW	
13	72314868	1	V BELT SHEAVE	
14	72315495	6	PAN HEAD SCREW	DIN 912 M10X30-10.9
15	72347080	1	FLYWHEEL ><18 ENG.NO. --> 162 8634 999	
	72312182	1	FLYWHEEL ><18 ENG.NO. <-- 162 8635 001	
16	72414307	1	HUB ENG.NO. --> 162 8634 999	
17	72347081	8	HEX BOLT, WITH COLLAR M14X1,5X70 ENG.NO. --> 162 8634 999	
	72315372	8	HEX BOLT, WITH COLLAR M14X1,5X50 ENG.NO. <-- 162 8635 001	
18	72312391	1	RING GEAR	
20	72311272	1	SEALING COMPOUND	

OEM HORSCH 901/01001-99999
PISTON



8735

Thank you so much for reading.
Please click the “Buy Now!”
button below to download the
complete manual.



After you pay.

You can download the most
perfect and complete manual in
the world immediately.

Our support email:

ebooklibonline@outlook.com