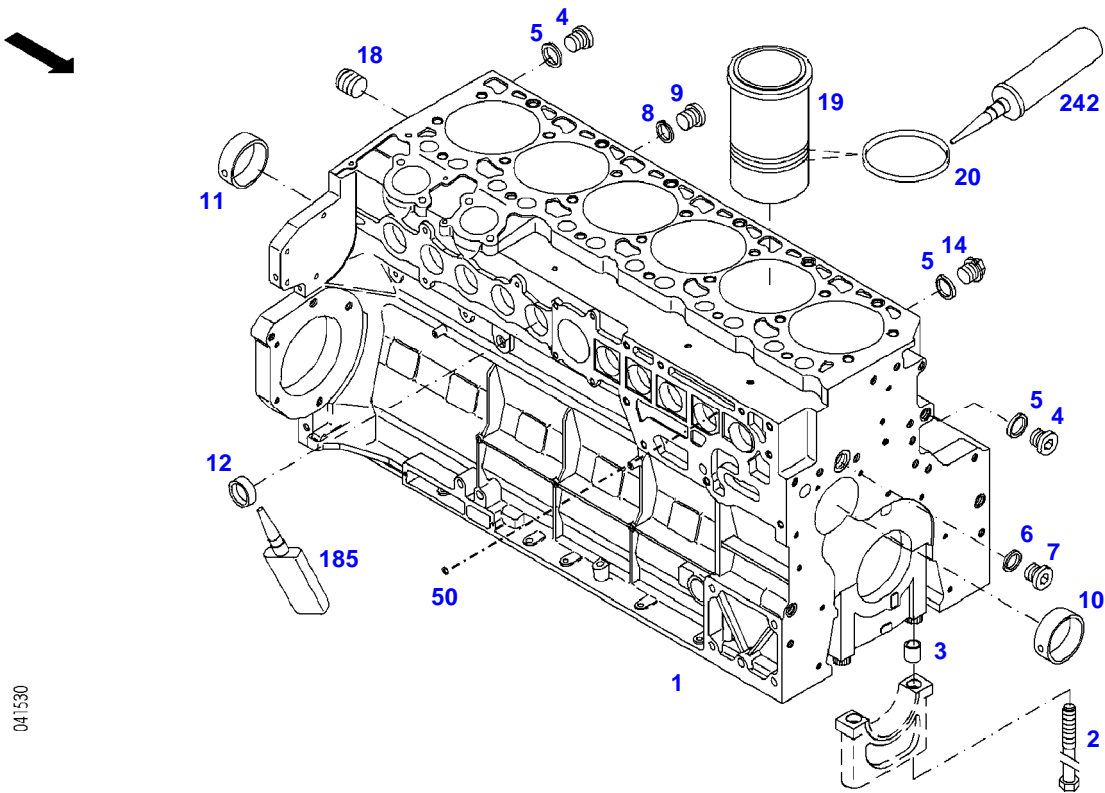


<b>Page Number</b>	<b>Page Title</b>	<b>Page Reference</b>
01-000-TOC	ENGINE, FUEL AND EXHAUST SYSTEM	01-000-TOC
02-000-TOC	AXLES	02-000-TOC
03-000-TOC	STEERING SYSTEM	03-000-TOC
04-000-TOC	DRIVE TRAIN SYSTEM	04-000-TOC
05-000-TOC	COMPRESSED AIR SYSTEM	05-000-TOC
06-000-TOC	HYDRAULIC SYSTEM	06-000-TOC
07-000-TOC	ELECTRICAL SYSTEM	07-000-TOC
08-000-TOC	CAB	08-000-TOC
09-000-TOC	AIR CONDITIONING AND HEATING SYSTEM	09-000-TOC
10-000-TOC	CHASSIS	10-000-TOC
11-000-TOC	WHEELS	11-000-TOC
12-000-TOC	IMPLEMENT LIFT SYSTEM FRONT	12-000-TOC
13-000-TOC	IMPLEMENT LIFT SYSTEM REAR	13-000-TOC
14-000-TOC	ACCESSORIES	14-000-TOC

FENDT 927NA (925/00101-99999)  
F41530



041530

Item	Part Number	Qty	Description Comments	Technical Specification
	72454879	1	ENGINE PLEASE ORDER WITH ENGINE NO. ONLY ! <-- 925/0101 --> 925/0200 <-- 925/1001 --> 925/3997	TCD2013L064V
	72456104	1	REMANUFACTURED ENGINE ENGINE EXCHANGE PLEASE ORDER WITH ENGINE NO. ONLY ! <-- 925/0101 --> 925/0200 <-- 925/1001 ENG.NO. --> 10862201	
	72604347	1	REMANUFACTURED SHORT BLOCK ENGINE <-- 925/0101 --> 925/0200 <-- 925/1001 ENG.NO. --> 10862201	
	72609455	1	REMANUFACTURED LONG BLOCK ENGINE  INCLUDING CYLINDER HEAD <-- 925/0101 --> 925/0200 <-- 925/1001 ENG.NO. --> 10862201	INCLUDING CYLINDER HEAD
	72494607	1	REMANUFACTURED ENGINE ENGINE EXCHANGE PLEASE ORDER WITH ENGINE NO. ONLY ! ENG.NO. <-- 10862202 --> 925/3997	
	72604351	1	REMANUFACTURED SHORT BLOCK ENGINE ENG.NO. <-- 10862202 --> 925/3997	
	72609457	1	REMANUFACTURED LONG BLOCK ENGINE  INCLUDING CYLINDER HEAD ENG.NO. <-- 10862202 --> 925/3997	INCLUDING CYLINDER HEAD
	72487635	1	ENGINE PLEASE ORDER WITH ENGINE NO. ONLY ! <-- 925/3998	TCD2013L064V
	72604351	1	REMANUFACTURED SHORT BLOCK ENGINE <-- 925/3998	
	72609457	1	REMANUFACTURED LONG BLOCK ENGINE  <-- 925/3998	INCLUDING CYLINDER HEAD
1	72474386	1	CRANKCASE ><2-12,14,18-20	
2	72451992	14	SCREW	
3	72451993	14	ADAPTER BUSH	
4	72315438	2	PLUG SCREW	DIN 908 M14X1,5-ST
5	72315094	3	SEALING WASHER	DIN 7603 A14X18-CU
6	72315101	1	SEALING WASHER	DIN 7603 A22X27-CU
7	72315442	1	PLUG	DIN 908 M22X1,5-ST
8	72315104	1	SEALING WASHER	DIN 7603 A26X31-CU
9	72373957	1	SCREW	DIN 908-M26X1,5-ST-A3L
10	72451995	6	BEARING BUSHING	
11	72451996	1	BEARING BUSHING	
12	72325325	10	CORE HOLE PLUG	
14	72315799	1	PLUG	DIN 7604 AM14X1,5-A3L

Fendt

FENDT 927NA (925/00101-99999)

F925105

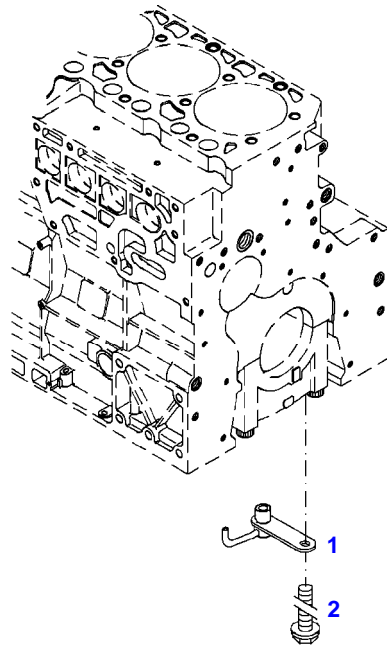
CRANKCASE

Page01-0001

Item	Part Number	Qty	Description Comments	Technical Specification
18	72416465	1	PLUG M22X1,5	
19	72451997	6	CYLINDER LINER ><20	
20	72415821	12	SEAL 112X3MM	
50	72614774	X	SEALING PLUG	4X4,5MM
185	72325403	1	SAFE.LOCK AGENT	
242	72325276	1	INSTALLATION AIDS	

FENDT 927NA (925/00101-99999)  
35631

---



035631

---

Fendt

FENDT 927NA (925/00101-99999)

F925105

CRANKCASE

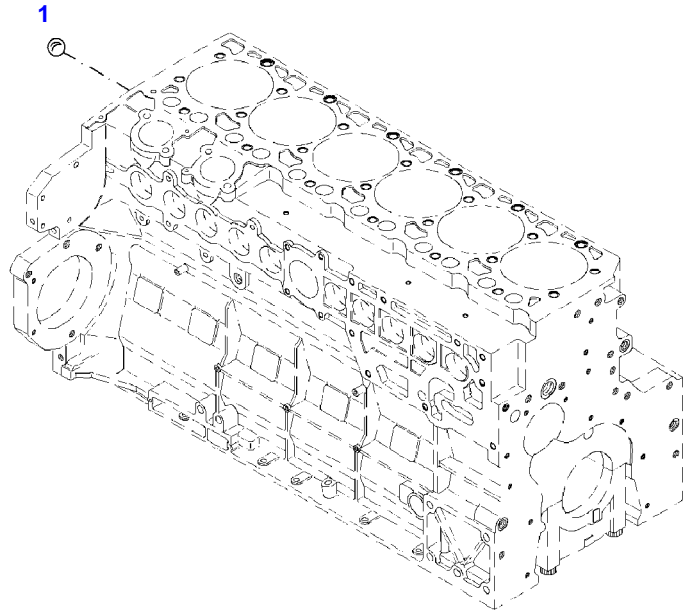
Page01-0002

---

Item	Part Number	Qty	Description Comments	Technical Specification
			<b>PISTON COOL.NOZZLE</b>	
1	72451998	6	PISTON COOLING JET	
2	72605244	6	HEXAGONAL HEAD BOLT M8X35	M8X35

FENDT 927NA (925/00101-99999)  
41038

---



041038

---

Fendt

FENDT 927NA (925/00101-99999)

F925105

CRANKCASE

Page01-0003

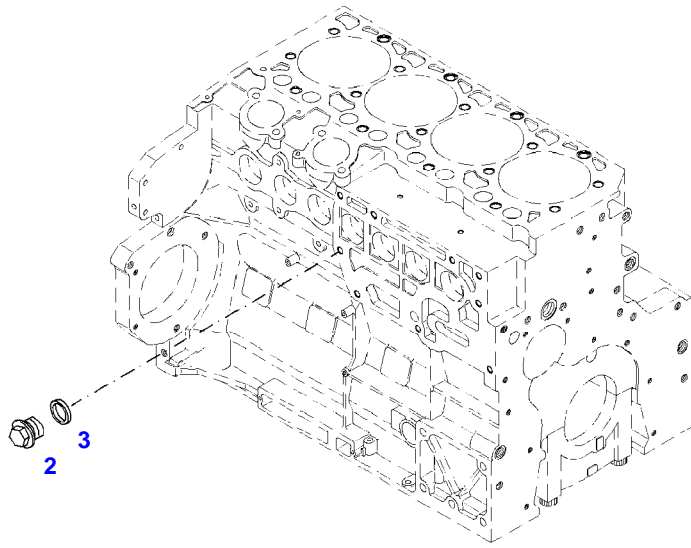
---

Item	Part Number	Qty	Description Comments
			BLANKING PARTS ENGINE NUMBER <-- 10394585 --> 10433467
1	72439920	X	BALL



FENDT 927NA (925/00101-99999)  
35632

---



035632

---

Fendt

FENDT 927NA (925/00101-99999)

F925105

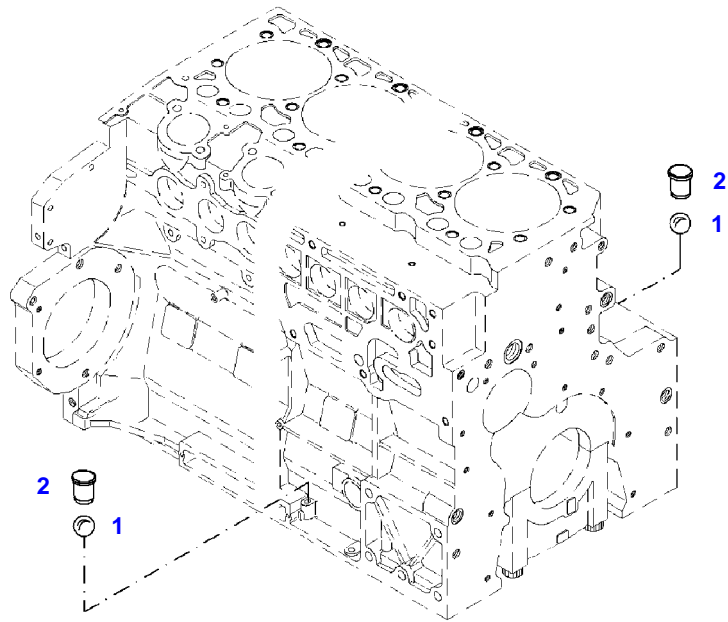
CRANKCASE

Page01-0004

---

Item	Part Number	Qty	Description Comments	Technical Specification
<b>BLANKING PARTS</b>				
2	72315799	1	PLUG	DIN 7604 AM14X1,5-A3L
3	72315094	1	SEALING WASHER	DIN 7603 A14X18-CU

FENDT 927NA (925/00101-99999)  
41229



041229

---

Fendt

FENDT 927NA (925/00101-99999)

F925105

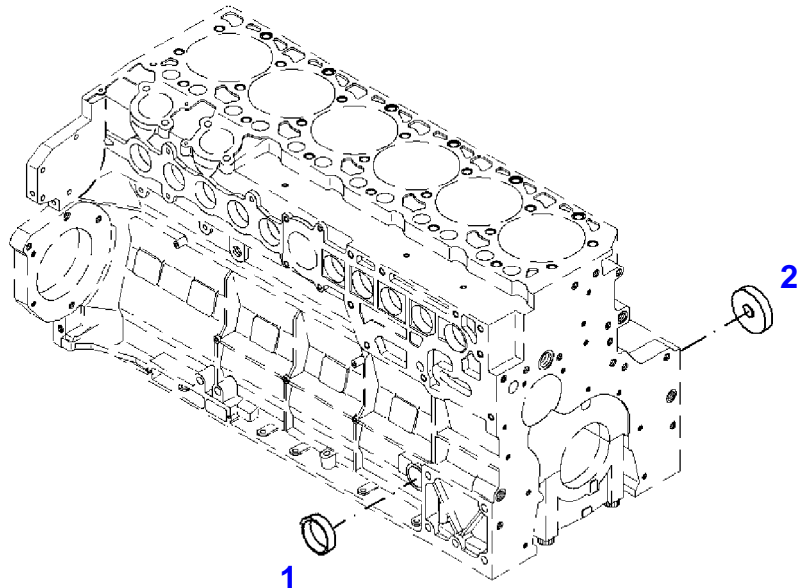
CRANKCASE

Page01-0005

---

Item	Part Number	Qty	Description Comments
			LOCKING PLUG
1	72484231	2	BALL
2	72611452	2	LOCKING PLUG

FENDT 927NA (925/00101-99999)  
40930



040930

---

Fendt

FENDT 927NA (925/00101-99999)

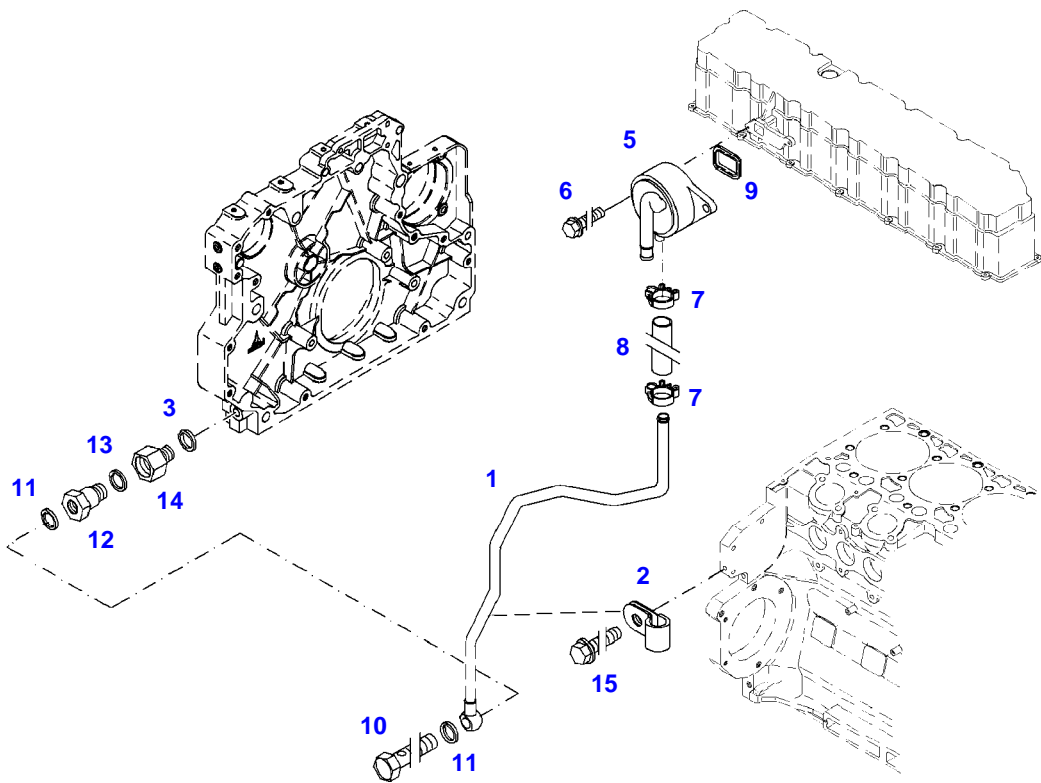
F925105

CRANKCASE

Page01-0006

Item	Part Number	Qty	Description Comments
			<b>BLANKING PARTS</b>
1	72327066	1	COVER
2	72437548	1	COVER

FENDT 927NA (925/00101-99999)  
40970

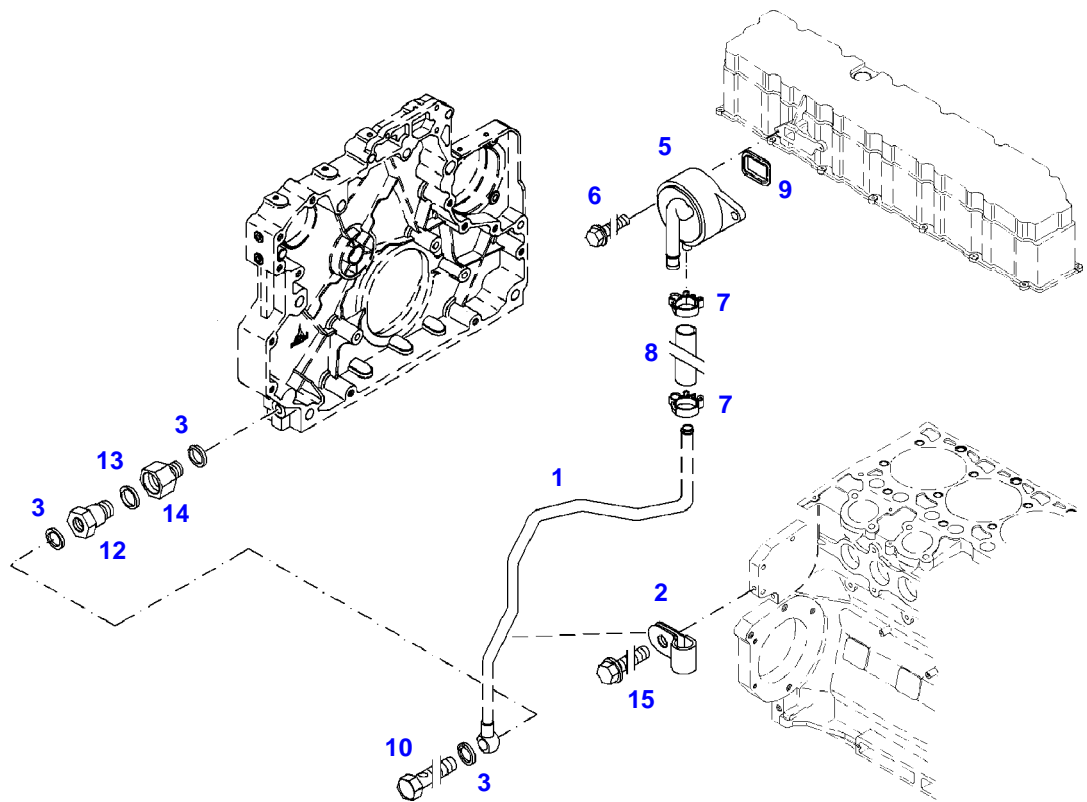


040970

Item	Part Number	Qty	Description Comments	Technical Specification
			<b>ENGINE NUMBER</b> --> 10343499	
1	72438755	1	RETURN LINE ><10,11 <>	
	72485771	1	LOCK VALVE	
2	72452000	1	PIPE CLAMP	
3	72315090	1	SEALING WASHER	DIN 7603 A12X15,5-CU
5	72437250	1	BREATHER ><9	
6	72325293	2	HEXAGONAL HEAD BOLT M8X30	M8X30
7	72325537	2	HOSE CLIP	
8	72452001	1	RUBBER HOSE	
9	72455795	1	SEAL	
10	72323517	1	BANJO BOLT	
11	72315092	2	SEALING WASHER	DIN 7603 A12X16-CU
12	72452002	1	CHECK VALVE <-- F946.201.210.140 1X <>	
	72438755	1	RETURN LINE	
13	72452003	1	SEALING WASHER	
14	72452004	1	ADAPTER	
15	72415878	1	HEXAGONAL HEAD BOLT M8X16	



FENDT 927NA (925/00101-99999)  
40971

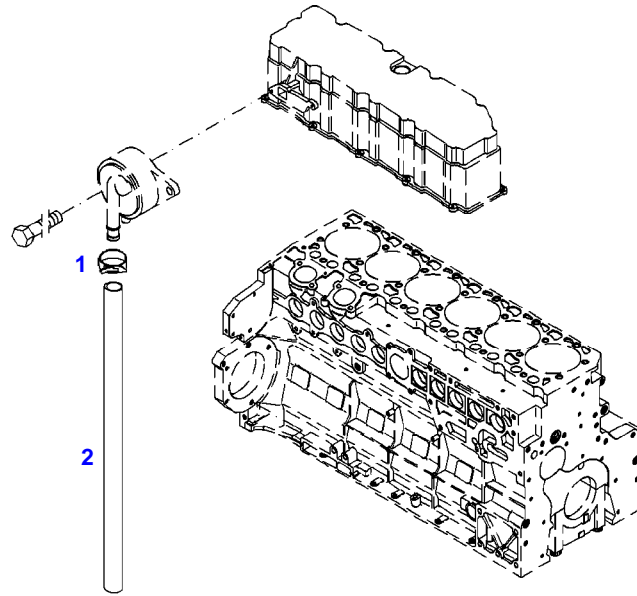


040971

Item	Part Number	Qty	Description Comments	Technical Specification
			<b>ENGINE NUMBER</b> <-- 10343500	
1	72438755	1	RETURN LINE ><2,3,10	
2	72454982	1	PIPE CLAMP	
3	72315090	3	SEALING WASHER	DIN 7603 A12X15,5-CU
5	72437250	1	BREATHER ><9	
6	72325293	2	HEXAGONAL HEAD BOLT M8X30	M8X30
7	72607524	2	HOSE CLIP	
8	72452001	1	RUBBER HOSE	
9	72455795	1	SEAL	
10	72323517	1	BANJO BOLT	
12	72485771	1	LOCK VALVE ><13,14	
13	72315101	1	SEALING WASHER	DIN 7603 A22X27-CU
14	72452004	1	ADAPTER	
15	72415878	1	HEXAGONAL HEAD BOLT M6X16	

FENDT 927NA (925/00101-99999)  
35675

---



035675

Fendt

FENDT 927NA (925/00101-99999)

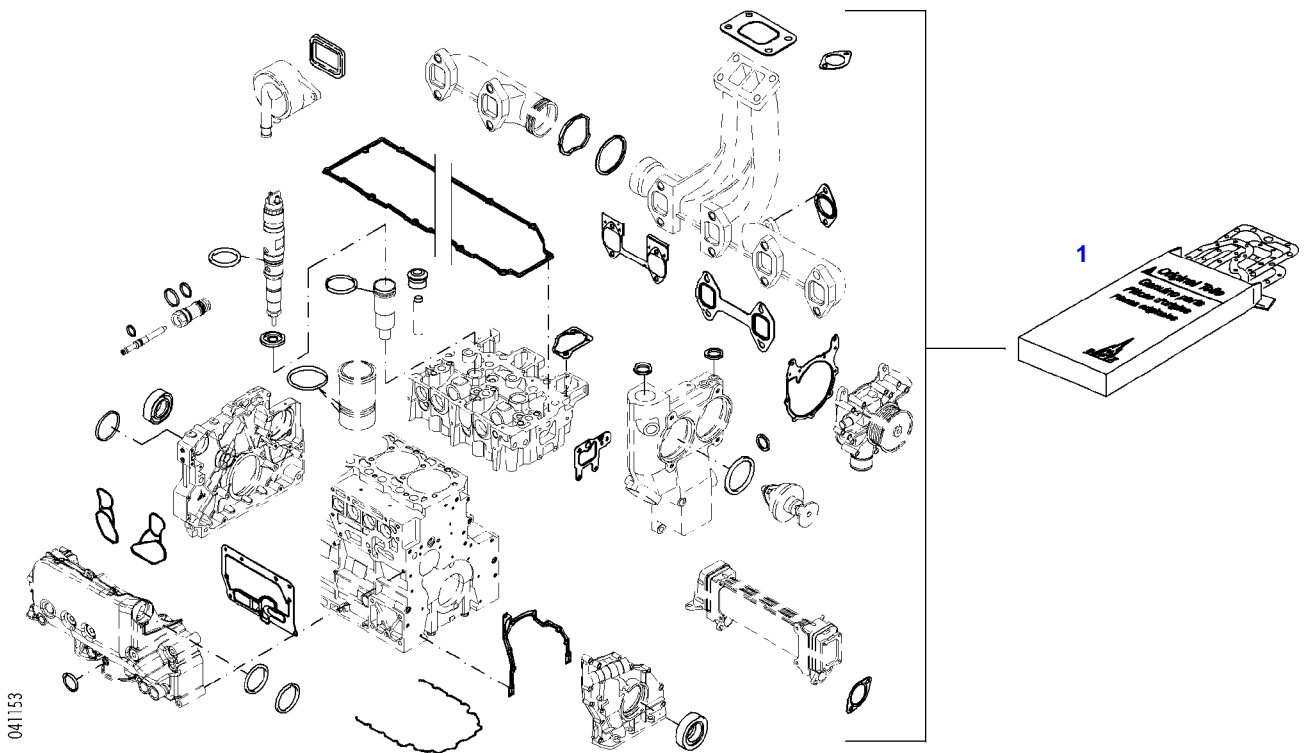
F925105

CRANKCASE BREATHER

Page01-0009

Item	Part Number	Qty	Description Comments	Technical Specification
			<b>BREATHER TUBE</b>	
1	72311167	1	HOSE CLIP	
2	72450415	1	HOSE	L=900 DIN73411-22X3,5 R

FENDT 927NA (925/00101-99999)  
41153



---

Fendt

FENDT 927NA (925/00101-99999)

F925105

SET OF GASKETS

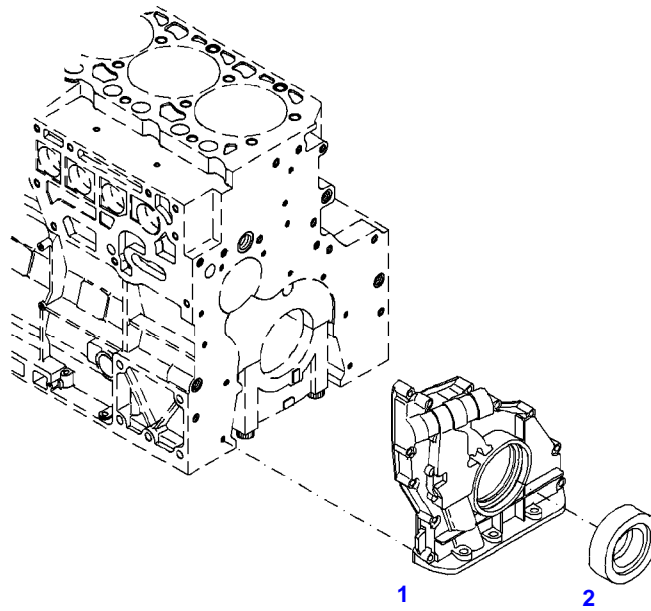
Page01-0010

---

Item	Part Number	Qty	Description Comments
			<b>ENGINE</b>
1	72452385	1	SEAL KIT WITHOUT CYLINDER HEAD GASKET

FENDT 927NA (925/00101-99999)  
35634

---



035634

---

Fendt

FENDT 927NA (925/00101-99999)

F925105

FRONT COVER

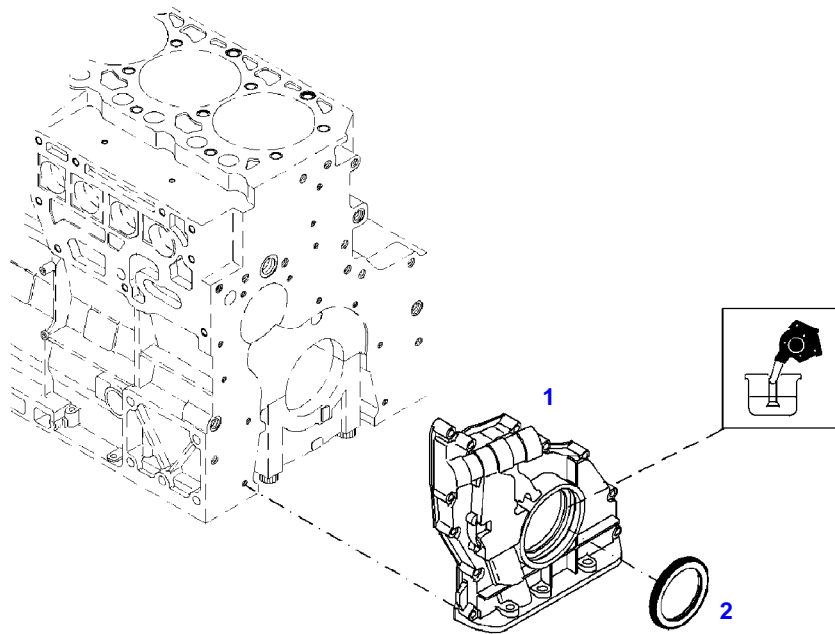
Page01-0011

---

Item	Part Number	Qty	Description Comments
			INTEGRATED OIL PUMP ENGINE NUMBER --> 10989249
1	72485249	1	CRANKCASE END COVER INTEGRATED OIL PUMP ><2
2	72485251	1	SHAFT SEAL



FENDT 927NA (925/00101-99999)  
41280



041280

---

Fendt

FENDT 927NA (925/00101-99999)

F925105

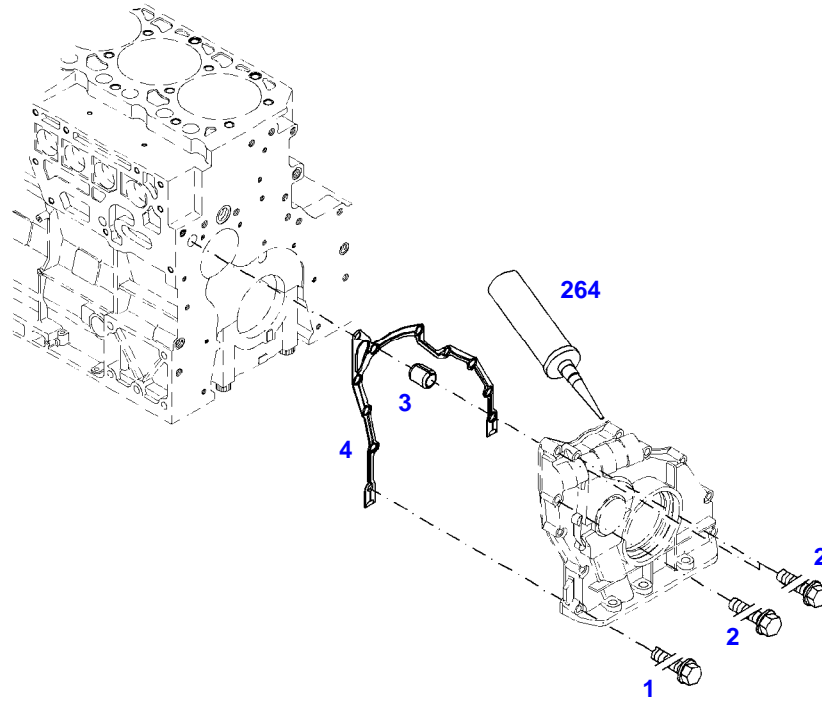
FRONT COVER

Page01-0012

---

Item	Part Number	Qty	Description Comments
			INTEGRATED OIL PUMP ENGINE NUMBER <-- 10989250
1	72485249	1	CRANKCASE END COVER ><2
2	72485251	1	SHAFT SEAL

FENDT 927NA (925/00101-99999)  
40931



040931

Thank you so much for reading.  
Please click the “Buy Now!”  
button below to download the  
complete manual.



After you pay.

You can download the most  
perfect and complete manual in  
the world immediately.

Our support email:

[ebooklibonline@outlook.com](mailto:ebooklibonline@outlook.com)