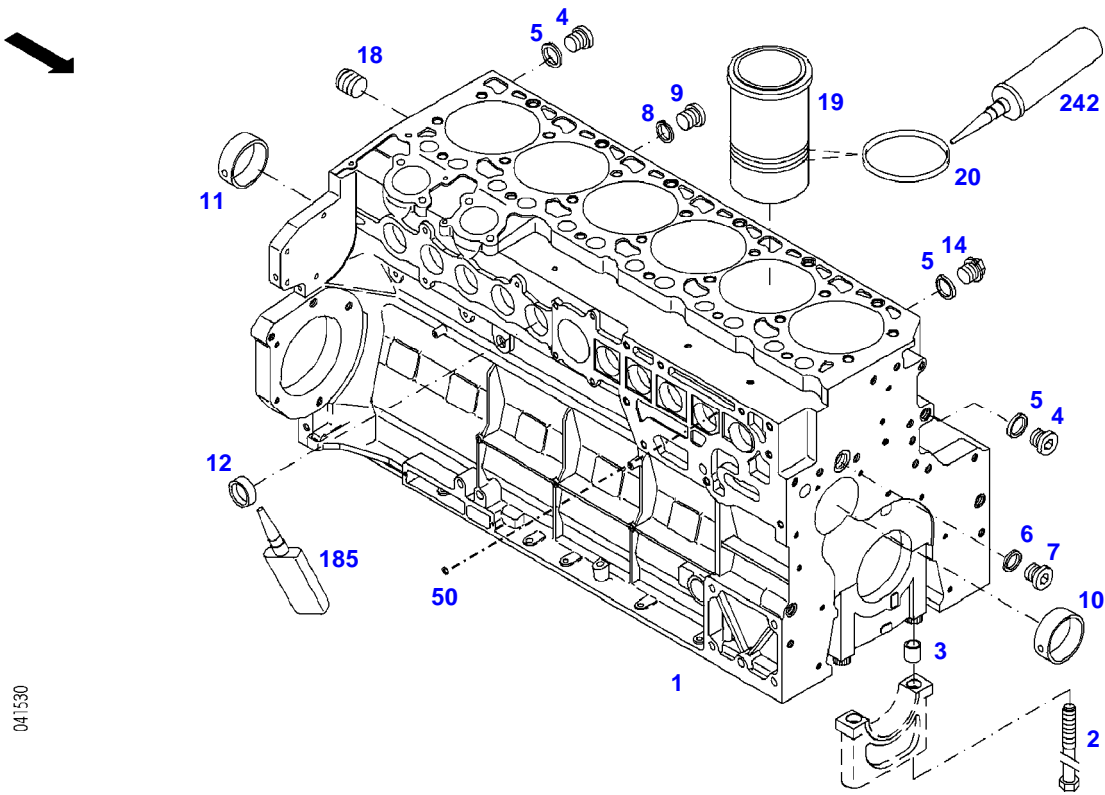


<b>Page Number</b>	<b>Page Title</b>	<b>Page Reference</b>
01-000-TOC	ENGINE, FUEL AND EXHAUST SYSTEM	01-000-TOC
02-000-TOC	AXLES	02-000-TOC
03-000-TOC	STEERING SYSTEM	03-000-TOC
04-000-TOC	DRIVE TRAIN SYSTEM	04-000-TOC
05-000-TOC	COMPRESSED AIR SYSTEM	05-000-TOC
06-000-TOC	HYDRAULIC SYSTEM	06-000-TOC
07-000-TOC	ELECTRICAL SYSTEM	07-000-TOC
08-000-TOC	CAB	08-000-TOC
09-000-TOC	AIR CONDITIONING AND HEATING SYSTEM	09-000-TOC
10-000-TOC	CHASSIS	10-000-TOC
11-000-TOC	WHEELS	11-000-TOC
12-000-TOC	IMPLEMENT LIFT SYSTEM FRONT	12-000-TOC
13-000-TOC	IMPLEMENT LIFT SYSTEM REAR	13-000-TOC
14-000-TOC	ACCESSORIES	14-000-TOC

FENDT 936NA (934/00101-99999)  
F41530



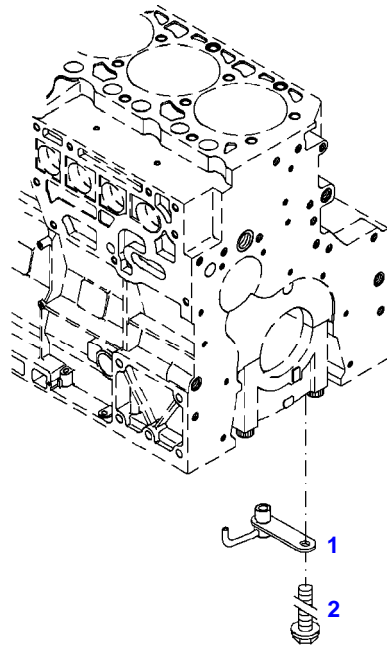
041530

Item	Part Number	Qty	Description Comments	Technical Specification
			<-- 934/1084	
	72454882	1	ENGINE PLEASE ORDER WITH ENGINE NO. ONLY ! --> 934/4852	TCD2013L064V
	72456109	1	REMANUFACTURED ENGINE ENGINE EXCHANGE PLEASE ORDER WITH ENGINE NO. ONLY ! ENG.NO. --> 10862201	
	72604347	1	REMANUFACTURED SHORT BLOCK ENGINE ENG.NO. --> 10862201	
	72609455	1	REMANUFACTURED LONG BLOCK ENGINE INCLUDING CYLINDER HEAD ENG.NO. --> 10862201	INCLUDING CYLINDER HEAD
	72494641	1	REMANUFACTURED ENGINE ENGINE EXCHANGE PLEASE ORDER WITH ENGINE NO. ONLY ! ENG.NO. <-- 10862202 --> 934/4852	
	72604351	1	REMANUFACTURED SHORT BLOCK ENGINE ENG.NO. <-- 10862202 --> 934/4852	
	72609457	1	REMANUFACTURED LONG BLOCK ENGINE  INCLUDING CYLINDER HEAD ENG.NO. <-- 10862202 --> 934/4852	INCLUDING CYLINDER HEAD
	72487647	1	ENGINE PLEASE ORDER WITH ENGINE NO. ONLY ! <-- 934/4853	TCD2013L064V
	72604351	1	REMANUFACTURED SHORT BLOCK ENGINE <-- 934/4853	
	72609457	1	REMANUFACTURED LONG BLOCK ENGINE  INCLUDING CYLINDER HEAD <-- 934/4853	INCLUDING CYLINDER HEAD
1	72474386	1	CRANKCASE ENG.NO. --> 11459043	
	72611454	1	CRANKCASE ENG.NO. <-- 11459044	
2	72451992	14	SCREW	
3	72451993	14	ADAPTER BUSH	
4	72315438	2	PLUG SCREW	DIN 908 M14X1,5-ST
5	72315094	3	SEALING WASHER	DIN 7603 A14X18-CU
6	72315101	1	SEALING WASHER	DIN 7603 A22X27-CU
7	72315442	1	PLUG	DIN 908 M22X1,5-ST
8	72315104	1	SEALING WASHER	DIN 7603 A26X31-CU
9	72373957	1	SCREW	DIN 908-M26X1,5-ST-A3L
10	72451995	6	BEARING BUSHING	
11	72451996	1	BEARING BUSHING	
12	72325325	10	CORE HOLE PLUG	
14	72315799	1	PLUG	DIN 7604 AM14X1,5-A3L
18	72416465	1	PLUG M22X1,5	

<b>Item</b>	<b>Part Number</b>	<b>Qty</b>	<b>Description Comments</b>	<b>Technical Specification</b>
19	72451997	6	CYLINDER LINER ><20	
20	72415821	12	SEAL 112X3MM	
50	72614774	X	SEALING PLUG	4X4,5MM
185	72325403	1	SAFE.LOCK AGENT	
242	72325276	1	INSTALLATION AIDS	

FENDT 936NA (934/00101-99999)  
35631

---



035631

---

Fendt

FENDT 936NA (934/00101-99999)

F934105

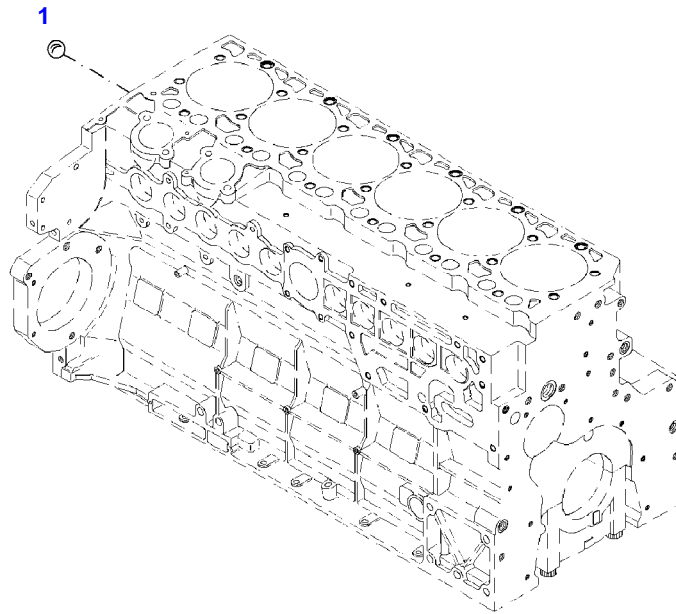
CRANKCASE

Page01-0003

Item	Part Number	Qty	Description Comments	Technical Specification
			<b>PISTON COOL.NOZZLE</b>	
1	72451998	6	PISTON COOLING JET	
2	72605244	6	HEXAGONAL HEAD BOLT M8X35	M8X35

FENDT 936NA (934/00101-99999)  
41038

---



041038

---

Fendt

FENDT 936NA (934/00101-99999)

F934105

CRANKCASE

Page01-0004

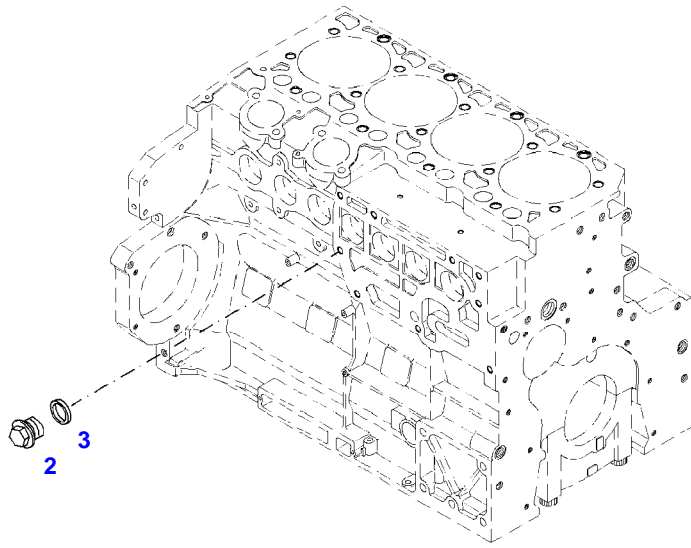
---

Item	Part Number	Qty	Description Comments
			BLANKING PARTS ENGINE NUMBER <-- 10394325 --> 10472799
1	72439920	X	BALL



FENDT 936NA (934/00101-99999)  
35632

---



035632

---

Fendt

FENDT 936NA (934/00101-99999)

F934105

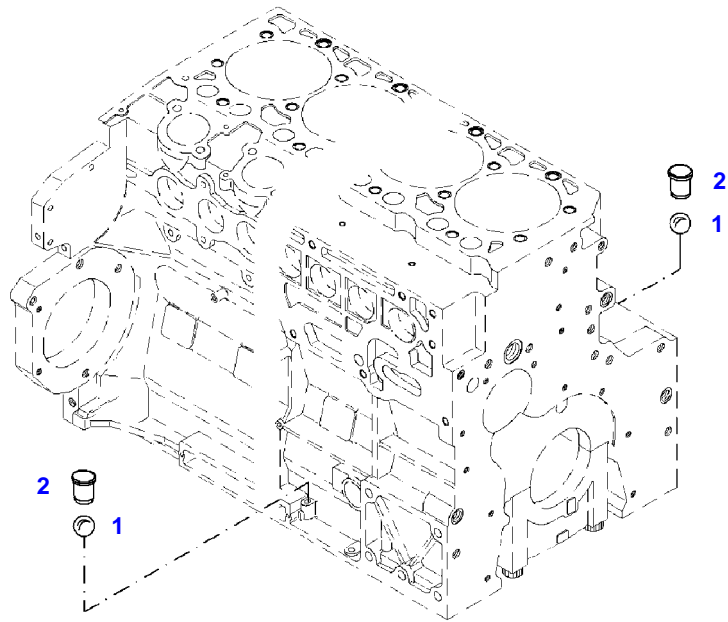
CRANKCASE

Page01-0005

---

Item	Part Number	Qty	Description Comments	Technical Specification
<b>BLANKING PARTS</b>				
2	72315799	1	PLUG	DIN 7604 AM14X1,5-A3L
3	72315094	1	SEALING WASHER	DIN 7603 A14X18-CU

FENDT 936NA (934/00101-99999)  
41229



041229

---

Fendt

FENDT 936NA (934/00101-99999)

F934105

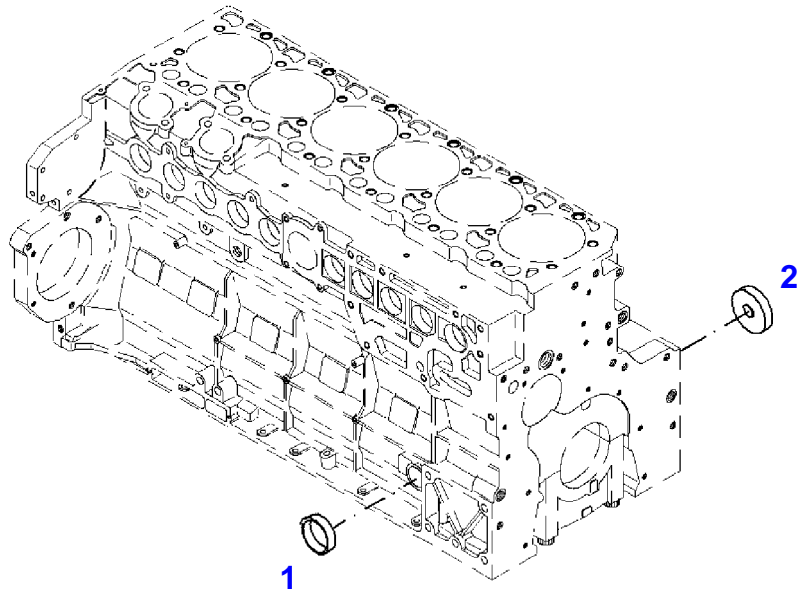
CRANKCASE

Page01-0006

---

Item	Part Number	Qty	Description Comments
			LOCKING PLUG
1	72484231	2	BALL
2	72611452	2	LOCKING PLUG

FENDT 936NA (934/00101-99999)  
40930



040930

---

Fendt

FENDT 936NA (934/00101-99999)

F934105

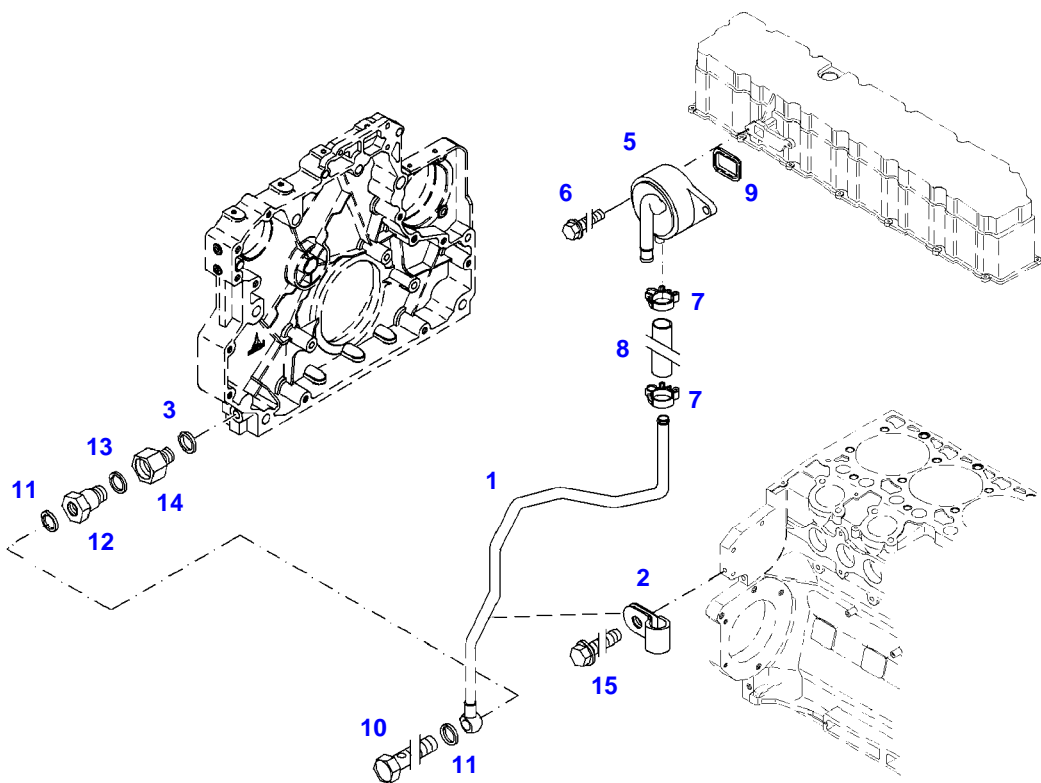
CRANKCASE

Page01-0007

---

Item	Part Number	Qty	Description Comments
			<b>BLANKING PARTS</b>
1	72327066	1	COVER
2	72437548	1	COVER

FENDT 936NA (934/00101-99999)  
40970

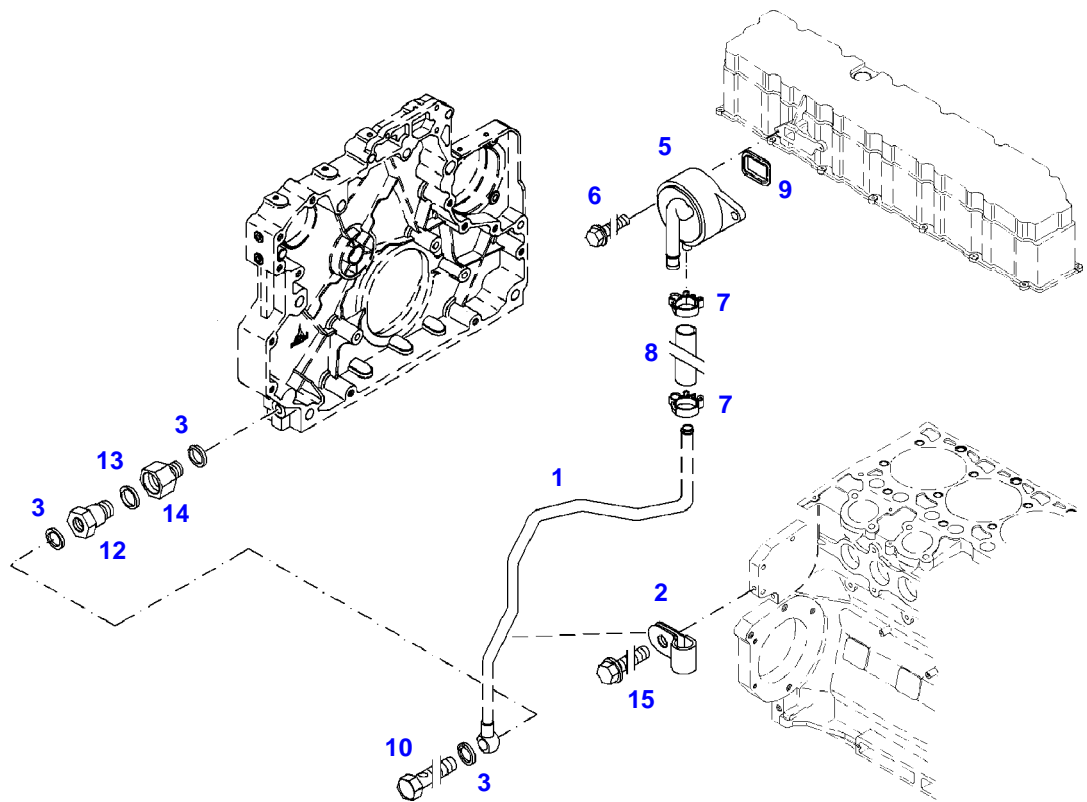


040970

Item	Part Number	Qty	Description Comments	Technical Specification
			<b>ENGINE NUMBER</b> --> 10343499	
1	72438755	1	RETURN LINE ><10,11 <>	
	72485771	1	LOCK VALVE	
2	72452000	1	PIPE CLAMP	
3	72315090	1	SEALING WASHER	DIN 7603 A12X15,5-CU
5	72437250	1	BREATHER ><9	
6	72325293	2	HEXAGONAL HEAD BOLT M8X30	M8X30
7	72325537	2	HOSE CLIP	
8	72452001	1	RUBBER HOSE	
9	72455795	1	SEAL	
10	72323517	1	BANJO BOLT	
11	72315092	2	SEALING WASHER	DIN 7603 A12X16-CU
12	72452002	1	CHECK VALVE <-- F946.201.210.140 1X <>	
	72438755	1	RETURN LINE	
13	72452003	1	SEALING WASHER	
14	72452004	1	ADAPTER	
15	72415878	1	HEXAGONAL HEAD BOLT M8X16	



FENDT 936NA (934/00101-99999)  
40971

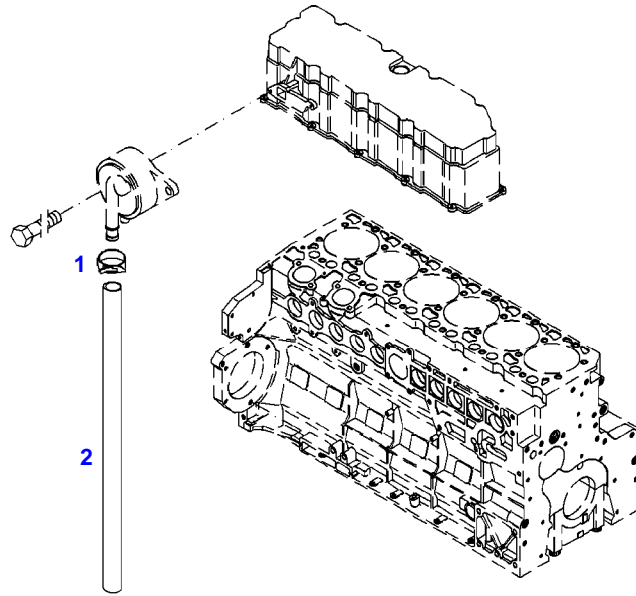


040971

Item	Part Number	Qty	Description Comments	Technical Specification
			<b>ENGINE NUMBER</b> <-- 10343500	
1	72438755	1	RETURN LINE ><2,3,10	
2	72454982	1	PIPE CLAMP	
3	72315090	3	SEALING WASHER	DIN 7603 A12X15,5-CU
5	72437250	1	BREATHER ><9	
6	72325293	2	HEXAGONAL HEAD BOLT M8X30	M8X30
7	72607524	2	HOSE CLIP	
8	72452001	1	RUBBER HOSE	
9	72455795	1	SEAL	
10	72323517	1	BANJO BOLT	
12	72485771	1	LOCK VALVE ><13,14	
13	72315101	1	SEALING WASHER	DIN 7603 A22X27-CU
14	72452004	1	ADAPTER	
15	72415878	1	HEXAGONAL HEAD BOLT M6X16	

FENDT 936NA (934/00101-99999)  
35675

---



035675

---

Fendt

FENDT 936NA (934/00101-99999)

F934105

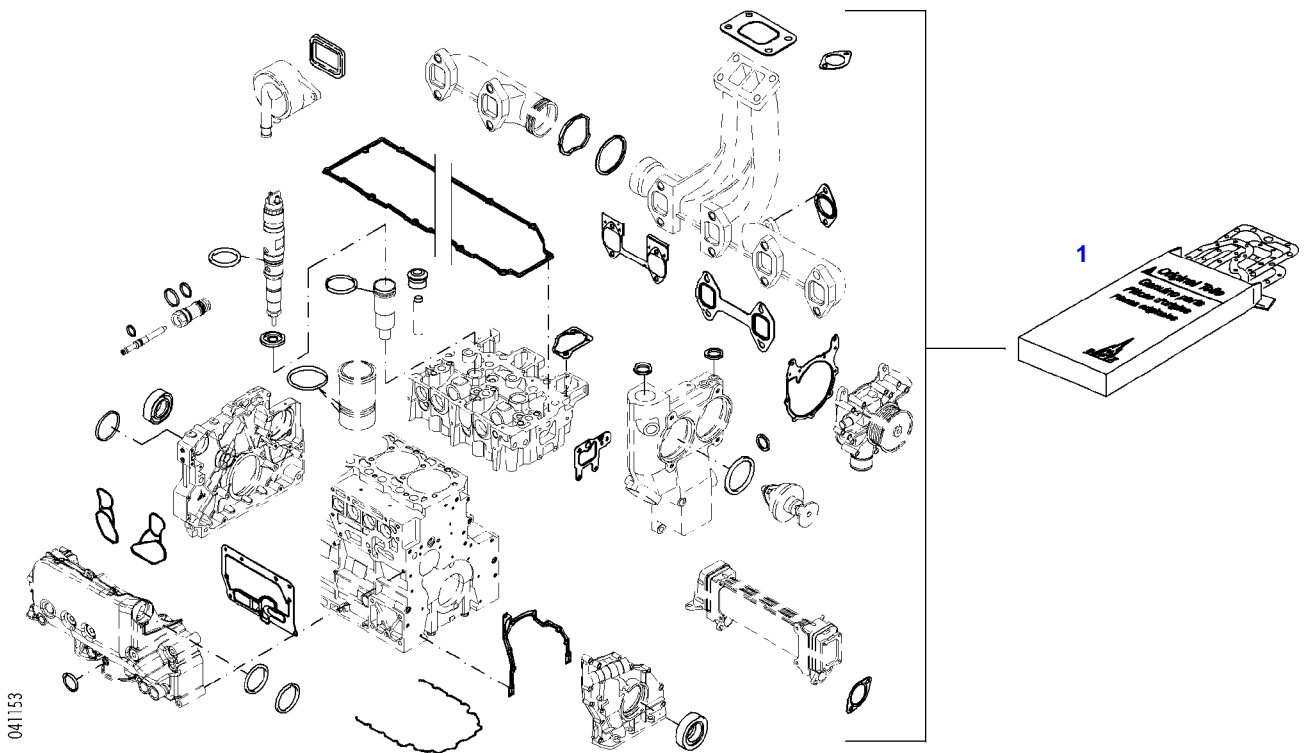
CRANKCASE BREATHER

Page01-0010

---

Item	Part Number	Qty	Description Comments	Technical Specification
			<b>BREATHER TUBE</b>	
1	72311167	1	HOSE CLIP	
2	72450415	1	HOSE	L=900 DIN73411-22X3,5 R

FENDT 936NA (934/00101-99999)  
41153



---

Fendt

FENDT 936NA (934/00101-99999)

F934105

SET OF GASKETS

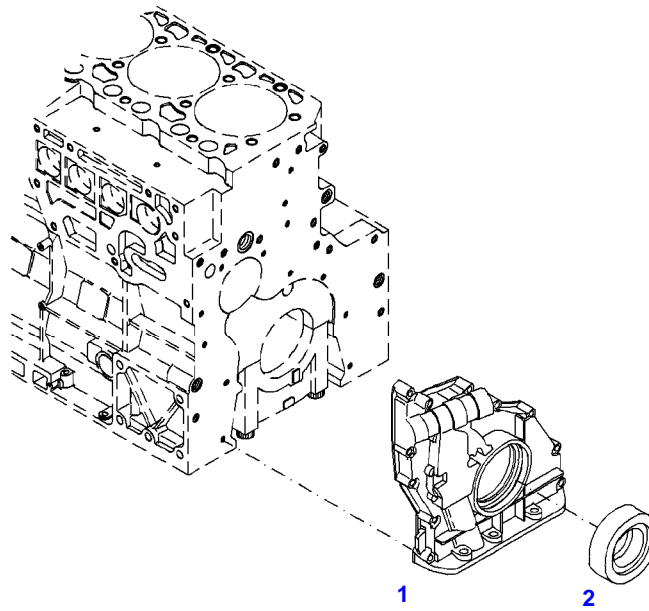
Page01-0011

---

Item	Part Number	Qty	Description Comments
			<b>ENGINE</b>
1	72452385	1	SEAL KIT WITHOUT CYLINDER HEAD GASKET

FENDT 936NA (934/00101-99999)  
35634

---



035634

Fendt

FENDT 936NA (934/00101-99999)

F934105

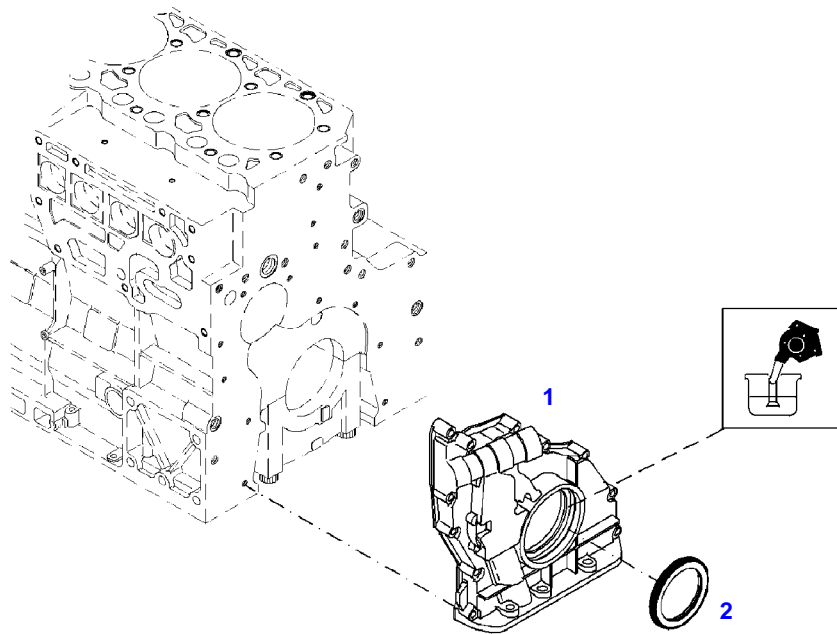
FRONT COVER

Page01-0012

Item	Part Number	Qty	Description Comments
			INTEGRATED OIL PUMP ENGINE NUMBER --> 10981239 <-- 10983715 --> 10989266
1	72485249	1	CRANKCASE END COVER INTEGRATED OIL PUMP ><2
2	72485251	1	SHAFT SEAL



FENDT 936NA (934/00101-99999)  
41280



041280

---

Fendt

FENDT 936NA (934/00101-99999)

F934105

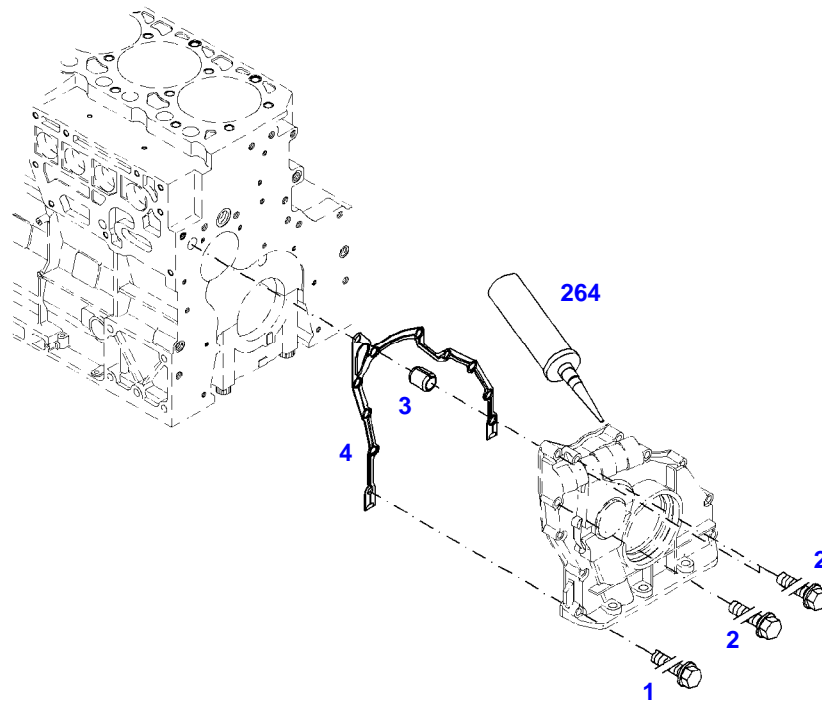
FRONT COVER

Page01-0013

---

Item	Part Number	Qty	Description Comments
			INTEGRATED OIL PUMP ENGINE NUMBER <-- 10981240 --> 10983714 <-- 10989267
1	72485249	1	CRANKCASE END COVER ><2
2	72485251	1	SHAFT SEAL

FENDT 936NA (934/00101-99999)  
40931



040931

Fendt

FENDT 936NA (934/00101-99999)

F934105

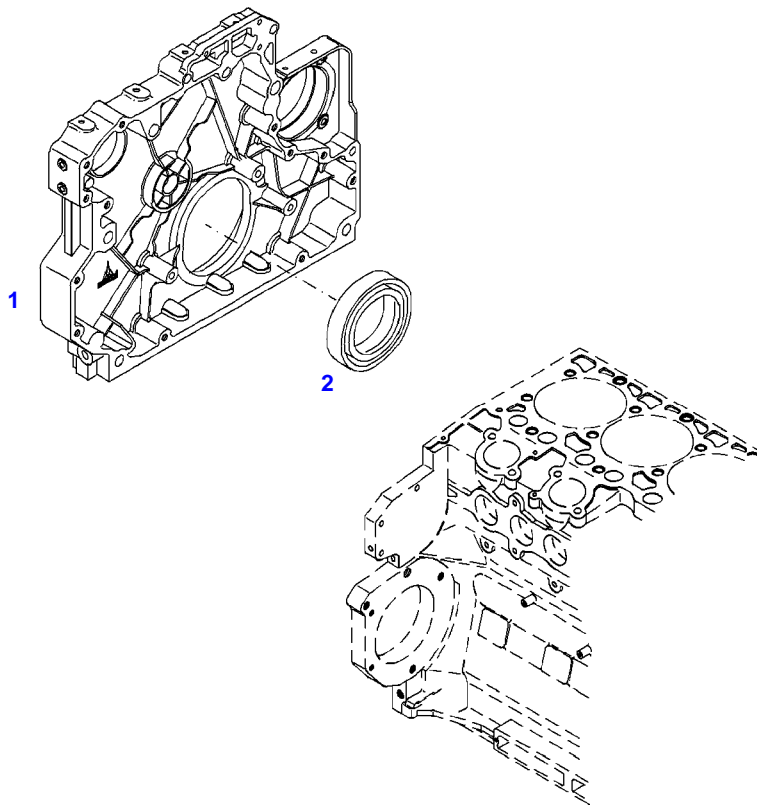
FRONT COVER

Page01-0014

Item	Part Number	Qty	Description Comments	Technical Specification
<b>FASTENINGS</b>				
1	72605244	8	HEXAGONAL HEAD BOLT M8X35	M8X35
2	72452006	3	HEXAGONAL HEAD BOLT M8X70	
3	72325352	1	TENSIONER BUSHING	
4	72452007	1	SEAL	
264	72438062	1	SEALING COMPOUND	

FENDT 936NA (934/00101-99999)  
35636

---



035636

---

Fendt

FENDT 936NA (934/00101-99999)

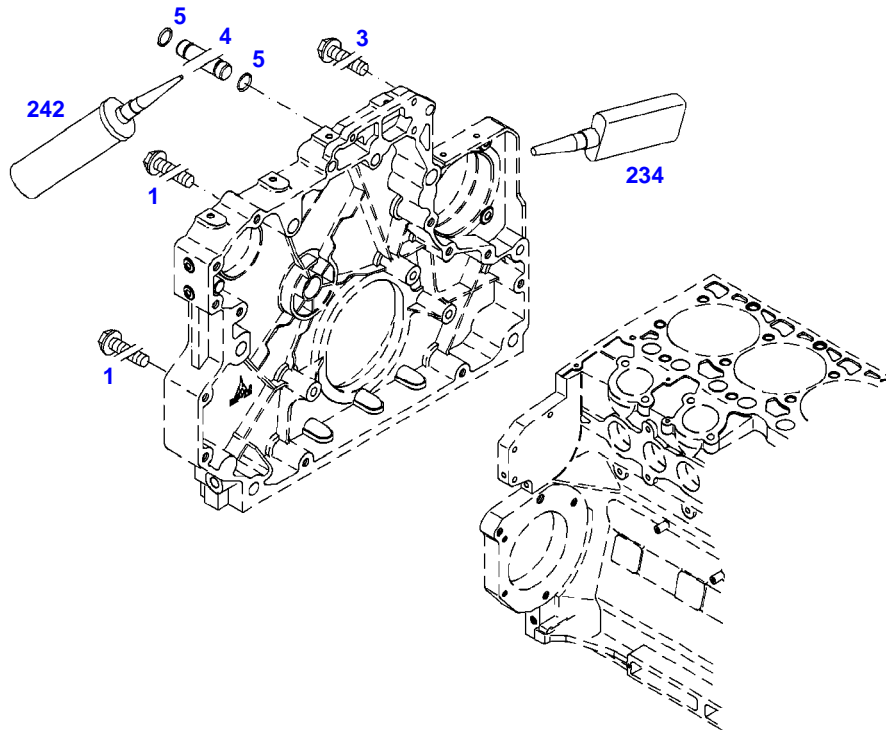
F934105

GEARCASE

Page01-0015

Item	Part Number	Qty	Description Comments
1	72619324	1	WHEEL BOX
2	72415842	1	SHAFT SEAL

FENDT 936NA (934/00101-99999)  
35637

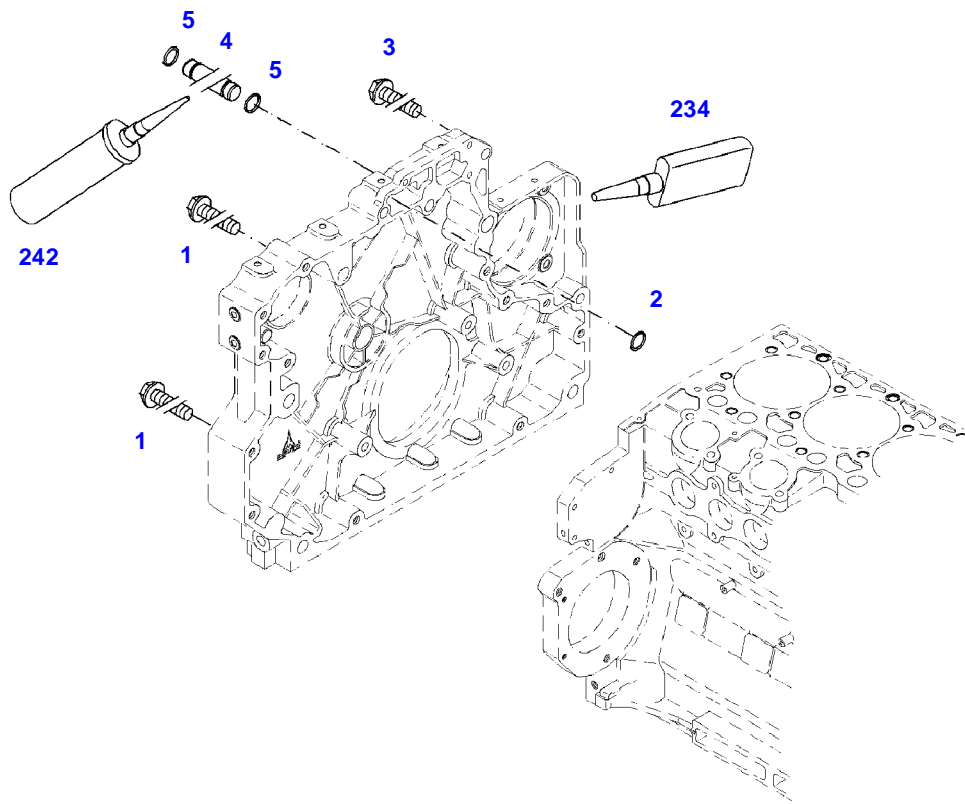


035637

Item	Part Number	Qty	Description Comments	Technical Specification
			FASTENINGS ENGINE NUMBER --> 10437268 <-- 10470041 --> 10475550	
1	72325393	8	HEXAGONAL HEAD BOLT M8X65	
3	72325293	2	HEXAGONAL HEAD BOLT M8X30	M8X30
4	72452009	1	BOLT ><5	
5	72452010	2	SEAL 42X4MM	
234	72325408	1	SEALING COMPOUND	
242	72325276	1	INSTALLATION AIDS	

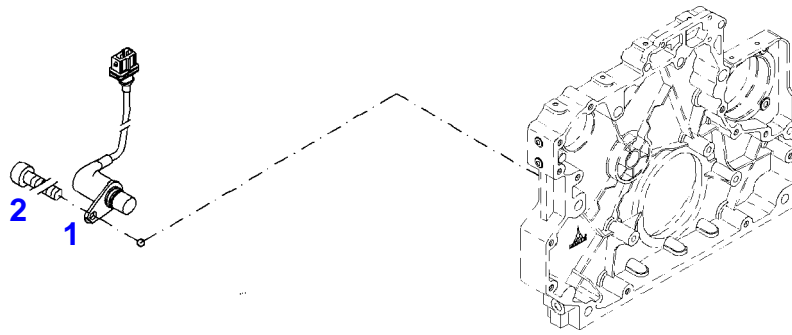


FENDT 936NA (934/00101-99999)  
41039



041039

Item	Part Number	Qty	Description Comments	Technical Specification
			FASTENINGS ENGINE NUMBER <-- 10437269 --> 10470040 <-- 10475551	
1	72325393	8	HEXAGONAL HEAD BOLT M8X65	
2	72415664	1	SEAL 7X3MM	
3	72325293	2	HEXAGONAL HEAD BOLT M8X30	M8X30
4	72452009	1	BOLT ><5	
5	72452010	2	SEAL 42X4MM	
234	72325408	1	SEALING COMPOUND	
242	72325276	1	INSTALLATION AIDS	



040932

---

Fendt

FENDT 936NA (934/00101-99999)

F934105

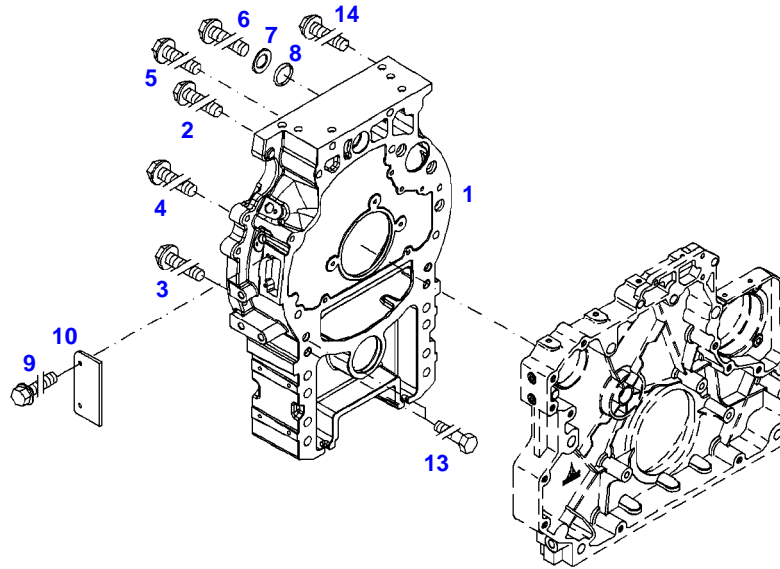
IMPULSETRANSMITTER

Page01-0018

---

Item	Part Number	Qty	Description Comments	Technical Specification
			<b>CAM SHAFT</b>	
1	72452011	1	ENGINE SPEED SENSOR CAM SHAFT	
2	72315460	1	SOCKET HEAD BOLT	DIN 912 M6X16-8.8

FENDT 936NA (934/00101-99999)  
35639



035639

Thank you so much for reading.  
Please click the “Buy Now!”  
button below to download the  
complete manual.



After you pay.

You can download the most  
perfect and complete manual in  
the world immediately.

Our support email:

[ebooklibonline@outlook.com](mailto:ebooklibonline@outlook.com)