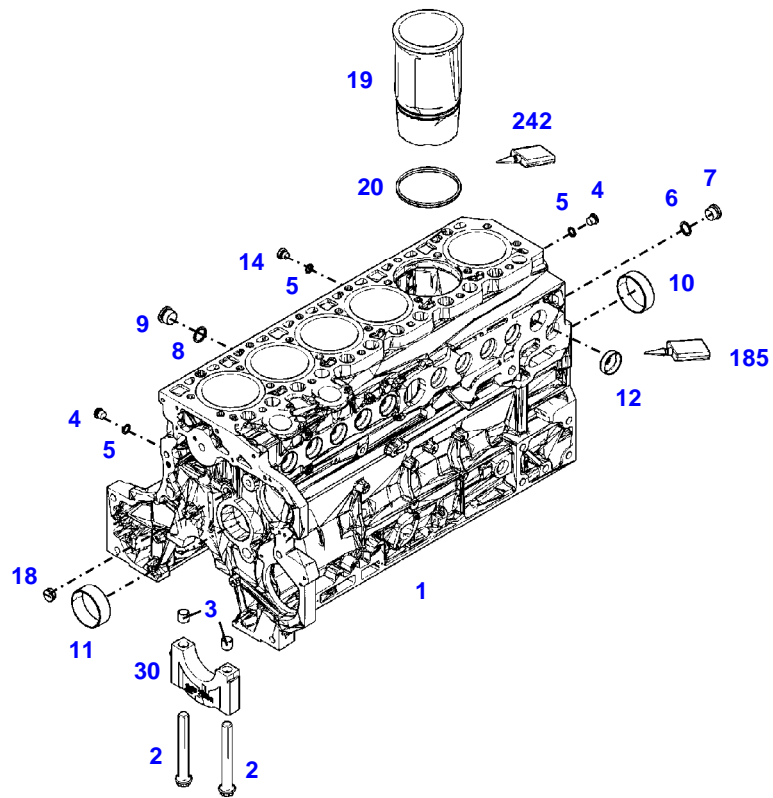


<b>Page Number</b>	<b>Page Title</b>	<b>Page Reference</b>
01-000-TOC	ENGINE, FUEL AND EXHAUST SYSTEM	01-000-TOC
02-000-TOC	AXLES	02-000-TOC
03-000-TOC	STEERING SYSTEM	03-000-TOC
04-000-TOC	DRIVE TRAIN SYSTEM	04-000-TOC
05-000-TOC	COMPRESSED AIR SYSTEM	05-000-TOC
06-000-TOC	HYDRAULIC SYSTEM	06-000-TOC
07-000-TOC	ELECTRICAL SYSTEM	07-000-TOC
08-000-TOC	CAB	08-000-TOC
09-000-TOC	AIR CONDITIONING AND HEATING SYSTEM	09-000-TOC
10-000-TOC	CHASSIS	10-000-TOC
11-000-TOC	WHEELS	11-000-TOC
12-000-TOC	IMPLEMENT LIFT SYSTEM FRONT	12-000-TOC
13-000-TOC	IMPLEMENT LIFT SYSTEM REAR	13-000-TOC
14-000-TOC	FRONT/REAR LOADERS	14-000-TOC
15-000-TOC	PRECISION FARMING SYSTEMS	15-000-TOC
16-000-TOC	ACCESSORIES	16-000-TOC

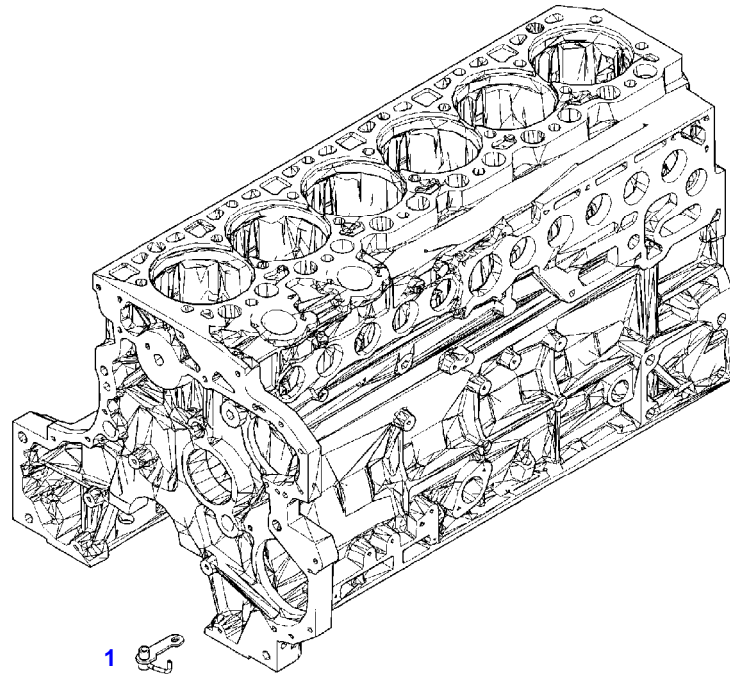
FENDT 933 SCR (944/00101-99999)  
41276



041276

Item	Part Number	Qty	Description Comments	Technical Specification
	72493766	1	ENGINE <-- 944/0101 --> 944/0200 <-- 944/1001 --> 944/1053 <-- 944/0101 --> 944/0200 <> <-- 944/1001 --> 944/1032 <>	TCD7.8L6
	72493728	1	REPAIR KIT	
	72608985	1	SHORT ENGINE <-- 944/0101 --> 944/0200 <-- 944/1001 --> 944/1053	
	72605708	1	ENGINE <-- 944/1054 --> 944/1515	TCD7.8L6
	72612932	1	ENGINE FOR MARKETS WITH EXHAUST REGULATIONS <-- 944/1516	TCD7.8L6
	72605708	1	ENGINE FOR MARKETS WITHOUT EXHAUST REGULATIONS <-- 944/1516	TCD7.8L6
	72608984	1	REMANUFACTURED SHORT BLOCK ENGINE <-- 944/1054	
1	72485221	1	CRANKCASE ><2-12,14,18-20,30	
2	72451992	14	SCREW	
3	72451993	14	ADAPTER BUSH	
4	72315438	2	PLUG SCREW	DIN 908 M14X1,5-ST
5	72439867	3	SEALING WASHER 14X18MM	DIN7603-14X18-CU-VERZ
6	72439874	1	SEALING WASHER	
7	72315442	1	PLUG	DIN 908 M22X1,5-ST
8	72485225	1	SEALING WASHER 26X31MM	26X31
9	72373957	1	SCREW	DIN 908-M26X1,5-ST-A3L
10	72451995	6	BEARING BUSHING	
11	72451996	1	BEARING BUSHING	
12	72325325	10	CORE HOLE PLUG	
14	72315799	1	PLUG	DIN 7604 AM14X1,5-A3L
18	72416465	1	PLUG	
19	72485227	6	CYLINDER LINER ><20	
20	72415821	2	SEAL 112X3MM	
30			NOT AVAILABLE IN SINGLE PARTS	
185	72325403	1	SAFE.LOCK AGENT	
242	72325276	1	INSTALLATION AIDS	

FENDT 933 SCR (944/00101-99999)  
41277



041277

Fendt

FENDT 933 SCR (944/00101-99999)

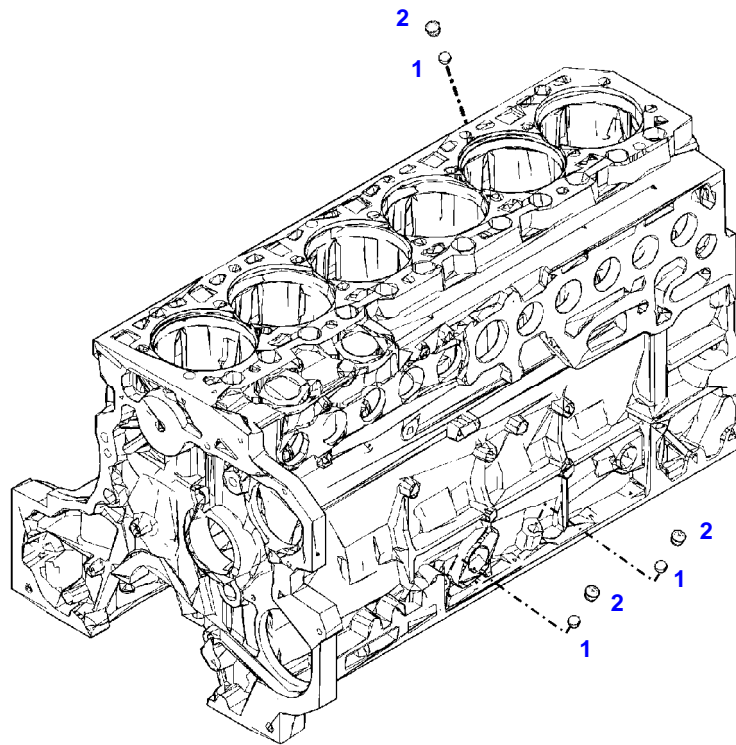
F944000

CRANKCASE

Page01-0002

Item	Part Number	Qty	Description Comments	Technical Specification
			<b>PISTON COOL.NOZZLE</b>	
1	72485235	6	PISTON COOLING JET	
2	72605244	6	HEXAGONAL HEAD BOLT M8X35	M8X35

FENDT 933 SCR (944/00101-99999)  
41284



041284

---

Fendt

FENDT 933 SCR (944/00101-99999)

F944000

CRANKCASE

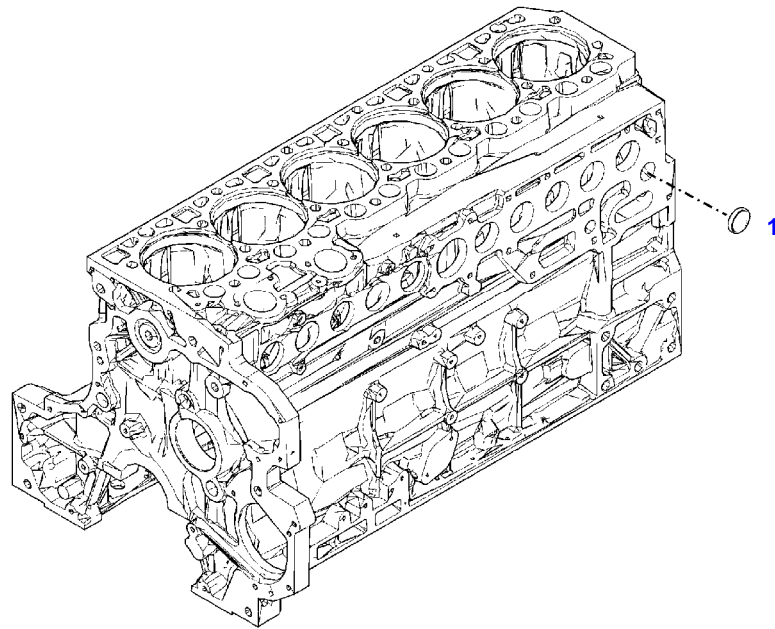
Page01-0003

---

Item	Part Number	Qty	Description Comments
			LOCKING PLUG
1	72484231	3	BALL
2	72611452	3	LOCKING PLUG

FENDT 933 SCR (944/00101-99999)  
41283

---



041283



---

Fendt

FENDT 933 SCR (944/00101-99999)

F944000

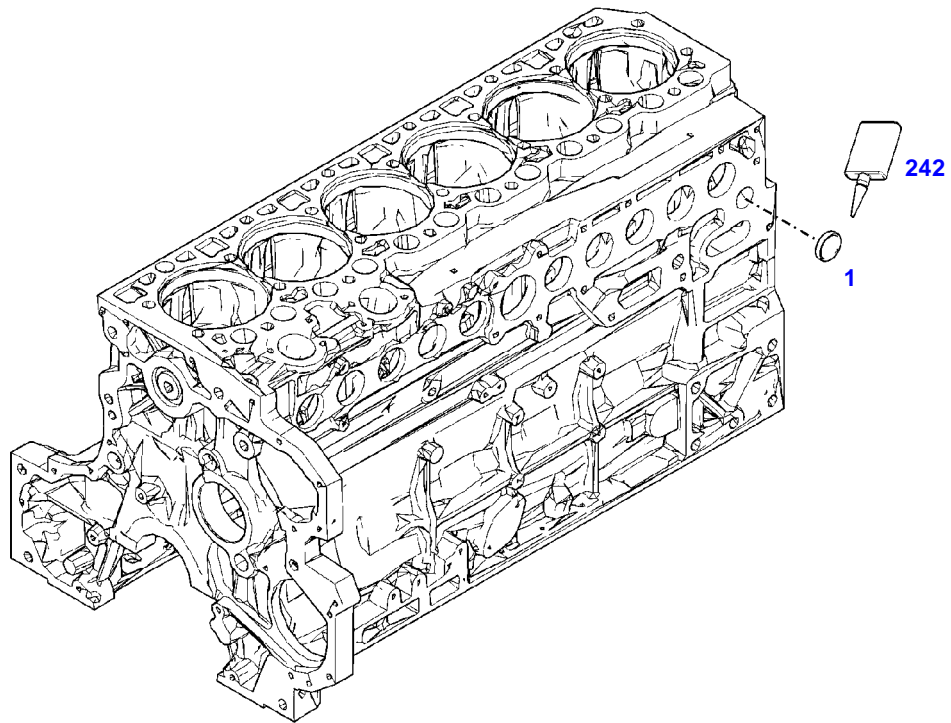
CRANKCASE

Page01-0004

---

Item	Part Number	Qty	Description Comments
			LOCKING PLUG ENGINE NUMBER --> 10988561
1	72485765	1	COVER

FENDT 933 SCR (944/00101-99999)  
41319



041319

Fendt

FENDT 933 SCR (944/00101-99999)

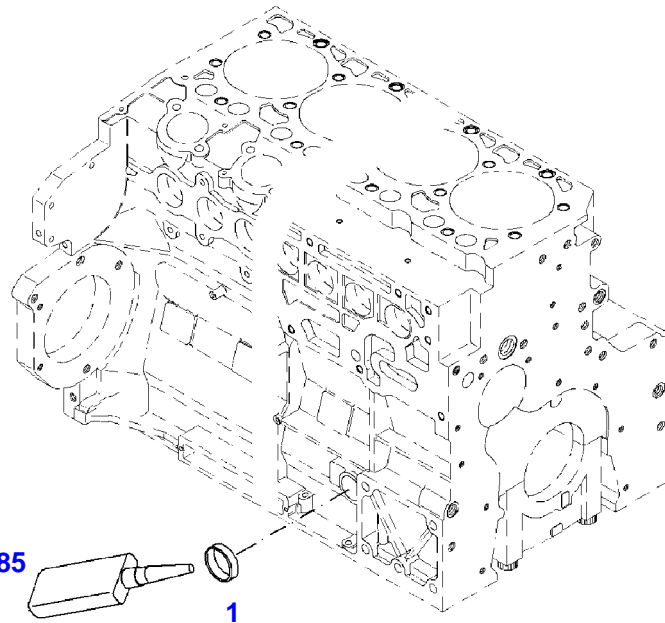
F944000

CRANKCASE

Page01-0005

Item	Part Number	Qty	Description Comments	Technical Specification
			LOCKING PLUG ENGINE NUMBER <-- 10988562	
1	72485243	1	CORE HOLE PLUG	
242	72381391	1	THREADLOCKER	LOCTITE 243 10ML

FENDT 933 SCR (944/00101-99999)  
41278



041278

---

Fendt

FENDT 933 SCR (944/00101-99999)

F944000

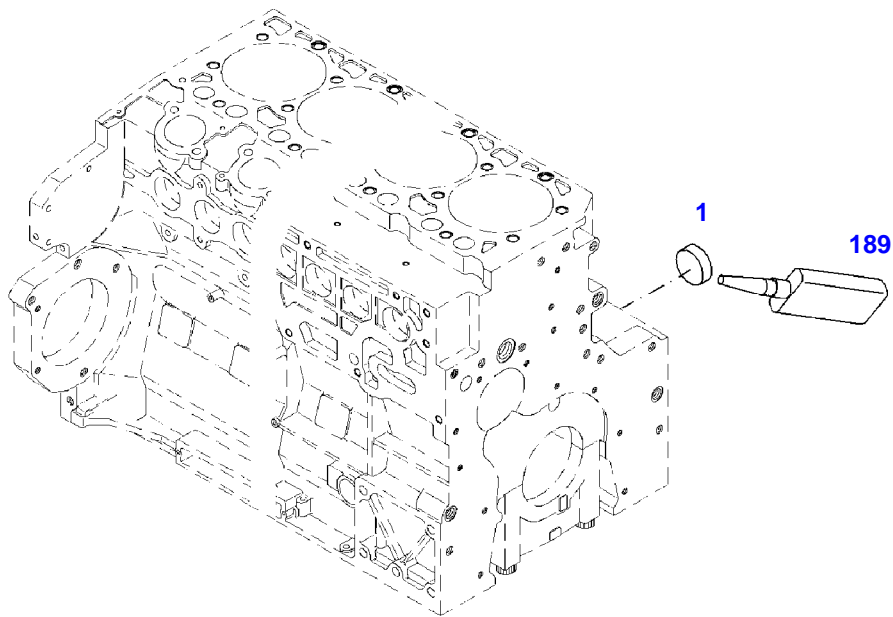
CRANKCASE

Page01-0006

---

Item	Part Number	Qty	Description Comments	Technical Specification
			LOCKING PLUG	
1	72327066	1	COVER	
185	72381391	1	THREADLOCKER	LOCTITE 243 10ML

FENDT 933 SCR (944/00101-99999)  
41279



041279

Fendt

FENDT 933 SCR (944/00101-99999)

F944000

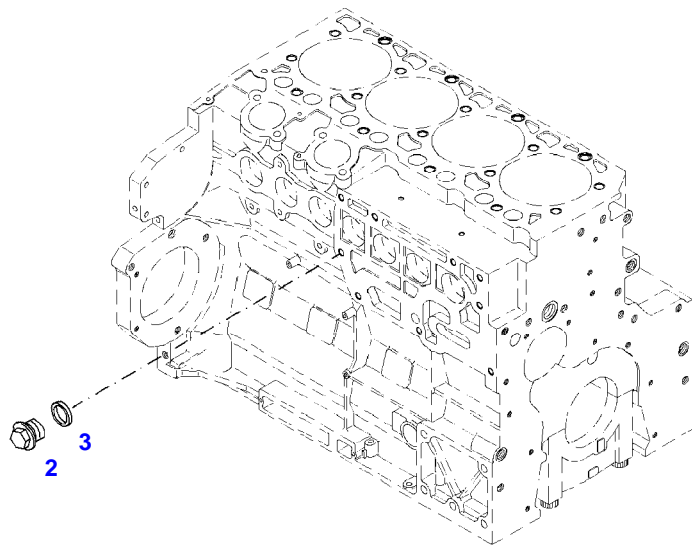
CRANKCASE

Page01-0007

Item	Part Number	Qty	Description Comments	Technical Specification
			<b>LOCKING PLUG</b>	
1	72485243	1	CORE HOLE PLUG	
189	72381391	1	THREADLOCKER	LOCTITE 243 10ML

FENDT 933 SCR (944/00101-99999)  
35632

---



035632



Fendt

FENDT 933 SCR (944/00101-99999)

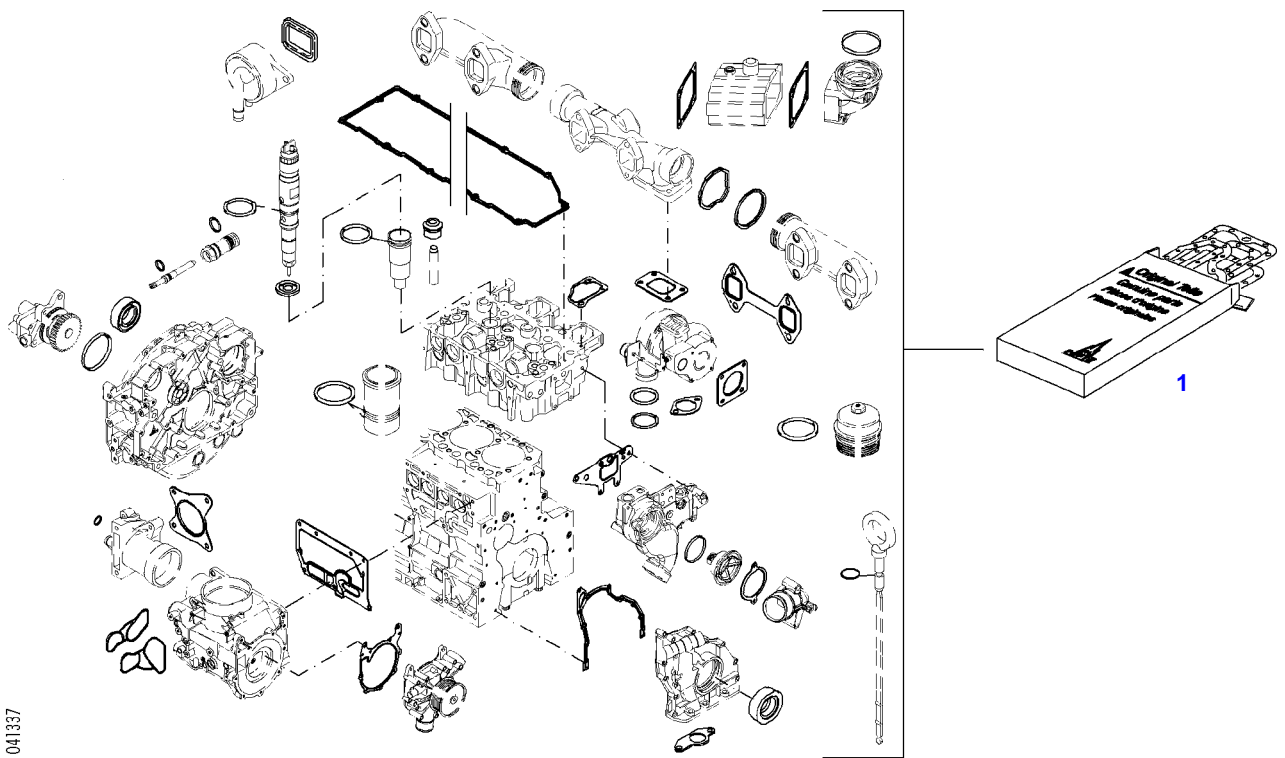
F944000

CRANKCASE

Page01-0008

Item	Part Number	Qty	Description Comments	Technical Specification
<b>BLANKING PARTS</b>				
2	72315799	1	PLUG	DIN 7604 AM14X1,5-A3L
3	72315094	1	SEALING WASHER	DIN 7603 A14X18-CU

FENDT 933 SCR (944/00101-99999)  
41337



041337

---

Fendt

FENDT 933 SCR (944/00101-99999)

F944000

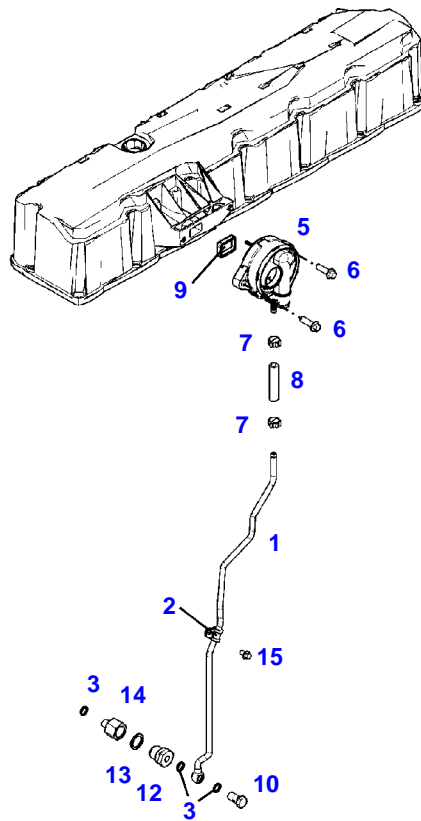
SET OF GASKETS

Page01-0009

---

Item	Part Number	Qty	Description Comments
			<b>ENGINE</b>
1	72609102	1	SEAL KIT WITHOUT CYLINDER HEAD GASKET

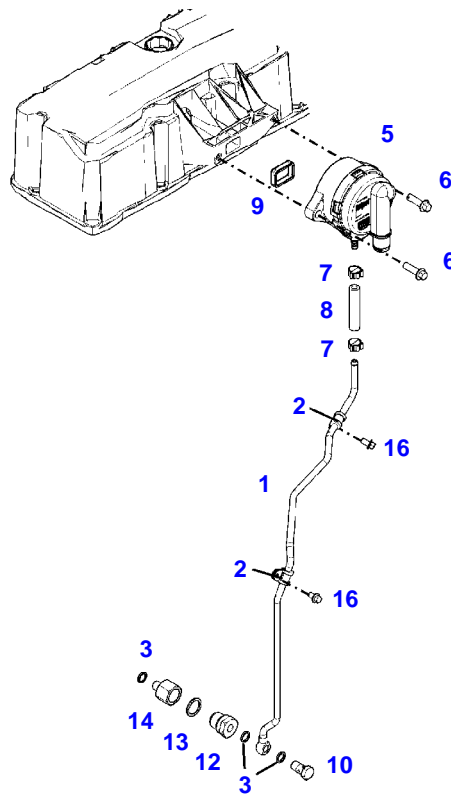
FENDT 933 SCR (944/00101-99999)  
41285



041285

Item	Part Number	Qty	Description Comments	Technical Specification
			<b>ENGINE NUMBER</b> --> 10946406	
1	72485769	1	RETURN LINE ><2,3,10 <-- F946.201.210.210	
2	72452000	1	PIPE CLAMP	
3	72315090	3	SEALING WASHER	DIN 7603 A12X15,5-CU
5	72437250	1	BREATHER ><9	
6	72325293	2	HEXAGONAL HEAD BOLT M8X30	M8X30
7	72325537	2	HOSE CLIP	
8	72452001	1	RUBBER HOSE	
9	72455795	1	SEAL	
10	72323517	1	BANJO BOLT	
12	72485771	1	LOCK VALVE ><13,14	
13	72315101	1	SEALING WASHER	DIN 7603 A22X27-CU
14	72452004	1	ADAPTER	
15	72415878	1	HEXAGONAL HEAD BOLT M8X16	

FENDT 933 SCR (944/00101-99999)  
41330

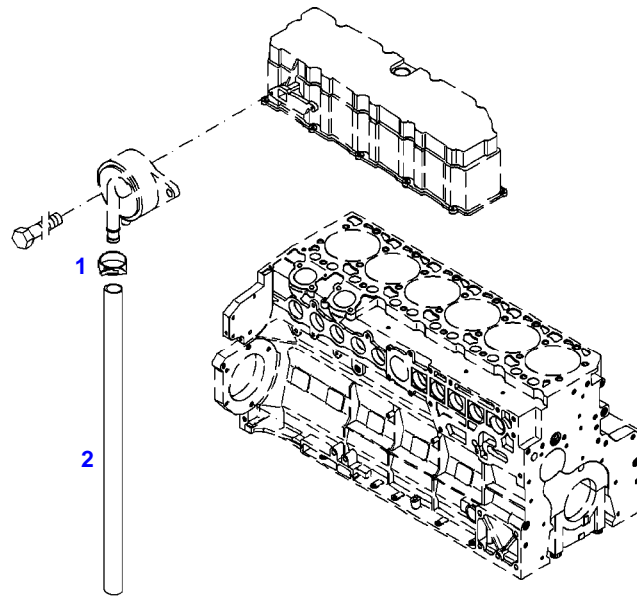


041330

Item	Part Number	Qty	Description Comments	Technical Specification
			<b>ENGINE NUMBER</b> <b>&lt;-- 10946407</b>	
1	72487609	1	RETURN LINE ><2,3,10	
2	72454982	2	PIPE CLAMP	
3	72315090	3	SEALING WASHER	DIN 7603 A12X15,5-CU
5	72437250	1	BREATHER ><9	
6	72325293	2	HEXAGONAL HEAD BOLT M8X30	M8X30
7	72607524	2	HOSE CLIP	
8	72452001	1	RUBBER HOSE	
9	72455795	1	SEAL	
10	72323517	1	BANJO BOLT	
12	72485771	1	LOCK VALVE ><13,14	
13	72315101	1	SEALING WASHER	DIN 7603 A22X27-CU
14	72452004	1	ADAPTER	
16	72325300	2	HEXAGONAL HEAD BOLT M6X12	M6X12

FENDT 933 SCR (944/00101-99999)  
35675

---



035675



Fendt

FENDT 933 SCR (944/00101-99999)

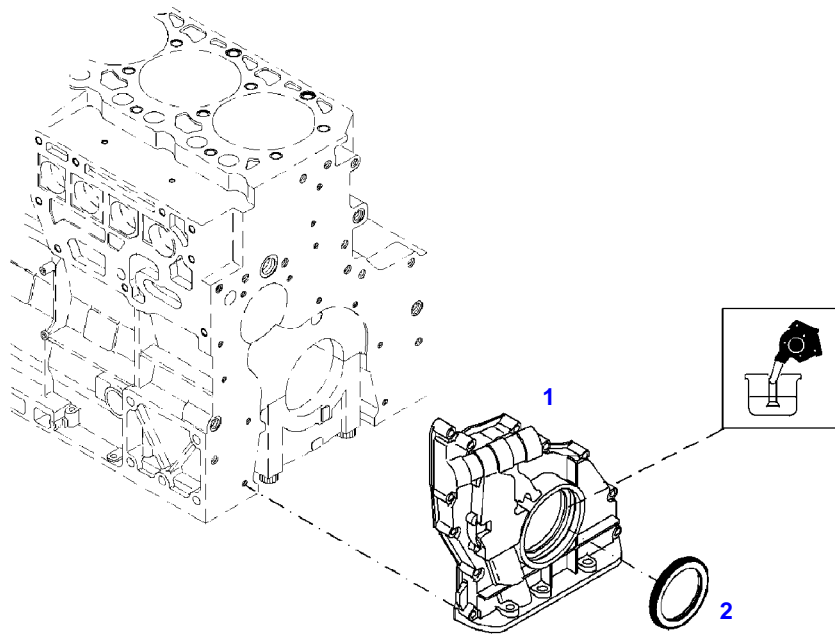
F944000

CRANKCASE BREATHER

Page01-0012

Item	Part Number	Qty	Description Comments	Technical Specification
			<b>BREATHER TUBE</b>	
1	72311167	1	HOSE CLIP	
2	72450415	1	HOSE	L=900 DIN73411-22X3,5 R

FENDT 933 SCR (944/00101-99999)  
41280



041280

---

Fendt

FENDT 933 SCR (944/00101-99999)

F944000

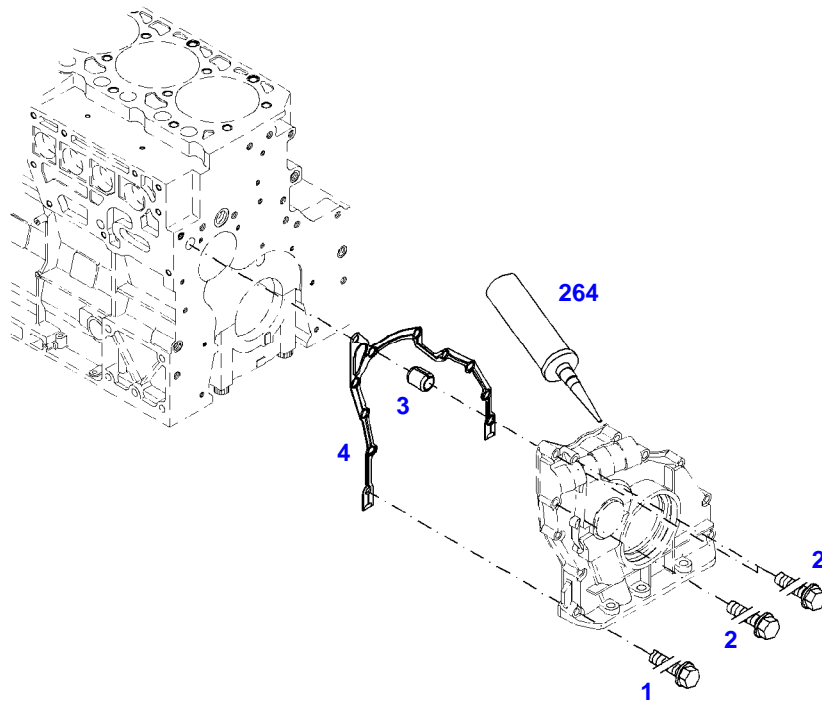
FRONT COVER

Page01-0013

---

Item	Part Number	Qty	Description Comments
			<b>INTEGRATED OIL PUMP</b>
1	72485249	1	CRANKCASE END COVER ><2
2	72485251	1	SHAFT SEAL

FENDT 933 SCR (944/00101-99999)  
40931

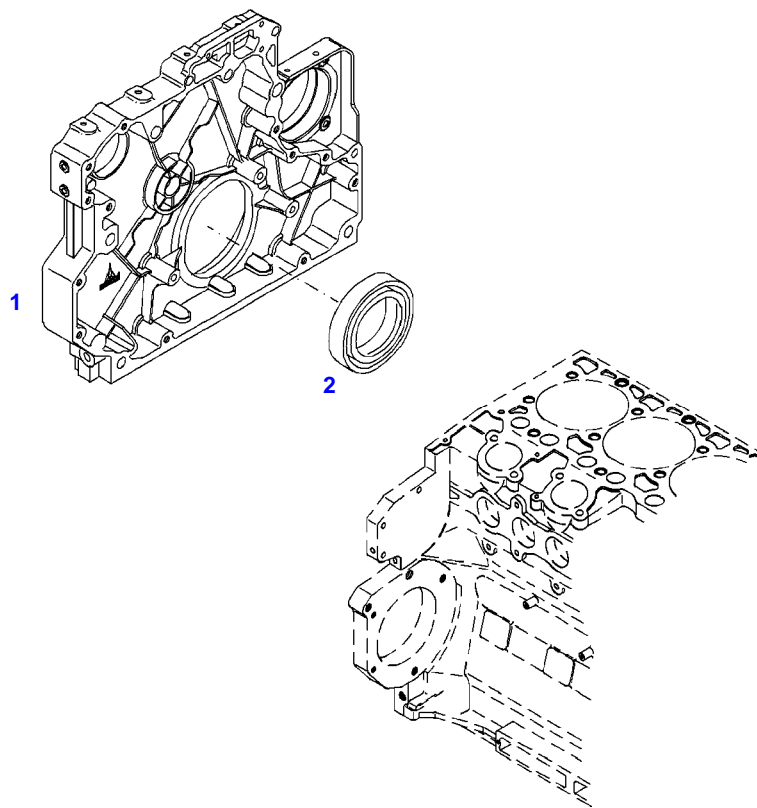


040931

Item	Part Number	Qty	Description Comments	Technical Specification
<b>FASTENINGS</b>				
1	72605244	8	HEXAGONAL HEAD BOLT M8X35	M8X35
2	72452006	3	HEXAGONAL HEAD BOLT M8X70	
3	72325352	1	TENSIONER BUSHING	
4	72452007	1	SEAL	
264	72438062	1	SEALING COMPOUND	

FENDT 933 SCR (944/00101-99999)  
35636

---



035636

---

Fendt

FENDT 933 SCR (944/00101-99999)

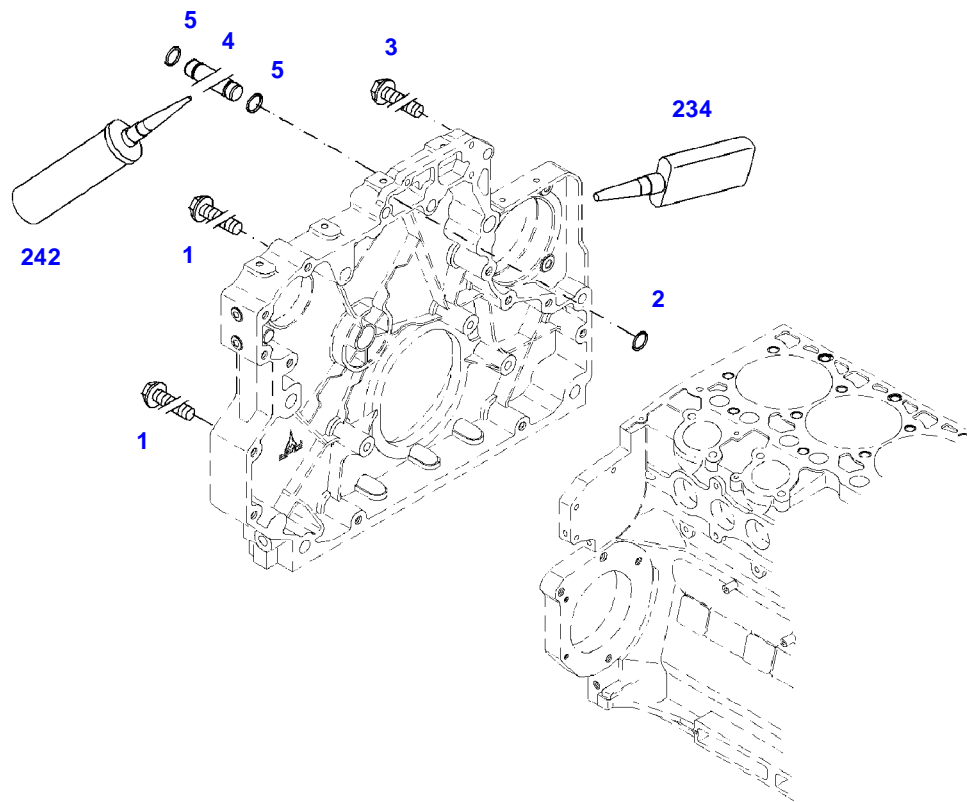
F944000

GEARCASE

Page01-0015

Item	Part Number	Qty	Description Comments
1	72619324	1	WHEEL BOX
2	72488927	1	SHAFT SEAL

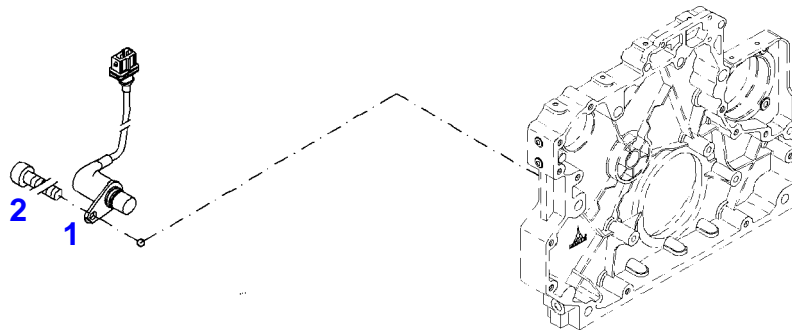
FENDT 933 SCR (944/00101-99999)  
41039



041039



Item	Part Number	Qty	Description Comments	Technical Specification
<b>FASTENINGS</b>				
1	72325393	8	HEXAGONAL HEAD BOLT M8X65	
2	72415664	1	SEAL 7X3MM	
3	72325293	2	HEXAGONAL HEAD BOLT M8X30	M8X30
4	72452009	1	BOLT ><5	
5	72452010	2	SEAL 42X4MM	
234	72325408	1	SEALING COMPOUND	
242	72325276	1	INSTALLATION AIDS	



040932

---

Fendt

FENDT 933 SCR (944/00101-99999)

F944000

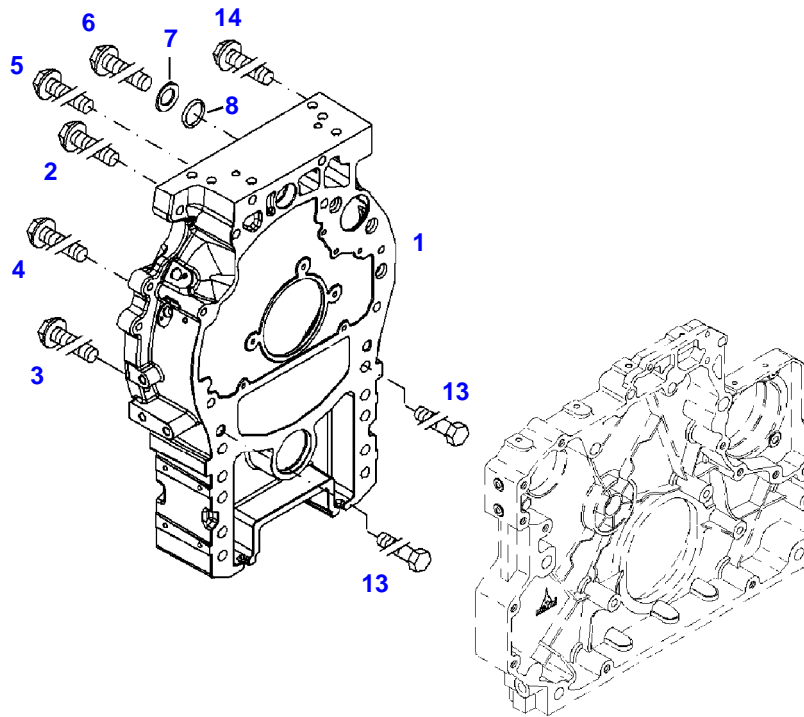
IMPULSETRANSMITTER

Page01-0017

---

Item	Part Number	Qty	Description Comments	Technical Specification
			<b>CAM SHAFT</b>	
1	72452011	1	ENGINE SPEED SENSOR CAM SHAFT	
2	72315460	1	SOCKET HEAD BOLT	DIN 912 M6X16-8.8

FENDT 933 SCR (944/00101-99999)  
40933



040933

Thank you so much for reading.  
Please click the “Buy Now!”  
button below to download the  
complete manual.



After you pay.

You can download the most  
perfect and complete manual in  
the world immediately.

Our support email:

[ebooklibonline@outlook.com](mailto:ebooklibonline@outlook.com)