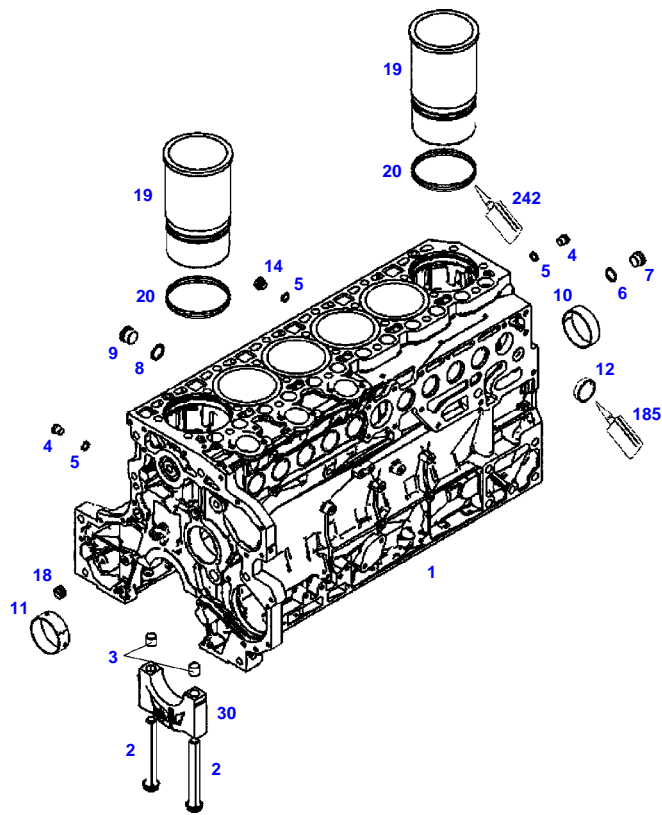
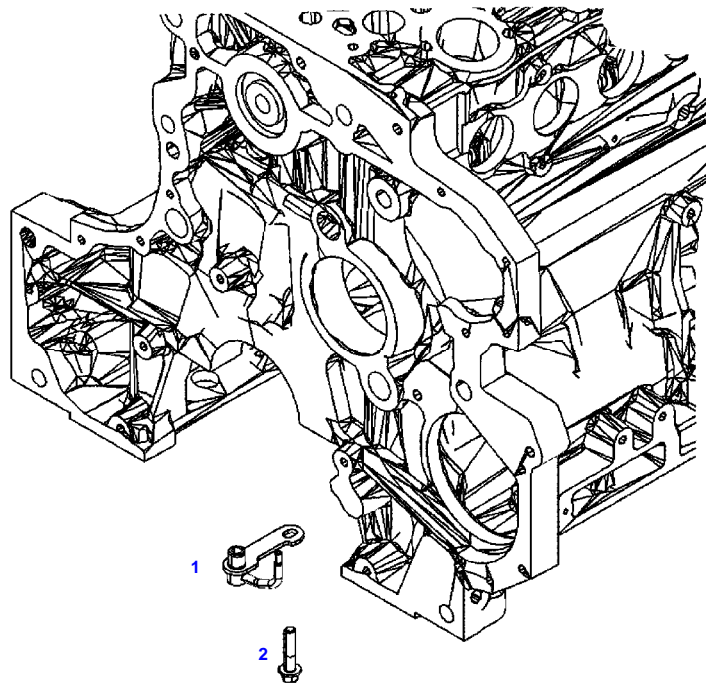


| <b>Page Number</b> | <b>Page Title</b>                   | <b>Page Reference</b> |
|--------------------|-------------------------------------|-----------------------|
| 01-000-TOC         | ENGINE, FUEL AND EXHAUST SYSTEM     | 01-000-TOC            |
| 02-000-TOC         | AXLES                               | 02-000-TOC            |
| 03-000-TOC         | STEERING SYSTEM                     | 03-000-TOC            |
| 04-000-TOC         | DRIVE TRAIN SYSTEM                  | 04-000-TOC            |
| 05-000-TOC         | COMPRESSED AIR SYSTEM               | 05-000-TOC            |
| 06-000-TOC         | HYDRAULIC SYSTEM                    | 06-000-TOC            |
| 07-000-TOC         | ELECTRICAL SYSTEM                   | 07-000-TOC            |
| 08-000-TOC         | CAB                                 | 08-000-TOC            |
| 09-000-TOC         | AIR CONDITIONING AND HEATING SYSTEM | 09-000-TOC            |
| 10-000-TOC         | CHASSIS                             | 10-000-TOC            |
| 11-000-TOC         | WHEELS                              | 11-000-TOC            |
| 12-000-TOC         | IMPLEMENT LIFT SYSTEM FRONT         | 12-000-TOC            |
| 13-000-TOC         | IMPLEMENT LIFT SYSTEM REAR          | 13-000-TOC            |
| 14-000-TOC         | LINKAGE                             | 14-000-TOC            |
| 15-000-TOC         | FRONT/REAR LOADERS                  | 15-000-TOC            |
| 16-000-TOC         | PRECISION FARMING SYSTEMS           | 16-000-TOC            |
| 17-000-TOC         | ACCESSORIES                         | 17-000-TOC            |



050908

| Item | Part Number | Qty | Description<br>Comments                         | Technical Specification |
|------|-------------|-----|---|-------------------------|
|      |             |     | FROM ENGINE S/N<br>12315127                     |                         |
|      | 72649954    | 1   | ENGINE<br>FROM MACHINE S/N<br>WAM952XXX00F07007 | TTCD7.8L6               |
| 1    | 72629722    | 1   | CRANKCASE<br>><2-30                             |                         |
| 2    | 72451992    | 14  | SCREW   |                         |
| 3    | 72451993    | 14  | ADAPTER BUSH                                    |                         |
| 4    | 72631864    | 2   | PLUG SCREW                                      |                         |
| 5    | 72439867    | 3   | SEALING WASHER                                  | DIN7603-14X18-CU-VERZ   |
| 6    | 72439874    | 1   | SEALING WASHER                                  |                         |
| 7    | 72631865    | 1   | PLUG SCREW                                      | DIN908-M22X1,5          |
| 8    | 72485225    | 1   | SEALING WASHER                                  | 26X31                   |
| 9    | 72625841    | 1   | PLUG SCREW                                      |                         |
| 10   | 72451995    | 6   | BEARING BUSHING                                 |                         |
| 11   | 72614627    | 1   | FEMALE BEARING                                  |                         |
| 12   | 72325325    | 10  | CORE HOLE PLUG                                  |                         |
| 14   | 72631866    | 1   | PLUG SCREW                                      |                         |
| 18   | 72431135    | 1   | LOCKING PLUG                                    |                         |
| 19   | 72628452    | 6   | CYLINDER LINER                                  |                         |
| 20   | 72415821    | 12  | SEAL  |                         |
| 30   |             |     |   |                         |
|      |             |     | NOT AVAILABLE IN SINGLE PARTS                   |                         |
| 185  | 72416485    | 1   | SAFE.LOCK AGENT                                 |                         |
| 242  | 72325276    | 1   | INSTALLATION AIDS                               |                         |



050909

---

Fendt

---

FENDT 933 S4 (952/00101-05000) (WAM952XXX00F05001-99999)

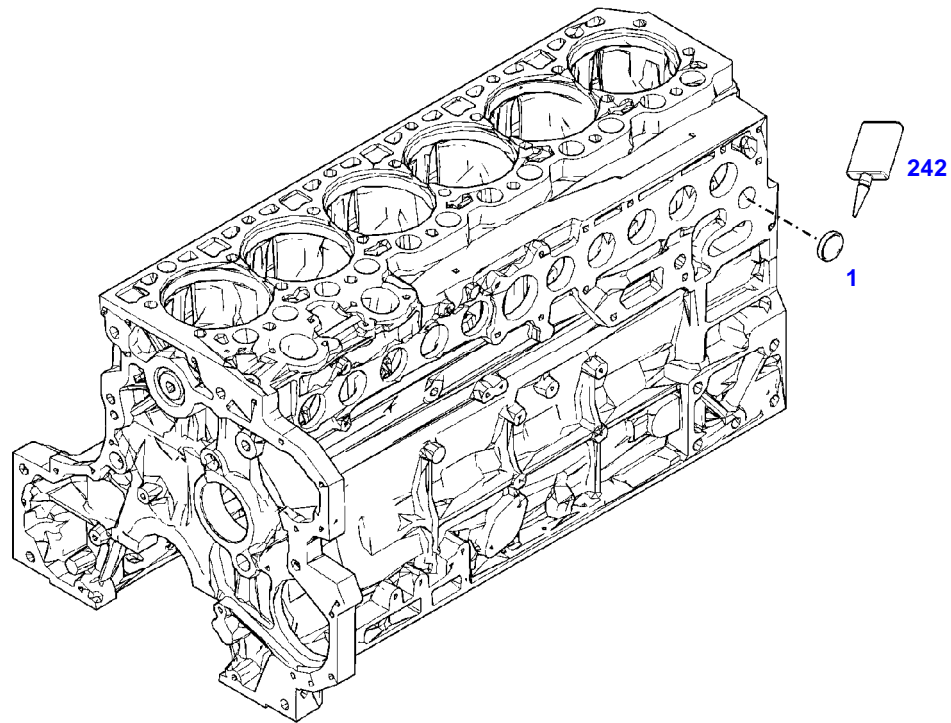
F952000

---

CRANKCASE

Page01-0004

| Item | Part Number | Qty | Description<br>Comments | Technical Specification |
|------|-------------|-----|-------------------------|-------------------------|
|      |             |     | PISTON COOL.NOZZLE      |                         |
| 1    | 72614629    | 6   | PISTON COOLING JET      |                         |
| 2    | 72605244    | 6   | HEXAGONAL HEAD BOLT     | M8X35                   |



041319

Fendt

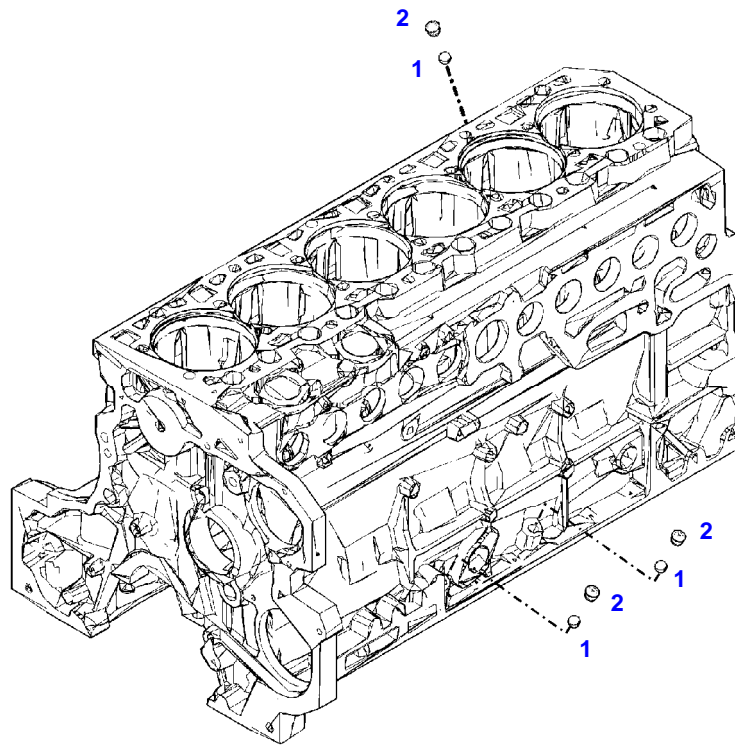
FENDT 933 S4 (952/00101-05000) (WAM952XXX00F05001-99999)

F952000

CRANKCASE

Page01-0005

| Item | Part Number | Qty | Description<br>Comments | Technical Specification |
|------|-------------|-----|-------------------------|-------------------------|
|      |             |     | <b>LOCKING PLUG</b>     |                         |
| 1    | 72485243    | 1   | CORE HOLE PLUG          |                         |
| 242  | 72381391    | 1   | THREADLOCKER            | LOCTITE 243 10ML        |



041284



---

Fendt

FENDT 933 S4 (952/00101-05000) (WAM952XXX00F05001-99999)

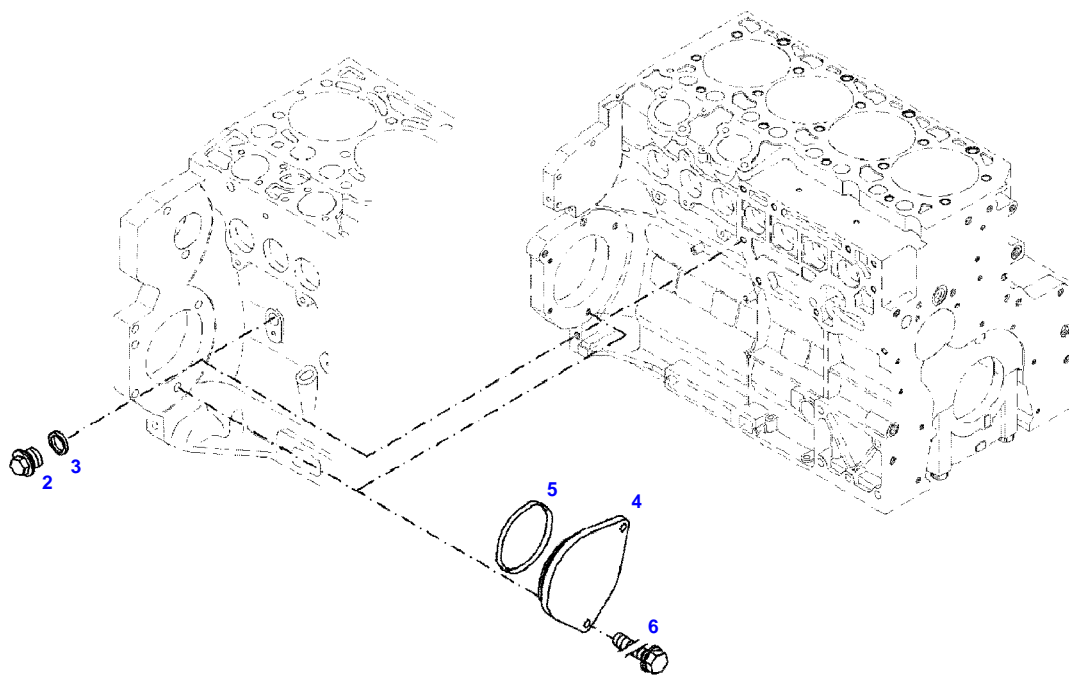
F952000

CRANKCASE

Page01-0006

---

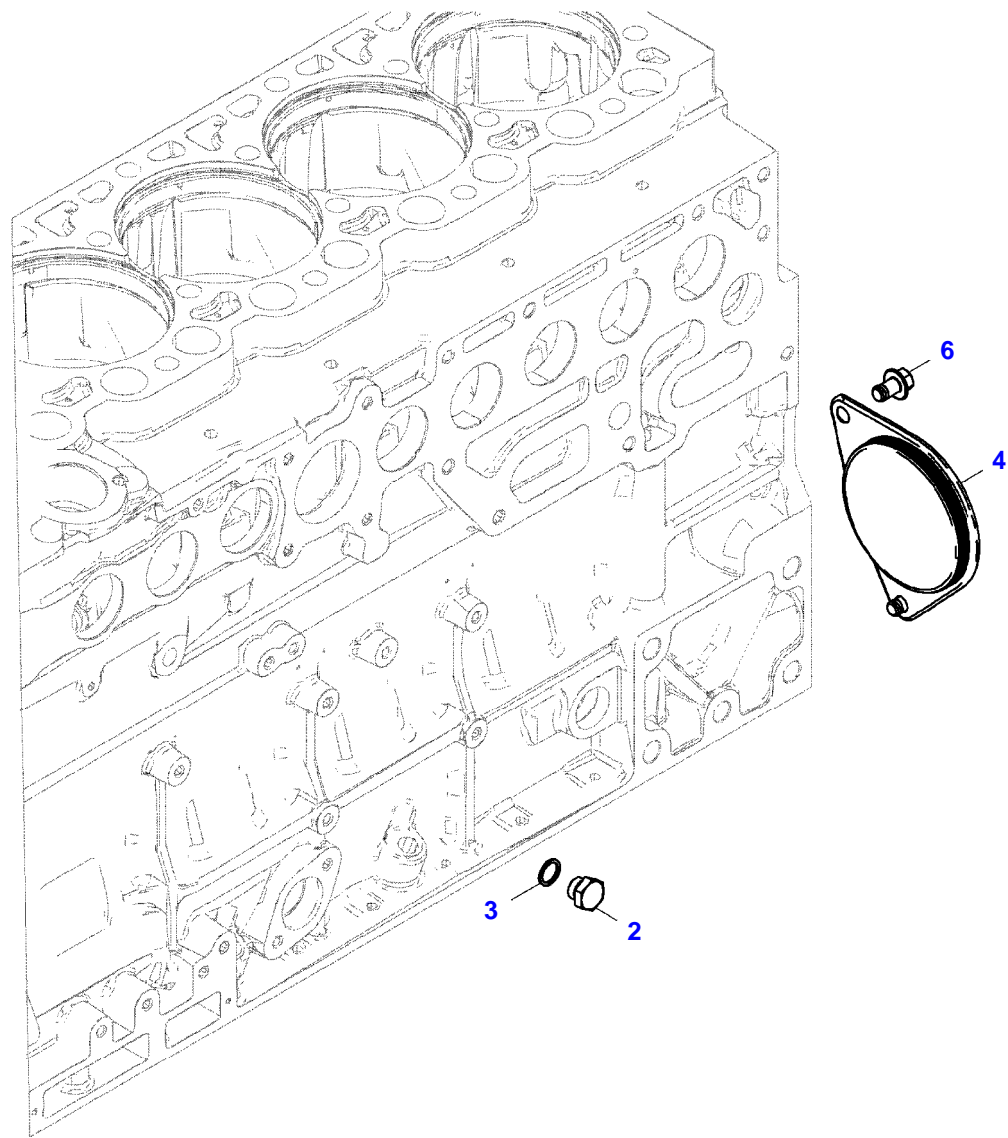
| Item | Part Number | Qty | Description<br>Comments |
|------|-------------|-----|-------------------------|
|      |             |     | LOCKING PLUG            |
| 1    | 72484231    | 3   | BALL                    |
| 2    | 72611452    | 3   | LOCKING PLUG            |



051577



| Item                  | Part Number | Qty | Description<br>Comments   | Technical Specification |
|-----------------------|-------------|-----|---|-------------------------|
| <b>BLANKING PARTS</b> |             |     |   |                         |
| 2                     | 72315799    | 1   | PLUG<br>NOT NEEDED WITH AIR BRAKE                                 | DIN 7604 AM14X1,5-A3L   |
| 3                     | 72439867    | 1   | SEALING WASHER<br>NOT NEEDED WITH AIR BRAKE                       | DIN7603-14X18-CU-VERZ   |
| 4                     | 72431648    | 1   | COVER<br>NOT NEEDED WITH AIR BRAKE                                |                         |
| 5                     | 72416472    | 1   | SEAL<br>96X4MM<br>NOT NEEDED WITH AIR BRAKE                       |                         |
| 6                     | 72438057    | 2   | HEXAGONAL HEAD BOLT<br>NOT NEEDED WITH AIR BRAKE<br>UP TO 2017-08 | M10X20                  |
|                       | 72657640    | 2   | HEXAGONAL HEAD BOLT<br>NOT NEEDED WITH AIR BRAKE<br>FROM 2017-09  | M10X16                  |



25548786-M-1

Fendt

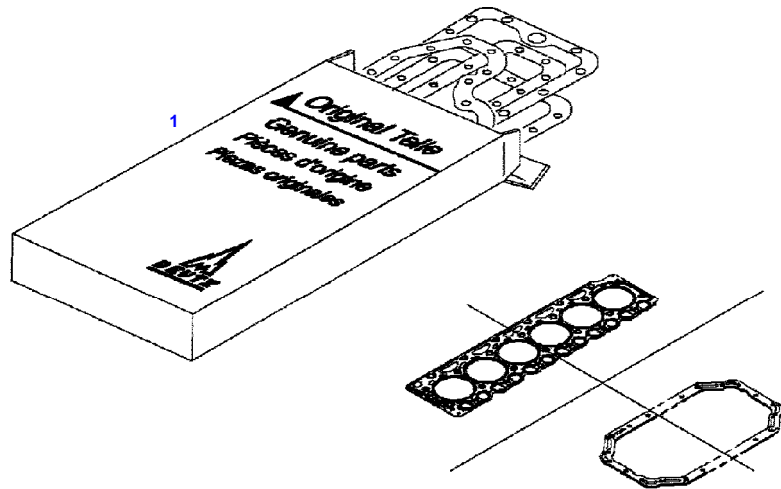
FENDT 933 S4 (952/00101-05000) (WAM952XXX00F05001-99999)

F952000

CRANKCASE

Page01-0008

| Item | Part Number | Qty | Description<br>Comments                                | Technical Specification |
|------|-------------|-----|--|-------------------------|
|      |             |     | <b>BLANKING PARTS<br/>FROM ENGINE S/N<br/>12162508</b> |                         |
| 2    | 72631866    | 1   | PLUG SCREW<br>NOT NEEDED WITH AIR BRAKE                |                         |
| 3    | 72439867    | 1   | SEALING WASHER<br>NOT NEEDED WITH AIR BRAKE            | DIN7603-14X18-CU-VERZ   |
| 4    | 72657732    | 1   | COVER<br>NOT NEEDED WITH AIR BRAKE                     |                         |
| 6    | 72657640    | 2   | HEXAGONAL HEAD BOLT                                    | M10X16                  |



050910

---

Fendt

FENDT 933 S4 (952/00101-05000) (WAM952XXX00F05001-99999)

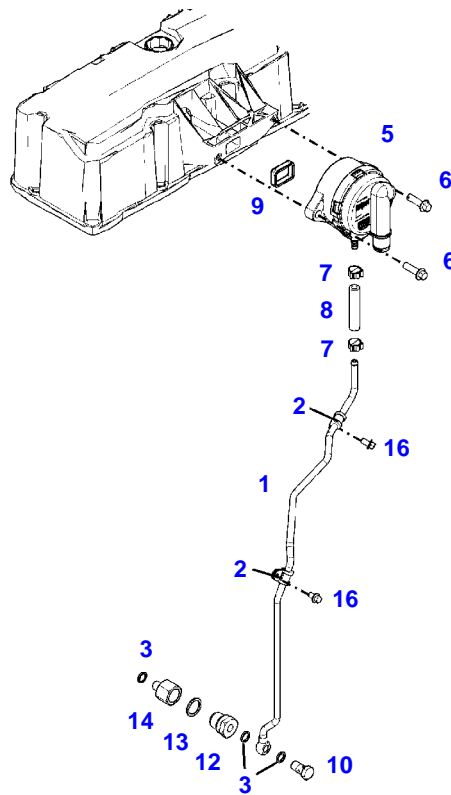
F952000

SET OF GASKETS - MOTOR

Page01-0009

---

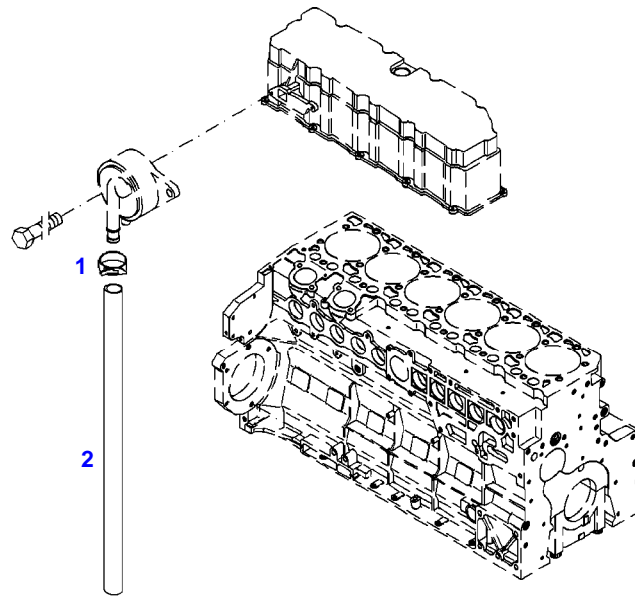
| Item | Part Number | Qty | Description<br>Comments   |
|------|-------------|-----|---|
| 1    | 72614630    | 1   | SEAL KIT<br>WITHOUT CYLINDER HEAD GASKET<br>WITHOUT<br>SEAL<br>OIL SUMP |



041330



| Item | Part Number | Qty | Description<br>Comments      | Technical Specification |
|------|-------------|-----|------------------------------|-------------------------|
| 1    | 72487609    | 1   | RETURN LINE<br>><2,3,10      |                         |
| 2    | 72454982    | 2   | PIPE CLAMP                   |                         |
| 3    | 72315090    | 3   | SEALING WASHER               | DIN 7603 A12X15,5-CU    |
| 5    | 72437250    | 1   | BREATHER<br>><9              |                         |
| 6    | 72325293    | 2   | HEXAGONAL HEAD BOLT<br>M8X30 | M8X30                   |
| 7    | 72607524    | 2   | HOSE CLIP                    |                         |
| 8    | 72452001    | 1   | RUBBER HOSE                  |                         |
| 9    | 72455795    | 1   | SEAL                         |                         |
| 10   | 72323517    | 1   | BANJO BOLT                   |                         |
| 12   | 72485771    | 1   | LOCK VALVE<br>><13,14        |                         |
| 13   | 72315101    | 1   | SEALING WASHER               | DIN 7603 A22X27-CU      |
| 14   | 72452004    | 1   | ADAPTER                      |                         |
| 16   | 72325300    | 2   | HEXAGONAL HEAD BOLT<br>M6X12 | M6X12                   |



035675

Fendt

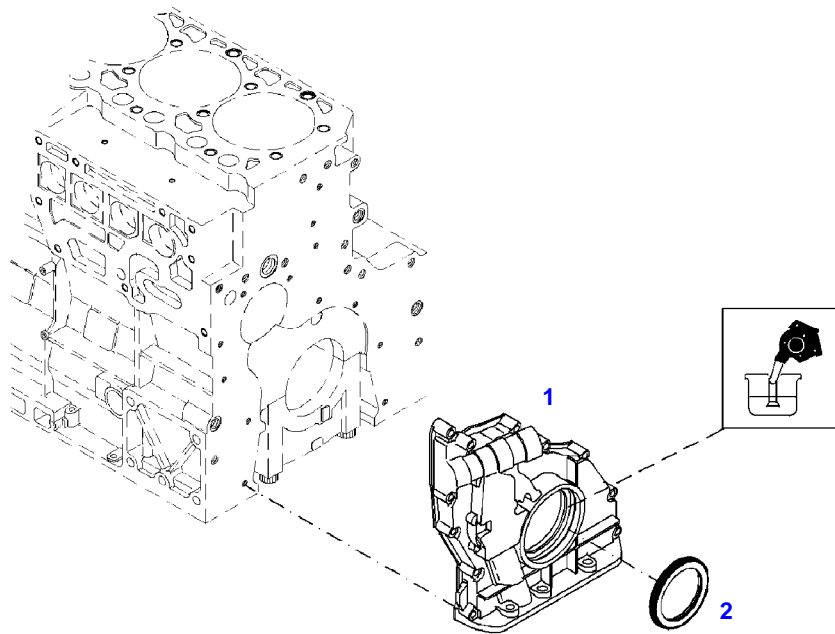
FENDT 933 S4 (952/00101-05000) (WAM952XXX00F05001-99999)

F952000

CRANKCASE BREATHER

Page01-0011

| Item | Part Number | Qty | Description<br>Comments | Technical Specification |
|------|-------------|-----|-------------------------|-------------------------|
|      |             |     | <b>BREATHER TUBE</b>    |                         |
| 1    | 72311167    | 1   | HOSE CLIP               |                         |
| 2    | 72450415    | 1   | HOSE                    | L=900 DIN73411-22X3,5 R |



041280

---

Fendt

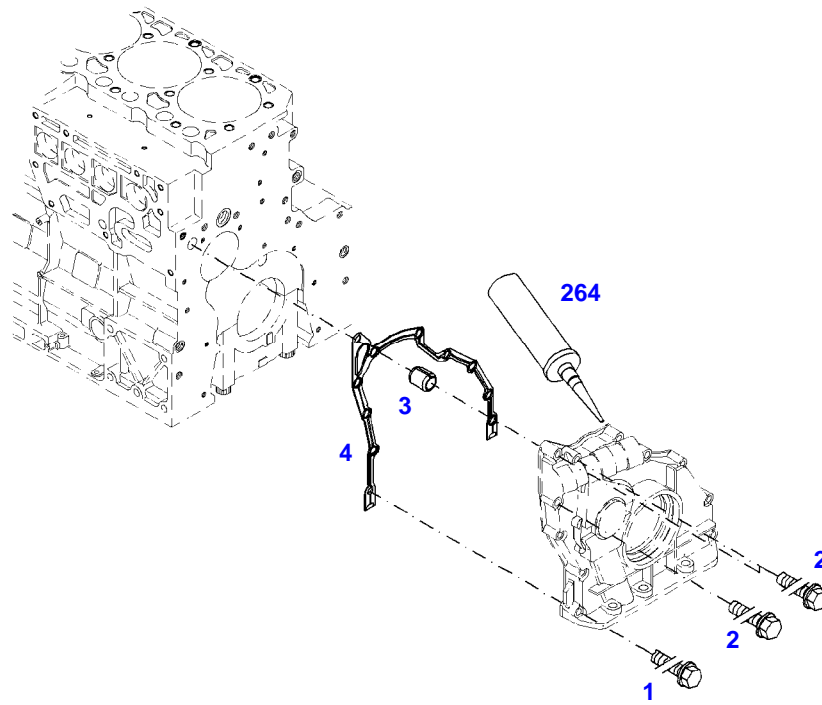
FENDT 933 S4 (952/00101-05000) (WAM952XXX00F05001-99999)

F952000

FRONT COVER

Page01-0012

| Item | Part Number | Qty | Description<br>Comments    |
|------|-------------|-----|----------------------------|
|      |             |     | <b>INTEGRATED OIL PUMP</b> |
| 1    | 72485249    | 1   | CRANKCASE END COVER<br>><2 |
| 2    | 72485251    | 1   | SHAFT SEAL                 |



040931

Fendt

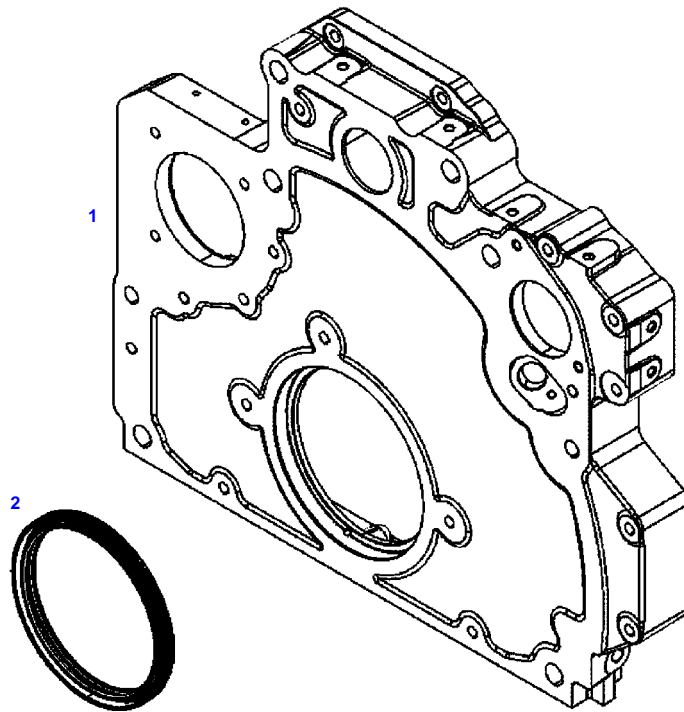
FENDT 933 S4 (952/00101-05000) (WAM952XXX00F05001-99999)

F952000

FRONT COVER

Page01-0013

| Item              | Part Number | Qty | Description<br>Comments      | Technical Specification |
|-------------------|-------------|-----|------------------------------|-------------------------|
| <b>FASTENINGS</b> |             |     |                              |                         |
| 1                 | 72605244    | 8   | HEXAGONAL HEAD BOLT          | M8X35                   |
| 2                 | 72452006    | 3   | HEXAGONAL HEAD BOLT<br>M8X70 |                         |
| 3                 | 72325352    | 1   | TENSIONER BUSHING            |                         |
| 4                 | 72452007    | 1   | SEAL                         |                         |
| 264               | 72438062    | 1   | SEALING COMPOUND             |                         |



050911



---

Fendt

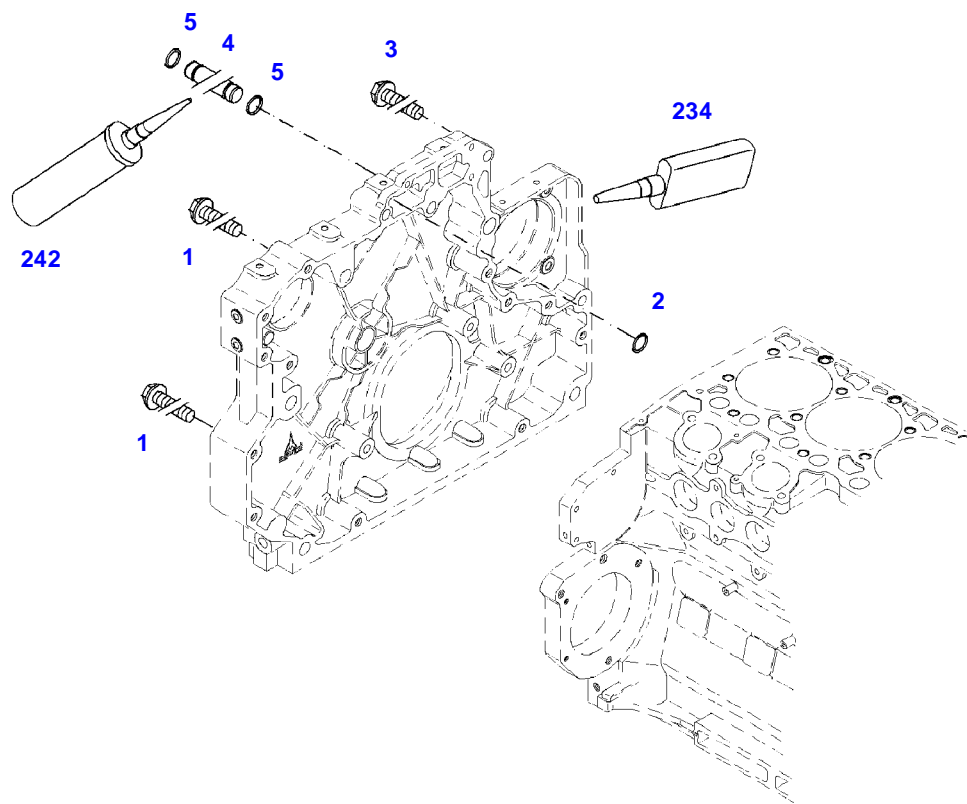
FENDT 933 S4 (952/00101-05000) (WAM952XXX00F05001-99999)

F952000

GEARCASE

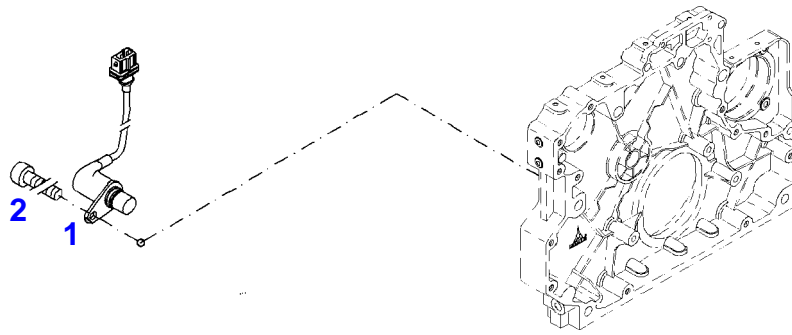
Page01-0014

| Item | Part Number | Qty | Description<br>Comments |
|------|-------------|-----|-------------------------|
| 1    | 72619324    | 1   | WHEEL BOX               |
| 2    | 72488927    | 1   | SHAFT SEAL              |



041039

| Item              | Part Number | Qty | Description<br>Comments      | Technical Specification |
|-------------------|-------------|-----|------------------------------|-------------------------|
| <b>FASTENINGS</b> |             |     |                              |                         |
| 1                 | 72325393    | 8   | HEXAGONAL HEAD BOLT<br>M8X65 |                         |
| 2                 | 72415664    | 1   | SEAL<br>7X3MM                |                         |
| 3                 | 72325293    | 2   | HEXAGONAL HEAD BOLT<br>M8X30 | M8X30                   |
| 4                 | 72452009    | 1   | BOLT<br>><5                  |                         |
| 5                 | 72452010    | 2   | SEAL<br>42X4MM               |                         |
| 234               | 72325408    | 1   | SEALING COMPOUND             |                         |
| 242               | 72325276    | 1   | INSTALLATION AIDS            |                         |



040932

Fendt

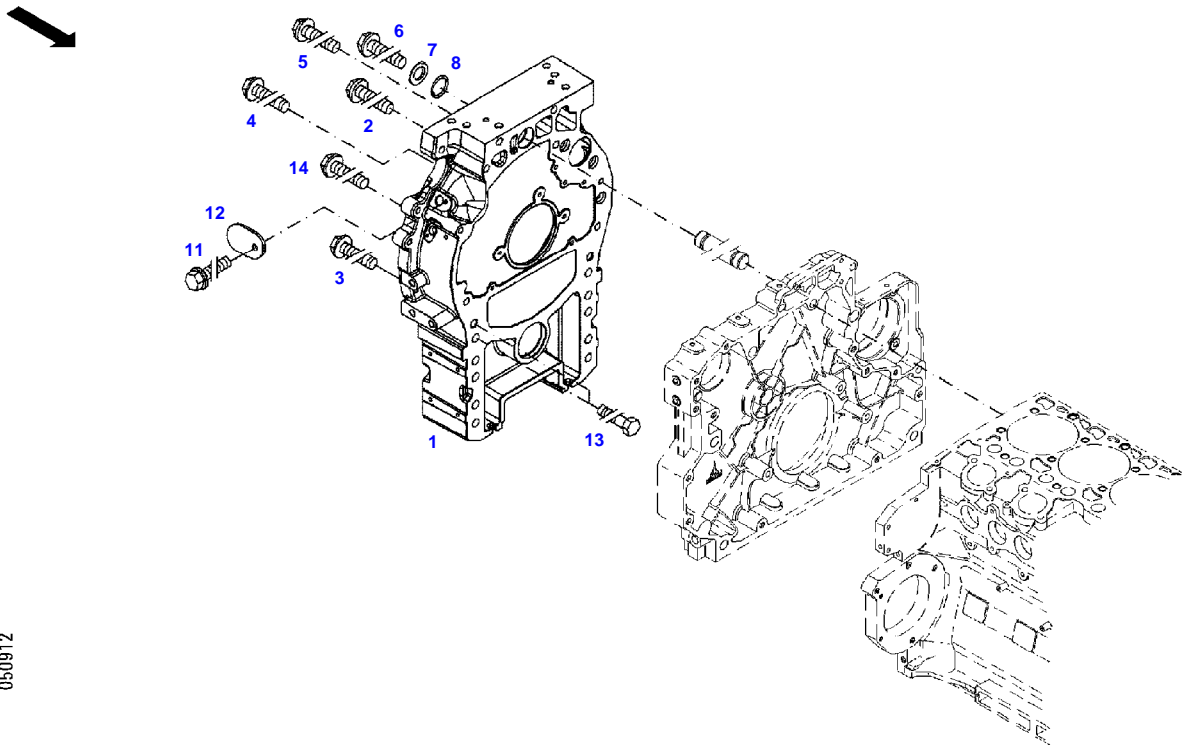
FENDT 933 S4 (952/00101-05000) (WAM952XXX00F05001-99999)

F952000

IMPULSETRANSMITTER

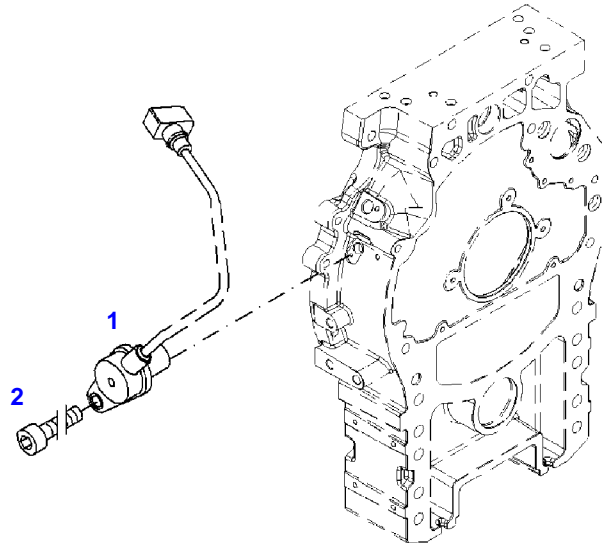
Page01-0016

| Item | Part Number | Qty | Description<br>Comments          | Technical Specification |
|------|-------------|-----|----------------------------------|-------------------------|
|      |             |     | <b>CAM SHAFT</b>                 |                         |
| 1    | 72452011    | 1   | ENGINE SPEED SENSOR<br>CAM SHAFT |                         |
| 2    | 72315460    | 1   | SOCKET HEAD BOLT                 | DIN 912 M6X16-8.8       |



050912

| Item | Part Number | Qty | Description<br>Comments            | Technical Specification |
|------|-------------|-----|------------------------------------|-------------------------|
| 1    | 72437820    | 1   | CONNECTING HOUSING                 |                         |
| 2    | 72452012    | 1   | HEXAGONAL HEAD BOLT<br>M16X200     |                         |
| 3    | 72452013    | 3   | HEXAGONAL HEAD BOLT<br>M16X120     |                         |
| 4    | 72452014    | 8   | HEXAGONAL HEAD BOLT<br>M8X70       |                         |
| 5    | 72452015    | 1   | HEXAGONAL HEAD BOLT<br>M12X130     |                         |
| 6    | 72452015    | 1   | HEXAGONAL HEAD BOLT<br>M16X1,5X180 |                         |
| 7    | 72452021    | 1   | DISC                               |                         |
| 8    | 72452017    | 1   | SEAL<br>16X4MM                     |                         |
| 11   | 72415878    | 1   | HEXAGONAL HEAD BOLT<br>M8X16       |                         |
| 12   | 72614631    | 1   | LID                                |                         |
| 13   | 72374344    | 2   | HEXAGONAL HEAD BOLT                | DIN 931 M20X70-10.9     |
| 14   | 72452019    | 1   | HEXAGONAL HEAD BOLT<br>M12X190     |                         |



040934



Fendt

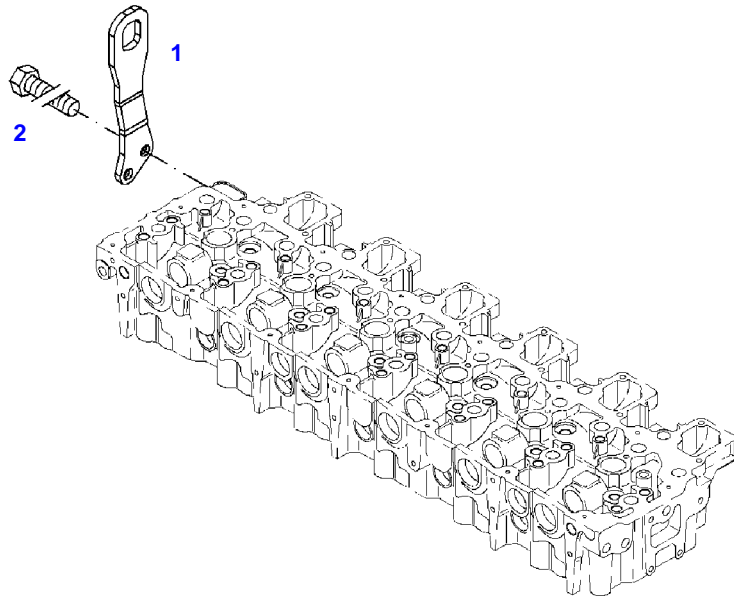
FENDT 933 S4 (952/00101-05000) (WAM952XXX00F05001-99999)

F952000

IMPULSETRANSMITTER

Page01-0018

| Item | Part Number | Qty | Description<br>Comments | Technical Specification |
|------|-------------|-----|-------------------------|-------------------------|
|      |             |     | FLYWHEEL                |                         |
| 1    | 72436872    | 1   | TRANSMITTER<br>FLYWHEEL |                         |
| 2    | 72315460    | 1   | SOCKET HEAD BOLT        | DIN 912 M6X16-8.8       |



041281

---

Fendt

---

FENDT 933 S4 (952/00101-05000) (WAM952XXX00F05001-99999)

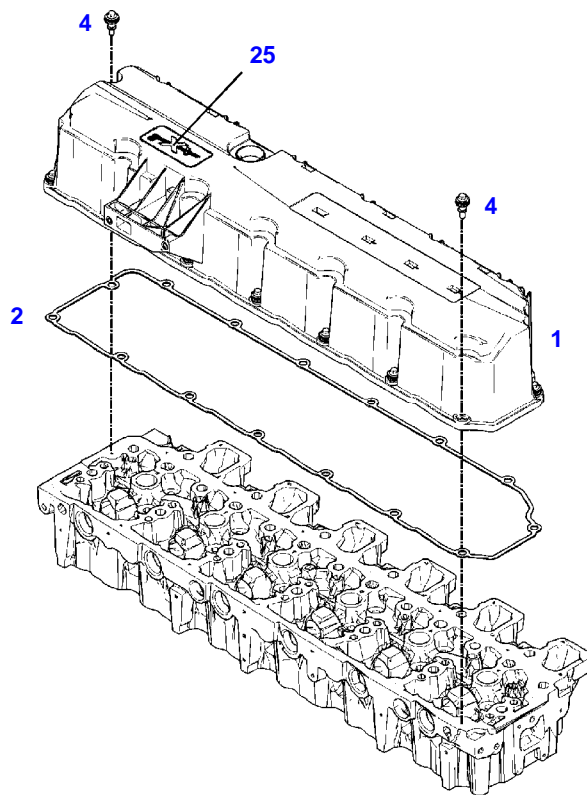
F952000

---

ENGINE MOUNTING

Page01-0019

| Item | Part Number | Qty | Description<br>Comments       |
|------|-------------|-----|-------------------------------|
| 1    | 72485279    | 1   | SUSPENSION PLATE              |
| 2    | 72485277    | 2   | HEXAGONAL HEAD BOLT<br>M12X25 |



041388

Fendt

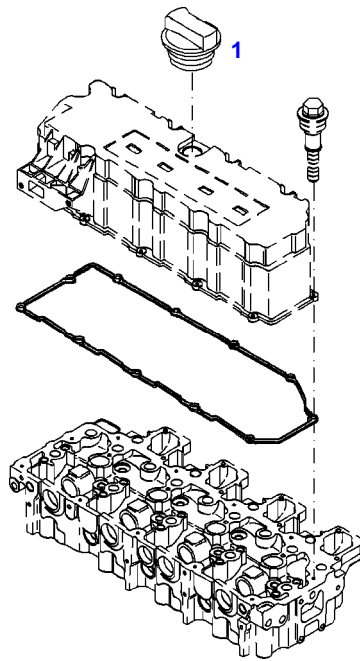
FENDT 933 S4 (952/00101-05000) (WAM952XXX00F05001-99999)

F952000

VALVE COVER

Page01-0020

| Item | Part Number | Qty | Description<br>Comments |
|------|-------------|-----|-------------------------|
| 1    | 72493980    | 1   | VALVE COVER<br>><2,4    |
| 2    | 72451950    | 1   | SEAL                    |
| 4    | 72452027    | 15  | SCREW                   |
| 25   |             | 1   | NO SPARE PART           |



035643

Thank you so much for reading.  
Please click the “Buy Now!”  
button below to download the  
complete manual.



After you pay.

You can download the most  
perfect and complete manual in  
the world immediately.

Our support email:

[ebooklibonline@outlook.com](mailto:ebooklibonline@outlook.com)