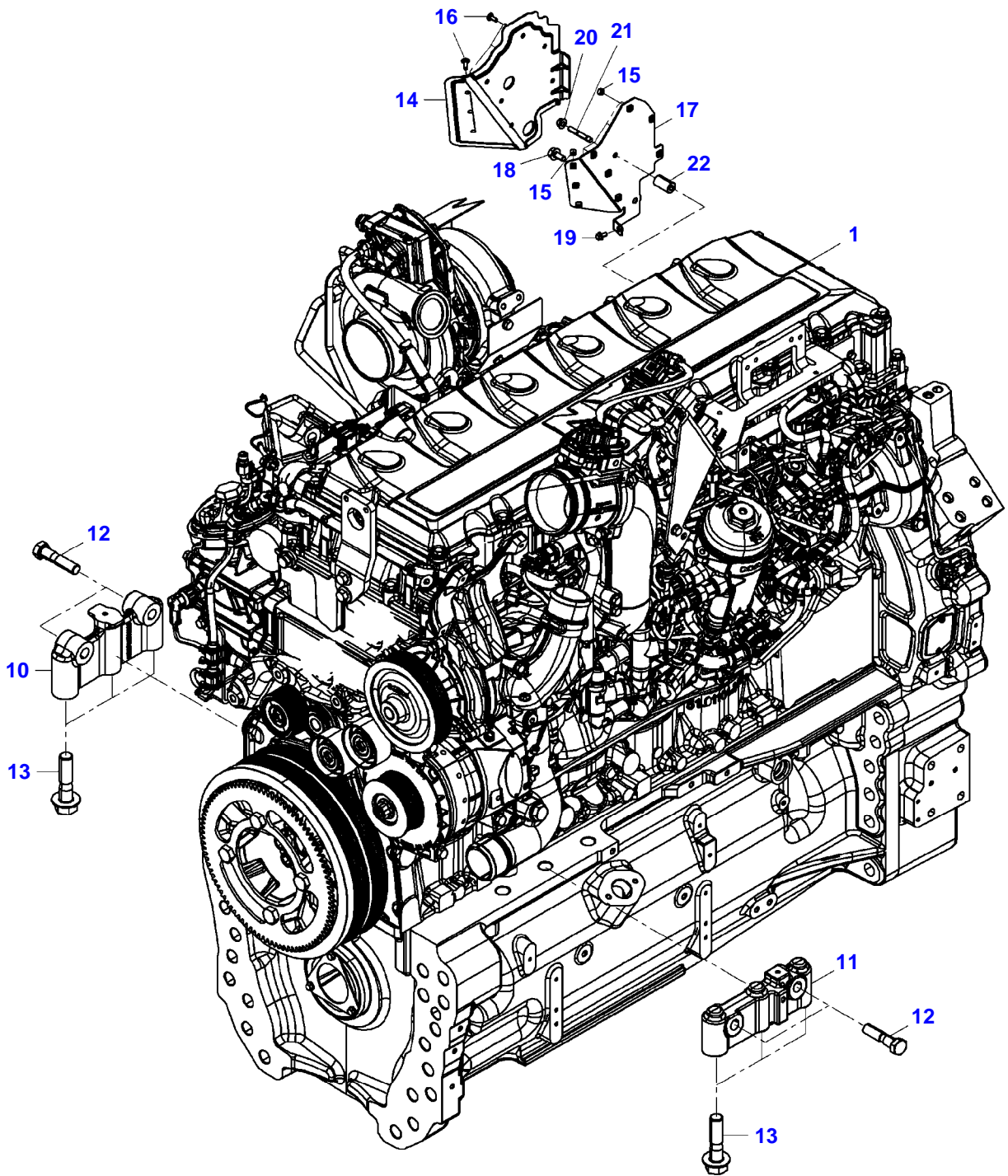


Page Number	Page Title	Page Reference
01-000-TOC	ENGINE H218PB1501XXX D1556LE5XX	01-000-TOC
02-000-TOC	ENGINE INSTALLATION	02-000-TOC
03-000-TOC	AXLES	03-000-TOC
04-000-TOC	STEERING SYSTEM	04-000-TOC
05-000-TOC	DRIVE TRAIN SYSTEM	05-000-TOC
06-000-TOC	COMPRESSED AIR SYSTEM	06-000-TOC
07-000-TOC	HYDRAULIC SYSTEM	07-000-TOC
08-000-TOC	ELECTRICAL SYSTEM	08-000-TOC
09-000-TOC	CAB	09-000-TOC
10-000-TOC	AIR CONDITIONING AND HEATING SYSTEM	10-000-TOC
11-000-TOC	CHASSIS	11-000-TOC
12-000-TOC	DECALS	12-000-TOC
13-000-TOC	WHEELS	13-000-TOC
14-000-TOC	IMPLEMENT LIFT SYSTEM FRONT	14-000-TOC
15-000-TOC	IMPLEMENT LIFT SYSTEM REAR	15-000-TOC
16-000-TOC	LINKAGE	16-000-TOC
17-000-TOC	PRECISION FARMING SYSTEMS	17-000-TOC
18-000-TOC	ACCESSORIES	18-000-TOC

Page Number	Page Title	Page Reference
01-0001	ENGINE - MOUNT	1MDL2443745
01-0002	CRANKCASE	1MDL2443746
01-0003	TIMING GEARS AND HOUSING	1MDL2443747
01-0004	FLYWHEEL AND HOUSING	1MDL2443748
01-0005	CRANKSHAFT AND PISTONS	1MDL2443749
01-0006	CAMSHAFT AND VALVE	1MDL2443750
01-0007	CYLINDER HEAD AND VALVES	1MDL2443751
01-0008	VALVE COVER	1MDL2443754
01-0009	AIR INTAKE	1MDL2443755
01-0010	EXHAUST MANIFOLD	1MDL2443756
01-0011	TURBO-CHARGER	1MDL2443757
01-0012	OIL PUMP AND SUMP	1MDL2443759
01-0013	OIL COOLER AND FILTER	1MDL2443760
01-0014	COOLANT PIPING	1MDL2443761
01-0015	COOLANT PUMP AND THERMOSTAT	1MDL2443762
01-0016	FUEL INJECTION SYSTEM UP TO ENGINE S/N 42252790555277	1MDL2443763
01-0017	FUEL INJECTION SYSTEM FROM ENGINE S/N 42253770505371	1MDL2629291
01-0018	FUEL FILTERS	1MDL2443765
01-0019	ELECTRONIC ENGINE MANAGEMENT - SENSOR	1MDL2443766
01-0020	ELECTRONIC ENGINE MANAGEMENT - WIRING HARNESS	1MDL2443767
01-0021	ELECTRONIC ENGINE MANAGEMENT - SUPPORT BRACKET	1MDL2443768
01-0022	WIRING HARNESS - INJECTOR	1MDL2443769
01-0023	STARTER MOTOR	1MDL2443785
01-0024	ALTERNATOR	1MDL2443787
01-0025	BELT - BELT TENSIONER	1MDL2443770
01-0026	SPECIAL OVERHAUL PARTS	1MDL2443772

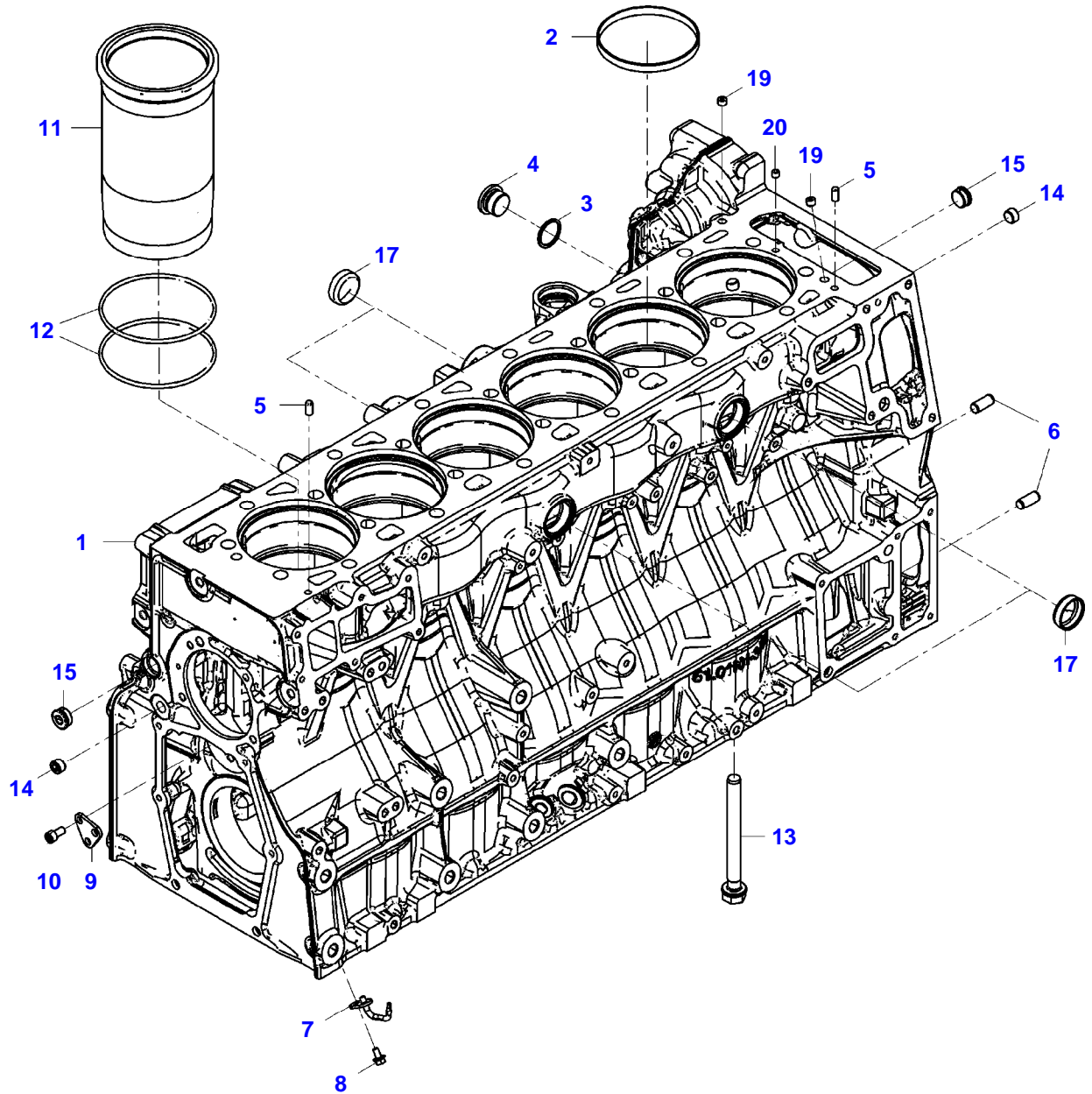
FENDT 936 GEN6 (WAM95923X00F00101-99999)
23393316-M-1



23393316-M-1

Item	Part Number	Qty	Description Comments	Technical Specification
1	72651777	1	DIESEL ENGINE	F959 EU
10	72652209	1	BLOCK	
11	72652208	1	BLOCK	
12	ACW0884540	4	HEX BOLT	ISO4014 M16X2X70-10 VDA42
13	ACW0934720	6	HEXAGON FLANGE BOLT	EN1665 M20X2.5X80-10 VDA42
14	72654285	1	GASKET	
15	72310699	9	BUSHING	
16	ACW1420750	9	BUTTON HEAD SCREW	ISO7380-2T M6X1X16-8 VDA30
17	72654283	1	HOLDER	
18	ACW0775900	1	HEXAGON FLANGE BOLT	EN1665 M10X1.5X20-8 VDA30
19	ACW0775750	1	HEXAGON FLANGE BOLT	EN1665 M6X1X12-8 VDA30
20	ACW0863280	1	HEX FLANGE NUT	EN1661 M8X1.25-10 VDA30
21	ACW1394490	1	STUD BOLT	DIN939 M8X1.25X45-8 VDA30
22	72654284	1	BUSHING	

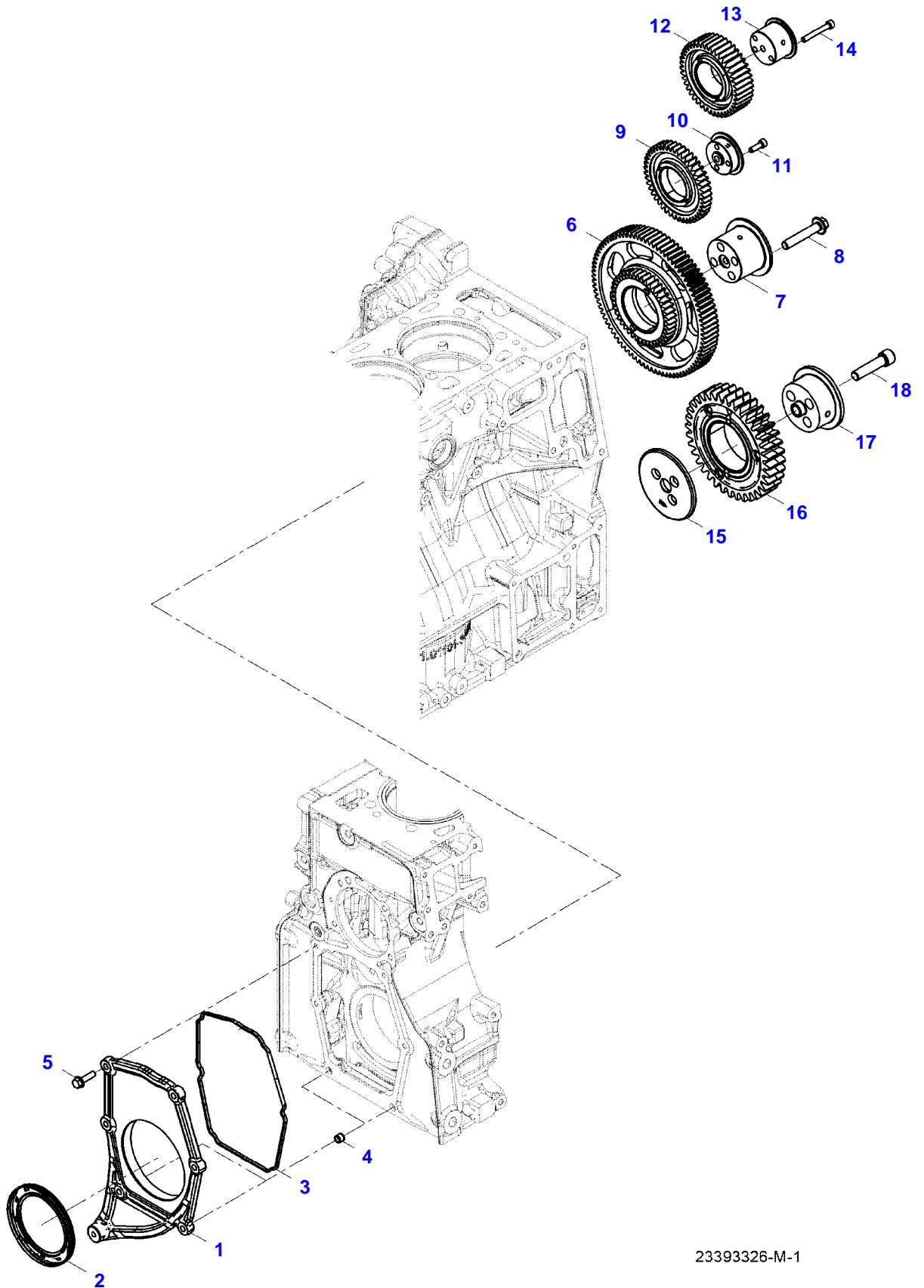
FENDT 936 GEN6 (WAM95923X00F00101-99999)
23393321-M-1



23393321-M-1

Item	Part Number	Qty	Description Comments	Technical Specification
1	72654549	1	CRANKCASE UPPER HALF	
2	72654550	6	LOCK WASHER	
3	72654551	1	SEALING WASHER	A30X36-CU
4	72654552	1	PLUG SCREW	
5	72624290	2	DOWEL	8M6X18
6	72654553	2	DOWEL	12H8X24-ST50-2K-ZNPHR3F
7	72654554	6	OIL SPLASH NOZZLE	
8	ACP0410440	6	HEX BOLT, WITH COLLAR	M6X12-10.9
9	72654555	1	CAP COVER	
10	72654556	3	SOCKET HEAD BOLT	M10X20
11	72654557	6	CYLINDER LINER	
12	72654558	12	SEALING WASHER	
13	72654559	14	HEX HEAD MACHINE SCREW	M16X1,5X156
14	72654560	2	PLUG SCREW	M16X1,5
15	72624540	2	PLUG SCREW	M22X1,5X9-5.8
17	72624556	4	CAP PLUG	A40,3/14,5-X5CRN11810N
19	72624285	2	SEALING PLUG	10X6,5-C15PB/9SMNPB28K-BK/BK
20	72314696	1	SEALING PLUG	

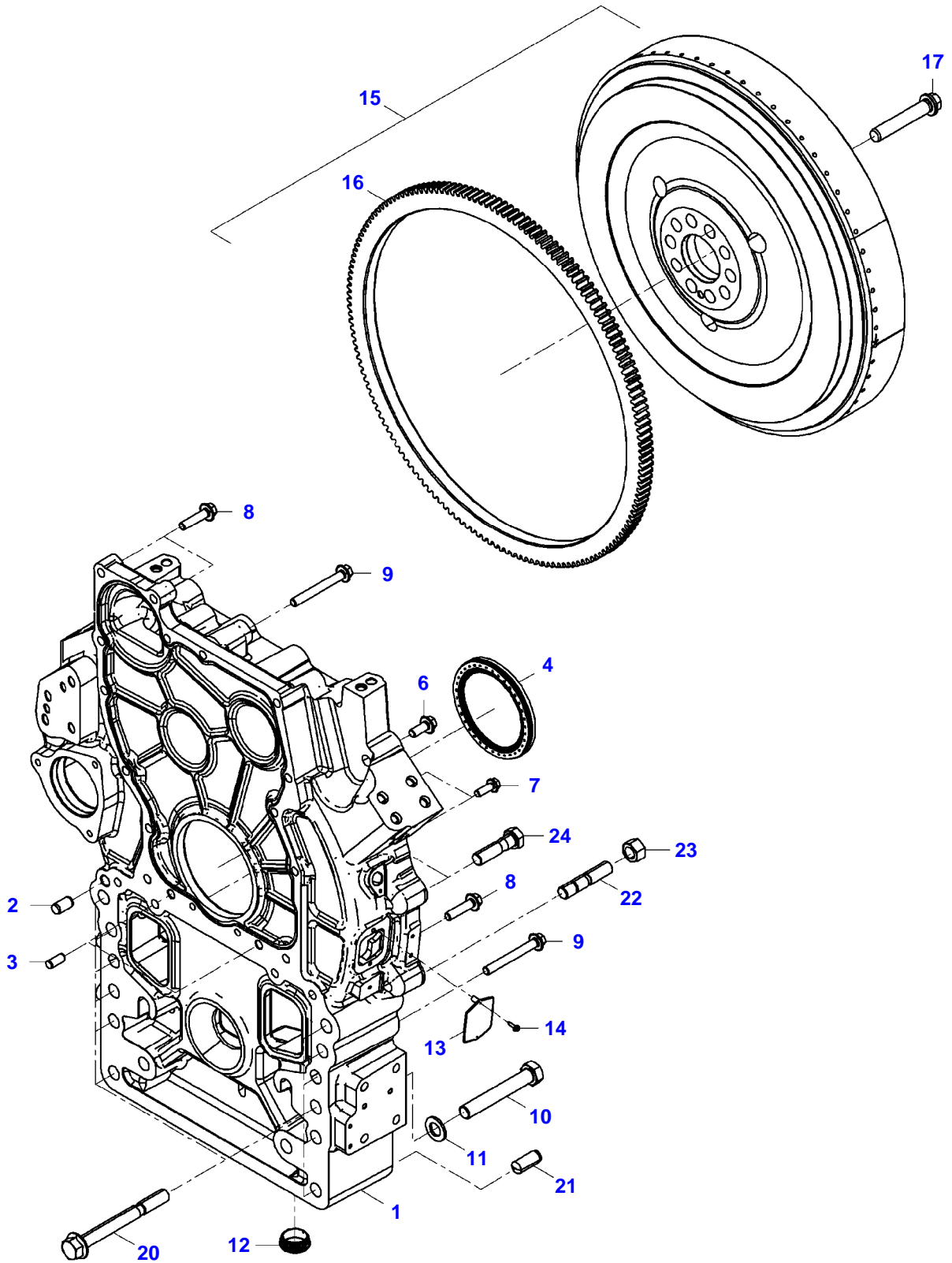
FENDT 936 GEN6 (WAM95923X00F00101-99999)
23393326-M-1



23393326-M-1

Item	Part Number	Qty	Description Comments	Technical Specification
1	72654561	1	LID	
2	72654562	1	SEALING WASHER	100X130X12LD
3	72654563	1	GASKET	
4	72654564	2	SLEEVE	
5	72624232	6	HEX FLANGE CAPSCREW	M8X30-10.9
6	72654565	1	GEAR,IDLER	
7	72654566	1	BOLT	
8	72624253	4	HEX FLANGE CAPSCREW	M14X80-10.9
9	72654567	1	GEAR,IDLER	
10	72654568	1	BOLT	
11	72624210	3	SOCKET HEAD BOLT	M8X25-10.9
12	72654570	1	GEAR,IDLER	
13	72654571	1	BOLT	
14	72654572	3	SOCKET HEAD BOLT	M8X60
15	72654574	1	START-UP BUSH	
16	72654575	1	GEAR,IDLER	
17	72654576	1	BOLT	
18	72624214	3	SOCKET HEAD BOLT	M12X50-10.9

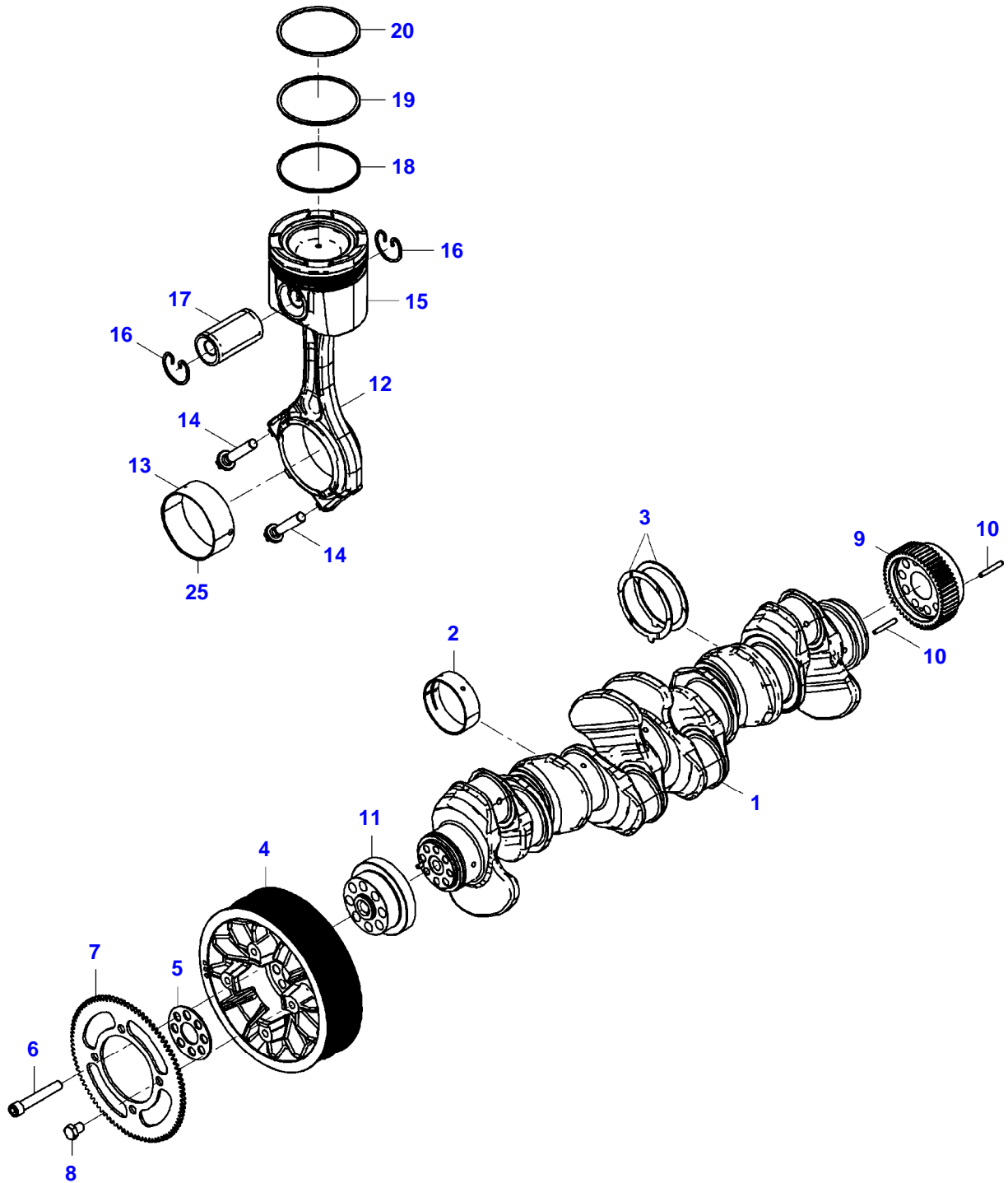
FENDT 936 GEN6 (WAM95923X00F00101-99999)
23393332-M-1



23393332-M-1

Item	Part Number	Qty	Description Comments	Technical Specification
1	72654577	1	FLYWHEEL HOUSING	
2	72624289	1	DOWEL	16H8X24-ST50-2K
3	72654553	2	DOWEL	12H8X24-ST50-2K-ZNPHR3F
4	72654578	1	SEALING WASHER	
6	72654579	8	HEX FLANGE CAPSCREW	M12X30-12.9
7	72624256	2	HEX FLANGE CAPSCREW	M10X30-12.9
8	72624258	4	HEX FLANGE CAPSCREW	M12X50-12.9
9	72624259	8	HEX FLANGE CAPSCREW	M12X100-12.9
10	72624205	2	HEXAGONAL HEAD BOLT	M20X130-10.9
11	72624281	2	WASHER	20X37X3-200HV
12	72314695	1	LOCKING PLUG	
13	ACP0353880	1	BLANK FLANGE	
14	ACP0406790	2	HEX TAPPING SCREW	ST4,2X16C
15	72654580	1	FLYWHEEL	
16	ACP0427450	1	STARTER RING	
17	72654581	10	HEX HEAD MACHINE SCREW	M16X1,5X88
20	ACW0934730	12	HEXAGON FLANGE BOLT	EN1665 M20X2.5X190-10 VDA42
21	72452520	2	CYLINDER PIN	DIN6325-20M6X50
22	ACW0942370	2	STUD BOLT	DIN939 M20X2.5X75-10 VDA42
23	ACW0863200	2	HEX NUT	ISO4032 M20X2.5-10 VDA42
24	ACW0936510	10	HEX BOLT	ISO4014 M20X2.5X75-10 VDA42

FENDT 936 GEN6 (WAM95923X00F00101-99999)
23393333-M-2

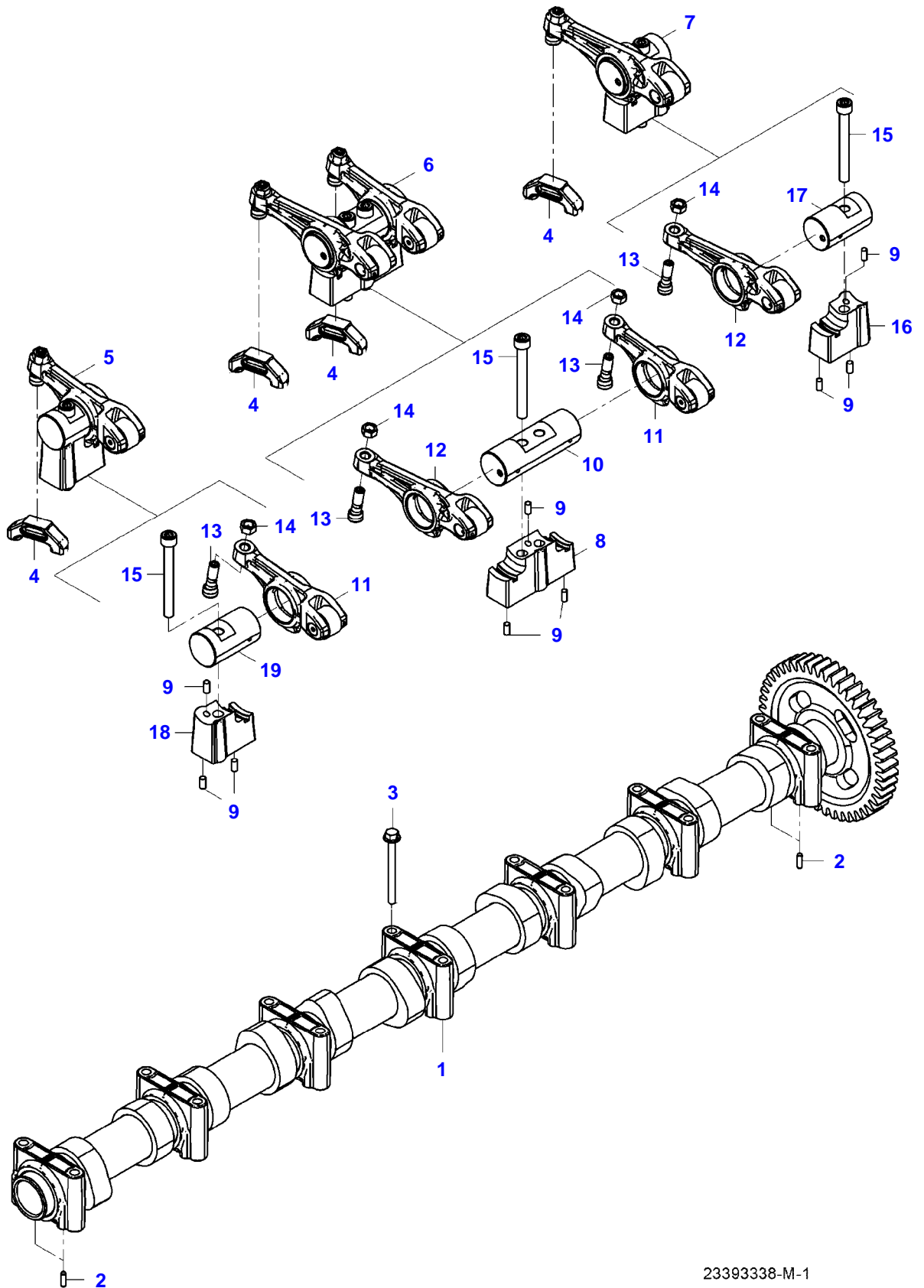


23393333-M-2

CRANKSHAFT AND PISTONS

Item	Part Number	Qty	Description Comments	Technical Specification
1	72654582	1	CRANKSHAFT	
2	72654583	7	MAIN BEARING	
3	72624336	2	THRUST WASHER	
4	72654587	1	VIBRATION DAMPER	
5	72654588	1	DISC	
6	72624212	8	SOCKET HEAD BOLT	M16X1,5X100-10.9
7	72654589	1	TOOTH WASHER	
8	72654590	4	HEXAGONAL HEAD BOLT	M16X20
9	72654591	1	CRANKSHAFT GEAR	
10	72654592	2	SPIRAL PIN	8X35-ST
11	72654593	1	CRANKSHAFT GEAR	
12	72654594	6	PISTON ROD	
13	72654595	6	CONROD BEARING UPPER	
14	72624545	12	HEXAGON FLANGE BOLT	M13X1,5X66-11.9
15	72654599	6	PISTON	
16	72654600	12	SNAPRING	
17	72654604	6	PISTON PIN	
18	72654603	6	U/MKME-CHAMF.RG.	
19	72654602	6	CHAMFER PIST.RG.	
20	72654601	6	TRAP.SECTION RG.	
25	72655424	6	CONROD BEARING LOWER	

FENDT 936 GEN6 (WAM95923X00F00101-99999)
23393338-M-1

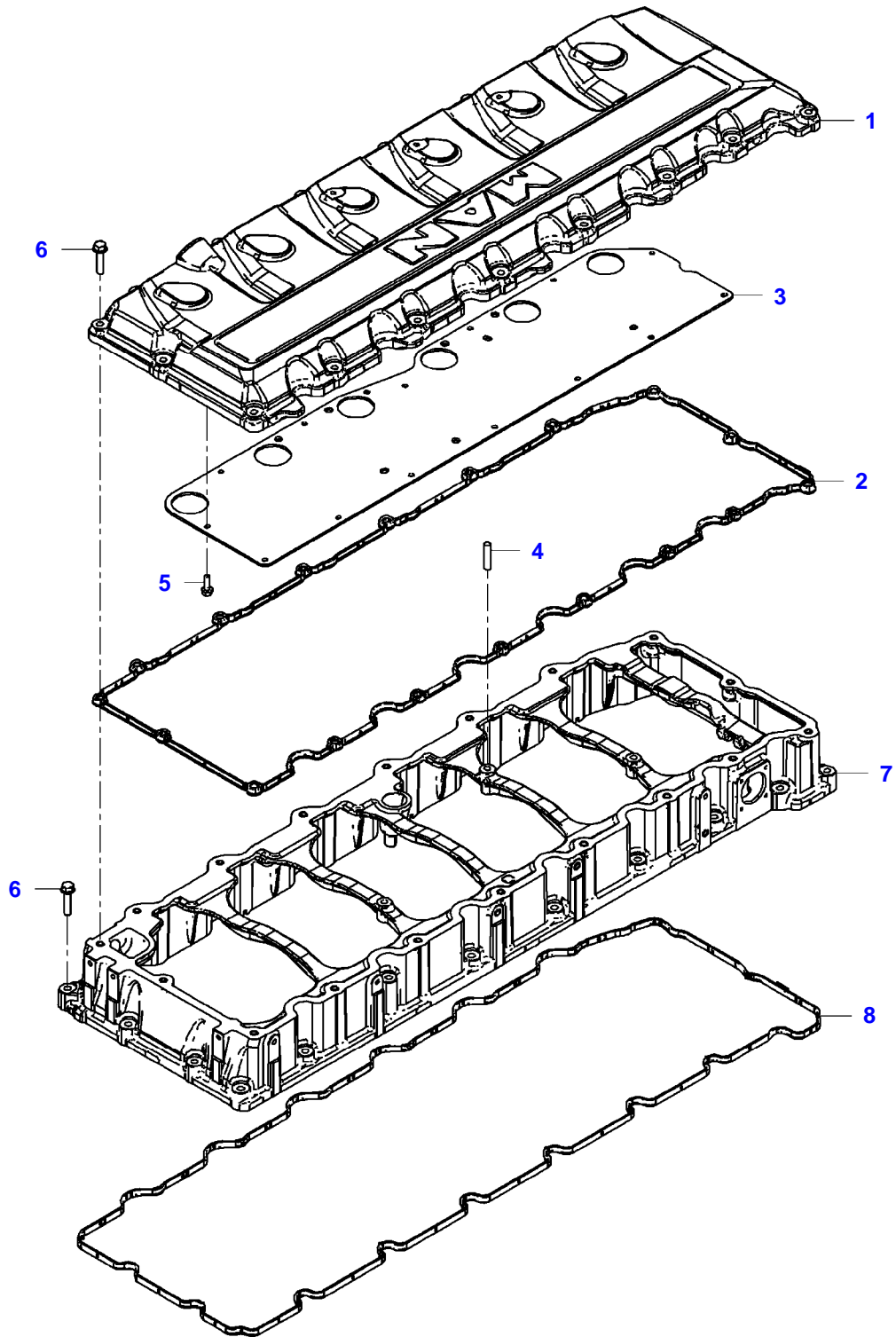


23393338-M-1

Item	Part Number	Qty	Description Comments	Technical Specification
1	72654605	1	CAMSHAFT	
2	72654606	4	DOWEL	4H8X12-ST50-2K
3	72654607	14	HEX FLANGE CAPSCREW	M6X65
4	72654611	12	VALVE BRIDGE UP TO ENGINE S/N 42254283095406	
	72658994	12	VALVE BRIDGE FROM ENGINE S/N 42254290325424	
5	72654610	1	ROCKER ARM	
6	72654608	5	ROCKER ARM	
7	72654609	1	ROCKER ARM	
8	72654612	5	ROCK.ARM BRACKET	
9	72313713	21	CYLINDER PIN	
10	72654613	5	ROCKER SHAFT ASM	
11	72654614	6	ROCKER ARM	
12	72654615	6	ROCKER ARM	
13	ACP0406940	12	ADJUSTING SCREW	M10X1X41,1-B-CF53-SW5
14	72313252	12	NUT	
15	72654616	12	SOCKET HEAD BOLT	M10X90
16	72654617	1	ROCK.ARM BRACKET	
17	72654618	1	ROCKER SHAFT ASM	
18	72654619	1	ROCK.ARM BRACKET	
19	72654620	1	ROCKER SHAFT ASM	

CYLINDER HEAD AND VALVES

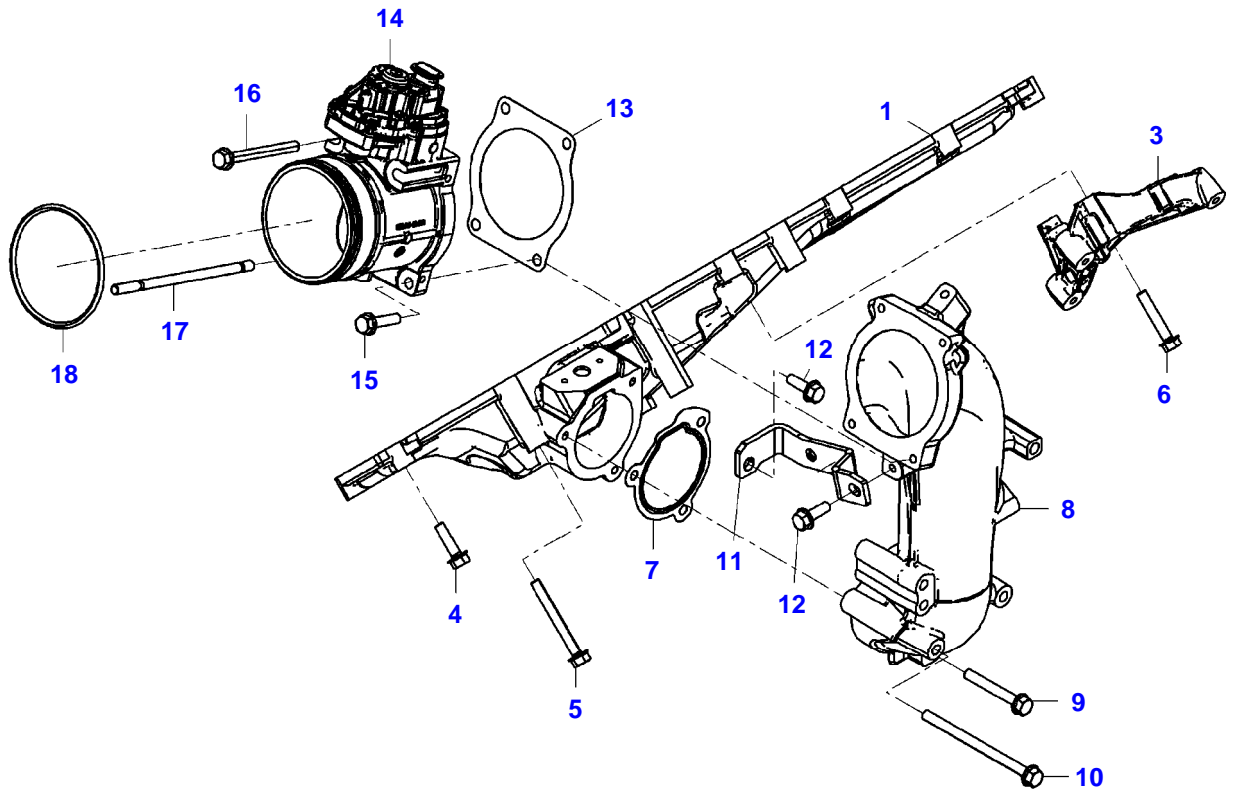
Item	Part Number	Qty	Description Comments	Technical Specification
1	72654621	1	CYLINDER HEAD	
2	72654622	1	GASKET	
3	72654623	26	HEX HEAD MACHINE SCREW	M16X1,5X216
4	72311429	20	COVER	
5	72311428	14	COVER	
6	ACP0357490	4	SEALING PLUG	12X7,5
7	72624558	1	CAP COVER	A63,1/12,5-X5CRNI1810N
8	72654624	2	PLUG SCREW	M24X1,5
9	72423359	2	GASKETS	
10	72624605	1	HOSE COUPLER	
11	72624302	1	SEALING WASHER	12,3X18X1,5-ST/FKM1-80
12	72654625	12	INLET VALVE	
13	72654627	12	EXHAUST VALVE	
14	72654628	24	GASKET	
16	72654629	24	VALVE SPRING	
17	72654630	24	VALVE SPRING RETAINER	
18	72624376	48	VALVE SPRING KEY	
19	72654631	1	LUG	
21	72654632	1	LUG	
22	72624495	1	SUSPENSION EYE	
23	72624249	6	HEX FLANGE CAPSCREW	M12X30-10.9



23393343-M-2

Item	Part Number	Qty	Description Comments	Technical Specification
1	72654541	1	CYLINDER HEAD COVER	
2	72654542	1	GASKET	
3	72654543	1	SPLASH SHIELD	
4	72654544	3	DOWEL	8M6X36-ST50-2K
5	72654517	14	HEX FLANGE CAPSCREW	M6X20
6	72654548	38	HEX FLANGE CAPSCREW	M8X35
7	72654546	1	FRAME PART	
8	72654547	1	GASKET	

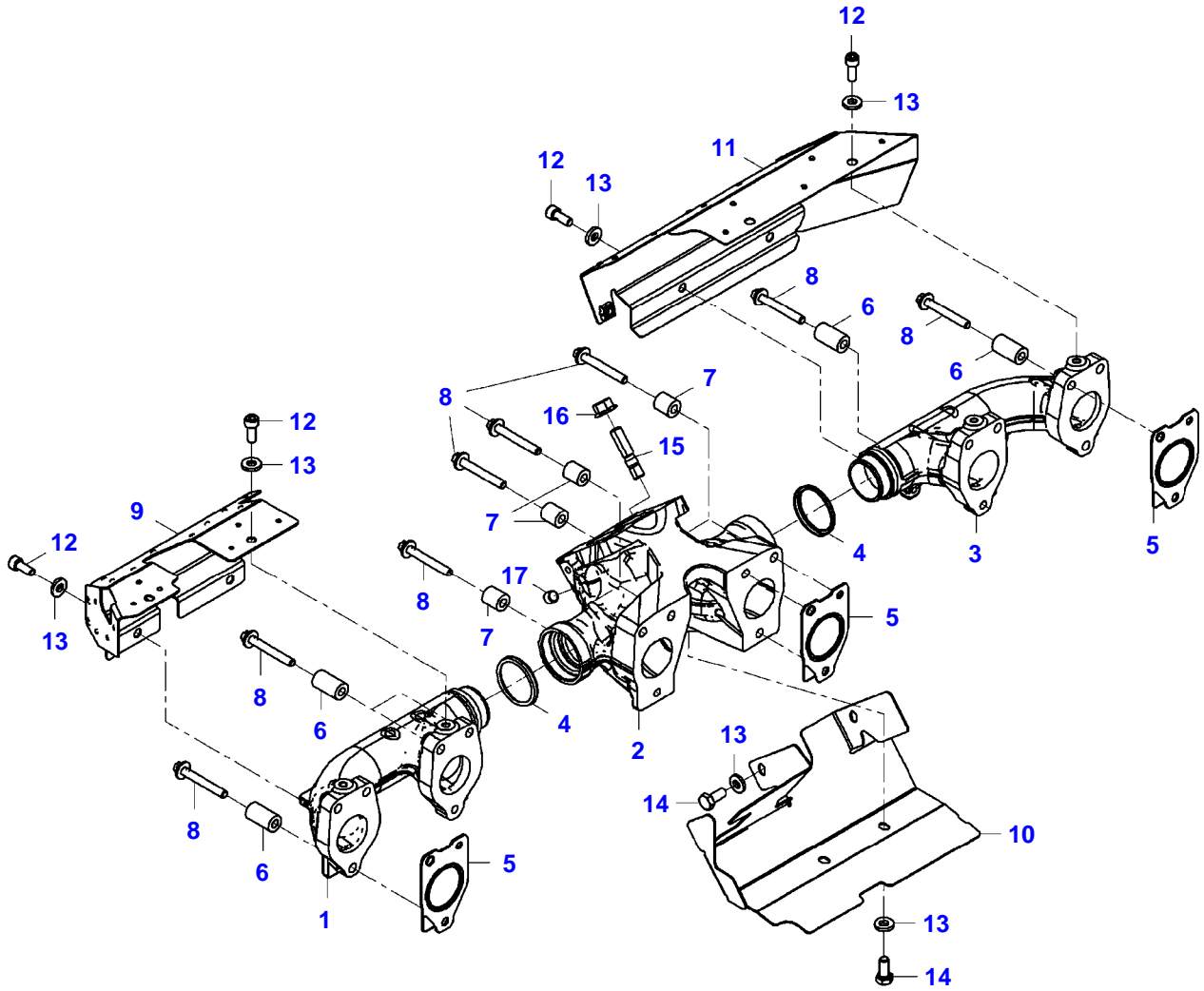
FENDT 936 GEN6 (WAM95923X00F00101-99999)
23393364-M-1



23393364-M-1

Item	Part Number	Qty	Description Comments	Technical Specification
1	72654752	1	LID	
3	72654753	1	CONSOLE	
4	72624232	10	HEX FLANGE CAPSCREW	M8X30-10.9
5	72455491	3	HEXAGONAL HEAD BOLT	
6	72624663	3	HEX FLANGE CAPSCREW	M8X45-10.9
7	72654754	1	GASKET	
8	72654755	1	CHARGE AIR ELBOW	
9	72654756	1	HEX FLANGE CAPSCREW	M8X60
10	72654527	2	HEX FLANGE CAPSCREW	M8X120
11	72654757	1	HOLDER	
12	72654525	2	HEX FLANGE CAPSCREW	M8X25
13	ACP0353620	1	GASKET	
14	72654758	1	THROTTLE FLAP	
15	72654548	1	HEX FLANGE CAPSCREW	M8X35
16	72654523	1	HEX FLANGE CAPSCREW	M8X85
17				
18	ACP0353390	1	NOT AVAILABLE IN SINGLE PARTS SEALING WASHER	92X4,5N-NBR3-70

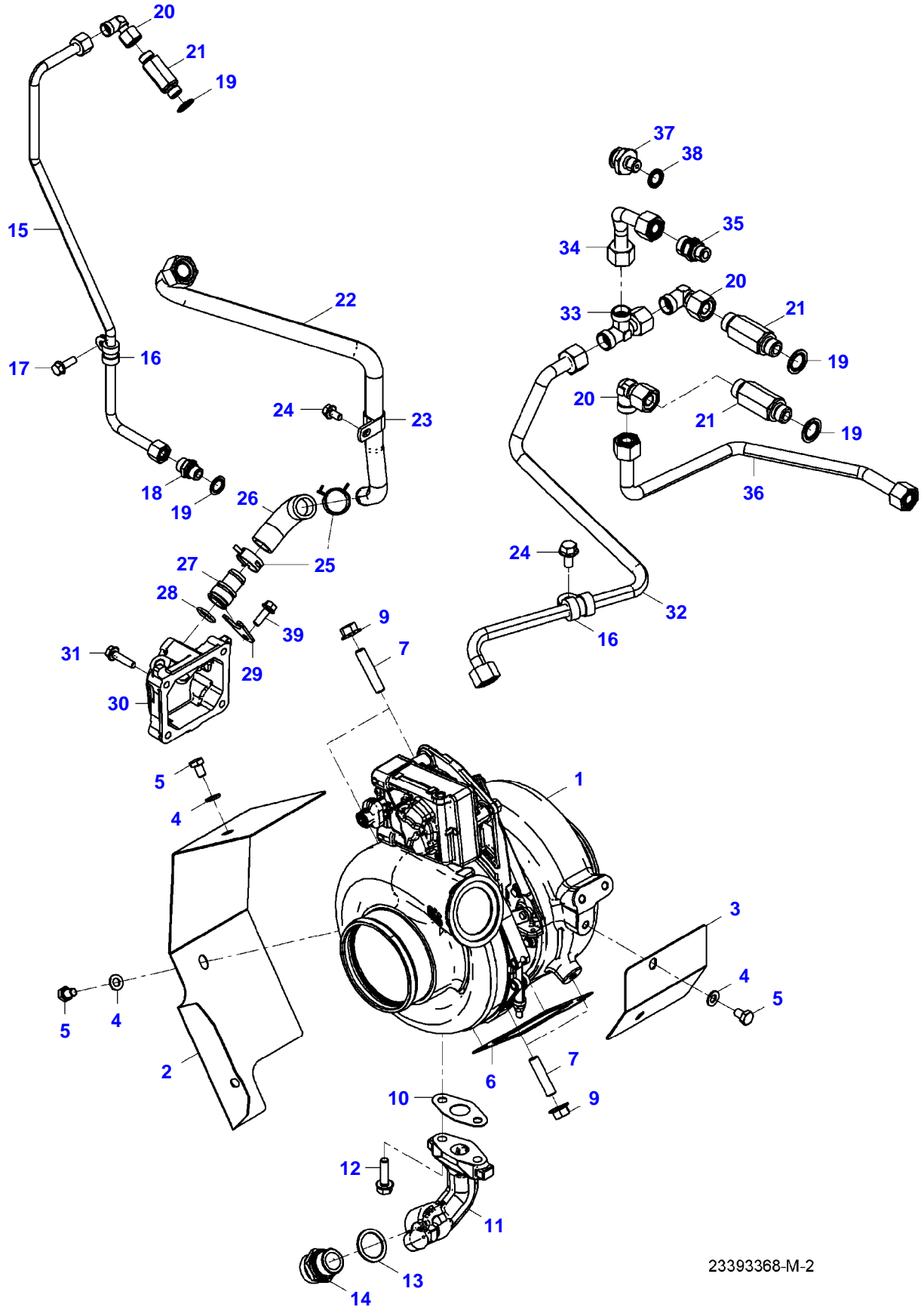
FENDT 936 GEN6 (WAM95923X00F00101-99999)
23393366-M-2



23393366-M-2

Item	Part Number	Qty	Description Comments	Technical Specification
1	72654633	1	EXHAUST MANIFOLD	
2	72654634	1	EXHAUST MANIFOLD	
3	72654635	1	EXHAUST MANIFOLD	
4	72654636	2	SEALING WASHER	
5	72654637	6	SEALING WASHER	
6	72654638	12	BUSHING	9X18X32,5
7	ACP0433110	6	BUSHING	9X18X20
8	72654639	18	HEX HEAD MACHINE SCREW	M8X58
9	72654640	1	FENDER	
10	72654641	1	FENDER	
11	72654642	1	FENDER	
12	72624535	8	SOCKET HEAD BOLT	M8X20-GA-C3J
13	72654643	12	WASHER	9X19X3-9SMNPB28K
14	72655463	4	HEXAGONAL HEAD BOLT	M8X18
15	72624539	2	STUD BOLT	M10X35-SD
16	72624276	2	SHOULDER HEX NUT	M10-GA-C3J
17	ACP0357440	1	PLUG SCREW	M10X1-ST-ZNPHR3F

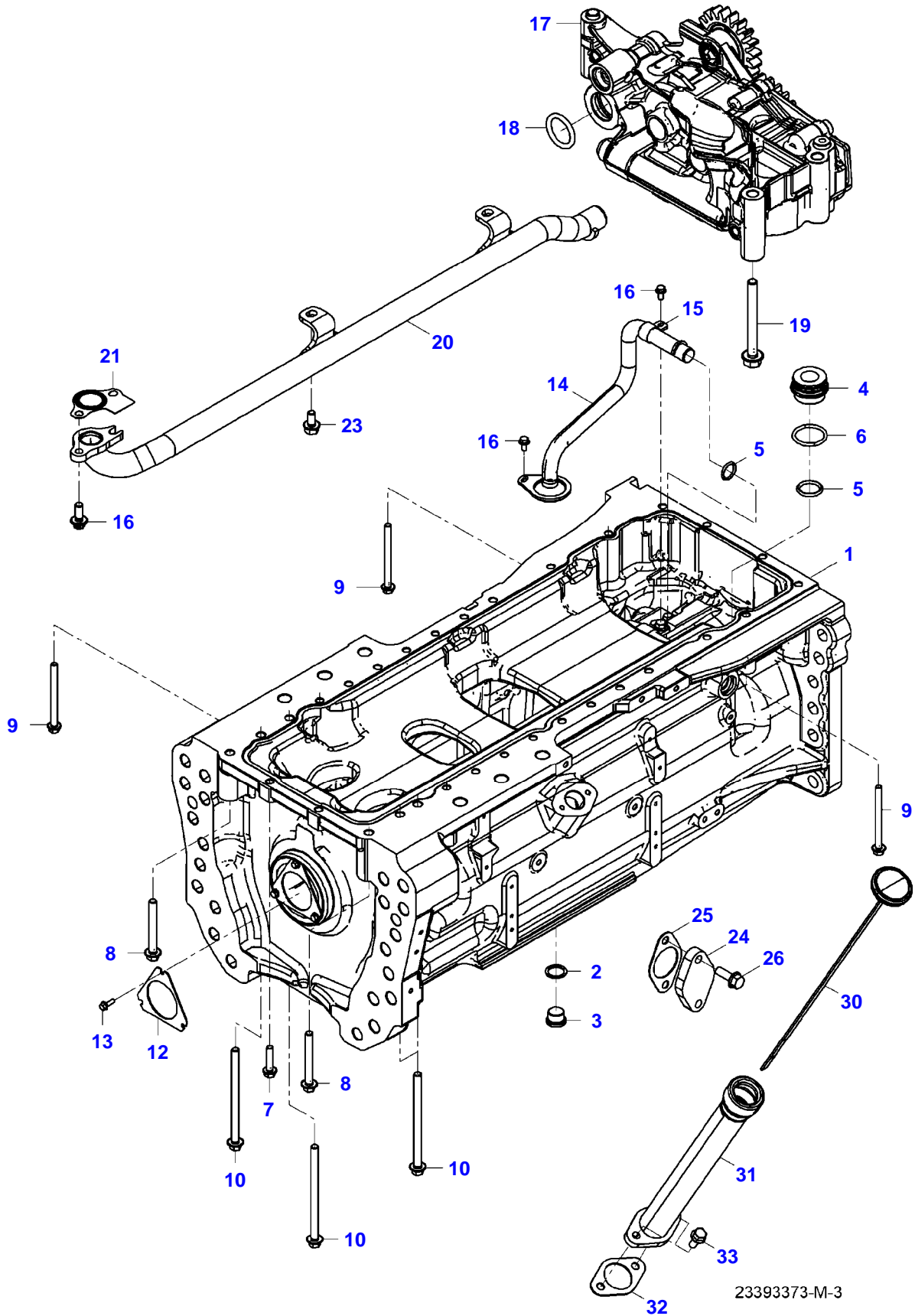
FENDT 936 GEN6 (WAM95923X00F00101-99999)
23393368-M-2



23393368-M-2

Item	Part Number	Qty	Description Comments	Technical Specification
1	72654644	1	TURBOCHARGER	
2	72654645	1	FENDER	
3	72654646	1	FENDER	
4	72654643	4	WASHER	9X19X3-9SMNPB28K
5	72655463	4	HEXAGONAL HEAD BOLT	M8X18
6	72624453	1	GASKET	
7	72624539	4	STUD BOLT	M10X35-SD
9	72624276	4	SHOULDER HEX NUT	M10-GA-C3J
10	72312268	1	SEAL	
11	72654648	1	FLANGE	
12	72624232	2	HEX FLANGE CAPSCREW	M8X30-10.9
13	72376037	1	SEALING WASHER	DIN 7603 A26X34-CU
14	72417169	1	THREADED STUD	
15	72654649	1	OIL PRESSURE LINE	
16	72608293	2	CLIP	
17	72624230	2	HEX FLANGE CAPSCREW	M8X20-10.9
18	72624321	1	THREADED SOCKET	L12A-M-ST
19	72624304	4	SEALING WASHER	16,3X24X1,5-ST/FKM1-80
20	72654650	3	SOCKET	L12
21	72654651	3	SOCKET	
22	72654652	1	OIL RETURN LINE	
23	72608301	1	PIPE CLAMP	
24	72624229	2	HEX FLANGE CAPSCREW	M8X16-10.9
25	72605607	2	CLIP	
26	72654654	1	HOSE	
27	72654655	1	HOSE BARB	
28	72654656	1	SEALING WASHER	22X3-FPM1-70-GN
29	72654657	1	HOLDER	36X3X35
30	72654658	1	LID	
31	72654548	4	HEX FLANGE CAPSCREW	M8X35
32	72654659	1	COOLANT LINE	
33	72654660	1	SOCKET	L12-ST
34	72654661	1	COOLANT LINE	
35	72624602	1	SOCKET	
36	72654662	1	COOLANT LINE	
37	72624605	1	HOSE COUPLER	
38	72624302	1	SEALING WASHER	12,3X18X1,5-ST/FKM1-80
39	72624231	1	HEX FLANGE CAPSCREW	M8X25-10.9

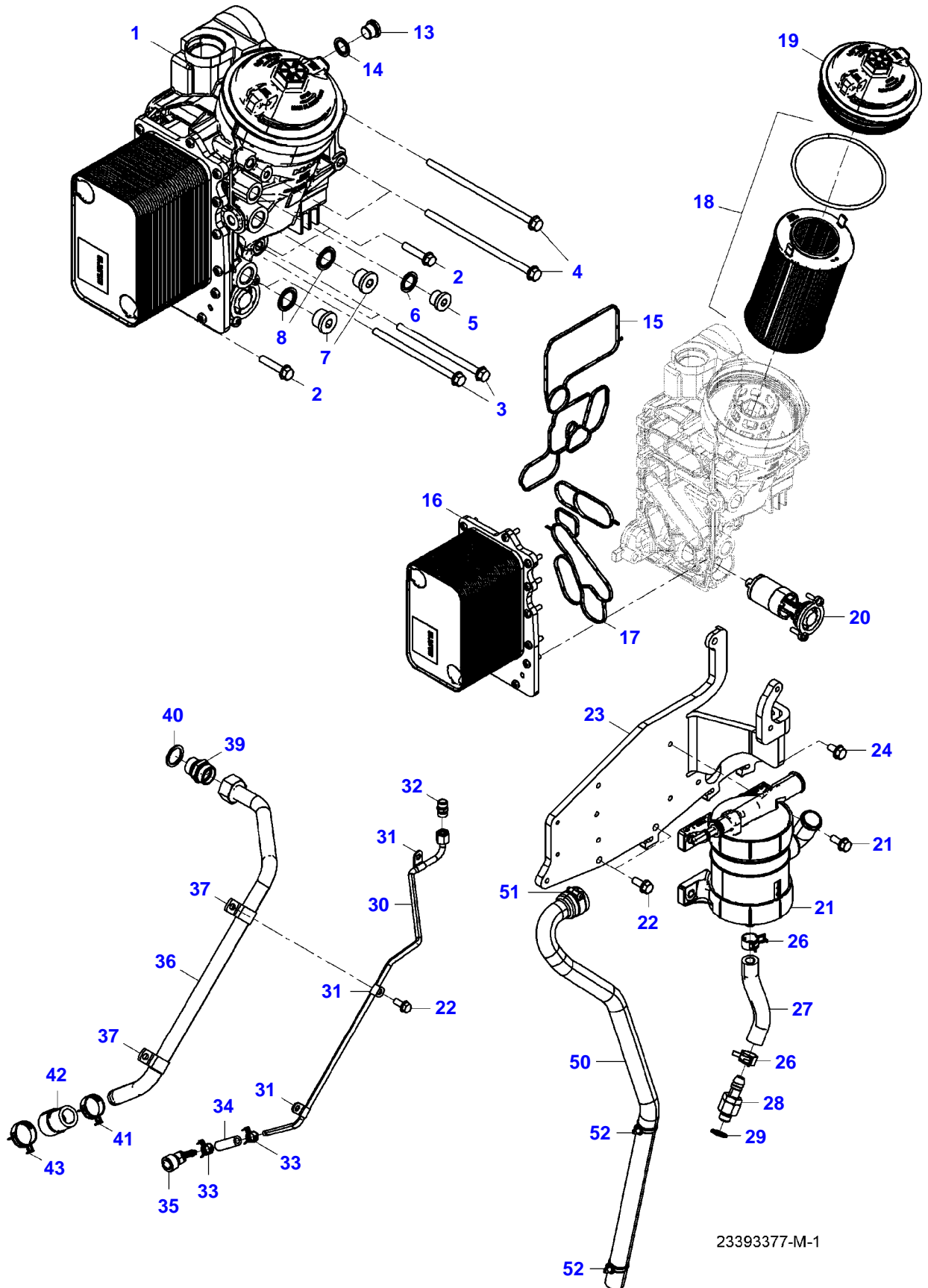
FENDT 936 GEN6 (WAM95923X00F00101-99999)
23393373-M-3



23393373-M-3

Item	Part Number	Qty	Description Comments	Technical Specification
1	72654663	1	OIL SUMP	
2	72376037	1	SEALING WASHER	DIN 7603 A26X34-CU
3	72649374	1	PLUG SCREW	M26X1,5-ST-A3C
4	72654664	1	TUBE	
5	72624309	2	O-RING SEAL	32X5N-FPM1-70-GN
6	ACP0357590	1	SEALING WASHER	45X5N-FPM1-70-GN
7	72624257	19	HEX FLANGE CAPSCREW	M10X45-12.9
8	72624259	2	HEX FLANGE CAPSCREW	M12X100-12.9
9	72654665	4	HEX FLANGE CAPSCREW	M10X120
10	72654666	4	HEX FLANGE CAPSCREW	M12X180
12	72654667	1	SUPPORT WASHER	
13	72624226	3	HEX FLANGE CAPSCREW	M6X20-10.9
14	72654668	1	OIL SUCTION LINE	
15	72654669	1	TUBE CLAMP	B32,2X25X46-9X13-S235JRFU
16	72624230	4	HEX FLANGE CAPSCREW	M8X20-10.9
17	72654671	1	OIL PUMP	
18	72313530	1	SEAL	
19	ACP0357280	3	HEX FLANGE CAPSCREW	M8X75-10.9
20	72654672	1	OIL PRESSURE LINE	
21	72654673	1	GASKET	
23	72624229	2	HEX FLANGE CAPSCREW	M8X16-10.9
24	72654674	1	BLANK FLANGE	76X48X12
25	72654675	1	GASKET	
26	72654525	2	HEX FLANGE CAPSCREW	M8X25
30	72652289	1	DIPSTICK	
31	72652288	1	OIL INFILL	
32	72452781	1	SEAL	
33	ACW0775830	2	HEXAGON FLANGE BOLT	EN1665 M8X1.25X20-8 VDA30

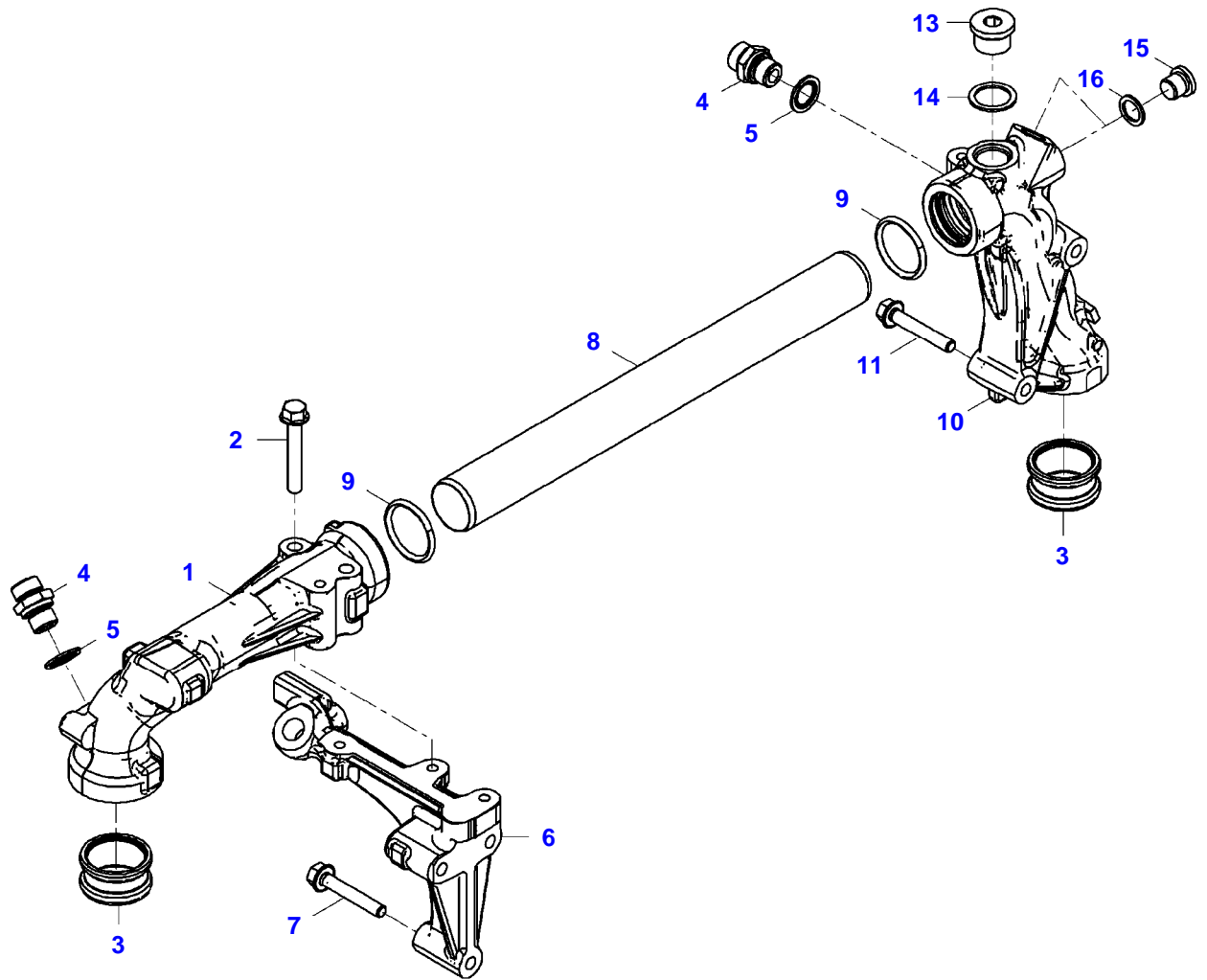
FENDT 936 GEN6 (WAM95923X00F00101-99999)
23393377-M-1



23393377-M-1

Item	Part Number	Qty	Description Comments	Technical Specification
1	72654686	1	OIL COOLER	
2	72624234	3	HEX FLANGE CAPSCREW	M8X40-10.9
3	72654687	3	HEX FLANGE CAPSCREW	M8X140
4	72654688	3	HEX FLANGE CAPSCREW	M8X180
5	72629226	1	PLUG SCREW	
6	72623466	1	SEALING WASHER	PCS-18,3X26-ST/FKM1-80
7	72624265	2	PLUG SCREW	M22X1,5-ST
8	72622285	2	SEALING WASHER	
13	72624272	1	PLUG SCREW	M16X1,5-ST-M3360-RK9-K
14	72624304	1	SEALING WASHER	16,3X24X1,5-ST/FKM1-80
15	72654689	1	GASKET	
16	72654690	1	OIL COOLER	
17	72654691	1	GASKET	
18	72638610	1	OIL FILTER	MOTOROEL
19	72654692	1	LID	
20	72654693	1	TEMP.REGULATOR	
21	72654702	1	ENGINE BREATHING	
22	72624230	10	HEX FLANGE CAPSCREW	M8X20-10.9
23	72654703	1	HOLDER	
24	72624229	2	HEX FLANGE CAPSCREW	M8X16-10.9
26	72654694	2	SPRING BAND CLAMP	A-23X12
27	72654695	1	HOSE	N1-12
28	72654704	1	SOCKET	
29	72624303	1	SEALING WASHER	14,3X22X1,5-ST/FKM1-80
30	72654696	1	BREATHER PIPE	
31	72624585	3	TUBE CLAMP	A8X16X28-9-UST37-2
32	72654697	1	SOCKET	S-L8
33	72654698	2	SPRING BAND CLAMP	14X10-CK67-BL
34	72654699	1	HOSE	
35	72654700	1	ANGLE RECEPTACLE	
36	72654701	1	BREATHER PIPE	
37	72608301	2	PIPE CLAMP	
39	72417169	1	THREADED STUD	
40	72376037	1	SEALING WASHER	DIN 7603 A26X34-CU
41	72608303	1	CLIP	
42	72624572	1	HOSE	
43	72605607	1	CLIP	
50	72654281	1	HOSE	
51	72311168	1	HOSE CLIP	
52	72476772	2	CABLE STRAP	FWN 66650

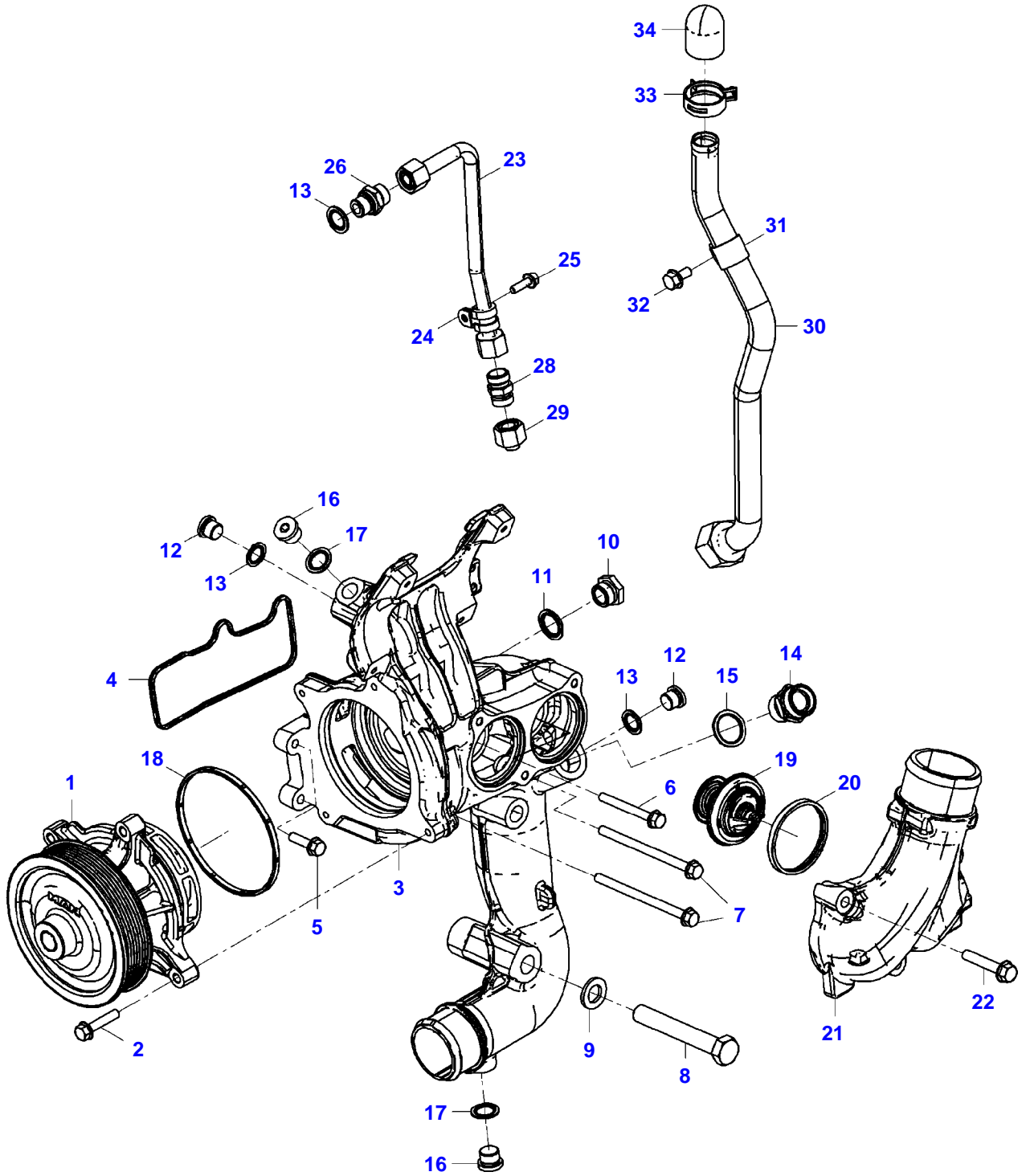
FENDT 936 GEN6 (WAM95923X00F00101-99999)
23393378-M-1



23393378-M-1

Item	Part Number	Qty	Description Comments	Technical Specification
1	72654744	1	COOLANT MANIFOLD	
2	72624235	2	HEX FLANGE CAPSCREW	M8X55-10.9
3	72624608	2	EXTENSION TUBE	
4	72624321	2	THREADED SOCKET	L12A-M-ST
5	72624304	2	SEALING WASHER	16,3X24X1,5-ST/FKM1-80
6	72654745	1	CONSOLE	
7	72654746	3	HEX FLANGE CAPSCREW	M8X50
8	72654747	1	COOLANT TUBE	
9	72654748	2	SEALING WASHER	34X4N-FPM2-70
10	72654749	1	COOLANT MANIFOLD	
11	72433860	2	TORX SCREW	
13	72624265	1	PLUG SCREW	M22X1,5-ST
14	72654750	1	SEALING WASHER	A22X29-CU
15	72629224	2	PLUG SCREW	
16	72654751	2	SEALING WASHER	A14X20-CU

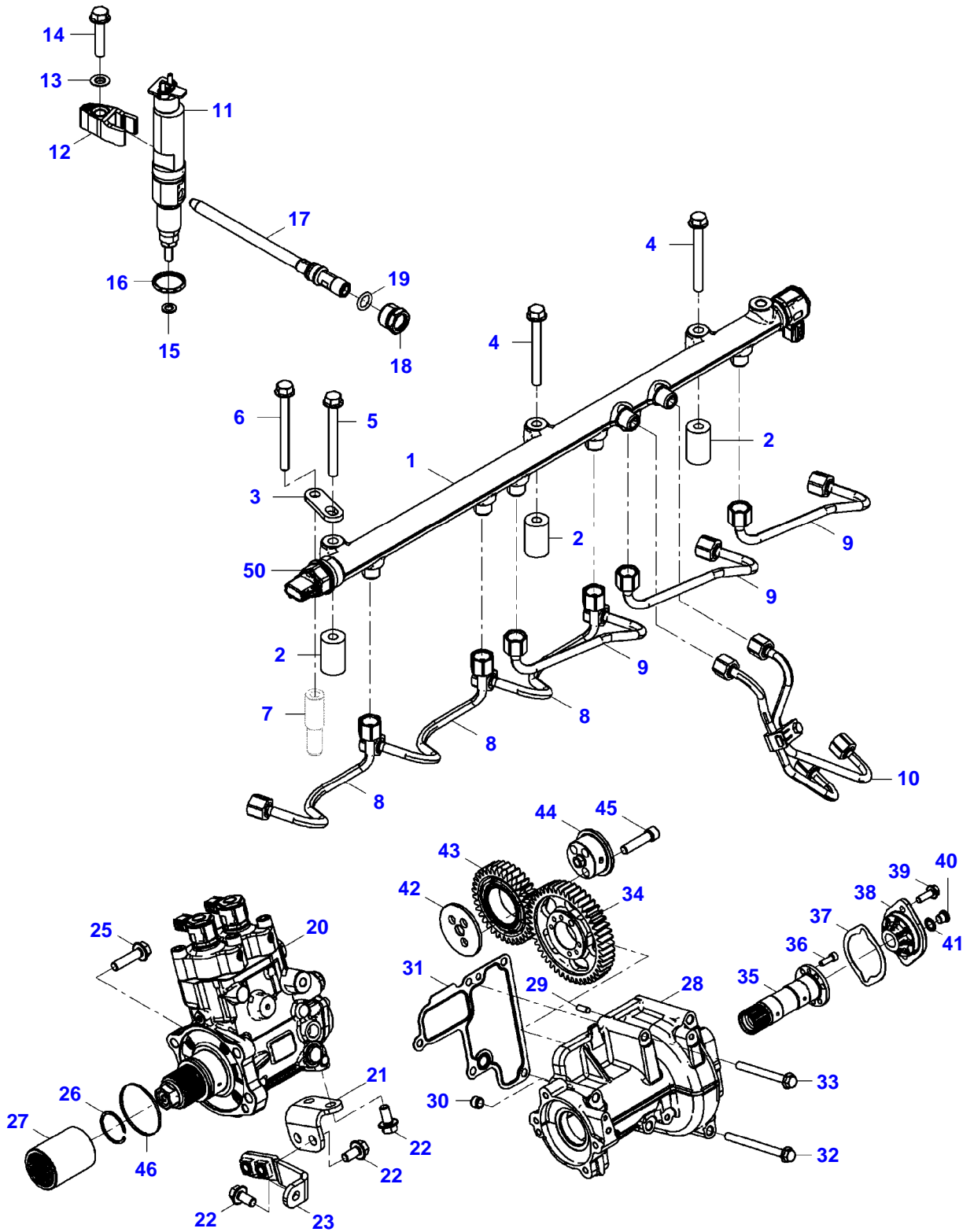
FENDT 936 GEN6 (WAM95923X00F00101-99999)
23393379-M-1



23393379-M-1

Item	Part Number	Qty	Description Comments	Technical Specification
1	72654730	1	COOLANT PUMP	
2	72654731	4	HEX FLANGE CAPSCREW	M8X40
3	72654732	1	DISTRIBUTOR BODY	
4	72654733	1	GASKET	
5	72624232	2	HEX FLANGE CAPSCREW	M8X30-10.9
6	72455491	2	HEXAGONAL HEAD BOLT	
7	ACP0353310	2	HEX FLANGE CAPSCREW	M8X120-10.9-MAN183-B1
8	72654734	1	HEX FLANGE CAPSCREW	M16X110
9	72654735	1	WASHER	16X30X3
10	72654736	1	ADAPTER NIPPLE	
11	72622285	1	SEALING WASHER	
12	72649377	2	PLUG SCREW	M16X1,5
13	72624304	3	SEALING WASHER	16,3X24X1,5-ST/FKM1-80
14	72417169	1	THREADED STUD	
15	72423368	1	GASKETS	
16	72629226	2	PLUG SCREW	
17	72623466	2	SEALING WASHER	PCS-18,3X26-ST/FKM1-80
18	72654737	1	GASKET	
19	72654738	2	THERMOSTAT	83°
20	72624437	2	THERMOSTAT SEAL	
21	72654739	1	COOLANT MANIFOLD	
22	72624663	3	HEX FLANGE CAPSCREW	M8X45-10.9
23	72654740	1	COOLANT LINE	
24	72654682	1	HOLDER	D1-12X15-W4-EPDM
25	72654517	1	HEX FLANGE CAPSCREW	M6X20
26	72624321	1	THREADED SOCKET	L12A-M-ST
28	72654741	1	SOCKET	S-L12
29	72624543	1	LOCKING PLUG	M18X1,5
30	72654742	1	COOLANT LINE	
31	72608301	1	PIPE CLAMP	
32	72624229	1	HEX FLANGE CAPSCREW	M8X16-10.9
33	72608303	1	CLIP	
34	72654743	1	RUBBER CAP	22-EPDM1-70

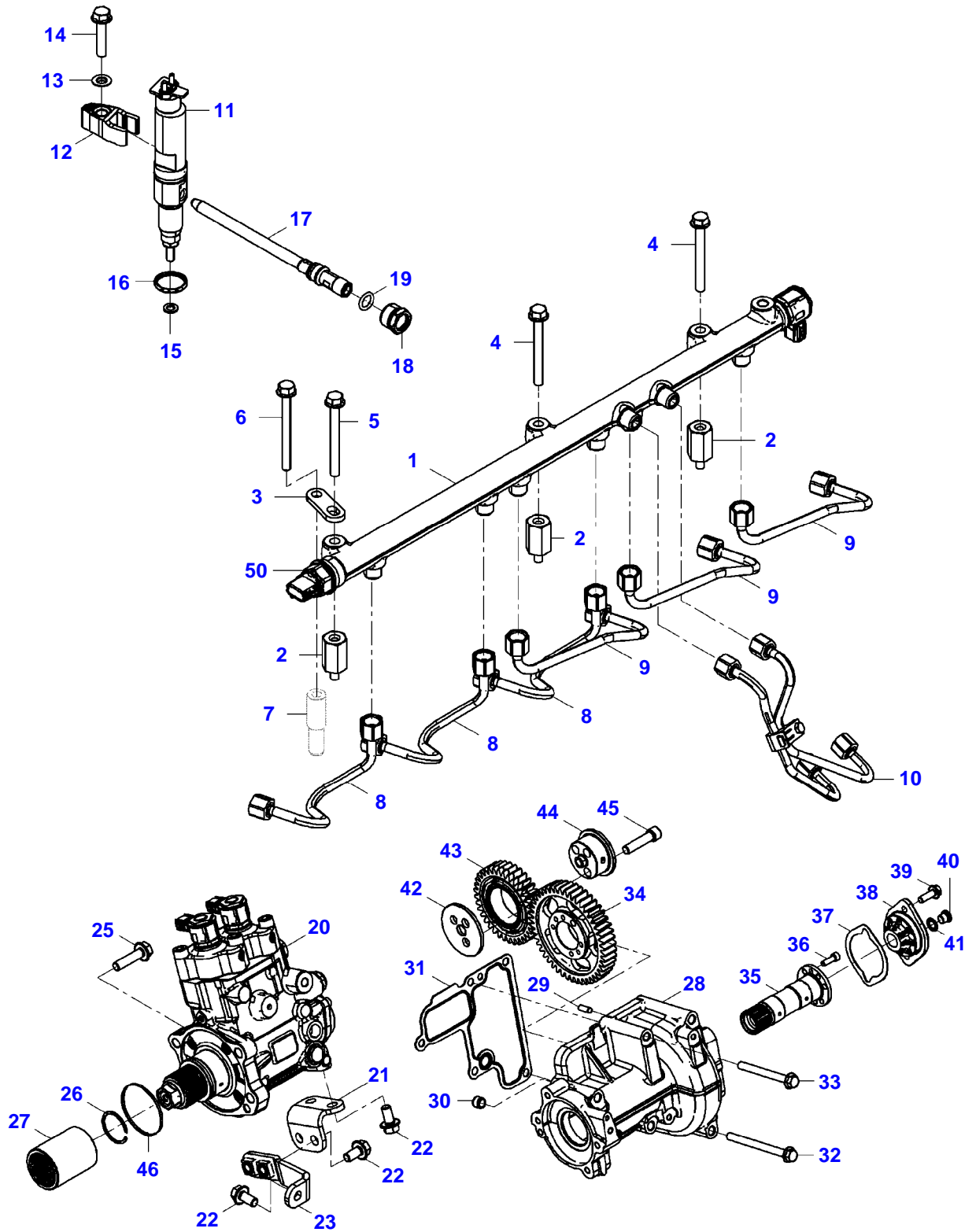
FENDT 936 GEN6 (WAM95923X00F00101-99999)
23393380-M-3



23393380-M-3

Item	Part Number	Qty	Description Comments	Technical Specification
			UP TO ENGINE S/N 42252790555277	
1	72654705	1	BOOST PIPE	RAIL
2	72654706	3	BUSHING	8,5X22X35
3	72654707	1	HOLDER	
4	72624236	2	HEX FLANGE CAPSCREW	M8X80-10.9
5	ACP0353320	1	HEX FLANGE CAPSCREW	M8X85-10.9-MAN183-B1
6	ACP0357240	1	HEX FLANGE CAPSCREW	M8X80-8.8
7				
			NOT AVAILABLE IN SINGLE PARTS	
8	72654709	3	INJECTION PIPE	
9	72654710	3	INJECTION PIPE	
10	72654711	1	PIPE	
11	72654712	6	INJECTOR COMPL.	
12	72654713	6	COMPRESSION FLANGE	
13	72639749	6	SPHERICAL WASHER	C8,4-ST-MAN 183-B13
14	72624234	6	HEX FLANGE CAPSCREW	M8X40-10.9
15	72654714	6	SEALING WASHER	
16	72654715	6	SEALING WASHER	
17	72654716	6	INJECTION PIPE NOZZLE	
18	ACP0359050	6	PRESSURE SCREW	
19	72654717	6	SEALING WASHER	
20	72654718	1	HIGH PRESSURE INJECTION PUMP	
21	72654719	1	HOLDER	
22	72624241	5	HEX FLANGE CAPSCREW	M10X20-10.9
23	72654720	1	HOLDER	
25	72654721	4	HEX FLANGE CAPSCREW	M10X40
26	72654722	1	LOCK WASHER	
27	72654723	1	SLEEVE	
28	72654724	1	DRIVE FLANGE	
29	72624288	1	DOWEL	8H8X18-ST50-2K-ZNPHR3F
30	72624562	1	SLEEVE	
31	72654725	1	GASKET	
32	72624247	2	HEX FLANGE CAPSCREW	M10X120-10.9
33	72624245	3	HEX FLANGE CAPSCREW	M10X100-10.9
34	72654573	1	DRIVE GEAR	
35	72654726	1	DRIVE SHAFT	
36	72624210	6	SOCKET HEAD BOLT	M8X25-10.9
37	72654727	1	GASKET	
38	72654728	1	LID	
39	72654729	2	HEX FLANGE CAPSCREW	M10X30
40	72629224	1	PLUG SCREW	
41	72624303	1	SEALING WASHER	14,3X22X1,5-ST/FKM1-80
42	72654574	1	START-UP BUSH	
43	72654575	1	GEAR, IDLER	
44	72654576	1	BOLT	
45	72624214	3	SOCKET HEAD BOLT	M12X50-10.9
46	72654708	1	SEALING WASHER	
50				
			NOT AVAILABLE IN SINGLE PARTS B086	

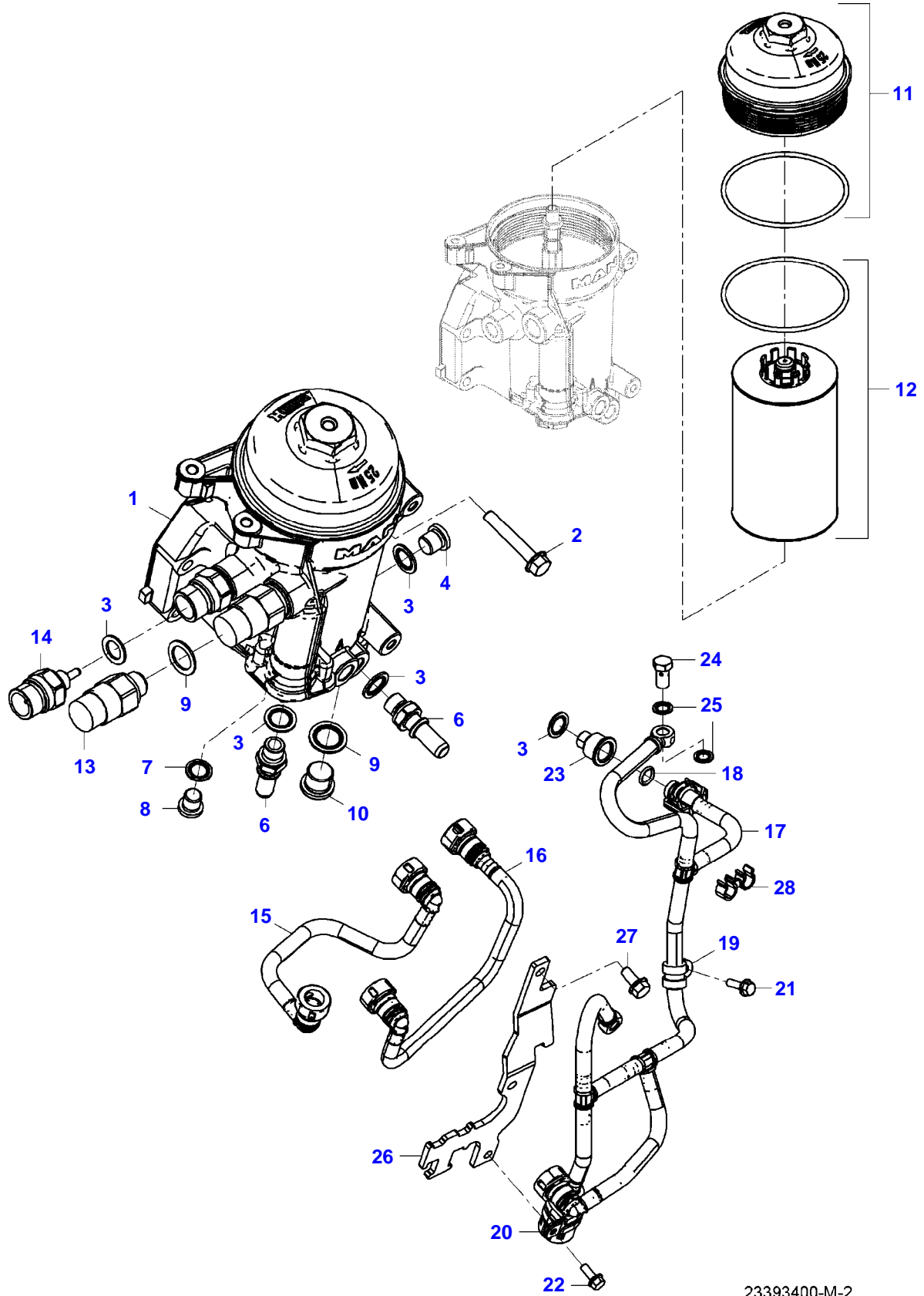
FENDT 936 GEN6 (WAM95923X00F00101-99999)
26590038-M-1



26590038-M-1

Item	Part Number	Qty	Description Comments	Technical Specification
			FROM ENGINE S/N 42253770505371	
1	72654705	1	BOOST PIPE	RAIL
2	72658879	3	HEX BUSHING	
3	72654707	1	HOLDER	
4	72624663	2	HEX FLANGE CAPSCREW	M8X45-10.9
5	72433860	1	TORX SCREW	
6	ACP0357240	1	HEX FLANGE CAPSCREW	M8X80-8.8
7				
			NOT AVAILABLE IN SINGLE PARTS	
8	72654709	3	INJECTION PIPE	
9	72654710	3	INJECTION PIPE	
10	72654711	1	PIPE	
11	72654712	6	INJECTOR COMPL.	
12	72654713	6	COMPRESSION FLANGE	
13	72639749	6	SPHERICAL WASHER	C8,4-ST-MAN 183-B13
14	72624234	6	HEX FLANGE CAPSCREW	M8X40-10.9
15	72654714	6	SEALING WASHER	
16	72654715	6	SEALING WASHER	
17	72654716	6	INJECTION PIPE NOZZLE	
18	ACP0359050	6	PRESSURE SCREW	
19	72654717	6	SEALING WASHER	
20	72654718	1	HIGH PRESSURE INJECTION PUMP	
21	72654719	1	HOLDER	
22	72624241	5	HEX FLANGE CAPSCREW	M10X20-10.9
23	72654720	1	HOLDER	
25	72654721	4	HEX FLANGE CAPSCREW	M10X40
26	72654722	1	LOCK WASHER	
27	72654723	1	SLEEVE	
28	72654724	1	DRIVE FLANGE	
29	72624288	1	DOWEL	8H8X18-ST50-2K-ZNPHR3F
30	72624562	1	SLEEVE	
31	72654725	1	GASKET	
32	72624247	2	HEX FLANGE CAPSCREW	M10X120-10.9
33	72624245	3	HEX FLANGE CAPSCREW	M10X100-10.9
34	72654573	1	DRIVE GEAR	
35	72654726	1	DRIVE SHAFT	
36	72624210	6	SOCKET HEAD BOLT	M8X25-10.9
37	72654727	1	GASKET	
38	72654728	1	LID	
39	72654729	2	HEX FLANGE CAPSCREW	M10X30
40	72629224	1	PLUG SCREW	
41	72624303	1	SEALING WASHER	14,3X22X1,5-ST/FKM1-80
42	72654574	1	START-UP BUSH	
43	72654575	1	GEAR, IDLER	
44	72654576	1	BOLT	
45	72624214	3	SOCKET HEAD BOLT	M12X50-10.9
46	72654708	1	SEALING WASHER	
50				
			NOT AVAILABLE IN SINGLE PARTS	
			B086	

FENDT 936 GEN6 (WAM95923X00F00101-99999)
23393400-M-2



23393400-M-2

Thank you so much for reading.
Please click the “Buy Now!”
button below to download the
complete manual.



After you pay.

You can download the most
perfect and complete manual in
the world immediately.

Our support email:

ebooklibonline@outlook.com