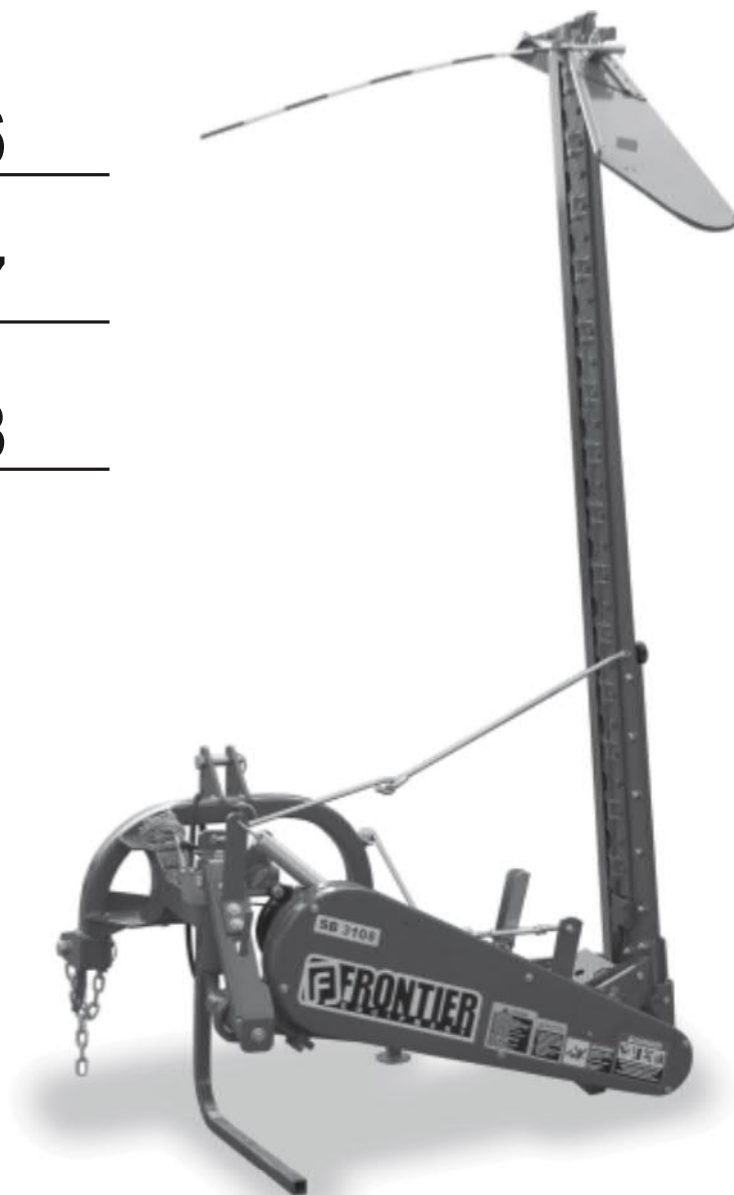


# SICKLE BAR

**SB 3106**

**SB 3107**

**SB 3108**



**FRONTIER**  
EQUIPMENT

# TABLE OF CONTENTS

<b>Description</b>		<b>Service Machine Safely</b>	
Description of the sickle bar .....	5	Practice safe maintenance.....	26
Assembly drawing .....	6	Wear appropriate clothing .....	26
		Stay clear of rotating drivelines .....	26
		Maintenance .....	26
<b>Technical specification</b>		<b>Service</b>	
Technical specification .....	7	Lubrication .....	28
Handling .....	7	Routine maintenance .....	28
		Every 2 work hours .....	28
<b>Safety signs</b>		Every 8 work hours .....	28
Safety-Alert simbol .....	8	Every 50 work hours .....	28
Identification machine .....	8	Periodically (6 months) .....	28
Machine safety labels .....	8	After each mowing job .....	28
		Cleaning and oiling the cutters .....	29
<b>Machine safety labels and positions</b>		Checking the clearance tolerance .....	29
Machine safety labels and positions .....	9	Storage .....	30
		Extra maintenance .....	31
<b>Preparing the vehicle</b>		Replacement of section-holding bar .....	31
Preparing the tractor .....	10	Replacement of sections .....	31
Park vehicle safety .....	10	Replacement of bar holding removable	
Stay clear of rotating drivelines .....	10	tooth .....	32
		Replacement of removable tooth .....	32
<b>Installing</b>		Replacement of belts .....	32
Installing sickle bar on tractor .....	10	Replacement of pulleys .....	32
PTO shaft adaption .....	12		
Stability of sickle bar and tractor during		<b>Demolition and disposal</b>	
transport .....	13	Demolition and disposal .....	33
Quick Coupler (optional) .....	14		
Park vehicle safety .....	14	<b>Assembly</b>	
Stay clear of rotating drivelines .....	14	Assembly .....	34
<b>Removing</b>		<b>Transport on road</b>	
Removing sickle bar .....	15	Transport on road .....	40
Removing sickle bar with Quick Coupler ....	15		
		<b>Spare parts</b>	
<b>Operating</b>		Spare parts .....	41
Operate safely .....	16		
Wear appropriate clothing .....	17	<b>Decal kit and location</b>	
Stay clear of rotating drivelines .....	17	Decal kit and location .....	54
Adapting the mowing bar .....	18		
Adjustment .....	19	<b>Warranty</b>	
Mowing .....	20	Warranty .....	56
Hazard bar .....	20	Warranty for replacement parts .....	57
Use of lifting device .....	22		
Mowing on flat ground .....	23		
Mowing on sloping ground .....	24		
Table approximate for choice of the			
cutting bar .....	25		

---

---

**TO THE DEALER:**

Assembly and proper installation of this product is the responsibility of the Frontier dealer. Read manual instruction and safety rules. Make sure all items on the Dealer's Pre-Delivery Check List in the Operator's Manual are completed before releasing equipment to the owner.

The dealer must complete the Warranty Registration, located on the Frontier website. **Warranty claims will be denied if the Warranty Registration has not been completed.**

**TO THE OWNER:**

Read this manual before operating your frontier equipment. The information presented will prepare you to do a better and a safer job. Keep this manual handy for ready reference. Require all operators to read this manual carefully and become acquainted with all the adjustment and operating procedures before attempting to operate. Replacement manuals can be obtained from your selling dealer.

The equipment you have purchased has been carefully engineered and manufactured to provide dependable and satisfactory use. Like all mechanical products, it will require cleaning and upkeep. Lubricate the unit as specified. Observe all safety information in this manual and safety decals on the equipment.

For service, your authorized Frontier dealer has trained mechanics, genuine Frontier service parts, and the necessary tools and equipment to handle all your needs.

Use only genuine Frontier service parts. Substitute parts will void the warranty and may not meet standards required for safe and satisfactory operation. Record the model number and serial number of your equipment in the spaces provided:

**Model:** \_\_\_\_\_ **Date of Purchase** \_\_\_\_\_

**Serial Number: (see Safety Decal section for location)** \_\_\_\_\_

Provide this information to your dealer to obtain correct repair parts.

Throughout this manual, the term **IMPORTANT** is used to indicate that failure to observe can cause damage to equipment. The terms **CAUTION**, **WARNING** and **DANGER** are used in conjunction with the Safety-Alert Symbol, (a triangle with an exclamation mark), to indicate the degree of hazard for items of personal safety.



This Safety-Alert Symbol indicates a hazard and means **ATTENTION! BECOME ALERT! YOUR SAFETY IS INVOLVED!**



Indicates an imminently hazardous situation that, if not avoided, will result in death or serious injury.



Indicates a potentially hazardous situation that, if not avoided, could result in death or serious injury, and includes hazards that are exposed when guards are removed.



Indicates a potentially hazardous situation that, if not avoided, may result in minor or moderate injury.

**IMPORTANT**

Indicates that a failure to observe can cause damage to equipment.

**NOTE**

Indicates helpful information.

## DESCRIPTION

### Description of the sickle bar

This agricultural implement can only operate by means of a cardan shaft applied to the pto of an agricultural tractor equipped with lift and universal three-point hitch. Since it is movable, the mowing machine can be easily mounted on tractors with different gauges or on tracked vehicles (Fig. 1). The two-motion tooth-blade system used in mowing machines, makes possible a scissors cut which leads to a high speed operation on any crop. The original tooth-blade motion guarantees a sharp and clean cut on any type of grass, be it damp or flattened. It is thanks to the total absence of soil which this mowing system does not raise, sharp because the stems are not frayed. The sickle bar may also be used with the cutting arm tilted for working on canals, ditches and embankments (Fig. 2 and 3).

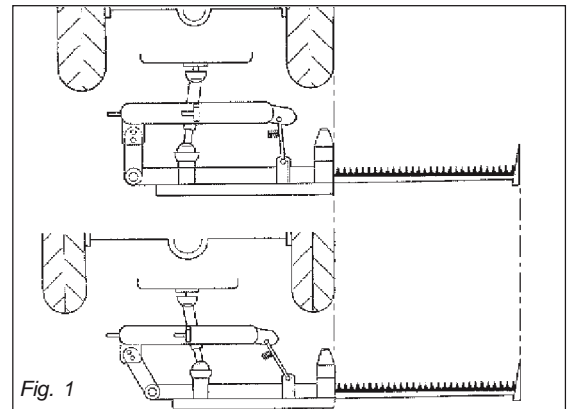


Fig. 1

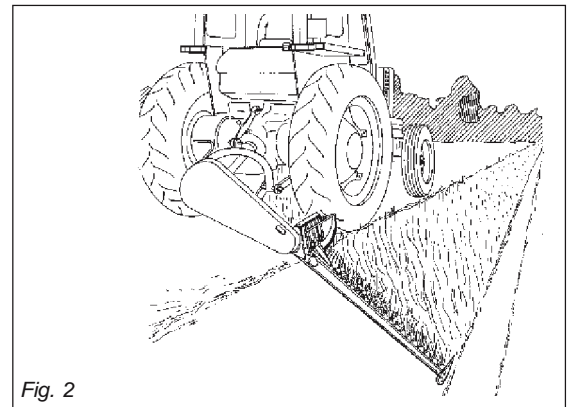


Fig. 2

**ATTENTION**  
The sickle bar is suitable only for the uses indicated. Any other use different from that described in these instructions could cause damage to the machine and represent a serious hazard for the user.

It is therefore advisable to strictly comply with the following instructions in order to prevent faults which could jeopardize the correct and long-lasting operation of the implement. Compliance with the instructions in this handbook is also important since **the Manufacturer declines all and every responsibility for damage to persons or property caused by negligence and failure to comply with these instructions.**

The Manufacturer shall, however, remain at the customers' disposal for immediate and thorough assistance together with anything else that may be required in order to ensure the correct operation and maximum efficiency of the implement.

The Manufacturer reserves the right to make any modifications and improvements to the implement as may be considered opportune, without being obliged to immediately inform the user.

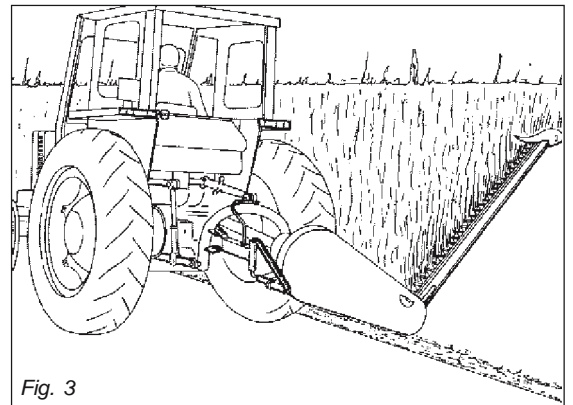


Fig. 3

# DESCRIPTION

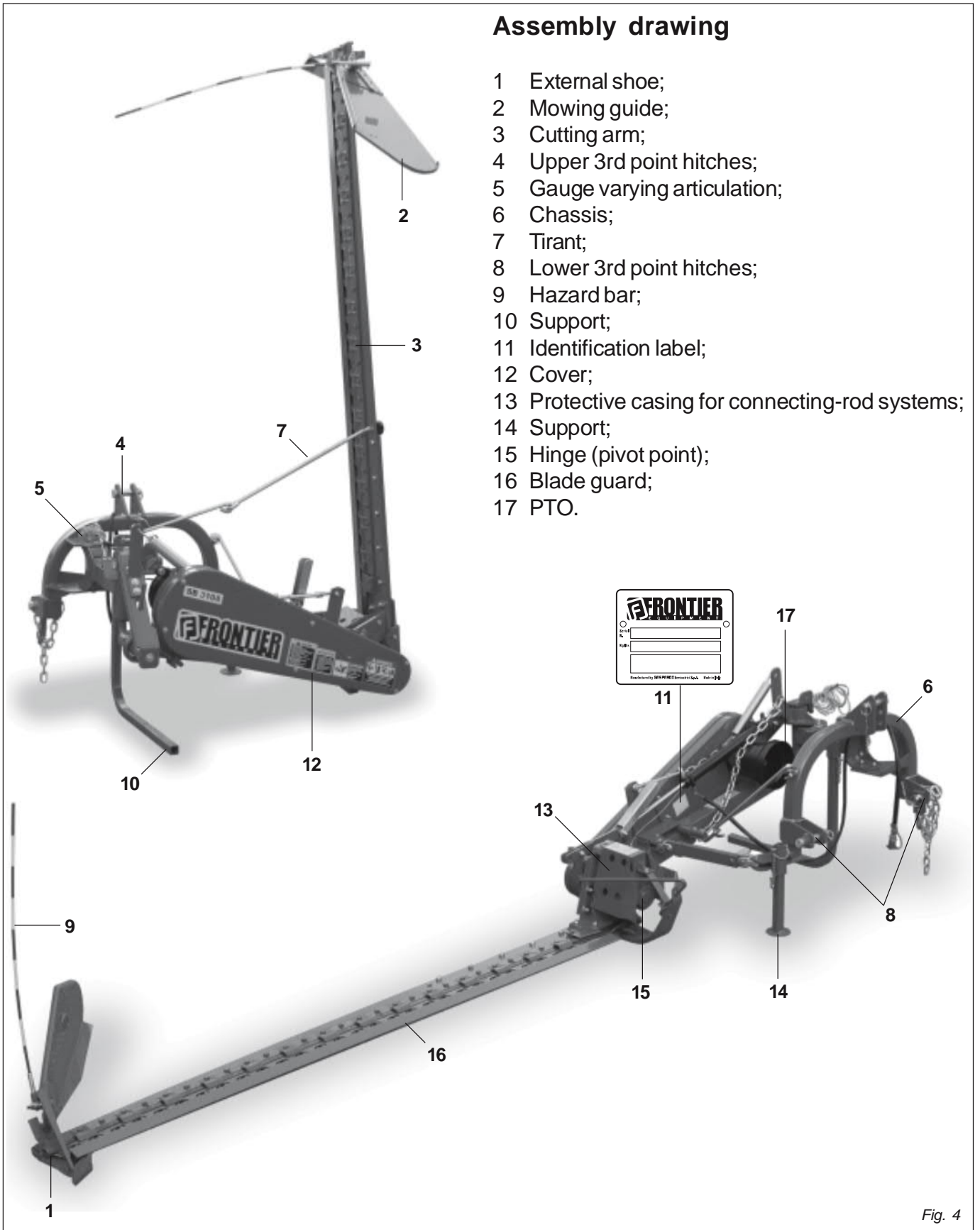


Fig. 4

Thank you so much for reading.  
Please click the “Buy Now!”  
button below to download the  
complete manual.



After you pay.

You can download the most  
perfect and complete manual in  
the world immediately.

Our support email:

[ebooklibonline@outlook.com](mailto:ebooklibonline@outlook.com)