

編 番  
PART NO.  
PIE3-EI-4

# **PARTS CATALOG**

## **パーツカタログ**

# **EX100-5 Series** **シリーズ**

## **EQUIPMENT COMPONENTS PARTS**

**機器インナーパーツ**

**EX100-5**  
**EX100M-5**  
**EX110M-5**  
**EX100-5E**

適用号機 001001~  
Serial No.

# **HITACHI**

メモ欄  
MEMORANDUM

下表を部品注文，機械管理等にご利用下さい。

Please utilize under-table for parts-order and maintenance of your machine, etc.

|   |  |
|---|--|
| 製品識別番号<br>Product Identification Number |  |
| エンジン形式<br>Engine Type                   |  |
| エンジン製番<br>Engine Mfg. No.               |  |
|   |  |
|   |  |
|   |  |

## FOREWORD

- ◎ This parts catalog shows the precision parts of E EX100-5 Series (EX100-5, EX100M-5, EX110M-5, EX100-5E) Hydraulic Excavator.  
The numerical parts No. index is provided at the end of this parts catalog.  
In the parts index, a part No. with "\*" mark shows a newly added part on the parts catalog.
- ◎ This parts catalog contains the most recent information available at the time of printing, and the contents of the list are based on information in effect at that time and are subject to change without notice.
- ◎ The references in the parts catalog of "LEFT", "RIGHT", "FRONT", and "REAR" are identified as follows.  
The driver's seat is positioned "LEFT" side, and the opposite side is "RIGHT".  
The front-end attachments is at the "FRONT". The counterweight is attached at the "REAR".  
For the undercarriage, the travel motor is at the "REAR", and the opposite is "FRONT".

### 1. HOW TO ORDER PARTS

When ordering parts, Please specify the following items as shown in the following example.

|                                      |              |  |
|--------------------------------------|--------------|--|
|                                      | (EXAMPLE)    |  |
| (1) Model/type                       | (EX100-5)    | } Shown on NAME-PLATE provided on MAIN FRAME<br>on the lower right side of CAB |
| (2) Product<br>Identification Number | (1E3P030001) |  |
| (3) Part No.                         | (A810165)    | } Ordering Parts   |
| (4) Part Name                        | (O-RING)     |  |
| (5) Q' ty                            | (2)          | Ordering Q' ty   |
| (6) Purchaser's Name and Address     |              |  |

### 2. HOW TO USE THIS PARTS CATALOG

- ITEM           Item No. shows the reference No. on the machine illustration.
- PART NO.       Part No. consists of a letter of the alphabet and numerical, or numerical only.
- PART NAME      Components of an assembly part are shown with "." marks and are shown on the line, or lines, below the assembly part. Also, if the component with "." mark consists of further components part, these further components are shown by the marks "...".

•Q'TY                    Q'ty shows the quantity used for a particular single hydraulic unit, however quantity of components shows the quantity for one assembly part.

•SERVICE CODE        Abbreviations in the column of service code have their own meaning as shown below.

W: The part with this abbreviation shows that the part requires some work on it before installing in the machine.

D: The part with this abbreviation is a component of an assembly and is not available independently. The assembly part containing this part should be ordered.

K: This means that the part is contained in the service parts kit.

R: The part with this abbreviation shows that the quantity of the part is changed depending upon the machine, such as an adjusting shim etceteras.

S: This part is specially provided as a service part, which was not provided in the machine before from shipping the factory.

OP: Optional parts

OS: Over-sized parts

US: Under-sized parts

(NOTE: Part with abbreviation "OS" or "US" is described on the line below the standard-sized part.)

#: The part with this mark is newly added on that page of the equipment.

•SERIAL No.            The machine serial number is printed just above the SERIAL No. column on all parts list pages.

[The serial number corresponds to the figures following the letter P in the PIN (Product Identification Number) on the name-plate.]

This serial number indicates the machine serial number applicable to the group unit (or component) described on this page.

When parts are modified, both the old and new parts are shown in the parts catalog with the applicable machine serial numbers in the SERIAL No. column.

Be sure to check that the your machine serial number is included in the range of the serial numbers shown above or in the SERIAL No. column when selecting parts.

Descriptions starting with letter D indicate the date when the part was replaced. (Example: "D95/12-" means that this part was replaced December '95.)

Descriptions starting with letter H indicate the component manufacturing No. stamped on the component manufacturing No. plate.

Description stating with letter F indicate the Front attachment manufacturing No. stamped on the front attachment manufacturing No. plate.

The letter H or F is used to identify the component or front attachment manufacturing No. from the machine serial number.

•ICA                    ICA shows the interchangeability between the original and the improved parts. Abbreviations used in this column are as follows.

- I: Part No. in the column of "Replaceable part" can be used instead of this part but not vice versa.
- P: This must not be used for the machine. The part No. in the column "Replaceable part" should be used instead.
- T: Parts Nos. those in the column of "Replaceable part" can be used as an assembly instead of this part.
- Y: This part and the part in the column of "Replaceable part" are interchangeable with each other.

•REPLACEABLE PART

Interchangeable parts Nos. and their required quantity are shown in this column.

NOTE: If interchangeable improved parts are provided for the parts which you may order, the improved parts classified as "I", "P", "T" or "Y" may be supplied.

目 次  
CONTENTS

PB-134  
PB-A12  
CONTROL-1416

| 部品番号<br>PART NO. | コード<br>CODE | 部 品 名                           | PART NAME                             | 適用号機<br>SERIAL NO. | 頁<br>PAGE |
|------------------|-------------|---------------------------------|---------------------------------------|--------------------|-----------|
| ポンプ              |             |                                 | PUMP                                  |                    |           |
| 9151412          | 9151412     | ポンプ装置                           | PUMP DEVICE                           |                    | 001       |
| +++++++          | 9151411     | ・ポンプ;ユニット                       | ・PUMP;UNIT                            |                    | 003       |
| 9151410          | 9151410     | ・レギュレータ                         | ・REGULATOR                            |                    | 005       |
| 4276918          | 0450900B    | ・ポンプ;ギヤ                         | ・PUMP;GEAR                            |                    | 007       |
| 9158021          | 9158021     | ポンプ装置 (ブレード)                    | PUMP DEVICE (BLADE)                   |                    | 009       |
| +++++++          | 9158022     | ・ポンプ;ユニット                       | ・PUMP;UNIT                            |                    | 011       |
| 9158023          | 9158023     | ・レギュレータ                         | ・REGULATOR                            |                    | 013       |
| 4278696          | 0451400A    | ・ポンプ;ギヤ                         | ・PUMP;GEAR                            |                    | 015       |
| 4278696          | 0451400A    | ポンプ;ギヤ                          | PUMP;GEAR                             |                    | (015)     |
| モータ;オイル          |             |                                 | MOTOR;OIL                             |                    |           |
| 4330218          | 0672500     | モータ;オイル (旋回)                    | MOTOR;OIL (SWING)                     |                    | 017       |
| 4373197          | 0668700     | ・ロータリ グループ                      | ・ROTARY GROUP                         |                    | 019       |
| 4373198          | 0668800     | ・シャフト部                          | ・SHAFT PART                           |                    | 021       |
| 4373199          | 0668900     | ・カバー部                           | ・COVER PART                           |                    | 023       |
| 4373201          | 0669000     | ・バルブ;リリーフ                       | ・VALVE;RELIEF                         |                    | 025       |
| 4373200          | 0669100     | ・バルブ;タイマ                        | ・VALVE;TIMER                          |                    | 027       |
| 9132360          | 9132360A    | モータ;オイル (走行)<br><100-5, 100-5E> | MOTOR;OIL (TRAVEL)<br><100-5, 100-5E> |                    | 029       |
| 9132208          | 9132208A    | ・バルブ;ブレーキ                       | ・VALVE;BRAKE                          |                    | 031       |
| 9144846          | 9144846     | ・バルブ;リリーフ                       | ・VALVE;RELIEF                         | 001001-H00780      | 033       |
| 9159923          | 9159923     | ・バルブ;リリーフ                       | ・VALVE;RELIEF                         | H00781-            | 035       |
| 4301547          | -----       | 走行装置<br><100M-5, 110M-5>        | TRAVEL DEVICE<br><100M-5, 110M-5>     |                    | ---       |
| 4378661          | -----       | ・モータ;オイル                        | ・MOTOR;OIL                            |                    | ---       |
| +++++++          | 0670900     | ・モータ;オイル (1/2)                  | ・MOTOR;OIL (1/2)                      |                    | 037       |
| +++++++          | 0671000     | ・モータ;オイル (2/2)                  | ・MOTOR;OIL (2/2)                      |                    | 039       |
| 4378662          | 0671100     | ・バルブ;リリーフ                       | ・VALVE;RELIEF                         |                    | 041       |
| 4378663          | 0671200     | ・トランスミッション                      | ・T. MISSION                           |                    | 043       |
| バルブ              |             |                                 | VALVE                                 |                    |           |
| 4330216          | -----       | バルブ;コントロール                      | VALVE;CONTROL                         |                    | ---       |
| +++++++          | 0673300     | ・バルブ;コントロール (1/10)              | ・VALVE;CONTROL (1/10)                 |                    | 045       |
| +++++++          | 0673400     | ・バルブ;コントロール (2/10)              | ・VALVE;CONTROL (2/10)                 |                    | 047       |

| 部品番号<br>PART NO. | コード<br>CODE | 部品名                  | PART NAME                      | 適用号機<br>SERIAL NO.   | 頁<br>PAGE |
|------------------|-------------|----------------------|--------------------------------|--|-----------|
| +++++++          | 0673500     | ・バルブ;コントロール (3/10)   | ・VALVE;CONTROL (3/10)          |  | 049       |
| +++++++          | 0673600A    | ・バルブ;コントロール (4/10)   | ・VALVE;CONTROL (4/10)          |  | 051       |
| +++++++          | 0673700A    | ・バルブ;コントロール (5/10)   | ・VALVE;CONTROL (5/10)          |  | 053       |
| +++++++          | 0673800     | ・バルブ;コントロール (6/10)   | ・VALVE;CONTROL (6/10)          |  | 055       |
| +++++++          | 0673900     | ・バルブ;コントロール (7/10)   | ・VALVE;CONTROL (7/10)          |  | 057       |
| +++++++          | 0674000     | ・バルブ;コントロール (8/10)   | ・VALVE;CONTROL (8/10)          |  | 059       |
| +++++++          | 0674100     | ・バルブ;コントロール (9/10)   | ・VALVE;CONTROL (9/10)          |  | 061       |
| +++++++          | 0674200     | ・バルブ;コントロール (10/10)  | ・VALVE;CONTROL (10/10)         |  | 063       |
| 4361117          | 0686900     | バルブ;コントロール           | VALVE;CONTROL                  |  | 065       |
| 9149232          | 9149232A    | バルブ;パイロット (フロント, 旋回) | VALVE;PILOT<br>(FRONT & SWING) | 100-5 :001001-001092<br>100M-5:001001-001092<br>110M-5:001001-001092 | 067       |
| 9156581          | 9156581A    | バルブ;パイロット (フロント, 旋回) | VALVE;PILOT<br>(FRONT & SWING) | 100-5 :001093-<br>100M-5:001093-<br>110M-5:001093-<br>100-5E:001001- | 069       |
| 9151777          | 9151777     | バルブ;パイロット (走行)       | VALVE;PILOT (TRAVEL)           |  | 071       |
| 9137384          | 9137384     | バルブ;パイロット            | VALVE;PILOT                    |  | 073       |
| 4330467          | 0630700A    | バルブ;パイロット            | VALVE;PILOT                    |  | 075       |
| 4330228          | 0669200     | バルブ;フロウコントロール        | VALVE;FC                       |  | 077       |
| 4367131          | 0672600     | バルブ;フロウコントロール        | VALVE;FC                       |  | 079       |
| 4355440          | 0671300     | バルブ;ソレノイド            | VALVE;SOLENOID                 |  | 081       |
| 4273526          | 0444300A    | バルブ;ソレノイド            | VALVE;SOLENOID                 |  | 083       |
| 4351142          | 0670500     | バルブ;リリーフ             | VALVE;RELIEF                   |  | 085       |
| 4334827          | 0668300     | バルブ;ロック              | VALVE;LOCK                     |  | 087       |
| 4203447          | 0361000A    | バルブ;シャトル             | VALVE;SHUTTLE                  |  | 089       |
| 4282545          | 0672700     | バルブ;ロータリ             | VALVE;ROTARY                   |  | 091       |
| 4203446          | 0687400     | バルブ                  | VALVE                          |  | 093       |
| 4345286          | 0620300     | バルブ;ホールディング          | VALVE;HOLDING                  |  | 095       |
| 9149057          | 0669400     | バルブ;ホースラプチャ          | VALVE;HOSE-RUPTURE             |  | 097       |
| シリンダ             |             | CYLINDER             |                                |  |           |
| 4312228          | 0674900     | シリンダ;ブーム (右)         | CYL.;BOOM (R)                  |  | 099       |
| 4372544          | 0659500     | シリンダ;ブーム (右) [側溝掘]   | CYL.;BOOM (R) [OFFSET BOOM]    |  | 101       |
| 4312229          | 0675000     | シリンダ;ブーム (左)         | CYL.;BOOM (L)                  |  | 103       |
| 4372542          | 0659600     | シリンダ;ブーム (左) [側溝掘]   | CYL.;BOOM (L) [OFFSET BOOM]    |  | 105       |
| 4314895          | 0675100     | シリンダ;アーム             | CYL.;ARM                       |  | 107       |
| 4371393          | 0659700     | シリンダ;アーム [側溝掘]       | CYL.;ARM [OFFSET BOOM]         |  | 109       |

| 部品番号<br>PART NO. | コード<br>CODE | 部 品 名         | PART NAME       | 適用号機<br>SERIAL NO. | 頁<br>PAGE |
|------------------|-------------|---------------|-----------------|--------------------|-----------|
| 4316457          | 0667100     | シリンダ;バケツ      | CYL. ;BUCKET    |                    | 111       |
| 4288744          | 0496600A    | シリンダ;クラムシェル   | CYL. ;CLAMSHELL |                    | 113       |
| 4371394          | 0659800     | シリンダ;オフセット    | CYL. ;OFFSET    |                    | 115       |
| 4359928          | 0686700     | シリンダ;ブレード (右) | CYL. ;BLADE (R) | 001001-002426      | 117       |
| 4397512          | 0727100     | シリンダ;ブレード (右) | CYL. ;BLADE (R) | 002427-D99/12      | 119       |
| 4432510          | 0779200     | シリンダ;ブレード (右) | CYL. ;BLADE (R) | D00/01-            | 121       |
| 4361273          | 0686800     | シリンダ;ブレード (左) | CYL. ;BLADE (L) | 001001-002426      | 123       |
| 4397513          | 0727400     | シリンダ;ブレード (左) | CYL. ;BLADE (L) | 002427-D99/12      | 125       |
| 4432509          | 0779300     | シリンダ;ブレード (左) | CYL. ;BLADE (L) | D00/01-            | 127       |

索 引

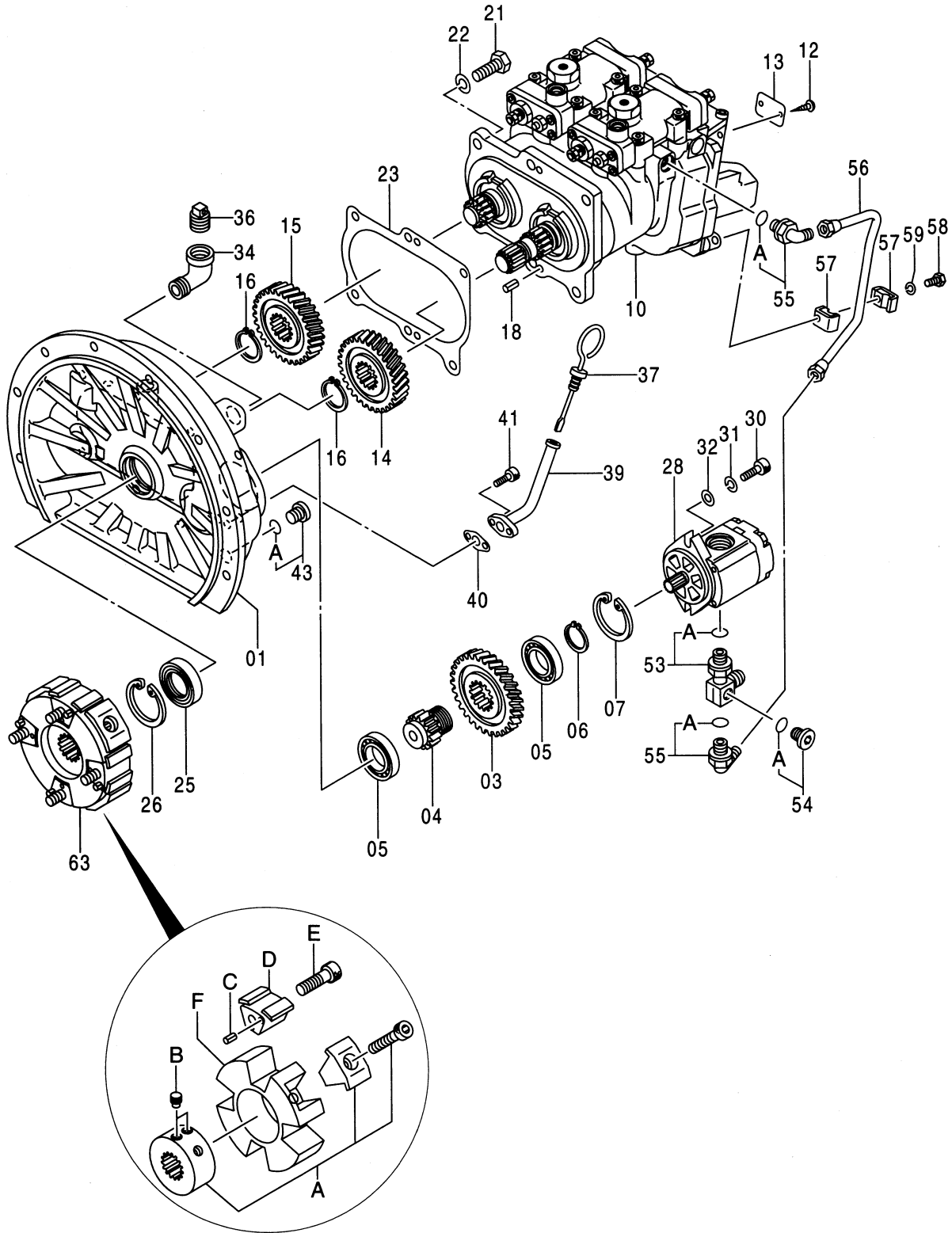
PARTS INDEX

129



001A

ポンプ装置  
PUMP DEVICE



9151412

ポンプ装置  
PUMP DEVICE

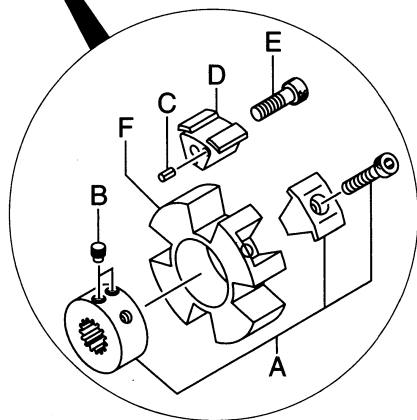
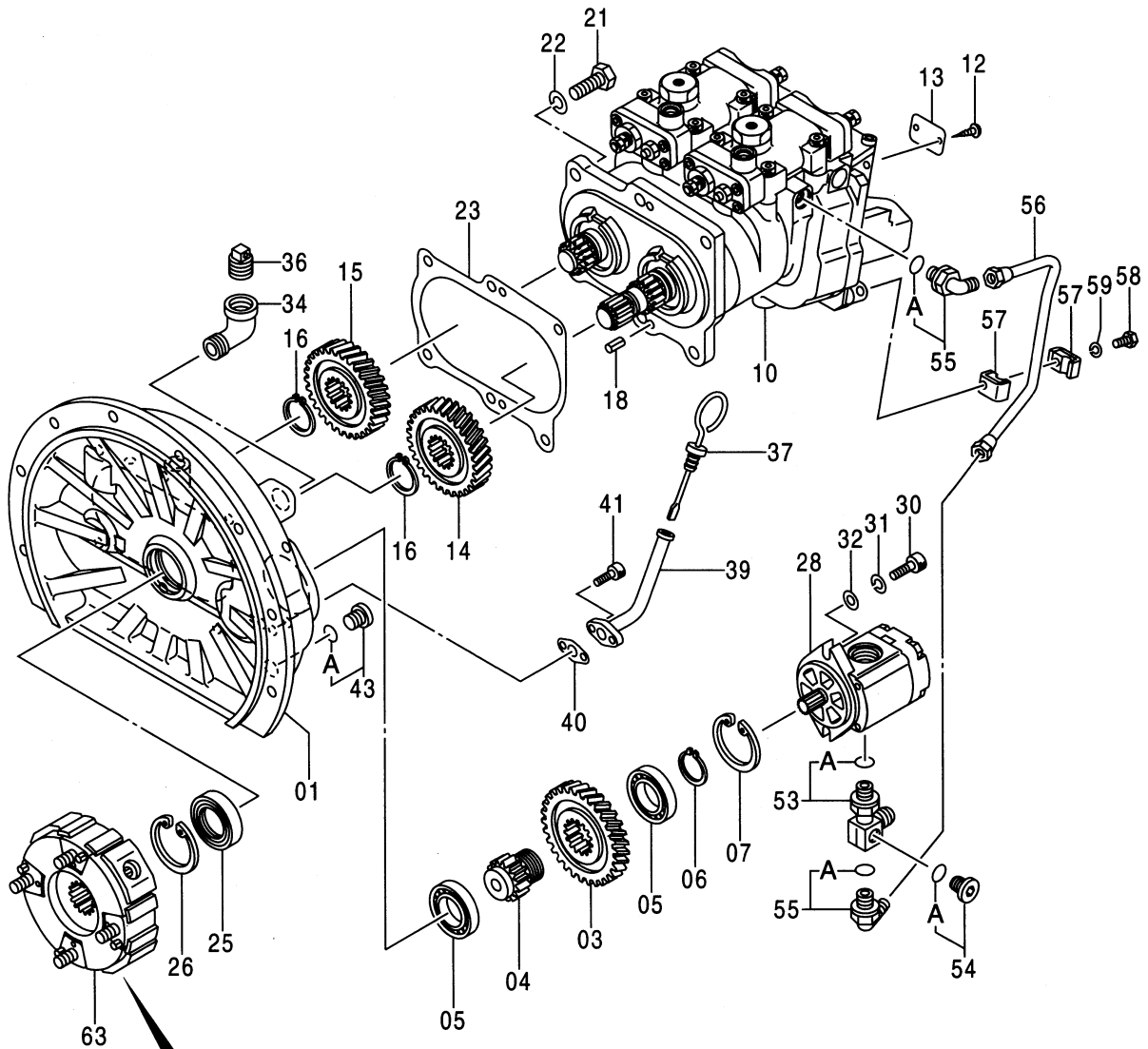
001001-

| 符号<br>ITEM | 部品番号<br>PART NO. | 部品名<br>PART NAME                         | コード<br>CODE | 数量<br>Q' TY | サービス<br>コード<br>S. C | 適用号機<br>SERIAL NO. | 互換性<br>ICA | 代替部品<br>REPLACEABLE<br>PART |             |
|------------|------------------|--|-------------|-------------|---------------------|--------------------|------------|-----------------------------|-------------|
|            |                  |  |             |             |                     |                    |            | 部品番号<br>PART NO.            | 数量<br>Q' TY |
|            | 9151412          | PUMP DEVICE<br><for assembly of machine> | 9151412     | 1           |                     |                    | I          | 9152593                     | 1           |
|            | (9152593)        | PUMP DEVICE<br><for transportation>      |             | 1           | S                   |                    |            |                             |             |
| 01         | 1022569          | ・CASING;GEAR                             |             | 1           |                     |                    |            |                             |             |
| 03         | 3070066          | ・GEAR;PILOT                              |             | 1           |                     |                    |            |                             |             |
| 04         | 3055594          | ・SHAFT;GEAR                              |             | 1           |                     |                    |            |                             |             |
| 05         | 958740           | ・BRG.;BALL                               |             | 2           |                     |                    |            |                             |             |
| 06         | 962002           | ・RING;RETAINING                          |             | 1           |                     |                    |            |                             |             |
| 07         | 991725           | ・RING;RETAINING                          |             | 1           |                     |                    |            |                             |             |
| 10         | +++++            | ・PUMP;UNIT                               | 9151411     | 1           | D                   |                    |            |                             |             |
| 12         | M492564          | ・SCREW;DRIVE                             |             | 2           |                     |                    |            |                             |             |
| 13         | 3075866          | ・NAME-PLATE                              |             | 1           |                     |                    |            |                             |             |
| 14         | 3070062          | ・GEAR                                    |             | 1           |                     |                    |            |                             |             |
| 15         | 3070063          | ・GEAR                                    |             | 1           |                     |                    |            |                             |             |
| 16         | 962002           | ・RING;RETAINING                          |             | 2           |                     |                    |            |                             |             |
| 18         | 4099290          | ・PIN;SPRING                              |             | 2           |                     |                    |            |                             |             |
| 21         | J901445          | ・BOLT                                    |             | 6           |                     |                    |            |                             |             |
| 22         | A590914          | ・WASHER;SPRING                           |             | 6           |                     |                    |            |                             |             |
| 23         | 8060011          | ・PACKING                                 |             | 1           |                     |                    |            |                             |             |
| 25         | 4340328          | ・SEAL;OIL                                |             | 1           |                     |                    |            |                             |             |
| 26         | 930451           | ・RING;RETAINING                          |             | 1           |                     |                    |            |                             |             |
| 28         | 4276918          | ・PUMP;GEAR                               | 0450900B    | 1           |                     |                    |            |                             |             |
| 30         | M341028          | ・BOLT;SOCKET                             |             | 2           |                     |                    |            |                             |             |
| 31         | 984054           | ・WASHER;SPRING                           |             | 2           |                     |                    |            |                             |             |
| 32         | 4114402          | ・WASHER                                  |             | 2           |                     |                    |            |                             |             |
| 34         | 94-0649          | ・ELBOW                                   |             | 1           |                     |                    |            |                             |             |
| 36         | 4234782          | ・PLUG                                    |             | 1           |                     |                    |            |                             |             |
| 37         | 4242263          | ・GAUGE;LEVEL                             |             | 1           |                     |                    |            |                             |             |
| 39         | 9745521          | ・PIPE                                    |             | 1           |                     |                    |            |                             |             |
| 40         | 9742779          | ・PACKING                                 |             | 1           |                     |                    |            |                             |             |
| 41         | M340816          | ・BOLT;SOCKET                             |             | 2           |                     |                    |            |                             |             |
| 43         | 9134111          | ・PLUG                                    |             | 1           |                     |                    |            |                             |             |
| 43A        | 4509180          | ・・O-RING                                 |             | 1           |                     |                    |            |                             |             |
| 53         | 4278547          | ・ADAPTER                                 |             | 1           |                     |                    |            |                             |             |
| 53A        | 4506418          | ・・O-RING                                 |             | 1           |                     |                    |            |                             |             |
| 54         | 9134110          | ・PLUG                                    |             | 1           |                     |                    |            |                             |             |
| 54A        | 957366           | ・・O-RING                                 |             | 1           |                     |                    |            |                             |             |
| 55         | 4179837          | ・FITTING;PIPE                            |             | 2           |                     | -H01978            | Y          | 4293950                     | 2           |
| 55         | 4293950          | ・ELBOW;S                                 |             | 2           | #                   | H01979-            |            |                             |             |

P1E3-E1-4

001B

# ポンプ装置 PUMP DEVICE



9151412

Thank you so much for reading.  
Please click the “Buy Now!”  
button below to download the  
complete manual.



After you pay.

You can download the most  
perfect and complete manual in  
the world immediately.

Our support email:

[ebooklibonline@outlook.com](mailto:ebooklibonline@outlook.com)