

編 番  
PART NO.  
P12H-E1-7

# PARTS LIST

## パーツリスト

# EX120

## EQUIPMENT COMPONENTS PARTS

### 機器 インナーパーツ

EX120 EQUIPMENT COMPONENTS PARTS LIST

P12H-E1-7

適用号機 15001~  
Serial No.



## FOREWORD

- ⊙ This parts list shows the precision parts of EX120 Hydraulic excavator.  
The numerical parts No. index is provided at the end of this parts list.  
In the parts index, a part No. with "\*" mark shows a newly added part on the parts list.
- ⊙ This parts list contains the most recent information available at the time of printing, and the contents of the list are based on information in effect at that time and are subject to change without notice.
- ⊙ The references in the parts list of "LEFT", "RIGHT", "FRONT" and "REAR" are identified as follows.  
The driver's seat is positioned "LEFT" side, and the opposite side is "RIGHT".  
The front attachment is at the "FRONT". The counterweight is attached at the "REAR".  
For the track, the travel motor is at the "REAR", and the opposite is "FRONT".

### 1. HOW TO ORDER PARTS

When ordering parts, Please specify the following items as shown in the following example.

(EXAMPLE)		
(1) Model of Machine	(EX120)	} Shown on NAME-PLATE provided on MAIN FRAME on the lower right side of CAB
(2) Machine Serial No.	(12H-15001)	
(3) Part No.	(A810165)	} Ordering Parts
(4) Part Name	(O-RING)	
(5) Q'ty	(2)	Ordering Q'ty
(6) Purchaser's Name and Address		

### 2. HOW TO USE THIS PARTS LIST

- ITEM           Item No. Shows the reference No. on the machine illustration.
- PART NO.       Part No. consists of a letter of the alphabet and numerals, or numerals only.

- PART NAME      Components of an assembly part are shown with "." marks and are shown on the line, or lines, below the assembly part. Also, if the component with "." mark consists of further components part, these further components are shown by the marks "...".
- Q'TY            Q'ty shows the quantity used for a particular single hydraulic unit, however quantity of components shows the quantity for one assembly part.
- SERVICE CODE    Abbreviations in the column of service code have their own meaning as shown below.
- W: The part with this abbreviation shows that the part requires some work on it before installing in the machine.
  - D: The part with this abbreviation is a component of an assembly and is not available independently. The assembly part containing this part should be ordered.
  - K: This means that the part is contained in the service parts kit.
  - R: The part with this abbreviation shows that the quantity of the part is changed depending upon the machine, such as an adjusting shim etc.
  - S: This part is specially provided as a service part, which was not provided in the machine before from shipping the factory.
  - OP: Optional parts
  - OS: Over-sized parts
  - US: Under-sized parts
- (NOTE: Part with abbreviation "OS" or "US" is described on the line below the Standard-sized part.)
- #: The part with this mark is newly added on that page of the equipment.
- SERIAL No.      Applicable machine serial No. for the part is shown in this column. Further, above this column, the applicable serial No. is shown for all parts described on that page.
- Take this serial No. if the part is not mentioned its own applicable serial No. Take the serial No. which includes both of for the part and for all parts described on the page if the part is mentioned its own applicable serial No. If the abbreviation "D" is described as headed letter instead of the serial No. it means the produced date of the machine in which the parts are used. (EXAMPLE: D88/04~.....produced on April 1988 and after)
- If the abbreviation "H" is described as headed letter, it means the serial No. of equipment such as PUMP, MOTOR, CONTROL VALVE etc.
- If the abbreviation "F" is described as headed letter, it means the Front No. of front attachment such as BUCKET, BOOM, ARM etc.

•ICA

ICA shows the interchangeability between the original and the improved parts.  
Abbreviations used in this column are as follows :

- I: Part No. in the column of "Replaceable part" can be used instead of this part but not vice versa.
- P: This must not be used for the machine. The part No. in the column "Replaceable part" should be used instead.
- T: Parts Nos. those in the column of "Replaceable part" can be used as an assembly instead of this part.
- Y: This part and the part in the column of "Replaceable part" are interchangeable with each other.

•REPLACEABLE PART

Interchangeable parts Nos. and their required quantity are shown in this column.

NOTE: If interchangeable improved parts are provided for the parts which you may order, the improved parts classified as "I", "P", "T" or "Y" may be supplied.

目 次  
CONTENTS

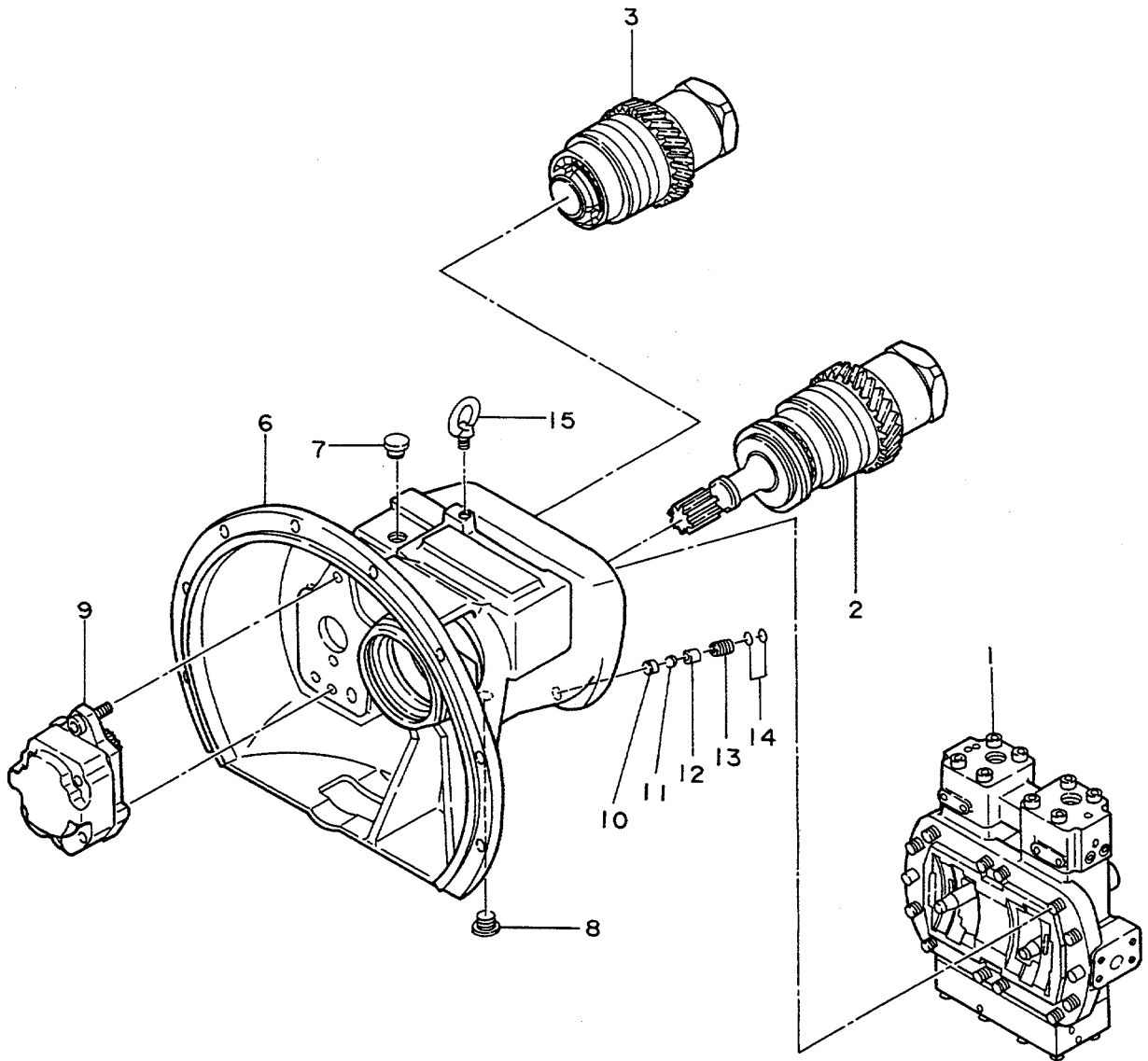
P B - 1 8 8  
P B - A 3 7

部品番号 PART NO.	コード CODE	部 品 名	PART NAME	適用号機 SERIAL NO.	頁 PAGE
		ポンプ	P U M P		
4176903	0312500A	ポンプ;ピストン	PUMP;PISTON		001
4206913	0311700A	・レギュレータ	・REGULATOR		003
4206917	0311800A	・レギュレータカバー部	・REGULATOR COVER PART		005
4206918	0311900A	・切換弁カバー部	・VALVE COVER PART		007
4206919	0312000	・コントロール部	・CONTROL PART		009
4206914	0312100	・ロータリグループ(駆動側)	・ROTARY GROUP (DRIVE SIDE)		011
4206915	0312200	・ロータリグループ(非駆動側)	・ROTARY GROUP (IDLER SIDE)		013
4206916	0312300A	・パイロットギヤポンプ	・PILOT GEAR PUMP		015
		モータ;オイル	M O T O R ; O I L		
4199025	0311300	モータ;オイル(旋回)	MOTOR;OIL (SWING)	15001~18866 18877~18954 18967,	017
4206609	0311400	・バルブ;リリーフ	・VALVE;RELIEF		019
4224976	-----	モータ;オイル(旋回)	MOTOR;OIL (SWING)	18867~18876 18955~18966 18968~	---
++++++	0356700A1	・モータ;オイル(1/2)	・MOTOR;OIL (1/2)		021
++++++	0356700A2	・モータ;オイル(2/2)	・MOTOR;OIL (2/2)		023
4206609	0311400	・バルブ;リリーフ	・VALVE;RELIEF		(019)
9065907	9065907	モータ;オイル(走行)	MOTOR;OIL (TRAVEL)	15001~18866	025
9065906	9065906A	・バルブ;ブレーキ	・VALVE;BRAKE	15001~18866	027
9065995	9065995	・バルブ;リリーフ	・VALVE;RELIEF	15001~18866	029
9080113	9080113A	モータ;オイル(走行)	MOTOR;OIL (TRAVEL)	18867~	031
9080511	9080511A	・バルブ;ブレーキ	・VALVE;BRAKE	18867~	033
9080500	9080500A	・バルブ;リリーフ	・VALVE;RELIEF	18867~	035
		バルブ	V A L V E		
4176905	0309500A	バルブ;コントロール	VALVE;CONTROL	15001~18866	037
4224897	-----	バルブ;コントロール	VALVE;CONTROL	18867~	---
++++++	0357700A1	・バルブ;コントロール(1/5)	・VALVE;CONTROL (1/5)		039
++++++	0357700B2	・バルブ;コントロール(2/5)	・VALVE;CONTROL (2/5)		041

部品番号 PART NO.	コード CODE	部品名	PART NAME	適用号機 SERIAL NO.	頁 PAGE
+++++++	0357700B3	・バルブ;コントロール (3/5)	・VALVE;CONTROL (3/5)		043
+++++++	0357700A4	・バルブ;コントロール (4/5)	・VALVE;CONTROL (4/5)		045
+++++++	0357700A5	・バルブ;コントロール (5/5)	・VALVE;CONTROL (5/5)		047
9071984	9071984A	バルブ;パイロット	VALVE;PILOT	15001~D90/06	049
# 9107499	9107499	バルブ;パイロット	VALVE;PILOT	D90/07~	051
9071983	9071983D	バルブ;パイロット	VALVE;PILOT		053
9059848	9059848B	バルブ;パイロット	VALVE;PILOT		055
9072923	9072923	バルブ;パイロット	VALVE;PILOT	15001~H00783	057
9072923	9072923C	バルブ;パイロット	VALVE;PILOT	H00784~	059
4196411	0308700A	バルブ;ソレノイド	VALVE;SOLENOID		061
9072360	9072360A	バルブ;チェック	VALVE;CHECK		063
4188553	0309800A	バルブ;ショックレス	VALVE;SHOCKLESS		065
4179025	0309900	バルブ;ロック	VALVE;LOCK	15001~16224	067
4179025	0309900B	バルブ;ロック	VALVE;LOCK	16225~	069
4209994	0322100	バルブ;リリーフ	VALVE;RELIEF		071
4201401	0370200	バルブ;ホールディング	VALVE;HOLDING		073
4204085	0370300	バルブ;ホールディング	VALVE;HOLDING		075
4230192	0370400	バルブ;ホールディング	VALVE;HOLDING		077
4206538	0370500	バルブ;ホールディング	VALVE;HOLDING		079
シリンダ			CYLINDER		
4187910	0310700B	シリンダ;ブーム (右)	CYL.;BOOM (R)		081
4187911	0310800B	シリンダ;ブーム (左)	CYL.;BOOM (L)		083
4187912	0310900B	シリンダ;アーム	CYL.;ARM		085
4187913	0311000B	シリンダ;バケット	CYL.;BUCKET		087
4207441	0317900	シリンダ;クラムシェル	CYL.;CLAMSHELL		089

001

ポンプ;ピストン  
PUMP;PISTON



0312500A

ポンプ:ピストン  
PUMP:PISTON

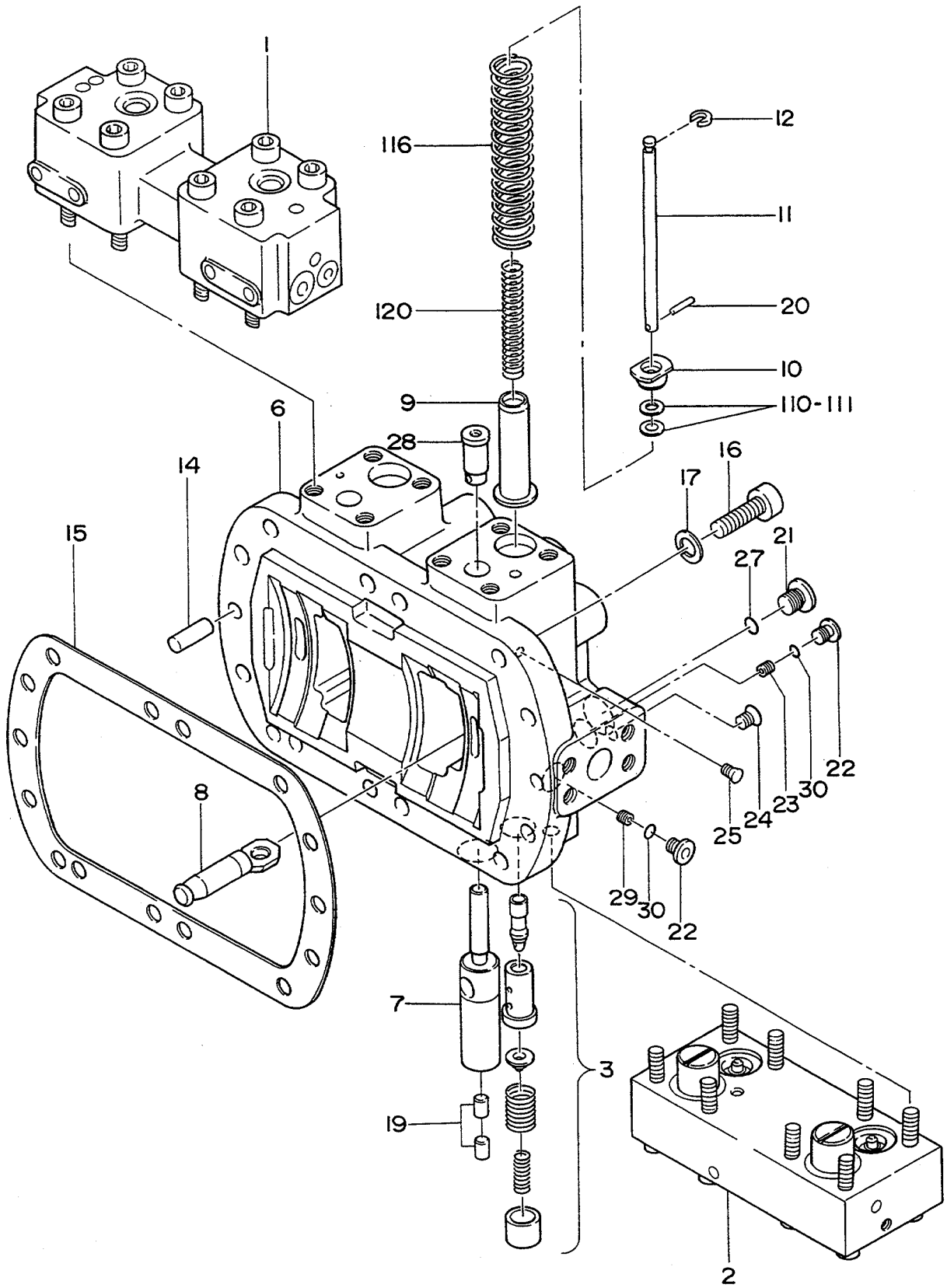
15001~

符号 ITEM	部品番号 PART NO.	部品名 PART NAME	or PART NAME CODE	数量 Q'TY	サービス コード S.C	適用号機 SERIAL NO.	互 換 性 ICA	代 替 部 品 REPLACEABLE PART	
								部品番号 PART NO.	数量 Q'TY
	4176903	PUMP:PISTON	0312500A	1					
1	4206913	-REGULATOR	0311700A	1					
2	4206914	-ROTARY GROUP(D)	0312100	1					
3	4206915	-ROTARY GROUP(I)	0312200	1					
6	+++++	-HOUSING		1	D				
7	0214905	-PLUG		1					
8	0230126	-PLUG		1					
9	4206916	-PILOT GEAR PUMP	0312300A	1					
10	+++++	-BUSHING		1	D				
11	0215022	-BALL:STEEL		1					
12	0311601	-GUIDE		1					
13	0311602	-SLEEVE		1					
14	4506407	-O-RING		2					
15	0311603	-BOLT: EYE		1					



003

レギュレータ  
REGULATOR



0311700A

REGULATOR

15001~

符号 ITEM	部品番号 PART NO.	部 品 名 PART NAME	or PART NAME CODE	数量 Q'TY	サービス コード S.C	適用号機 SERIAL NO.	互 換 性 ICA	代 替 部 品 REPLACEABLE PART	
								部品番号 PART NO.	数量 Q'TY
	4206913	REGULATOR	0311700A	1					
1	4206917	・REGULATOR COVER PART	0311800A	1					
2	4206918	・VALVE COVER PART	0311900A	1					
3	4206919	・CONTROL PART	0312000	2					
6	+++++	・BODY		1	D				
7	+++++	・PISTON		2	D				
8	+++++	・ROD		2	D				
9	0215007	・RETAINER		2					
10	0215008	・RETAINER		2					
11	0215013	・ROD		2					
12	0215014	・SPACER		2					
14	0215018	・PIN		2					
15	0311701	・PACKING		1					
16	0215020	・BOLT; SOCKET		12					
17	0215021	・WASHER; SPRING		12					
19	+++++	・SCREW; SET		4	D				
20	0215023	・PIN; SPRING		2					
21	0215221	・PLUG		2					
22	0215015	・PLUG		4		~ 18967			
22	4255302	・PLUG		4		18968~			
23	0311702	・ORIFICE		2					
24	+++++	・PLUG		1	D				
25	+++++	・PLUG		2	D				
27	957366	・O-RING		2					
28	0311703	・RETAINER		2					
29	0311704	・ORIFICE		2					
30	4506408	・O-RING		4		18968~			
110	0311705	・SHIM 0.5		2					
111	0215803	・SHIM 1.0		2					
116	0311706	・SPRING		2					
120	0311707	・SPRING		2					

Thank you so much for reading.  
Please click the “Buy Now!”  
button below to download the  
complete manual.



After you pay.

You can download the most  
perfect and complete manual in  
the world immediately.

Our support email:

[ebooklibonline@outlook.com](mailto:ebooklibonline@outlook.com)