

編 番  
PART NO.  
PI2N-EI-5

# PARTS CATALOG

## パーツカタログ

# EX120-2

EQUIPMENT COMPONENTS PARTS

機器 インナーパーツ

適用号機 30001~  
Serial No.

**HITACHI**

## FOREWORD

- © This parts catalog shows the precision parts of EX120-2 Hydraulic Excavator. The numerical parts No. index is provided at the end of this parts catalog. In the parts index, a part No. with "\*" mark shows a newly added part on the parts catalog.
- © This parts catalog contains the most recent information available at the time of printing, and the contents of the list are based on information in effect at that time and are subject to change without notice.
- © The references in the parts catalog of "LEFT", "RIGHT", "FRONT" and "REAR" are identified as follows.  
The driver's seat is positioned "LEFT" side, and the opposite side is "RIGHT".  
The front-end attachments is at the "FRONT". The counterweight is attached at the "REAR".  
For the undercarriage, the travel motor is at the "REAR", and the opposite is "FRONT".

### 1. HOW TO ORDER PARTS

When ordering parts, Please specify the following items as shown in the following example.

|                                  |             |  |
|----------------------------------|-------------|--|
|                                  | (EXAMPLE)   |  |
| (1) Model of Machine             | (EX120-2)   | } Shown on NAME-PLATE provided on MAIN FRAME<br>on the lower right side of CAB |
| (2) Machine Serial No.           | (12N-30001) |  |
| (3) Part No.                     | (A810165)   | } Ordering Parts   |
| (4) Part Name                    | (O-RING)    |  |
| (5) Q'ty                         | (2)         | Ordering Q'ty  |
| (6) Purchaser's Name and Address |             |  |

### 2. HOW TO USE THIS PARTS CATALOG

- ITEM           Item No. shows the reference No. on the machine illustration.
- PART NO.       Part No. consists of a letter of the alphabet and numerals, or numerals only.
- PART NAME      Components of an assembly part are shown with "." marks and are shown on the line, or lines, below the assembly part. Also, if the component with "." mark consists of further components part, these further components are shown by the marks "...".

- Q' TY** Q'ty shows the quantity used for a particular single hydraulic unit, however quantity of components shows the quantity for one assembly part.
- SERVICE CODE** Abbreviations in the column of service code have their own meaning as shown below.
- W: The part with this abbreviation shows that the part requires some work on it before installing in the machine.
  - D: The part with this abbreviation is a component of an assembly and is not available independently. The assembly part containing this part should be ordered.
  - K: This means that the part is contained in the service parts kit.
  - R: The part with this abbreviation shows that the quantity of the part is changed depending upon the machine, such as an adjusting shim etcetera.
  - S: This part is specially provided as a service part, which was not provided in the machine before from shipping the factory.
  - OP: Optional parts
  - OS: Over-sized parts
  - US: Under-sized parts
- (NOTE: Part with abbreviation "OS" or "US" is described on the line below the standard-sized part.)
- #: The part with this mark is newly added on that page of the equipment.
- SERIAL No.** Applicable machine serial No. for the part is shown in this column. Further, above this column, the applicable serial No. is shown for all parts described on that page.
- Take this serial No. if the part is not mentioned its own applicable serial No. Take the serial No. which includes both of for the part and for all parts described on the page if the part is mentioned its own applicable serial No. If the abbreviation "D" is described as headed letter instead of the serial No. it means the produced date of the machine in which the parts are used.
- (EXAMPLE: D90/10-.....produced on October 1990 and after)
- If the abbreviation "H" is described as headed letter, it means the serial No. of equipment such as PUMP, MOTOR, CONTROL VALVE and etcetera.
- If the abbreviation "F" is described as headed letter, it means the Front No. of front-end attachments such as BUCKET, BOOM, ARM and etcetera.
- ICA** ICA shows the interchangeability between the original and the improved parts. Abbreviations used in this column are as follows.
- I: Part No. in the column of 'Replaceable part' can be used instead of this part but not vice versa.
  - P: This must not be used for the machine. The part No. in the column 'Replaceable part' should be used instead.
  - T: Parts Nos. those in the column of 'Replaceable part' can be used as an assembly instead of this part.
  - Y: This part and the part in the column of 'Replaceable part' are interchangeable with each other.

•REPLACEABLE PART

Interchangeable parts Nos. and their required quantity are shown in this column.

NOTE: If interchangeable improved parts are provided for the parts which you may order, the improved parts classified as "I", "P", "T" or "Y" may be supplied.

目次  
CONTENTS

PB-201  
PB-A44

| 部品番号<br>PART NO. | コード<br>CODE | 部品名               | PART NAME            | 適用号機<br>SERIAL NO.                                   | 頁<br>PAGE |
|------------------|-------------|-------------------|----------------------|--|-----------|
| ポンプ              |             | PUMP              |                      |  |           |
| 9101530          | -----       | ポンプ; シングル         | PUMP; SINGLE         |  | ---       |
| ++++++           | 9101530B1   | ・ポンプ; シングル (1/2)  | ・PUMP; SINGLE (1/2)  |  | 001       |
| ++++++           | 9101530B2   | ・ポンプ; シングル (2/2)  | ・PUMP; SINGLE (2/2)  |  | 003       |
| 4255303          | 0408200     | ・・ポンプ; ギヤ         | ・・PUMP; GEAR         |  | 005       |
| ++++++           | 9101533     | ・・センサ; アングル       | ・・SENSOR; ANGLE      |  | 007       |
| ++++++           | 9128251     | ・・センサ; アングル       | ・・SENSOR; ANGLE      | SERVICE PARTS  | 009       |
| モータ; オイル         |             | MOTOR; OIL        |                      |  |           |
| 9096731          | 9096731     | モータ; オイル (走行)     | MOTOR; OIL (TRAVEL)  | 30001-H03196   | 011       |
| 9099928          | -----       | ・バルブ; ブレーキ        | ・VALVE; BRAKE        |  | ---       |
| ++++++           | 9099928B1   | ・・バルブ; ブレーキ (1/2) | ・・VALVE; BRAKE (1/2) |  | 013       |
| ++++++           | 9099928A2   | ・・バルブ; ブレーキ (2/2) | ・・VALVE; BRAKE (2/2) |  | 015       |
| 9102618          | 9102618     | ・・・バルブ; リリーフ      | ・・・VALVE; RELIEF     |  | 017       |
| 9116375          | 9116375     | モータ; オイル (走行)     | MOTOR; OIL (TRAVEL)  | H03197-H05971  | 019       |
| 9116373          | -----       | ・バルブ; ブレーキ        | ・VALVE; BRAKE        |  | ---       |
| ++++++           | 9116373A1   | ・・バルブ; ブレーキ (1/2) | ・・VALVE; BRAKE (1/2) |  | 021       |
| ++++++           | 9116373A2   | ・・バルブ; ブレーキ (2/2) | ・・VALVE; BRAKE (2/2) |  | 023       |
| 9114687          | 9114687     | ・・・バルブ; リリーフ      | ・・・VALVE; RELIEF     |  | 025       |
| 9116379          | 9116379     | モータ; オイル (走行)     | MOTOR; OIL (TRAVEL)  | H05972-H06584  | 027       |
| 9116377          | -----       | ・バルブ; ブレーキ        | ・VALVE; BRAKE        |  | ---       |
| ++++++           | 9116377A1   | ・・バルブ; ブレーキ (1/2) | ・・VALVE; BRAKE (1/2) |  | 029       |
| ++++++           | 9116377A2   | ・・バルブ; ブレーキ (2/2) | ・・VALVE; BRAKE (2/2) |  | 031       |
| 9115734          | 9115734     | ・・・バルブ; リリーフ      | ・・・VALVE; RELIEF     |  | 033       |
| 9116383          | 9116383A    | モータ; オイル (走行)     | MOTOR; OIL (TRAVEL)  | H06585-  | 035       |
| 9116381          | -----       | ・バルブ; ブレーキ        | ・VALVE; BRAKE        |  | ---       |
| ++++++           | 9116381A1   | ・・バルブ; ブレーキ (1/2) | ・・VALVE; BRAKE (1/2) |  | 037       |
| ++++++           | 9116381A2   | ・・バルブ; ブレーキ (2/2) | ・・VALVE; BRAKE (2/2) |  | 039       |
| 9115734          | 9115734     | ・・・バルブ; リリーフ      | ・・・VALVE; RELIEF     |  | (033)     |
| 4241171          | 0408700     | モータ; オイル (旋回)     | MOTOR; OIL (SWING)   | 30001-38115, 38120-38125<br>38128-38130, 38140-38145 | 041       |
| 4334356          | 0614700     | モータ; オイル (旋回)     | MOTOR; OIL (SWING)   | 38116-38119, 38126-38127<br>38131-38139, 38146-      | 043       |
| 4286401          | 0407800     | ・ロータリグループ         | ・ROTARY GROUP        | 30001-38115, 38120-38125<br>38128-38130, 38140-38145 | 045       |
| 4334357          | 0614800     | ・ロータリグループ         | ・ROTARY GROUP        | 38116-38119, 38126-38127<br>38131-38139, 38146-      | 047       |
| 4286402          | 0407900     | ・シャフト部            | ・SHAFT PART          |  | 049       |

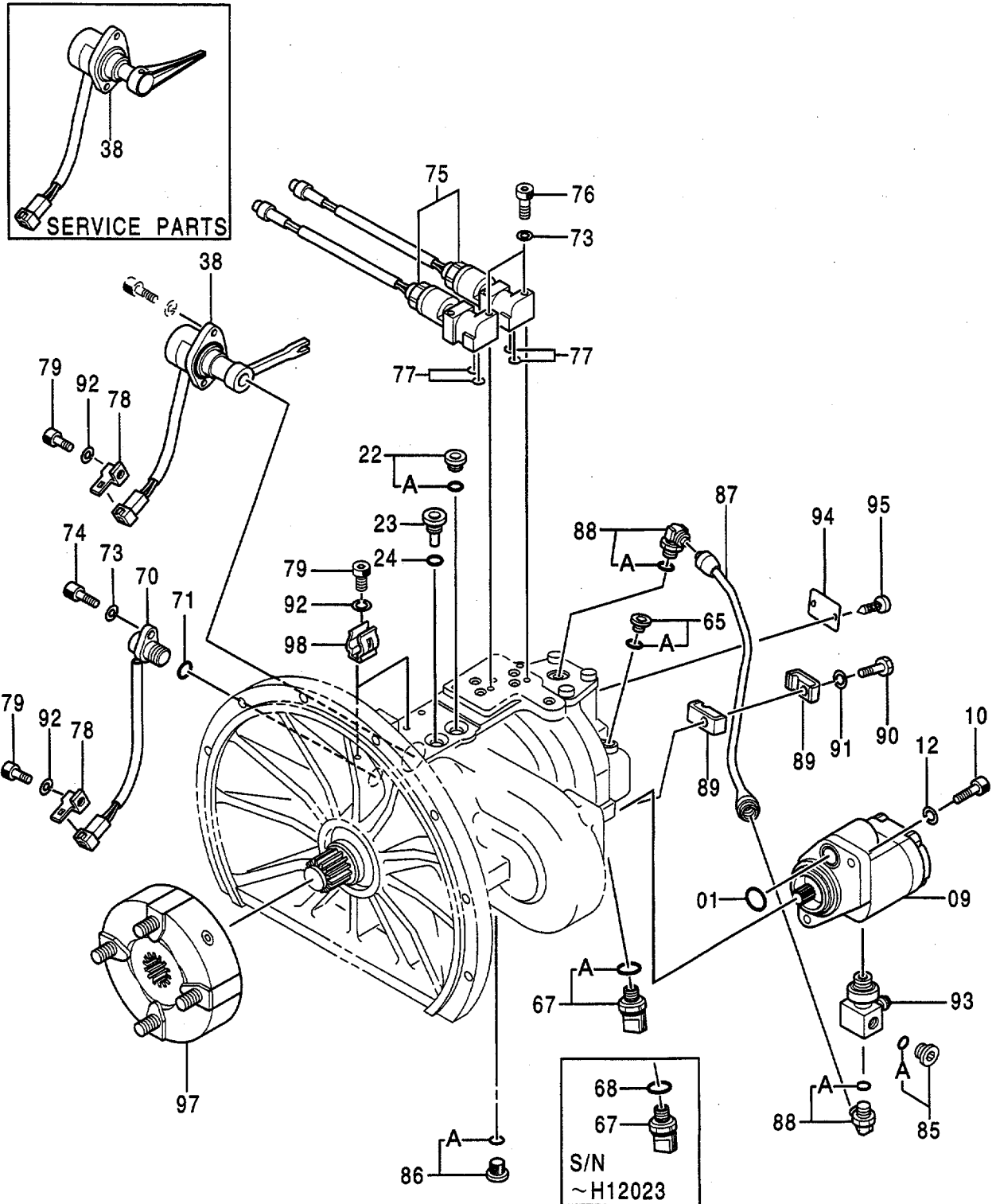
| 部品番号<br>PART NO. | コード<br>CODE | 部 品 名              | PART NAME            | 適用号機<br>SERIAL NO.   | 頁<br>PAGE |
|------------------|-------------|--------------------|----------------------|--|-----------|
| 4286403          | 0408000     | ・カバー部              | ・COVER PART          | 30001-D92/04   | 051       |
| 4327557          | 0605300     | ・カバー部              | ・COVER PART          | D92/05-  | 053       |
| 4286404          | 0408100     | ・・バルブ; リリーフ        | ・・VALVE;RELIEF       | 30001-D92/12   | 055       |
| 4328226          | 0605400     | ・・バルブ; リリーフ        | ・・VALVE;RELIEF       | D93/01-  | 057       |
| バルブ              |             | VALVE              |                      |  |           |
| 4254646          | -----       | バルブ; コントロール        | VALVE;CONTROL        | 30001-32925, 32927-32934<br>32936-32937, 32939-32942<br>32945-32988, | ---       |
| +++++++          | 0411800     | ・バルブ; コントロール (1/8) | ・VALVE;CONTROL (1/8) |  | 059       |
| +++++++          | 0411900     | ・バルブ; コントロール (2/8) | ・VALVE;CONTROL (2/8) |  | 061       |
| +++++++          | 0412000     | ・バルブ; コントロール (3/8) | ・VALVE;CONTROL (3/8) |  | 063       |
| +++++++          | 0412100     | ・バルブ; コントロール (4/8) | ・VALVE;CONTROL (4/8) |  | 065       |
| +++++++          | 0412200     | ・バルブ; コントロール (5/8) | ・VALVE;CONTROL (5/8) |  | 067       |
| +++++++          | 0412300     | ・バルブ; コントロール (6/8) | ・VALVE;CONTROL (6/8) |  | 069       |
| +++++++          | 0412400     | ・バルブ; コントロール (7/8) | ・VALVE;CONTROL (7/8) |  | 071       |
| +++++++          | 0412500     | ・バルブ; コントロール (8/8) | ・VALVE;CONTROL (8/8) |  | 073       |
| 4304718          | -----       | バルブ; コントロール        | VALVE;CONTROL        | 32926, 32935, 32938,<br>32943, 32944, 32989-                         | ---       |
| +++++++          | 0463900     | ・バルブ; コントロール (1/8) | ・VALVE;CONTROL (1/8) |  | 075       |
| +++++++          | 0464000     | ・バルブ; コントロール (2/8) | ・VALVE;CONTROL (2/8) |  | 077       |
| +++++++          | 0464100     | ・バルブ; コントロール (3/8) | ・VALVE;CONTROL (3/8) |  | 079       |
| +++++++          | 0464200     | ・バルブ; コントロール (4/8) | ・VALVE;CONTROL (4/8) |  | 081       |
| +++++++          | 0464300     | ・バルブ; コントロール (5/8) | ・VALVE;CONTROL (5/8) |  | 083       |
| +++++++          | 0464400     | ・バルブ; コントロール (6/8) | ・VALVE;CONTROL (6/8) |  | 085       |
| +++++++          | 0464500     | ・バルブ; コントロール (7/8) | ・VALVE;CONTROL (7/8) |  | 087       |
| +++++++          | 0464600     | ・バルブ; コントロール (8/8) | ・VALVE;CONTROL (8/8) |  | 089       |
| 9101511          | 9101511A    | バルブ; パイロット         | VALVE;PILOT          |  | 091       |
| 9101512          | 9101512A    | バルブ; パイロット         | VALVE;PILOT          |  | 093       |
| 9072923          | 9072923D    | バルブ; パイロット         | VALVE;PILOT          |  | 095       |
| 4276904          | 0408400B    | バルブ; ソレノイド         | VALVE;SOLENOID       |  | 097       |
| 4254610          | 0408300     | バルブ; フロウコントロール     | VALVE;FC             | 30001-32925, 32927-32934<br>32936-32937, 32939-32942<br>32945-32988, | 099       |
| 4304666          | 0635700     | バルブ; フロウコントロール     | VALVE;FC             | 32926, 32935, 32938,<br>32943, 32944, 32989-                         | 101       |
| 4254613          | 0408500     | バルブ; シャトル          | VALVE;SHUTTLE        |  | 103       |
| 4254612          | 0408600     | バルブ; シャトル          | VALVE;SHUTTLE        |  | 105       |
| 4254611          | 0396600A    | バルブ; ロック           | VALVE;LOCK           |  | 107       |
| 4263925          | 0498500     | バルブ; ホールディング       | VALVE;HOLDING        | 30001-D93/09   | 109       |

| 部品番号<br>PART NO. | コード<br>CODE | 部 品 名          | PART NAME           | 適用号機<br>SERIAL NO. | 頁<br>PAGE |
|------------------|-------------|----------------|---------------------|--------------------|-----------|
| 4324747          | 0499100     | ・バルブ ; リリーフ    | ・VALVE;RELIEF       | 30001-D93/09       | 111       |
| 4311300          | 0615800     | バルブ ; ホールディング  | VALVE;HOLDING       | D93/10-            | 113       |
| 4263926          | 0498600     | バルブ ; ホールディング  | VALVE;HOLDING       | 30001-D93/09       | 115       |
| 4324747          | 0499100     | ・バルブ ; リリーフ    | ・VALVE;RELIEF       | 30001-D93/09       | (111)     |
| 4311301          | 0620400     | バルブ ; ホールディング  | VALVE;HOLDING       | D93/10-            | 117       |
| 4263927          | 0498700     | バルブ ; ホールディング  | VALVE;HOLDING       | 30001-D93/09       | 119       |
| 4324747          | 0499100     | ・バルブ ; リリーフ    | VALVE;RELIEF        | 30001-D93/09       | (111)     |
| 4311302          | 0620500     | バルブ ; ホールディング  | VALVE;HOLDING       | D93/10-            | 121       |
| 4288148          | 0437400     | バルブ            | VALVE               |                    | 123       |
| シリンダ             |             |                | CYLINDER            |                    |           |
| 4257642          | 0408800A    | シリンダ ; ブーム (右) | CYL.;BOOM (R)       |                    | 125       |
| 4257643          | 0408900A    | シリンダ ; ブーム (左) | CYL.;BOOM (L)       |                    | 127       |
| 4257644          | 0409000A    | シリンダ ; アーム     | CYL.;ARM            |                    | 129       |
| 4269538          | 0409100     | シリンダ ; バケツ     | CYL.;BUCKET         |                    | 131       |
| 4288744          | 0496600     | シリンダ ; クラムシェル  | CYL.;CLAMSHELL      |                    | 133       |
| その他              |             |                | E T C .             |                    |           |
| 9101532          | 9101532A    | センサ ; DP       | SENSOR;DP           |                    | 135       |
| 索 引              |             |                | P A R T S I N D E X |                    |           |
|                  |             |                |                     |                    | 137       |

001A

ポンプ ; シングル (1/2)

PUMP; SINGLE (1/2)



9101530B1



ポンプ;シングル (1/2)  
PUMP;SINGLE (1/2)

30001-

| 符号<br>ITEM | 部品番号<br>PART NO. | 部品名<br>PART NAME  | or<br>PART NAME<br>CODE | 数量<br>QTY | サービス<br>コード<br>S.C | 適用号機<br>SERIAL NO. | 互換性<br>ICA | 代替部品<br>REPLACEABLE<br>PART |           |
|------------|------------------|---|-------------------------|-----------|--------------------|--------------------|------------|-----------------------------|-----------|
|            |                  |   |                         |           |                    |                    |            | 部品番号<br>PART NO.            | 数量<br>QTY |
|            | 9101530          | PUMP;SINGLE (1/2)   | 9101530B1               | 1         |                    |                    |            |                             |           |
|            |                  | この部品番号/構成部品は PUMP;SINGLE(1/2) から (2/2) の部品を含みます。<br>This PART NO. consists of all parts shown in PUMP;SINGLE(1/2) to (2/2). |                         |           |                    |                    |            |                             |           |
| 01         | 4254405          | •O-RING   |                         | 1         |                    |                    |            |                             |           |
| 09         | 4255303          | •PUMP;GEAR  | 0408200                 | 1         |                    |                    |            |                             |           |
| 10         | M341030          | •BOLT;SOCKET  |                         | 2         |                    |                    |            |                             |           |
| 12         | A590110          | •WASHER;PLANE   |                         | 2         |                    |                    |            |                             |           |
| 22         | 9089486          | •PLUG   |                         | 1         |                    |                    |            |                             |           |
| 22A        | 4509180          | ••O-RING  |                         | 1         |                    |                    |            |                             |           |
| 23         | 4233165          | •PLUG   |                         | 1         |                    |                    |            |                             |           |
| 24         | 957366           | •O-RING   |                         | 1         |                    |                    |            |                             |           |
| 38         | +++++            | •SENSOR;ANGLE   | 9101533                 | 1         |                    |                    |            |                             |           |
| 38         | +++++            | •SENSOR;ANGLE   | 9128251                 | 1         | #S                 |                    |            |                             |           |
| 65         | 9089485          | •PLUG   |                         | 1         |                    |                    |            |                             |           |
| 65A        | 957366           | ••O-RING  |                         | 1         |                    |                    |            |                             |           |
| 67         | 4248773          | •SENSOR;PRES.   |                         | 1         |                    | -H12023            | I          | 4339754                     | 1         |
| 67         | 4339754          | •SENSOR;PRES.   |                         | 1         | #                  | H12024-            |            |                             |           |
| 67A        | 4150302          | •O-RING   |                         | 1         | #                  | H12024-            |            |                             |           |
| 68         | 4506416          | •O-RING   |                         | 1         |                    | -H02620            | I          | 4150302                     | 1         |
| 68         | 4150302          | •O-RING   |                         | 1         |                    | H02621-H12023      |            |                             |           |
| 70         | 4265372          | •SENSOR;REVOL.  |                         | 1         |                    |                    |            |                             |           |
| 71         | 4269615          | •O-RING   |                         | 1         |                    | -H06370            | Y          | 4306888                     | 1         |
| 71         | 4306888          | •O-RING   |                         | 1         |                    | H06371-            |            |                             |           |
| 73         | A590106          | •WASHER;PLANE   |                         | 5         |                    |                    |            |                             |           |
| 74         | M340616          | •BOLT;SOCKET  |                         | 1         |                    |                    |            |                             |           |
| 75         | 9098250          | •VALVE;SOLENOID   |                         | 2         |                    | -H05937            | I          | 9120292                     | 2         |
| 75         | 9120292          | •VALVE;SOLENOID   |                         | 2         |                    | H05938-            |            |                             |           |
| 76         | M340645          | •BOLT;SOCKET  |                         | 4         |                    |                    |            |                             |           |
| 77         | 971823           | •O-RING   |                         | 4         |                    |                    |            |                             |           |
| 78         | 4252767          | •BRACKET  |                         | 2         |                    |                    |            |                             |           |
| 79         | M340613          | •BOLT;SOCKET  |                         | 4         |                    |                    |            |                             |           |
| 85         | 9089485          | •PLUG   |                         | 1         |                    |                    |            |                             |           |
| 85A        | 957366           | ••O-RING  |                         | 1         |                    |                    |            |                             |           |
| 86         | 9089486          | •PLUG   |                         | 1         |                    |                    |            |                             |           |
| 86A        | 4509180          | ••O-RING  |                         | 1         |                    |                    |            |                             |           |
| 87         | 3055949          | •PIPE   |                         | 1         |                    |                    |            |                             |           |
| 88         | 4179837          | •FITTING;PIPE   |                         | 2         |                    |                    |            |                             |           |
| 88A        | 957366           | ••O-RING  |                         | 1         |                    |                    |            |                             |           |
| 89         | 9736515          | •CLAMP  |                         | 2         |                    |                    |            |                             |           |
| 90         | J900830          | •BOLT   |                         | 1         |                    |                    |            |                             |           |

Thank you so much for reading.  
Please click the “Buy Now!”  
button below to download the  
complete manual.



After you pay.

You can download the most  
perfect and complete manual in  
the world immediately.

Our support email:

[ebooklibonline@outlook.com](mailto:ebooklibonline@outlook.com)