

PARTS MANUAL

ELECTRIC

**E3.50-5.50XL, E4.50XLS
(C098)**

CUSTOMER EDITION

HYSTER

SECTIONS

1	FRAME
2	ELECTRICAL SYSTEM
3	DRIVE UNIT
4	STEERING SYSTEM
5	BRAKE/ACCELERATOR SYSTEM
6	HYDRAULIC SYSTEM
7	MAST-TWO STAGE LIMITED FREE-LIFT
8	MAST-THREE STAGE FULL FREE-LIFT
9	MAST-TWO STAGE FULL FREE-LIFT
10	OPTIONS
11	NUMERICAL INDEX

TABLE OF CONTENTS

DESCRIPTION	PAGE
A	
ACCELERATOR LINKAGE	5-20
ACCELERATOR PEDAL	
MONOTROL	5-22
ACCUMULATOR	10-48
B	
BACK-UP ALARM	10-6
BRAKE AND BACK-UP LIGHTS	
12 VOLT	10-4
BRAKE ASSEMBLY	5-6
BRAKE LINKAGE	5-2
C	
CARRIAGE	
THREE STAGE FULL FREE-LIFT	
⇒D/B 09/2002	8-56
E4.50XL ATTACHMENT	
⇒D/B 09/2002	8-60
TWO STAGE FULL FREE-LIFT	
⇒D/B 09/2002	9-46
E4.50XLS	
⇒D/B 09/2002	9-50
TWO STAGE LIMITED FREE-LIFT	
⇒D/B 09/2002	7-36
CARRIAGE ASSEMBLY	
THREE STAGE FULL FREE-LIFT	
⇒D/B 09/2002	8-58
TWO STAGE FULL FREE-LIFT	
D/B 09/2002⇒	9-48
TWO STAGE LIMITED FREE-LIFT	
D/B 09/2002⇒	7-38
CONTACTOR	
LINE	2-24
POWER STEERING ON-DEMAND	2-22
PUMP AND 1A	2-26
CONTACTOR PANEL	
CONTACTOR HOIST	2-21
TRANSISTOR HOIST	2-20
CONTROL PANEL	
CONTACTOR HYDRAULIC	
DUAL PUMPS	2-18
SINGLE PUMP	2-16
TRANSISTOR HYDRAULIC	2-14
COUNTERWEIGHT	1-18
D	
DRIVE AXLE	3-2
DRIVE LIGHTS	
12 VOLT	10-2
DRIVE TIRE AND WHEEL	

TABLE OF CONTENTS (Continued)

DESCRIPTION	PAGE
D (continued)	
POLYURETHANE	10-12
DRIVE WHEELS AND TIRES	10-10
E	
ELECTRICAL	
CONTACTOR HYDRAULIC	
DUAL PUMPS	2-10
SINGLE PUMP	2-6
TRANSISTOR HYDRAULIC	2-2
F	
FLOOR PLATES AND COVERS	1-10
FORK	
HOOK TYPE	1-26
HOOK TYPE OPTIONAL	1-28
FREE-LIFT	
THREE STAGE FULL FREE-LIFT	
D/B 09/2002⇒	8-28
⇒D/B 09/2002	8-24
TWO STAGE FULL FREE-LIFT	
⇒D/B 09/2002	9-18
FREE-LIFT CYLINDER	
THREE STAGE FULL FREE-LIFT	
D/B 09/2002⇒	8-44
⇒D/B 09/2002	8-40
TWO STAGE FULL FREE-LIFT	
D/B 09/2002⇒	9-34
⇒D/B 09/2002	9-30
H	
HEADER HOSE	
THREE STAGE FULL FREE-LIFT	
D/B 09/2002⇒	8-52
⇒D/B 09/2002	8-48
TWO STAGE FULL FREE-LIFT	
8° BACK TILT	
⇒D/B 09/2002	10-52
D/B 09/2002⇒	9-42
⇒D/B 09/2002	9-38
TWO STAGE LIMITED FREE-LIFT	
8° BACK TILT	
D/B 09/2002⇒	10-50
D/B 09/2002⇒	7-32
⇒D/B 09/2002	7-28
HOOD	1-14
HYDRAULIC CONTROL	
HAND LEVERS	6-26
HYDRAULIC FILTER	6-22
HYDRAULIC LINKAGE	

TABLE OF CONTENTS (Continued)

DESCRIPTION	PAGE
H (continued)	
CONTROL VALVE	6-24
HYDRAULIC MOTOR	
OPEN CONSTRUCTION WITHOUT BWI AND TEMP SENSOR	
S/N C098N-01676Y⇒	6-14
S/N C098N-01676Y⇒	6-20
SHEET 1 OF 2	
⇒S/N C098N-01675Y	6-16
SHEET 2 OF 2	
⇒S/N C098N-01675Y	6-18
HYDRAULIC PUMP	6-10
OPTIONAL	6-12
HYDRAULIC VALVE	
FIVE FUNCTION	6-40
FOUR FUNCTION	6-36
THREE FUNCTION	6-32
TWO FUNCTION	6-30
HYDRAULICS	
E3.50-4.00XL, E4.50XLS	
SINGLE PUMP AND MOTOR	6-2
E3.50-5.50XL	
DUAL PUMPS AND MOTORS	6-6
I	
INNER MAST	
THREE STAGE FULL FREE-LIFT	
D/B 09/2002⇒	8-14
⇒D/B 09/2002	8-12
TWO STAGE FULL FREE-LIFT	
⇒D/B 09/2002	9-8
TWO STAGE LIMITED FREE-LIFT	
D/B 09/2002⇒	7-8
⇒D/B 09/2002	7-6
INNER MAST AND FREE-LIFT	
TWO STAGE FULL FREE-LIFT	
D/B 09/2002⇒	9-10
INTEGRAL SIDE-SHIFT	
1219 MM (48 IN.) CLASS IV	
TWO STAGE LIMITED FREE-LIFT	10-24
THREE STAGE FULL FREE-LIFT	
E3.5-4.00XL, E4.50XLS	10-26
E4.50-5.50XL	10-34
TWO STAGE FULL FREE-LIFT	
E3.5-4.00XL, E4.50XLS	10-36
E4.50-5.50XL	10-42
TWO STAGE LIMITED FREE-LIFT	
E3.5-4.00XL, E4.50XLS	10-16
E4.50-5.50XL	10-18
INTEGRAL SIDE-SHIFT CARRIAGE	
1067 MM (42 IN.) CLASS III	

TABLE OF CONTENTS (Continued)

DESCRIPTION	PAGE
I (continued)	
THREE STAGE FULL FREE-LIFT	10-28
TWO STAGE FULL FREE-LIFT	10-38
TWO STAGE LIMITED FREE-LIFT	10-20
1219 MM (48 IN.) CLASS III	
TWO STAGE FULL FREE-LIFT	10-40
TWO STAGE LIMITED FREE-LIFT	10-22
1219 MM (48 IN.) CLASS III (E3.50-4.0 XL, E4.50XLS)	
THREE STAGE FULL FREE-LIFT	10-30
1219 MM (48 IN.) CLASS III (E4.50-5.50XL)	
THREE STAGE FULL FREE-LIFT	10-32
1219 MM (48 IN.) CLASS IV	
TWO STAGE FULL FREE-LIFT	10-44
INTERMEDIATE MAST	
THREE STAGE FULL FREE-LIFT	
D/B 09/2002⇒	8-10
⇒D/B 09/2002	8-8
L	
LABELS	1-21
LOAD BACKREST EXTENSION	1-24
M	
MAIN CYLINDER	
TWO STAGE LIMITED FREE-LIFT	
E3.50-4.00XL, E4.50XLS	
D/B 09/2002⇒	7-22
⇒D/B 09/2002	7-18
E4.50-5.50XL	
D/B 09/2002⇒	7-26
⇒D/B 09/2002	7-24
MAIN LIFT	
THREE STAGE FULL FREE-LIFT	
D/B 09/2002⇒	8-20
⇒D/B 09/2002	8-16
TWO STAGE FULL FREE-LIFT	
⇒D/B 09/2002	9-14
TWO STAGE LIMITED FREE-LIFT	
D/B 09/2002⇒	7-14
⇒D/B 09/2002	7-10
MAIN LIFT CYLINDER	
THREE STAGE FULL FREE-LIFT	
D/B 09/2002⇒	8-36
⇒D/B 09/2002	8-32
TWO STAGE FULL FREE-LIFT	
D/B 09/2002⇒	9-26
⇒D/B 09/2002	9-22
MAST INSTALLATION	6-48
MASTER CYLINDER	5-5

TABLE OF CONTENTS (Continued)

DESCRIPTION	PAGE
N	
NON-SUSPENSION SEAT SEARS.....	1-8
O	
OUTER MAST THREE STAGE FULL FREE-LIFT D/B 09/2002⇒.....	8-6
⇒D/B 09/2002.....	8-2
TWO STAGE FULL FREE-LIFT ⇒D/B 09/2002.....	9-2
TWO STAGE LIMITED FREE-LIFT D/B 09/2002⇒.....	7-4
⇒D/B 09/2002.....	7-2
OUTER MAST AND MAIN LIFT TWO STAGE FULL FREE-LIFT D/B 09/2002⇒.....	9-4
OVERHEAD GUARD.....	1-16
P	
PARK BRAKE.....	5-10
PARK BRAKE LINKAGE WITH SEAT BRAKE.....	5-12
S	
SEAT BRAKE 280 MM MOTOR.....	5-16
330 MM MOTOR.....	5-18
SEMI SUSPENSION SEAT WITH ARM REST.....	1-6
SEMI-SUSPENSION SEAT SEARS.....	1-2
SIDE-SHIFT CARRIAGE E3.50-4.00XL, E4.50XLS.....	10-14
SIDE-SHIFT CYLINDER.....	10-46
STEER WHEEL TIRE AND WHEEL.....	10-8
STEERING AXLE.....	4-12
STEERING COLUMN D/B 05/2002⇒.....	4-6
⇒D/B 05/2002.....	4-2
STEERING CONTROL UNIT ⇒D/B 02/2000.....	4-16
D/B 02/2000⇔D/B 05/2002.....	4-18
D/B 05/2002⇒.....	4-20
STEERING CYLINDER.....	4-22
STEERING LINES.....	4-10
STEERING MOTOR ⇒S/N C098N-02667A.....	4-26
S/N C098N-02668A⇒.....	4-28
STEERING PUMP.....	4-24

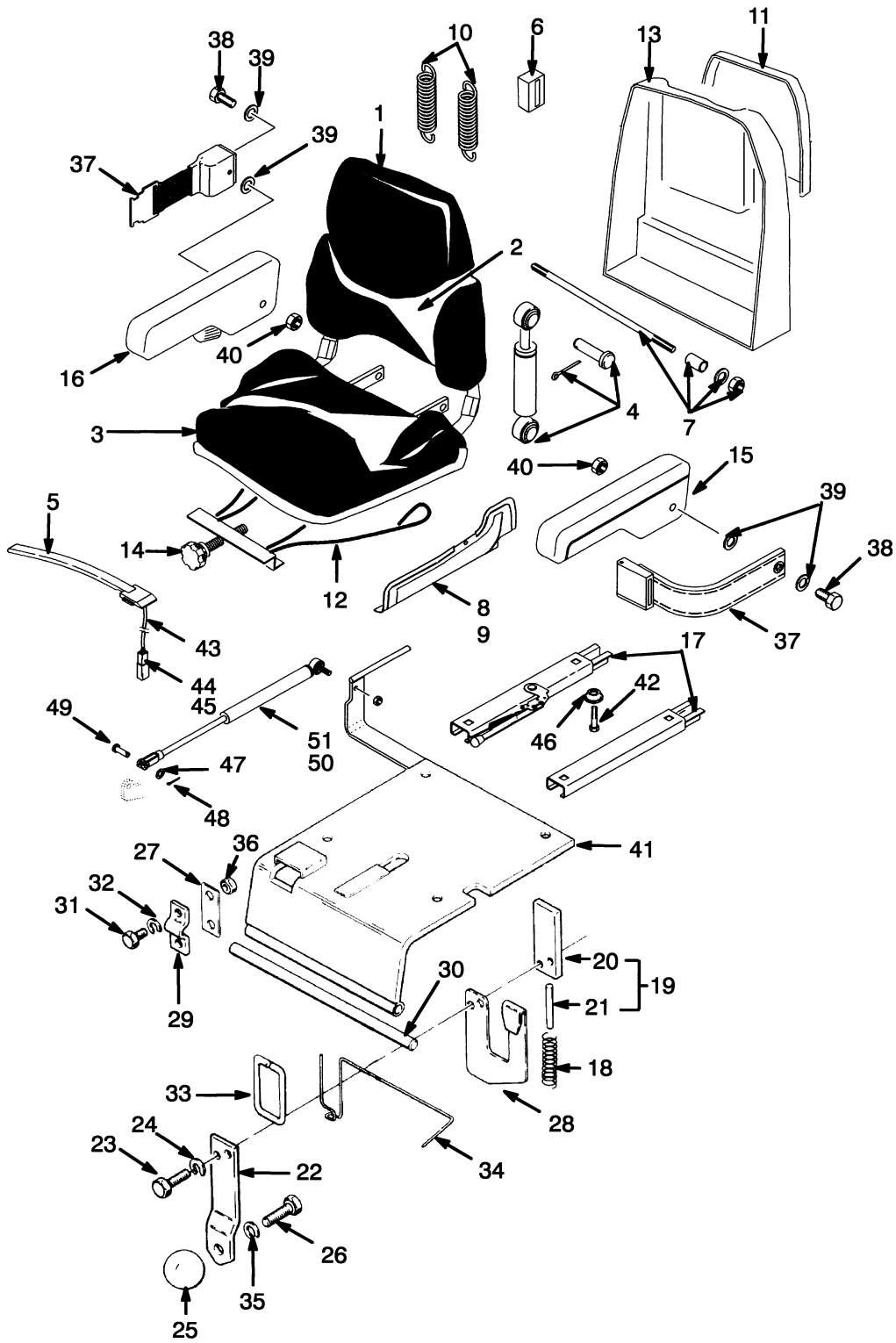
TABLE OF CONTENTS (Continued)

DESCRIPTION	PAGE
T	
TILT CYLINDER	
⇒S/N C098N-02199Z.....	6-44
S/N C098N-02200Z⇒.....	6-46
TRACTION MOTOR	
280 MM DIAMETER	
E3.50-4.00XL, E4.50XLS	3-10
330 MM DIAMETER	
E3.50-5.50XL	
S/N C098N01501Y⇒, S/N C098V06229X⇒.....	3-14
E3.50-5.50XL	
⇒S/N C098V06228X	3-12
TRANSMISSION	3-6
W	
WIRE HARNESS	
MAIN.....	2-28

**SECTION 1
FRAME**

DESCRIPTION	PAGE
COUNTERWEIGHT	1-18
FLOOR PLATES AND COVERS	1-10
FORK	
HOOK TYPE	1-26
HOOK TYPE OPTIONAL	1-28
HOOD	1-14
LABELS	1-21
LOAD BACKREST EXTENSION	1-24
NON-SUSPENSION SEAT	
SEARS	1-8
OVERHEAD GUARD	1-16
SEMI SUSPENSION SEAT	
WITH ARM REST	1-6
SEMI-SUSPENSION SEAT	
SEARS	1-2

SEMI-SUSPENSION SEAT (Figure 1-1) SEARS



YP120186

**SEMI-SUSPENSION SEAT
SEARS****KEY:****A: Fabric Seat****B: Vinyl Seat**

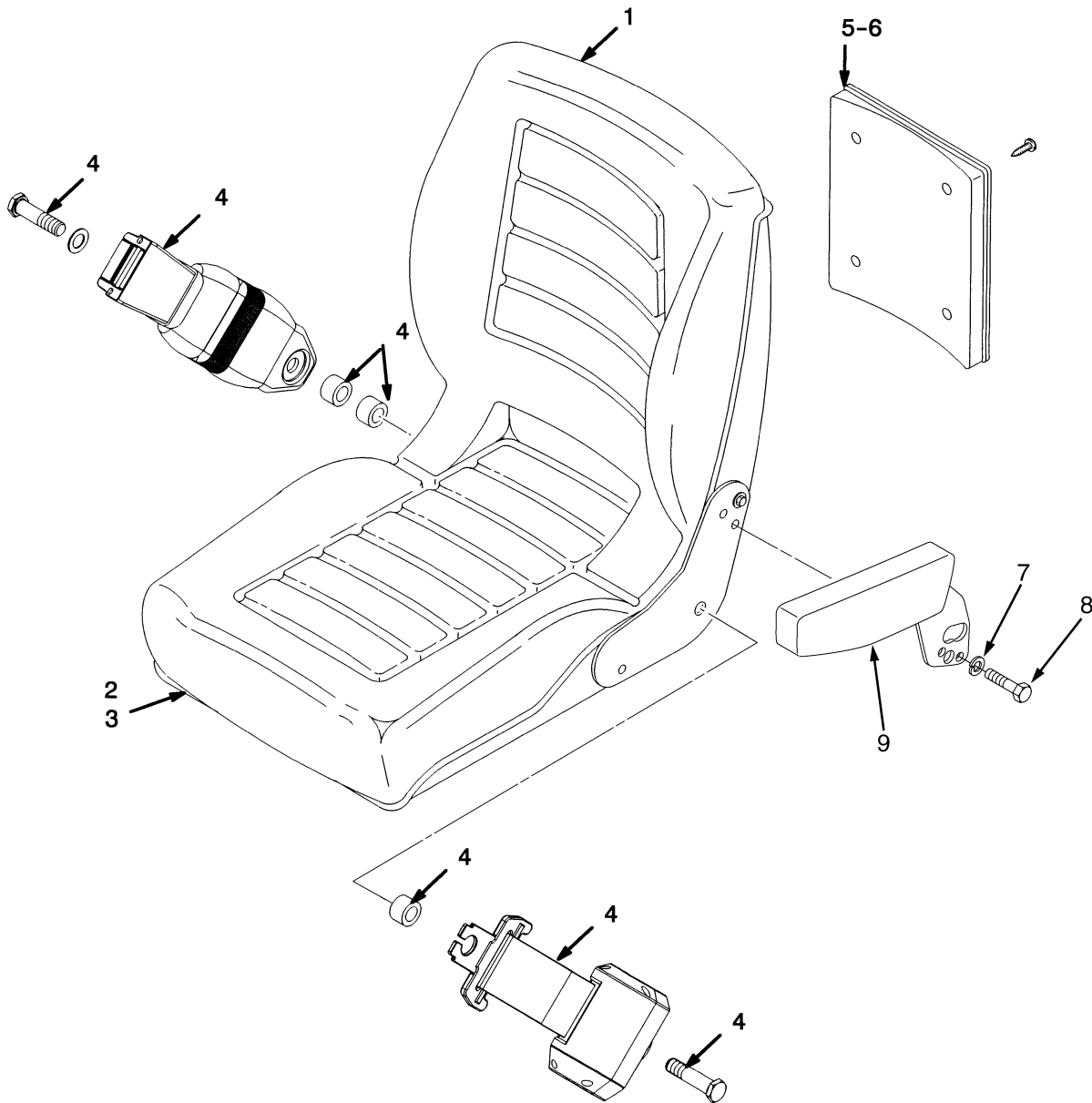
ITEM	PART NO.	DESCRIPTION	QTY	
			A	B
1	1450209	Semi-Suspension Seat	1
1	1450210	Semi-Suspension Seat	1	..
2	1382111	Back Cushion	1
2	1382113	Back Cushion	1	..
3	1382112	Seat Cushion.....	..	1
3	1382114	Seat Cushion.....	1	..
4	1362049	Shock Absorber Kit.....	1	1
5	1354140	Switch Assembly	1	1
6	1362052	Block.....	1	1
7	1362053	Shaft and Bearing Kit	1	1
8	1453885	Cover (RH)	1	1
9	1453884	Cover (LH).....	1	1
10	1367137	Suspension Spring Kit.....	1	1
11	1453887	Holder.....	1	1
12	1378307	Suspension Cable Kit.....	1	1
13	1453886	Cover (Rear).....	1	1
14	1362061	Knob Kit.....	1	1
15	1453882	Armrest (LH).....	1	1
16	1453883	Armrest (RH).....	1	1
17	1459114	Seat Rail Kit.....	1	1
18	359849	Spring	1	1
19	1461896	Latch	1	1
20	1461888	Plate	1	1
21	302428	Pin	1	1
22	325592	Plate	1	1
23	287817	Capscrew.....	2	2
24	292680	Lockwasher.....	2	2
25	190481	Knob	1	1
26	16372	Capscrew.....	1	1
27	325616	Spacer	AR	AR
28	362004	Spring Latch	1	1
29	355374	Clamp	2	2
30	360730	Bar	1	1
31	287860	Capscrew.....	4	4
32	292682	Lockwasher.....	4	4
33	362005	Rod	1	1
34	355336	Spring	1	1
35	15156	Lockwasher.....	1	1
36	136692	Nut	4	4
37	Seat Belt.....	1	1
38	Bolt	2	2
39	Washer	4	4
40	Nut	2	2
41	a 1463968	Plate	1	1
41	b 1528835	Plate	1	1
42	220146	Capscrew.....	4	4

SEMI-SUSPENSION SEAT SEARS

ITEM	PART NO.	DESCRIPTION	QTY	
			A	B
43	1459215	Wire Harness.....	1	1
44	1330409	Connector.....	1	1
45	1330414	Secondary Lock.....	1	1
46	204114	Spacer.....	4	4
47	18515	Washer.....	1	1
48	15212	Cotter Pin.....	1	1
49	139	Rod End Pin.....	1	1
50	251099	Adhesive.....	AR	AR
51	865371	Gas Spring.....	1	1
	1461081	Seat Belt Kit (Includes Items 37-40).....	1	1

FOOTNOTES:**a** ⇒ D/B 06/2002**b** D/B 06/2002 ⇒

SEMI SUSPENSION SEAT (Figure 1-2) WITH ARM REST



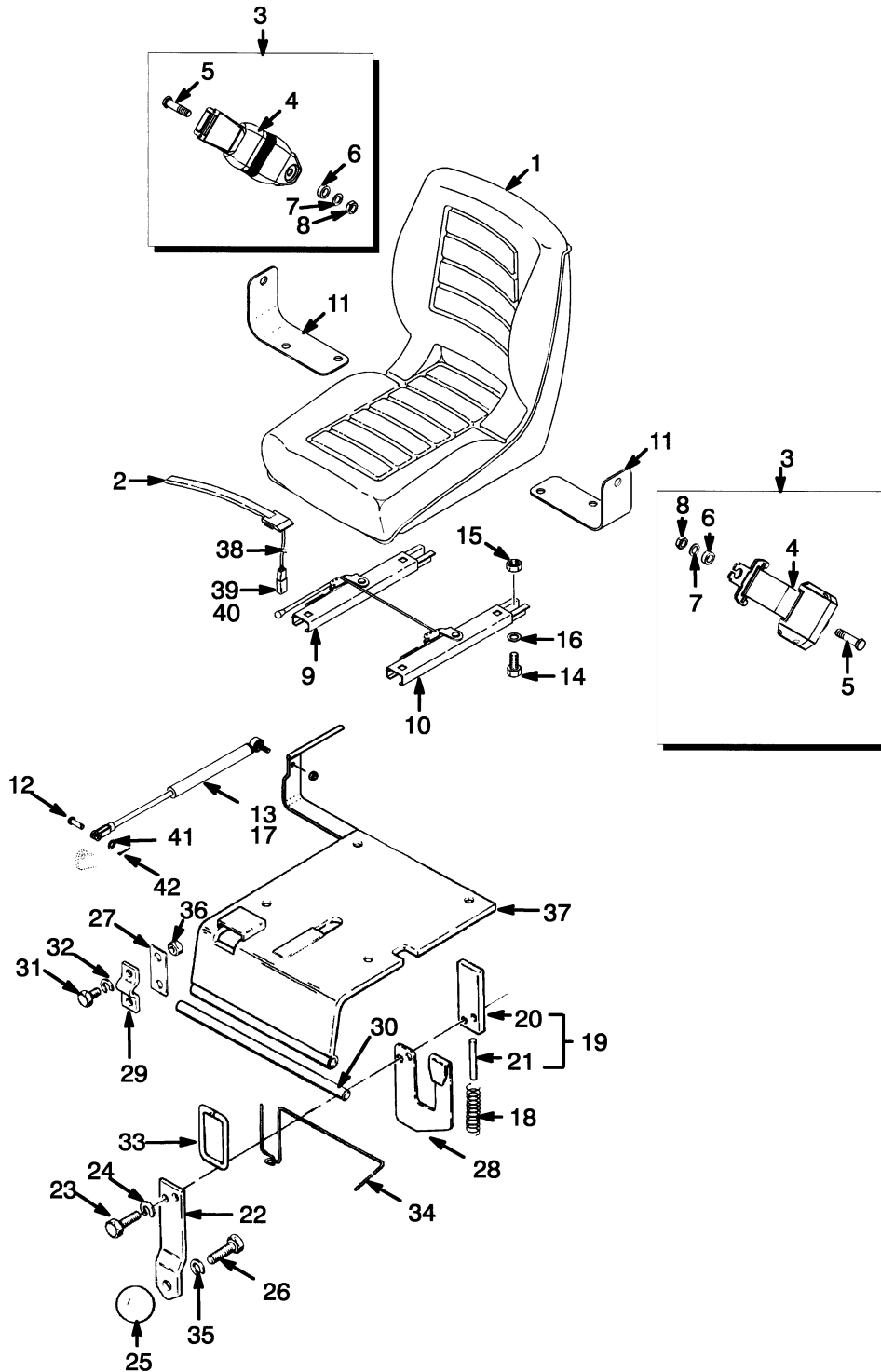
HP120143

**SEMI SUSPENSION SEAT
WITH ARM REST**

ITEM	PART NO.	DESCRIPTION	QTY
	2041645	Semi-Suspension Seat	1
1	1480403	Back Cushion	1
2	1480404	Seat Cushion (With Switch).....	1
3	a 1480405	Slider Kit	1
4	1461081	Seat Belt Kit.....	1
5	335989	Tube.....	1
6	335991	Cover	1
7	292681	Lockwasher.....	4
8	287851	Capscrew.....	4
9	1492119	Armrest (LH)	1
9	1492120	Armrest (RH)	1
	1492278	Armrest Kit (Includes Items 7-9).....	1

FOOTNOTES:**a** Not Illustrated

NON-SUSPENSION SEAT (Figure 1-3) SEARS



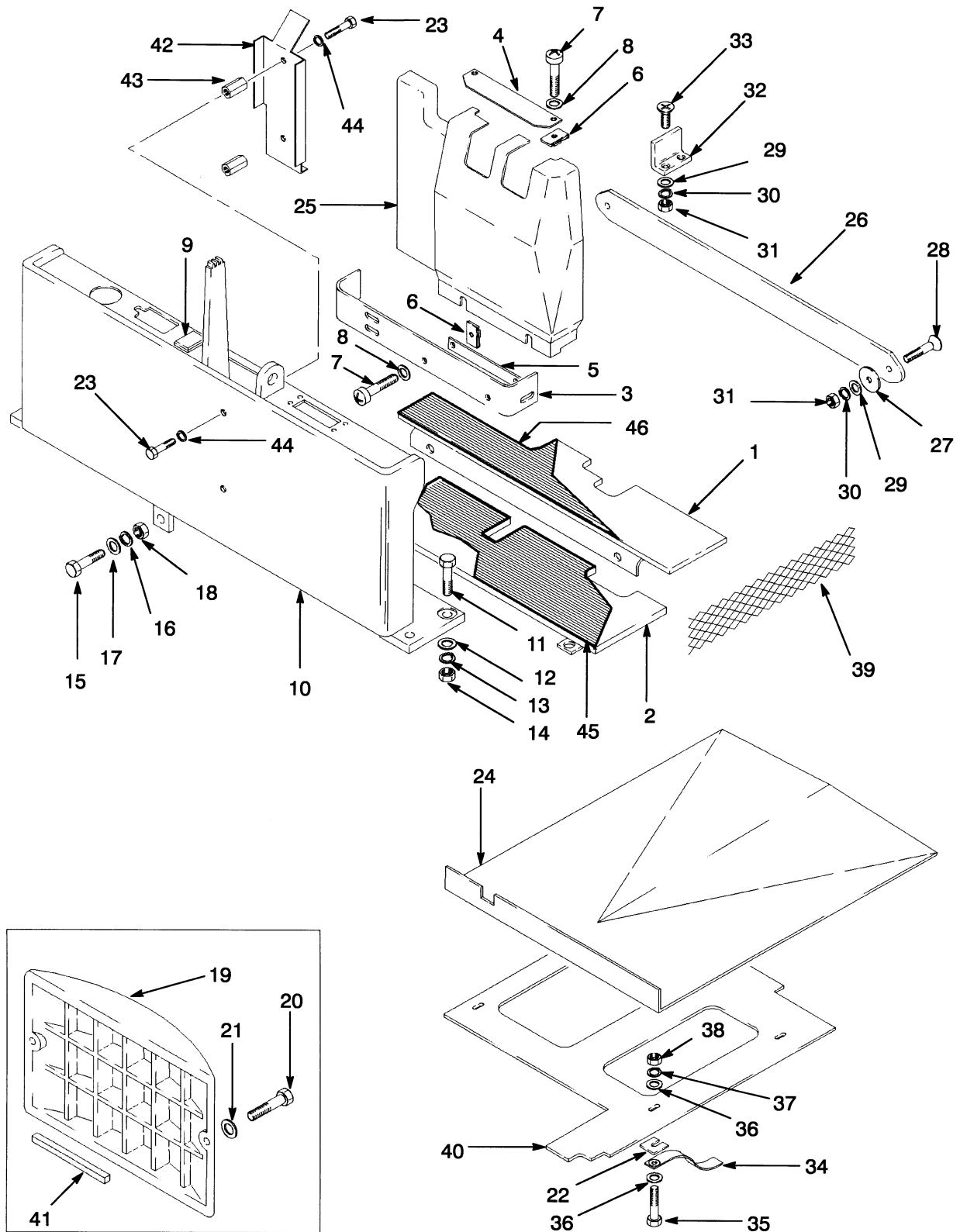
HP120187

**NON-SUSPENSION SEAT
SEARS**

ITEM	PART NO.	DESCRIPTION	QTY
	1460231	Non-Suspension Seat.....	1
1	364911	Seat.....	1
2	2037311	Switch Assembly.....	1
3	1461081	Seat Belt Kit.....	1
4	Seat Belt.....	1
5	Screw.....	2
6	Washer.....	2
7	Washer.....	2
8	Nut.....	2
9	1470176	Seat Rail (RH).....	1
10	1470177	Seat Rail (LH).....	1
11	1470175	Bracket.....	1
12	139	Rod End Pin.....	1
13	251099	Adhesive.....	AR
14	18897	Capscrew.....	4
15	222665	Nut.....	4
16	18515	Washer.....	4
17	865371	Gas Spring.....	1
18	359849	Spring.....	1
19	1461896	Latch.....	1
20	1461888	Plate.....	1
21	302428	Pin.....	1
22	325592	Plate.....	1
23	287817	Capscrew.....	2
24	292680	Lockwasher.....	2
25	190481	Knob.....	1
26	16372	Capscrew.....	1
27	325616	Spacer.....	AR
28	362004	Spring Latch.....	1
29	355374	Clamp.....	2
30	360730	Bar.....	1
31	287860	Capscrew.....	4
32	292682	Lockwasher.....	4
33	362005	Rod (Formed).....	1
34	355336	Spring.....	1
35	15156	Lockwasher.....	1
36	136692	Nut.....	4
37	a 1463968	Plate.....	1
37	b 1528835	Plate.....	1
38	1459215	Wire Harness.....	1
39	1330409	Connector.....	1
40	1330414	Secondary Lock.....	1
41	18515	Washer.....	1
42	15212	Cotter Pin.....	1
	1461081	Seat Belt Kit (Includes Items 4-8).....	1

FOOTNOTES:**a** ⇒ D/B 06/2002**b** D/B 06/2002 ⇒

FLOOR PLATES AND COVERS (Figure 1-4)



HP120188

FLOOR PLATES AND COVERS

ITEM	PART NO.	DESCRIPTION	QTY
1	bd 1462416	Floorplate (Rear)	1
1	ad 1462417	Floorplate (Rear)	1
1	ac 1462418	Floorplate (Rear)	1
1	bc 2037419	Floorplate (Rear)	1
2	d 1462420	Floorplate (Front)	1
2	c 2037420	Floorplate (Front)	1
3	375159	Plate	1
4	375160	Plate	1
5	325096	Plate	1
6	1354323	Nut (Foldover)	6
7	302049	Screw	6
8	320156	Washer	6
9	374046	Plug	1
10	1465893	Cowl	1
11	221570	Capscrew	8
12	221771	Washer	8
13	15158	Lockwasher	8
14	221712	Nut	8
15	136985	Capscrew	1
16	292682	Lockwasher	1
17	320159	Washer	2
18	136692	Nut	1
19	375184	Cover	1
20	16828	Capscrew	2
21	221767	Washer	2
22	e 361998	Plate	4
23	18718	Capscrew	4
24	1462422	Cover (E3.50-4.00XL, E4.50XLS)	1
24	1462423	Cover (E4.50-5.50XL)	1
25	375161	Cover (Two, Three, and Four Function Valves)	1
25	375162	Cover (Five Function Valve)	1
26	375249	Plate	1
27	361973	Spacer	12
28	296248	Capscrew	2
29	296421	Washer	6
30	292682	Lockwasher	6
31	136692	Nut	6
32	375226	Spacer	2
33	296241	Capscrew	4
34	e 216895	Static Strap	2
35	e 176640	Capscrew	4
36	e 320158	Washer	8
37	e 292681	Lockwasher	2
37	e 296406	Washer	2
38	e 239503	Nut	4
39	e 1302491	Sheet	2
40	e 1302492	Plate	1
41	e 361988	Tape	AR
42	1330825	Cover	1
43	1328480	Standoff	2
44	15154	Lockwasher	4

FLOOR PLATES AND COVERS

ITEM	PART NO.	DESCRIPTION	QTY
45	2037421	Floormat (Front).....	1
46	a 1462429	Floormat (Rear).....	1
46	b 2037422	Floormat (Rear).....	1

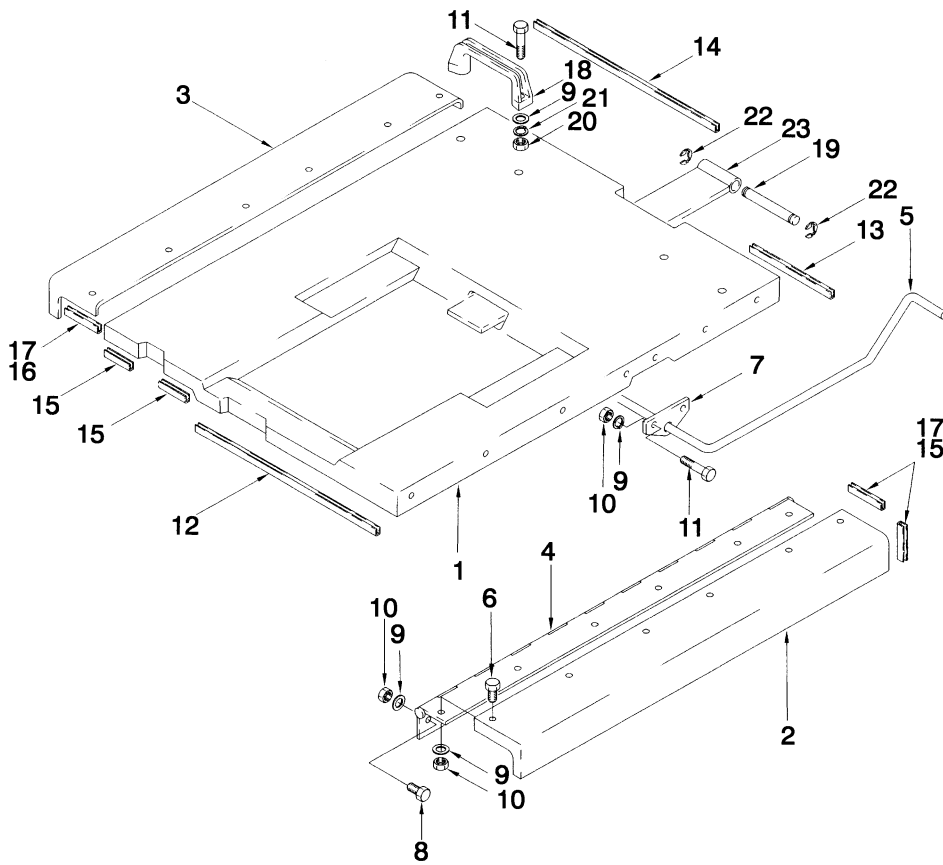
FOOTNOTES:

- a** "A" Position Battery Connector
- b** "B" Position Battery Connection
- c** Smooth
- d** Textured
- e** Type EE

HYSTER

NOTES

HOOD (Figure 1-5)

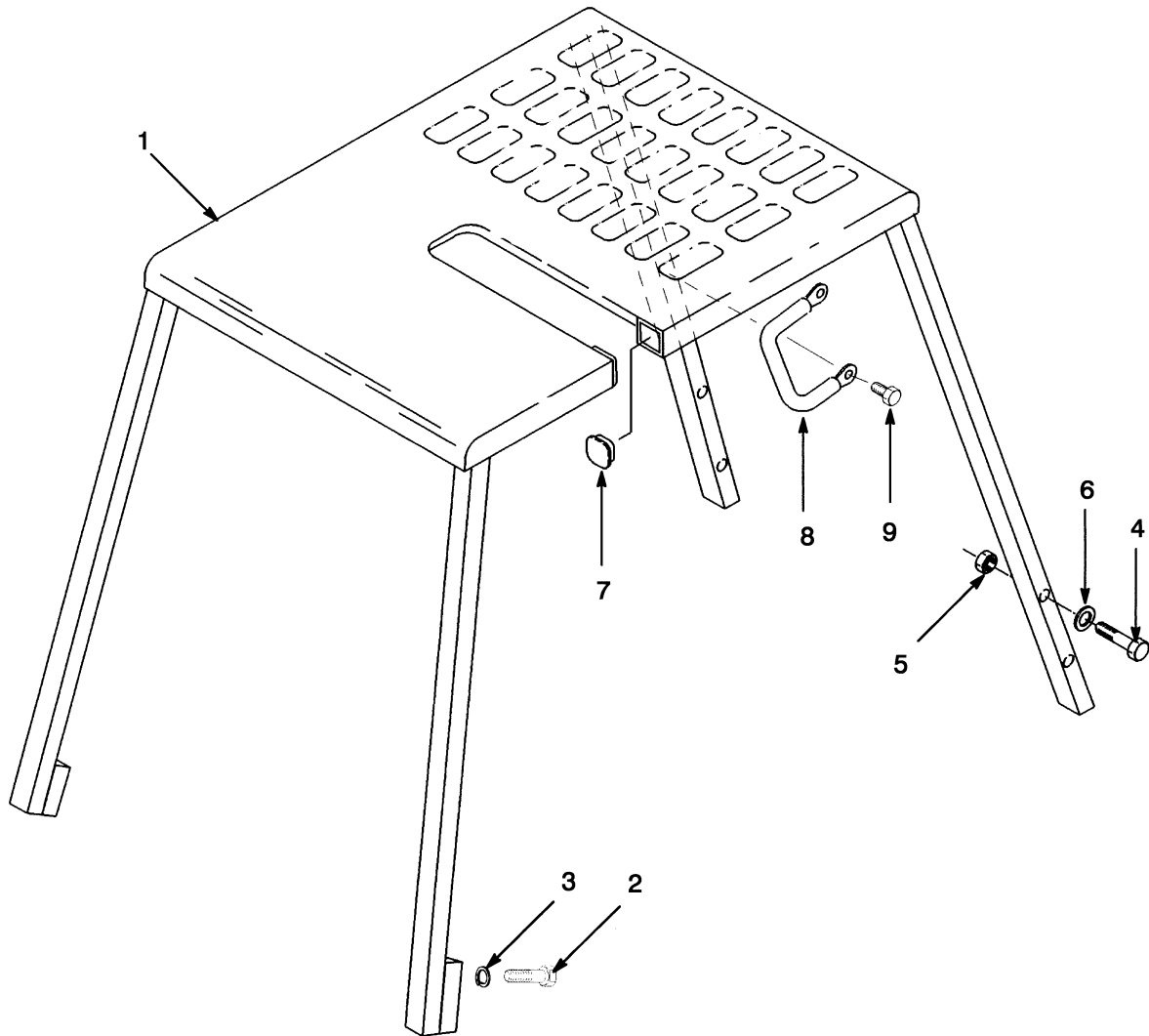


HP120189

HOOD**KEY:****A: E3.50-4.00XL, 4.50XLS****B: E4.50-5.50XL**

ITEM	PART NO.	DESCRIPTION	QTY	
			A	B
1	1461930	Hood	1	..
1	1461931	Hood	1
2	1462074	Hood (LH)	1	..
2	1462075	Hood (LH)	1
3	1462078	Hood (RH)	1	..
3	1462079	Hood (RH)	1
4	1462088	Hinge	2	..
4	1462089	Hinge	2
5	1302505	Hinge	1	1
6	296215	Capscrew.....	12	12
7	388768	Bracket.....	2	2
8	292500	Capscrew.....	10	10
9	320156	Washer	30	30
10	313805	Nut	26	26
11	287816	Capscrew.....	8	8
12	362031	Trim	1	1
13	375295	Trim	1	1
14	375296	Trim	1	1
15	325980	Trim	6	6
16	388752	Trim	2	2
17	362043	Adhesive	AR	AR
18	362030	Handle	2	2
19	1302519	Pin	1	1
20	136687	Nut	4	4
21	292680	Lockwasher.....	4	4
22	185118	E-Ring.....	2	2
23	1302506	Plate	1	..
23	1302507	Plate	1

OVERHEAD GUARD (Figure 1-6)



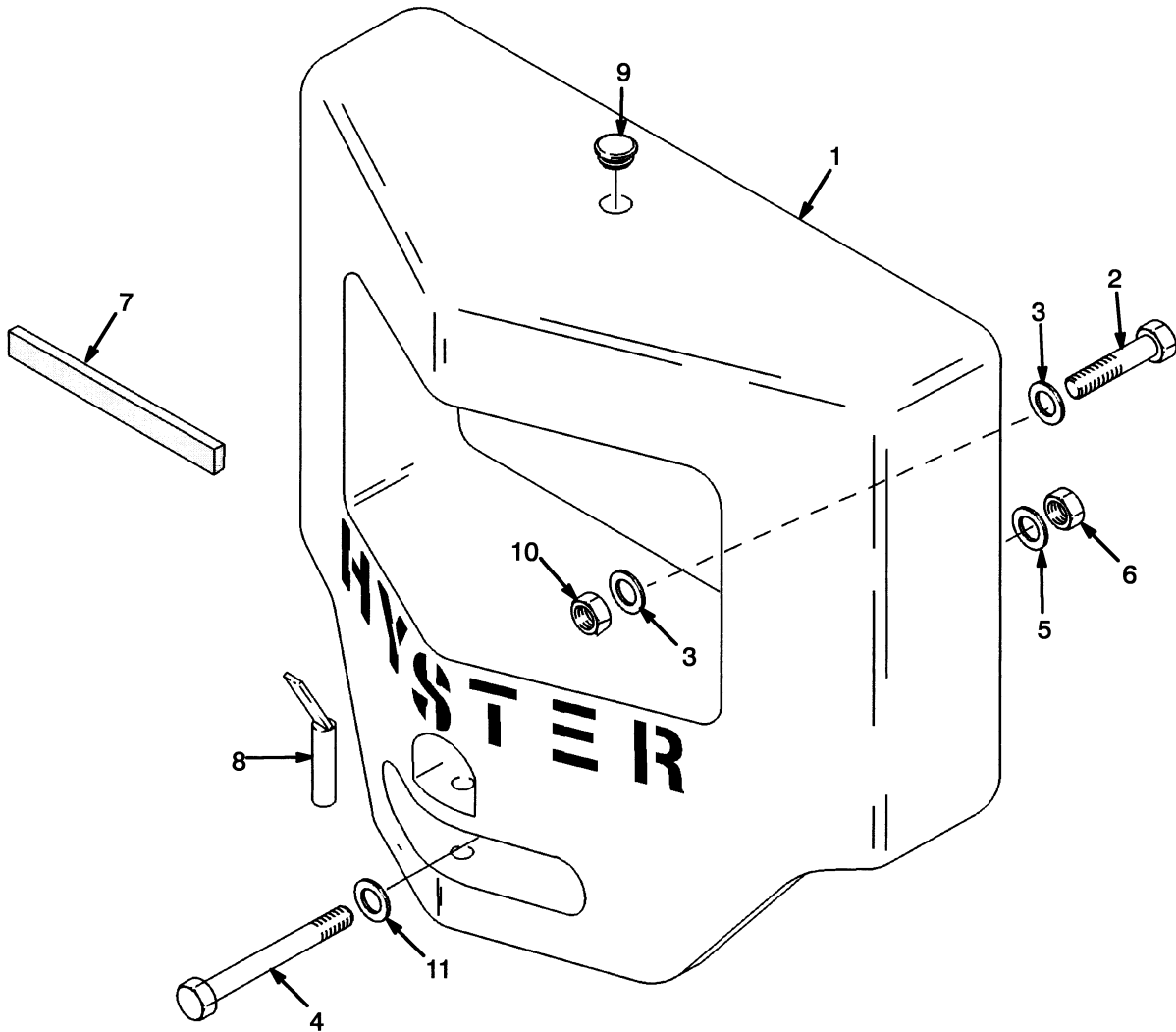
HP120190

OVERHEAD GUARD**KEY:****A: E3.50-4.00XL, E4.50XLS (Standard Height)****B: E4.50-5.50XL (Standard Height)****C: E3.50-4.00XL, E4.50XLS (Raised Height)****D: E4.50-5.50XL (Raised Height)**

ITEM	PART NO.	DESCRIPTION	QTY			
			A	B	C	D
1	1302512	Overhead Guard	1
1	1302513	Overhead Guard	1
1	1302514	Overhead Guard	1	..
1	1302515	Overhead Guard	1
1	b 1541237	Overhead Guard	1	..
1	a 1541240	Overhead Guard	1
2	293646	Capscrew	4	4	4	4
3	292683	Lockwasher	4	4	4	4
4	221581	Capscrew	4	4	4	4
5	221355	Nut	4	4	4	4
6	15135	Washer	8	8	8	8
7	329699	Plug	2	2	2	2
8	1343647	Handle	1	1	1	1
9	329067	Screw	2	2	2	2

FOOTNOTES:**a** Long Frame Grid Type**b** Short Frame Grid Type

COUNTERWEIGHT (Figure 1-7)



HP120191

COUNTERWEIGHT

ITEM	PART NO.	DESCRIPTION	QTY
1	a 375145	Counterweight (E4.50XLS, E5.50XL)	1
1	b 1519765	Counterweight (E4.50XLS, E5.50XL)	1
1	a 375146	Counterweight (E4.00XL, E4.50XL).....	1
1	b 1519764	Counterweight (E4.00XL, E4.50XL).....	1
1	a 375147	Counterweight (E3.50XL)	1
1	b 1519763	Counterweight (E3.50XL)	1
2	1388511	Capscrew	2
3	221779	Washer	4
4	287814	Capscrew	2
5	300932	Washer	2
6	300937	Locknut	2
7	326003	Tape	AR
8	326347	Tow Pin	1
9	375479	Plug	1
10	221359	Nut	2
11	300932	Washer	2

FOOTNOTES:**a** ⇒ D/B 04/2002**b** D/B 04/2002 ⇒

Thank you so much for reading.
Please click the “Buy Now!”
button below to download the
complete manual.



After you pay.

You can download the most
perfect and complete manual in
the world immediately.

Our support email:

ebooklibonline@outlook.com