

# **PARTS MANUAL**

---

**H6.00-7.00XL  
(G006)**

CUSTOMER EDITION

---

***HYSTER***

**SECTIONS**

<b>1</b>	<b>FRAME</b>
<b>2</b>	<b>ENGINES</b>
<b>3</b>	<b>FUEL SYSTEM</b>
<b>4</b>	<b>ELECTRICAL SYSTEM</b>
<b>5</b>	<b>TRANSMISSION</b>
<b>6</b>	<b>STEERING SYSTEM</b>
<b>7</b>	<b>BRAKE SYSTEM</b>
<b>8</b>	<b>HYDRAULIC SYSTEM</b>
<b>9</b>	<b>MAST-TWO STAGE LIMITED FREE-LIFT</b>
<b>10</b>	<b>MAST-THREE STAGE FULL FREE-LIFT</b>
<b>11</b>	<b>OPTIONS</b>
<b>12</b>	<b>NUMERICAL INDEX</b>

**TABLE OF CONTENTS**

DESCRIPTION	PAGE
<b>A</b>	
ACCELERATOR PEDAL AND BRACKET	
MONOTROL .....	3-28
WITH FORWARD AND REVERSE LEVER.....	3-26
AIR FILTER	
HEAVY DUTY	
DIESEL.....	3-6
LPG .....	3-4
LPG AND DIESEL	
STANDARD .....	3-2
ALTERNATOR AND MOUNTING	
DIESEL .....	4-24
AXLE HOUSING AND ATTACHING PARTS.....	5-35
<b>B</b>	
BATTERY DISCONNECT	
EEC	
DIESEL.....	4-12
LPG .....	4-6
BRAKE .....	7-12
BRAKE BOOSTER.....	7-14
BRAKE LINES	
PENDING PER ECN 74953⇒.....	7-6
⇒PENDING PER ECN 74953.....	7-4
BRAKE PEDAL LINKAGE	
POWERSHIFT .....	7-8
<b>C</b>	
CAB.....	11-2
CAMSHAFT AND OIL SUMP	
LPG .....	2-34
CARRIAGE	
PIN TYPE	
THREE STAGE FULL FREE-LIFT .....	10-16
TWO STAGE LIMITED FREE-LIFT .....	9-10
CLUTCH PACK	
POWERSHIFT	
COUNTER, FORWARD, SHORT SHAFT	
D/B 10/2004⇒.....	5-20
⇒D/B 10/2004 .....	5-18
INPUT, REVERSE, LONG SHAFT	
D/B 10/2004⇒.....	5-24
⇒D/B 10/2004 .....	5-22
COIL ASSEMBLY .....	2-24
CONTROL VALVE	
FOUR FUNCTION .....	8-24
TWO AND THREE FUNCTION .....	8-18
CONTROL VALVE ATTACHING PARTS WITH FITTINGS	
FOUR FUNCTION .....	8-26
TWO AND THREE FUNCTION .....	8-20
CONTROL VALVE ATTACHING TUBES .....	8-28

**TABLE OF CONTENTS (Continued)**

<b>DESCRIPTION</b>	<b>PAGE</b>
<b>C (continued)</b>	
COOLING AND FAN DRIVE	
DIESEL .....	2-20
COUNTERWEIGHT .....	1-22
COWL AND FLOOR PLATES .....	1-16
CRANKSHAFT AND PISTONS	
DIESEL .....	2-48
CYLINDER BLOCK	
DIESEL .....	2-42
LPG .....	2-26
CYLINDER HEAD	
LPG .....	2-28
CYLINDER HEAD AND INDUCTION MANIFOLD	
DIESEL .....	2-44
<b>D</b>	
DIFFERENTIAL AND CARRIER .....	5-32
DISTRIBUTOR	
LPG .....	4-5
DRIVE ADAPTER	
DIESEL .....	2-66
DRIVE AXLE .....	5-30
DRIVE SHAFT	
HYDRAULIC .....	8-4
DRIVE SHAFT ASSEMBLY .....	5-28
<b>E</b>	
ELECTRICAL SYSTEM	
DIESEL .....	4-8
LPG .....	4-2
ENGINE ASSEMBLY	
LPG .....	2-22
ENGINE FUEL SYSTEM	
LPG .....	3-10
ENGINE MOUNTING .....	2-4
EXHAUST	
WITH CAB	
DIESEL .....	2-10
LPG .....	2-8
WITHOUT CAB	
DIESEL .....	2-14
LPG .....	2-12
EXHAUST MANIFOLD	
DIESEL .....	2-56
LPG .....	2-40
<b>F</b>	
FAN DRIVE AND ALTERNATOR MOUNTING	
LPG .....	2-18
FLYWHEEL .....	2-6

**TABLE OF CONTENTS (Continued)**

DESCRIPTION	PAGE
<b>F (continued)</b>	
FORKS	
PIN TYPE.....	1-26
FREE-LIFT	
THREE STAGE FULL FREE-LIFT .....	10-10
FUEL FILTER	
TIER II	
DIESEL.....	3-23
FUEL INJECTION PUMP	
DIESEL TIER II	
⇒S/N G006V01872B .....	2-62
WITH BLEED BACK SYSTEM	
S/N G006V01873B⇒ .....	2-64
FUEL SUPPLY SYSTEM	
DIESEL TIER II	
FUEL FILTER SYSTEM .....	3-20
TANK AND COVER ASSEMBLY .....	3-16
WATER SEPARATOR AND FUEL PUMP SYSTEM.....	3-18
LPG.....	3-8
FULL SUSPENSION SEAT	
PENDING PER ECN 74953⇒ .....	1-12
SHEET 1 OF 2	
⇒PENDING PER ECN 74953 .....	1-8
SHEET 2 OF 2	
⇒PENDING PER ECN 74953 .....	1-10
<b>G</b>	
GAUGE CLUSTER.....	4-18
GENERAL TRUCK.....	1-2
<b>H</b>	
HEADER HOSE	
THREE STAGE FULL FREE-LIFT .....	10-18
TWO STAGE LIMITED FREE-LIFT.....	9-12
HEATER .....	11-6
HOOD.....	1-14
HYDRAULIC OIL FILTER .....	8-14
HYDRAULIC PUMP.....	8-10
HYDRAULIC SYSTEM .....	8-2
HYDRAULIC TANK.....	8-12
<b>I</b>	
INNER MAST	
THREE STAGE FULL FREE-LIFT .....	10-6
TWO STAGE LIMITED FREE-LIFT.....	9-4
INSTRUMENT PANEL.....	4-14
INTERMEDIATE MAST	
THREE STAGE FULL FREE-LIFT .....	10-4

## TABLE OF CONTENTS (Continued)

DESCRIPTION	PAGE
<b>L</b>	
LABELS.....	1-18
LIFT	
TWO STAGE LIMITED FREE-LIFT.....	9-6
LIFT CYLINDER	
FREE-LIFT	
THREE STAGE FULL FREE-LIFT .....	10-14
MAIN	
THREE STAGE FULL FREE-LIFT .....	10-12
TWO STAGE LIMITED FREE-LIFT.....	9-8
LIGHTS.....	11-18
LOAD BACKREST EXTENSION.....	1-24
LPG REGULATOR .....	3-14
<b>M</b>	
MAIN LIFT	
THREE STAGE FULL FREE-LIFT .....	10-8
MASTER CYLINDER .....	7-16
MONOTROL PEDAL .....	3-30
<b>N</b>	
NON-SUSPENSION SEAT	
PENDING PER ECN 74953⇒.....	1-6
⇒PENDING PER ECN 74953.....	1-4
<b>O</b>	
OIL COOLER	
DIESEL .....	2-59
OIL FILTER	
DIESEL .....	2-57
OIL PAN AND PUMP	
DIESEL .....	2-50
OIL PUMP	
LPG .....	2-38
OUTER MAST	
THREE STAGE FULL FREE-LIFT .....	10-2
TWO STAGE LIMITED FREE-LIFT.....	9-2
OVERHEAD GUARD.....	1-20
<b>P</b>	
PARK BRAKE.....	7-2
<b>R</b>	
RADIATOR	
LPG.....	2-16
ROTATING BEACON.....	11-22

**TABLE OF CONTENTS (Continued)**

DESCRIPTION	PAGE
<b>S</b>	
SIDE-SHIFT CARRIAGE	
1981 MM	
THREE STAGE FULL FREE-LIFT .....	11-12
TWO STAGE LIMITED FREE-LIFT .....	11-10
SIDE-SHIFT CYLINDER .....	11-16
STARTER	
LPG.....	4-20
STARTER MOTOR	
DIESEL .....	4-22
STEERING AXLE .....	6-8
STEERING COLUMN.....	6-2
STEERING CONTROL UNIT .....	6-4
STEERING CYLINDER	
PENDING PER ECN 10403003⇒ .....	6-14
⇒PENDING PER ECN 10403003 .....	6-12
STEERING HYDRAULIC.....	8-6
STEERING PUMP.....	6-6
<b>T</b>	
THROTTLE BODY AND LPG MIXER.....	3-12
THROTTLE LINKAGE	
LPG AND DIESEL .....	3-24
TILT CYLINDER .....	8-16
TIMING GEAR	
DIESEL .....	2-54
TIRES AND WHEELS	
DRIVE .....	11-24
STEERING.....	11-26
TORQUE CONVERTER	
POWERSHIFT .....	5-26
TRANSMISSION	
POWERSHIFT .....	5-2
TRANSMISSION CONTROL LINKAGE	
FORWARD AND REVERSE LEVER	
PENDING PER ECN 74953⇒ .....	5-16
POWERSHIFT .....	5-12
TRANSMISSION CONTROL VALVE	
POWERSHIFT .....	5-8
TRANSMISSION COOLING.....	8-30
TRANSMISSION GEARS	
POWERSHIFT .....	5-6
<b>V</b>	
VALVE COVER AND INLET MANIFOLD	
LPG .....	2-30
VALVE COVER AND ROCKER ARM SHAFT	
DIESEL .....	2-46

**TABLE OF CONTENTS (Continued)**

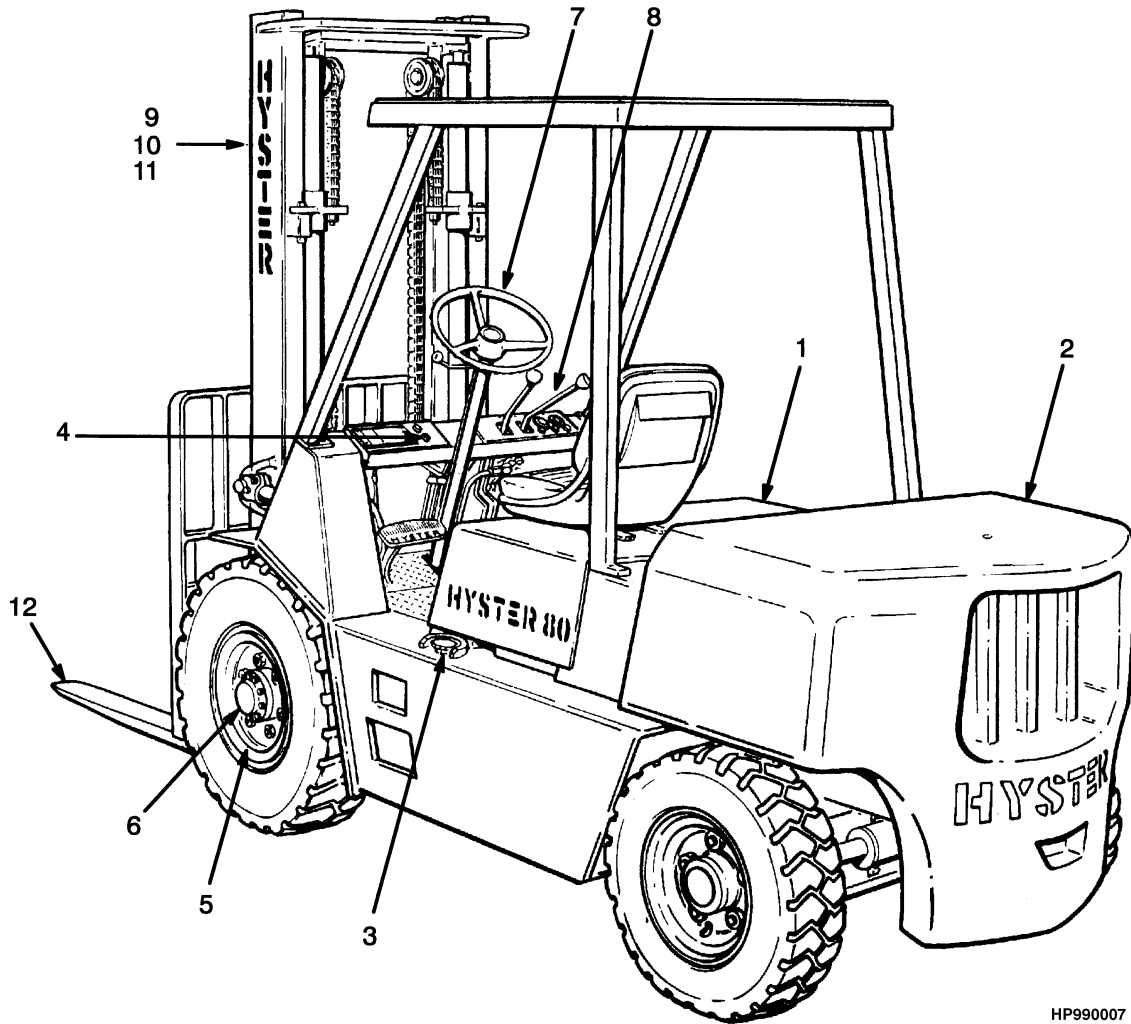
<b>DESCRIPTION</b>	<b>PAGE</b>
<b>W</b>	
WATER PUMP AND OUTLET	
DIESEL .....	2-52
WATER SEPARATOR	
TIER II	
DIESEL.....	3-22
WIPER AND FAN .....	11-8
WIRE HARNESS	
ENGINE	
DIESEL.....	4-46
ENGINE, LPG, GM 4.3L	
SHEET 1 OF 2 .....	4-48
SHEET 2 OF 2 .....	4-50
INTERFACE.....	4-44
LPG REGULATOR	
GM 4.3L.....	4-52
MAIN	
DIESEL	
PENDING PER ECN 101124⇒.....	4-28
⇒PENDING PER ECN 101124.....	4-26
LPG	
PENDING PER ECN 101124⇒.....	4-36
⇒PENDING PER ECN 101124.....	4-32
NEUTRAL START FORWARD/REVERSE LEVER	
LPG .....	4-42
NEUTRAL START MONOTROL PEDAL	
LPG .....	4-40
OPERATOR PRESENCE SYSTEM	
PENDING PER ECN 74953⇒ .....	4-54



**SECTION 1  
FRAME**

<b>DESCRIPTION</b>	<b>PAGE</b>
COUNTERWEIGHT .....	1-22
COWL AND FLOOR PLATES .....	1-16
FORKS	
PIN TYPE.....	1-26
FULL SUSPENSION SEAT	
PENDING PER ECN 74953⇒.....	1-12
SHEET 1 OF 2	
⇒PENDING PER ECN 74953 .....	1-8
SHEET 2 OF 2	
⇒PENDING PER ECN 74953 .....	1-10
GENERAL TRUCK .....	1-2
HOOD.....	1-14
LABELS.....	1-18
LOAD BACKREST EXTENSION.....	1-24
NON-SUSPENSION SEAT	
PENDING PER ECN 74953⇒.....	1-6
⇒PENDING PER ECN 74953.....	1-4
OVERHEAD GUARD.....	1-20

## GENERAL TRUCK (Figure 1-1)



HP990007

**GENERAL TRUCK**

ITEM	PART NO.	DESCRIPTION	QTY
1	.....	Counterweight (☞ Figure 1-11) .....	1
2	.....	Engine Assembly (☞ Figure 2-10) .....	1
3	.....	Fuel Assembly (☞ Figure 3-4) .....	1
4	.....	Electrical System (☞ Figure 4-1) .....	1
5	.....	Transmission (☞ Figure 5-1) .....	1
6	.....	Brake System (☞ Figure 7-1) .....	1
7	.....	Steering System (☞ Figure 6-1) .....	1
8	.....	Hydraulic System (☞ Figure 8-1) .....	1
9	.....	Mast-Two Stage Limited Free-Lift (☞ Figure 9-1) .....	1
10	.....	Mast-Three Stage Full Free-Lift (☞ Figure 10-1) .....	1
11	.....	Optional Equipment (☞ Figure 11-1) .....	1
12	.....	Fork (☞ Figure 1-13) .....	1



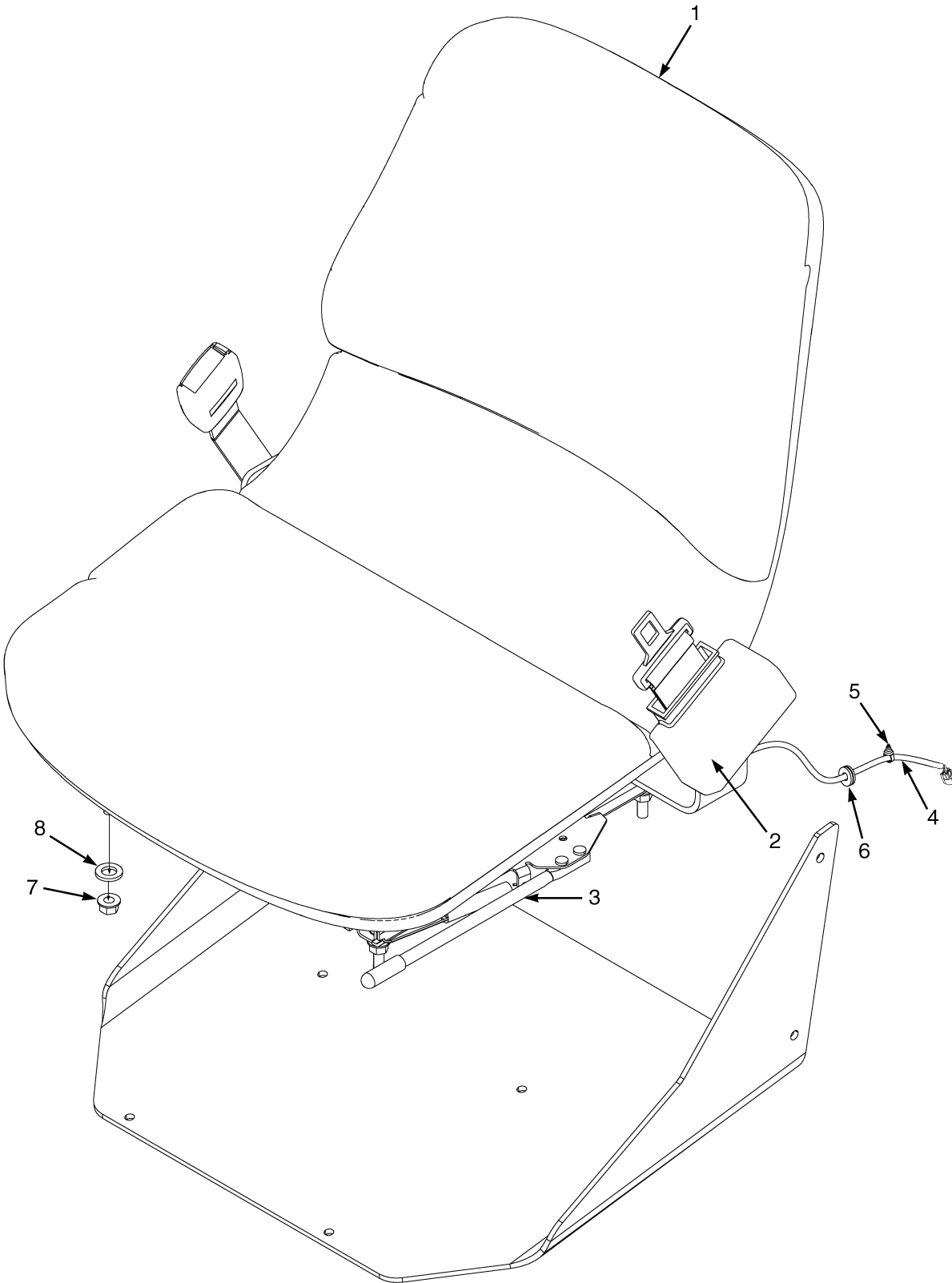
**NON-SUSPENSION SEAT**  
**(⇒PENDING PER ECN 74953)**

ITEM	PART NO.	DESCRIPTION	QTY
1	377901	Seat (Vinyl) .....	1
1	364911	Seat .....	1
2	335988	Base (Information Case) .....	1
3	335991	Cover (Information Case) .....	1
4	222029	Rivet .....	4
5	221733	Washer .....	2
6	364914	Capscrew .....	4
7	335553	Seat Rail .....	1
8	204114	Spacer .....	4
9	16836	Capscrew .....	4
10	145639	Nut .....	4
11	287854	Capscrew .....	4
12	385085	Spacer .....	2
13	292682	Lockwasher .....	4
14	136692	Nut .....	4
15	379199	Capscrew .....	2
16	379697	Washer .....	2
17	1374750	Seat Belt .....	1
18	379697	Washer .....	4
19	379698	Nut .....	4
20	364807	Hip Restraint (RH) .....	1
21	18515	Washer .....	4
22	18727	Capscrew .....	4
23	1300107	Rod .....	1
24	364854	Plug .....	2
25	364808	Hip Restraint (LH) .....	1
26	379197	Capscrew .....	2
27	379198	Washer .....	2
28	<b>ac</b> 1479677	Seat Pan .....	1
28	<b>ad</b> 1607247	Seat Pan .....	1
28	<b>bc</b> 1479678	Seat Pan .....	1
28	<b>bd</b> 1607246	Seat Pan .....	1
29	383116	Seat Rail .....	1
30	204114	Spacer .....	4

**FOOTNOTES:**

- a** With Cab
- b** Without Cab
- c** ⇒ PENDING PER ECN 74953
- d** PENDING PER ECN 74953 ⇒

## NON-SUSPENSION SEAT (Figure 1-3) (PENDING PER ECN 74953⇒)



BP120182

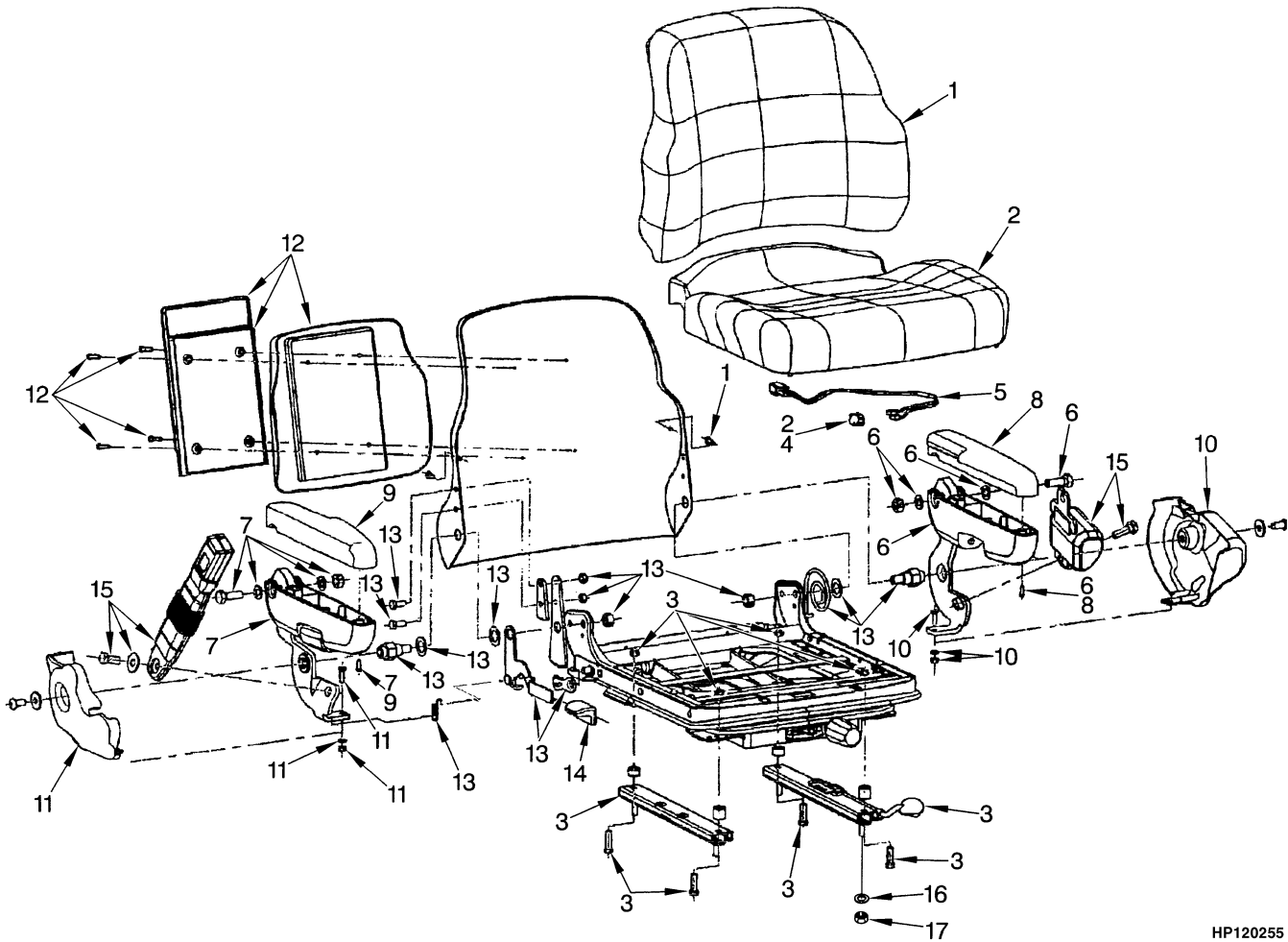
**NON-SUSPENSION SEAT  
(PENDING PER ECN 74953⇒)**

ITEM	PART NO.	DESCRIPTION	QTY
	1593409	Non-Suspension Seat (Vinyl).....	1
1	1563351	Cushions (Vinyl) .....	1
	<b>a</b> 1563215	Sensor (Operator Presence) .....	1
2	1598504	Seat Belt Kit.....	1
3	1459173	Slide Kit .....	1
4	2075429	Wire Harness .....	1
5	1509890	Clip .....	1
6	1561015	Grommet.....	2
7	15175	Washer .....	4
8	145639	Nut .....	4
9	1607246	Seat Pan (With Overhead Guard).....	1
9	1607247	Seat Pan (With Cab).....	1
10	287854	Capscrew.....	4
11	292682	Lockwasher.....	4
12	136692	Nut .....	4

**FOOTNOTES:**

**a** Not Illustrated

## FULL SUSPENSION SEAT (Figure 1-4) SHEET 1 OF 2 (⇒PENDING PER ECN 74953)



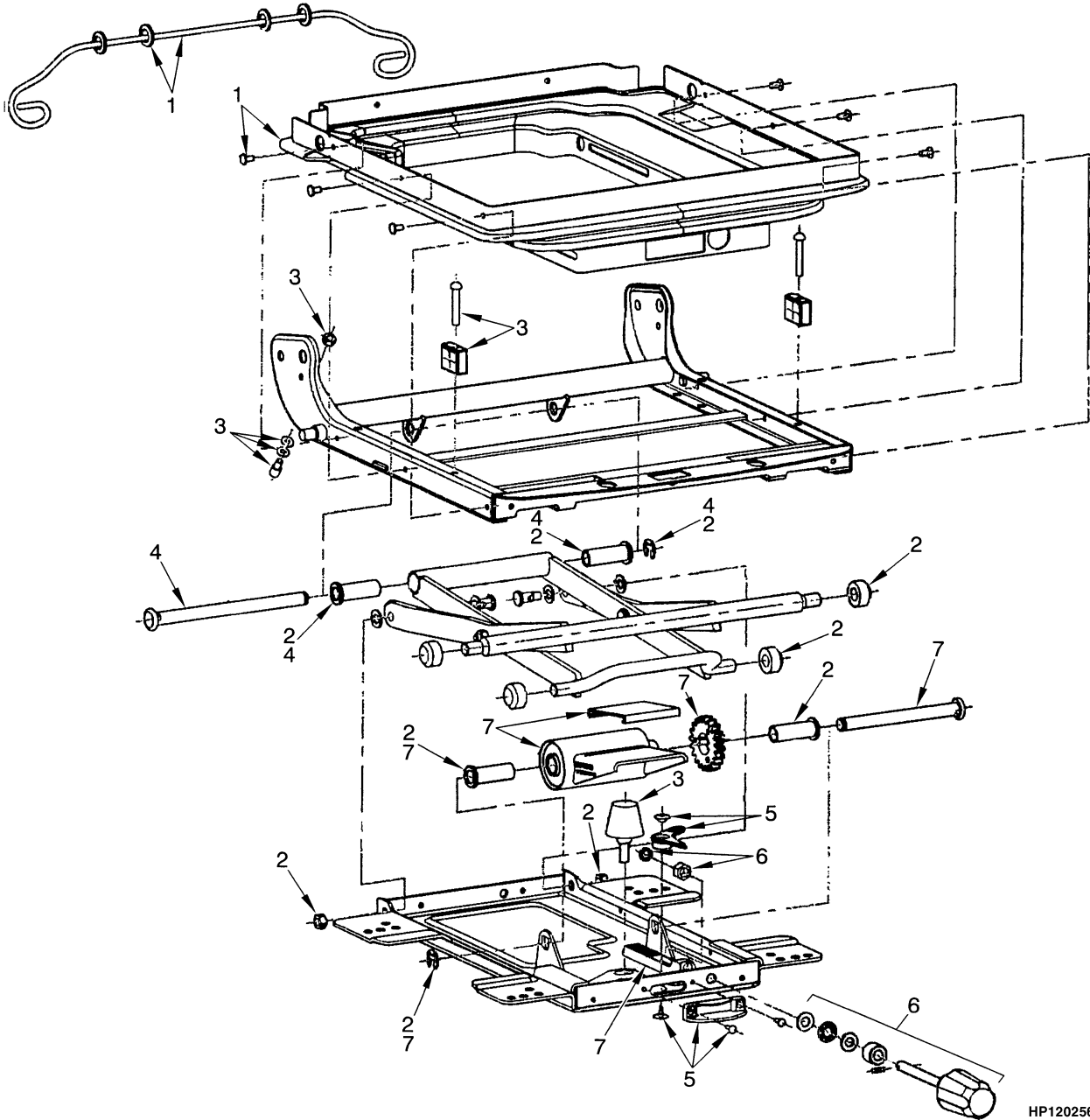
HP120255



**FULL SUSPENSION SEAT  
SHEET 1 OF 2  
(=>PENDING PER ECN 74953)**

ITEM	PART NO.	DESCRIPTION	QTY
	1466006	Full Suspension Seat (Vinyl Cover) .....	1
	1466007	Full Suspension Seat (Fabric Cover) .....	1
1	1467533	Back Cushion (Vinyl) .....	1
1	1467535	Back Cushion (Fabric) .....	1
2	1494076	Seat Cushion (Vinyl).....	1
2	1467536	Seat Cushion (Fabric) .....	1
3	1467513	Slider Kit .....	1
4	1467514	Switch (Seat) .....	1
5	1467515	Wire Harness .....	1
6	1467516	Armrest (LH) (LH).....	1
7	1467517	Armrest (RH) (RH) .....	1
8	1467518	Cap (LH).....	1
9	1467519	Cap (RH) .....	1
10	1467520	Cover (LH) .....	1
11	1467521	Cover (RH) .....	1
12	1467522	Holder Kit.....	1
13	1467530	Recliner Kit.....	1
14	1467531	Recliner Knob.....	1
15	1467532	Seat Belt Kit.....	1
16	15175	Washer .....	4
17	145639	Nut.....	4

## FULL SUSPENSION SEAT (Figure 1-5) SHEET 2 OF 2 (⇒PENDING PER ECN 74953)

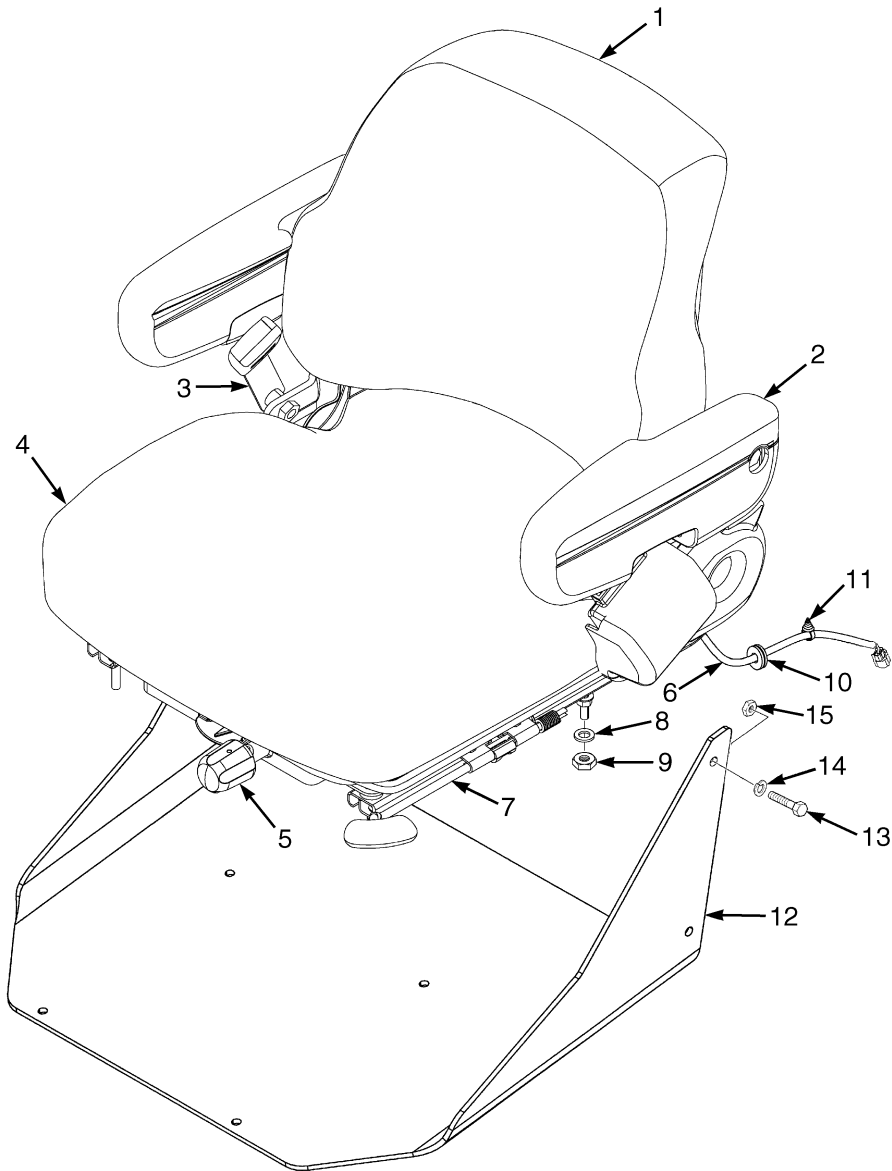


HP120256

**FULL SUSPENSION SEAT  
SHEET 2 OF 2  
(⇒PENDING PER ECN 74953)**

ITEM	PART NO.	DESCRIPTION	QTY
	1466006	Full Suspension Seat (Vinyl Cover) .....	1
	1466007	Full Suspension Seat (Fabric Cover) .....	1
1	1467523	Boot Kit.....	1
2	1467524	Roller and Bearing Kit .....	1
3	1467525	Bumper and Stop Kit .....	1
4	1467526	Bearing Shaft Kit .....	1
5	1467527	Weight Adjuster Indicator Kit .....	1
6	1467528	Knob Kit.....	1
7	1467529	Suspension Spring Kit.....	1

## FULL SUSPENSION SEAT (Figure 1-6) (PENDING PER ECN 74953⇒)



BP120184

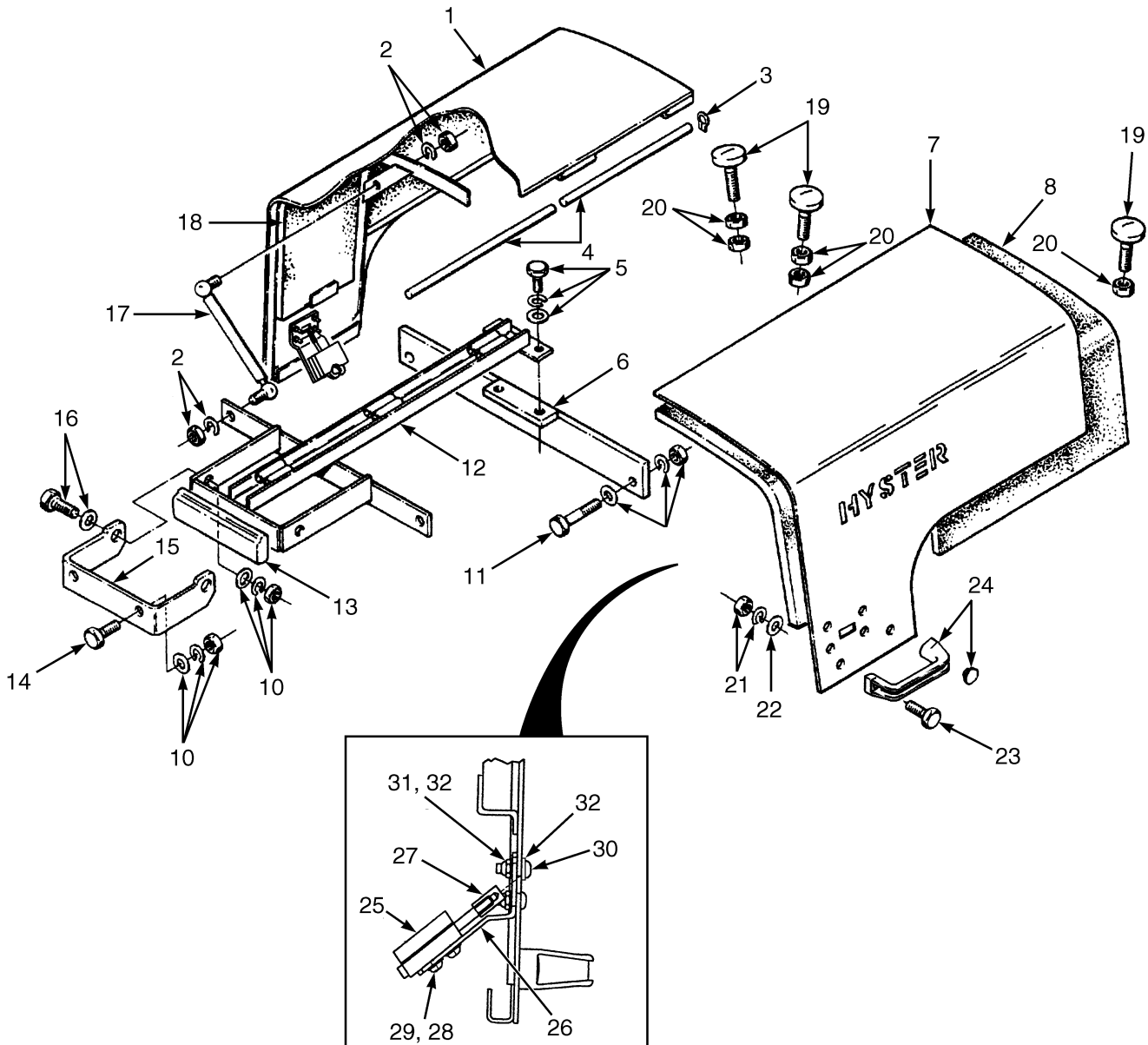
**FULL SUSPENSION SEAT  
(PENDING PER ECN 74953⇒)**

ITEM	PART NO.	DESCRIPTION	QTY
	1593413	Full Suspension Seat (Vinyl).....	1
1	1470152	Back Cushion (Vinyl) (Vinyl).....	1
2	1563230	Arm Cushion (LH) .....	1
2	1563231	Arm Cushion (RH).....	1
3	1598504	Seat Belt Kit.....	1
4	1563207	Seat Cushion (Vinyl).....	1
	<b>a</b> 1563208	Sensor (Operator Presence) .....	1
5	1470163	Weight Adjuster Kit.....	1
6	2075429	Wire Harness .....	1
7	1470161	Slide Kit .....	1
	<b>a</b> 1483828	Shock Kit .....	1
8	15175	Washer .....	4
9	145639	Nut .....	4
10	1561015	Grommet.....	2
11	1509890	Clip .....	1
12	1607247	Seat Pan (With Cab).....	1
12	1607246	Seat Pan (With Overhead Guard).....	1
13	287854	Capscrew.....	4
14	292682	Lockwasher.....	4
15	136692	Nut .....	4

**FOOTNOTES:**

**a** Not Illustrated

## HOOD (Figure 1-7)

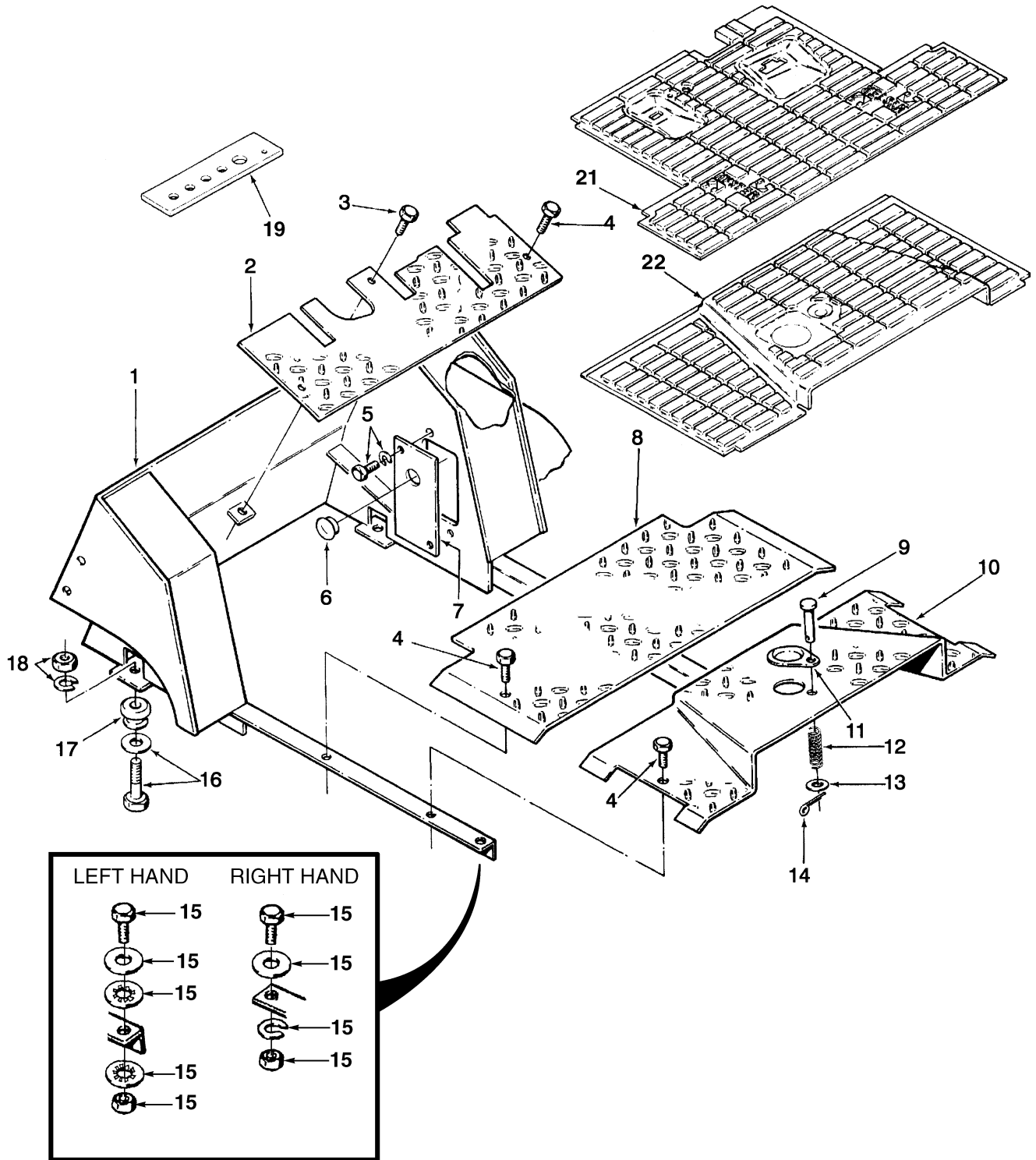


HP120271

**HOOD**

ITEM	PART NO.	DESCRIPTION	QTY
1	1392568	Hood (RH) .....	1
2	1569425	Nut .....	4
2	292681	Lockwasher.....	4
3	367228	Ring .....	4
4	367227	Pin .....	2
5	136985	Capscrew.....	2
5	292682	Lockwasher.....	2
5	296421	Washer .....	2
6	367233	Crossmember .....	1
7	1392566	Hood (LH) .....	1
8	377624	Liner.....	2
9	1392558	Liner (LH).....	1
10	136692	Nut .....	6
10	292682	Lockwasher.....	6
10	296421	Washer .....	6
11	292519	Capscrew.....	2
12	367235	Channel .....	1
13	261165	Tape .....	AR
14	136985	Capscrew.....	2
15	377350	Bracket.....	1
16	287860	Capscrew.....	2
16	296421	Washer .....	2
17	353021	Gas Spring.....	2
18	1392560	Liner (RH) .....	1
19	367251	Stop Screw .....	4
20	15055	Nut .....	6
21	136687	Nut .....	4
21	292680	Lockwasher.....	4
22	320156	Washer .....	4
23	292501	Capscrew.....	4
24	362030	Handle .....	2
25	1377478	Latch .....	2
26	1392570	Plate .....	2
27	1392571	Knob .....	2
28	296161	Capscrew.....	8
29	292680	Lockwasher.....	8
30	296159	Capscrew.....	8
31	316834	Nut .....	8
32	1476421	Washer .....	4

## COWL AND FLOOR PLATES (Figure 1-8)



BP120058



**COWL AND FLOOR PLATES**

ITEM	PART NO.	DESCRIPTION	QTY
1	1346710	Cowl.....	1
2	1466348	Floorplate.....	1
3	329067	Screw.....	1
4	329067	Screw.....	6
5	136681	Capscrew.....	4
5	292681	Lockwasher.....	4
6	374002	Plug .....	2
7	342980	Plate .....	2
8	357276	Floorplate.....	1
9	<b>b</b> 177590	Rod End Pin .....	1
10	<b>b</b> 357273	Floorplate.....	1
11	<b>b</b> 313815	Plate .....	1
12	<b>b</b> 137122	Spring .....	1
13	<b>b</b> 320157	Washer .....	2
14	<b>b</b> 15212	Cotter Pin.....	1
15	136692	Nut .....	2
15	136985	Capscrew.....	2
15	292682	Lockwasher (RH).....	1
15	296361	Washer (LH) .....	2
15	320159	Washer .....	2
16	292533	Capscrew.....	2
16	300939	Washer .....	2
17	129962	Mount.....	2
18	216877	Nut .....	2
18	292683	Lockwasher.....	2
19	1479752	Seal .....	1
20	370278	Seal (Not Illustrated).....	1
21	<b>a</b> 1312722	Floormat (Front).....	1
21	<b>b</b> 1312722	Floormat (Front).....	1
22	<b>a</b> 369525	Floormat (Rear) .....	1
22	<b>b</b> 374004	Floormat (Rear) .....	1

**FOOTNOTES:**

- a** With Cab  
**b** Without Cab

Thank you so much for reading.  
Please click the “Buy Now!”  
button below to download the  
complete manual.



After you pay.

You can download the most  
perfect and complete manual in  
the world immediately.

Our support email:

[ebooklibonline@outlook.com](mailto:ebooklibonline@outlook.com)