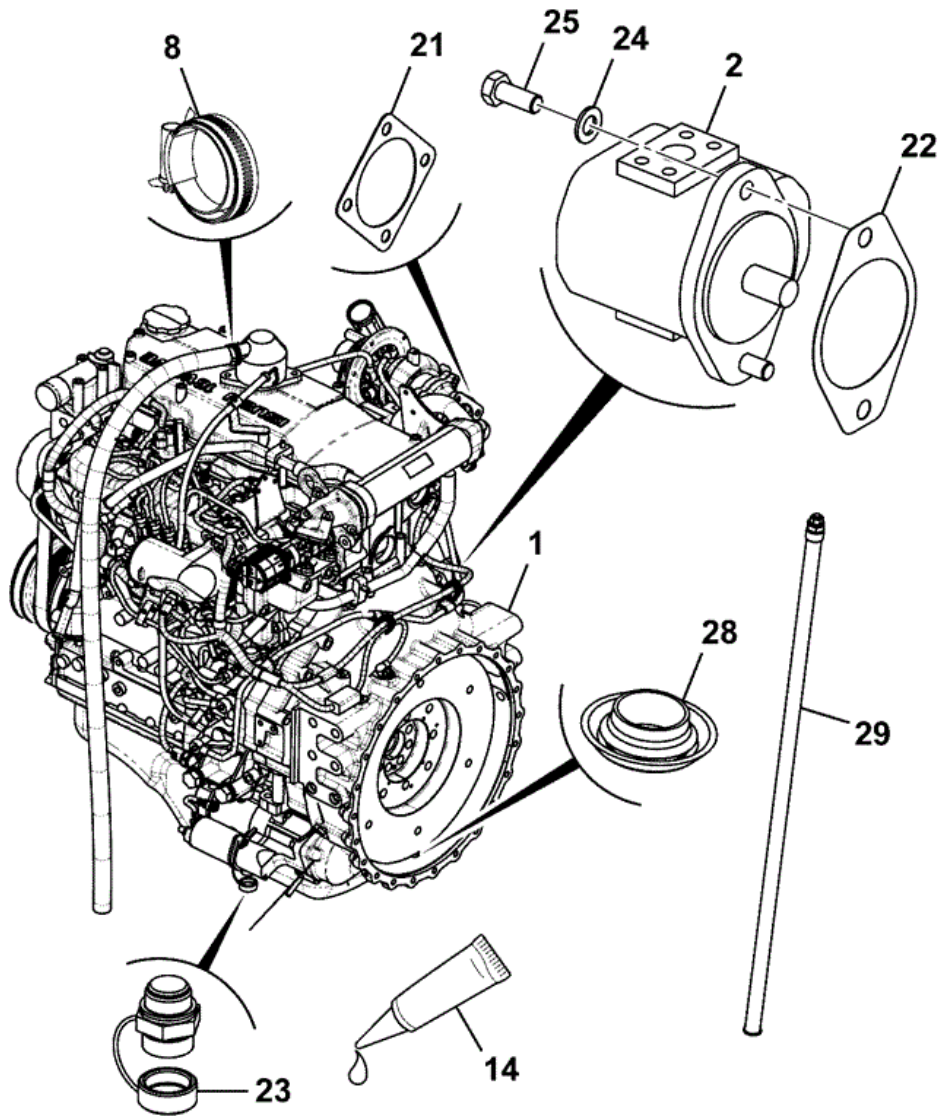




9802/5600 W1-1-3 ENGINE, COMPLETE 4HK1XYSJ-01 T3



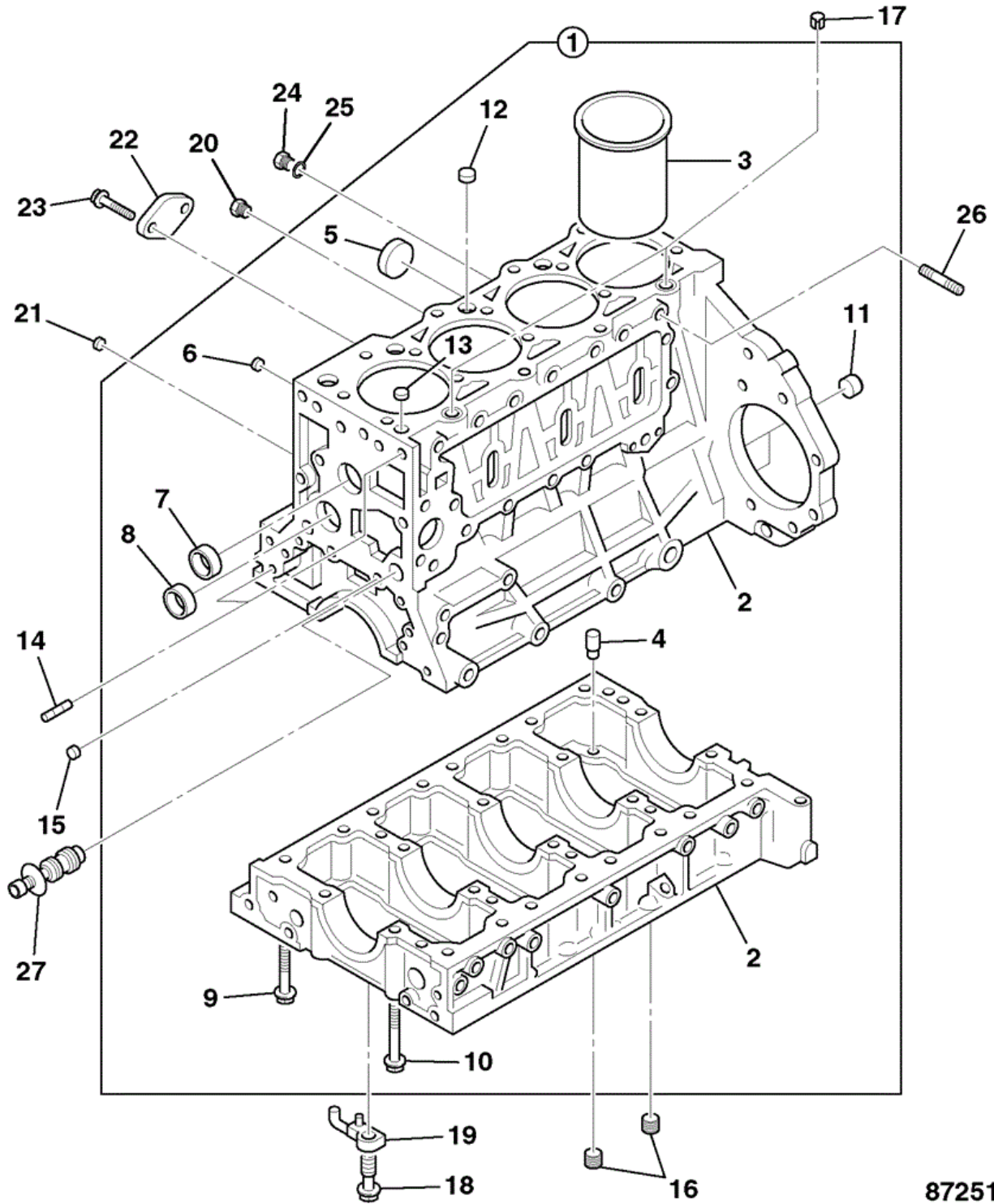
215-12026-12

Item	Part #	Change No	Description	Usage Code	QTY
1	333/J5194		Engine assembly Isuzu 4HK1X		1
2	20/925826		Pump Fan Drive		1
8	2201/0007		Clip Wormdrive		1

14	4101/0500		Fluid Locking Loctite 262		0
21	01/180060		Gasket turbo to exhaust		1
22	01/180061		Gasket PTO to flange		1
23	32/925429		Valve oil drain M24X2 - M26X1.5 HOSE		1
24	JHP0047		Washer plain		2
25	1316/3609D		Bolt M14 x 35mm		2
28	333/K8331		Plug Blanking 15mm		1
29	340/00184		Hose oil drain & keeper M26 X 1.5 & M12		1



9802/5600 W1-3-1 BLOCK ASSEMBLY



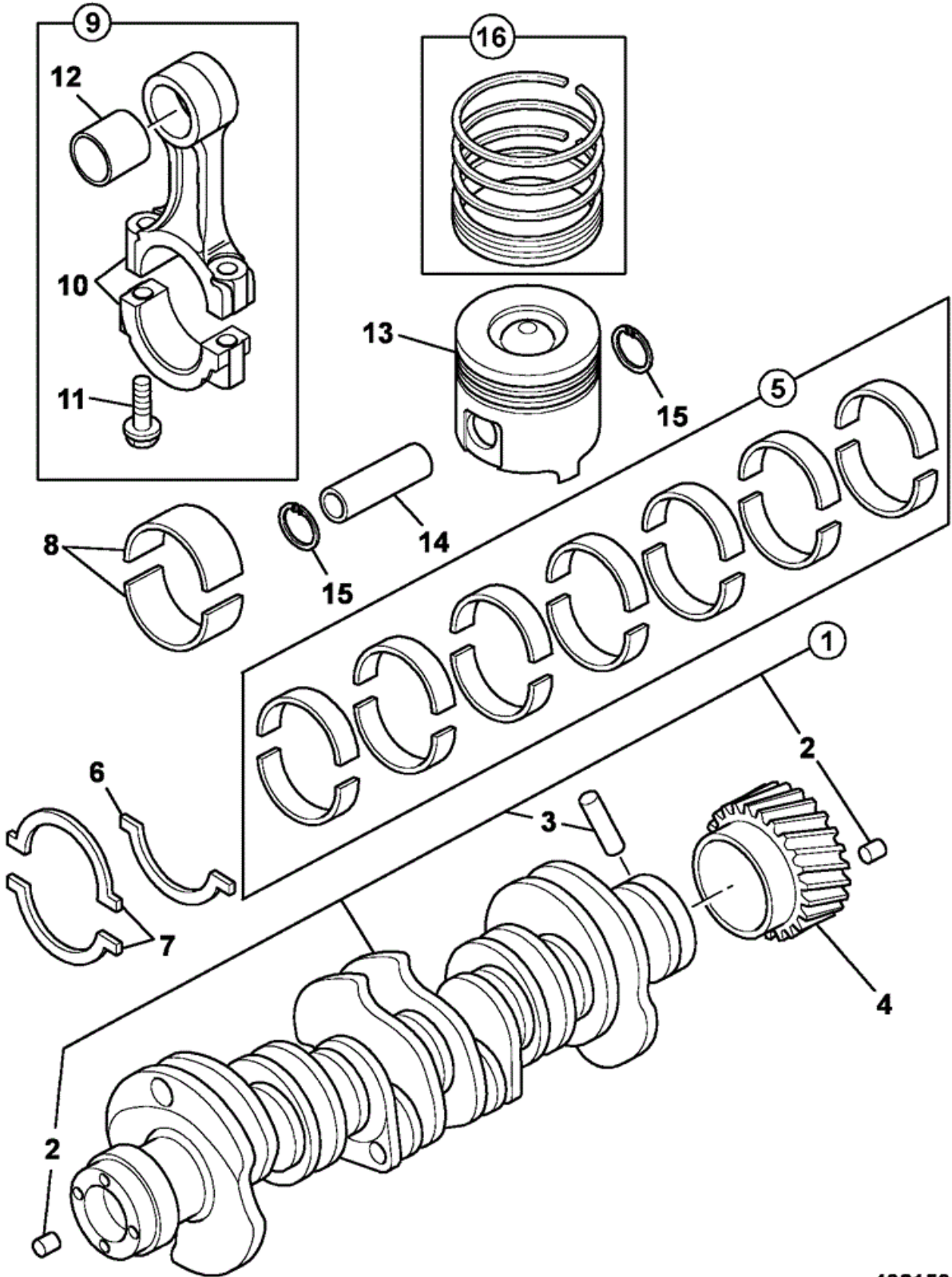
872510

Item	Part #	Change No	Description	Usage Code	QTY
1	02/802676		Block cylinder		1
2	****		None serviced part		1
			Liner cylinder grade 1X		

3	:02/801806		<i>Existing liners grade stamped on outside of liner 1X</i>	4
3	:02/801001		Liner cylinder grade 3X <i>Existing liners grade stamped on outside of liner 3X</i>	4
4	:02/801812		Pin	2
5	:02/801711		Plug D=45	3
6	:1096000160		Plug D=25	1
7	:1096000160		Plug D=25	1
8	:02/801808		Plug	4
9	:02/801811		Bolt M10x82	11
10	:02/802069		Bolt	17
11	:02/801809		Bush oil,drive shaft	2
12	:02/800879		Plug O/D = 22mm	3
13	:5111290060		Plug sealing, D=16	1
14	02/800993		Pin	4
15	9111291280		Plug sealing, D=20	3
16	5096050050		Plug PT 3/8"	2
17	02/800997		Pin set cylinder head	2
18	1131610120		Valve check, assembly	4
19	02/801003		Jet piston cooling	4
20	02/802071		Plug	2
21	5096000130		Plug D=12	1
22	02/801849		Plate cover	1
23	0280808140		Bolt flange head M8 x 14	2
24	02/802066		Plug drain	1
25	02/802072		Gasket	1
26	02/802190		Stud	3
27	02/802189		Valve	1



9802/5600 W1-4-1 CRANKSHAFT, BEARINGS PISTONS & CON-RODS



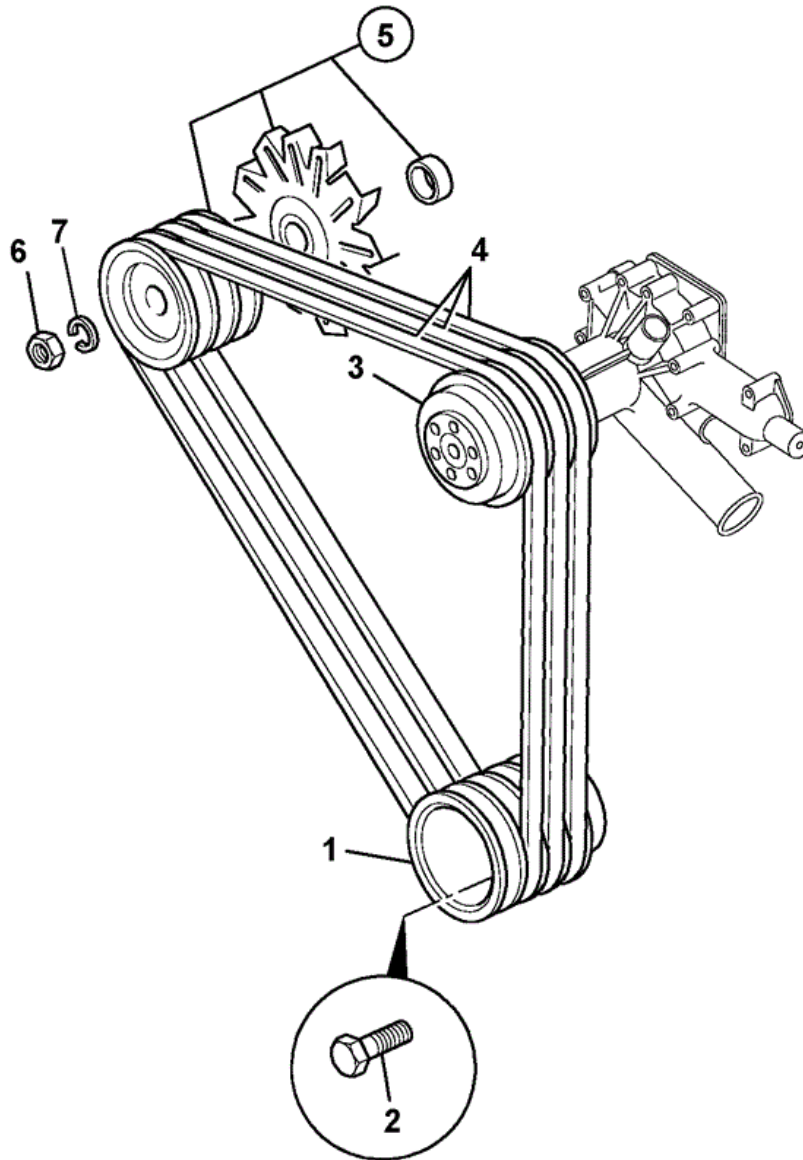
402150

Item	Part #	Change No	Description	Usage Code	QTY
1	02/802305		Crankshaft assembly		1
2	:02/802315		Pin		1
3	:9098786260		Pin 50Dx6		1
4	02/801838		Gear crankshaft		1
5	02/801732		Kit-main bearing BLUE		5

5	02/801733		Kit-main bearing BLACK	5
5	02/801734		Kit-main bearing BROWN (2 shells)	5
6	02/801154		Washer thrust	1
7	02/801155		Washer thrust	2
8	02/801842		Bearing big-end green <i>Please raise techweb call for correct replacement</i>	4
8	02/802677		Bearing big-end yellow <i>Please raise techweb call for correct replacement</i>	4
9	02/801844		Rod connecting <i>Please raise techweb call for correct replacement</i>	4
10	****		None serviced part	0
11	02/801158		Bolt con-rod	8
12	02/801845		Bush small end	4
13	02/802303		Piston	4
14	02/801164		Pin gudgeon	4
15	02/801163		Ring snap	8
16	02/801841		Kit-piston ring	4



9802/5600 W1-5-1 PULLEYS & FAN BELT

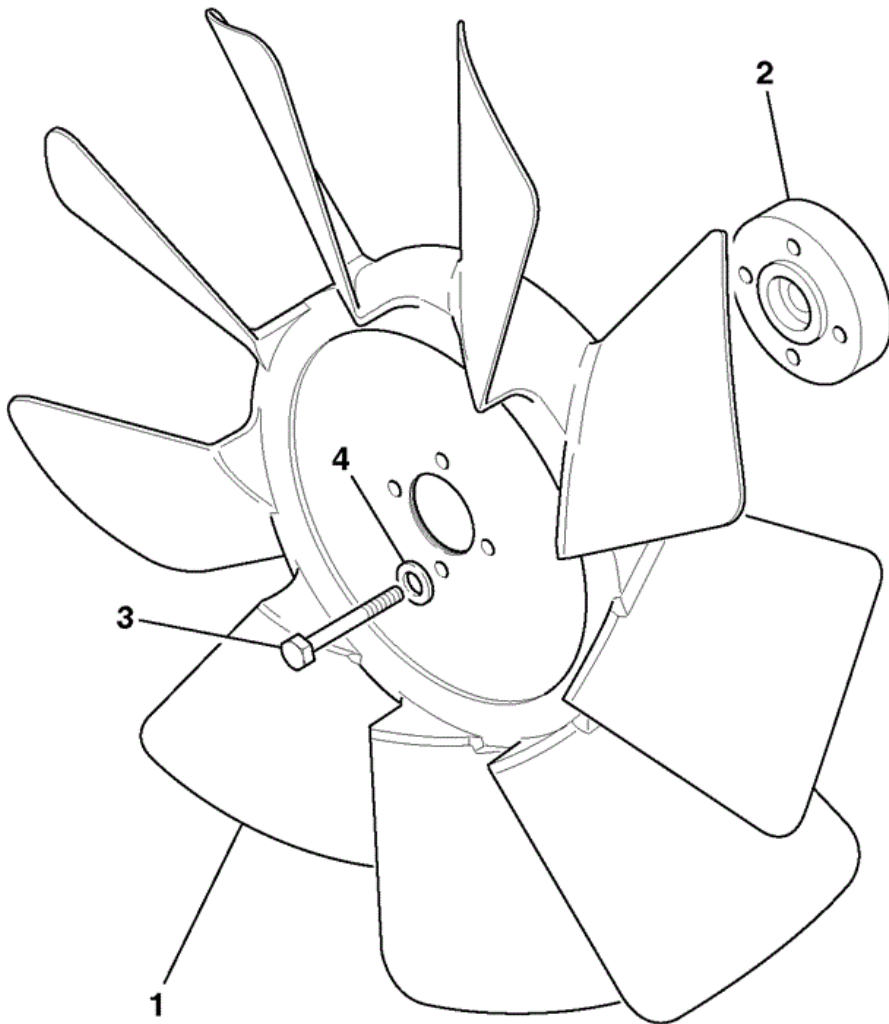


874641

Item	Part #	Change No	Description	Usage Code	QTY
1	02/802230		Pulley crankshaft		1
2	02/802192		Bolt crankshaft pulley		4
3	02/802309		Pulley water pump		1

4	02/802236		Belt fan		1
5	02/802340		Pulley alternator		1
6	1812294740		Nut		1
7	1812294790		Washer spring		1

JCB 9802/5600 W1-5-2 FAN, COOLING



870460

Item	Part #	Change No	Description	Usage Code	QTY
1	30/925628		Fan Cooling		1
2	913/10380		Coupling fan drive		1
3	1316/0405D		Screw M10 x 20		4

4

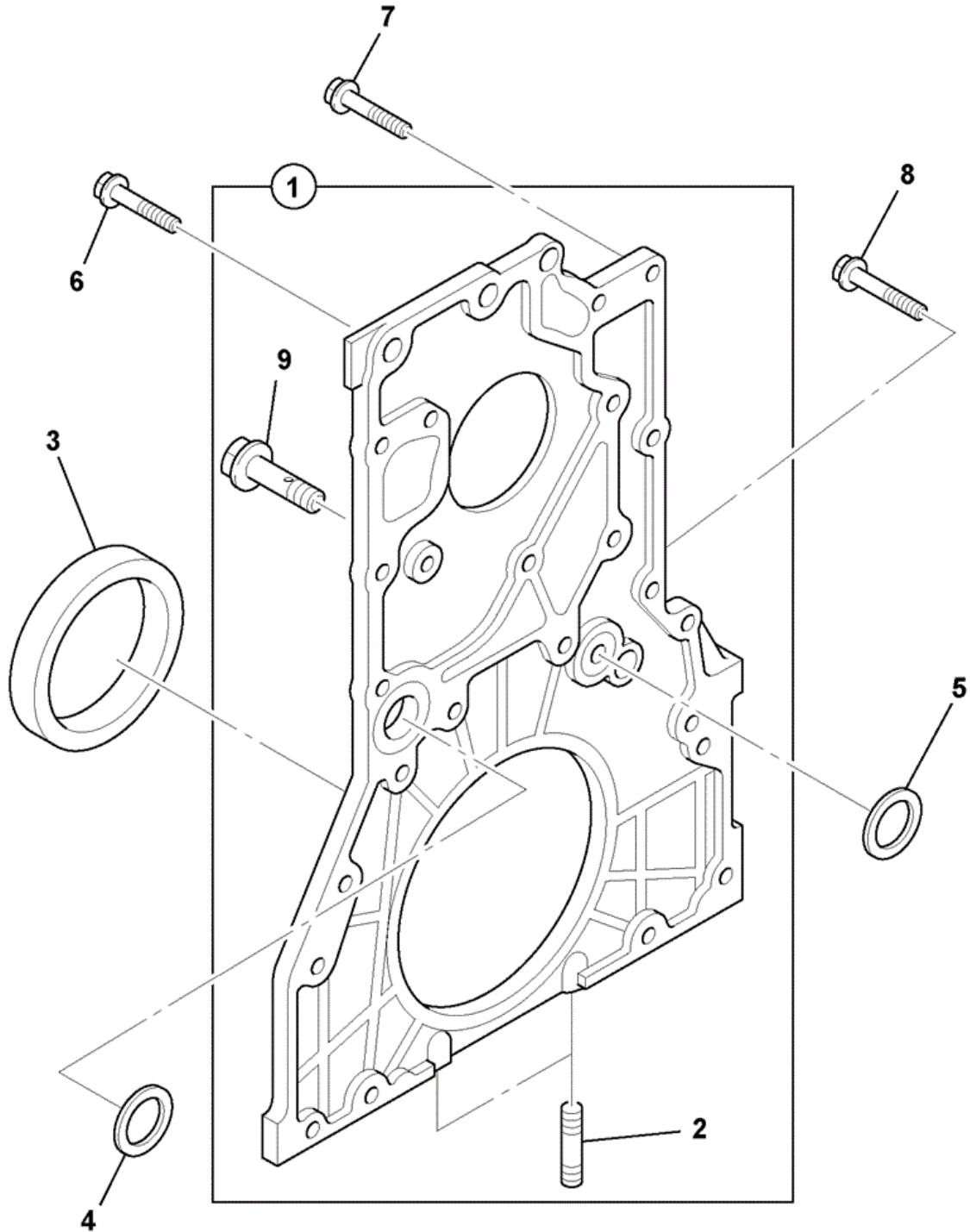
1420/0008D

Washer (M10)

4



9802/5600 W1-6-1 TIMING CASE & FRONT COVER



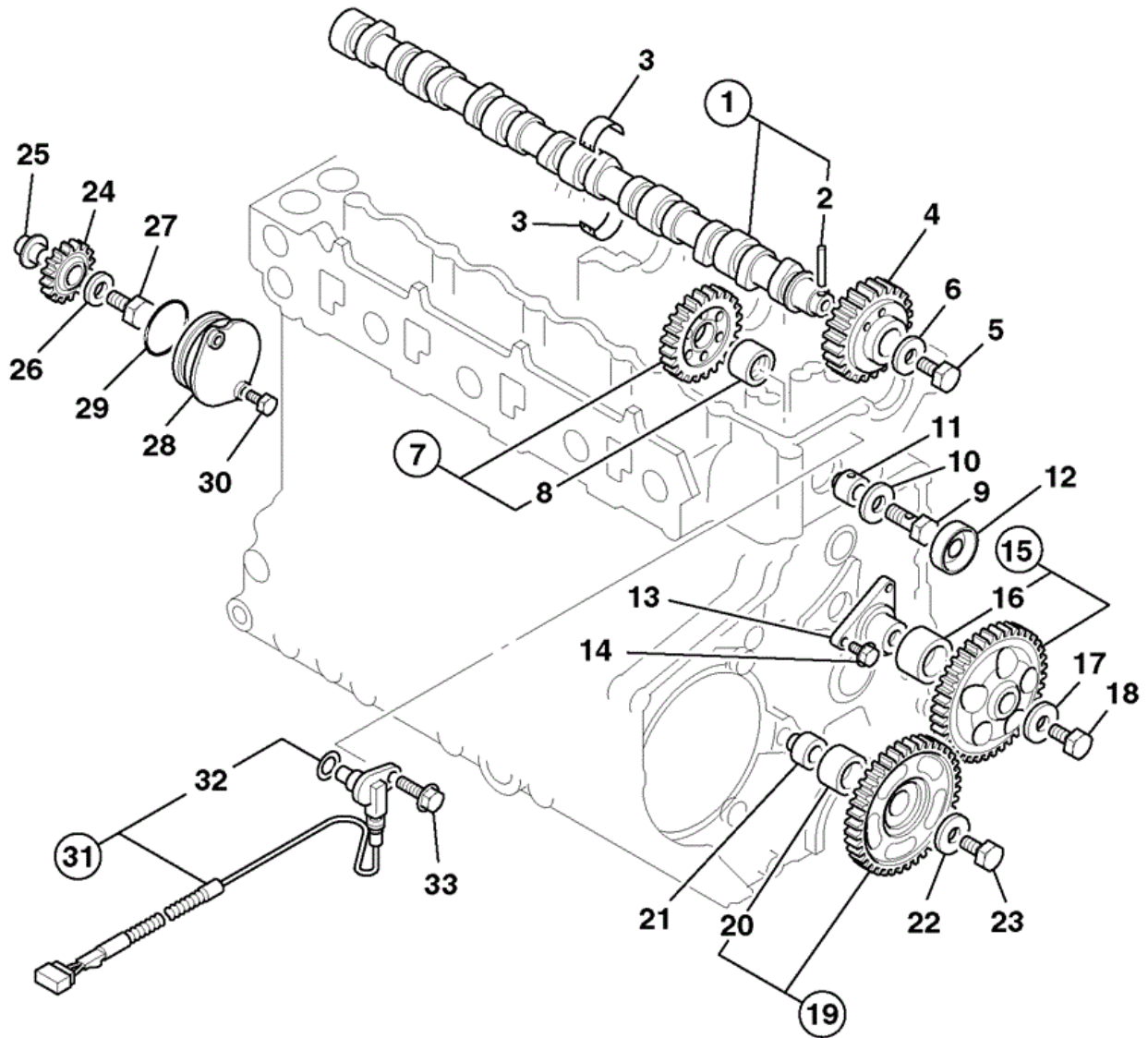
870621

Item	Part #	Change No	Description	Usage Code	QTY
1	02/802235		Cover timing case		1
2	:02/802608		Stud		2
3	02/802276		Seal oil front		1

4	02/801082		Gasket gear case to cylinder block		1
5	02/802318		Gasket		1
6	02/802127		Bolt		1
7	02/802394		Bolt cyl. head		14
8	02/801602		Bolt L=55		3
9	02/802067		Valve		1



9802/5600 W1-6-2 CAMSHAFT & TIMING GEARS



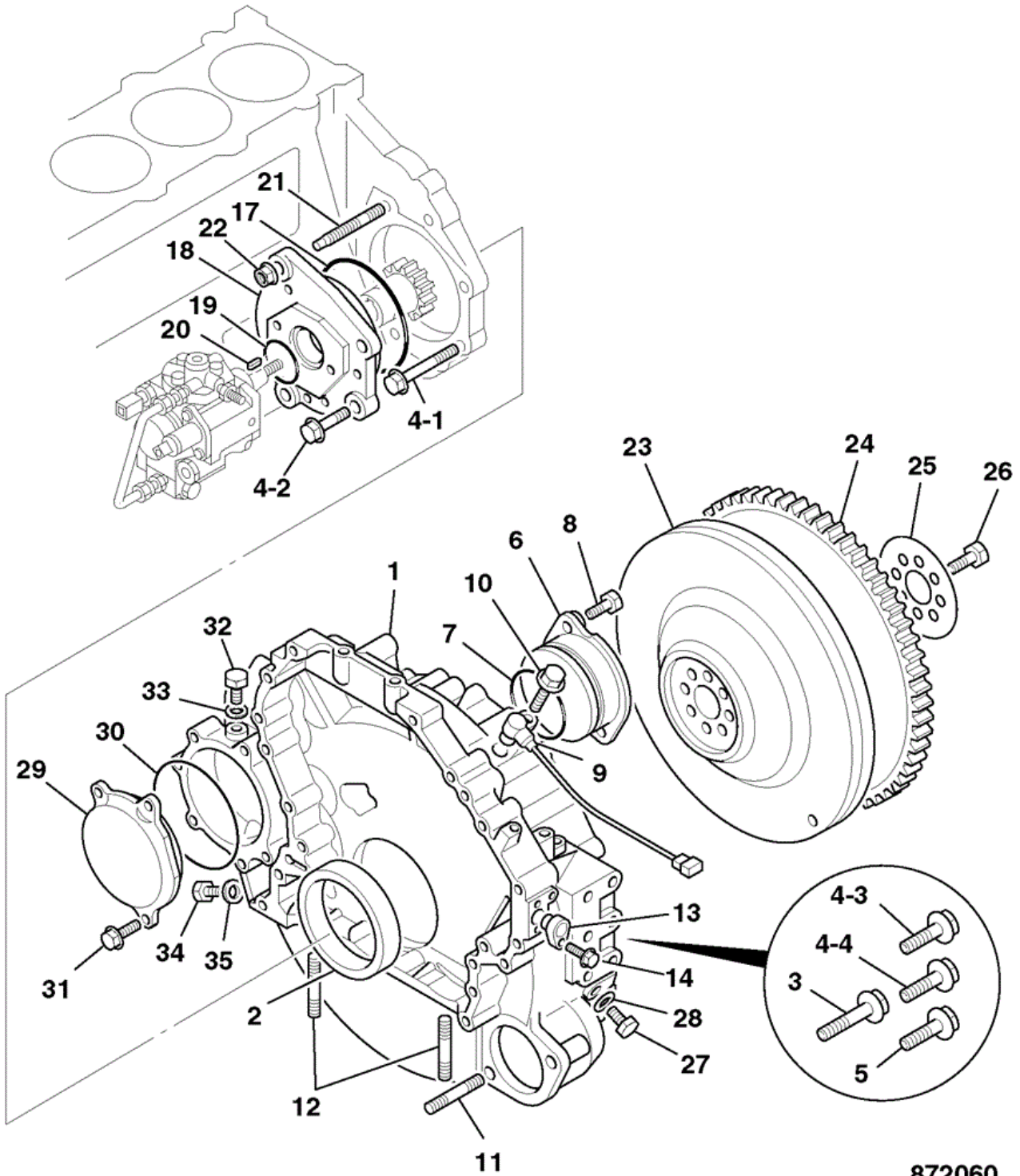
872050

Item	Part #	Change No	Description	Usage Code	QTY
1	02/802081		Camshaft		1
2	:02/801212		Pin set		1
			Bearing		

3	02/801825		<i>upper & lower</i>		10
4	02/802082		Gear camshaft		1
5	02/801208		Bolt camshaft gear		1
6	02/800009		Washer cam		1
7	02/802094		Gear		1
8	:02/802099		Bush		1
9	02/802087		Bolt idler gear		1
10	02/801833		Collar thrust		1
11	02/801799		Shaft idle gear		1
12	02/802089		Cover idler gear		1
13	02/801981		Shaft idler	A	1
14	02/802088		Bolt		3
15	02/801943		Gear idler	A	1
16	:02/802098		Bush		1
17	02/801833		Collar thrust		1
18	02/801215		Bolt idler gear		1
19	02/802093		Gear idler (B)	B	1
20	:02/802097		Bush		1
21	02/802091		Shaft idler	B	1
22	02/801833		Collar thrust		1
23	02/802095		Bolt thrust collar		1
24	02/801947		Gear idler	C	1
25	02/802012		Shaft idler gear	C	1
26	02/802092		Collar thrust		1
27	02/802090		Bolt idler gear shaft		1
28	02/801790		Cover idler gear		1
29	02/801069		O Ring		1
30	02/802418		Bolt M8X16		2
31	716/30312		Sensor camshaft angle		1
32	:02/802285		Gasket		1
33	02/802536		Bolt M6x12		1



9802/5600 W1-7-1 FLYWHEEL & HOUSING



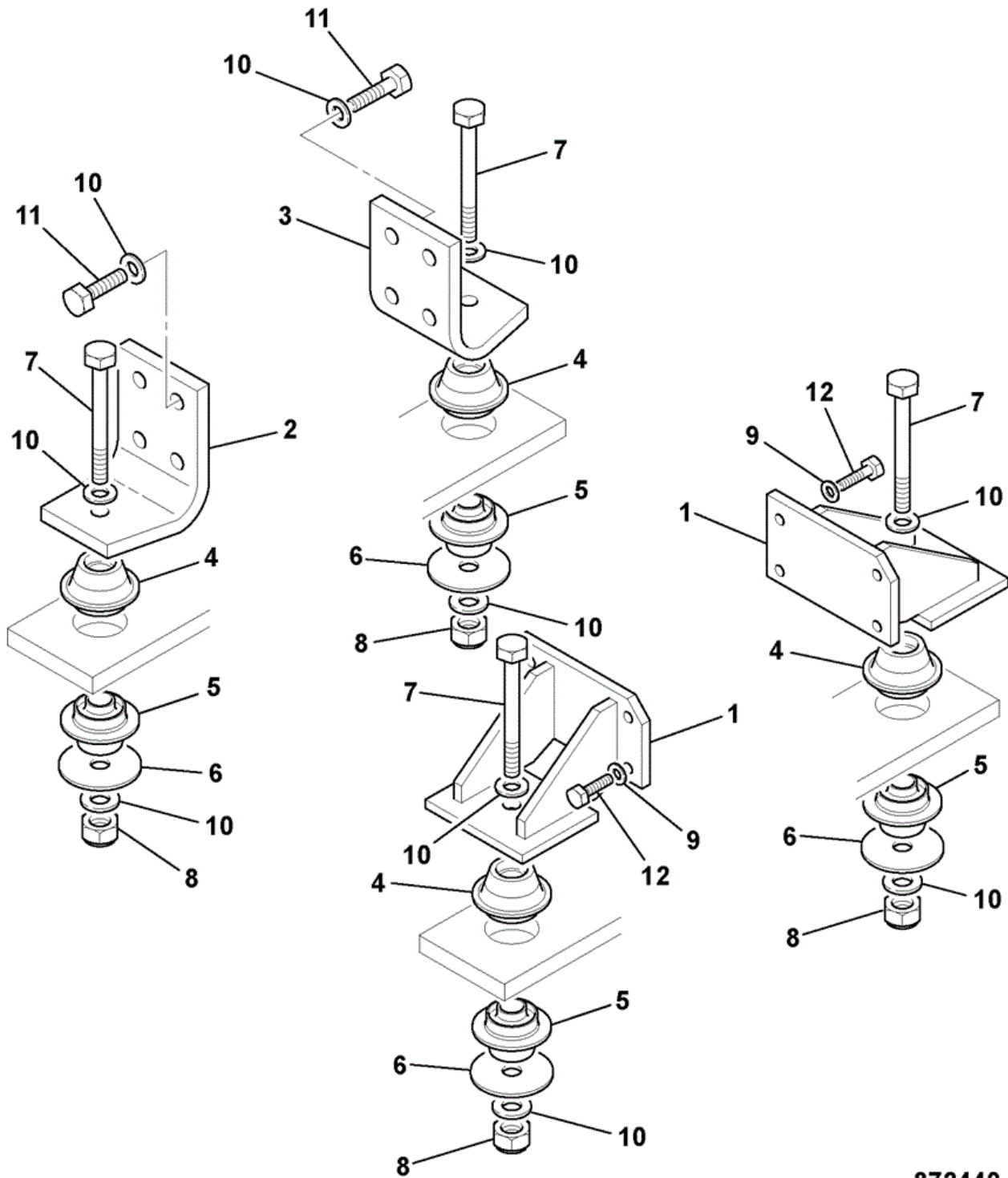
872060

Item	Part #	Change No	Description	Usage Code	QTY
1	02/802312		Housing flywheel		1
2	02/802207		Seal oil rear		1
3	02/802135		Bolt		2

4-1	02/802128		Bolt	1
4-2	02/802671		Bolt	1
4-3	02/802199		Bolt	11
4-4	02/802200		Bolt	1
5	02/802144		Bolt	1
6	02/801790		Cover idler gear <i>See also W1-6-2</i>	1
7	02/801069		O Ring <i>See also W1-6-2</i>	1
8	02/802418		Bolt M8X16 <i>See also W1-6-2</i>	2
9	716/30301		Sensor crankshaft angle	1
10	02/802536		Bolt M6x12	1
11	02/802149		Stud	2
12	02/802068		Stud	2
13	02/801851		Cover sensor hole	1
14	02/802407		Bolt sensor M6x16	1
17	02/802193		Gasket	1
18	02/802288		Case assembly bearing inj.pump	1
19	02/802307		O Ring	1
20	02/801924		Key	1
21	02/801816		Stud water pump	2
22	02/802154		Nut	2
23	02/802231		Flywheel	1
24	:02/801726		Gear flywheel ring	1
25	02/801147		Plate clamping	1
26	02/802206		Bolt	8
27	02/802180		Plug	1
28	9095714160		Washer seal	1
29	02/801068		Cover	1
30	02/801069		O Ring	1
31	0280808140		Bolt flange head M8 x 14	1
32	9092023080		Plug	1
33	1096300840		Washer seal	1
34	9992023160		Plug drain	1
35	9095714160		Washer seal	1



9802/5600 W1-8-1 ENGINE MOUNTINGS



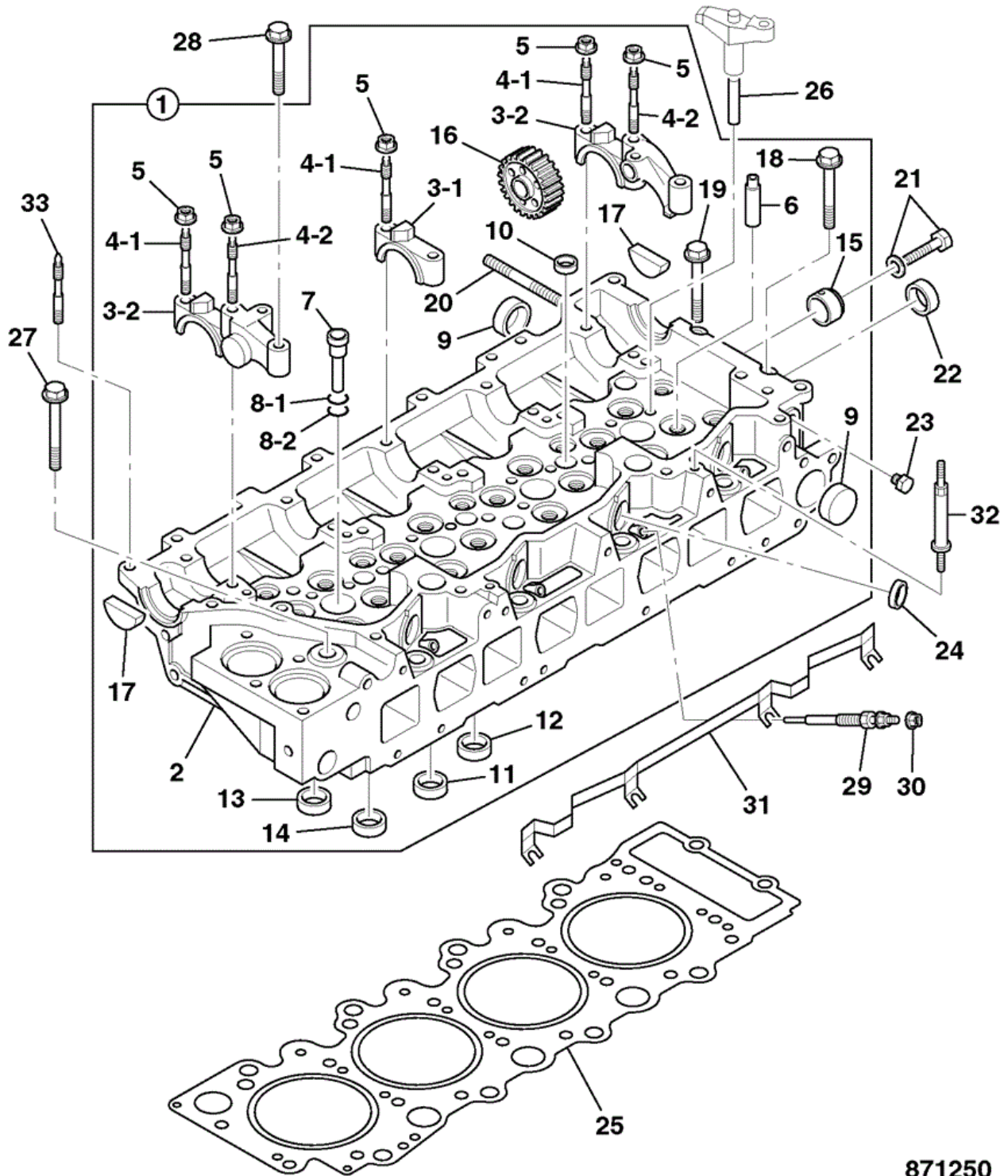
872440

Item	Part #	Change No	Description	Usage Code	QTY
1	335/09713		Bracket engine mounting front		1
2	331/52130		Bracket engine mounting rear		1
3	331/52129		Bracket engine mounting rear		1

4	KRH0780		Mounting metalastik	4
5	KRH0781		Mounting metalastik	4
6	KNH0589		Plate	4
7	1316/3724D		Bolt M16 X 140	4
8	1371/0603D		Nut M16 self locking	4
9	JHP0045		Washer	4
9	JHP0046		Washer M10 <i>Replaces JHP0045</i>	4
10	JHP0043		Washer M16	16
11	1316/0711D		Setscrew M16 x 45	8
12	1316/0407D		Screw	4



9802/5600 W2-1-1 CYLINDER HEAD



871250

Item	Part #	Change No	Description	Usage Code	QTY
1	02/802044	NLA	Head cylinder assembly <i>See items 1A,1B & 1C below</i>		1
1A	333/C8076		Head cylinder assembly		1

1B	02/802700		Seal valve stem <i>Only required with 1A if MC before July 2007 otherwise not required</i>	16
1C	02/801241		Seat spring lower <i>Only required with 1A if MC before July 2007 otherwise not required</i>	16
2	****		None serviced part	1
3-1	****		None serviced part	3
3-2	****		None serviced part	2
4	:02/801191		Stud camshaft bracket M8 x 41 L=66	8
4	:02/801192		Stud camshaft bracket M8 x 54 L=79	2
5	:02/802388		Nut cover M8	10
6	:02/801198		Guide valve	16
7	:02/801794		Sleeve nozzle holder	4
8-1	:02/801795		Seal	4
8-2	:02/801796		Seal	4
9	:02/802050		Plug D=32mm	4
10	:1096000160		Plug D=25	5
11	:9111291280		Plug sealing, D=20	5
12	:5111290060		Plug sealing, D=16	7
13	:02/801196		Insert seat inlet valve	8
14	:02/801197		Insert seat exhaust valve	8
15	****		'See Remark' <i>Camshaft & timing gears, See frame W1-6-2</i>	1
16	:02/802094		Gear	1
17	:02/801205		Plug	2
18	:02/801202		Bolt cylinder head M10 x 43	1
19	:02/801204		Bolt cylinder head M10 x 73	1
20	:02/801187		Stud M10 x 60 L=75	2
21	****		'See Remark' <i>Camshaft & timing gears, See frame W1-6-2</i>	0
22	02/802089		Cover idler gear	1
23	02/801798		Plug	1
24	02/801207		Gasket injector sleeve	4
25	02/802045		Gasket cylinder head T=1.475, no hole	1
26	02/801797		Guide bridge	8
27	02/802048		Bolt	18
28	02/802482		Bolt M8 x 35	2
29	717/20347		Thermostart	4
30	02/802060		Nut	4
31	02/802051		Connector bar	1
32	02/802062		Stud cylinder head	1
33	02/802054		Stud	2

Thank you so much for reading.
Please click the “Buy Now!”
button below to download the
complete manual.



After you pay.

You can download the most
perfect and complete manual in
the world immediately.

Our support email:

ebooklibonline@outlook.com