

**5180 E** from serial no. 551110073

**ORIGINAL  
OPERATOR'S MANUAL**

**FENDT**

# **TABLE OF CONTENTS**

- 1. General Information**
- 2. Operation**
- 3. Controls and Instruments**
- 4. Field Operations**
- 5. Lubrication and Maintenance**
- 6. Adjustments**
- 7. Systems**
- 8. Troubleshooting**
- 9. Off-Season Storage**
- 10. Optional Equipment**
- 11. Technical Specifications**
- 12. Alphabetical Index**

# CONTENTS

	Section-Page
<b>1. GENERAL INFORMATION</b>	
Customer information .....	1-1
Appropriate use .....	1-3
Combine identification .....	1-4
Ecology: information for the prevention of environmental pollution .....	1-9
Safety .....	1-10
Emergency exit .....	1-31
Safety devices .....	1-32
Noise level in the cab .....	1-40
Fire resistance inside the cab .....	1-40
Statutory regulations .....	1-40
Vibrations in the cab .....	1-41
Hydraulic systems: hoses .....	1-41
Safety requirements for hydraulic systems and components .....	1-41
Scrapping and disposal .....	1-42
Electromagnetic emissions (2004/108/EC Directive) .....	1-42
Notes for road transport .....	1-43
Weight distribution .....	1-45
<b>2. OPERATION</b>	
crop processing .....	2-1
<b>3. CONTROLS AND INSTRUMENTS</b>	
Steering column and control pedals .....	3-1
Multifunction lever .....	3-2
Front control panel .....	3-4
Rear control panel .....	3-6
Controls at the operator seat .....	3-17
Access to combine components .....	3-25
Starting the engine .....	3-28
Stopping the engine .....	3-29
Driving the combine .....	3-30
Operations to be carried out before road transport .....	3-31
Before Using the Combine .....	3-33
Towing the combine .....	3-34
<b>4. FIELD OPERATIONS</b>	
General Information .....	4-1
Starting and Stopping the Combine .....	4-2
Cutting table .....	4-3
Main Crop Elevator .....	4-6
Cylinder housing .....	4-9
Concave .....	4-10
Rear beater .....	4-15
Straw walkers .....	4-16
Main Grain Pan .....	4-17
Fanning mill .....	4-20
Top sieve .....	4-22
Bottom sieve .....	4-23
Returns .....	4-24
Grain tank .....	4-25

# CONTENTS

	Section-Page
<b>5. LUBRICATION AND MAINTENANCE</b>	
General information .....	5-1
Preliminary Service Inspection .....	5-2
Scheduled Service Inspection .....	5-3
Where and When to Carry Out Service Inspection .....	5-4
Routine Service Inspection .....	5-6
Maintenance work .....	5-8
Capacities and Specifications - FENDT 5180 E .....	5-29
Service Schedule .....	5-30
<b>6. ADJUSTMENTS</b>	
Belt and chain adjustment .....	6-1
Belts and chains (left-hand side) .....	6-2
Belts and chains (right-hand side) .....	6-9
Slip clutches .....	6-15
Tyres .....	6-16
Parking .....	6-20
Rear axle .....	6-21
<b>7. SYSTEMS</b>	
Engine .....	7-2
Hydraulics system .....	7-5
HYDROSTATIC TRANSMISSION SYSTEM .....	7-10
Electrical system .....	7-11
<b>8. TROUBLESHOOTING</b>	
Feeding .....	8-1
Threshing unit .....	8-1
Separation and cleaning .....	8-2
Hydrostatic Transmission .....	8-5
Engine .....	8-6
Auxiliary hydraulics .....	8-7
Auxiliary Electrical System .....	8-7
Straw Chopper .....	8-8
<b>9. OFF-SEASON STORAGE</b>	
<b>10. OPTIONAL EQUIPMENT</b>	
<b>11. TECHNICAL SPECIFICATIONS</b>	
Wheels and tyres .....	11-1
Tracks with runners .....	11-3
Combine Dimensions with Tyres (mm) .....	11-4
Combine Dimensions with Half-Tracks (mm) .....	11-5
Clearance between unloading auger and table .....	11-6
Available tables and weights .....	11-6
Clearance between unloading auger and ground .....	11-7
Technical specifications - 5180 E model .....	11-8
<b>12. ALPHABETICAL INDEX</b>	

# 1. GENERAL INFORMATION

## 1.1 CUSTOMER INFORMATION

### INTRODUCTION

Your new self-propelled combine is manufactured for harvesting seed and cereal crops, for threshing, separating, cleaning and conveying the grain into the tank and depositing the straw on the ground.

This Operator's Manual contains all the necessary practical information which describes the operation, adjustment and maintenance of your new machine and should be used as a practical reference guide.

The combine is designed and built to ensure optimum performance, comfort and ease of operation in a wide variety of crops and conditions.

The combine has been thoroughly inspected prior to delivery both at the factory and by your Dealer, to ensure you receive it in perfect condition.

To keep the combine in perfect condition and to ensure trouble-free performance, the periodical maintenance operations listed in this manual should be carried out at the recommended intervals.

**Before operating or driving the combine, read this Operator's Manual carefully, paying particular attention to the section on safety rules. Always keep this manual on hand for further reference.**

The terms "left" and "right" are always used with reference to the travelling direction.

Should you require further information about the machine, please do not hesitate to contact your authorised Dealer. Your Dealer provides specially trained personnel, genuine spare parts and the required tools to solve any problems that may arise.

### NOTE:

- *This combine has been designed and built in compliance with the Machine Directive 2006/42/EC. An EC Declaration of Conformity is supplied with the machine (see facsimile on page 1-8). The manufacturer disclaims all liability to any claim resulting from unauthorised modification or alteration.*
- *This manual is published for world wide distribution, and the availability of equipment shown as basic or accessory varies according to the territory in which the combine is to be used. Specifications may differ from those contained in this Operator's Manual according to the customer's requirements.*
- *In order to provide a better view, certain illustrations in this manual may show an assembly with standard guards, or the guards required by law in different countries, open or removed. **However, a machine should never be operated in this condition. For your own safety, always ensure all safety guards are fitted and closed correctly before operating the machine.***
- *This manual must always be kept in the pocket provided on the right-hand side of the operator seat for convenient reference.*

### Modifications and improvements

In accordance with the Company's policy of continuous improvements to its products, the Company reserves the right to modify and improve its products whenever necessary and to the required extent, without any obligation to apply such modifications to previously sold products.

## **1.2 APPROPRIATE USE**

5180 E combines are designed as self-propelled units with a diesel engine.

The machines are manufactured exclusively for usual agricultural purposes, i.e. for harvesting cereal, seed, rice, maize, soya, etc. by cutting or picking-up the crop, threshing and separating the grains from the ears, delivering the grains in the grain tank and unloading them into the grain wagon.

When operating the machine, make sure the cab doors are shut. The operator must remain seated with his seatbelt fastened (the operator should not drive the machine when standing).

**NOTE:** 5180 E combines are available without cabs exclusively for markets not included in the European Community.

The machines may be operated only by skilled personnel, who are thoroughly familiar with all machine functions and their operation.

Machine stability is ensured on the following inclinations, on condition that the ground is firm and the tyres offer sufficient grip:

25% (15 °) longitudinally (uphill and downhill).

30% (18 °) crosswise.

The above combine model is designed for working on level ground to ensure even distribution of the crop inside the machine. **This model HAS NOT been developed for working on hilly ground.**



**WARNING:** The combine may be transported on public roads only with an empty grain tank.



**DANGER:** Correct management of the machine, both during road transport and during field work, requires an operator to be sitting in the operator seat (the operator is not allowed to drive the machine standing).



**WARNING:** Operators should not use alcohol or drugs which can effect their alertness or coordination when operating the combine. Operators on prescription or over-the-counter drugs need a doctor's note to certify that they can operate the combine properly.

### **TABLE TYPES**

5180 E combines can be equipped with a 420, 480, 540, 600, 660 or 760 cm cutting table.

**NOTE:** In this manual, the term "table/s" signifies both the cutting table and the maize header when used generically. The term "cutting table" refers to the assembly consisting of reel, cutting bar, table auger, etc. used to harvest cereal, rice, soya, etc. The term "maize header" refers to the assembly consisting of stalk grippers, stripping blades, conveyor chains, etc. used for harvesting maize.



**Engine identification - Fig. 4**

The engine is identified by the plate (1) on the engine flywheel housing.

The plate shows:

- Family.
- Type.
- Serial number.
- Type approval number (identifies the compliance with the gas emissions directive).

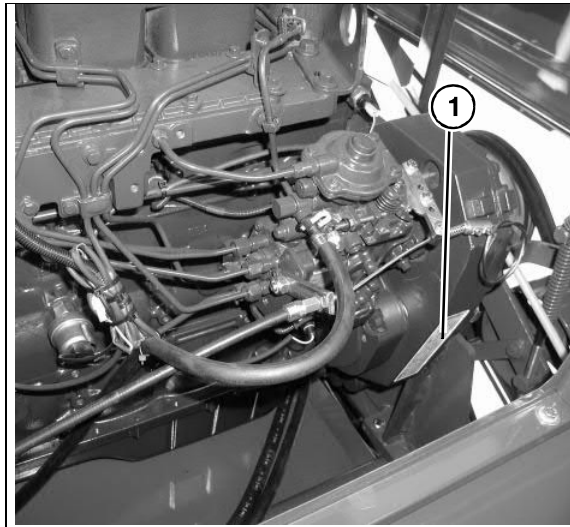


Fig. 4

**Straw chopper identification (if fitted) - Fig. 5**

The type plate is located on the right-hand side next to the straw chopper rotor support.

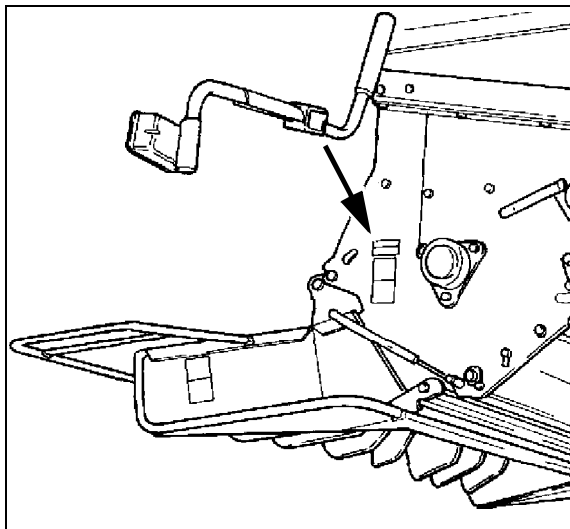


Fig. 5

**Cutting table identification details - Fig. 6**

The type and serial number are stamped on the type plate located on the left-hand side of the frame.

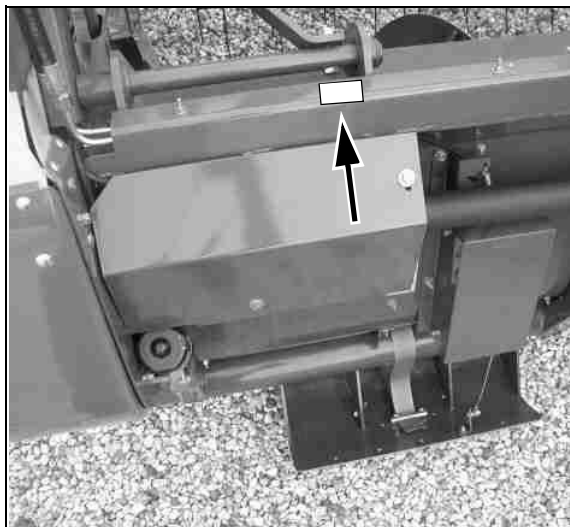


Fig. 6



## **GENERAL INFORMATION**

### **Cab identification - Fig. 7**

The cab type plate is located in the bottom left corner of the operator seat, under the concave opening levers.

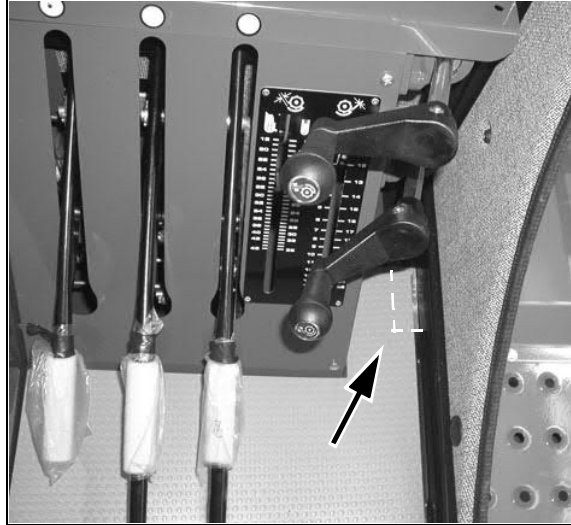


Fig. 7

### **Hydrostatic pump identification**

Fig. 8

The type plate is located on the front part of the pump.

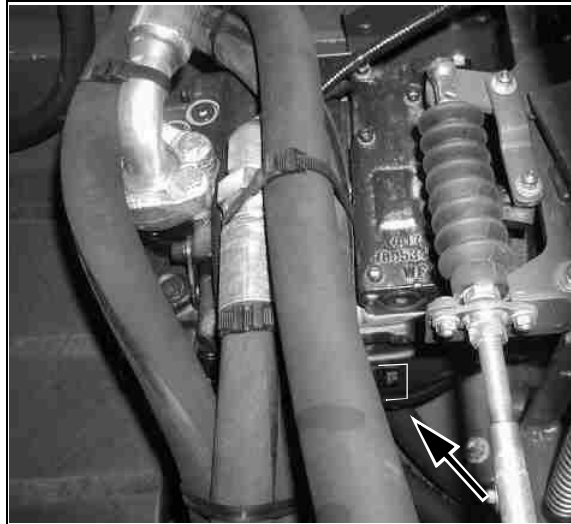


Fig. 8

### **Hydrostatic motor identification**

Fig. 9

The type plate is located on the lower part of the motor.

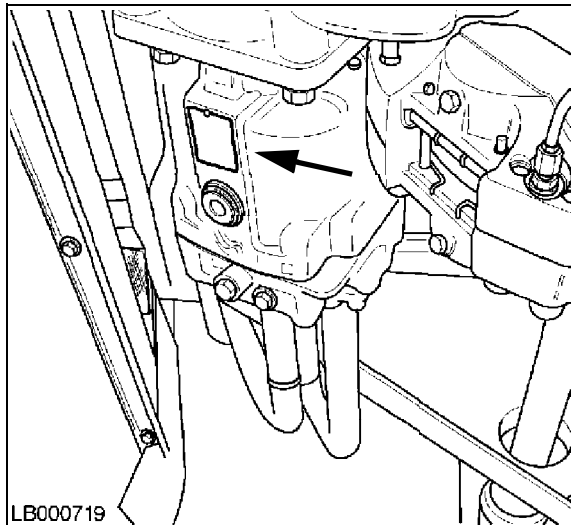


Fig. 9

**Chaff spreader identification (if fitted) - Fig. 10**

The type plate is located on the right-hand side next to the chaff spreader adjustment lever.

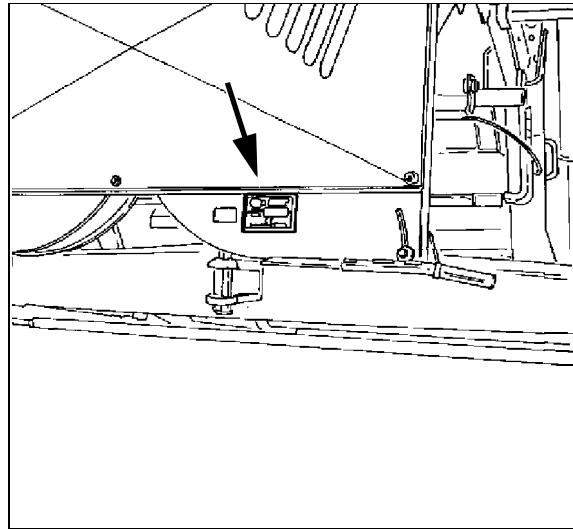


Fig. 10

**Trailer hitch identification (if fitted) - Fig. 11**

The plate is positioned on the right-hand side of the trailer hitch.

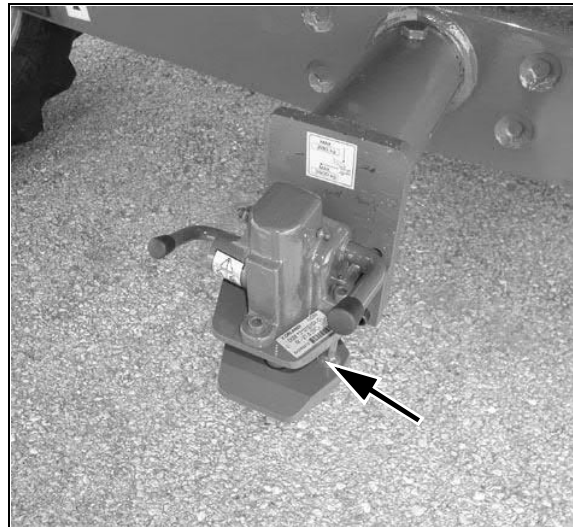


Fig. 11

# GENERAL INFORMATION

Please enter the identification details of your combine for convenient reference:

Combine model .....

Combine serial number .....

Engine type and serial number .....

Cab serial number .....

Straw chopper serial number .....

Cutting table serial number .....


Date of initial startup .....

Dealer's telephone number .....

## EC Declaration of Conformity

The EC Declaration of Conformity, the front and reverse sides of which are shown below, certifies that **the combine was designed and built in compliance with the regulations currently applicable within the European Community.**


The cutting table has its own Declaration of Conformity.



**AGCO International GmbH**  
Victor von Bruns-Strasse 17  
8212 Neuhausen am Rheinfall  
Switzerland

**AGCO S.A.**  
41, avenue Blaise Pascal  
60026 Beauvais Cedex  
France

IT	FR	OA	IT	GR	ES	SI	NO
1	1	1	1	1	1	1	1
2	2	2	2	2	2	2	2
3	3	3	3	3	3	3	3
4	4	4	4	4	4	4	4
5	5	5	5	5	5	5	5
6	6	6	6	6	6	6	6
7	7	7	7	7	7	7	7
8	8	8	8	8	8	8	8
9	9	9	9	9	9	9	9



048811

Scovac, le .....

Thank you so much for reading.  
Please click the “Buy Now!”  
button below to download the  
complete manual.



After you pay.

You can download the most  
perfect and complete manual in  
the world immediately.

Our support email:

[ebooklibonline@outlook.com](mailto:ebooklibonline@outlook.com)