

PARTS CATALOG

Product Line

**CATALOGO PARTI
DI RICAMBIO**

Model E70SR

**CATALOGUE DES PIECES
DETACHEES**

ERSATZTEILKATALOG

**CATÁLOGO DES PIEZAS
DE REPUESTO**

**CATÁLOGO DE PEÇAS
SOBRESSALENTES**

ONDERDELENLIJST

RESERVEDELSKATALOG

CATALOGUE n. 604.04.258.00
1st Edition 12 - 2006

 **NEW HOLLAND**

TABLE OF CONTENTS

0 - FILTERS	00	MAINTENANCE PARTS
0 - VERSION	00	IDENTIFICATION AND VERSION LIST
0.000	01	ENGINE SUSPENSIONS
0.001	01	AIR CLEANER
0.001	02	AIR CLEANER
0.002	01	MUFFLER
0.003	01	RADIATOR
0.003	02	RADIATOR - COMPONENTS
0.004	01	ACCELERATOR CONTROLS
0.021	01	ENGINE
0.021	02	ENGINE
0.040	01	CRANKCASE
0.042	01	ENGINE OIL SUMP
0.043	01	CRANKCASE COVERS
0.060	01	CYLINDER HEAD
0.060	02	CYLINDER HEAD
0.071	01	INTAKE MANIFOLD
0.077	01	EXHAUST MANIFOLD
0.080	01	CAMSHAFT AND VALVE
0.080	02	CRANKSHAFT, PISTON AND FLYWHEEL
0.149	01	INJECTION EQUIPMENT
0.149	02	INJECTION EQUIPMENT
0.149	03	INJECTION PUMP - COMPONENTS
0.149	04	INJECTION PUMP - COMPONENTS
0.149	05	INJECTION PUMP - COMPONENTS
0.149	06	INJECTION EQUIPMENT
0.149	07	INJECTION EQUIPMENT
0.200	01	FUEL FILTER
0.200	02	FUEL FILTER
0.200	03	FUEL FILTER
0.203	01	PIPING - FUEL
0.300	01	OIL PUMP - ENGINE
0.302	01	OIL FILTERS - ENGINE
0.305	01	PIPING - ENGINE OIL
0.323	01	VENTILATION SYSTEM
0.326	01	THERMOSTAT - ENGINE COOLING SYSTEM
0.340	01	WATER PUMP - CONTROL
0.340	02	WATER PIPING; ENGINE
0.347	01	FAN - ENGINE
0.360	01	STARTER MOTOR
0.360	02	STARTER MOTOR - COMPONENTS
0.400	01	ALTERNATOR
0.400	02	ALTERNATOR - COMPONENTS
0.450	01	HOOKS - ENGINE
1.000	01	UPPER FRAME
1.000	02	UPPER FRAME
1.000	03	UPPER FRAME
1.001	01	UPPER FRAME - ROTARY + NIBBLER & BREAKER
1.001	02	UPPER FRAME - EXTRA, NIBBLER
1.002	01	UPPER FRAME - PTPA DOZER
1.004	01	UPPER FRAME- 2-PIECE BOOM
1.010	01	FUEL TANK
1.010	02	FUEL TANK
1.010	03	SEPARATOR ASSY, WATER
1.016	01	FUEL TRANSFER PUMP

TABLE OF CONTENTS

1.016	02	FUEL TRANSFER PUMP
1.020	01	OIL TANK
1.021	01	FUEL TANK - DOZER
1.030	01	HYDRAULIC PUMP
1.030	02	HYDRAULIC PUMP - COMPONENTS
1.030	03	HYDRAULIC PUMP - COMPONENTS
1.031	01	HYDRAULIC PUMP - DOZER
1.031	02	HYDRAULIC PUMP - DOZER
1.031	03	HYDRAULIC PUMP - COMPONENTS - DOZER
1.032	01	HYDRAULIC PUMP - BREAKER, NIBBLER, EXTRA, EXTRA & BREAKER
1.040	01	SWING REDUCTION UNIT
1.040	02	SWING MOTOR - COMPONENTS
1.040	03	SWING MOTOR - COMPONENTS
1.040	04	SWING MOTOR - COMPONENTS
1.040	05	SWING REDUCTION UNIT - COMPONENTS
1.050	01	PUMP/CONTROL VALVE PIPING
1.050	02	PUMP/CONTROL VALVE PIPING
1.050	03	PUMP/CONTROL VALVE PIPING
1.050	04	PUMP/CONTROL VALVE PIPING
1.050	05	PUMP/CONTROL VALVE PIPING
1.050	06	PUMP/CONTROL VALVE PIPING
1.050	07	HYDRAULIC CONTROL VALVE - COMPONENTS
1.050	08	HYDRAULIC CONTROL VALVE - COMPONENTS
1.050	09	HYDRAULIC CONTROL VALVE - COMPONENTS
1.050	10	HYDRAULIC CONTROL VALVE - COMPONENTS
1.050	11	HYDRAULIC CONTROL VALVE - COMPONENTS
1.050	12	HYDRAULIC CONTROL VALVE - COMPONENTS
1.050	13	HYDRAULIC CONTROL VALVE - COMPONENTS
1.050	14	HYDRAULIC CONTROL VALVE - COMPONENTS
1.050	15	HYDRAULIC CONTROL VALVE - COMPONENTS
1.051	01	HYDRAULIC CONTROL VALVE - OFFSET BOOM
1.051	02	HYDRAULIC CONTROL VALVE - OFFSET BOOM
1.051	03	PUMP/CONTROL VALVE PIPING - OFFSET BOOM
1.051	04	PUMP/CONTROL VALVE PIPING - OFFSET BOOM
1.051	05	PUMP/CONTROL VALVE PIPING - OFFSET BOOM
1.051	06	PUMP/CONTROL VALVE PIPING - OFFSET BOOM
1.051	07	PUMP/CONTROL VALVE PIPING - OFFSET BOOM
1.051	08	PUMP/CONTROL VALVE PIPING - OFFSET BOOM
1.051	09	PUMP/CONTROL VALVE PIPING - OFFSET BOOM
1.051	10	PUMP/CONTROL VALVE PIPING - SEPARATE + NIBBLER & BREAKER
1.051	11	PUMP/CONTROL VALVE PIPING - SEPARATE + NIBBLER & BREAKER
1.051	12	HYDRAULIC CONTROL VALVE - COMPONENTS - OFFSET BOOM
1.051	13	HYDRAULIC CONTROL VALVE - COMPONENTS - OFFSET BOOM
1.051	14	HYDRAULIC CONTROL VALVE - COMPONENTS - OFFSET BOOM
1.051	15	HYDRAULIC CONTROL VALVE - COMPONENTS - OFFSET BOOM
1.052	01	PUMP/CONTROL VALVE PIPING- 2-PIECE BOOM
1.052	02	PUMP/CONTROL VALVE PIPING- 2-PIECE BOOM
1.052	03	PUMP/CONTROL VALVE PIPING- 2-PIECE BOOM
1.052	04	PUMP/CONTROL VALVE PIPING- 2-PIECE BOOM
1.052	05	PUMP/CONTROL VALVE PIPING- 2-PIECE BOOM
1.052	06	PUMP/CONTROL VALVE PIPING- 2-PIECE BOOM
1.052	07	PUMP/CONTROL VALVE PIPING- 2-PIECE BOOM
1.052	08	PUMP/CONTROL VALVE PIPING- 2-PIECE BOOM
1.052	09	PUMP/CONTROL VALVE PIPING- 2-PIECE BOOM
1.052	10	PUMP/CONTROL VALVE PIPING- 2-PIECE BOOM

TABLE OF CONTENTS

1.053	01	PUMP/CONTROL VALVE PIPING - DOZER
1.053	02	PUMP/CONTROL VALVE PIPING - PTPA DOZER
1.053	03	PUMP/CONTROL VALVE PIPING - DOZER
1.053	04	PUMP/CONTROL VALVE PIPING - DOZER
1.053	05	PUMP/CONTROL VALVE PIPING - DOZER
1.053	06	PUMP/CONTROL VALVE PIPING - PTPA DOZER
1.053	07	PUMP/CONTROL VALVE PIPING - PTPA DOZER
1.053	08	PUMP/CONTROL VALVE PIPING - DOZER
1.053	09	PUMP/CONTROL VALVE PIPING - DOZER
1.053	10	HYDRAULIC CONTROL VALVE - DOZER
1.053	11	HYDRAULIC CONTROL VALVE - DOZER
1.053	12	HYDRAULIC CONTROL VALVE - DOZER
1.053	13	HYDRAULIC CONTROL VALVE - DOZER
1.053	14	HYDRAULIC CONTROL VALVE - DOZER
1.053	15	HYDRAULIC CONTROL VALVE - DOZER
1.053	16	HYDRAULIC CONTROL VALVE - DOZER
1.054	01	PUMP/CONTROL VALVE PIPING - BREAKER, NIBBLER & BREAKER
1.054	02	PUMP/CONTROL VALVE PIPING - BREAKER, NIBBLER, EXTRA, EXTRA & BREAKER
1.054	03	PUMP/CONTROL VALVE PIPING - EXTRA & DOZER, EXTRA & DOZER & BREAKER
1.054	04	PUMP/CONTROL VALVE PIPING - BREAKER NIBBLER & BREAKER EXTRA, EXTRA & BREAKER
1.054	05	PUMP/CONTROL VALVE PIPING - EXTRA
1.054	06	PUMP/CONTROL VALVE PIPING - EXTRA
1.054	07	PUMP/CONTROL VALVE PIPING - EXTRA+DOZER
1.054	08	PUMP/CONTROL VALVE PIPING - EXTRA+DOZER
1.054	09	PUMP/CONTROL VALVE PIPING - BREAKER, NIBBLER & BREAKER
1.054	10	PUMP/CONTROL VALVE PIPING - BREAKER, NIBBLER & BREAKER
1.054	11	PUMP/CONTROL VALVE PIPING - BREAKER
1.054	12	PUMP/CONTROL VALVE PIPING - NIBBLER & BREAKER
1.054	13	PUMP/CONTROL VALVE PIPING - ROTARY+NIBBLER & BREAKER
1.054	14	PUMP/CONTROL VALVE PIPING - ROTARY + NIBBLER & BREAKER
1.054	15	PUMP/CONTROL VALVE PIPING - EXTRA+NIBBLER & BREAKER
1.054	16	PUMP/CONTROL VALVE PIPING - EXTRA+NIBBLER & BREAKER
1.054	17	PUMP/CONTROL VALVE PIPING - EXTRA + BREAKER + DOZER
1.054	18	PUMP/CONTROL VALVE PIPING - EXTRA + BREAKER + DOZER
1.054	19	PUMP/CONTROL VALVE PIPING - EXTRA + NIBBLER & BREAKER + DOZER
1.054	20	PUMP/CONTROL VALVE PIPING - EXTRA + NIBBLER & BREAKER + DOZER
1.054	21	PUMP/CONTROL VALVE PIPING - BREAKER
1.054	22	PUMP/CONTROL VALVE PIPING - BREAKER
1.054	23	PUMP/CONTROL VALVE PIPING - NIBBLER & BREAKER
1.054	24	PUMP/CONTROL VALVE PIPING - NIBBLER & BREAKER
1.054	25	PUMP/CONTROL VALVE PIPING - ROTARY + NIBBLER & BREAKER + DOZER
1.054	26	PUMP/CONTROL VALVE PIPING - ROTARY + NIBBLER & BREAKER + DOZER
1.054	27	HYDRAULIC CONTROL VALVE - COMPONENTS - EXTRA & BREAKER
1.054	28	HYDRAULIC CONTROL VALVE - COMPONENTS - DOZER & EXTRA
1.070	01	CONTROLS
1.070	02	CONTROLS
1.070	03	CONTROLS
1.070	04	CONTROLS
1.070	05	CONTROLS
1.070	06	PILOT VALVE - COMPONENTS
1.070	07	PILOT VALVE - COMPONENTS
1.071	01	CONTROLS - PTPA DOZER
1.071	02	CONTROLS - PTPA DOZER
1.071	03	PILOT VALVE - DOZER

TABLE OF CONTENTS

1.073	01	PILOT VALVE - OFFSET BOOM, NIBBLER & BREAKER
1.073	02	PILOT VALVE - OFFSET BOOM
1.080	01	PILOT PIPING
1.080	02	PILOT PIPING
1.080	03	PILOT PIPING
1.080	04	PILOT PIPING
1.080	05	PILOT PIPING
1.080	06	PILOT PIPING
1.080	07	PILOT PIPING
1.080	08	PILOT PIPING
1.080	09	SOLENOID VALVE
1.080	10	SOLENOID VALVE
1.080	11	SOLENOID VALVE
1.080	12	SOLENOID VALVE
1.081	01	PILOT PIPING - OFFSET BOOM
1.081	02	PILOT PIPING - OFFSET BOOM
1.081	03	PILOT PIPING - OFFSET BOOM
1.081	04	PILOT PIPING - OFFSET+EXTRA
1.081	05	PILOT PIPING - OFFSET+EXTRA
1.081	06	PILOT PIPING - OFFSET BOOM
1.081	07	PILOT PIPING - OFFSET BOOM
1.081	08	PILOT PIPING - OFFSET BOOM
1.081	09	PILOT PIPING - OFFSET BOOM
1.081	10	PILOT PIPING - SEPARATE+NIBBLER & BREAKER
1.081	11	PILOT PIPING - SEPARATE+NIBBLER & BREAKER
1.081	12	PILOT PIPING - OFFSET BOOM
1.081	13	PILOT PIPING - OFFSET BOOM
1.081	14	PILOT PIPING - OFFSET BOOM
1.081	15	PILOT PIPING - OFFSET+BREAKER+BOOM SAFETY
1.081	16	PILOT PIPING - OFFSET+BREAKER+BOOM SAFETY
1.081	17	PILOT PIPING - OFFSET+BREAKER+BOOM SAFETY
1.081	18	PILOT PIPING - OFFSET BOOM
1.081	19	PILOT PIPING - OFFSET BOOM
1.081	20	PILOT PIPING - OFFSET BOOM
1.081	21	PILOT PIPING - OFFSET+BREAKER
1.081	22	PILOT PIPING - OFFSET+BREAKER
1.081	23	PILOT PIPING - OFFSET+BREAKER
1.081	24	PILOT PIPING - OFFSET+BREAKER
1.081	25	PILOT PIPING - OFFSET+BREAKER
1.081	26	PILOT PIPING - OFFSET+BREAKER
1.081	27	PILOT PIPING - OFFSET BOOM
1.081	28	PILOT PIPING - OFFSET BOOM
1.081	29	PILOT PIPING - OFFSET BOOM
1.081	30	SOLENOID VALVE
1.081	31	SOLENOID VALVE
1.083	01	PILOT PIPING - DOZER
1.083	02	PILOT PIPING - DOZER
1.083	03	PILOT PIPING - PTPA DOZER
1.083	04	PILOT PIPING - PTPA DOZER
1.083	05	PILOT PIPING - DOZER
1.083	06	SOLENOID VALVE - DOZER
1.084	01	PILOT PIPING - BREAKER
1.084	02	PILOT PIPING - NIBBLER & BREAKER
1.084	03	PILOT PIPING - EXTRA
1.084	04	PILOT PIPING -BREAKER

TABLE OF CONTENTS

1.084	05	PILOT PIPING - NIBBLER & BREAKER
1.084	06	PILOT PIPING - EXTRA & BREAKER
1.084	07	PILOT PIPING - EXTRA & BREAKER
1.084	08	PILOT PIPING - EXTRA + NIBBLER & BREAKER
1.084	09	PILOT PIPING - EXTRA, NIBBLER & BREAKER
1.084	10	PILOT PIPING - BREAKER
1.084	11	PILOT PIPING - BREAKER
1.084	12	PILOT PIPING - BREAKER
1.084	13	PILOT PIPING - NIBBLER & BREAKER
1.084	14	PILOT PIPING - NIBBLER & BREAKER
1.084	15	PILOT PIPING - NIBBLER & BREAKER
1.084	16	PILOT PIPING - BREAKER
1.084	17	PILOT PIPING - BREAKER
1.084	18	PILOT PIPING - BREAKER
1.084	19	PILOT PIPING - NIBBLER & BREAKER
1.084	20	PILOT PIPING - NIBBLER & BREAKER
1.084	21	PILOT PIPING - NIBBLER & BREAKER
1.084	22	PILOT PIPING - BREAKER, NIBBLER & BREAKER
1.084	23	PILOT PIPING - BREAKER, NIBBLER & BREAKER
1.084	24	PILOT PIPING - NIBBLER & BREAKER
1.084	25	PILOT PIPING - BREAKER, NIBBLER & BREAKER
1.084	26	PILOT PIPING - BREAKER, NIBBLER & BREAKER
1.084	27	PILOT PIPING - BREAKER, NIBBLER & BREAKER
1.084	28	PILOT PIPING - EXTRA + NIBBLER & BREAKER
1.084	29	PILOT PIPING - BREAKER, NIBBLER & BREAKER
1.084	30	PILOT PIPING - BREAKER, NIBBLER & BREAKER
1.084	31	PILOT PIPING - ROTARY, EXTRA
1.084	32	PILOT PIPING - SWITCH SINGLE / CONFLUX
1.084	33	SOLENOID VALVE - ROTARY, EXTRA
1.220	01	ELECTRIC SYSTEM
1.220	02	ELECTRIC SYSTEM
1.220	03	ELECTRIC SYSTEM
1.220	04	ELECTRIC SYSTEM
1.220	05	ELECTRIC SYSTEM
1.220	06	ELECTRIC SYSTEM
1.220	07	ELECTRIC SYSTEM
1.220	08	ELECTRIC SYSTEM
1.220	09	ELECTRIC SYSTEM
1.220	10	ELECTRIC SYSTEM
1.220	11	ELECTRIC SYSTEM
1.220	12	ELECTRIC SYSTEM
1.220	13	ELECTRIC SYSTEM
1.220	14	ELECTRIC SYSTEM
1.220	15	ELECTRIC SYSTEM
1.220	16	ELECTRIC SYSTEM
1.220	17	ELECTRIC SYSTEM
1.220	18	ELECTRIC SYSTEM
1.220	19	ELECTRIC SYSTEM
1.220	20	ELECTRIC SYSTEM
1.220	21	ELECTRIC SYSTEM
1.220	22	ELECTRIC SYSTEM -
1.220	23	ELECTRIC SYSTEM
1.220	24	ELECTRIC SYSTEM
1.221	01	ELECTRIC SYSTEM - OFFSET BOOM
1.222	01	ELECTRIC SYSTEM - PTPA DOZER

TABLE OF CONTENTS

1.223	01	ELECTRIC SYSTEM - BREAKER, NIBBLER & BREAKER, EXTRA, EXTRA & BREAKER
1.223	02	ELECTRIC SYSTEM - BREAKER, NIBBLER & BREAKER, EXTRA, EXTRA & BREAKER
1.223	03	ELECTRIC SYSTEM - BREAKER, NIBBLER & BREAKER, EXTRA, EXTRA & BREAKER
1.223	04	ELECTRIC SYSTEM - BREAKER, NIBBLER & BREAKER, EXTRA, EXTRA & BREAKER
1.223	05	ELECTRIC SYSTEM - BREAKER, NIBBLER & BREAKER, EXTRA, EXTRA & BREAKER
1.223	06	ELECTRIC SYSTEM - BREAKER, NIBBLER & BREAKER, EXTRA, EXTRA & BREAKER
1.224	01	ELECTRIC SYSTEM - 2-PIECE BOOM
1.250	01	CAB
1.250	02	CAB - COMPONENTS
1.250	03	CAB - COMPONENTS
1.250	04	CAB - COMPONENTS
1.250	05	CAB - COMPONENTS
1.250	06	CAB - COMPONENTS
1.250	07	OPERATOR'S SEAT
1.250	08	OPERATOR'S SEAT
1.251	01	OPERATOR'S SEAT - PTPA DOZER
1.270	01	FLOOR-CAB
1.271	01	FLOOR-CAB - OFFSET BOOM
1.273	01	FLOOR-CAB - BREAKER, NIBBLER & BREAKER, EXTRA, EXTRA & BREAKER
1.274	01	FLOOR-CAB - PTPA DOZER
1.295	01	AIR CONDITIONING
1.295	02	AIR CONDITIONING
1.295	03	AIR CONDITIONING
1.295	04	AIR CONDITIONING
1.295	05	AIR CONDITIONING
1.295	06	AIR CONDITIONING - COMPONENTS
1.295	07	AIR CONDITIONING - COMPONENTS
1.295	08	AIR CONDITIONING - COMPONENTS
1.295	09	AIR CONDITIONING - COMPONENTS
1.295	10	AIR CONDITIONING - COMPONENTS
1.300	01	HOODS
1.300	02	HOODS
1.300	03	HOODS
1.300	04	HOODS
1.300	05	HOODS
1.300	06	HOODS
1.300	07	HOODS
1.300	08	HOODS
1.300	09	HOODS
1.300	10	HOODS
1.300	11	HOODS
1.301	01	HOODS - OFFSET BOOM
1.303	01	HOODS - EXTRA
1.303	02	HOODS - NIBBLER & BREAKER
2.000	01	MONOBLOC BOOM (3,72M)
2.001	01	BOOM MAIN (2,03M) - 2-PIECE BOOM
2.001	02	BOOM MAIN (2,03M) - 2-PIECE BOOM
2.001	03	BOOM MAIN (2,03M) - 2-PIECE BOOM
2.002	01	BOOM FRONT (2,475M) - 2-PIECE BOOM
2.002	02	BOOM FRONT (2,475M) - 2-PIECE BOOM
2.002	03	BOOM FRONT (2,475M) - 2-PIECE BOOM
2.003	01	DIPPER STICK (1,65M)
2.004	01	MONOBLOC BOOM - OFFSET BOOM
2.004	02	MONOBLOC BOOM - OFFSET BOOM
2.004	03	MONOBLOC BOOM - OFFSET BOOM

TABLE OF CONTENTS

2.005	01	DIPPER STICK (1,76M) - OFFSET BOOM
2.005	02	DIPPER STICK (1,76M) - OFFSET BOOM
2.006	01	DIPPER STICK (2,06M) - OFFSET BOOM
2.006	02	DIPPER STICK (2,06M) - OFFSET BOOM
2.007	01	MONOBLOC BOOM (3,72) - NIBBLER & BREAKER
2.007	02	MONOBLOC BOOM (3,72M) - EXTRA
2.008	01	DIPPER STICK (1,65M) - NIBBLER & BREAKER
2.008	02	DIPPER STICK (1,65M) - NIBBLER & BREAKER
2.008	03	DIPPER STICK (1,65M) - EXTRA
2.008	04	DIPPER STICK (1,65M) - NIBBLER & BREAKER
2.008	05	DIPPER STICK (1,65M) - EXTRA + NIBBLER & BREAKER
2.008	06	DIPPER STICK (1,65M) - EXTRA, NIBBLER & BREAKER
2.009	01	DIPPER STICK (2,07M) - NIBBLER & BREAKER
2.009	02	DIPPER STICK (2,07M) - NIBBLER & BREAKER
2.009	03	DIPPER STICK (2,07M) - EXTRA
2.009	04	DIPPER STICK (2,07M) - BREAKER
2.009	05	DIPPER STICK (2,07M) - EXTRA + NIBBLER & BREAKER
2.009	06	DIPPER STICK (2,07M) - EXTRA + BREAKER
2.030	01	BOOM PIPING
2.030	02	LIFT CYLINDER
2.030	03	DIPPER STICK CYLINDER
2.030	03	LIFT CYLINDER
2.031	01	BOOM PIPING - 2-PIECE BOOM
2.031	02	BOOM PIPING - 2-PIECE BOOM
2.031	03	BOOM PIPING - 2-PIECE BOOM
2.031	04	BOOM PIPING - 2-PIECE BOOM
2.031	05	LIFT CYLINDER - 2-PIECE BOOM
2.032	01	BOOM PIPING - 2-PIECE BOOM
2.032	02	BOOM PIPING - 2-PIECE BOOM
2.032	03	BOOM PIPING - 2-PIECE BOOM
2.032	04	BOOM PIPING - 2-PIECE BOOM
2.032	05	BOOM PIPING - 2-PIECE BOOM
2.032	06	BOOM PIPING - 2-PIECE BOOM
2.032	07	CYLINDER ASSY JIB - 2-PIECE BOOM
2.033	01	BOOM PIPING (1,65M)
2.033	02	BUCKET CYLINDER
2.034	01	BOOM PIPING - OFFSET BOOM
2.034	02	BOOM PIPING - OFFSET BOOM
2.034	03	BOOM PIPING - OFFSET BOOM
2.034	04	BOOM PIPING - OFFSET BOOM
2.034	05	BOOM PIPING - OFFSET BOOM
2.034	06	BOOM PIPING - OFFSET BOOM
2.034	07	BOOM PIPING - OFFSET BOOM
2.034	08	LIFT CYLINDER - OFFSET BOOM
2.034	09	CYLINDER ASSY OFFSET
2.034	10	DIPPER STICK CYLINDER - OFFSET BOOM
2.035	01	BOOM PIPING (1,76M) - OFFSET BOOM
2.035	02	BOOM PIPING (1,76M) - OFFSET BOOM
2.035	03	BOOM PIPING - OFFSET BOOM
2.036	01	BOOM PIPING (2,06M) - OFFSET BOOM
2.036	02	BOOM PIPING (2,06M) - OFFSET BOOM
2.037	01	BOOM PIPING (3,72M) - BREAKER
2.037	02	BOOM PIPING (3,72M) - NIBBLER & BREAKER
2.037	03	BOOM PIPING (3,72M) - EXTRA
2.037	04	BOOM PIPING (3,72M) - EXTRA + NIBBLER & BREAKER

TABLE OF CONTENTS

2.037	05	BOOM PIPING (3,72M) - EXTRA + BREAKER
2.037	06	BOOM PIPING (3,72M) - EXTRA + NIBBLER & BREAKER
2.038	01	BOOM PIPING (1,65M) - BREAKER, NIBBLER & BREAKER
2.038	02	BOOM PIPING (1,65M) - EXTRA
2.038	03	BOOM PIPING (1,65M) - BREAKER, NIBBLER & BREAKER
2.038	04	BOOM PIPING (1,65M) - EXTRA + NIBBLER & BREAKER
2.039	01	BOOM PIPING (2,07M) - BREAKER, NIBBLER & BREAKER
2.039	02	BOOM PIPING (2,07M) - EXTRA
2.039	03	BOOM PIPING (2,07M) - BREAKER, NIBBLER & BREAKER
2.039	04	BOOM PIPING (2,07M) - EXTRA + NIBBLER & BREAKER
2.042	01	QUICK CONNECTION - BREAKER, NIBBLER & BREAKER, EXTRA, EXTRA & BREAKER
2.043	01	QUICK CONNECTION - OFFSET BOOM
2.050	01	BUCKET INSTALLATION
3.000	01	LOWER FRAME
3.000	02	LOWER FRAME
3.000	03	LOWER FRAME
3.001	01	LOWER FRAME - DOZER
3.001	02	LOWER FRAME - PTPA DOZER
3.010	01	MOTOR ASSY, PROPELLING
3.010	02	MOTOR ASSY, PROPELLING
3.020	01	TRACK IDLER
3.020	02	TRACK IDLER
3.020	03	TRACK IDLER
3.030	01	TRACK CARRIER ROLLER
3.040	01	TRACK ROLLER
3.050	01	DOZER
3.050	02	DOZER
3.050	03	DOZER
3.050	04	DOZER
3.050	05	DOZER
3.050	06	DOZER
3.050	07	DOZER - PTPA DOZER
3.050	08	DOZER - PTPA DOZER
3.050	09	DOZER - PTPA DOZER
3.050	10	CILINDER ASSY,DOZER
3.050	11	CILINDER ASSY, TILT - DOZER
3.050	12	CILINDER ASSY, ANGLE - DOZER
3.060	01	JOINT ASSY, SWIVEL
3.061	01	JOINT ASSY, SWIVEL - DOZER
3.070	01	TRAVEL PIPING (LOWER)
3.071	01	TRAVEL PIPING (LOWER) - PTPA DOZER
3.071	02	TRAVEL PIPING (LOWER) - DOZER
3.071	03	TRAVEL PIPING (LOWER) - PTPA DOZER
3.071	04	TRAVEL PIPING (LOWER) - PTPA DOZER
3.071	05	TRAVEL PIPING (LOWER) - DOZER
3.071	06	SOLENOID VALVE - DOZER
4.200	01	TOOLS KIT
4.200	02	TOOLS KIT
4.520	01	DECALS
4.520	02	DECALS
4.520	03	DECALS
4.520	04	DECALS
4.520	05	DECALS
4.520	06	DECALS

TABLE OF CONTENTS

4.520	07	DECALS
4.520	08	DECALS
4.521	01	DECALS - DOZER
4.522	01	DECALS - OFFSET BOOM
4.523	01	DECALS - BREAKER, EXTRA, NIBBLER
4.523	02	DECALS - BREAKER, EXTRA, NIBBLER
4.524	01	DECALS - 2-PIECE BOOM
4.524	02	DECALS - 2-PIECE BOOM
5.0001	01	SHOE ASSY
5.0001	02	SHOE ASSY
5.0002	01	RUBBER CRAWLER BELT
5.0010	01	COVER ASSY, CARBODY - OPTIONAL CODE 72140297
5.0013	01	DIPPER STICK (2,07M) - OPTIONAL CODE 72140105
5.0013	02	DIPPER STICK (2,07M)
5.0013	03	DIPPER STICK (2,07M) - OPTIONAL CODE 72140105
5.0080	01	BOOM SAFETY VALVE - OPTIONAL CODE 72140170
5.0080	02	BOOM SAFETY VALVE - OPTIONAL CODE 72140170
5.0080	03	BOOM SAFETY VALVE - OPTIONAL CODE 72140170
5.0081	01	BOOM & ARM SAFETY VALVE - OPTIONAL CODE 72140176
5.0081	02	BOOM & ARM SAFETY VALVE - OPTIONAL CODE 72140176
5.0081	03	BOOM & ARM SAFETY VALVE - OPTIONAL CODE 72140176
5.0081	04	BOOM & ARM SAFETY VALVE - OPTIONAL CODE 72140176
5.0081	05	BOOM & ARM SAFETY VALVE - OPTIONAL CODE 72140176
5.0081	06	BOOM & ARM SAFETY VALVE - OPTIONAL CODE 72140176
5.0098	01	ELECTRIC SYSTEM - OPTIONAL CODE 72151674
5.0099	01	ALARM ASSY - OPTIONAL CODE 72151694
5.0099	02	ALARM ASSY - OPTIONAL CODE 72151694
5.0100	01	BUCKET - (L=600MM) - OPTIONAL CODE 72211704
5.0101	01	BUCKET - (L=750MM) - OPTIONAL CODE 72211706
5.0102	01	BUCKET - (L=850MM) - OPTIONAL CODE 72211708
5.0203	01	FUEL LINES - AUTO AIR BREATH - OPTIONAL CODE 72151690
5.0207	01	CAB - COMPONENTS (WITH POWER WINDOW) - OPTIONAL CODE 72151671
5.0207	02	CAB - COMPONENTS (WITH POWER WINDOW) - OPTIONAL CODE 72151671
5.0207	03	CAB - COMPONENTS (WITH POWER WINDOW) - OPTIONAL CODE 72151671
5.0210	01	CALL ASSY, ONE-WAY - OPTIONAL CODE 72151697
5.0580	01	SUN VISOR - OPTIONAL CODE 72151668
5.0603	01	UPPER FRAME - AUTOMATIC AIRRELIEF SPEC - OPTIONAL CODE 72151691
5.0604	01	CONDITIONING - OPTIONAL CODE 72140041
5.0604	02	CONDITIONING - OPTIONAL CODE 72140041
5.0604	03	CONDITIONING - OPTIONAL CODE 72140041
5.0767	01	CAB LIGHTS - OPTIONAL CODE 72151695
5.0770	01	EXTINGUISHER INSTAL - OPTIONAL CODE 72151695
5.0834	01	CYLINDER INSTAL - OPTIONAL CODE 72151705

SECTION INDEX

0 - FILTERS	00	MAINTENANCE PARTS
0 - VERSION	00	IDENTIFICATION AND VERSION LIST
0.000	01	ENGINE SUSPENSIONS
0.001	01	AIR CLEANER
0.001	02	AIR CLEANER
0.002	01	MUFFLER
0.003	01	RADIATOR
0.003	02	RADIATOR - COMPONENTS
0.004	01	ACCELERATOR CONTROLS
0.021	01	ENGINE
0.021	02	ENGINE
0.040	01	CRANKCASE
0.042	01	ENGINE OIL SUMP
0.043	01	CRANKCASE COVERS
0.060	01	CYLINDER HEAD
0.060	02	CYLINDER HEAD
0.071	01	INTAKE MANIFOLD
0.077	01	EXHAUST MANIFOLD
0.080	01	CAMSHAFT AND VALVE
0.080	02	CRANKSHAFT, PISTON AND FLYWHEEL
0.149	01	INJECTION EQUIPMENT
0.149	02	INJECTION EQUIPMENT
0.149	03	INJECTION PUMP - COMPONENTS
0.149	04	INJECTION PUMP - COMPONENTS
0.149	05	INJECTION PUMP - COMPONENTS
0.149	06	INJECTION EQUIPMENT
0.149	07	INJECTION EQUIPMENT
0.200	01	FUEL FILTER
0.200	02	FUEL FILTER
0.200	03	FUEL FILTER
0.203	01	PIPING - FUEL
0.300	01	OIL PUMP - ENGINE
0.302	01	OIL FILTERS - ENGINE
0.305	01	PIPING - ENGINE OIL
0.323	01	VENTILATION SYSTEM
0.326	01	THERMOSTAT - ENGINE COOLING SYSTEM
0.340	01	WATER PUMP - CONTROL
0.340	02	WATER PIPING; ENGINE
0.347	01	FAN - ENGINE
0.360	01	STARTER MOTOR
0.360	02	STARTER MOTOR - COMPONENTS
0.400	01	ALTERNATOR
0.400	02	ALTERNATOR - COMPONENTS
0.450	01	HOOKS - ENGINE

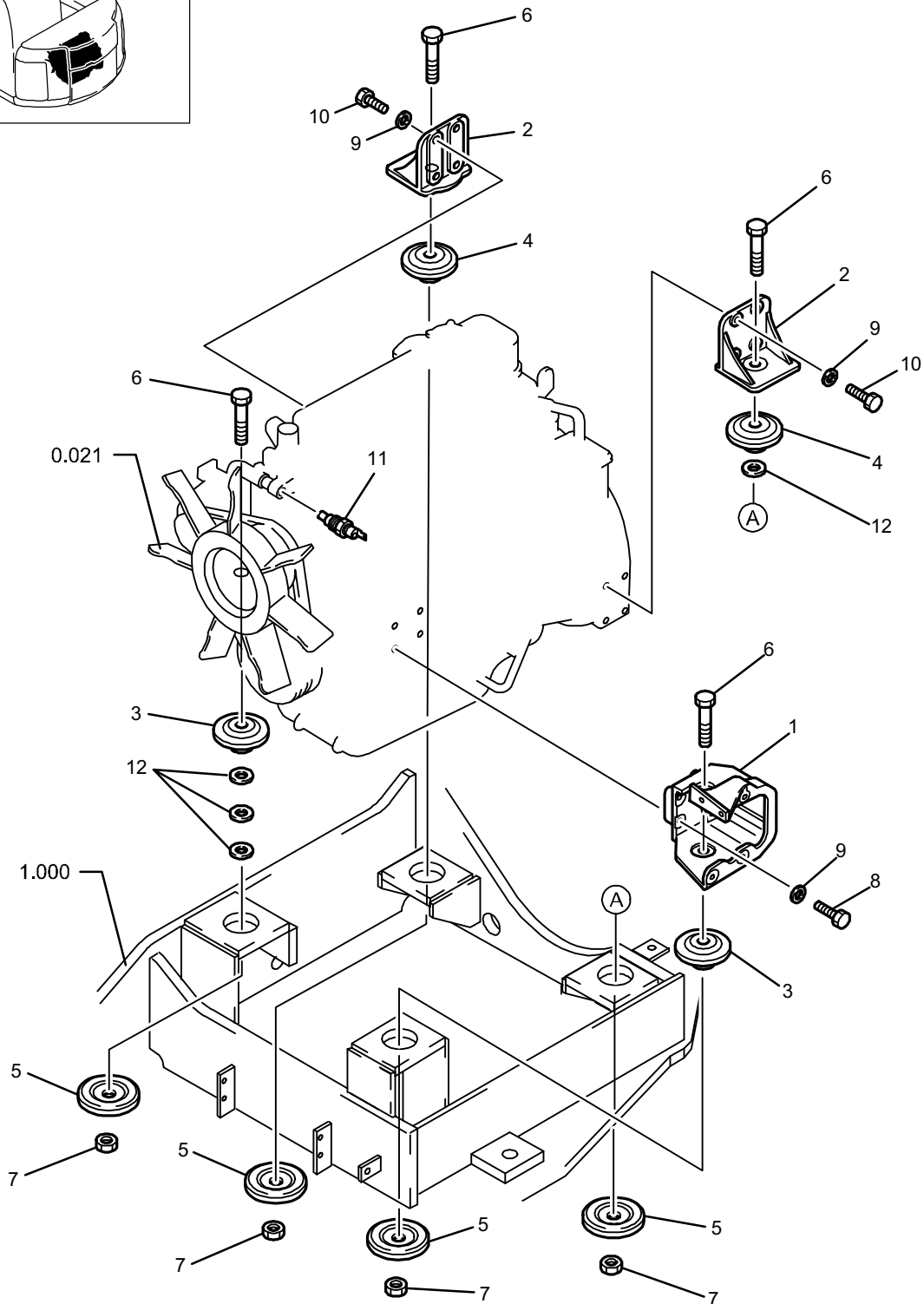
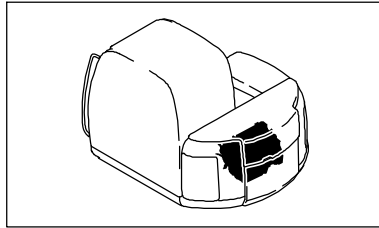
0.000

01

p1

12/05

ENGINE SUSPENSIONS
SOSPENSIONI MOTORE
SUSPENSIONS DU MOTEUR
MOTORAUFHAENGUNG



0.000

01

p1

12/05

ANCLAJES MOTOR

R	N	P.N.	MOD	Q	Description Denominacion	Descrizione Denominação	Description Beschrijving	Bezeichnung Beskrivelse	L.C.
1		72954438		1	BRACKET PIEZA DE SOPORTE	STAFFA BRACADEIRA	PATTE FIXATION STEUNBEUGEL	KONSOLE BESLAG	225S
2		72954212		2	BRACKET PIEZA DE SOPORTE	STAFFA BRACADEIRA	PATTE FIXATION STEUNBEUGEL	KONSOLE BESLAG	225S
3		72960630		2	MOUNTING, RUBBER TEJUELO, GOMA	SUPPORTO, DI GOMMA MONTAGEM DE BORRAC	PALIER CAOUTCHOUC BEVESTIGING, RUBBER	GUMMIHALTERUNG MONTERINGSGUMMIBØ	P777
4		72960971		2	MOUNTING, RUBBER TEJUELO, GOMA	SUPPORTO, DI GOMMA MONTAGEM DE BORRAC	PALIER CAOUTCHOUC BEVESTIGING, RUBBER	GUMMIHALTERUNG MONTERINGSGUMMIBØ	P777
5		YW02P01004P1		4	MOUNT, ENGINE SOPORTE MOTOR	SUPPORTO MOTORE SUPORTE DE MOTOR	SUPPORT MOTEUR MOTORSTEUN	MOTORAUFHÄNGUNG MOTOROPHÆNG	299S
6		72954882		4	SCREW TORNILLO	VITE PARAFUSO	VIS SCHROEF	SCHRAUBE SKRUE	040V
7		ZN18C18015		4	NUT TUERCA	DADO PORCA	ECROU MOER	MUTTER MOETRIK	010D
8		72954887		4	SCREW TORNILLO	VITE PARAFUSO	VIS SCHROEF	SCHRAUBE SKRUE	040V
9		47045385		12	WASHER ARANDELA	ROSETTA PIANA ANILHA	RONDELLE SLUITRING	UNTERLEGSCHIEBE FLADSKIVE	131R
10		ZS18C10035		8	SCREW TORNILLO	VITE PARAFUSO	VIS SCHROEF	SCHRAUBE SKRUE	040V
11		YT52S00001P1		1	SENSOR SENSOR	SENSORE SENSOR	CAPTEUR SENSOR	SENSOR FØLER	608S
12		YW02P01005D1		4	SHIM SUPLEMENTO	SPESSORE CALCO DE AFINACAO	CALE D'EPaisseur DIKTEPLAAT	UNTERLEGSCHIEBE MELLEMLÆG	198S

E70SR

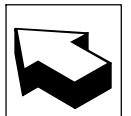
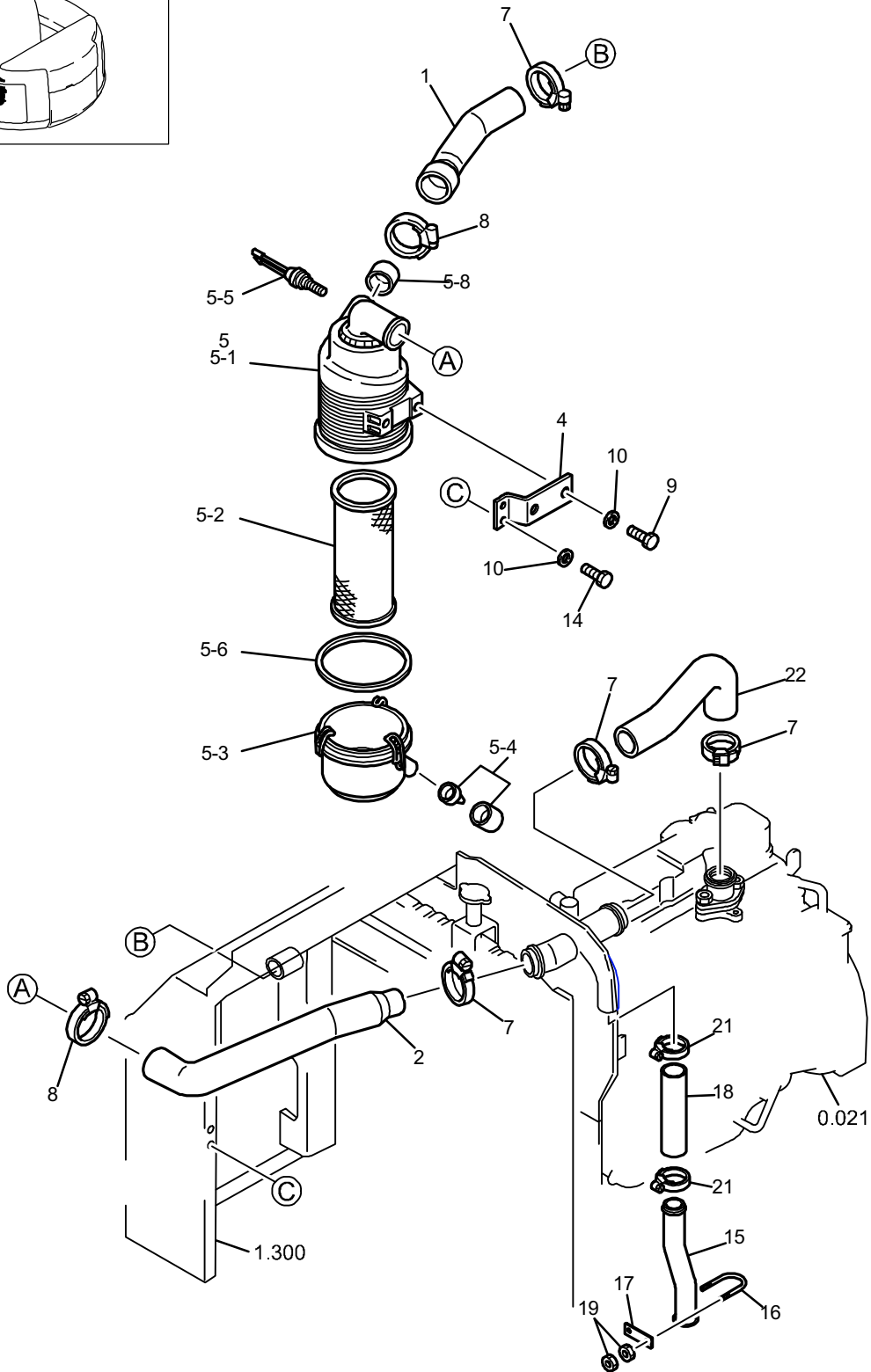
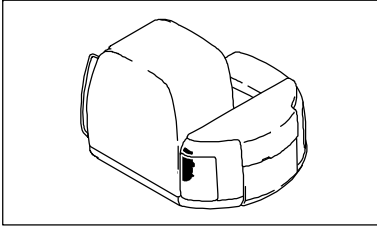
0.001

01

p1

12/05

AIR CLEANER
FILTRO ARIA
FILTRE A AIR
LUFTFILTER

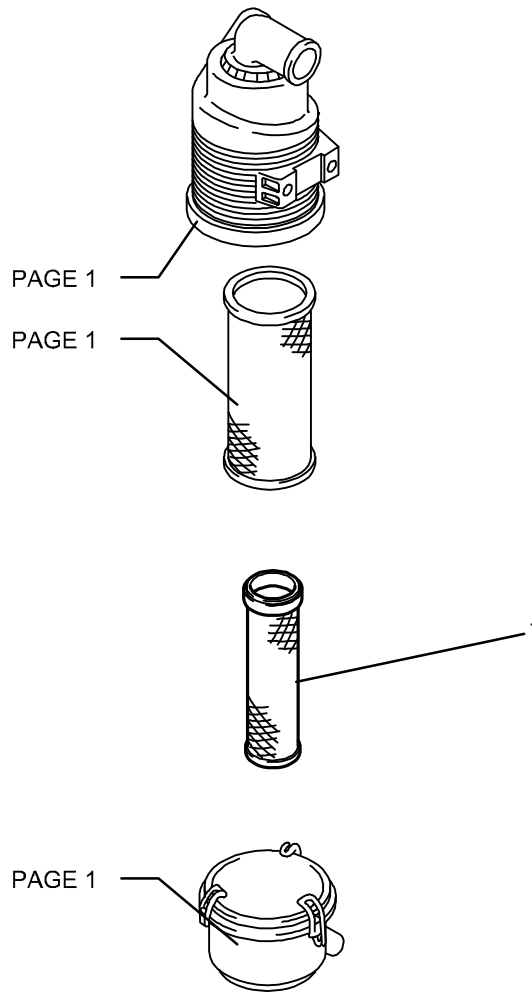
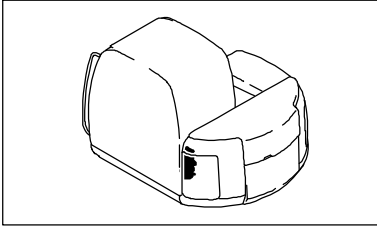


FILTRO DE AIRE

R	N	P.N.	MOD	Q	Description Denominacion	Descrizione Denominação	Description Beschrijving	Bezeichnung Beskrivelse	L.C.
1		YT11P01010P1		1	HOSE MANGA	MANICOTTO FLESSIBILE TUBO FLEXIVEL	FLEXIBLE FLEXIBELE BUIS	SCHLAUCH SLANGE	030M
2		72954503		1	HOSE MANGA	MANICOTTO FLESSIBILE TUBO FLEXIVEL	FLEXIBLE FLEXIBELE BUIS	SCHLAUCH SLANGE	030M
4		72954502		1	BRACKET PIEZA DE SOPORTE	STAFFA BRACADEIRA	PATTE FIXATION STEUNBEUGEL	KONSOLE BESLAG	225S
5		72954500		1	FILTER, AIR FILTRO DE AIRE	FILTRO ARIA FILTRO DE AR	FILTRE A AIR LUCHTFILTER	LUFTFILTER LUFTFILTER	066F
5-1		72960696		1	BODY CUERPO	CORPO CORPO	CORPS LICHAAM	KOERPER HUS	300C
5-2		72957472		1	FILTER, ELEMENT ELEMENTO DE FILTRAD	ELEMENTO DEL FILTRO ELEMENTO DE FILTRO	ELÉMENT FILTRANT FILTERELEMENT	FILTERELEMENT FILTERELEMENT	020E
5-3		72960697		1	COVER TAPADERA	COPERCHIO COBERTA	COUVERCLE DEKSEL	ABDECKUNG DÆKSEL	265C
5-4		YT11P00002S004		1	VALVE VALVULA	VALVOLA VALVULA	SOUPAPE KLEP	VENTIL VENTIL	9620
5-5		YR11P00008S005		1	INDICATOR TESTIGO	SEGNALATORE INDICADOR	INDICATEUR AANWIJZER	ZEIGER INDIKATOR	087S
5-6		YT11P00002S006		1	O-RING JUNTA HERMETICA	ANELLO TOROIDALE O-RING	JOINT THORIQUE O-RING	O-RING O-RING	055A
5-8		72960700		1	RING ANILLO	ANELLO ANEL	ANNEAU RING	RING RING	045A
7		ZC16X06100		4	CLIP SUJETADOR	FERMAGLIO FIXADOR	CLIP KLEM	KLEMME KLIPS	045F
8		ZC16X07000		2	CLIP SUJETADOR	FERMAGLIO FIXADOR	CLIP KLEM	KLEMME KLIPS	045F
9		ZS18C08016		2	SCREW, Hex, M8 x 16 TORNILLO	VITE PARAFUSO	VIS SCHROEF	SCHRAUBE SKRUE	040V
10		ZW16X08000		4	WASHER ARANDELA	ROSETTA PIANA ANILHA	RONDELLE SLUITRING	UNTERLEGSCHIEBE FLADSKIVE	131R
14		72951685		2	SCREW TORNILLO	VITE PARAFUSO	VIS SCHROEF	SCHRAUBE SKRUE	040V
15		72150953		1	PIPE CUELLO DE CARGA	TUBO TUBO DE ENCHIMENTO	TUYAU OPVULPIJP	ROHR PAAFYLDNINGSSTUDS	200T
16		72950377		1	U-BOLT HORQUILLA	CAVALLOTTO MOLA DE ENGATE	CAVALIER VEERKLEM	BÜGELSCHRAUBE HAARNAAL	100C
17		72150513		1	SPACER SEPARADOR	DISTANZIALE ESPACADOR	ENTRETOISE AFSTANDSRING	DISTANZSTÜCK AFSTANDSSTYKKE	075D
18		72150514		1	HOSE MANGA	MANICOTTO FLESSIBILE TUBO FLEXIVEL	FLEXIBLE FLEXIBELE BUIS	SCHLAUCH SLANGE	030M
19		72210038		4	NUT TUERCA	DADO PORCA	ECROU MOER	MUTTER MOETRIK	010D
21		72955191		2	TUBE TUBO	TUBETTO TUBO	TUBE BUISJE	ROHR RØR	195T
22		72957230		1	HOSE MANGA	MANICOTTO FLESSIBILE TUBO FLEXIVEL	FLEXIBLE FLEXIBELE BUIS	SCHLAUCH SLANGE	030M

E70SR

AIR CLEANER
FILTRO ARIA
FILTRE A AIR
LUFTFILTER



0.001

02

p1

02/05

FILTRO DE AIRE

R	N	P.N.	MOD	Q	Description Denominacion	Descrizione Denominação	Description Beschrijving	Bezeichnung Beskrivelse	L.C.
1		LE11P01016P1		1	FILTER FILTRO	FILTRO FILTRO	FILTRE FILTER	FILTER FILTER	065F

E70SR

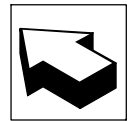
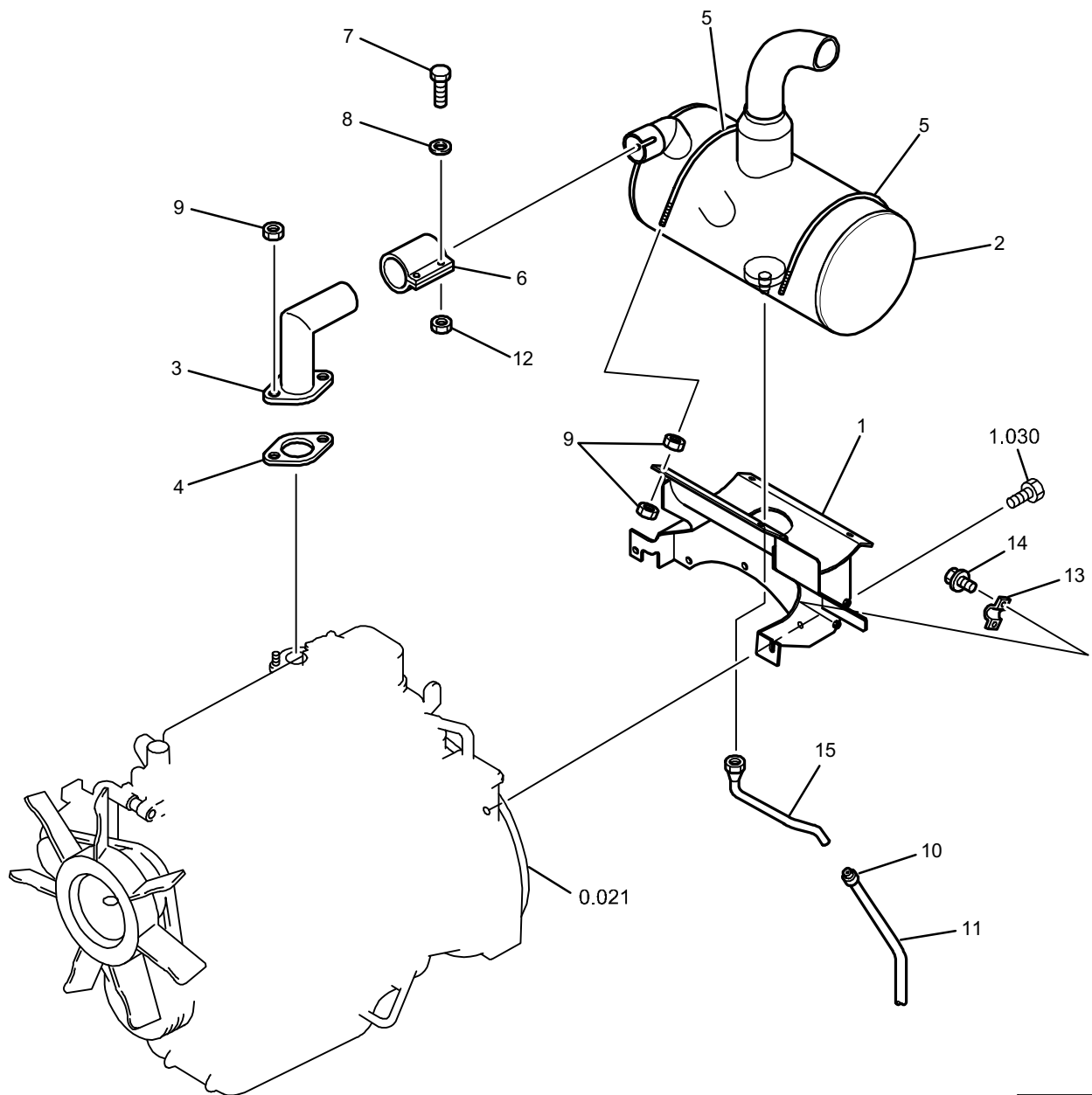
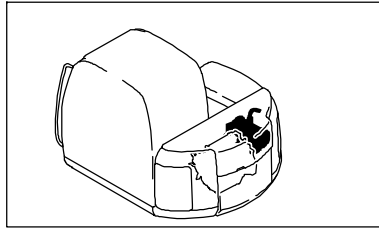
0.002

01

p1

12/05

MUFFLER
SILENZIATORE
SILENCIEUX
SCHALLDAEMPFER

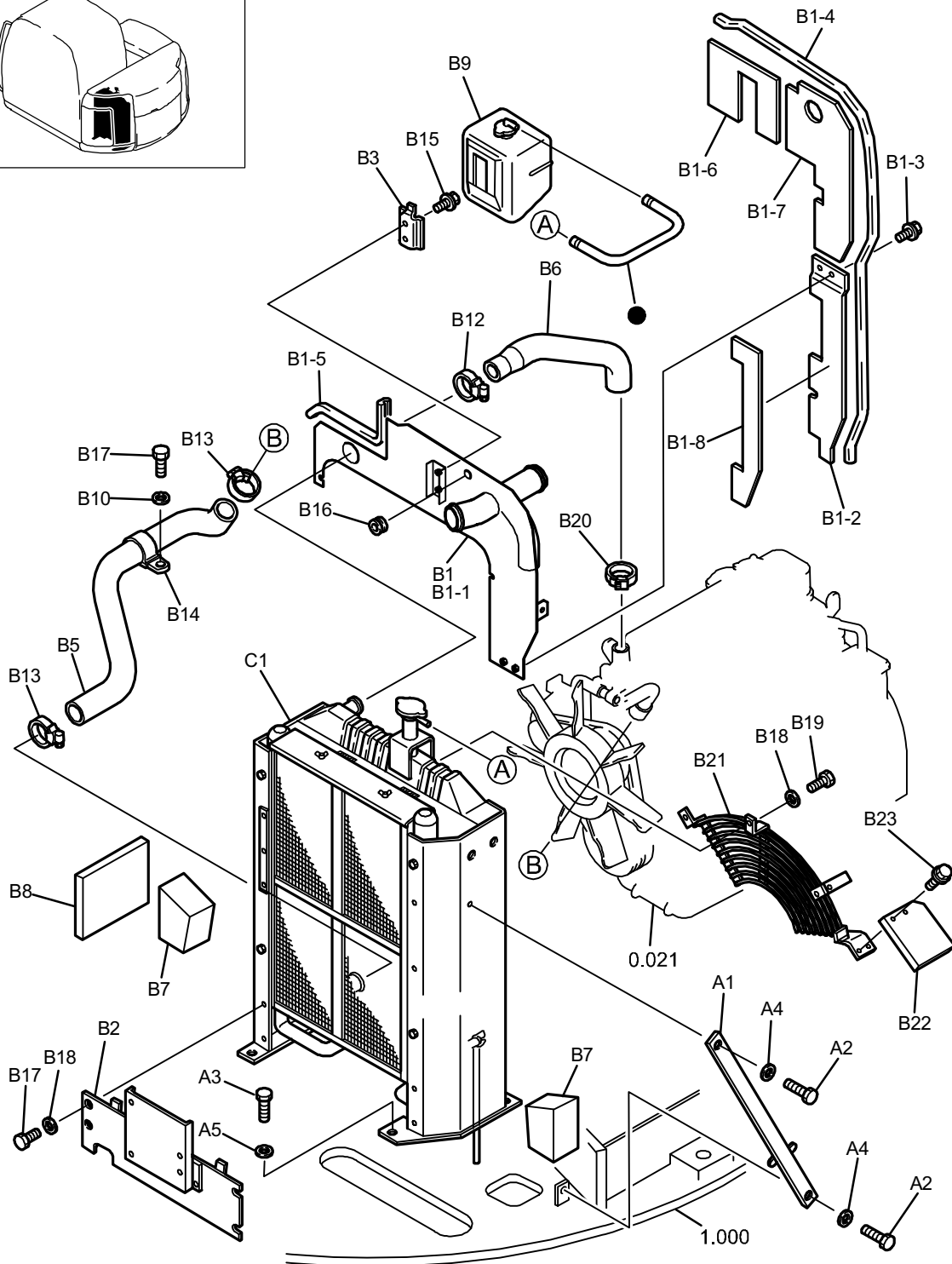
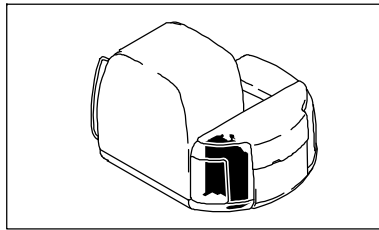


SILENCIADOR

R	N	P.N.	MOD	Q	Description Denominacion	Descrizione Denominação	Description Beschrijving	Bezeichnung Beskrivelse	L.C.
1		72150509		1	BRACKET PIEZA DE SOPORTE	STAFFA BRACADEIRA	PATTE FIXATION STEUNBEUGEL	KONSOLE BESLAG	225S
2		72150510		1	MUFFLER SILENCIADOR	SILENZIATORE SILENCIADOR	SILENCIEUX KNALPOT	SCHALLDÄMPFER LYDDAEMPER	160S
3		YT12P01003P1		1	TUBE TUBO	TUBETTO TUBO	TUBE BUISJE	ROHR RØR	195T
4		72150949		1	GASKET JUNTA HERMETICA	GUARNIZIONE JUNTA	JOINT DICHTINGSSTUK	DICHTUNG, FLACH PAKNING	123G
5		72150511		2	U-BOLT HORQUILLA	CAVALLOTTO MOLA DE ENGATE	CAVALIER VEERKLEM	BÜGELSCHRAUBE HAARNAAL	100C
6		YT12P01007P1		1	CLAMP BORNE	MORSETTO BORNE	BRIDE KLEM	KLEMME SPÆNDEBÅND	120M
7		ZS18C10035		2	SCREW TORNILLO	VITE PARAFUSO	VIS SCHROEF	SCHRAUBE SKRUE	040V
8		14496624		2	WASHER, M10 x 21 x 2 ARANDELA	ROSETTA PIANA ANILHA	RONDELLE SLUITRING	UNTERLEGSCHIEBE FLADSKIVE	131R
9		72210038		10	NUT TUERCA	DADO PORCA	ECROU MOER	MUTTER MOETRIK	010D
10		ZC16X01200		1	CLIP SUJETADOR	FERMAGLIO FIXADOR	CLIP KLEM	KLEMME KLIPS	045F
11		HX11Y07050DX		1	HOSE MANGA	MANICOTTO FLESSIBILE TUBO FLEXIVEL	FLEXIBLE FLEXIBELE BUIS	SCHLAUCH SLANGE	030M
12		ZN18C10008		2	NUT TUERCA	DADO PORCA	ECROU MOER	MUTTER MOETRIK	010D
13		72954510		1	CLAMP BORNE	MORSETTO BORNE	BRIDE KLEM	KLEMME SPÆNDEBÅND	120M
14		ZM66C06020		2	BOLT TORNILLO	BULLONE PARAFUSO	BOULON BOUT	SCHRAUBE SKRUE	140B
15		72954512		1	TUBE TUBO	TUBETTO TUBO	TUBE BUISJE	ROHR RØR	195T

E70SR

RADIATOR
RADIATORE
RADIATEUR
KÜHLER



PARTS MARKED ● ARE NOT SUPPLIED AS SPARES
I PARTICOLARI CONTRASSEGNA TI CON ● NON
VENGONO FORNITI DI RICAMBIO

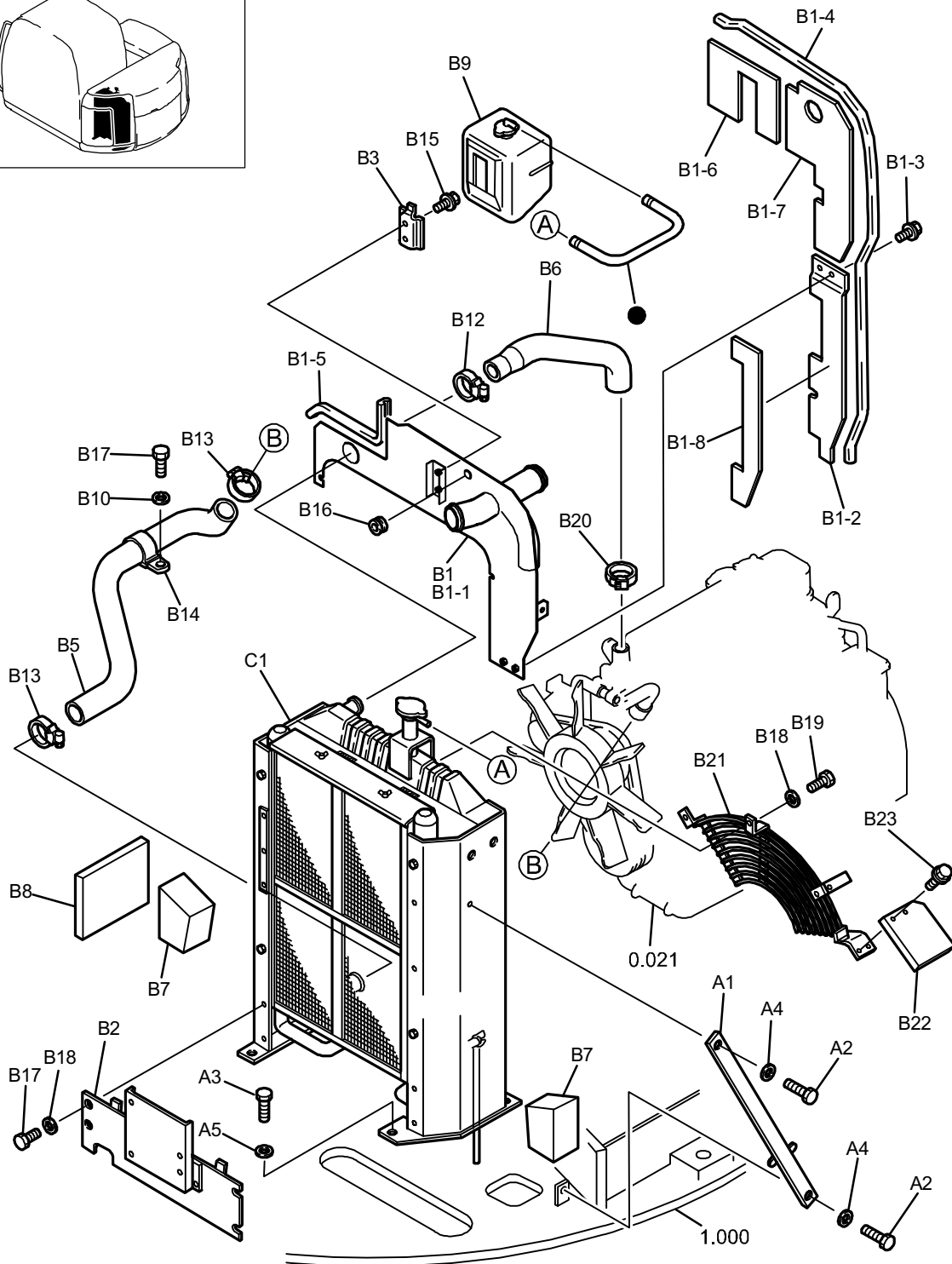
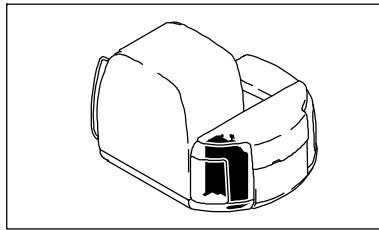


RADIADOR

R	N	P.N.	MOD	Q	Description Denominacion	Descrizione Denominação	Description Beschrijving	Bezeichnung Beskrivelse	L.C.
A1		72954485		1					P357
A2		ZS18C10025		2	SCREW, Hex, M10 x 25 TORNILLO	VITE PARAFUSO	VIS SCHROEF	SCHRAUBE SKRUE	040V
A3		ZS18C12030		4	SCREW TORNILLO	VITE PARAFUSO	VIS SCHROEF	SCHRAUBE SKRUE	040V
A4		47045385		2	WASHER ARANDELA	ROSETTA PIANA ANILHA	RONDELLE SLUITRING	UNTERLEGSCHIEBE FLADSKIVE	131R
A5		14496724		4	WASHER, M12 x 24 x 2.5 ARANDELA	ROSETTA PIANA ANILHA	RONDELLE SLUITRING	UNTERLEGSCHIEBE FLADSKIVE	131R
B1		72150503		1	BRACKET PIEZA DE SOPORTE	STAFFA BRACADEIRA	PATTE FIXATION STEUNBEUGEL	KONSOLE BESLAG	225S
B1-1		72150504		1	BRACKET PIEZA DE SOPORTE	STAFFA BRACADEIRA	PATTE FIXATION STEUNBEUGEL	KONSOLE BESLAG	225S
B1-2		72957357		1	PLATE PLACA	PIASTRA CHAPA	PLAQUE PLAAT	BLECH, PLATTE PLADE	105P
B1-3		72951648		2	SCREW TORNILLO	VITE PARAFUSO	VIS SCHROEF	SCHRAUBE SKRUE	040V
B1-4		72957341		1	WEATHERSTRIP REBORDE DE GOMA	BORDINO DI GOMMA BORRACHA DE PARABR	JOINT PAREBRISE RUBBEREN SLIJTSTRIP	DICHTSTREIFEN TÆTNINGSLISTE, GUMM	105B
B1-5		72957190		1	WEATHERSTRIP, RUBBER PERFIL DE GOMA	PROFILATO DI GOMMA PERFIL DE BORRACHA	PROFILE CAOUTCHOUC RUBBERENPROFIEL	ABDICHTGUMMI GUMMIPROFIL	216P
B1-6		72150505		1	INSULATION, FOAM ESPUMA AISLANTE	SCHIUMA ISOLANTE ESPUMA ISOLANTE	MOUSSE ISOLANTE ISOLATIESCHUIM	ISOLIERSCHAUM SKUM ISOLERING	051S
B1-7		72150506		1	INSULATION, FOAM ESPUMA AISLANTE	SCHIUMA ISOLANTE ESPUMA ISOLANTE	MOUSSE ISOLANTE ISOLATIESCHUIM	ISOLIERSCHAUM SKUM ISOLERING	051S
B1-8		72150507		1	INSULATION, FOAM ESPUMA AISLANTE	SCHIUMA ISOLANTE ESPUMA ISOLANTE	MOUSSE ISOLANTE ISOLATIESCHUIM	ISOLIERSCHAUM SKUM ISOLERING	051S
B2		72954488		1	BRACKET PIEZA DE SOPORTE	STAFFA BRACADEIRA	PATTE FIXATION STEUNBEUGEL	KONSOLE BESLAG	225S
B3		72954115		1	BRACKET PIEZA DE SOPORTE	STAFFA BRACADEIRA	PATTE FIXATION STEUNBEUGEL	KONSOLE BESLAG	225S
B5		YT05P01020P1		1	HOSE MANGA	MANICOTTO FLESSIBILE TUBO FLEXIVEL	FLEXIBLE FLEXIBELE BUIS	SCHLAUCH SLANGE	030M
B6		YT05P01045P1		1	HOSE MANGA	MANICOTTO FLESSIBILE TUBO FLEXIVEL	FLEXIBLE FLEXIBELE BUIS	SCHLAUCH SLANGE	030M
B7		72954484		2	INSULATION, FOAM ESPUMA AISLANTE	SCHIUMA ISOLANTE ESPUMA ISOLANTE	MOUSSE ISOLANTE ISOLATIESCHUIM	ISOLIERSCHAUM SKUM ISOLERING	051S
B8		72954483		1	INSULATION, FOAM ESPUMA AISLANTE	SCHIUMA ISOLANTE ESPUMA ISOLANTE	MOUSSE ISOLANTE ISOLATIESCHUIM	ISOLIERSCHAUM SKUM ISOLERING	051S
B9		YT05P01041F1		1	TANK DEPOSITO	SERBATOIO DEPOSITO	RESERVOIR TANK	TANK TANK	115S
B10		72209113		1	WASHER ARANDELA	ROSETTA PIANA ANILHA	RONDELLE SLUITRING	UNTERLEGSCHIEBE FLADSKIVE	131R
B12		ZC16X03900		1	CLIP SUJETADOR	FERMAGLIO FIXADOR	CLIP KLEM	KLEMME KLIPS	045F
B13		ZC16X04500		2	CLIP SUJETADOR	FERMAGLIO FIXADOR	CLIP KLEM	KLEMME KLIPS	045F

E70SR

RADIATOR
 RADIATORE
 RADIATEUR
 KÜHLER



PARTS MARKED ● ARE NOT SUPPLIED AS SPARES
 I PARTICOLARI CONTRASSEGNA TI CON ● NON
 VENGONO FORNITI DI RICAMBIO

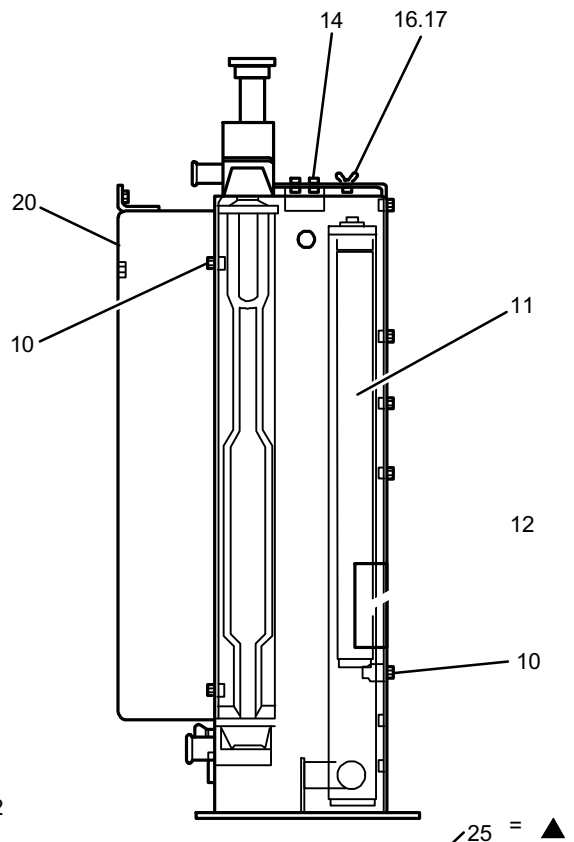
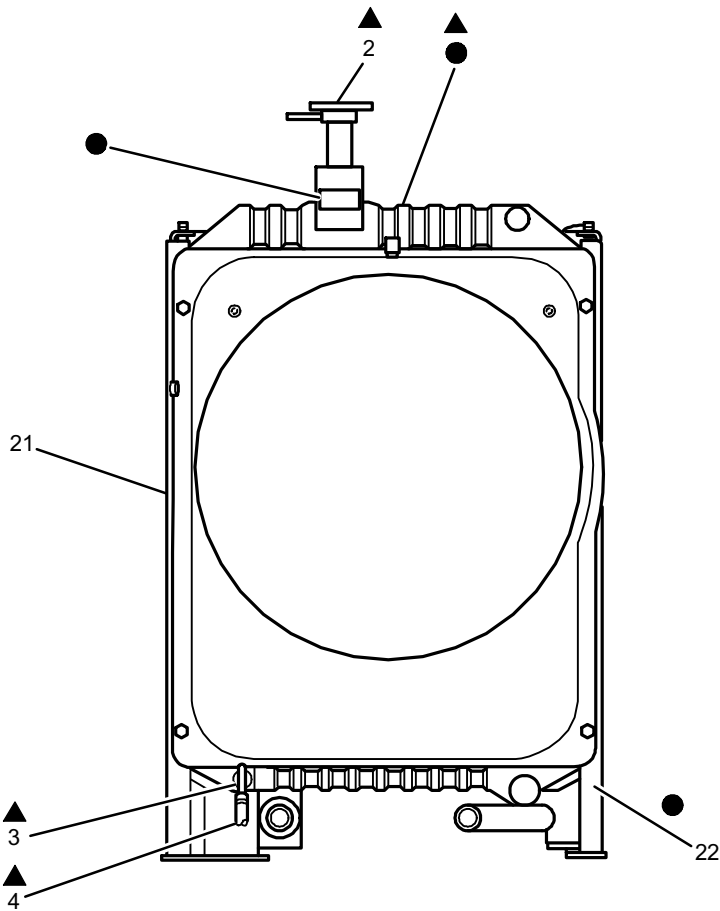
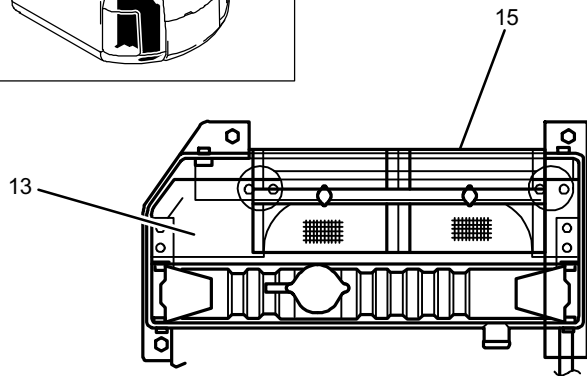
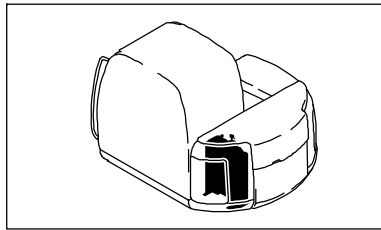


RADIADOR

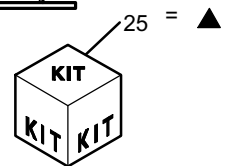
R	N	P.N.	MOD	Q	Description Denominacion	Descrizione Denominação	Description Beschrijving	Bezeichnung Beskrivelse	L.C.
B14		72954158		1	CLIP SUJETADOR	FERMAGLIO FIXADOR	CLIP KLEM	KLEMME KLIPS	045F
B15		72951648		2	SCREW TORNILLO	VITE PARAFUSO	VIS SCHROEF	SCHRAUBE SKRUE	040V
B16		72954139		1	GROMMET PASACABLES	ANELLO PASSACAVO CASQUILHO ISOLADOR	PASSE-FIL KABELDOORGANG	TÜLLE RING	131A
B17		72951685		5	SCREW TORNILLO	VITE PARAFUSO	VIS SCHROEF	SCHRAUBE SKRUE	040V
B18		{72150952}		7					
B19		ZS18C08016		3	SCREW, Hex, M8 x 16 TORNILLO	VITE PARAFUSO	VIS SCHROEF	SCHRAUBE SKRUE	040V
B20		72951591		1	CLIP SUJETADOR	FERMAGLIO FIXADOR	CLIP KLEM	KLEMME KLIPS	045F
B21		72954489		1	GUARD DEFENSA	RIPARO PROTECCAO	GARANT AFSCHERMING	SCHUTZEINRICHTUNG BESKYTTELSSESKAERM	070R
B22		72954486		1	PLATE PLACA	PIASTRA CHAPA	PLAQUE PLAAT	BLECH, PLATTE PLADE	105P
B23		ZM22C08020		2	BOLT TORNILLO	BULLONE PARAFUSO	BOULON BOUT	SCHRAUBE SKRUE	140B
C1		72150499		1	RADIATOR, - ASSY SEE PAGE 2 RADIADOR	RADIATORE ARREFECEDOR	RADIATEUR RADIATORKOELER	KÜHLER KØLER	025R

E70SR

RADIATOR - COMPONENTS
RADIATORE - COMPONENTI
RADIATEUR - COMPOSANTS
KÜHLER - BESTANDTEILE



PARTS MARKED ● ARE NOT SUPPLIED AS SPARES
I PARTICOLARI CONTRASSEGNA TI CON ● NON
VENGONO FORNITI DI RICAMBIO



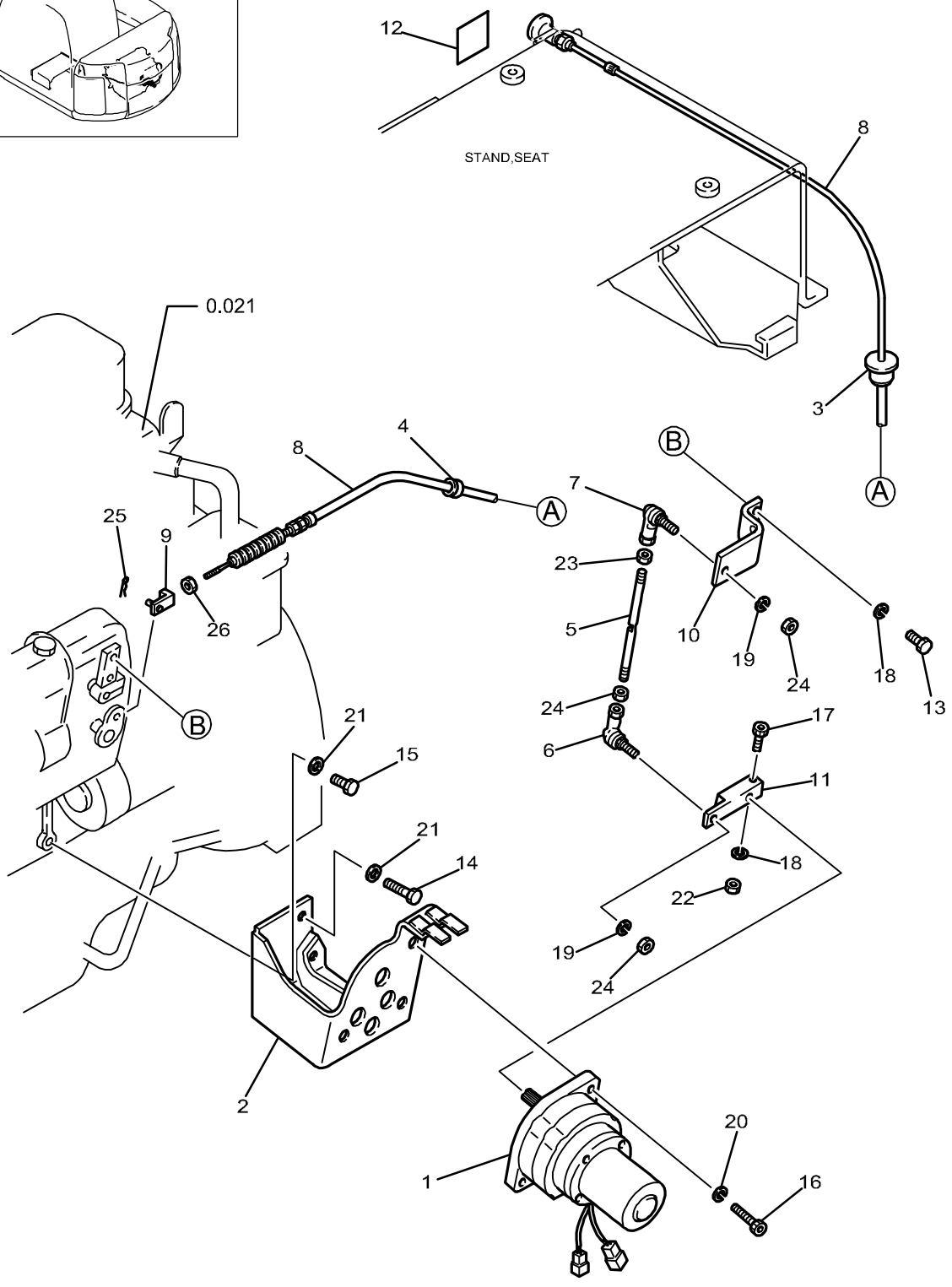
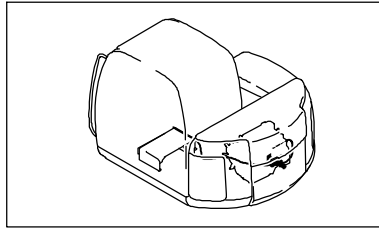
RADIADOR - COMPONENTES

R	N	P.N.	MOD	Q	Description Denominacion	Descrizione Denominação	Description Beschrijving	Bezeichnung Beskrivelse	L.C.
2		YT05P00009S002		1	CAP, RADIATOR TAPON RADIADOR	TAPPO RADIATORE TAMPAO	BOUCHON RADIATEUR RADIATOR DOP	KÜHLERVERSCHLUSSDI KOELERDAEKSEL	039T
3		72953754		1	PLUG TAPÓN	TAPPO BUJAO	BOUCHON PLUG	STOPFEN PROP	050T
4		72960365		1	HOSE MANGA	MANICOTTO FLESSIBILE TUBO FLEXIVEL	FLEXIBLE FLEXIBELE BUIS	SCHLAUCH SLANGE	030M
10		72958140		8	SCREW TORNILLO	VITE PARAFUSO	VIS SCHROEF	SCHRAUBE SKRUE	040V
11		YT05P00009S011		1	COOLER, OIL RADIADOR ACEITE	RADIATORE OLIO ARREFECEDOR	REFROIDISSEUR D'HUIIL RADIATOR	ÖLKÜHLER OLIEKØLER	026R
12		{72151247}		2					
13		72960654		1	COVER TAPADERA	COPERCHIO COBERTA	COUVERCLE DEKSEL	ABDECKUNG DÆKSEL	265C
14		72958144		4	SCREW TORNILLO	VITE PARAFUSO	VIS SCHROEF	SCHRAUBE SKRUE	040V
15		72150501		2	PANEL CONTRAPANEL	PANNELLO PAINEL	PANNEAU PANEELWERK	TAFEL PANEL	025P
16		72210213		2	SCREW TORNILLO	VITE PARAFUSO	VIS SCHROEF	SCHRAUBE SKRUE	040V
17		72958151		2	WASHER ARANDELA	ROSETTA PIANA ANILHA	RONDELLE SLUITRING	UNTERLEGSCHIEBE FLADSKIVE	131R
20		72150500		1	SHROUD BOQUILLA	RIPARO COBERTURA	BUSE SHROUD	ABDECKUNG DÆKKE	7830
21		YT05P00009S021		1	BRACKET PIEZA DE SOPORTE	STAFFA BRACADEIRA	PATTE FIXATION STEUNBEUGEL	KONSOLE BESLAG	225S
22		YT05P00009S022		1	BRACKET PIEZA DE SOPORTE	STAFFA BRACADEIRA	PATTE FIXATION STEUNBEUGEL	KONSOLE BESLAG	225S
25		YT05P00009R100		1	KIT, SERVICE KIT, SERVICE	KIT ASSISTENZIALE KIT, SERVICE	KIT ASSISTANCE KIT, SERVICE	SERVICE-KIT SERVICE SAET	021K

RADIATOR ASSY P/N 72150499

E70SR

ACCELERATOR CONTROLS
COMANDI ACCELERATORE
COMMANDES D'ACCELERATEUR
GASREGULIERUNG

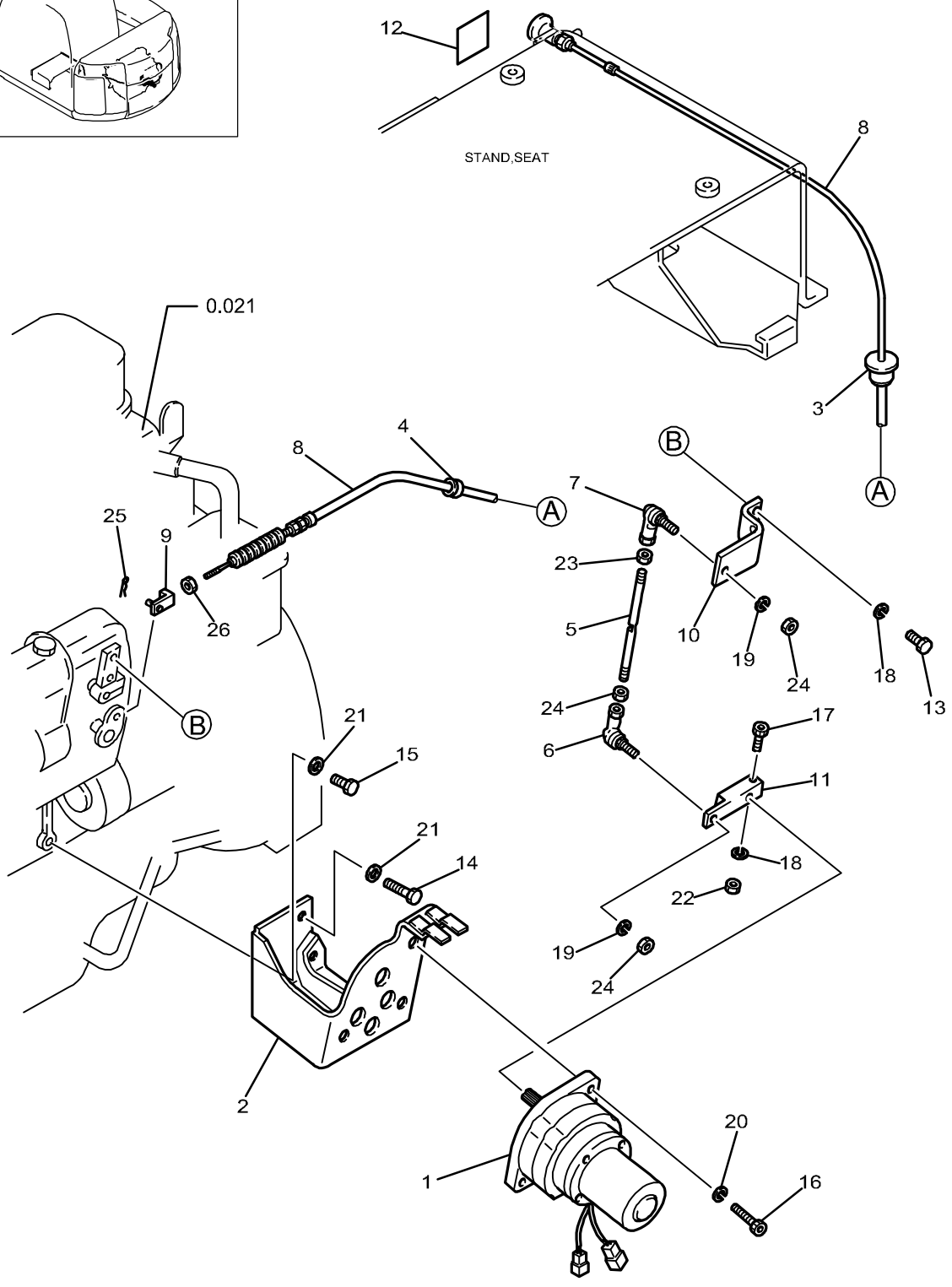
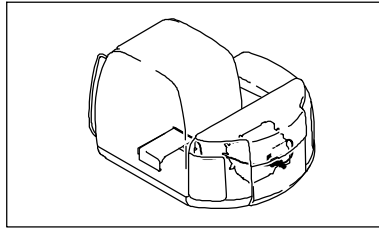


MANDOS DEL ACELERADOR

R	N	P.N.	MOD	Q	Description Denominacion	Descrizione Denominação	Description Beschrijving	Bezeichnung Beskrivelse	L.C.
1		YN20S00002F1		1	MOTOR MOTOR	MOTORE MOTOR	MOTEUR MOTOR	MOTOR MOTOR	Z560
2		72954498		1	BRACKET PIEZA DE SOPORTE	STAFFA BRACADEIRA	PATTE FIXATION STEUNBEUGEL	KONSOLE BESLAG	225S
3		YR03M01293P1		1	GROMMET PASACABLES	ANELLO PASSACAVO CASQUILHO ISOLADOR	PASSE-FIL KABELDOORGANG	TÜLLE RING	131A
4		72954314		1	GROMMET PASACABLES	ANELLO PASSACAVO CASQUILHO ISOLADOR	PASSE-FIL KABELDOORGANG	TÜLLE RING	131A
5		72954497		1	ROD VARILLA	ASTA HASTE	TRINGLE STANG	STAB STANG	090A
6		72204663		1	BALL JOINT JUNTA DE ROTULA	GIUNTO SFERICO JUNTA ESFÉRICA	ROTULE KOGELGEWRIGHT	KUGELKOPFGELENK KUGLELED	070G
7		YN11M01013D1		1	BALL JOINT JUNTA DE ROTULA	GIUNTO SFERICO JUNTA ESFÉRICA	ROTULE KOGELGEWRIGHT	KUGELKOPFGELENK KUGLELED	070G
8		YT11M01011P2		1	CABLE CABLE	CAVO CABO	CABLE KABEL	KABEL KABEL	650C
9		72954499		1	PIN PERNO	PERNO PERNO	AXE PEN	BOLZEN STIFT	080P
10		72954496		1	LEVER PALANCA	LEVA ALAVANCA	LEVIER HEFBOOM	HEBEL HAANDTAG	045L
11		72954276		1	LEVER PALANCA	LEVA ALAVANCA	LEVIER HEFBOOM	HEBEL HAANDTAG	045L
12		72954159		1	LABEL ETIQUETA	ETICHETTA ETIQUETA	ETIQUETTE ETIKET	ETIKETTE ETIKET	077E
13		ZS18C06016		2	SCREW TORNILLO	VITE PARAFUSO	VIS SCHROEF	SCHRAUBE SKRUE	040V
14		ZS18F10020		2	BOLT TORNILLO	BULLONE PARAFUSO	BOULON BOUT	SCHRAUBE SKRUE	140B
15		72954885		1	SCREW TORNILLO	VITE PARAFUSO	VIS SCHROEF	SCHRAUBE SKRUE	040V
16		ZS28C10035		3	CAP TAPON DEL DEPOSITO	TAPPO SERBATOIO TAMPAO DE RESERVAT	CHAPEAU RESERVOIRDOP	ABDECKAPPE TANKDAEKSEL	052T
17		72954892		1	SCREW TORNILLO	VITE PARAFUSO	VIS SCHROEF	SCHRAUBE SKRUE	040V
18		12601279		3	WASHER, Wave, M6.4 ARANDELA	ROSETTA PIANA ANILHA	RONDELLE SLUITRING	UNTERLEGSCHIEBE FLADSKIVE	131R
19		ZW26X08000		2	WASHER ARANDELA	ROSETTA PIANA ANILHA	RONDELLE SLUITRING	UNTERLEGSCHIEBE FLADSKIVE	131R
20		ZW26K10000		3	WASHER ARANDELA	ROSETTA PIANA ANILHA	RONDELLE SLUITRING	UNTERLEGSCHIEBE FLADSKIVE	131R
21		47045385		3	WASHER ARANDELA	ROSETTA PIANA ANILHA	RONDELLE SLUITRING	UNTERLEGSCHIEBE FLADSKIVE	131R
22		ZN18C06005		1	NUT TUERCA	DADO PORCA	ECROU MOER	MUTTER MOETRIK	010D
23		2420T7359		1	NUT TUERCA	DADO PORCA	ECROU MOER	MUTTER MOETRIK	010D
24		72210038		3	NUT TUERCA	DADO PORCA	ECROU MOER	MUTTER MOETRIK	010D

E70SR

ACCELERATOR CONTROLS
COMANDI ACCELERATORE
COMMANDES D'ACCELERATEUR
GASREGULIERUNG



Thank you so much for reading.
Please click the “Buy Now!”
button below to download the
complete manual.



After you pay.

You can download the most
perfect and complete manual in
the world immediately.

Our support email:

ebooklibonline@outlook.com