

PARTS CATALOG

Product Line

**CATALOGO PARTI
DI RICAMBIO**

Model LS185.B

**CATALOGUE DES PIECES
DETACHEES**

ERSATZTEILKATALOG

**CATÁLOGO DES PIEZAS
DE REPUESTO**

**CATÁLOGO DE PEÇAS
SOBRESSALENTES**

ONDERDELENLIJST

RESERVEDELSKATALOG

CATALOGUE n. 604.04.323.00
1st Edition 05 - 2005

 **NEW HOLLAND**

TABLE OF CONTENTS

02-01	RADIATOR - COOLANT RECOVERY SYSTEM
02-02	FAN - FAN BELT
02-03	EXHAUST SYSTEM
02-03A	MUFFLER - ASPIRATED
02-04	AIR CLEANER - ENGINE
02-05	ENGINE - MOUNTING
02-06	OIL FILL, ENGINE
02-07	ENGINE - BLOCK HEATER
02-07A	GRID HEATER
02-08	ENGINE
02-09	CYLINDER BLOCK
02-10	CYLINDER BLOCK
02-11	OIL PUMP, PAN
02-12	CYLINDER BLOCK - COVERS
02-13	BREATHER - ENGINE
02-14	CYLINDER HEAD
02-15	CYLINDER HEAD - COVERS
02-16	CYLINDER HEAD - VALVE MECHANISM
02-17	INTAKE MANIFOLD
02-18	EXHAUST MANIFOLD
02-19	CRANKSHAFT
02-20	CONNECTING ROD
02-21	PISTON - ENGINE
02-22	FLYWHEEL - ENGINE
02-23	PULLEY - CRANKSHAFT
02-24	CAMSHAFT - TIMING CONTROL
02-25	TURBOCHARGER
02-26	ENGINE, OIL
02-27	OIL PUMP - ENGINE
02-28	OIL FILTERS - ENGINE
02-29	PIPING - ENGINE OIL
02-30	OIL FILTER AND COOLER
02-31	WATER PUMP
02-32	COOLING SYSTEM - ENGINE
02-33	THERMOSTAT - ENGINE COOLING SYSTEM
02-34	WATER PUMP - CONTROL
02-35	FAN DRIVE
02-36	POWER TAKE OFF
02-37	ENGINE - LIFT HOOK
03-01	FUEL TANK
03-02	CONTROLS - THROTTLE
03-03	FUEL INJECTION PUMP
03-04	FUEL INJECTION SYSTEM - INJECTOR
03-05	INJECTION PUMP - CONTROL
03-06	FUEL INJECTION SYSTEM
03-07	FUEL INJECTION SYSTEM
03-08	FUEL FILTER
03-09	FUEL PUMP
03-10	FUEL INJECTION SYSTEM
03-11	FUEL INJECTION SYSTEM
04-01	STARTER MOUNTING - ALTERNATOR MOUNTING
04-01A	ALTERNATOR
04-02	BATTERY - CABLES
04-03	ELECTRIC, CAB (NORTH AMERICAN)
04-03A	ELECTRIC, CAB (EUROPE)

TABLE OF CONTENTS

04-04	ELECTRIC, CAB - 4-WAY FLASHERS
04-05	ELECTRIC, ENGINE
04-06	ELECTRIC, MAIN
04-07	ELECTRIC, MAIN
04-08	ELECTRIC, CHASSIS
04-09	ELECTRIC, MOUNTING PLATE
04-10	BACKUP ALARM
04-11	HORN AND TURN SIGNAL
04-12	REMOTE JUMP START
04-13	ELECTRIC POWER KIT
04-14	WARNING BEACON LIGHT
04-15	REAR LIGHT BAR, ON-ROAD, EUROPE
04-16	BOOM, ON ROAD, EUROPE
04-17	FRONT HEADLAMP, ON-ROAD, EUROPE
06-01	PUMP, TANDEM - MOUNTING (LS185.B)
06-01A	PUMP, TANDEM - MOUNTING (LT185.B)
06-02	HYDROSTATICS - TANDEM PUMP (LS185.B)
06-02A	HYDROSTATICS - TANDEM PUMP (LT185.B)
06-03	HYDROSTATICS - PUMP TO MANIFOLD (LS185.B)
06-03A	HYDROSTATICS - DRIVE MOTORS TO MANIFOLD (LT185.B)
06-04	HYDROSTATICS - TWO SPEED (LS185.B)
06-04A	HYDROSTATICS - TWO SPEED (LT185.B)
06-05	HYDROSTATICS - TWO SPEED, VALVE ASSY
06-06	PUMP, GEAR
06-07	PUMP, GEAR (HIGH FLOW)
06-08	MOTOR ASSY - SINGLE SPEED
06-09	MOTOR ASSY - SINGLE SPEED
06-10	MOTOR ASSY - SINGLE SPEED
06-11	MOTOR ASSY - TWO SPEED
06-12	MOTOR ASSY - TWO SPEED
06-13	MOTOR ASSY - TWO SPEED
06-14	PUMP, TANDEM
06-15	PUMP, TANDEM
06-16	PUMP, TANDEM
06-17	PUMP, TANDEM
06-18	PUMP, TANDEM
06-19	PUMP, TANDEM
06-20	FINAL DRIVE (LS185.B)
06-20A	FINAL DRIVE (LT185.B)
06-21	TRANSMISSION CENTERING
06-22	WHEELS
06-22A	TRACK (LT185.B)
07-01	BRAKE SYSTEM - HYDRAULIC
07-02	BRAKE, ON-ROAD, EUROPE
08-01	CONTROL VALVE
08-02	HYDRAULICS - CONTROL VALVE
08-03	BUCKET HYDRAULICS, STANDARD
08-04	HYDRAULICS - BUCKET, HIGH FLOW
08-05	HYDRAULICS - BOOM, STANDARD
08-06	HYDRAULICS - BOOM, HIGH FLOW
08-07	HYDRAULICS - HIGH FLOW
08-08	HYDRAULICS - HIGH FLOW
08-09	HYDRAULIC OIL COOLER - HIGH FLOW
08-10	VALVE ASSY, CONTROL - HAND CONTROL
08-11	VALVE ASSY, CONTROL - FOOT CONTROL

TABLE OF CONTENTS

08-11A	VALVE ASSY, CONTROL - SEAL REPLACEMENT KITS
08-12	VALVE ASSY, HIGH FLOW
08-13	HYDRAULICS - MOUNTING PLATE
08-14	VALVE ASSY - MOUNTING PLATE
08-15	HYDRAULICS - MOUNTING PLATE, WITHOUT HIGH FLOW
08-16	HYDRAULICS - MOUNTING PLATE, HIGH FLOW
08-17	CYLINDER ASSY - MOUNTING PLATE
08-18	BUCKET CYLINDER
08-19	BOOM CYLINDER
08-20	FILTER AND RESERVOIR
08-21	FILTER ASSY
08-22	CONNECT UNDER PRESSURE COUPLERS
09-01	CHASSIS (LS185.B)
09-01A	CHASSIS (LT185.B)
09-02	PLATES, FLOOR
09-02A	FIRE EXTINGUISHER & INSIDE REAR-VIEW MIRROR
09-03	MOUNTING PLATE
09-04	BOOM (LS185.B NA)
09-04A	BOOM (EUROPE)
09-04B	BOOM (LT185.B)
09-05	BOOM LOCK
09-06	BUCKETS - LOADER, DIRT / FOUNDRY
09-07	BUCKETS - LOADER, EXTENDED LOW PROFILE
09-08	BUCKETS - LOADER, UTILITY / LIGHT MATERIAL
09-09	BUCKETS - LOADER, MANURE / SLURRY
09-09A	BUCKET, CUTTING EDGE
09-09B	SPILL GUARD
09-10	PALLET FORK
09-11	FENDERS
09-11A	REAR FENDERS
09-12	CAB
09-13	THRESHOLD - REAR WINDOW
09-14	CAB - WINDOWS
09-15	CAB DOOR
09-16	CAB DOOR - WIPER
09-17	CAB DOOR
09-17A	DOOR - SWITCH ASSY
09-18	DEMOLITION DOOR
09-19	DOOR, REAR
09-20	REAR HOOD
09-21	CAB HEADLINER
09-22	HEADLINER, CAB HEATER
09-23	HEATER SYSTEM
09-24	CAB HEATER
09-25	HEATER AND AIR CONDITIONING
09-26	COMPRESSOR - CONDENSER, MODELS WITH AIR CONDITIONING
09-27	HEADLINER, MODELS WITH AIR CONDITIONING
09-28	AIR CONDITIONING ASSY
09-29	HAND CONTROL - LEVERS
09-30	HAND CONTROL - KICK PANEL
09-31	HAND CONTROL - KICK PANEL
09-32	HAND CONTROL - TUNNEL COMPONENTS
09-33	HAND CONTROL - PEDALS
09-34	FOOT CONTROL - KICK PANEL
09-35	FOOT CONTROL - LEVERS

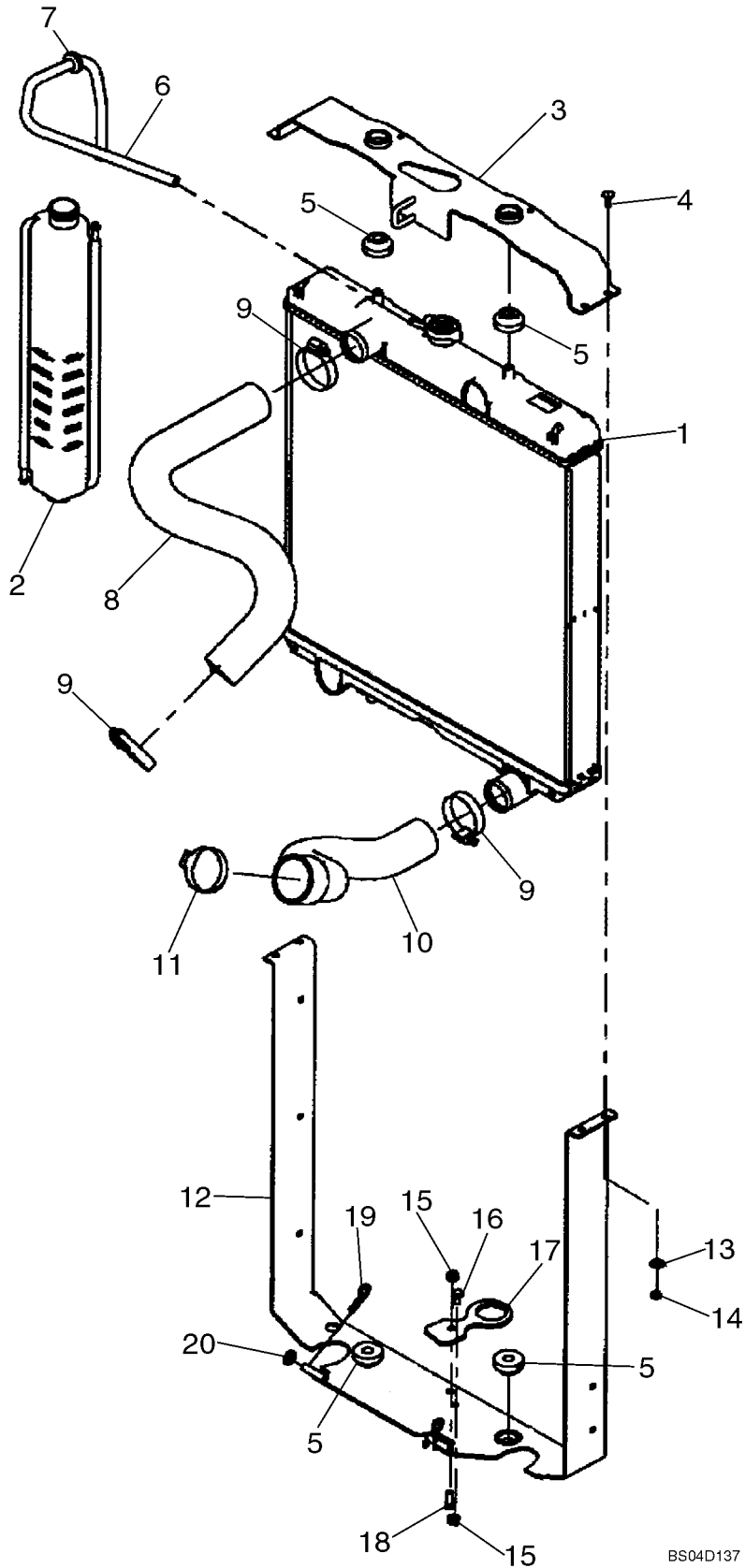
TABLE OF CONTENTS

09-36	FOOT CONTROL - KICK PANEL, RIGHT HAND
09-37	FOOT CONTROL - KICK PANEL, LEFT HAND
09-38	MULTIFUNCTION HANDLE - RIGHT HAND
09-38A	MULTI-FUNCTION HANDLE, LH
09-38B	MULTIFUNCTION HANDLE - CONTROL
09-39	STANDARD HANDLE - RIGHT HAND, TWO SPEED
09-40	PEDAL ASSY
09-41	SEAT ASSY, STANDARD
09-41A	SEAT ASSY, STANDARD
09-42	SEAT ASSY, SUSPENSION
09-42A	SEAT ASSY, SUSPENSION
09-43	SEAT BELT, STANDARD
09-44	SEAT BELT
09-44A	SEAT BELTS, OPTIONAL
09-45	FOREARM REST
09-46	COUNTERWEIGHT
09-46A	SLOW MOVING VEHICLE EMBLEM KIT
09-46B	CAB JACK KIT
09-47	DECALS - MODEL
09-47A	DECALS - MODEL (EUROPE)
09-47B	DECALS - MODEL (LT185.B)
09-48	DECALS
09-49	DECALS
09-50	DECALS
09-51	DECALS (EUROPE)
09-52	DECALS (LT185.B)

SECTION INDEX

02-01	RADIATOR - COOLANT RECOVERY SYSTEM
02-02	FAN - FAN BELT
02-03	EXHAUST SYSTEM
02-03A	MUFFLER - ASPIRATED
02-04	AIR CLEANER - ENGINE
02-05	ENGINE - MOUNTING
02-06	OIL FILL, ENGINE
02-07	ENGINE - BLOCK HEATER
02-07A	GRID HEATER
02-08	ENGINE
02-09	CYLINDER BLOCK
02-10	CYLINDER BLOCK
02-11	OIL PUMP, PAN
02-12	CYLINDER BLOCK - COVERS
02-13	BREATHER - ENGINE
02-14	CYLINDER HEAD
02-15	CYLINDER HEAD - COVERS
02-16	CYLINDER HEAD - VALVE MECHANISM
02-17	INTAKE MANIFOLD
02-18	EXHAUST MANIFOLD
02-19	CRANKSHAFT
02-20	CONNECTING ROD
02-21	PISTON - ENGINE
02-22	FLYWHEEL - ENGINE
02-23	PULLEY - CRANKSHAFT
02-24	CAMSHAFT - TIMING CONTROL
02-25	TURBOCHARGER
02-26	ENGINE, OIL
02-27	OIL PUMP - ENGINE
02-28	OIL FILTERS - ENGINE
02-29	PIPING - ENGINE OIL
02-30	OIL FILTER AND COOLER
02-31	WATER PUMP
02-32	COOLING SYSTEM - ENGINE
02-33	THERMOSTAT - ENGINE COOLING SYSTEM
02-34	WATER PUMP - CONTROL
02-35	FAN DRIVE
02-36	POWER TAKE OFF
02-37	ENGINE - LIFT HOOK

RADIATOR - COOLANT RECOVERY SYSTEM
 RADIATORE - SISTEMA DI RECUPERO DEL REFRIGERANTE
 RADIATEUR - CIRCUIT DE RECUPERATION DU LIQUIDE DE REFROIDISS
 KÜHLER - KÜHLMITTEL-RÜCKGEWINNUNGSSYSTEM



RADIADOR - SISTEMA DE RECUPERACION DEL REFRIGERANTE
RADIADOR - SISTEMA DE RECUPERAÇÃO DO FLUIDO DE REFRIGERAÇÃO
RADIATOR - KOELVLOEISTOFOPVANGSYSTEEM
KØLER - KØLEMIDDELGENINDVINDINGSSYSTEM

R	N	P.N.	MOD	Q	Description Denominacion	Descrizione Denominação	Description Beschrijving	Bezeichnung Beskrivelse	L.C.
1		{87013856}		1	RADIATOR Incl. 1A, 1B RADIADOR	RADIATORE ARREFECEDOR	RADIATEUR RADIATORKOELER	KÜHLER KØLER	025R
1A		87032485		1	FITTING Drain; Not Illustrated	RACCORDO	RACCORD	ANSCHLUSSSTÜCK	3300
					CONEXION	CONEXAO	FITTING	FITTING	
1B		87032486		1	CAP, RADIATOR Not Illustrated	TAPPO RADIATORE	BOUCHON RADIATEUR	KÜHLERDECKEL	039T
					TAPON RADIADOR	TAMPAO	RADIATORDOP	KOELERDAEKSEL	
2		87020980		1	RESERVOIR, COOLANT EXPNSN Incl. Cap 257884A1	SERBATOIO A DEPRESSE	RESERVOIR DEPRESSE	KÜHLMITTELAUSGLEICH	117S
					DEPOSITO DE VACIO	DEPOSITO DE VACUO	VACUUMTANK	VAKUMTANK	
		{257884A1}		1	PLUG	TAPPO	BOUCHON	STOPFEN	6400
					TAPÓN	BUJAO	PLUG	PROP	
3		87459340		1	FRAME Upper Radiator; Replaces 87024337; Component Parts Not Serviced Separately	INTELAIATURA	CHASSIS	RAHMENGESTELL	072I
					ESTRUCTURA	CHASSIS	KADER	CHASSIS	
4		80280638		4	BOLT 1/4 x 3/4	BULLONE	BOULON	SCHAUBENBOLZEN	140B
					TORNILLO	PARAFUSO	BOUT	SKRUE	
5		87017045		4	CUSHION	CUSCINO	COUSSIN	POLSTER	2460
					COJIN	COXIM	CUSHION	PUDE	
6		87044030		1	HOSE Coolant Recovery	MANICOTTO FLESSIBILE	FLEXIBLE	SCHLAUCH	030M
					MANGA	TUBO FLEXIVEL	FLEXIBELE BUIS	SLANGE	
7		86502507		1	GROMMET 5/8 ID	ANELLO PASSACAVO	PASSE-FIL	TÜLLE	131A
					PASACABLES	CASQUILHO ISOLADOR	KABELDOORGANG	RING	
8		87038470		1	HOSE, LARGE Upper Radiator	TUBO FLESSIBILE,GRDE	Durite	SCHLAUCH, GROSS	Z336
					Manguito	MANGOTE	HOSE, LARGE	HOSE, LARGE	
9		86050202		3	CLIP, HOSE	COLLARE	COLLIER	SCHLAUCHKLEMME	180C
					COLLAR	COLAR	BUISKLEM	KRAVE	
10		87038471		1	HOSE, LARGE Lower Radiator	TUBO FLESSIBILE,GRDE	Durite	SCHLAUCH, GROSS	Z336
					Manguito	MANGOTE	HOSE, LARGE	HOSE, LARGE	
11		80045014		1	CLAMP	MORSETTO	BRIDE	KLEMME	120M
					BORNE	BORNE	KLEM	SPÆNDEBÅND	
12		87459339		1	FRAME Lower Radiator; Replaces 87038962	INTELAIATURA	CHASSIS	RAHMENGESTELL	072I
					ESTRUCTURA	CHASSIS	KADER	CHASSIS	
13		80322357		4	WASHER, LOCK Belleville, M6	ROSETTA DI SICUREZZA	RONDELLE FREIN	SPRENGRING	132R
					ARANDELA DE FRENO	ANILHA DE FIXACAO	VEERRING	LAASESKIVE	
14		80007770		4	NUT 1/4	DADO	ECROU	MUTTER	010D
					TUERCA	PORCA	MOER	MOETRIK	
15		80280736		2	NUT, LOCK 5/16	CONTRODADO	CONTRE-ECROU	KONTERMUTTER	P263
					CONTRA TUERCA	CONTRA PORCA	NUT, LOCK	NUT, LOCK	
16		80088574		1	SCREW 5/16 x 1/2	VITE	VIS	SCHRAUBE	040V
					TORNILLO	PARAFUSO	SCHROEF	SKRUE	
17		87038914		1	PLATE Pull	PIASTRA	PLAQUE	PLATTE	105P
					PLACA	CHAPA	PLAAT	PLADE	

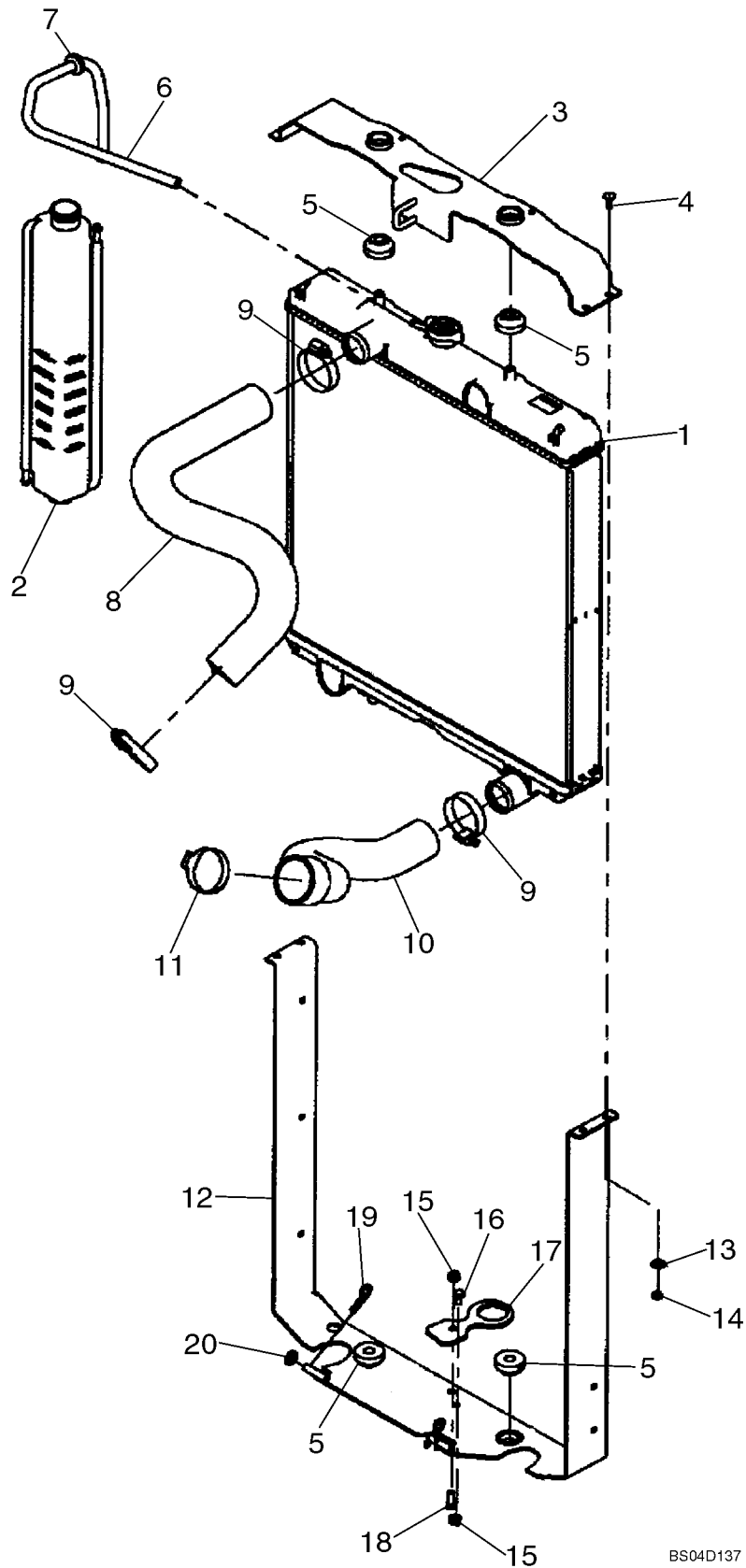
LS185.B LT185.B

RADIATOR - COOLANT RECOVERY SYSTEM

RADIATORE - SISTEMA DI RECUPERO DEL REFRIGERANTE

RADIATEUR - CIRCUIT DE RECUPERATION DU LIQUIDE DE REFROIDISS

KÜHLER - KÜHLMITTEL-RÜCKGEWINNUNGSSYSTEM

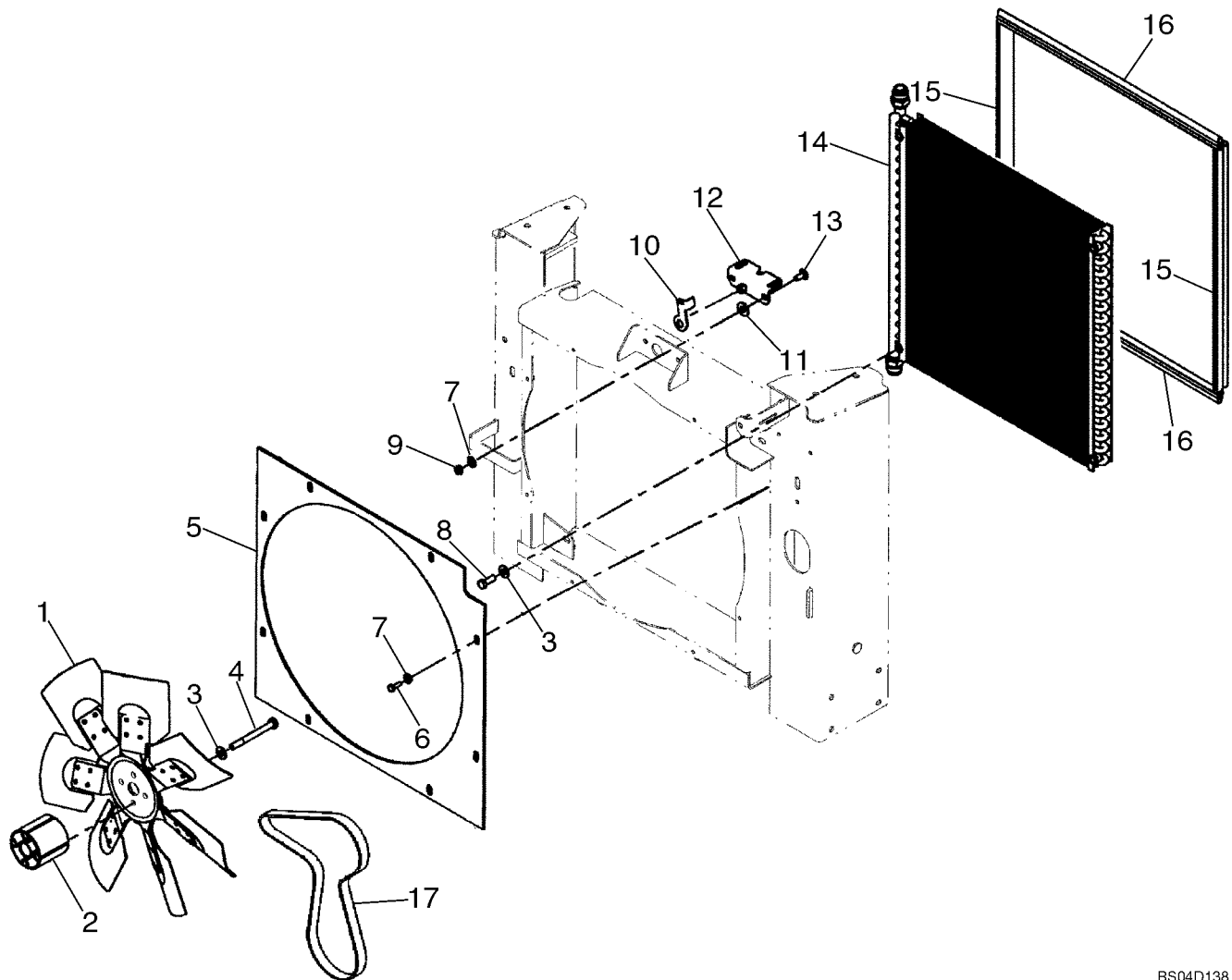


RADIADOR - SISTEMA DE RECUPERACION DEL REFRIGERANTE
 RADIADOR - SISTEMA DE RECUPERAÇÃO DO FLUIDO DE REFRIGERAÇ
 RADIATOR - KOELVLOEISTOFOPVANGSYSTEEM
 KØLER - KØLEMIDDELGENINDVINDINGSSYSTEM

R	N	P.N.	MOD	Q	Description Denominacion	Descrizione Denominação	Description Beschrijving	Bezeichnung Beskrivelse	L.C.
18		80087872		1	SCREW 5/16 x 3/4 TORNILLO	VITE PARAFUSO	VIS SCHROEF	SCHRAUBE SKRUE	040V
19		80216698		2	PIN, SPLIT (COTTER) PASADOR ABIERTO	COPPIGLIA TROCO DE ABRIR	GOUPILLE SPLITPEN	SPLINT SPLITBOLT	270C
20		86624176		2	WASHER 11 x 20 x 2 mm ARANDELA	ROSETTA PIANA ANILHA	RONDELLE SLUITRING	BEILAGSCHEIBE FLADSKIVE	131R

LS185.B LT185.B

FAN - FAN BELT
VENTILATORE - CINGHIA DEL VENTILATORE
VENTILATEUR - COURROIE DU VENTILATEUR
LÜFTER - LÜFTERRIEMEN

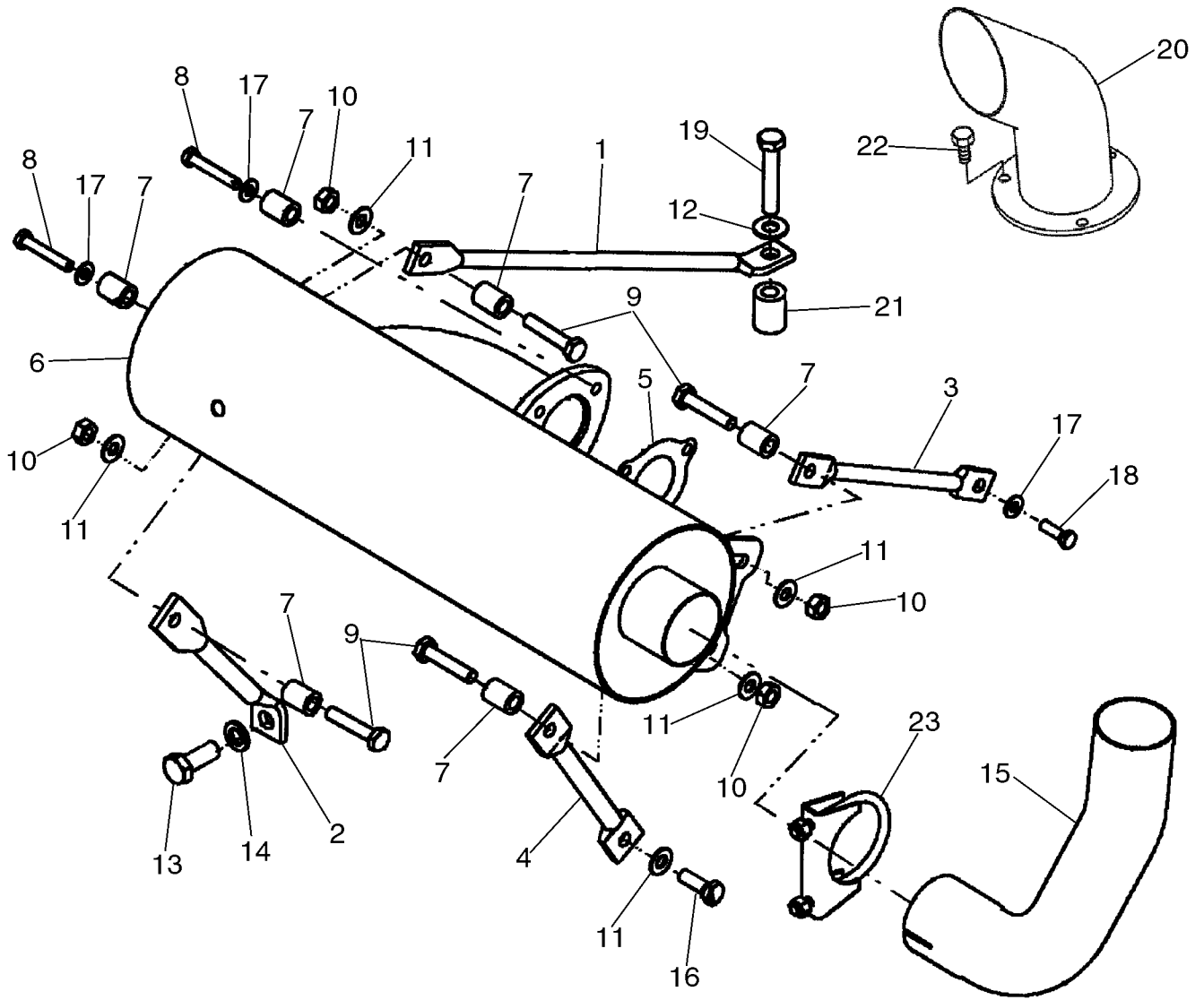


VENTILADOR - CORREA DEL VENTILADOR
 VENTONHA - CORREIA DO VENTILADOR
 VENTILATOR - VENTILATORRIEM
 VENTILATOR - VENTILATORREM

R	N	P.N.	MOD	Q	Description Denominacion	Descrizione Denominação	Description Beschrijving	Bezeichnung Beskrivelse	L.C.
1		{87025470}		1	FAN 480 dia VENTILADOR	VENTILATORE VENTONHA	VENTILATEUR VENTILATOR	LÜFTER VENTILATOR	030V
2		87780364		1	SPACER Fan SEPARADOR	DISTANZIALE ESPACADOR	ENTRETOISE AFSTANDSRING	DISTANZSTÜCK AFSTANDSSTYKKE	075D
3		80140045		8	WASHER, LOCK ARANDELA DE FRENO	ROSETTA DI SICUREZZA/ ANILHA DE FIXACAO	RONDELLE FREIN VEERRING	SPRENGRING LAASESKIVE	132R
4		80120075		4	SCREW M10 x 100 TORNILLO	VITE PARAFUSO	VIS SCHROEF	SCHRAUBE SKRUE	040V
5		87051585		1	SHROUD Replaces 87022919	RIPARO	BUSE	ABSCHIRMUNG	7830
6		89707580		8	BOQUILLA SCREW 1/4 x 3/4 TORNILLO	COBERTURA VITE PARAFUSO	SHROUD VIS SCHROEF	DÆKKE SCHRAUBE SKRUE	040V
7		80322357		8	WASHER, LOCK Belleville, M6	ROSETTA DI SICUREZZA/ ANILHA DE FIXACAO	RONDELLE FREIN VEERRING	SPRENGRING LAASESKIVE	132R
7A		80140040		8	WASHER Used with Ref 6, 7; If Used	ROSETTA PIANA ANILHA	RONDELLE SLUITRING	BEILAGSCHEIBE FLADSKIVE	131R
8		80088206		4	SCREW 3/8 x 1 TORNILLO	VITE PARAFUSO	VIS SCHROEF	SCHRAUBE SKRUE	040V
9		89635082		2	NUT 5/16 TUERCA	DADO PORCA	ECROU MOER	MUTTER MOETRIK	010D
10		87017116		1	LEVER Assy PALANCA	LEVA ALAVANCA	LEVIER HEFBOOM	HEBEL HAANDTAG	045L
11		80080702		2	WASHER 3/8 ARANDELA	ROSETTA PIANA ANILHA	RONDELLE SLUITRING	BEILAGSCHEIBE FLADSKIVE	131R
12		84015292		1	LOCK CERRADURA	SERRATURA FECHADURA	SERRURE SLOT	SCHLOSS LAAS	120S
13		80280497		2	BOLT 5/16 x 3/4 TORNILLO	BULLONE PARAFUSO	BOULON BOUT	SCHAUBENBOLZEN SKRUE	140B
14		87032488		1	COOLER Oil ENFRIADOR	REFRIGERATORE RADIADOR	REFROIDISSEUR COOLER	KÜHLER KØLER	2130
15		87026112		2	SEAL ANILLO DE CIERRE	ANELLO DI TENUTA ANEL DE VEDACAO	JOINT DICHTINGSRING	DICHTUNG PAKNINGSRING	132A
16		87016847		2	SEAL ANILLO DE CIERRE	ANELLO DI TENUTA ANEL DE VEDACAO	JOINT DICHTINGSRING	DICHTUNG PAKNINGSRING	132A
17		86982450		1	V-BELT CORREA TRAPEZOIDAL	CINGHIA, TRAPEZ CORREIA V	COURROIE TRAPEZOID. V-BELT	KEILRIEMEN V-BELT	Z087

LS185.B LT185.B

EXHAUST SYSTEM
IMPIANTO DI SCARICO
ECHAPPEMENT
AUSPUFFSYSTEM

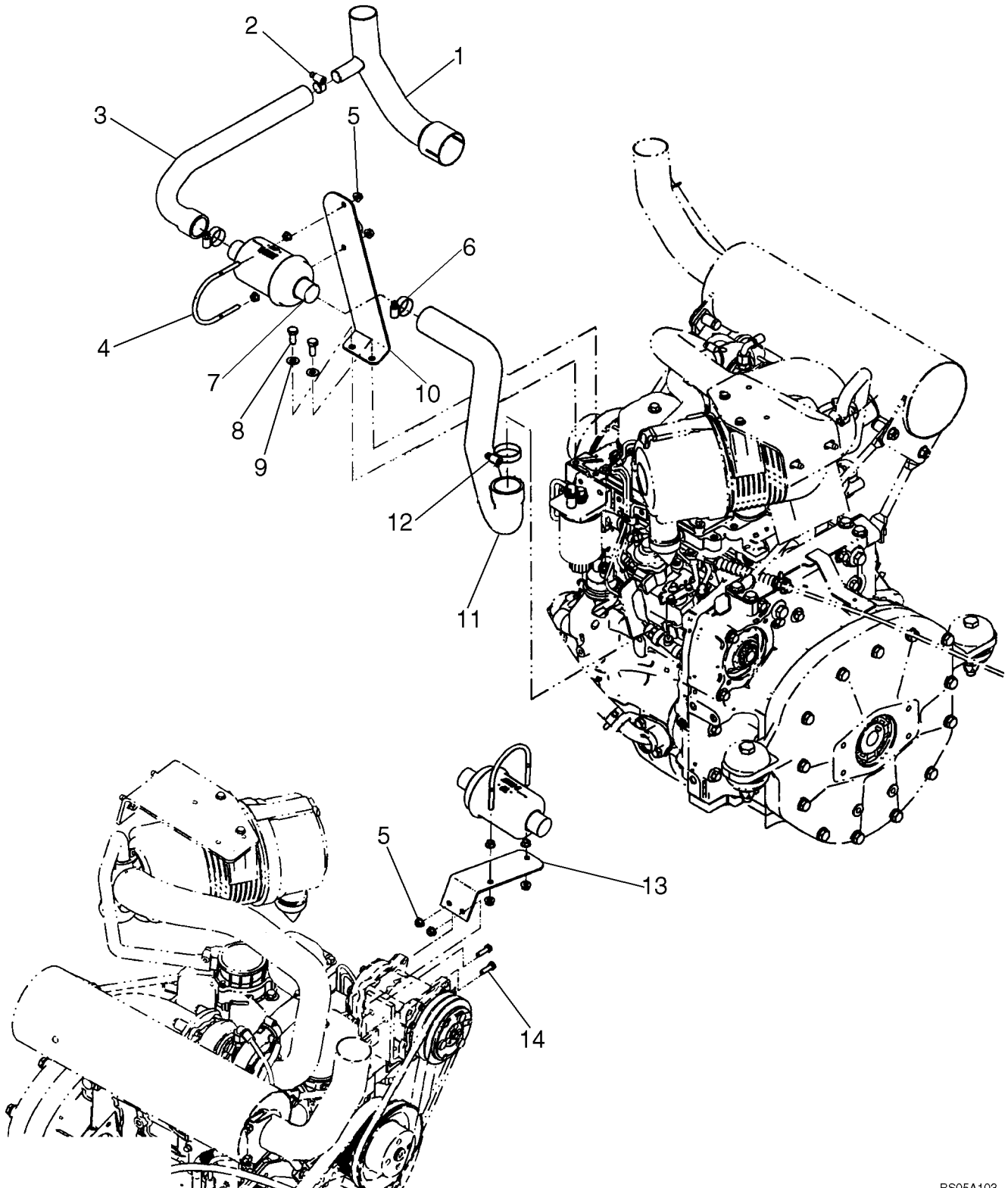


ESCAPE
 ESCAPAMENTO
 UITLAATSYSTEEM
 UDSSTØDNINGSSYSTEM

R	N	P.N.	MOD	Q	Description Denominacion	Descrizione Denominação	Description Beschrijving	Bezeichnung Beskrivelse	L.C.
1		87033358		1	ROD Muffler Support VARILLA	ASTA HASTE	TRINGLE STANG	STANGE STANG	090A
2		87033359		1	ROD Muffler Mounting VARILLA	ASTA HASTE	TRINGLE STANG	STANGE STANG	090A
3		87033357		1	ROD Muffler Support VARILLA	ASTA HASTE	TRINGLE STANG	STANGE STANG	090A
4		87054821		1	ROD Muffler Support; Replaces 87033356 VARILLA	ASTA HASTE	TRINGLE STANG	STANGE STANG	090A
5		86900873		1	GASKET Muffler JUNTA HERMETICA	GUARNIZIONE JUNTA	JOINT DICHTINGSSTUK	DICHTUNG, FLACH PAKNING	123G
6		87024465		1	MUFFLER Assy SILENCIADOR	SILENZIATORE SILENCIADOR	SILENCIEUX KNALPOT	AUSPUFFTOPF LYDDAEMPER	160S
7		87779416		8	SPACER SEPARADOR	DISTANZIALE ESPACADOR	ENTRETOISE AFSTANDSRING	DISTANZSTÜCK AFSTANDSSTYKKE	075D
8		80043130		4	SCREW M8 x 50 TORNILLO	VITE PARAFUSO	VIS SCHROEF	SCHRAUBE SKRUE	040V
9		80043249		4	SCREW M10 x 50 TORNILLO	VITE PARAFUSO	VIS SCHROEF	SCHRAUBE SKRUE	040V
10		{411345A1}		4	NUT M10 TUERCA	DADO PORCA	ECROU MOER	MUTTER MØTRIK	5780
11		80140045		5	WASHER, LOCK ARANDELA DE FRENO	ROSETTA DI SICUREZZA/ ANILHA DE FIXACAO	RONDELLE FREIN VEERRING	SPRENGRING LAASESKIVE	132R
12		80140045		1	WASHER, LOCK ARANDELA DE FRENO	ROSETTA DI SICUREZZA/ ANILHA DE FIXACAO	RONDELLE FREIN VEERRING	SPRENGRING LAASESKIVE	132R
13		80280854		1	SCREW M14 x 35 TORNILLO	VITE PARAFUSO	VIS SCHROEF	SCHRAUBE SKRUE	040V
14		80140030		1	WASHER, LOCK ARANDELA DE FRENO	ROSETTA DI SICUREZZA/ ANILHA DE FIXACAO	RONDELLE FREIN VEERRING	SPRENGRING LAASESKIVE	132R
15		87035330		1	TUBE Exhaust TUBO	TUBETTO TUBO	TUBE BUISJE	LEITUNG RØR	195T
16		80043140		1	SCREW M10 x 30 TORNILLO	VITE PARAFUSO	VIS SCHROEF	SCHRAUBE SKRUE	040V
17		80322358		4	WASHER, LOCK ARANDELA DE FRENO	ROSETTA DI SICUREZZA/ ANILHA DE FIXACAO	RONDELLE FREIN VEERRING	SPRENGRING LAASESKIVE	132R
18		80043127		1	SCREW M8 x 25 TORNILLO	VITE PARAFUSO	VIS SCHROEF	SCHRAUBE SKRUE	040V
19		80120070		1	SCREW M12 x 70 TORNILLO	VITE PARAFUSO	VIS SCHROEF	SCHRAUBE SKRUE	040V
20		87438233		1	PIPE Exhaust Extension CUELLO DE CARGA	TUBO TUBO DE ENCHIMENTO	TUYAU OPVULPIJP	ROHR PAAFYLDNINGSTUDS	200T
21		87779416		1	SPACER SEPARADOR	DISTANZIALE ESPACADOR	ENTRETOISE AFSTANDSRING	DISTANZSTÜCK AFSTANDSSTYKKE	075D
22		80088206		3	SCREW 3/8 x 1 TORNILLO	VITE PARAFUSO	VIS SCHROEF	SCHRAUBE SKRUE	040V
23		87779394		1	CLAMP COLLAR	MORSETTO BRACADEIRA	COLLIER CLAMP	SHELLE CLAMP	1640

LS185.B LT185.B

MUFFLER - ASPIRATED
MARMITTA - ASPIRATORE
SILENCIEUX - ASPIRATEUR
SCHALLDÄMPFER - SAUGGEBLÄSE

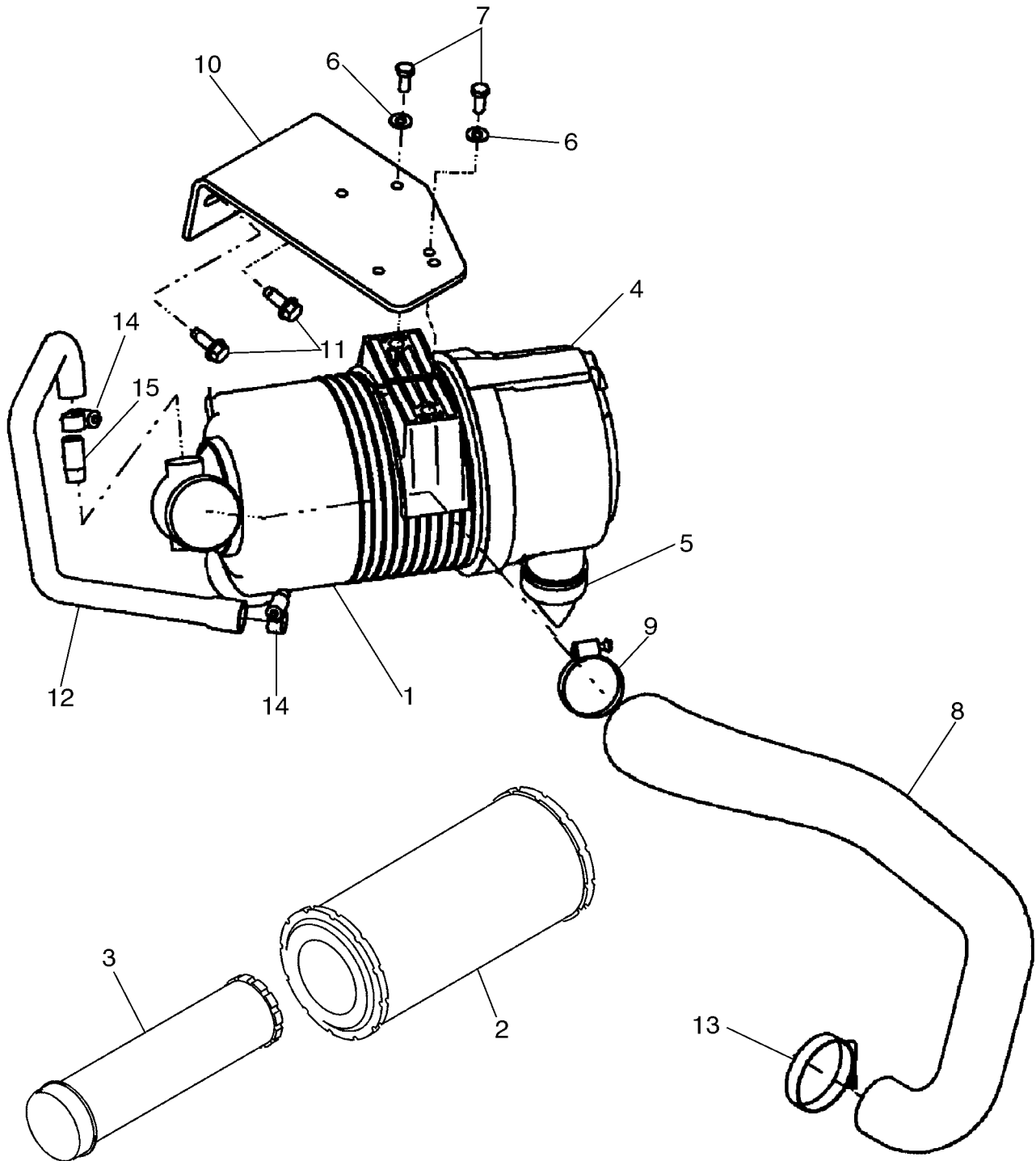


SILENCIADOR - ASPIRADOR
 SILENCIADOR - ASPIRADOR
 KNALPOT - ZUIGPOMP
 LYDDÆMPER - ASPIRATOR

R	N	P.N.	MOD	Q	Description Denominacion	Descrizione Denominação	Description Beschrijving	Bezeichnung Beskrivelse	L.C.
1		{87050592}		1	PIPE Aspirator CUELLO DE CARGA	TUBO TUBO DE ENCHIMENTO	TUYAU OPVULPIJP	ROHR PAAFYLDNINGSSTUDS	200T 120M
2		{507586}		1	CLAMP Type F # 20 BORNE	MORSETTO BORNE	BRIDE KLEM	KLEMME SPÆNDEBÅND	120M
3		{87047596}		1	Hose				
4		{87043330}		1	U-BOLT HORQUILLA	CAVALLOTTO MOLA DE ENGATE	CAVALIER VEERKLEM	U-BOLZEN HAARNAAL	P611
5		89804277		6	NUT M8 TUERCA	DADO PORCA	ECROU MOER	MUTTER MOETRIK	010D
6		{84674}		2	CLAMP Type F # 28 BORNE	MORSETTO BORNE	BRIDE KLEM	KLEMME SPÆNDEBÅND	120M
7		{90-7640T1}		1	VALVE Check VALVULA	VALVOLA VALVULA	VALVE VALVE	VENTIL VALVE	P468
8		80043139		2	SCREW M10 x 25 TORNILLO	VITE PARAFUSO	VIS SCHROEF	SCHRAUBE SKRUE	040V
9		80140045		2	WASHER, LOCK 10 ARANDELA DE FRENO	ROSETTA DI SICUREZZA/ ANILHA DE FIXACAO	RONDELLE FREIN VEERRING	SPRENGRING LAASESKIVE	132R
10		{87037817}		1	BRACKET PIEZA DE SOPORTE	STAFFA BRACADEIRA	PATTE FIXATION STEUNBEUGEL	HALTERUNG BESLAG	225S
11		{87047595}		1	HOSE Aspirator Intake MANGA	MANICOTTO FLESSIBILE TUBO FLEXIVEL	FLEXIBLE FLEXIBELE BUIS	SCHLAUCH SLANGE	030M
12		86624194		1	CLAMP Type F # 36 BORNE	MORSETTO BORNE	BRIDE KLEM	KLEMME SPÆNDEBÅND	120M
13		{87047397}		1	ANGLE PIEZ ANGULAR	CANTONALE ESQUADRO	CORNIERE HOEKSTUK	WINKEL VINKELSTYKKE	057C
14		80043127		2	SCREW M8 x 25 TORNILLO	VITE PARAFUSO	VIS SCHROEF	SCHRAUBE SKRUE	040V

LS185.B LT185.B

AIR CLEANER - ENGINE
FILTRO DELL'ARIA - MOTORE
FILTRE A AIR - MOTEUR
LUFTFILTER - MOTOR

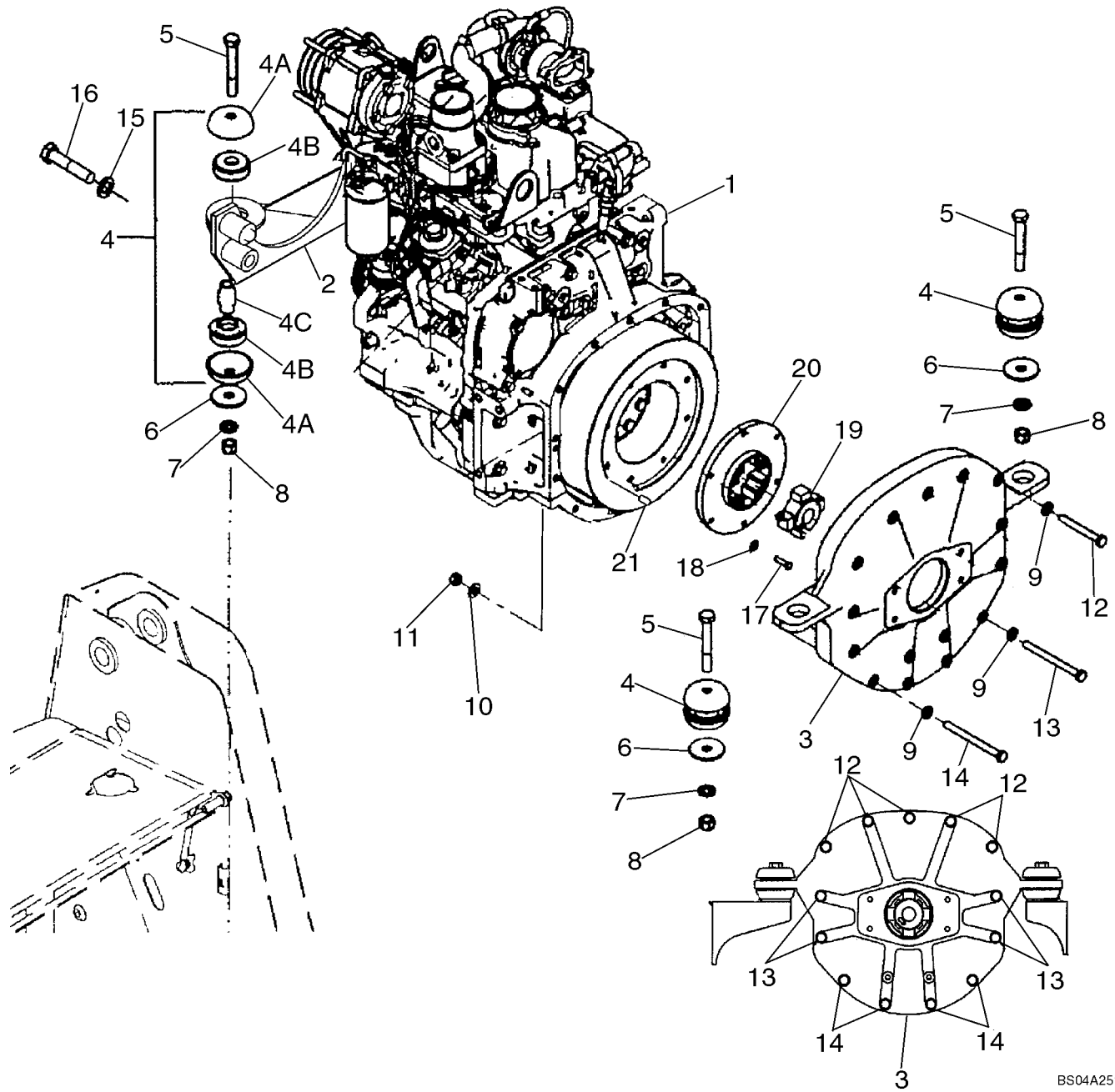


FILTRO DE AIRE - MOTOR
 FILTRO DE AR - MOTOR
 LUCHTFILTER - MOTOR
 LUFTFILTER - MOTOR

R	N	P.N.	MOD	Q	Description Denominacion	Descrizione Denominação	Description Beschrijving	Bezeichnung Beskrivelse	L.C.
		87042494		1	FILTER, AIR Air Cleaner; Incl. 1 - 5	FILTRO ARIA	FILTRE A AIR	LUFTFILTER	066F
1		{NSS}		1	FILTRO DE AIRE	FILTRO DE AR	LUCHTFILTER	LUFTFILTER	
				1	NOT SERVICED SEPARATELY Body	NON FORNITO SEPARATA	NON FOURNI SEPARÉ	KEIN ERSATZTEIL	064N
2		86982522		1	FILTER, ELEMENT Primary	ELEMENTO DEL FILTRO	ELÉMENT FILTRANT	FILTERELEMENT	020E
3		86982523		1	FILTER, ELEMENT Secondary	ELEMENTO DEL FILTRO	ELÉMENT FILTRANT	FILTERELEMENT	020E
4		87779412		1	COVER, FILTER Incl. 4A	COPERCHIO FILTRO	COUVERCLE DE FILTRE	FILTERDECKEL	Z316
4A		{86990981}		1	TAPA DE FILTRO	TAMPA FILTRO	COVER, FILTER	DÆKLAGSFILTER	
				1	TAB, LOCKING Not Illustrated Separately	DISPOSITIVO DI CHIUSURA	DISPOSITIF DE FERMETURE	RIEGEL	071D
5		87772898		1	DISP. DE CIERRE	DISPOSITIVO DE FECHURA	SLUITSYSTEEM	LAASEANORDNING	
6		80322358		2	POPPET, VALVE	VALVOLA A FUNGO	CLAPET	VENTILKEGEL	P048
				2	VÁLVULA DE PASO	VALVULA	POPPET, VALVE	DOKVENTIL	
7		80043127		2	WASHER, LOCK	ROSETTA DI SICUREZZA	RONDELLE FREIN	SPRENGRING	132R
				2	ARANDELA DE FRENO	ANILHA DE FIXAÇÃO	VEERRING	LAASESKIVE	
8		86900555		1	SCREW M8 x 25	VITE	VIS	SCHRAUBE	040V
				1	TORNILLO	PARAFUSO	SCHROEF	SKRUE	
9		80045014		1	HOSE, LARGE	TUBO FLESSIBILE,GRDE	Durite	SCHLAUCH, GROSS	Z336
				1	Manguito	MANGOTE	HOSE, LARGE	HOSE, LARGE	
10		87010311		1	CLAMP Type F #40	MORSETTO	BRIDE	KLEMME	120M
				1	BORNE	BORNE	KLEM	SPÆNDEBÅND	
11		80280476		1	BRACKET	STAFFA	PATTE FIXATION	HALTERUNG	225S
				2	PIEZA DE SOPORTE	BRACADEIRA	STEUNBEUGEL	BESLAG	
12		87038366		1	SCREW, SELF TAPPING 3/8 x 1.00	VITE AUTOFILETTANTE	VIS AUTO-TARAUDEUSE	SCHRAUBE, SELBSTSCHNEIDEND	062V
				1	TORNILLO AUTOROSCA	PARAFUSO	ZELFTAPPENDE SCHROEF	BOLT, SELVLAASENDES	
13		86050202		1	HOSE, LARGE	TUBO FLESSIBILE,GRDE	Durite	SCHLAUCH, GROSS	Z336
				1	Manguito	MANGOTE	HOSE, LARGE	HOSE, LARGE	
14		87779385		1	CLIP, HOSE	COLLARE	COLLIER	SCHLAUCHKLEMME	180C
				2	COLLAR	COLAR	BUIKLEM	KRAVE	
15		87779397		1	CLAMP	MORSETTO	COLLIER	SHELLE	1640
				1	COLLAR	BRACADEIRA	CLAMP	CLAMP	
				1	FITTING	RACCORDO	RACCORD	ANSCHLUSSSTÜCK	3300
				1	CONEXION	CONEXAO	FITTING	FITTING	

LS185.B LT185.B

ENGINE - MOUNTING
MOTORE - MONTAGGIO
MOTEUR - THERMIQUE SUPPORT
MOTOR - BEFESTIGUNG

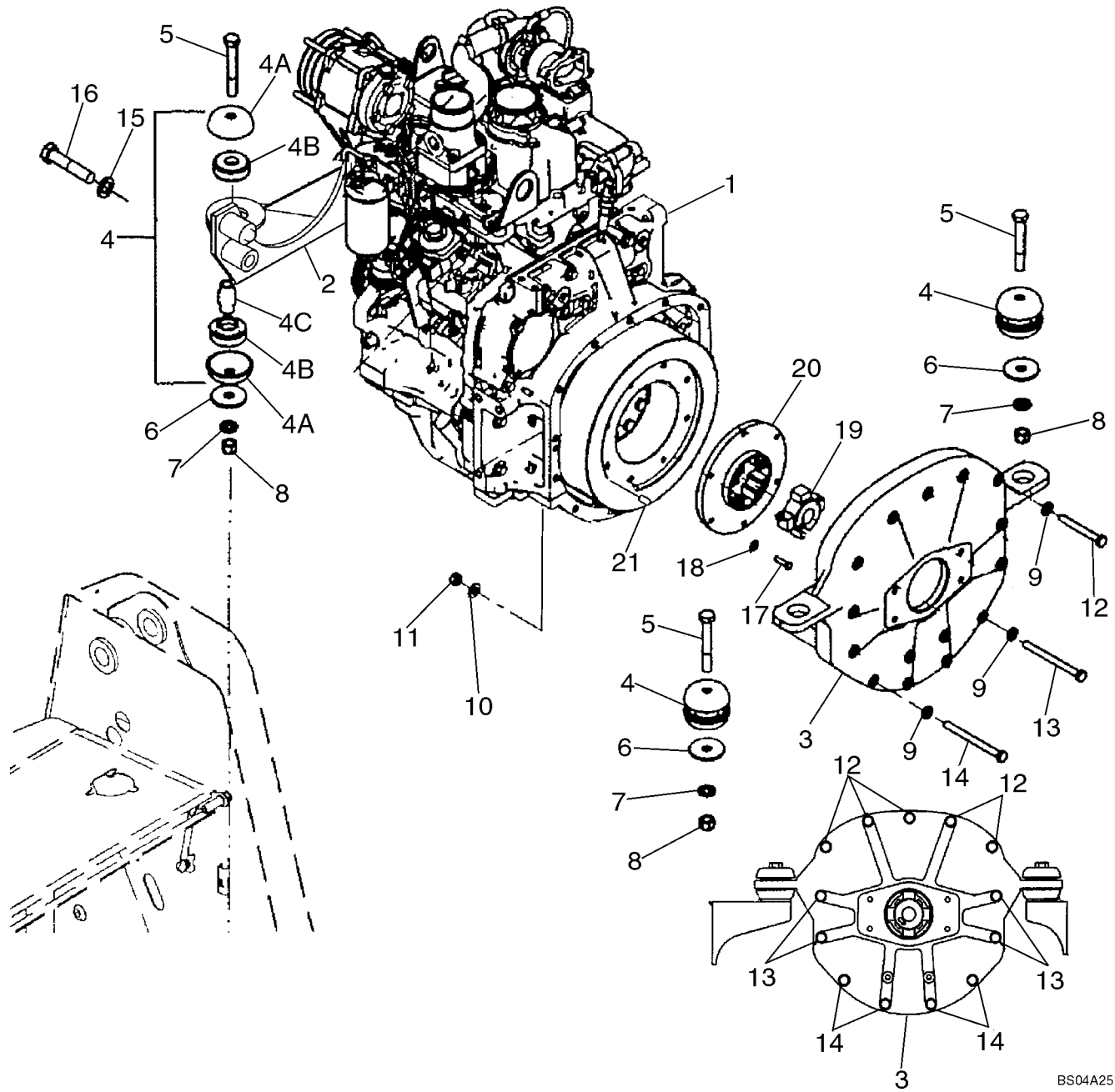


MOTOR - TERMICO SOPORTE
MOTOR - SUPORTE
MOTOR - MONTAGE
MOTOR - OPHÆNG

R	N	P.N.	MOD	Q	Description Denominacion	Descrizione Denominação	Description Beschrijving	Bezeichnung Beskrivelse	L.C.
1		{87039745}		1	ENGINE 3 Cylinder; Without Alternator	MOTORE	MOTEUR	MOTOR	130M
					MOTOR	MOTOR	MOTOR	MOTOR	
2		87041836		1	MOUNT, ENGINE SOPORTE MOTOR	SUPPORTO MOTORE SUPORTE DE MOTOR	SUPPORT MOTEUR MOTORSTEUN	MOTORAUFHÄNGUNG MOTOROPHÆNG	299S
3		{86837673}		1	ADAPTER Engine	ADATTATORE	ADAPTEUR	ADAPTER	0031
					ADAPTADOR	ADAPTADOR	VERLOOPSTUK	ADAPTER	
4		87048678		3	MOUNT, ENGINE Incl. 4A - 4C	SUPPORTO MOTORE	SUPPORT MOTEUR	MOTORAUFHÄNGUNG	299S
					SOPORTE MOTOR	SUPORTE DE MOTOR	MOTORSTEUN	MOTOROPHÆNG	
4A		86837669		2	CUP	SCODELLINO	CUVE	TASSE	060S
					TAZA	TACA	KOM	LEJESKAAL	
4B		87048686		2	ISOLATOR	DISPOSITIVO ANTIVIB	ISOLATEUR	ISOLATOR	Z082
					AISLADOR	ISOLADOR	ISOLATOR	ISOLATOR	
4C		87048677		1	SPACER	DISTANZIALE	ENTRETOISE	DISTANZSTÜCK	075D
					SEPARADOR	ESPACADOR	AFSTANDSRING	AFSTANDSSTYKKE	
5		84036080		3	SCREW M16 x 110	VITE	VIS	SCHRAUBE	040V
					TORNILLO	PARAFUSO	SCHROEF	SKRUE	
6		87032338		3	WASHER, LOCK .656 x 2.5 x .188 mm	ROSETTA DI SICUREZZA	RONDELLE FREIN	SPRENGRING	132R
					ARANDELA DE FRENO	ANILHA DE FIXACAO	VEERRING	LAESKIVE	
7		86625266		3	WASHER 17.5 x 30 x 4 mm	ROSETTA PIANA	RONDELLE	BEILAGSCHEIBE	131R
					ARANDELA	ANILHA	SLUITRING	FLADSKIVE	
8		86512555		3	NUT, LOCK M16	CONTRODADO	CONTRE-ECROU	KONTERMUTTER	P263
					CONTRA TUERCA	CONTRA PORCA	NUT, LOCK	NUT, LOCK	
9		86625255		17	WASHER 13.5 x 24 x 3 mm	ROSETTA PIANA	RONDELLE	BEILAGSCHEIBE	131R
					ARANDELA	ANILHA	SLUITRING	FLADSKIVE	
10		80140046		8	WASHER, LOCK M12	ROSETTA DI SICUREZZA	RONDELLE FREIN	SPRENGRING	132R
					ARANDELA DE FRENO	ANILHA DE FIXACAO	VEERRING	LAESKIVE	
11		89706685		6	NUT M12	DADO	ECROU	MUTTER	010D
					TUERCA	PORCA	MOER	MOETRIK	
12		86642439		5	BOLT M12 x 100	BULLONE	BOULON	SCHAUBENBOLZEN	140B
					TORNILLO	PARAFUSO	BOUT	SKRUE	
13		80309308		4	SCREW M12 x 120	VITE	VIS	SCHRAUBE	040V
					TORNILLO	PARAFUSO	SCHROEF	SKRUE	
14		80395277		2	SCREW M12 x 130	VITE	VIS	SCHRAUBE	040V
					TORNILLO	PARAFUSO	SCHROEF	SKRUE	
15		86625260		2	WASHER 22 x 37 x 4 mm	ROSETTA PIANA	RONDELLE	BEILAGSCHEIBE	131R
					ARANDELA	ANILHA	SLUITRING	FLADSKIVE	
16		{86900898}		2	BOLT M20 x 1.5 x 100	BULLONE	BOULON	SCHAUBENBOLZEN	140B
					TORNILLO	PARAFUSO	BOUT	SKRUE	
17		80043235		8	SCREW M8 x 30	VITE	VIS	SCHRAUBE	040V
					TORNILLO	PARAFUSO	SCHROEF	SKRUE	
18		80322358		8	WASHER, LOCK	ROSETTA DI SICUREZZA	RONDELLE FREIN	SPRENGRING	132R
					ARANDELA DE FRENO	ANILHA DE FIXACAO	VEERRING	LAESKIVE	
19		87024588		1	HUB	MOZZO	MOYEU	NABE	135M
					CUBO	CUBO	NAAF	NAV	
20		87024539		1	ELEMENT	ELEMENTO	ELÉMENT	ELEMENT	Z483
					ELEMENTO	ELEMENTO	ELEMENT	ELEMENT	

LS185.B LT185.B

ENGINE - MOUNTING
MOTORE - MONTAGGIO
MOTEUR - THERMIQUE SUPPORT
MOTOR - BEFESTIGUNG

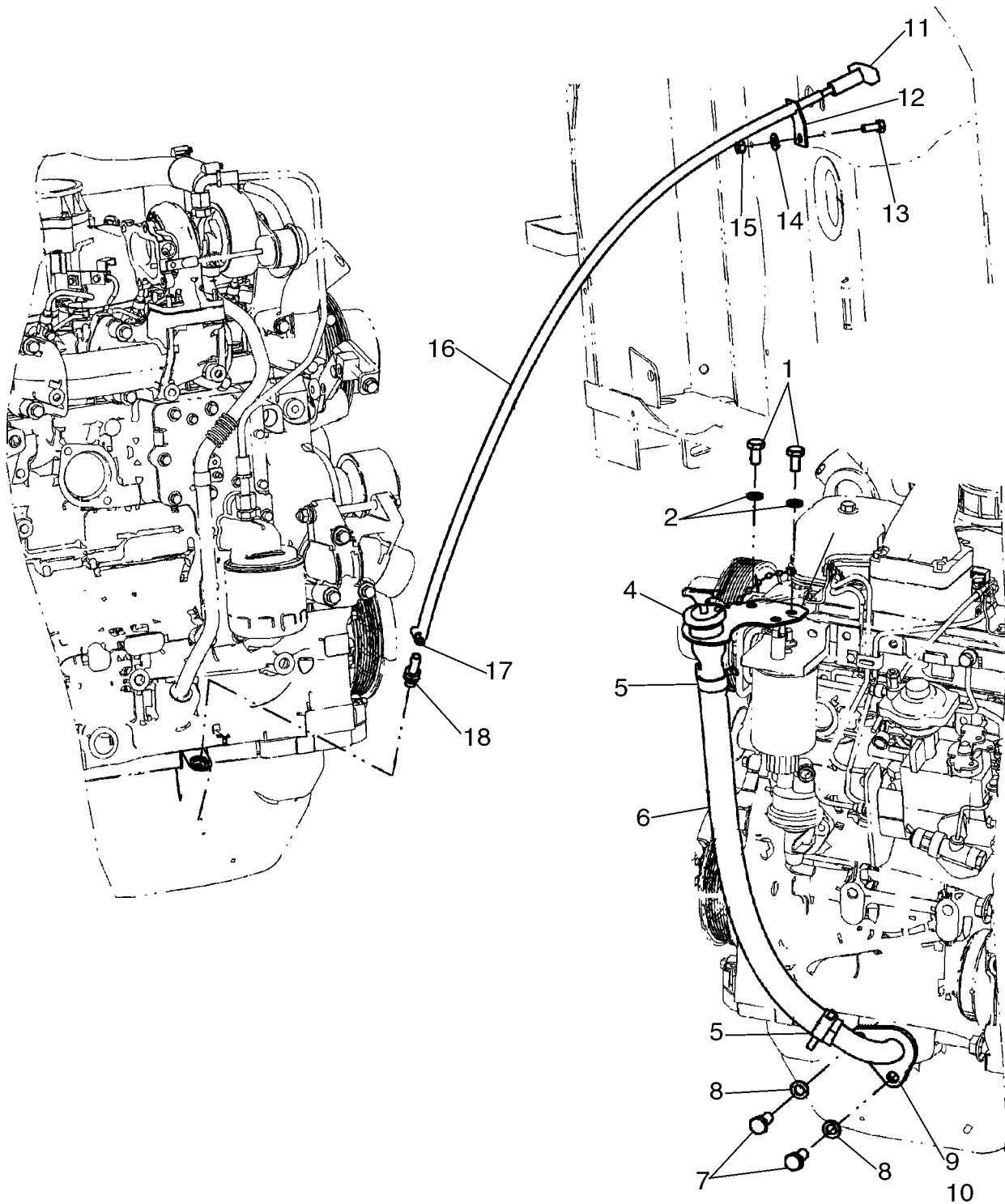


MOTOR - TERMICO SOPORTE
MOTOR - SUPORTE
MOTOR - MONTAGE
MOTOR - OPHÆNG

R	N	P.N.	MOD	Q	Description Denominacion	Descrizione Denominação	Description Beschrijving	Bezeichnung Beskrivelse	L.C.
21		{87042057}		2	PIN 10 x 20 PERNO	PERNO PERNO	AXE PEN	BOLZEN STIFT	080P

LS185.B LT185.B

OIL FILL, ENGINE
RABBOCCO DELL'OLIO MOTORE
REPLISSAGE D'HUILE, MOTEUR
ÖLEINFÜLLSTUTZEN, MOTOR



Thank you so much for reading.
Please click the “Buy Now!”
button below to download the
complete manual.



After you pay.

You can download the most
perfect and complete manual in
the world immediately.

Our support email:

ebooklibonline@outlook.com