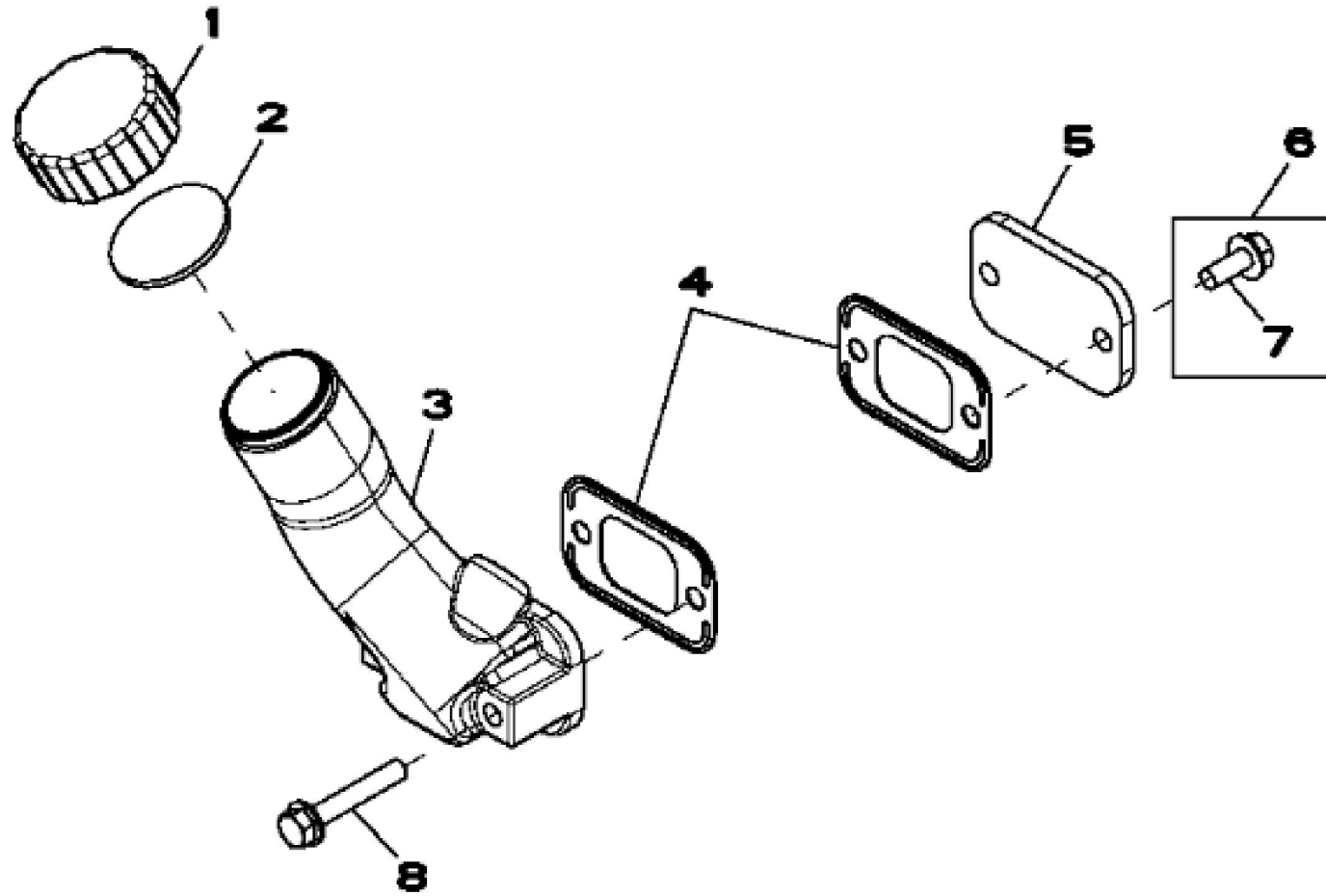


RE519871PCDB01

John Deere > Construction And Forestry >BACKHOE, LOADER >315SJ - BACKHOE, LOADER >315SJ Backhoe Loader (PIN: T0315SJ178786 - 216520) >04 ENGINE 4045TT094 >0400 ENGINE 4045TT094
4045TT094 >ST2265 - 1127 ROCKER ARM COVER

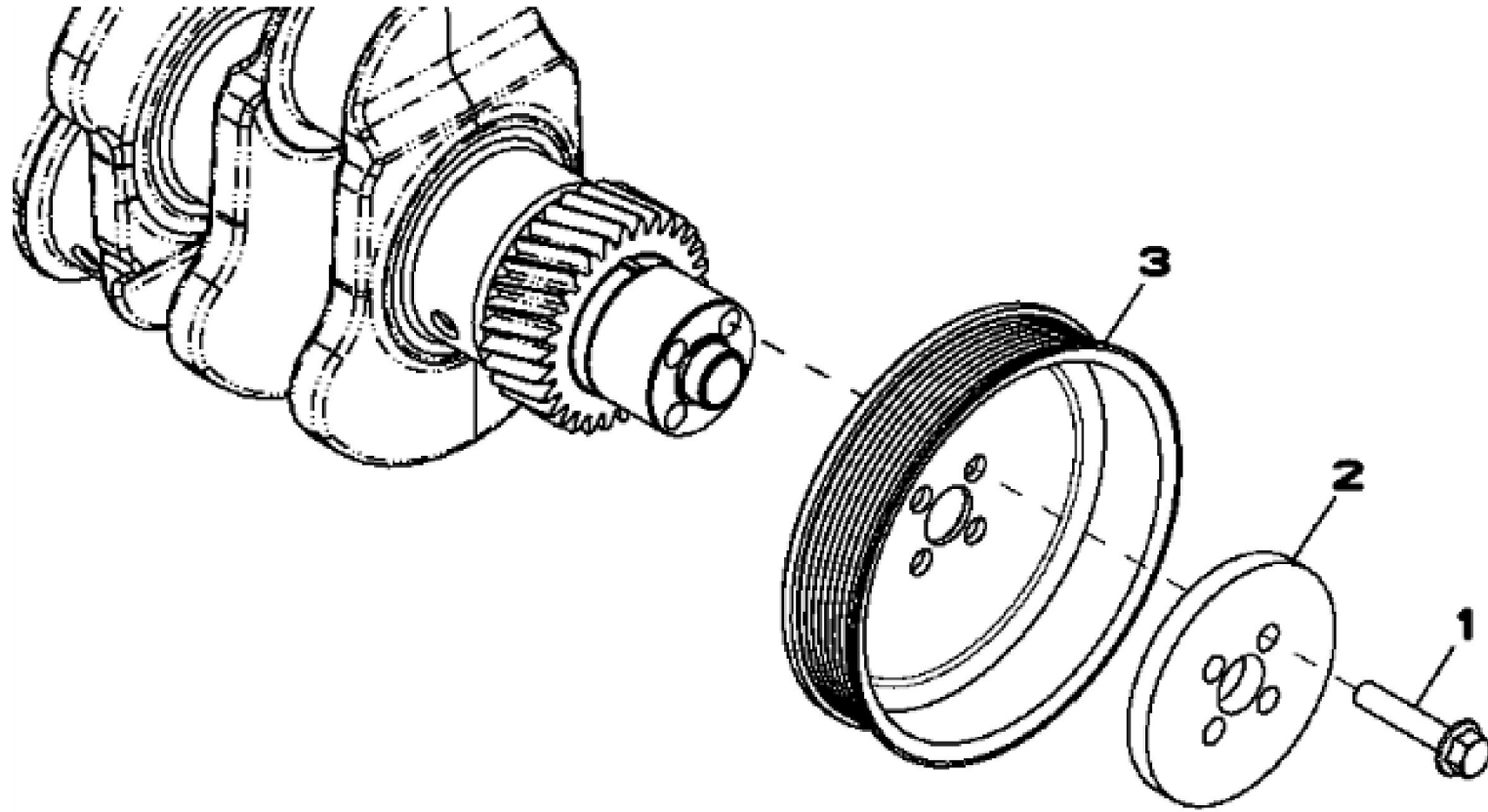
| KEY | PART NO. | PART NAME | QTY | REMARKS | |
|-----|----------|-------------|-----|----------------------|--|
| 1 | H23125 | PLUG | 4 | | |
| 2 | R123574 | NUT | 4 | | |
| 3 | R123575 | O-RING | 4 | | |
| 4 | RE502969 | VALVE COVER | 1 | (ALSO ORDER R524480) | |
| 5 | R524480 | GASKET | 1 | | |



RE515712PCDD02

John Deere > Construction And Forestry >BACKHOE, LOADER >315SJ - BACKHOE, LOADER >315SJ Backhoe Loader (PIN: T0315SJ178786 - 216520) >04 ENGINE 4045TT094 >0400 ENGINE 4045TT094 4045TT094 >ST2266 - 1229 OIL FILLER NECK

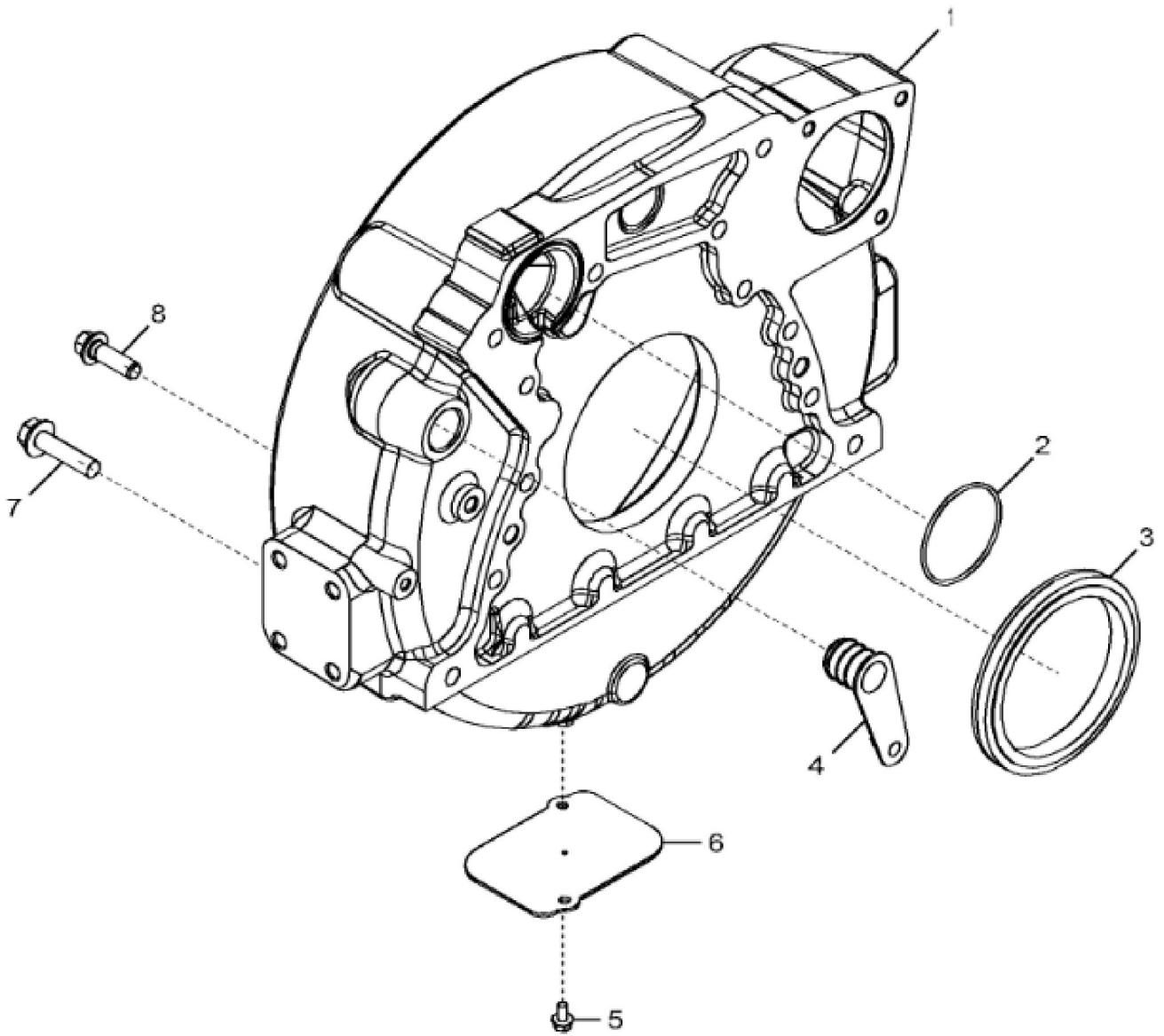
| KEY | PART NO. | PART NAME | QTY | REMARKS | |
|-----|----------|-------------|-----|-----------------------------|--|
| 1 | R80136 | FILLER CAP | 1 | | |
| 2 | R80135 | GASKET | 1 | | |
| 3 | R517353 | FILLER NECK | 1 | (SUB FOR R123558) | |
| 4 | R136495 | GASKET | 2 | | |
| 5 | R116296 | COVER | 1 | | |
| 6 | RE67238 | SCREW | 2 | W PREAPPLIED SEALANT | |
| 7 | 19M7866 | SCREW | 1 | M8 X 20 | |
| 8 | RE67240 | SCREW | 2 | (USE WITH R123558) | |
| 8 | 19M7799 | SCREW | 2 | M8 X 45, (USE WITH R517353) | |



RE 59693PCDD01

John Deere > Construction And Forestry >BACKHOE, LOADER >315SJ - BACKHOE, LOADER >315SJ Backhoe Loader (PIN: T0315SJ178786 - 216520) >04 ENGINE 4045TT094 >0400 ENGINE 4045TT094
4045TT094 >ST2267 - 1302 CRANKSHAFT PULLEY

| KEY | PART NO. | PART NAME | QTY | REMARKS | |
|-----|----------|-----------|-----|---------|--|
| 1 | R121897 | BOLT | 4 | | |
| 2 | R500649 | WASHER | 1 | | |
| 3 | R133295 | PULLEY | 1 | | |



Thank you so much for reading.
Please click the “Buy Now!”
button below to download the
complete manual.



After you pay.

You can download the most
perfect and complete manual in
the world immediately.

Our support email:

ebooklibonline@outlook.com