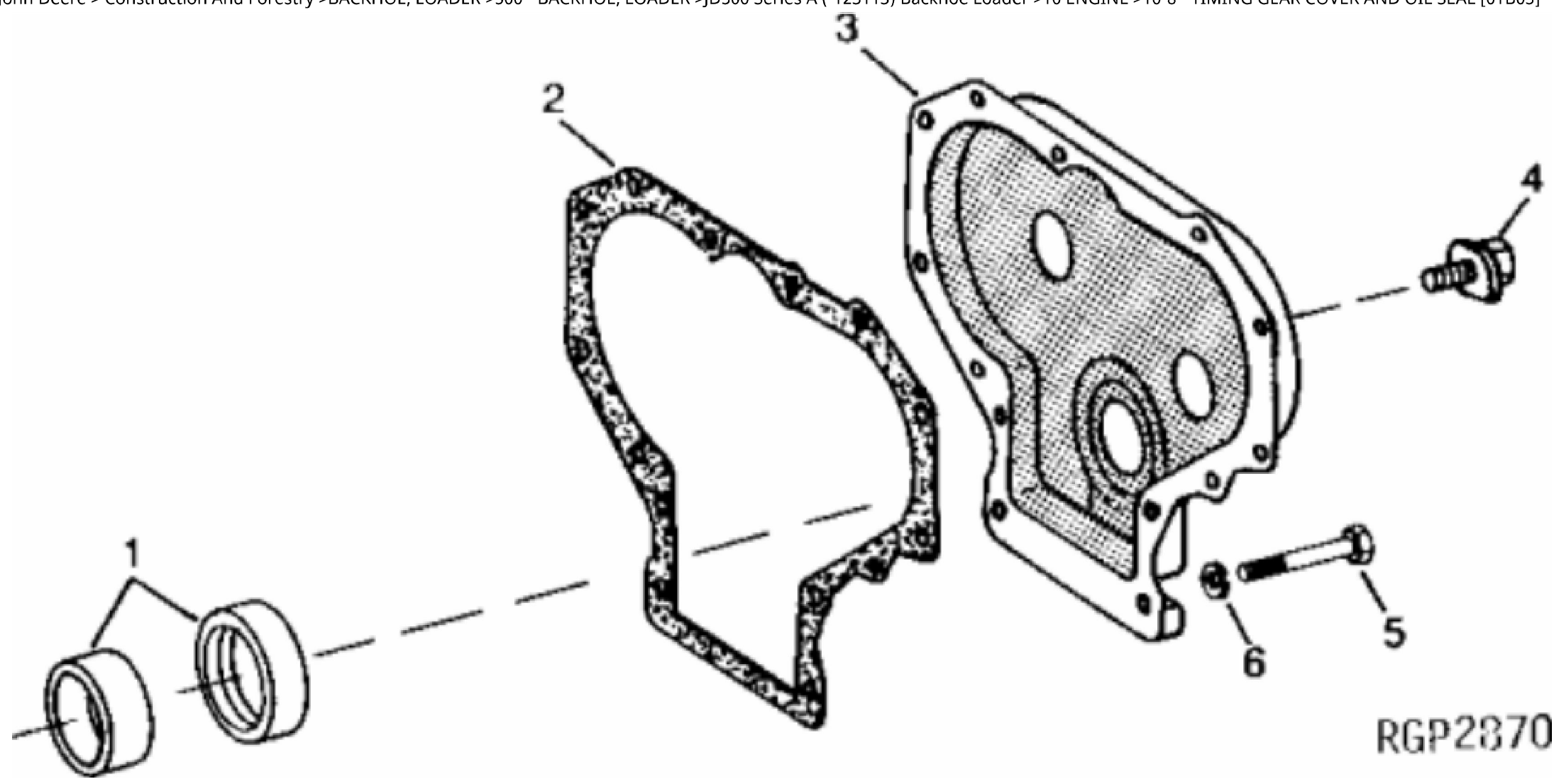


[01B03]

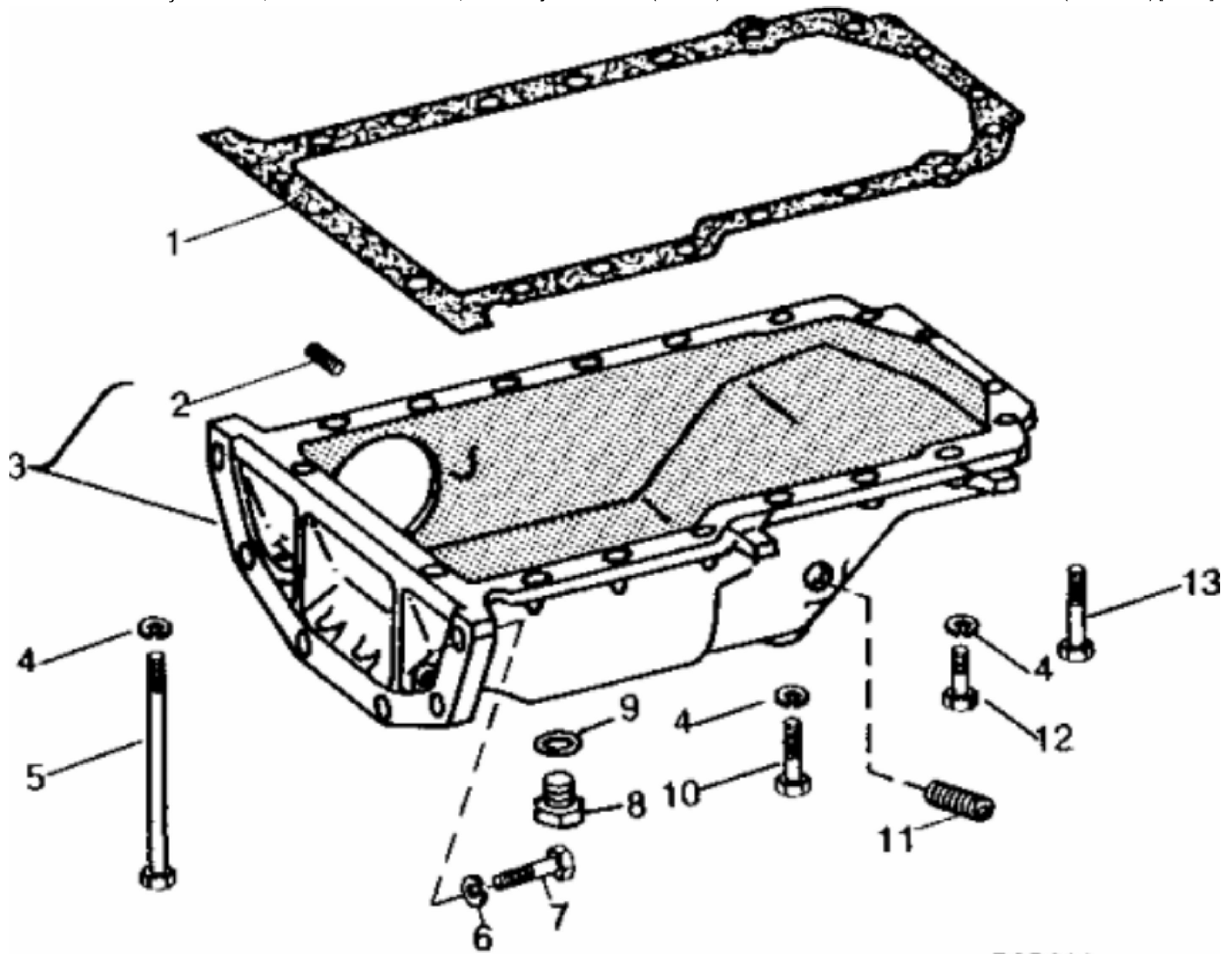
KEY	PART NO.	PART NAME	QTY	REMARKS
1	19H2705	CAP SCREW	6	5/16" X 1"
1	R47074	CAP SCREW	6	(USE WITH BLOCK MARKED R46430)
2	R35128	LOCK PLATE	6	(SUB FOR T13857)
3	R41406	HOUSING	1	
4	R26058	GASKET	1	
5	AR63095	SEAL	1	
6	R43634	DOWEL PIN	1	(USE WITH BLOCK MARKED R46430)
7	R26115	PLUG	1	
8	F1743R	DOWEL PIN	5	
9	15H623	PIPE PLUG	1	3/8"
10	AR70645	O-RING KIT	4	(USE WITH BLOCK MARKED R46430)
11	AR68650	KIT	4	(USE WITH BLOCK MARKED R46430)
12	AR44382	DRAIN VALVE	1	(USE WITH BLOCK MARKED R46430)
13	AR40751	DIPSTICK	1	(USE WITH BLOCK MARKED R46430)
14	A4730R	O-RING	2	(USE WITH AR40751)
15	R48685	DOWEL PIN	2	(SUB FOR R26241, THIS APPLICATION)
16	.....	CYLINDER BLOCK	1	WITH LINERS, BALANCER HOUSING, DIPSTICK, CAM FOLLOWERS, PUSH RODS, CYLINDER HEAD SCREWS AND WASHERS, CAMSHAFT, THRUST PLATE, BUSHINGS, STUDS, PLUGS, AND DOWEL PINS, ( AR48625 NO LONGER AVAILABLE) (MARKED R46430)
17	19H3239	CAP SCREW	3	3/8" X 1-1/4"
18	12H304	LOCK WASHER	3	3/8"
19	R42493	COVER	1	
20	.....	GASKET	1	( R42494 - NO LONGER AVAILABLE)
21	R27175	DRAIN PLUG	1	(OIL COOLER RETURN LINE HOLE IN BLOCK)
22	U12547	O-RING	1	(SUB FOR F3171R) (OIL COOLER RETURN LINE HOLE IN BLOCK)
23	R41070	TUBE	1	(USE WITH BLOCK MARKED R46430)
24	K3083R	STUD	2	7/16" X 1-3/4"
25	M3636T	STUD	2	3/8" X 1-1/2"
26	AT85174	SWITCH	1	(SUB FOR AR27977)
27	R21630	PIPE PLUG	5	
28	34H366	SPRING PIN	2	1/2" X 1"

KEY	PART NO.	PART NAME	QTY	REMARKS	
29	15H638	PIPE PLUG	1	1/8"	
30	15H571	PIPE PLUG	1	3/8"	
31	15H638	PIPE PLUG	1	1/8"	
32	R46192	GASKET	1		
33	R26825	COVER	1		
34	19H2284	CAP SCREW	2	3/8" X 7/8"	
35	14H785	NUT	2	5/16"	
36	12H303	LOCK WASHER	2	5/16"	
37	R48755	STUD	2	5/16" X 1-1/2"	
38	R1612R	DOWEL PIN	2		
39	15H561	PIPE PLUG	1	1/2", (USE WITH BLOCK MARKED R46430)	



RG2370

KEY	PART NO.	PART NAME	QTY	Engine Serial No.	REMARKS
1	.....	SEAL	1	____-036699	(FACE TYPE) ( AR27354 NO LONGER AVAILABLE) (SUB AR69984)
1	AR49025	SEAL	1	036700-____	(LIP TYPE) (SUB FOR AR31882, AR47891 AND AR48728)
2	R26084	GASKET	1		
3	AR69984	COVER	1		(SUB FOR AR31934, AR44390, AR26636, AR31536 OR AR31537)
4	AR27703	SCREW	11		
5	19H2661	CAP SCREW	2		5/16" X 1-3/8"
5	12H303	LOCK WASHER	2		5/16"



RGP321

KEY	PART NO.	PART NAME	QTY	Engine Serial No.	REMARKS
1	R71917	GASKET	1		(SUB FOR R27314, R34615 OR R42423)
2	D2420R	STUD	4		
3	AR30303	OIL PAN	1	____-305635	(MARKED R27316 OR R31221) (SUB AR94559) (SUB FOR AR27557)
3	.....	OIL PAN	1	305636-____	(MARKED R71908) (AR94666 NO LONGER AVAILABLE) (SUB R71908 AND (4) D2420R)
4	12H304	LOCK WASHER	16		3/8"
5	19H3041	CAP SCREW	2	____-305635	(A) 3/8" X 6"
5	19H3562	CAP SCREW	2	305636-____	(B) 3/8" X 6-1/8", (GR. G)
6	12H301	LOCK WASHER	6		1/2"
7	19H2473	CAP SCREW	6		1/2" X 1-3/4"
8	R26727	DRAIN PLUG	1		
9	A4827R	WASHER	1		
10	19H3483	CAP SCREW	14	____-305635	(A) 3/8" X 1-1/8"
10	19H3267	CAP SCREW	13	305636-____	(B) 3/8" X 1-5/8"
11	15H665	PIPE PLUG	1		3/4"
12	19H3483	CAP SCREW	1	305636-____	(B) 3/8" X 1-1/8"
13	R27693	SCREW	2	____-305635	(A)
13	R73445	SCREW	2	305636-____	(B)

Thank you so much for reading.  
Please click the “Buy Now!”  
button below to download the  
complete manual.



After you pay.

You can download the most  
perfect and complete manual in  
the world immediately.

Our support email:

[ebooklibonline@outlook.com](mailto:ebooklibonline@outlook.com)