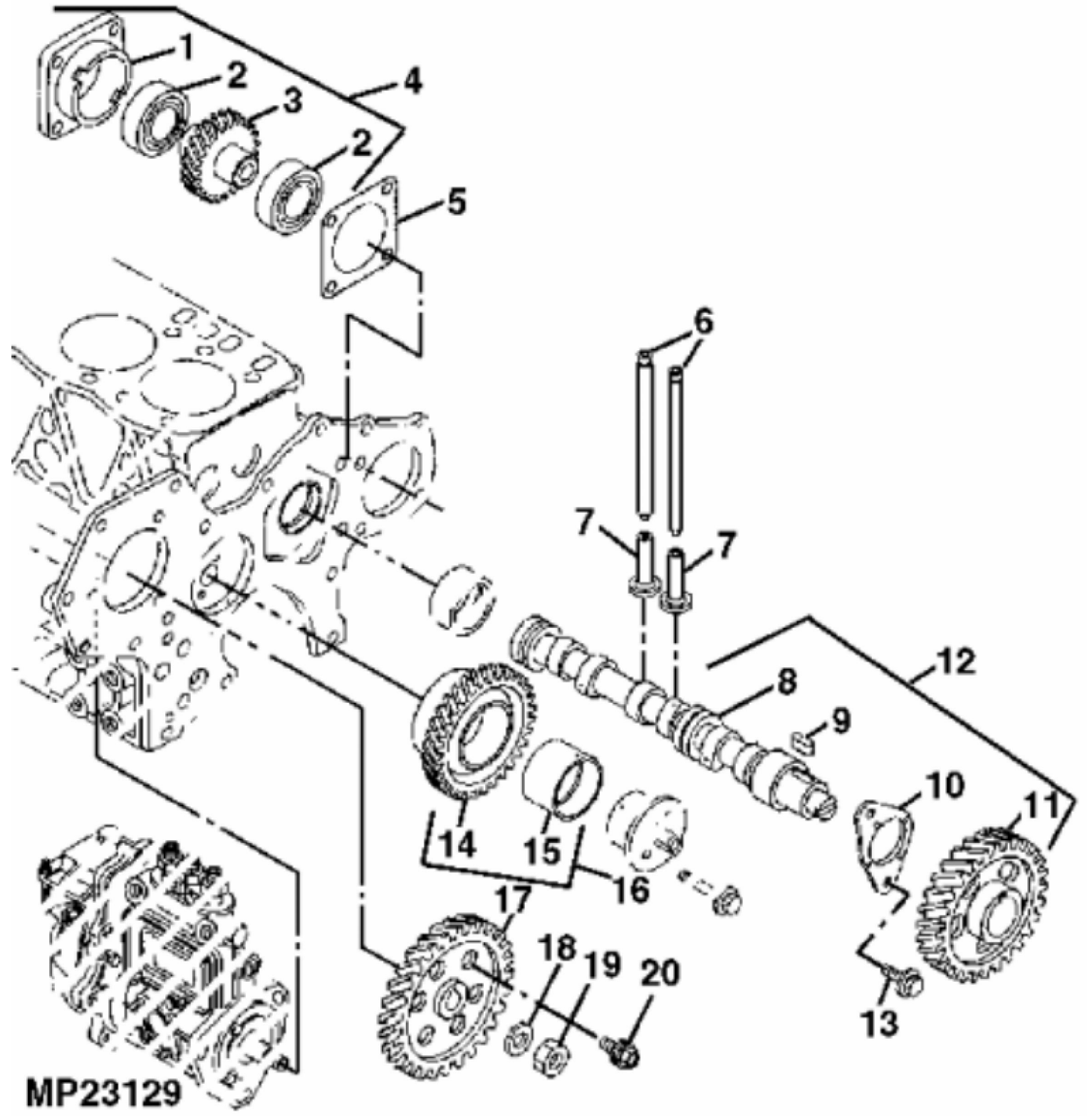
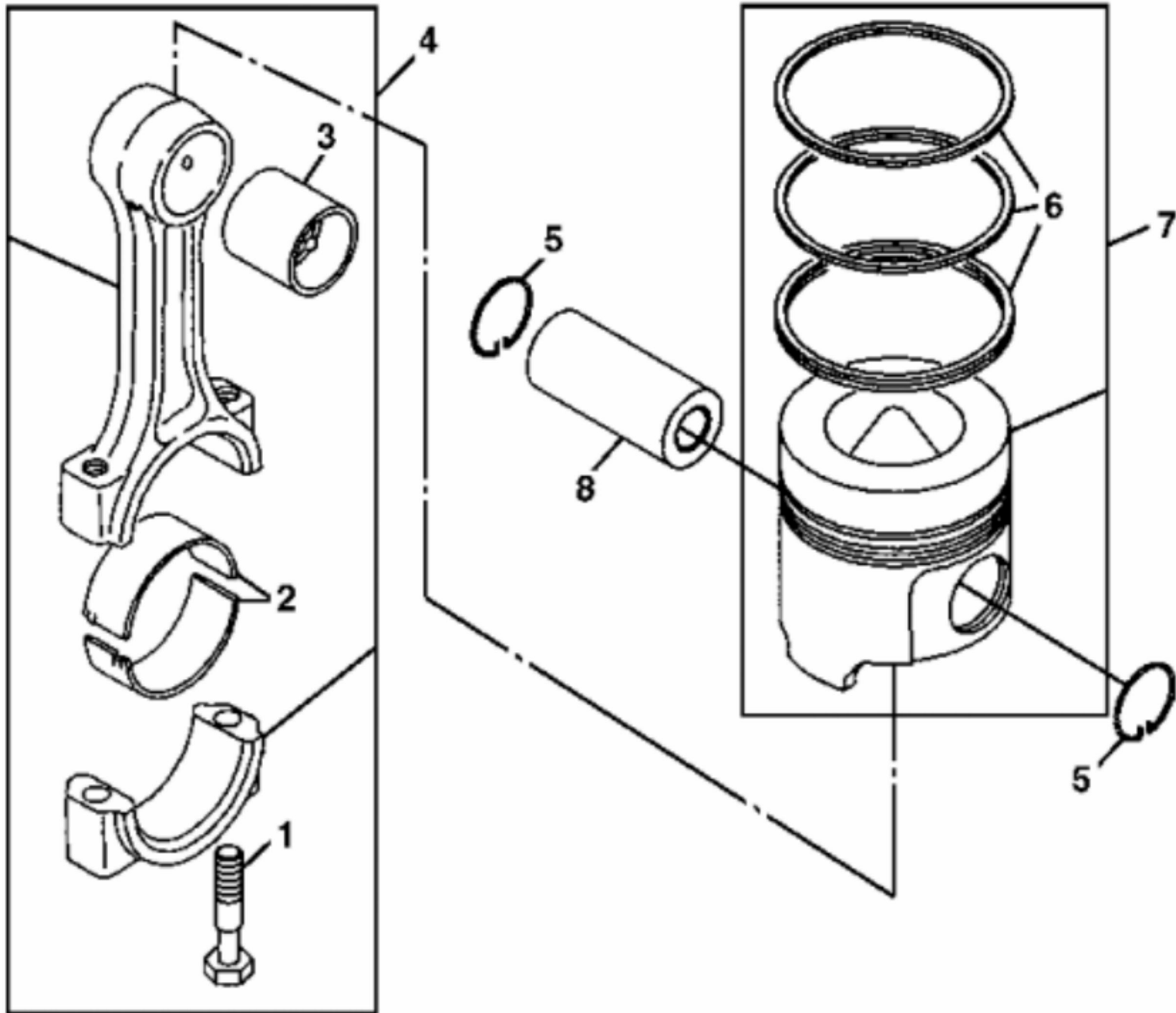


KEY	PART NO.	PART NAME	QTY	REMARKS	
1	CH10348	NUT	3		
2	CH10568	PACKING	3		
3	19M7865	BOLT	2		
4	M801031	CAP	1		
5	M801033	PLATE	1		
6	M801034	O-RING	1		
7	M801032	DEFLECTOR	1		
8	M804268	HOSE	1	BREATHER	
9	M805710	CAP	1		
10	M805711	PACKING	1		
11	M801741	GASKET	1		
12	AT110858	VALVE COVER	1		

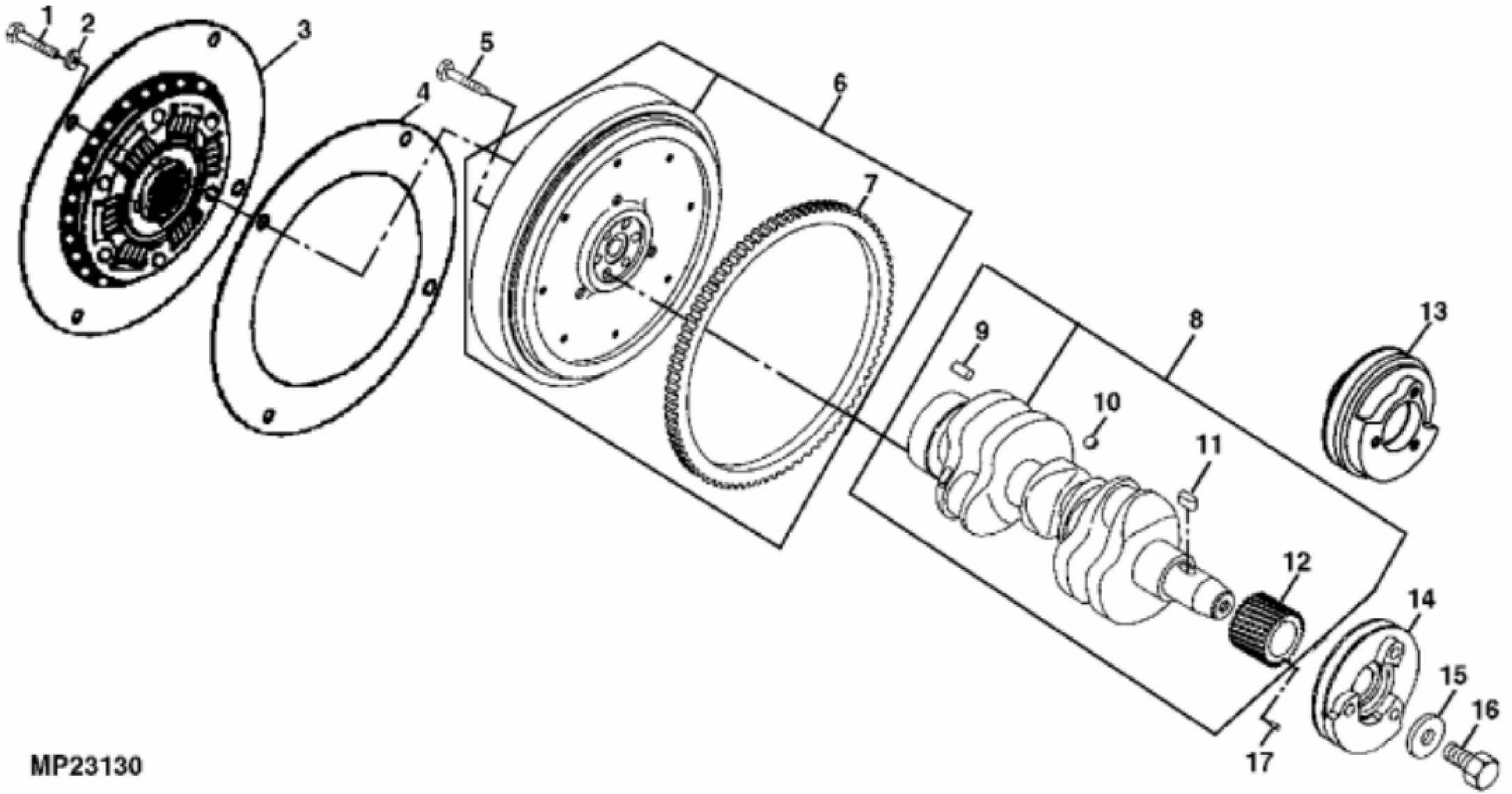


KEY	PART NO.	PART NAME	QTY	REMARKS
1	M802618	BRACKET	1	
2	CH13505	BALL BEARING	2	
3	GEAR	1	
4	AM876339	GEAR	1	H.O. PUMP
5	M805840	GASKET	1	
6	M801238	PUSH ROD	6	
7	M801046	CAM FOLLOWER	6	
8	CAMSHAFT	1	
9	M801045	SHAFT KEY	1	
10	THRUST BEARING	1	
11	M801044	GEAR	1	
12	AM876430	CAMSHAFT	1	
13	CH19780	BOLT	2	
14	GEAR	1	IDLE
15	M801050	BUSHING	1	
16	AM875315	GEAR	1	
17	M801239	GEAR	1	FUEL INJECTION PUMP
18	12M7067	LOCK WASHER	1	12 mm
19	14M7275	NUT	1	M12
20	BOLT	4	(ENGINE MARKED 3TNE84-EJTS)



MP18666

KEY	PART NO.	PART NAME	QTY	REMARKS	
1	CH15483	BOLT	2		
2	MIA880563	BEARING	1	STD, (SUB FOR AM875392)	
2	MIA880568	BEARING	1	.25 MM (.010") US, (SUB FOR AM875395)	
3	M801256	BEARING	1		
4	AM875391	CONNECTING ROD	3		
5	M806457	CLIP	6		
6	AM878555	PISTON RING KIT	1	STD	
6	AM878599	PISTON RING KIT	1	.25 MM (.010") OS	
7	AM878606	PISTON	3	STD (ENGINE MARKED 3TNE84-JT43)	
7	AM878598	PISTON	3	.25 MM (.010") OS, (ENGINE MARKED 3TNE84-JT43)	
7	AM880366	PISTON	3	STD (ENGINE MARKED 3TNE84-EJTS)	
7	AM880566	PISTON	3	.25 MM (.010") OS, (ENGINE MARKED 3TNE84-EJTS)	
8	M806456	PISTON PIN	3		



MP23130

Thank you so much for reading.
Please click the “Buy Now!”
button below to download the
complete manual.



After you pay.

You can download the most
perfect and complete manual in
the world immediately.

Our support email:

ebooklibonline@outlook.com